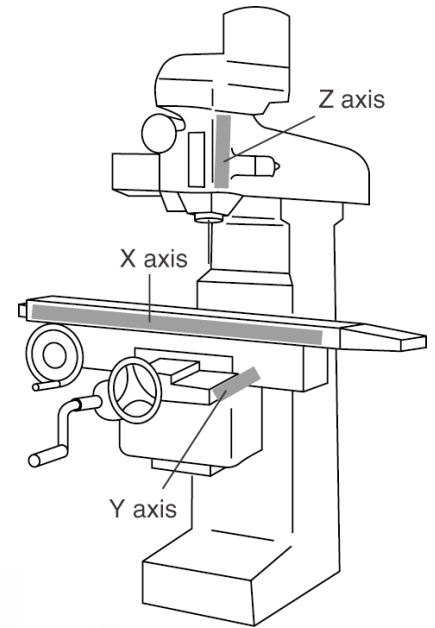


Milling Packages

Electro-Magnetic ABSOLUTE DRO Packages for Milling Machines
Using KA-200 Counter and AT715 Linear Scales



2 Axis, KA-200 Counter Milling System

Package Includes:

- KA-200 Counter
- AT715 Electro-Magnetic Absolute Linear Scales
- Brackets for Linear Scales
- Display Arm Kit



2 Axis Milling Machine System Packages

X Axis Travel (AT715 Slim Electromagnetic)	Y Axis Travel (AT715 Slim Electromagnetic)			
	12" (539-805)	14" (539-806)	16" (539-806)	18" (539-808)
24" (539-811)	64PKA170	64PKA172		
30" (539-814)	64PKA058A	64PKA060A	64PKA175	-
32" (539-815)		64PKA169	64PKA176	
36" (539-816)	64PKA059A	64PKA168	64PKA062A	64PKA178
40" (539-817)	64PKA171	64PKA061A	64PKA063A	64PKA064A
44" (42") (539-815)	64PKA173		64PKA177	

Milling Packages

Electro-Magnetic ABSOLUTE DRO Packages for Milling Machines

3 Axis (Quill) - AT715 Slim Electromagnetic for all axes

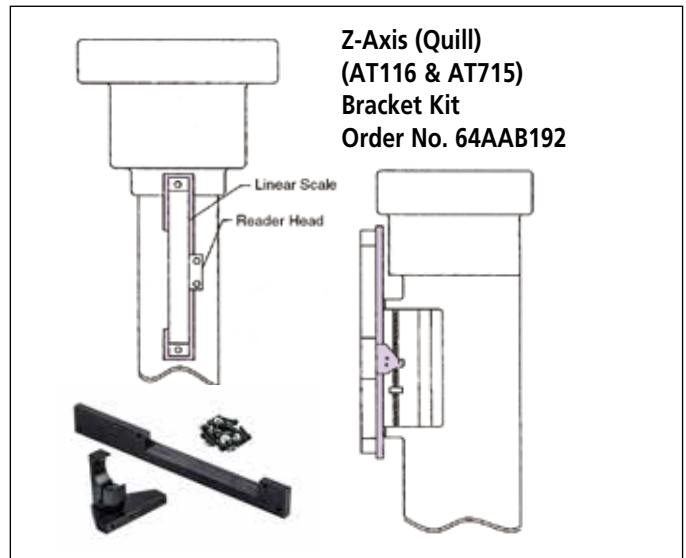
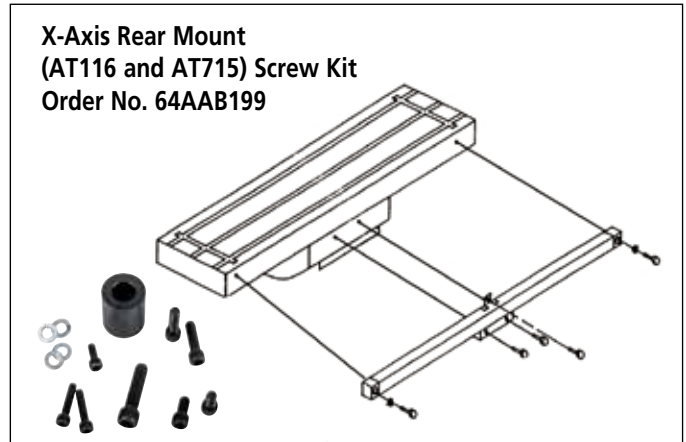
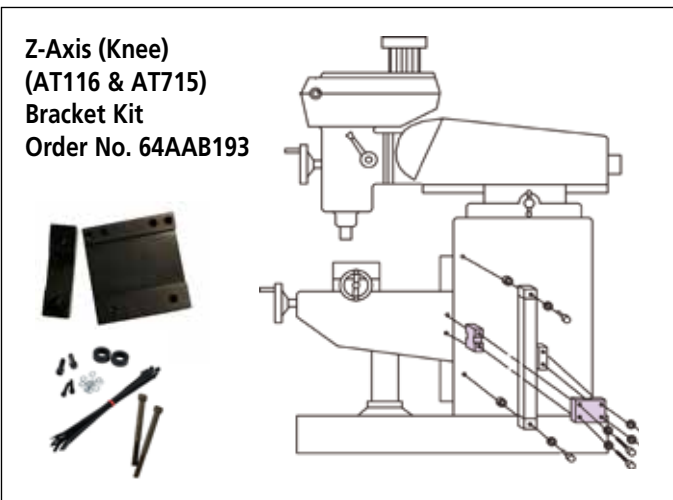
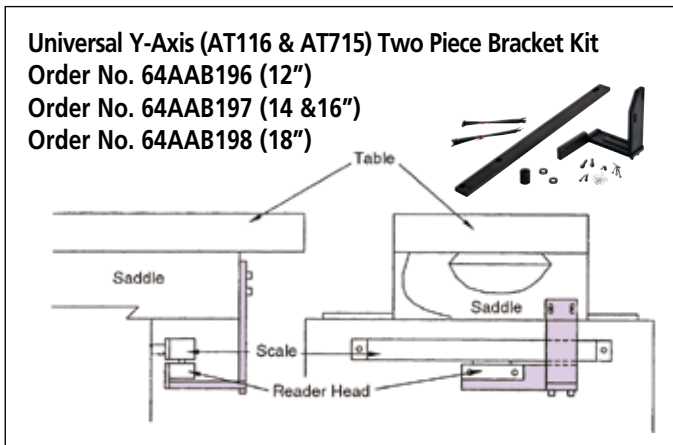
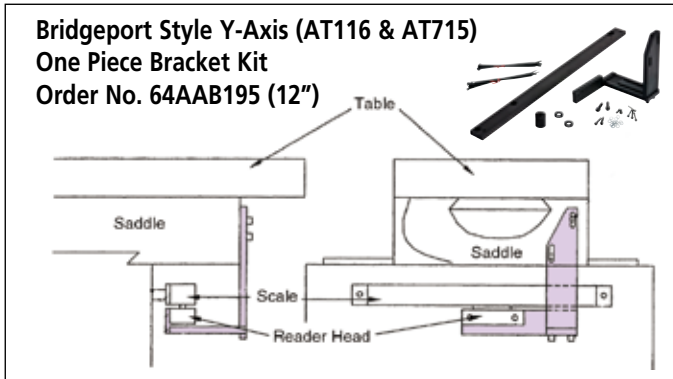
Order No.	Description
64PKA065A	MILL pkg, 3-axis, ABS Scales, 12" x 30" x 6" w/3 axis KA-200 Counter (174-185A)
64PKA066A	MILL pkg, 3-axis, ABS Scales, 12" x 36" x 6", w/3 axis KA-200 Counter (174-185A)
64PKA067A	MILL pkg, 3-axis, ABS Scales, 16" x 36" x 6" w/3 axis KA-200 Counter (174-185A)
64PKA179	MILL PKG,3-AXIS, ABS SCALES 32" X 14" X 4" w/3 axis KA-200 Counter (174-185A)
64PKA180	MILL PKG,3-AXIS, ABS SCALES 36" X 14" X 4" w/3 axis KA-200 Counter (174-185A)
64PKA181	MILL PKG,3-AXIS, ABS SCALES 36" X 16" X 4" w/3 axis KA-200 Counter (174-185A)
64PKA182	MILL PKG,3-AXIS, ABS SCALES 30" X 14" X 6" w/3 axis KA-200 Counter (174-185A)
64PKA183	MILL PKG,3-AXIS, ABS SCALES 32" X 14" X 6" w/3 axis KA-200 Counter (174-185A)
64PKA184	MILL PKG,3-AXIS, ABS SCALES 36" X 14" X 6" w/3 axis KA-200 Counter (174-185A)
64PKA185	MILL PKG,3-AXIS, ABS SCALES 32" X 16" X 6" w/3 axis KA-200 Counter (174-185A)
64PKA186	MILL PKG,3-AXIS, ABS SCALES 40" X 18" X 6" w/3 axis KA-200 Counter (174-185A)
64PKA213	MILL PKG,3-AXIS, ABS SCALES 40" X 16" X 5" w/3 axis KA-200 Counter (174-185A)
64PKA216	MILL PKG,3-AXIS, ABS SCALES 40" X 12" X 5" w/3 axis KA-200 Counter (174-185A)
64PKA217	MILL PKG,3-AXIS, ABS SCALES 48" X 18" X 18" w/3 axis KA-200 Counter (174-185A)
64PKA218	MILL PKG,3-AXIS, ABS SCALES 60" X 24" X 28" w/3 axis KA-200 Counter (174-185A)
64PKA219	MILL PKG,3-AXIS, ABS SCALES 80" X 32" X 28" w/3 axis KA-200 Counter (174-185A)
64PKA225	MILL PKG,3-AXIS, ABS SCALES 48" X 18" X 22" w/3 axis KA-200 Counter (174-185A)

3 Axis (Knee) - AT715 Slim Electromagnetic for all axes

Order No.	Description
64PKA187	MILL PKG,3-AXIS, ABS SCALES 32" X 13"/14" X 16" w/3 axis KA-200 Counter (174-185A)
64PKA188	MILL PKG,3-AXIS, ABS SCALES 36" X 13"/14" X 16" w/3 axis KA-200 Counter (174-185A)
64PKA189	MILL PKG,3-AXIS, ABS SCALES 30" X 14" X 16" w/3 axis KA-200 Counter (174-185A)
64PKA190	MILL PKG,3-AXIS, ABS SCALES 36" X 16" X 16" w/3 axis KA-200 Counter (174-185A)
64PKA191	MILL PKG,3-AXIS, ABS SCALES 36" X 16" X 18" w/3 axis KA-200 Counter (174-185A)
64PKA192	MILL PKG,3-AXIS, ABS SCALES 40" X 18" X 16" w/3 axis KA-200 Counter (174-185A)
64PKA193	MILL PKG,3-AXIS, ABS SCALES 40" X 18" X 18" w/3 axis KA-200 Counter (174-185A)
64PKA209	MILL PKG,3-AXIS, ABS SCALES 32" X 16" X 16" w/3 axis KA-200 Counter (174-185A)
64PKA214	MILL PKG,3-AXIS, ABS SCALES 30" X 12" X 16" w/3 axis KA-200 Counter (174-185A)
64PKA215	MILL PKG,3-AXIS, ABS SCALES 40" X 12" X 16" w/3 axis KA-200 Counter (174-185A)

Brackets for Milling Machines

Mounting and Counter Display Brackets



Order No.	Description	Remark
64AAB200	Machine Arm Kit for KA-200 Counter (With Tray)	Current Style
53AAA375	Tray for KA-200 Counter (Tray Only)	For Kit 64AAB200 and Mini Stand