

# Coolant-proof Micrometer

**SERIES 293 — with Dust/Water Protection Conforming to IP65 Level**

## FEATURES

- IP65 protection level, enabling use in environments exposed to cutting oil, etc\*.  
\*Anti-corrosion treatment is required after use.
- Measurement data output function is available with a water-resistant connection cable.
- Auto power ON/OFF function.
- A nonslip surface is employed for the frame cover and surface panel to achieve stable handheld measurement.
- Certificate of inspection\* is included. (2" /50mm or less range models)\*\*  
\*It is not the type used to obtain calibration certificates.  
\*\* except 293-349-30
- With a standard bar except for 0-1"/0-25mm model.
- Supplied in fitted case. Plastic case up to 6"/150mm, wooden box over 6"/150mm.



293-330-30



293-252-30



Oil-resistant materials are used in all plastic components.



Measurement data output function is available with a water-resistant connection cable.



Employed nonslip surface



Mitutoyo		CERTIFICATE OF INSPECTION / 検査成績書	
1. Item / 品名	Digital Micrometer	Inspected Value / 検査値	0.20mm
Model Name / 型名	293-330	Inspected Date / 検査日	2018.08.01
Lot No. / ロット番号	293-330	Serial No. / 番付番号	2938882
2. Name of Inspector / 検査者名	Y. S. S.	Standard Temperature / 標準温度	20 °C
3. Name of Inspection / 検査場所	Mitutoyo (China) Ltd.		
4. Name of Inspection / 検査場所	Mitutoyo (China) Ltd.		
5. Name of Inspection / 検査場所	Mitutoyo (China) Ltd.		
6. Name of Inspection / 検査場所	Mitutoyo (China) Ltd.		
7. Name of Inspection / 検査場所	Mitutoyo (China) Ltd.		
8. Name of Inspection / 検査場所	Mitutoyo (China) Ltd.		
9. Name of Inspection / 検査場所	Mitutoyo (China) Ltd.		
10. Name of Inspection / 検査場所	Mitutoyo (China) Ltd.		
11. Name of Inspection / 検査場所	Mitutoyo (China) Ltd.		
12. Name of Inspection / 検査場所	Mitutoyo (China) Ltd.		
13. Name of Inspection / 検査場所	Mitutoyo (China) Ltd.		
14. Name of Inspection / 検査場所	Mitutoyo (China) Ltd.		
15. Name of Inspection / 検査場所	Mitutoyo (China) Ltd.		
16. Name of Inspection / 検査場所	Mitutoyo (China) Ltd.		
17. Name of Inspection / 検査場所	Mitutoyo (China) Ltd.		
18. Name of Inspection / 検査場所	Mitutoyo (China) Ltd.		
19. Name of Inspection / 検査場所	Mitutoyo (China) Ltd.		
20. Name of Inspection / 検査場所	Mitutoyo (China) Ltd.		
21. Name of Inspection / 検査場所	Mitutoyo (China) Ltd.		
22. Name of Inspection / 検査場所	Mitutoyo (China) Ltd.		
23. Name of Inspection / 検査場所	Mitutoyo (China) Ltd.		
24. Name of Inspection / 検査場所	Mitutoyo (China) Ltd.		
25. Name of Inspection / 検査場所	Mitutoyo (China) Ltd.		
26. Name of Inspection / 検査場所	Mitutoyo (China) Ltd.		
27. Name of Inspection / 検査場所	Mitutoyo (China) Ltd.		
28. Name of Inspection / 検査場所	Mitutoyo (China) Ltd.		
29. Name of Inspection / 検査場所	Mitutoyo (China) Ltd.		
30. Name of Inspection / 検査場所	Mitutoyo (China) Ltd.		
31. Name of Inspection / 検査場所	Mitutoyo (China) Ltd.		
32. Name of Inspection / 検査場所	Mitutoyo (China) Ltd.		
33. Name of Inspection / 検査場所	Mitutoyo (China) Ltd.		
34. Name of Inspection / 検査場所	Mitutoyo (China) Ltd.		
35. Name of Inspection / 検査場所	Mitutoyo (China) Ltd.		
36. Name of Inspection / 検査場所	Mitutoyo (China) Ltd.		
37. Name of Inspection / 検査場所	Mitutoyo (China) Ltd.		
38. Name of Inspection / 検査場所	Mitutoyo (China) Ltd.		
39. Name of Inspection / 検査場所	Mitutoyo (China) Ltd.		
40. Name of Inspection / 検査場所	Mitutoyo (China) Ltd.		
41. Name of Inspection / 検査場所	Mitutoyo (China) Ltd.		
42. Name of Inspection / 検査場所	Mitutoyo (China) Ltd.		
43. Name of Inspection / 検査場所	Mitutoyo (China) Ltd.		
44. Name of Inspection / 検査場所	Mitutoyo (China) Ltd.		
45. Name of Inspection / 検査場所	Mitutoyo (China) Ltd.		
46. Name of Inspection / 検査場所	Mitutoyo (China) Ltd.		
47. Name of Inspection / 検査場所	Mitutoyo (China) Ltd.		
48. Name of Inspection / 検査場所	Mitutoyo (China) Ltd.		
49. Name of Inspection / 検査場所	Mitutoyo (China) Ltd.		
50. Name of Inspection / 検査場所	Mitutoyo (China) Ltd.		
51. Name of Inspection / 検査場所	Mitutoyo (China) Ltd.		
52. Name of Inspection / 検査場所	Mitutoyo (China) Ltd.		
53. Name of Inspection / 検査場所	Mitutoyo (China) Ltd.		
54. Name of Inspection / 検査場所	Mitutoyo (China) Ltd.		
55. Name of Inspection / 検査場所	Mitutoyo (China) Ltd.		
56. Name of Inspection / 検査場所	Mitutoyo (China) Ltd.		
57. Name of Inspection / 検査場所	Mitutoyo (China) Ltd.		
58. Name of Inspection / 検査場所	Mitutoyo (China) Ltd.		
59. Name of Inspection / 検査場所	Mitutoyo (China) Ltd.		
60. Name of Inspection / 検査場所	Mitutoyo (China) Ltd.		
61. Name of Inspection / 検査場所	Mitutoyo (China) Ltd.		
62. Name of Inspection / 検査場所	Mitutoyo (China) Ltd.		
63. Name of Inspection / 検査場所	Mitutoyo (China) Ltd.		
64. Name of Inspection / 検査場所	Mitutoyo (China) Ltd.		
65. Name of Inspection / 検査場所	Mitutoyo (China) Ltd.		
66. Name of Inspection / 検査場所	Mitutoyo (China) Ltd.		
67. Name of Inspection / 検査場所	Mitutoyo (China) Ltd.		
68. Name of Inspection / 検査場所	Mitutoyo (China) Ltd.		
69. Name of Inspection / 検査場所	Mitutoyo (China) Ltd.		
70. Name of Inspection / 検査場所	Mitutoyo (China) Ltd.		
71. Name of Inspection / 検査場所	Mitutoyo (China) Ltd.		
72. Name of Inspection / 検査場所	Mitutoyo (China) Ltd.		
73. Name of Inspection / 検査場所	Mitutoyo (China) Ltd.		
74. Name of Inspection / 検査場所	Mitutoyo (China) Ltd.		
75. Name of Inspection / 検査場所	Mitutoyo (China) Ltd.		
76. Name of Inspection / 検査場所	Mitutoyo (China) Ltd.		
77. Name of Inspection / 検査場所	Mitutoyo (China) Ltd.		
78. Name of Inspection / 検査場所	Mitutoyo (China) Ltd.		
79. Name of Inspection / 検査場所	Mitutoyo (China) Ltd.		
80. Name of Inspection / 検査場所	Mitutoyo (China) Ltd.		
81. Name of Inspection / 検査場所	Mitutoyo (China) Ltd.		
82. Name of Inspection / 検査場所	Mitutoyo (China) Ltd.		
83. Name of Inspection / 検査場所	Mitutoyo (China) Ltd.		
84. Name of Inspection / 検査場所	Mitutoyo (China) Ltd.		
85. Name of Inspection / 検査場所	Mitutoyo (China) Ltd.		
86. Name of Inspection / 検査場所	Mitutoyo (China) Ltd.		
87. Name of Inspection / 検査場所	Mitutoyo (China) Ltd.		
88. Name of Inspection / 検査場所	Mitutoyo (China) Ltd.		
89. Name of Inspection / 検査場所	Mitutoyo (China) Ltd.		
90. Name of Inspection / 検査場所	Mitutoyo (China) Ltd.		
91. Name of Inspection / 検査場所	Mitutoyo (China) Ltd.		
92. Name of Inspection / 検査場所	Mitutoyo (China) Ltd.		
93. Name of Inspection / 検査場所	Mitutoyo (China) Ltd.		
94. Name of Inspection / 検査場所	Mitutoyo (China) Ltd.		
95. Name of Inspection / 検査場所	Mitutoyo (China) Ltd.		
96. Name of Inspection / 検査場所	Mitutoyo (China) Ltd.		
97. Name of Inspection / 検査場所	Mitutoyo (China) Ltd.		
98. Name of Inspection / 検査場所	Mitutoyo (China) Ltd.		
99. Name of Inspection / 検査場所	Mitutoyo (China) Ltd.		
100. Name of Inspection / 検査場所	Mitutoyo (China) Ltd.		

Certificate of inspection

## Technical Data

- Accuracy: Refer to the list of specifications.  
 Resolution: .00005"/0.001mm or 0.001mm (up to 4" models)  
 .0001" / 0.001mm (over 4" models)  
 Flatness: .000012"/0.3µm  
 Parallelism: .00004"/1µm for models up to 2"/50mm  
 .00008"/2µm for models up to 4"/100mm  
 .00012"/3µm for models up to 7"/175mm  
 .00016"/4µm for models up to 11"/275mm  
 .0002"/5µm for models over 12"/300mm
- Measuring faces: Carbide tipped  
 Display: LCD  
 Battery: SR44 (1 pc.), **938882**  
 Battery life: Approx. 2.4 years under normal use  
 Dust/Water protection level: IP65

## Function

- Origin-set, Zero / ABS, Hold, Auto power on/off,  
 Data output (output models),  
 inch/mm conversion (on inch/metric models only)  
 Alarm: Low voltage, Counting value composition error

## Optional Accessories

- 05CZA662:** SPC cable with data switch (40"/1m)  
**05CZA663:** SPC cable with data switch (80"/2m)



SPC cable with data switch

## SPECIFICATIONS

**Metric** With ratchet stop

Range	Resolution	Order No.	Accuracy
0 - 25mm	0.001mm	<b>293-230-30 / 293-240-30*</b>	±1µm
25 - 50mm	0.001mm	<b>293-231-30 / 293-241-30*</b>	±1µm
50 - 75mm	0.001mm	<b>293-232-30 / 293-242-30*</b>	±1µm
75 - 100mm	0.001mm	<b>293-233-30 / 293-243-30*</b>	±2µm
100 - 125mm	0.001mm	<b>293-250-30</b>	±2µm
125 - 150mm	0.001mm	<b>293-251-30</b>	±2µm
150 - 175mm	0.001mm	<b>293-252-30</b>	±3µm
175 - 200mm	0.001mm	<b>293-253-30</b>	±3µm
200 - 225mm	0.001mm	<b>293-254-30</b>	±3µm
225 - 250mm	0.001mm	<b>293-255-30</b>	±4µm
250 - 275mm	0.001mm	<b>293-256-30</b>	±4µm
275 - 300mm	0.001mm	<b>293-257-30</b>	±4µm

\*without SPC data output

**Metric** With ratchet thimble

Range	Resolution	Order No.	Accuracy
0 - 25mm	0.001mm	<b>293-234-30 / 293-244-30*</b>	±1µm
25 - 50mm	0.001mm	<b>293-235-30 / 293-245-30*</b>	±1µm
50 - 75mm	0.001mm	<b>293-236-30 / 293-246-30*</b>	±1µm
75 - 100mm	0.001mm	<b>293-237-30 / 293-247-30*</b>	±2µm

\*without SPC data output

**Metric** Micrometer Set

Range	Order No.	Included in set
0-50mm (2pcs. Set)	<b>293-966-30</b>	293-230-30, 293-231-30, 25mm CERA block, plastic case
0-75mm (3pcs. Set)	<b>293-962-30</b>	293-230-30, 293-231-30, 293-232-30, 2 standard bars, plastic case
0-100mm (4pcs. Set)	<b>293-963-30</b>	293-230-30, 293-231-30, 293-232-30, 293-233-30, 3 standard bars, wooden box

**Inch/Metric** With ratchet stop

Range	Resolution	Order No.	Accuracy
0 - 1" / 0 - 25.4mm	.00005" / 0.001mm	<b>293-330-30 / 293-340-30*</b>	±.00005"
1" - 2" / 25.4 - 50.8mm	.00005" / 0.001mm	<b>293-331-30 / 293-341-30*</b>	±.00005"
2" - 3" / 50.8 - 76.2mm	.00005" / 0.001mm	<b>293-332-30 / 293-342-30*</b>	±.00005"
3" - 4" / 76.2 - 101.6mm	.00005" / 0.001mm	<b>293-333-30 / 293-343-30*</b>	±.0001"
4" - 5" / 101.6 - 127.0mm	.0001" / 0.001mm	<b>293-350-30</b>	±.0001"
5" - 6" / 127.0 - 152.4mm	.0001" / 0.001mm	<b>293-351-30</b>	±.0001"
6" - 7" / 152.4 - 177.8mm	.0001" / 0.001mm	<b>293-352-30</b>	±.00015"
7" - 8" / 177.8 - 203.2mm	.0001" / 0.001mm	<b>293-353-30</b>	±.00015"
8" - 9" / 203.2 - 228.6mm	.0001" / 0.001mm	<b>293-354-30</b>	±.00015"
9" - 10" / 228.6 - 254.0mm	.0001" / 0.001mm	<b>293-355-30</b>	±.0002"
10" - 11" / 254.0 - 279.4mm	.0001" / 0.001mm	<b>293-356-30</b>	±.0002"
11" - 12" / 279.4 - 304.8mm	.0001" / 0.001mm	<b>293-357-30</b>	±.0002"

\*without SPC data output

**Inch/Metric** With ratchet thimble

Range	Resolution	Order No.	Accuracy
0 - 1" / 0 - 25.4mm	.00005" / 0.001mm	<b>293-334-30 / 293-344-30*</b>	±.00005"
0 - 1" / 0 - 25.4mm	.0001" / 0.001mm	<b>293-349-30*</b>	±.0001"
1" - 2" / 25.4 - 50.8mm	.00005" / 0.001mm	<b>293-345-30*</b>	±.00005"
2" - 3" / 50.8 - 76.2mm	.00005" / 0.001mm	<b>293-346-30*</b>	±.00005"
3" - 4" / 76.2 - 101.6mm	.00005" / 0.001mm	<b>293-347-30*</b>	±.0001"

\*without SPC data output

**Inch/Metric** With friction thimble

Range	Resolution	Order No.	Accuracy
0 - 1" / 0 - 25.4mm	.00005" / 0.001mm	<b>293-335-30 / 293-348-30*</b>	±.00005"
1" - 2" / 25.4 - 50.8mm	.00005" / 0.001mm	<b>293-336-30</b>	±.00005"

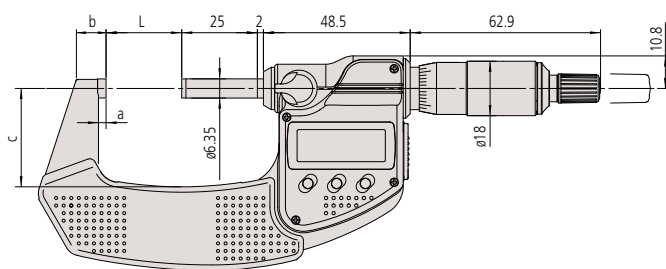
\*without SPC data output

**Inch/Metric** Micrometer Set .00005" / 0.001mm graduation model

Range	Order No.	Included in set
0 - 3" / 0 - 76.2mm (3 pcs. set)	<b>293-960-30</b>	293-330-30, 293-331-30, 293-332-30, 2 standard bars, plastic case
0 - 4" / 0 - 101.6mm (4 pcs. set)	<b>293-961-30</b>	293-330-30, 293-331-30, 293-332-30, 293-333-30, 3 standard bars, wooden box

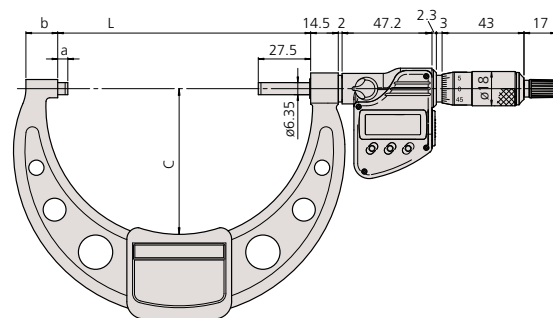
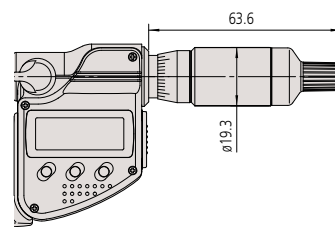
## DIMENSIONS AND MASS

Ratchet-stop type (up to 100mm/4")



Ratchet-thimble type and friction-thimble type

Unit: mm



Ratchet stop type (over 100mm/4" to 300mm/12")

Range (Metric / Inch)	L	a	b	c	Mass (g)
0 - 25mm / 0-1"	0	2.5	9	(25)	270
25 - 50mm / 1-2"	25	2.5	9.8	(32.5)	330
50 - 75mm / 2-3"	50	2.5	12.6	(47)	470
75 - 100mm / 3-4"	75	2.5	14	(60)	625
100 - 125mm / 4-5"	132.8	5.3	16.7	(76.5)	600
125 - 150mm / 5-6"	158.2	5.7	18.8	(91)	740
150 - 175mm / 6-7"	183.6	6.1	19.1	(103.1)	800
175 - 200mm / 7-8"	208.8	6.3	18.2	(115.3)	970
200 - 225mm / 8-9"	234.2	6.7	16.8	(126.8)	1100
225 - 250mm / 9-10"	258	5.5	18	(139.8)	1270
250 - 275mm / 10-11"	284	18	28	(152.3)	1340
275 - 300mm / 11-12"	309	18	28	(166)	1540