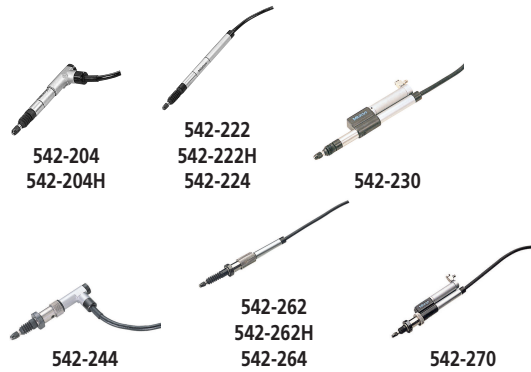


Slim Head Linear Gauge LGB Series

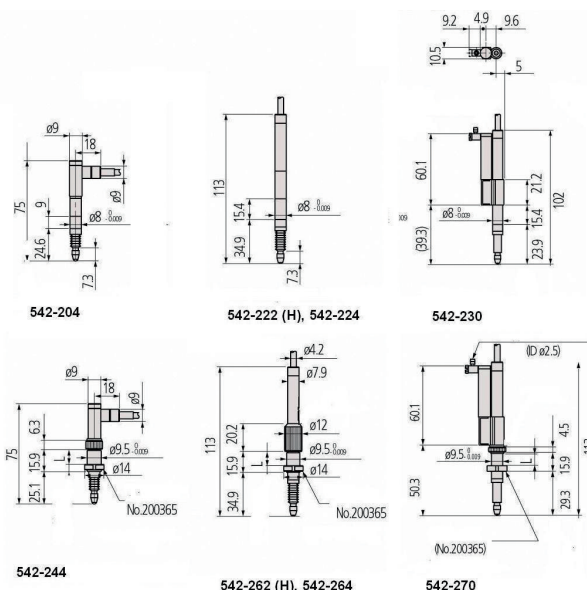
This is an extra slim linear gauge that offers you the following benefits:

- Its differential square-wave signal output allows you to use it for a wide range of applications.
- It is very long lasting due to linear ball-bearings in the spindle unit.



No.	Range [mm]	Accuracy	Measuring force	Stem Ø	Remarks	Mass [g]
542-244	0 - 5	2 µm	0,65 N with spindle down, 0,6 N spindle horizontal, 0,55 N spindle upwards	9,5 mm	-	160
542-204	0 - 5	2 µm	0,65 with spindle down, 0,6 N spindle horizontal, 0,55 N spindle upwards	8 mm	-	145
542-204H	0 - 5	1 µm	0,8 N with spindle down, 0,75 N spindle horizontal, 0,7 N spindle upwards	8 mm	-	145
542-222	0 - 10	2 µm	0,8 N with spindle down, 0,75 N spindle horizontal, 0,7 N spindle upwards	8 mm	-	150
542-222H	0 - 10	1 µm	0,8 N with spindle down, 0,75 N spindle horizontal, 0,7 N spindle upwards	8 mm	-	150
542-224	0 - 10	2 µm	0,6 N with spindle down, 0,55 N spindle horizontal, 0,5 N spindle upwards	8 mm	Low measuring force	165
542-230	0 - 10	2 µm	0,8 N with spindle down, 0,75 N spindle horizontal, 0,7 N spindle upwards	8 mm	w/pneumatic cylinder, 0,3 to 0,4 MPa	165
542-262	0 - 10	2 µm	0,8 N with spindle down, 0,75 N spindle horizontal, 0,7 N spindle upwards	9,5 mm	-	170
542-262H	0 - 10	1 µm	0,8 N with spindle down, 0,75 N spindle horizontal, 0,7 N spindle upwards	9,5 mm	-	170
542-264	0 - 10	2 µm	0,6 N with spindle down, 0,55 N spindle horizontal, 0,5 N spindle upwards	9,5 mm	Low measuring force	170
542-270	0 - 10	2 µm	0,8 N with spindle down, 0,75 N spindle horizontal, 0,7 N spindle upwards	9,5 mm	w/pneumatic cylinder, 0,3 to 0,4 MPa	170

*1 Spindle DOWN/Horizontal/UP



Specifications

Scale	Photoelectric linear encoder
Max. response speed	900 mm/s
Contact point	Ø3 mm carbide ball, thread: M 2,5 x 0,45
Resolution	0,001 mm
Signal pitch	4 µm
Cable length	2 m
Power supply	5 V (4,5 V to 5,2 V), 80 mA max.
Output signal	90° phase difference, differential square wave (RS-422A equivalent)
Environmental conditions	0°C to 40°C (20% to 80% rel. humidity, no condensation)
Bearing type	Linear ball bearing

Standard accessories

No.	Description
538610	Wrench Key/542

Optional accessories

No.	Description
902434	Extension Cable 5 m, for Linear Gauge
902433	Extension Cable 10m
902432	Extension Cable 20m
02ADE230	Air Drive Unit for Linear Gauges, 10 mm
542-015	Linear Gauge Counter EG, for Linear Gauge LGF, LGK, LGB, LGM, LGH
542-092-2	Linear Gauge Counter EB, for LGF, LGK, LGB, LG, LGM, LGH
542-075D	Linear Gauge Counter EH, (need 21HZA195)
542-071D	Linear Gauge Counter EH, (need 21HZA195)
542-080	EJ-Counter -102N
542-063	Linear Gauge Counter EV, for LGF, LGK, LGB, LG, LGM, LGH
542-081	EJ Counter-102NE
21HZA193	Connector Adapter Cable (for P-Gage)

Consumable spares

No.	Description
901312	Contact Element Ball Point, M2,5x0,45, 7,3mm Length, Carbide, Metric
238773	Rubber Cap, 542-204/206/246
238772	Silicone Rubber Boot (for 10 mm model)

