

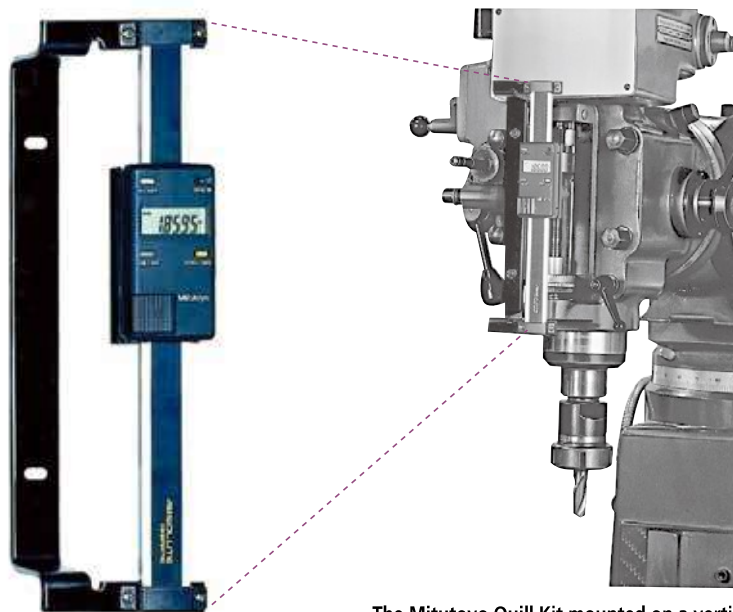
Quill Kit for Milling Machines

Quill Kit with Absolute Encoder

Easy Installation Fits Most Vertical Knee Mills

- Easy to read LCD with resolution of .0005"/0.01 mm, 0 -6" Travel inch/mm
- Push button controls for inch/mm, Zero-Set and On/Off.
- Powered by a single SR-44 Battery which lasts about 1 year with normal use.
- SPC Output for data transmission to data processors or a remote display.

Order No.	Description
053906B	Digimatic Quill Kit complete with brackets & scale for Bridgeport Type machines.



The Mitutoyo Quill Kit mounted on a vertical mill.

