

# Height Gage

**MeasurLink<sup>®</sup> ENABLED**  
Data Management Software by Mitutoyo

## Digimatic Height Gage SERIES 192 — Multi-function Type with SPC Data Output

- Double-column structure ensures high measuring accuracy.
- Ergonomic base fits comfortably in the hand.
- The drive handle is inclined for better operation.
- **192-663-10, 192-664-10, 192-665-10, 192-670-10, 192-671-10, 192-672-10** and **192-673-10** are provided with a long scriber (150 mm).



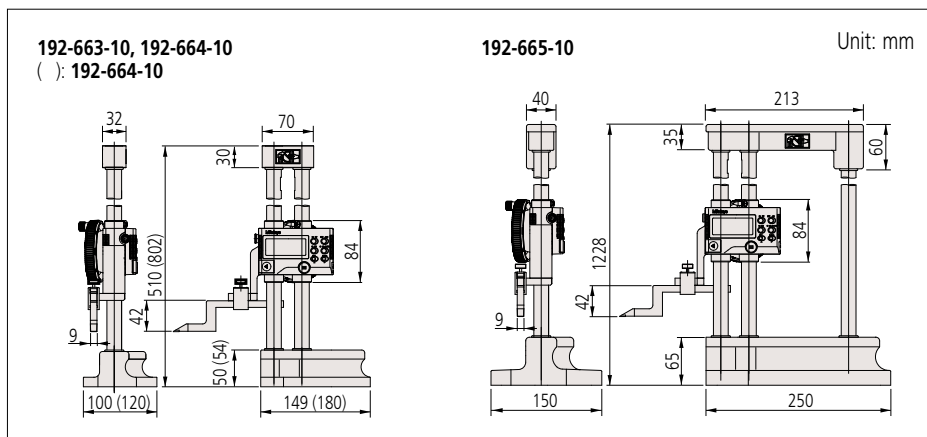
### SPECIFICATIONS

Metric						
Order No.	Range (mm)	Resolution (mm)	Maximum permissible error $E_{MPE}$ (mm)*	Max. response speed (mm/s)	Height (mm)	Mass (kg)
<b>192-663-10</b>	0 - 300	0.01/0.005 (selectable)	±0.02	500	510	5.7
<b>192-664-10</b>	0 - 600		±0.04		802	8.3
<b>192-665-10</b>	0 - 1000		±0.06		1228	15.7

Inch / Metric						
Order No.	Range (in)	Resolution	Maximum permissible error $E_{MPE}$ (in)*	Max. response speed (mm/s)	Height (mm)	Mass (kg)
<b>192-670-10</b>	0 - 12	0.01 mm/0.005 mm (selectable)	±0.001	500	510	5.7
<b>192-671-10</b>	0 - 18		±0.0015		649	7.5
<b>192-672-10</b>	0 - 24	0.0005 in/0.0002 in (selectable)	±0.0015		802	8.3
<b>192-673-10</b>	0 - 40		±0.0025		1228	15.7

- Battery: SR44 (1 pc.), **938882**, for initial operational checks (standard accessory)
- Battery life: Approx. 3,500 hours in continuous use
- Standard Accessories: Scriber **905200** (**192-663-10, 192-664-10, 192-665-10**), Scriber clamp **05GZA033**
- \* Maximum permissible error,  $E_{MPE}$  is the term (notation) used in JIS B 7517: 2018, revised based on ISO/TR 14253-6: 2012.

### DIMENSIONS



### Functions

- Origin-setting (ABS measurement mode): Any arbitrary value can be stored as the origin point.
- Zero-setting (INC measurement mode): Displayed value can be set to zero at any arbitrary position of the slider.
- Origin restoration: Previously set origin is restored when switching back to ABS mode.
- Presetting (ABS INC measurement mode): Displayed value can be set to any arbitrary value, including negative values.
- Measuring direction: Measuring direction can be switched at the press of a button.
- Data hold: Display value can be held. Reverts to ABS or INC mode when cancelled.
- Alarm: Error message is displayed when overflow or overspeed of displayed value arises and measurement is stopped.
- Data output: Allows integration into statistical process control and measurement systems. (Refer to page A-3.)
- Fine and coarse height adjustment through knob and wheel combination. Slider height adjustment wheel allows fine and coarse height adjustment.
- Probe-tip diameter compensation: An adjustment is applied to the raw measurement data to compensate for the effect of the size of the spherical contact point used by the bidirectional touch-trigger probe.
- Presetting (2 positions): With two preset functions, two reference heights can be used relative to a surface plate.

### Optional Accessories

Order No.	Type	Description
<b>905338</b>	F	Connecting cables for <b>IT/DP/MUX</b> (1 m)
<b>905409</b>	F	Connecting cables for <b>IT/DP/MUX</b> (2 m)
<b>06AFM380F</b>	F	USB Input Tool Direct (2 m)
<b>02AZD790F</b>	F	Connecting cables for <b>U-WAVE-T</b> (160 mm)
<b>02AZE140F</b>	F	Connecting cables for <b>U-WAVE-T</b> For foot switch

- **Bidirectional touch-trigger probe:** **192-007** (mm), **192-008** (inch)  
Improves accuracy in step, internal thickness, and outside width measurement by minimizing reproducibility error. A bidirectional touch-trigger probe is available as an optional accessory for **192-663-10, 192-664-10, 192-665-10, 192-670-10, 192-671-10, 192-672-10** and **192-673-10**.

