

Depth Gage

Depth Gage SERIES 571 — Hook End Type

- The end of the main scale is hook-shaped to allow depth and thickness measurements of a projected portion or lip in a hole, in addition to standard depth measurement.
- Coolant proof models achieve IP67 protection level.
- Optional longer extension bases are available. (Refer to page D-76.)
- The measurement result directly readable by OFFSET function.

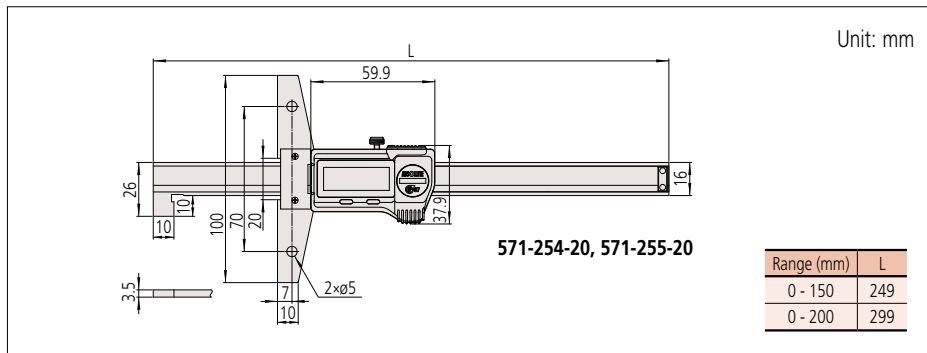


SPECIFICATIONS

Metric				
Order No.	Range (mm): L1 (L2 and L3)	Resolution (mm)	Base (W×T) (mm)	Maximum permissible error $EMPE$ (mm)*
571-254-20	10.1 - 160 (0 - 150)	0.01	100×6	±0.03
571-255-20	10.1 - 210 (0 - 200)			
Inch / Metric				
Order No.	Range: L1 (L2 and L3)	Resolution	Base (W×T) (mm)	Maximum permissible error $EMPE$ *
571-264-20	0.4 in - 6.4 in (0 - 6 in)	0.0005 in/0.01 mm	100×6	±0.0015 in/±0.03 mm
571-265-20	0.4 in - 8.4 in (0 - 8 in)			

- Battery: SR44 (1 pc.), **938882**. For initial operational checks (standard accessory).
- Battery life: Approx. 5 years
- * Maximum permissible error, $EMPE$, is the term (notation) used in JIS B 7518: 2018, revised based on ISO/TR 14253-6: 2012.

DIMENSIONS

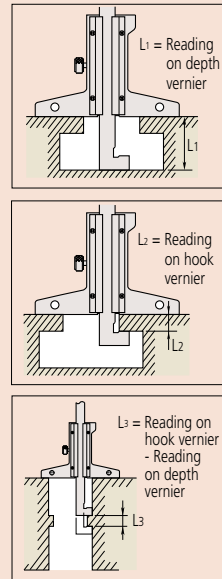


MeasurLink[®] ENABLED Data Management Software by Mitutoyo **U-WAVE^{fit}**

ABSOLUTE[™]



Typical applications



Optional Accessories

Order No.	Type	Description
05CZA624	A	Connecting cables (1 m)
05CZA625	A	Connecting cables (2 m)
06AFM380A	A	USB Input Tool Direct (2 m)
02AZD790A	A	Connecting cables for U-WAVE-T (160 mm)
02AZE140A	A	Connecting cables for U-WAVE-T For foot switch
264-620	IP67	U-WAVE-TC
264-621	Buzzer	U-WAVE-TC
264-624	IP67	U-WAVE-TCB Transmitter
264-625	Buzzer	U-WAVE-TCB Transmitter
02AZF310	IP67	Connecting unit for U-WAVE-TC/TCB