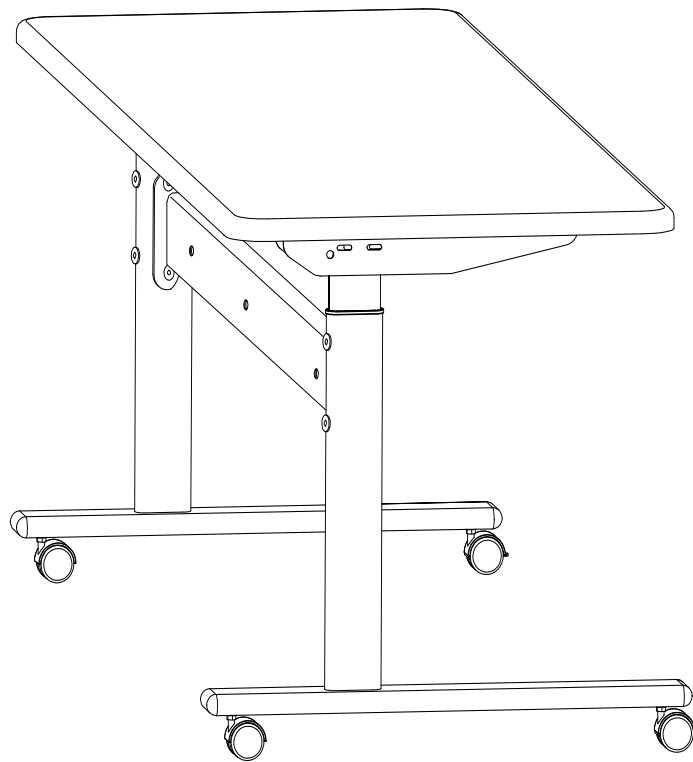


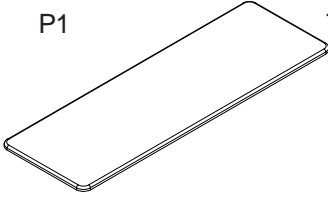
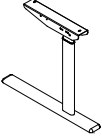
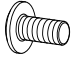
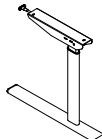
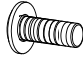
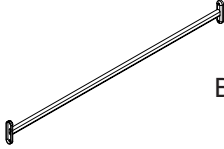
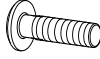
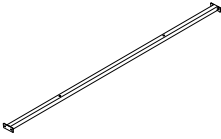
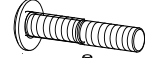


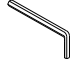


Height Adjustable Flipper

Rectangle



Assembly Instructions

Height Adjustable Flipper - Rectangle

Part	Drawing	Description	Qty	Part	Drawing	Description	Qty
P1		Table Top	1 EA	Hardware List			
P2		Left Leg	1 EA	A		M6*8mm Socket Screw	4 EA
P3		Right Leg	1 EA	A1		M6*10mm Socket Screw	4 EA
P4		Bottom Support	1 EA	B		M6*15mm Socket Screw	4 EA
P5		Top Support	1 EA	B1		M6*38mm Socket Screw	2 EA
				C		2" Locking Caster	2 EA
				D		2" Caster	2 EA
				E		Allen Wrench	1 EA
				F		Caster Wrench	1 EA
				G		Spring Washer	4 EA

Assembly Diagram

READ THROUGH INSTRUCTIONS FROM BEGINNING TO END BEFORE STARTING TO ASSEMBLE UNIT.

- 1.) Identify and Separate all the Parts and Hardware.
- 2.) Attach the Right Leg(P3) and the Left Leg (P2) to the Bottom Support (P4) using two Screws (A) for each leg as shown in Illustration #1. Tighten Screws (A) using Allen Wrench (E).

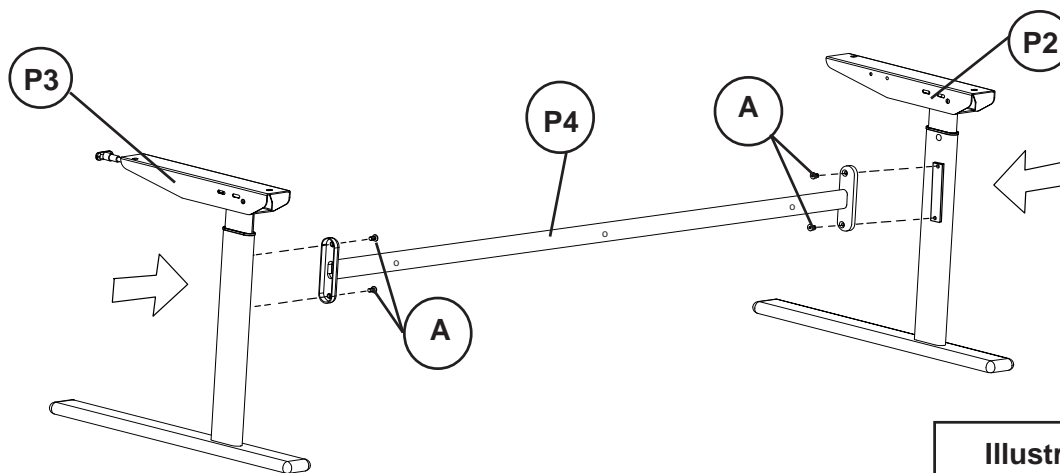


Illustration # 1

- 3.) Insert the Top Support (P5) between the Right Leg (P3) and Left Leg (P2) top tubes and attach using two Socket Screws (A1) through each leg as shown in Illustration #2. Tighten Screws (A1) using Allen Wrench (E).

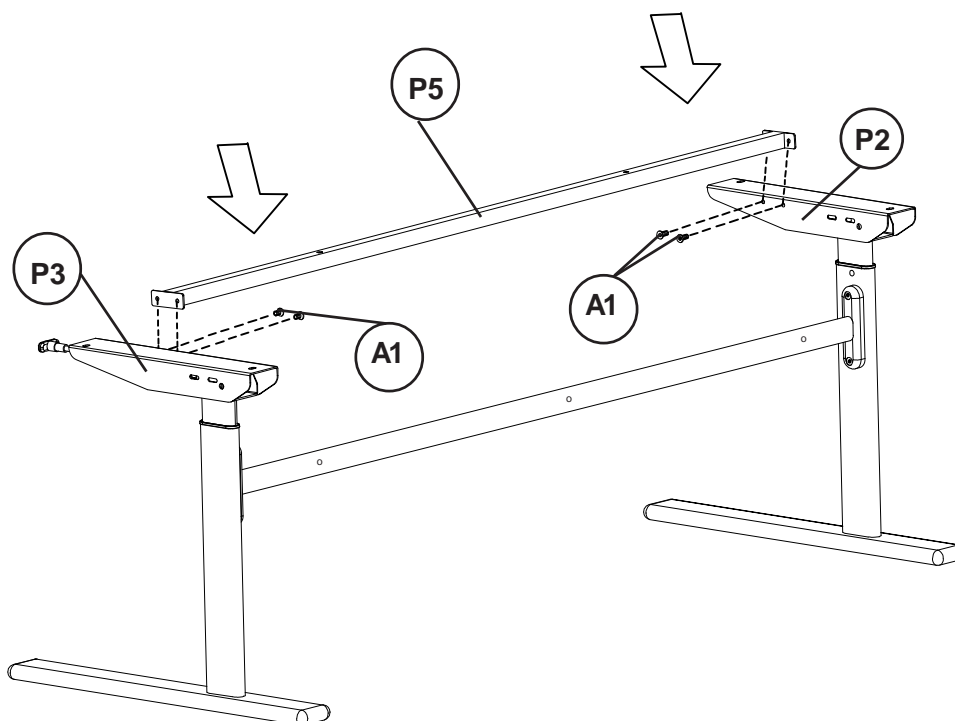
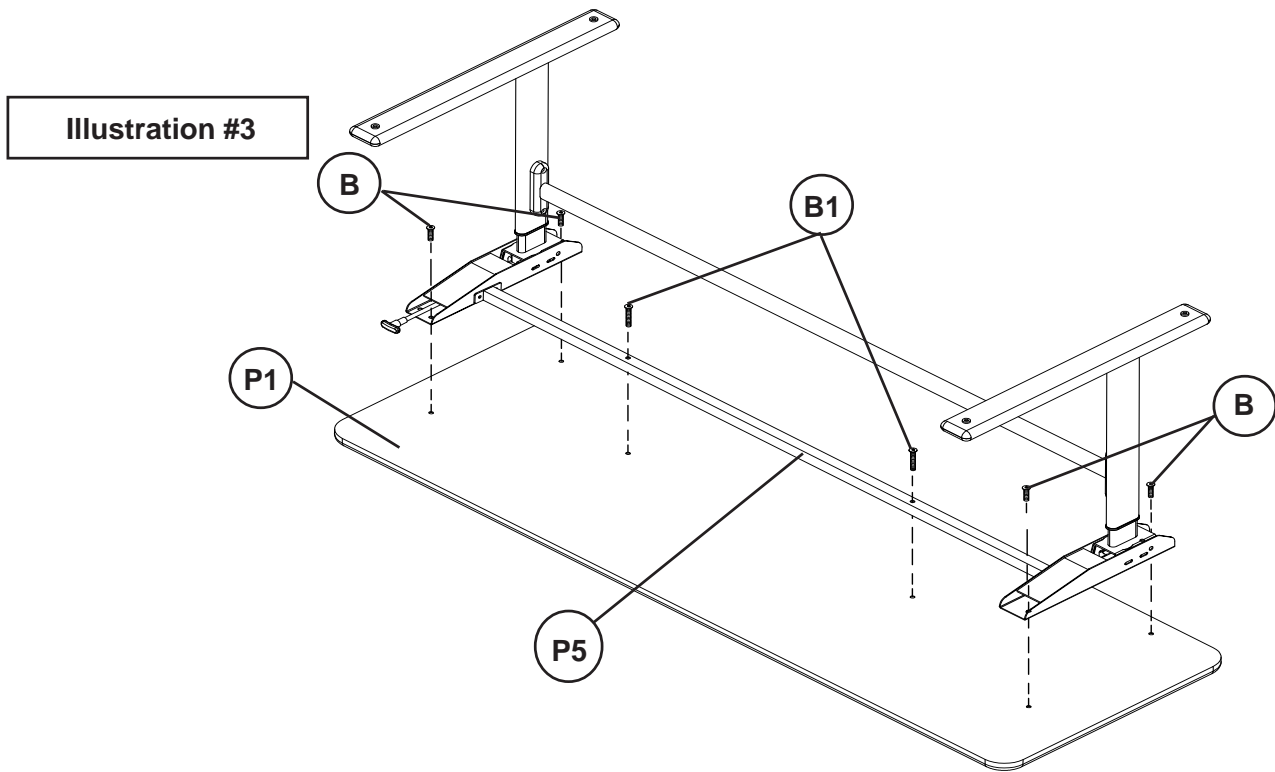
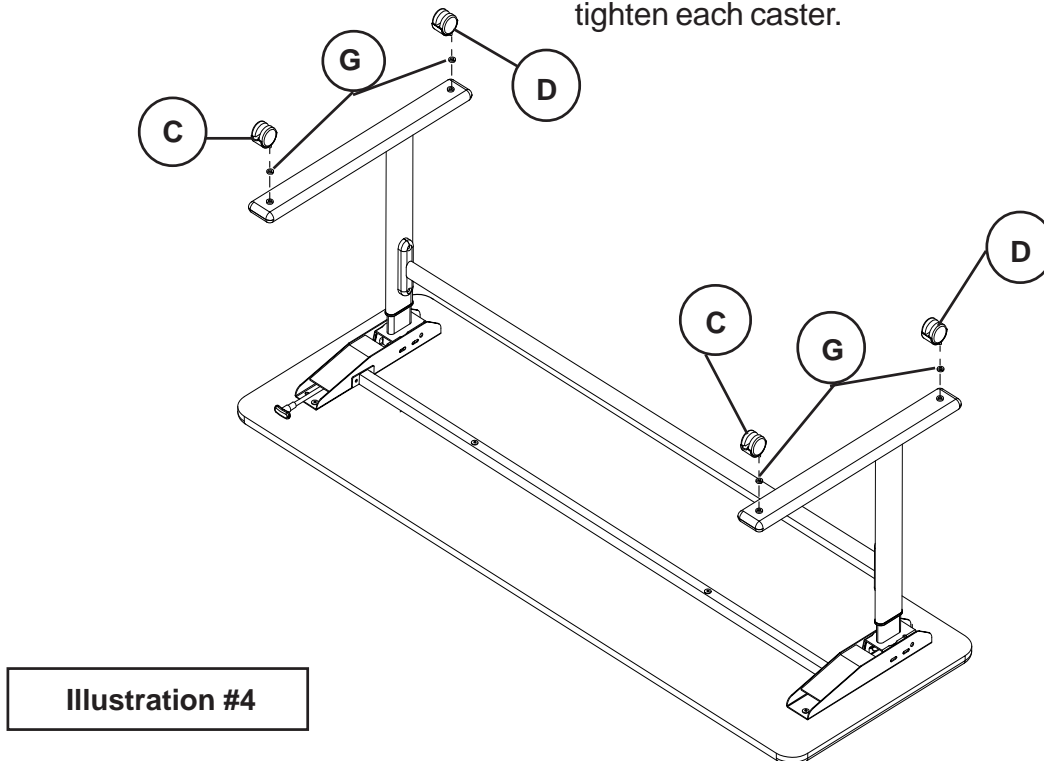


Illustration # 2

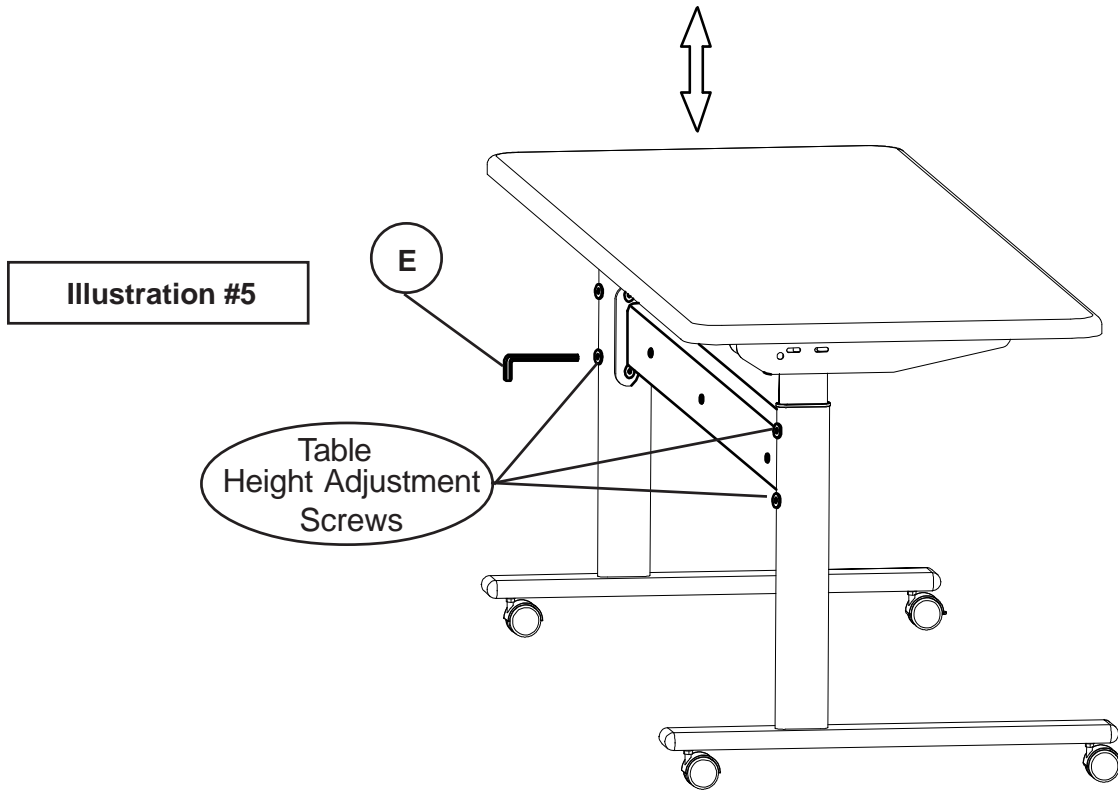
- 4.) Place Table Top (P1) upside down on a padded surface. Place the assembly from Step 3 over the embedded threaded inserts in the Top Panel (P1) as shown in Illustration #3. Attach the frame assembly to the Top Panel (P1) using two Screws (B) through each Leg's top tube and two Screw (B1) through the Top Support (P5).



- 5.) Place a Spring Washer (G) on the stem of each Locking Caster (C) and screw the caster into the front hole in each leg as shown in Illustration #4. Place a Spring Washer (G) on the stem of each Caster (D) and screw into the rear hole in each leg. Use Caster Wrench (F) to tighten each caster.



6.) To adjust the height of your table, remove the two screws on the back of each leg. Move the upper leg insert up or down to find the new height's tapped holes. Replace and tighten the screws using Allen Wrench(E) as shown in Illustration #5.



Height Adjustable Flipper

Rectangle

