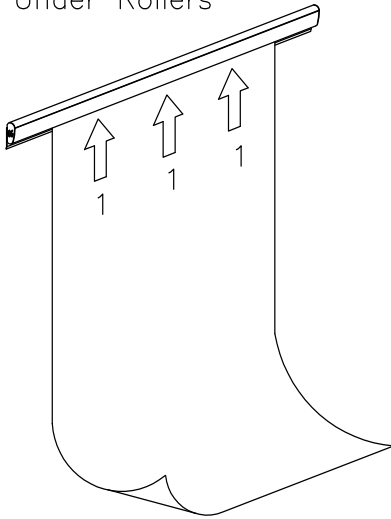
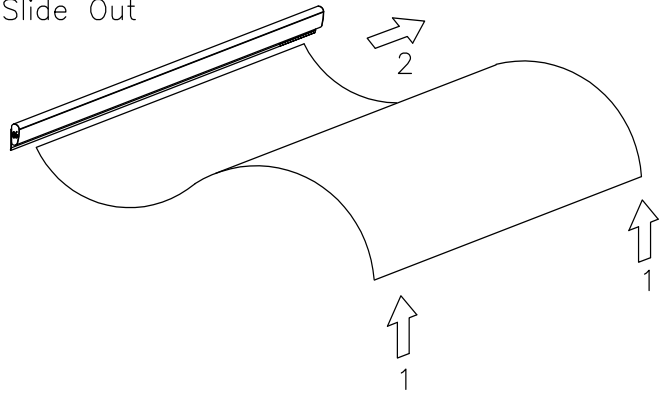


# BESTBITE-12-NL

TO USE:  
Slide Paper Up  
Under Rollers



TO REMOVE PAPER:  
Lift Paper Up And  
Slide Out



## Part List

P1



Best-Bite

1 EA

## Hardware List

A



Mounting Bracket

6

EA

B



Screw

6

EA

C



Screw Anchor-Concrete

6

EA

D



Magnet Strip

None

E



Double Sided Tape

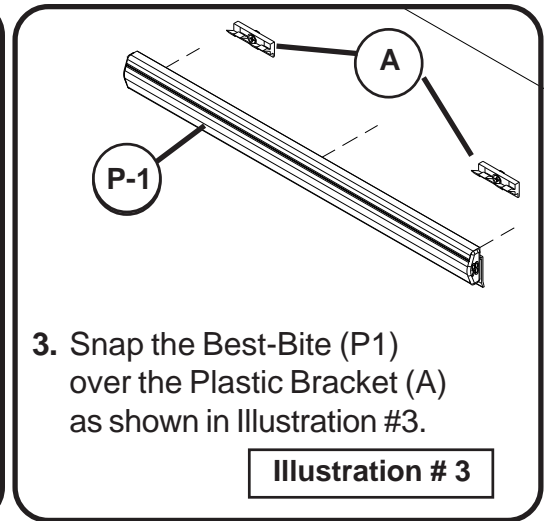
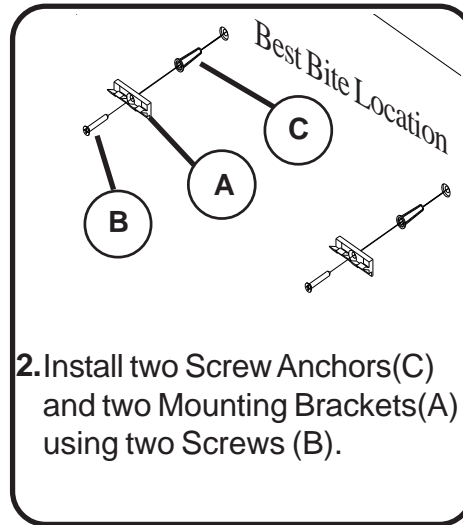
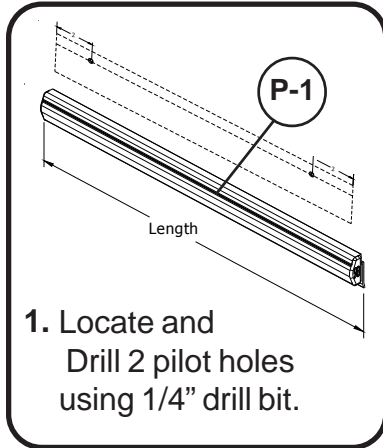
6

EA

***Should you require assistance  
during assembly, please call our  
Customer Service Department  
Monday- Friday 8 a.m.-5 p.m. CST  
1-800-749-2258***

## There are Two Ways to Install Your New Best-Bite.

### Option One



### Option Two

