

ELEVATION FLOOR MOUNTS

Height Adjustable Flat Panel Mounts



Mount the largest displays with confidence.

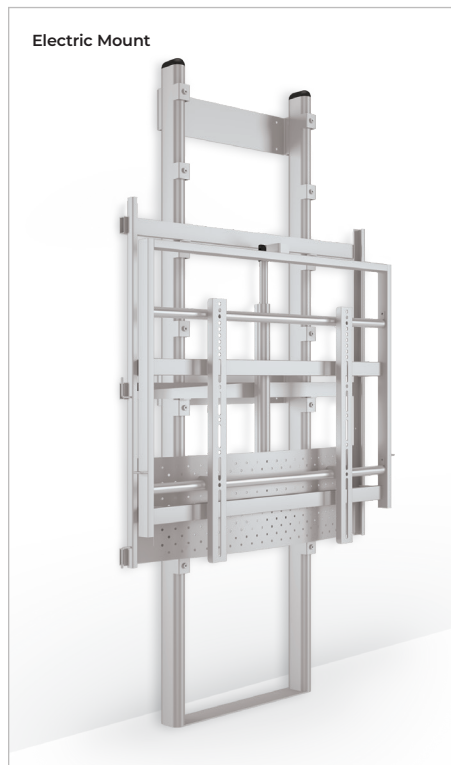
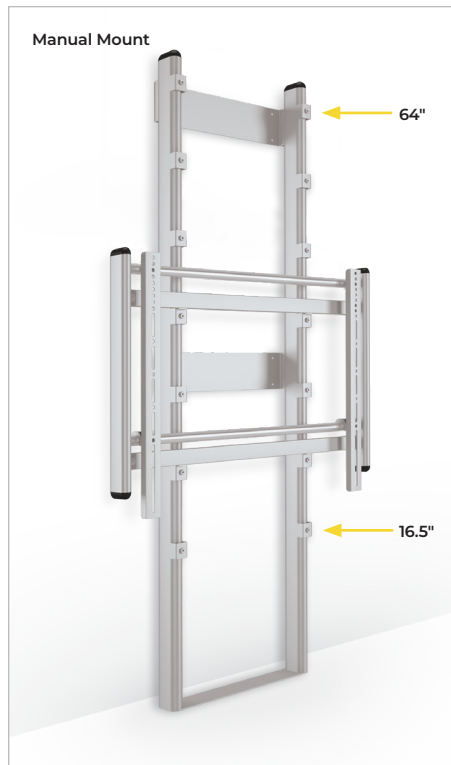
Engineered to provide worry-free flat panel support.



MOORECO™



Low profile mount is perfect for media set ups where space is at a premium



ELEVATION FLAT PANEL FLOOR MOUNTS

- Now you can mount your largest flat panel display with confidence. Elevation Flat Panel Floor Mounts can hold a flat panel display up to 100" and 300 lbs.
- Two versions available to meet any need or budget: a manual height adjustable version and an electric adjustable version.
- Both flat panel mounts can be attached at a variety of heights along the floor mount stand. Mounting brackets range from 16.5"H at the bottom and 64" at the top, providing easy viewing for all ages and room arrangements.
- Fine tune your viewing height with the electric mount. A handy wired remote provides 18" of smooth height adjustment. Includes VESA mounting at 800x600mm.
- Stand rests on the floor for ultimate stability, and includes felt pads to protect floor finishes. Mounts securely to the wall with up to eight screws. Platinum powder-coat finish is scratch-resistant and looks good in any environment.

PART NO.	ITEM	DIMENSIONS	SHIP WT.
PRODUCT			
27767	Elevation Floor Mount Electric Height Adjustable Flat Panel Stand	67"H x 37.5"W	110 lbs
27768	Elevation Floor Mount Height Adjustable Flat Panel Stand	67"H x 38.4"W	76 lbs

*Ships UPS. Shipping weights are listed on a per item basis and may vary based on quantities ordered.



MOORECO™

MOORECO | VANERUM NORTH AMERICA
 2885 Lorraine Avenue | Temple, TX 76501
 p: 800.749.2258 | f: 866.888.7483
 www.moorecoinc.com | www.vanerumna.com