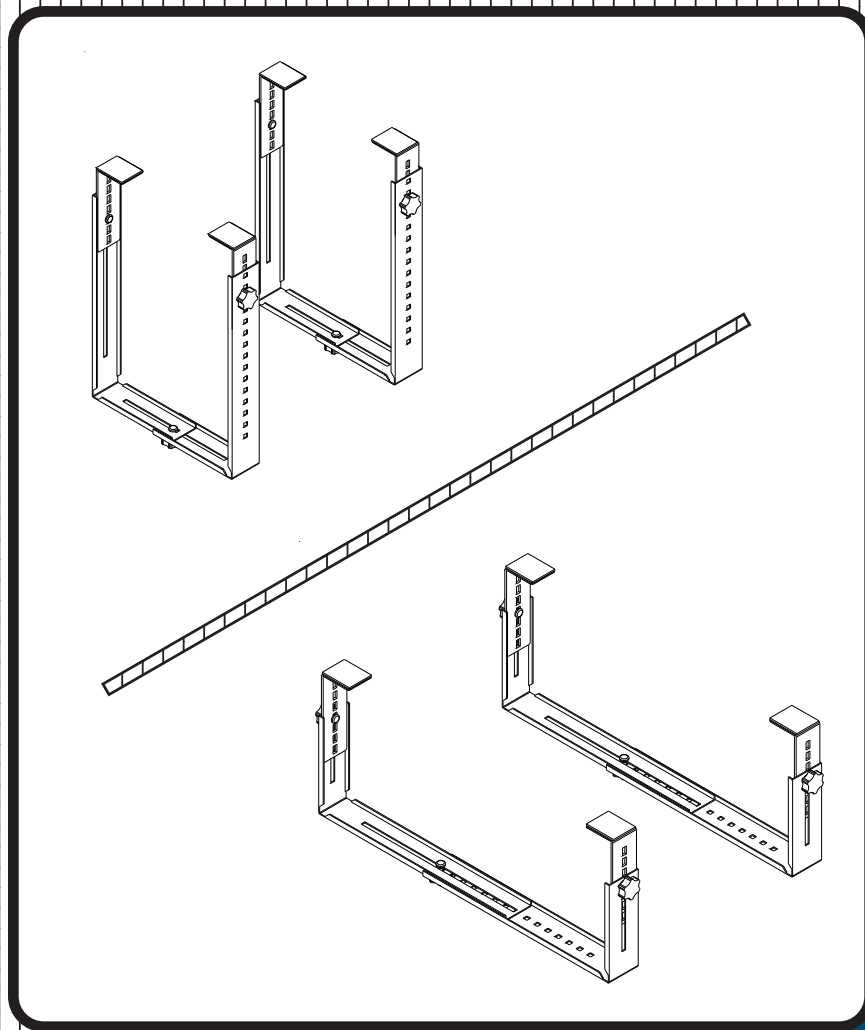
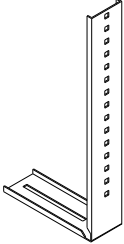
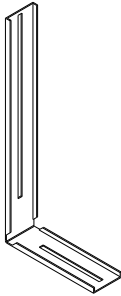

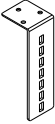


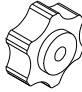
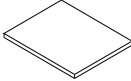


33550 CPU-RACK

Vertical / Horizontal CPU Holder

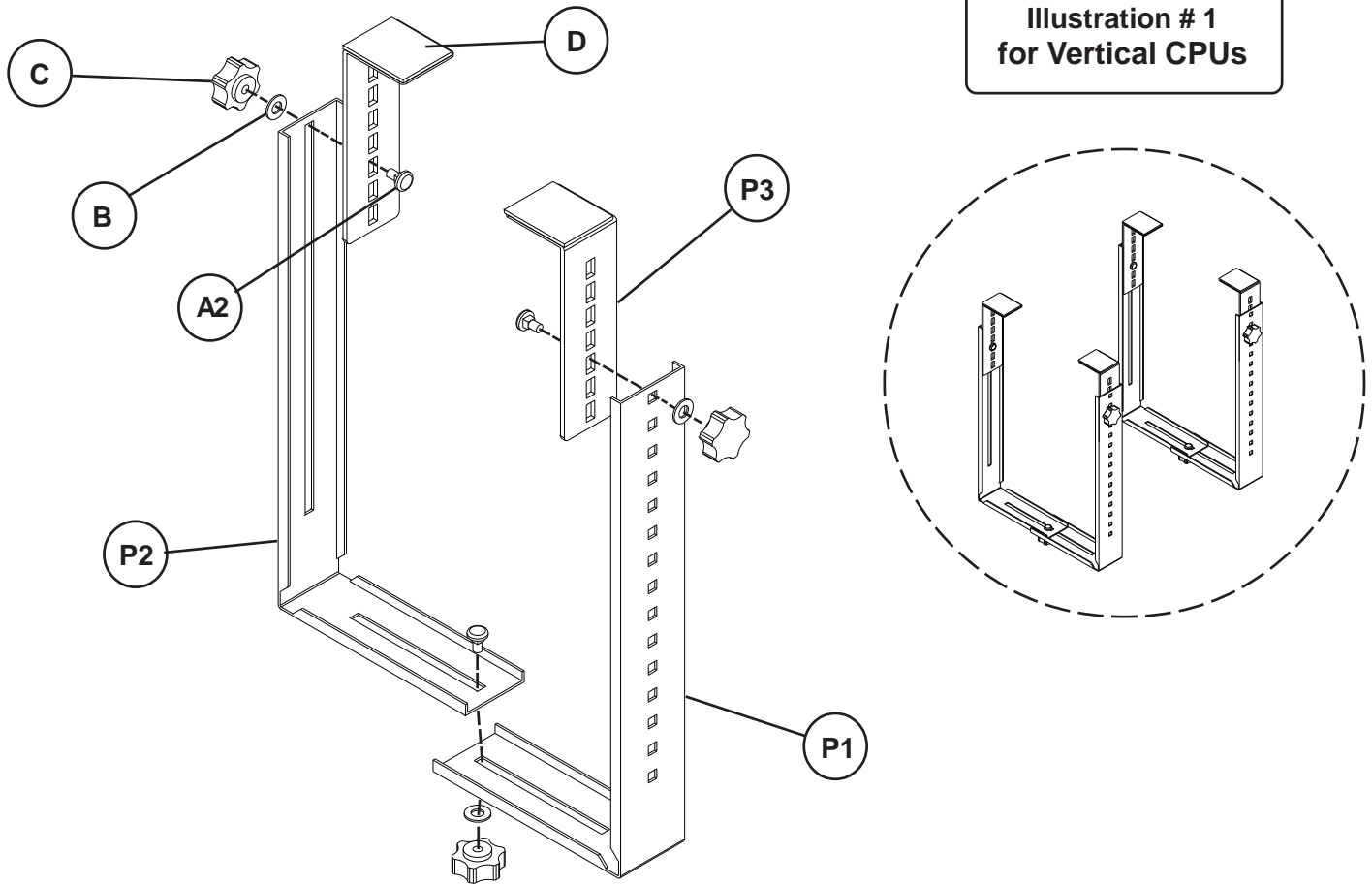


Assembly Instructions

Part	Drawing	Description	Qty	Part	Drawing	Description	Qty
P1		Outer Slide	2 EA	Hardware List			
P2		Inner Slide	2 EA	A1		Short Wood Screw	12 EA
P3		Mounting Bracket	4 EA	A2		Shoulder Bolt	6 EA
				B		Flat Washer	6 EA
				C		Knob	6 EA
				D		Adhesive Pad	4 EA
				Tools Required: Phillips Head Screw Driver (Power Screw Driver Preferred)			

33550 CPU-RACK (Vertical) Assembly Diagram

Illustration # 1
for Vertical CPUs



To Assemble: (Follow Illustration # 1 for VERTICAL or Illustration # 2 for HORIZONTAL)

1. Identify and Separate all the Parts and Hardware.
2. Assemble 1 Outer Slide (P1), 1 Inner Slide (P2), and 2 Mounting Brackets (P3) using 3 Shoulder Bolts (A2), 3 Flat Washers (B), and 3 Knobs (C) as shown in illustration # 1 (or # 2 for Horizontal).
Do not tighten all the way.
Repeat the process using the other Outer slide, Inner slide, and Mounting Brackets.
3. Adjust the width and height of these assemblies according to the size of your CPU, and tighten the Knobs. Remove the paper from one side of 4 Adhesive pads (D) and stick these on the Mounting Brackets (P3) as shown in illustration. Remove paper from the other side and stick these assemblies at the desired location.

33550 CPU-RACK (Horizontal) Assembly Diagram

Illustration # 2
for Horizontal CPUs

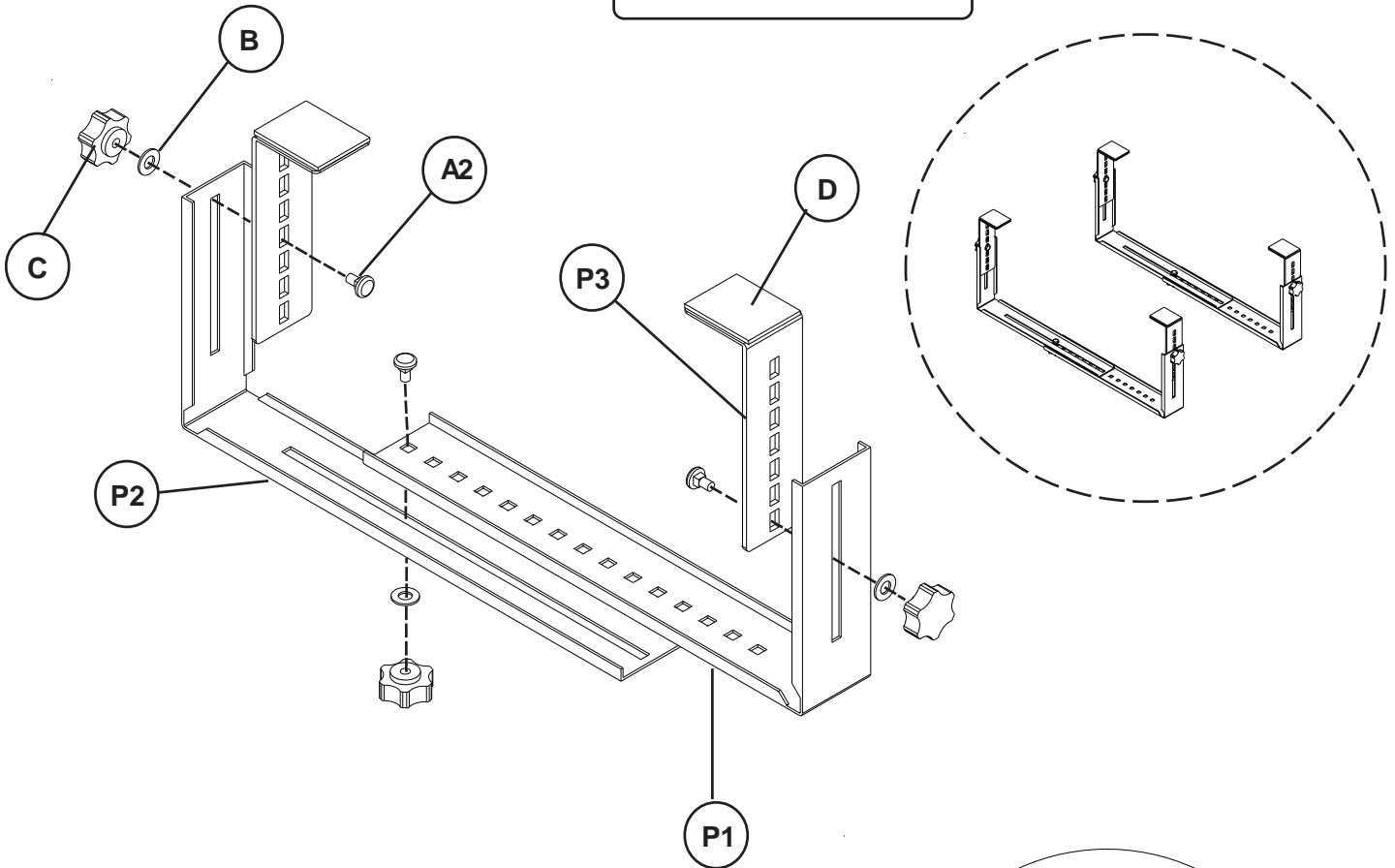
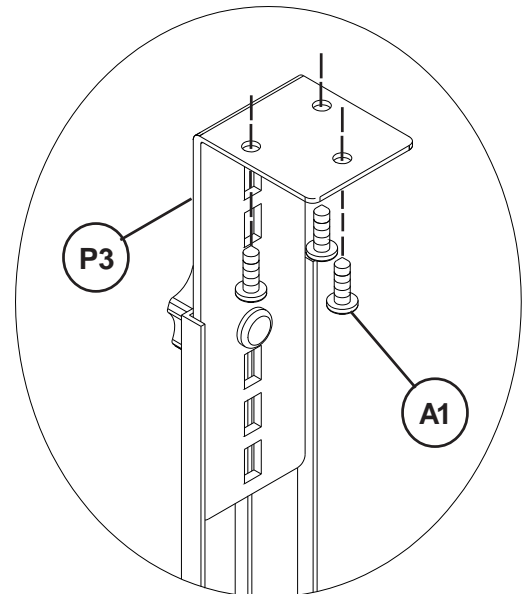


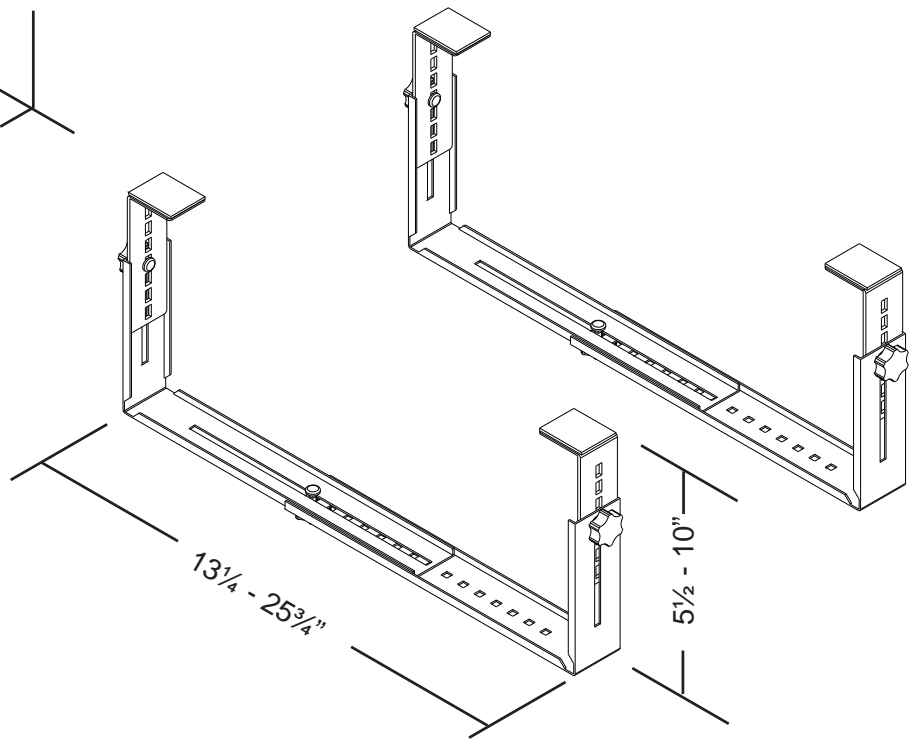
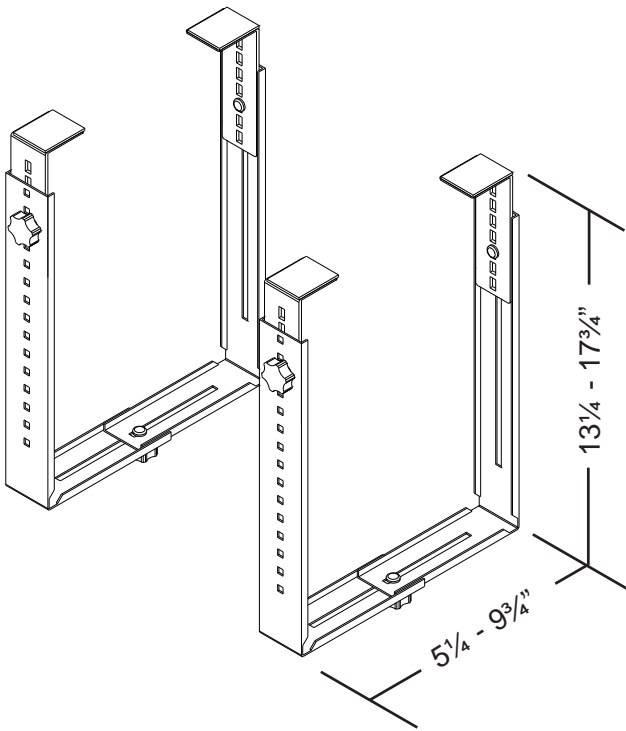
Illustration # 3

4. Attach 4 Mounting brackets (P3) to the bottom side of the Work surface using 12 wood screws (A1) as shown in illustration # 3. *Adhesive Pad (D) not shown on Illustration # 3.*

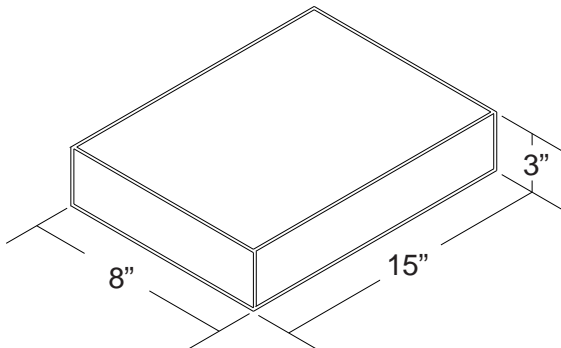


33550 CPU-RACK

Vertical / Horizontal CPU Holder



Shipping Information
0.2 Cubic Feet
5 lbs.



Used for fastening CPU underneath the desk
Vertically or Horizontally.

Black color, all Metal frames

Ships UPS.