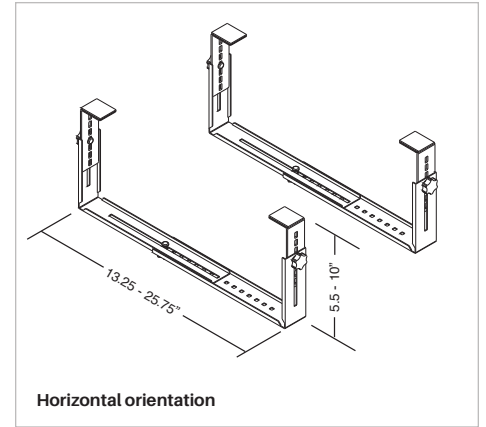


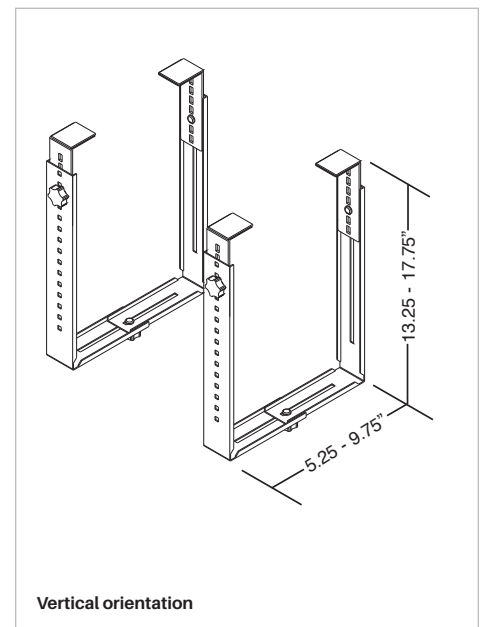


MOORECO™

Hanging CPU Holder



Horizontal orientation



Vertical orientation

Hanging CPU Holder

- Adjustable arms accommodate horizontal or vertical CPUs. Mounts to bottom of desktop or other work surface to save space.
- Accommodates a vertical CPU from 5.25" to 9.75"W and from 13.25" to 17.75"H. Accommodates a horizontal CPU from 5.5" to 10"H and from 13.25" to 25.75"W.



Part No.	Item	Product Dimensions	Ship Wt.
33550*	Hanging CPU Holder	5.13" - 13.13"H x 9.13" - 25.75"W	5 lbs

*Ships UPS. Shipping weights are listed on a per item basis and may vary based on quantities ordered.



MooreCo | Vanerum North America
 2885 Lorraine Avenue | Temple, TX 76501
 p: 800.749.2258 | f: 866.888.7483
www.moorecoinc.com | www.vanerumna.com