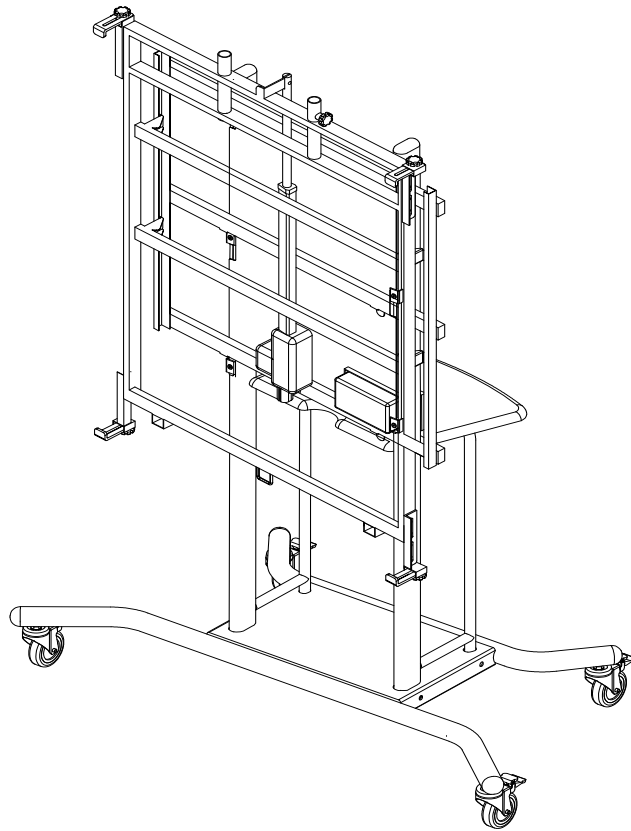
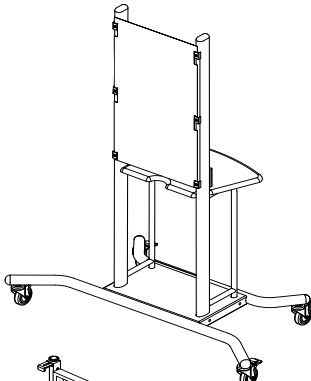
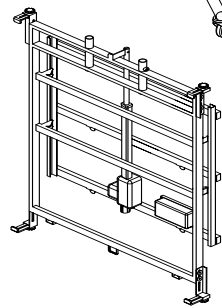


#27624 + #27606 iTeach 2 Stand



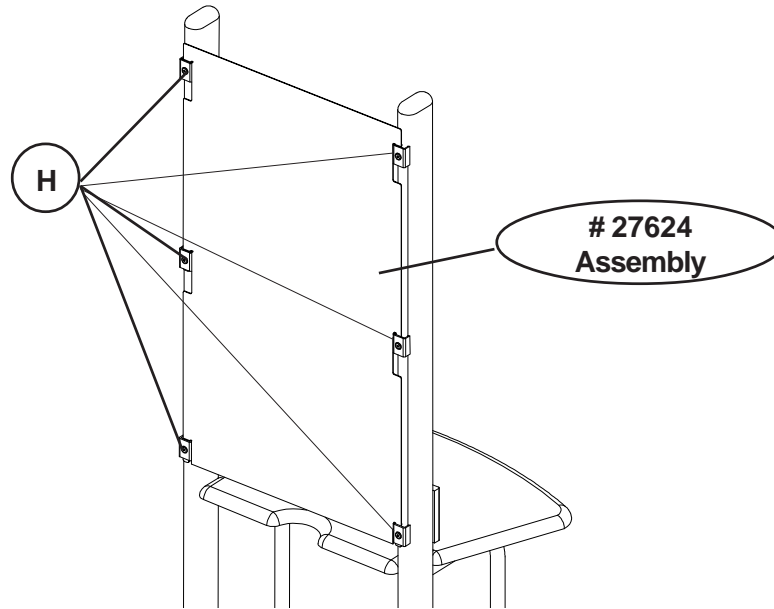
Assembly Instructions

#27624 + # 27606 iTeach 2 Stand

Part	Drawing	Description	Qty	Part	Drawing	Description	Qty
P-1		# 27624	1 EA				
P-2		# 27606	1 EA				

- 1.) Loosen the six Back Panel Screws (H) from Step #5 of the Elevation Mobile Stand (#27624) assembly instructions. See Illustration # 1.

Illustration # 1



- 2.) Take the assembly from the end of Step #3 of the iTeach Electric Wall Mount (#27606) and hook the mount tabs that are the back frame into the six brackets that the Back Panel of # 27624 is hooked into. See Illustration # 2.

27606
Assembly

27624
Assembly

- 3.) Retighten the six Back Panel Screws (H) to secure the two assemblies together. See illustration #3.

Illustration # 2

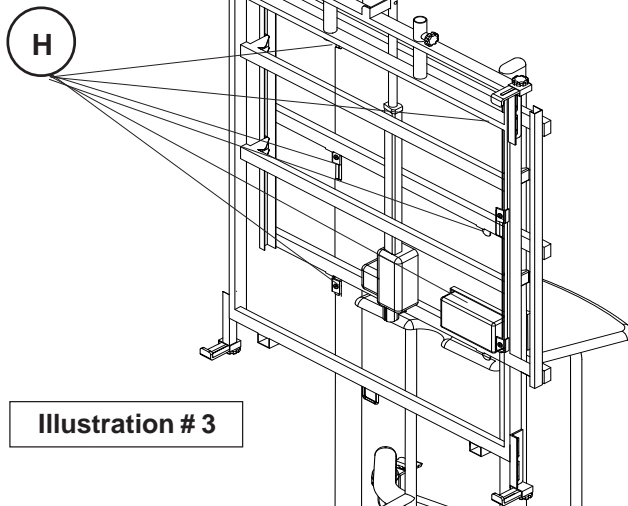


Illustration # 3