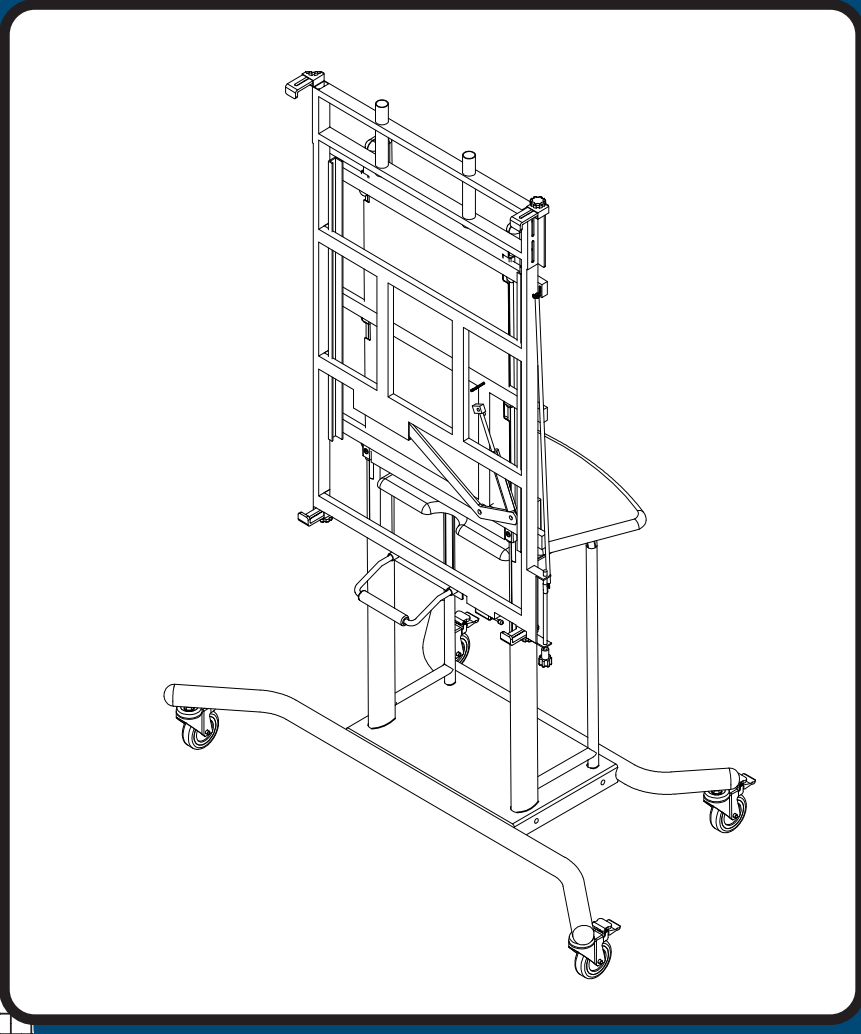


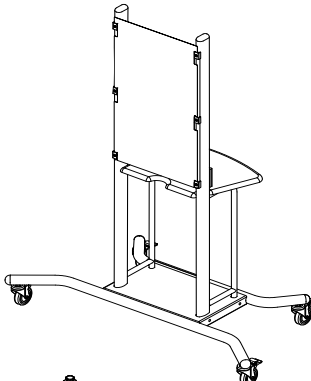
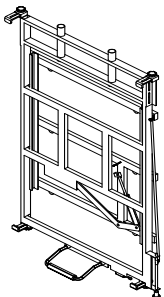


**#27624 + #27589**  
**Elevation Mobile Stand**



**Assembly Instructions**

# #27624 + # 27589 Elevation Mobile Stand

Part	Drawing	Description	Qty	Part	Drawing	Description	Qty
P-1		# 27624	1 EA				
P-2		# 27589	1 EA				

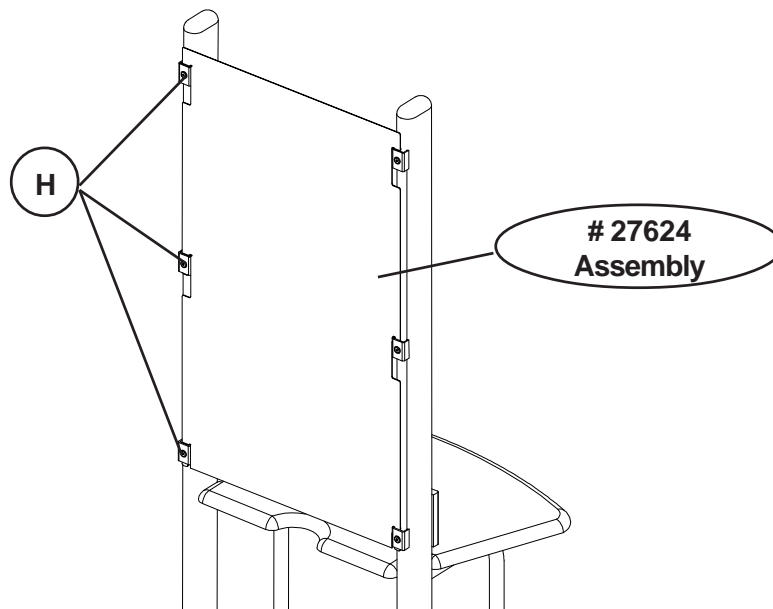
**Missing Parts or UPS Damaged Parts**  
 For Your Convenience you can  
 EMAIL us at  
**[support@moorecoinc.com](mailto:support@moorecoinc.com)**  
 24HOURS 7 DAYS A WEEK

***Should you require assistance during assembly,  
 please call our Customer Service Department  
 Monday - Friday 8 a.m. - 5 p.m.  
 Central Standard Time 1-800-749-2258***

Do not use unless all screws are tight. At least every six months, check all screws to be sure they are tight. If parts are missing, broken, damaged, or worn, stop use of the product until repairs are made by your dealer using factory authorized parts.

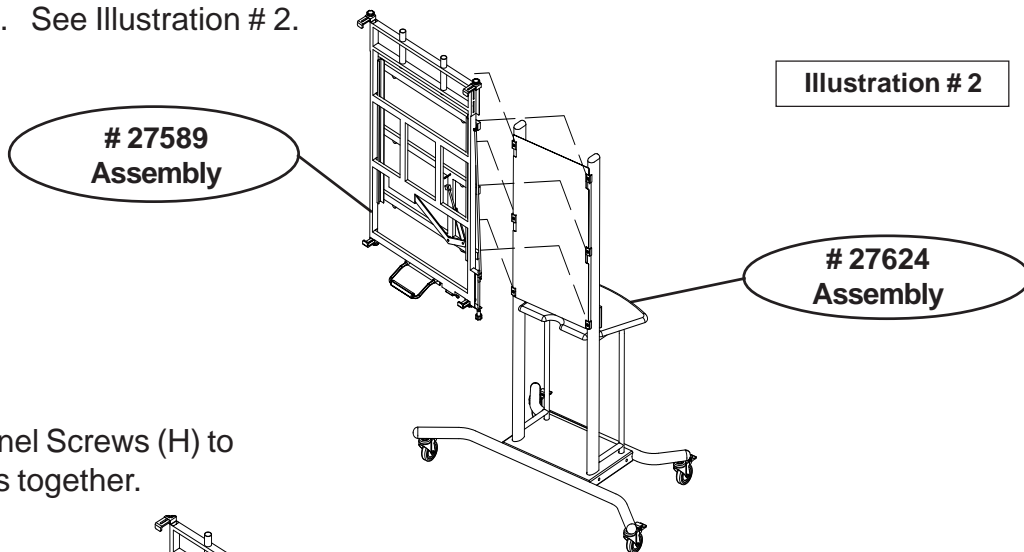
- 1.) Loosen the six Back Panel Screws (H) from Step #5 of the Elevation Mobile Stand (#27624) assembly instructions. See Illustration # 1.

Illustration # 1



- 2.) Take the assembly from the end of Step #3 of the Elevation Wall Mount (#27589) and hook the mount tabs that are on the back frame into the six brackets that the Back Panel of # 27624 is hooked into. See Illustration # 2.

Illustration # 2



- 3.) Retighten the six Back Panel Screws (H) to secure the two assemblies together.

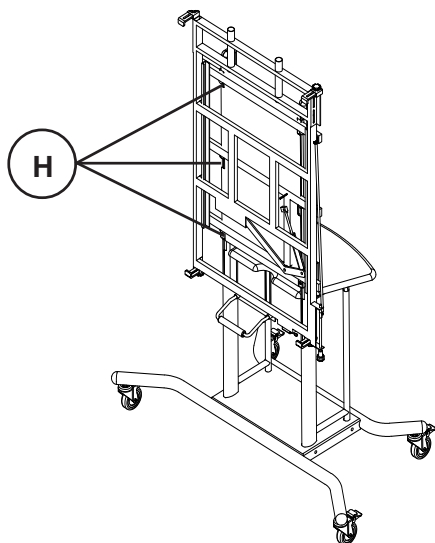


Illustration # 3