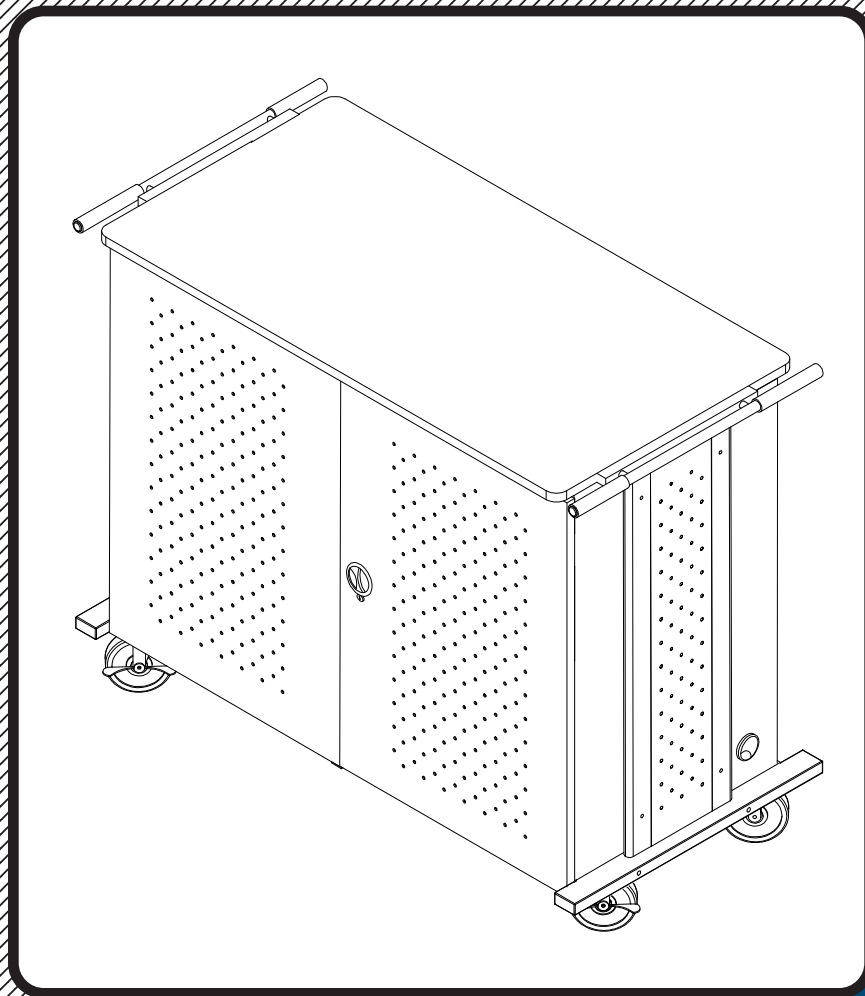
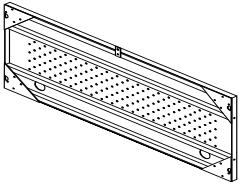
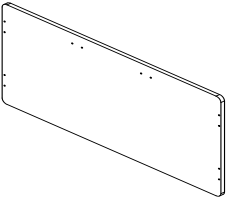

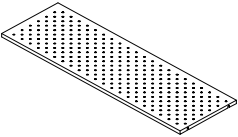
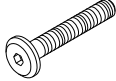
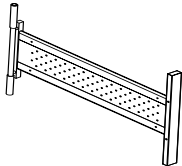
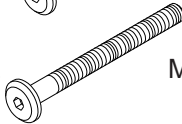
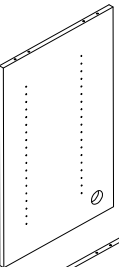

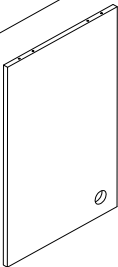

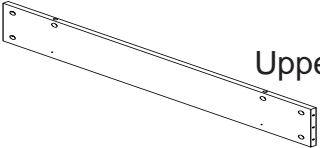

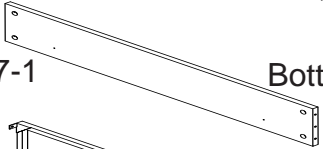

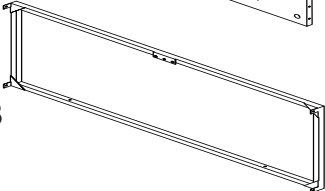
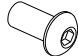

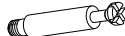
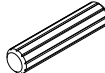
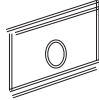

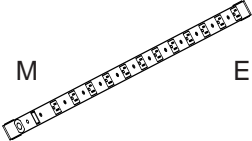


Odyssey Laptop Charging Cart

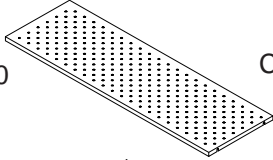


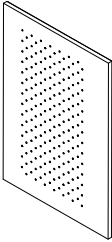
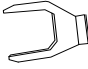
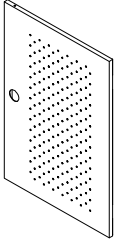

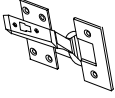




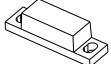



Assembly Instructions

Odyssey Laptop Charging Cart

Part	Drawing	Description	Qty	Part	Drawing	Description	Qty	
P1		Metal Base	1 EA	Hardware List				
P2		Top Panel	1 EA	A		M6X15mm Socket Screw	32 EA	
P3		Shelf	7 EA	A1		M6X45 mm Socket Screw	8 EA	
P4		Side Handle	2 EA	A2		M6X65 mm Socket Screw	4 EA	
P5		Left Side Panel	1 EA	B		Grommet Metal Base	4 EA	
P6		Right Side Panel	1 EA	C		4" Locking Plate Caster	2 EA	
P7		Upper Back Panel	1 EA	D		4" Caster	2 EA	
P7-1		Bottom Back Panel	1EA	F		Allen Wrench	1 EA	
P8				G		Tapped Rivet	8 EA	
				H		Cam	14 EA	
				I		Cam Posts	14 EA	
				J		Wood Dowel	8 EA	
				K		Electrical Mount	4 EA	
				L		Electrical Mount Screw M5	4 EA	
				M		Electrical Outlet-Large	2 EA	

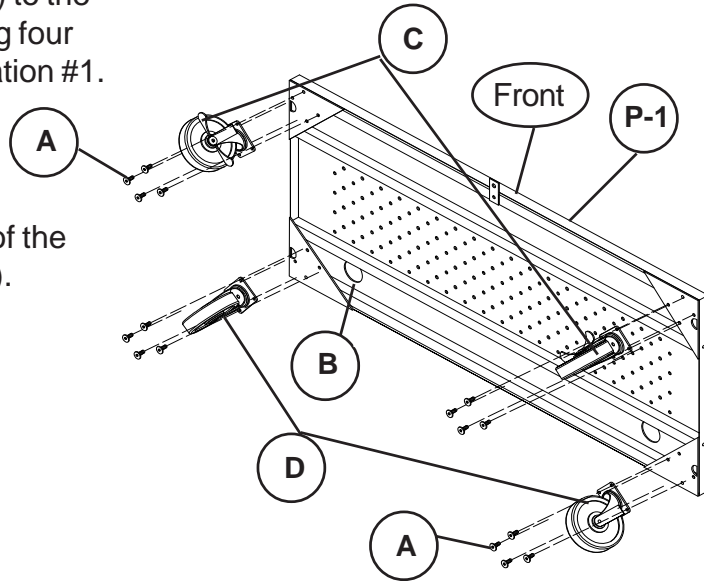
Odyssey Laptop Charging Cart

Part	Drawing	Description	Qty	Part	Drawing	Description	Qty
P10		Center Back Panel	1 EA	Hardware List			
P11		Vertical Support	2 EA	P		Back Lock	1 EA
P12		Left Door	1 EA	Q		Lock Clip	1 EA
P13		Right Door	1 EA	R		Shelf Pin	28 EA
				S		Door Hinge	4 EA
				T		Hinge Screw-Wood	16 EA
				U		Hinge Screw-Door	8 EA
				V		Grommet	2 EA
				W		Key Sets	2 EA
				X		Magnet	1 EA
				Y		Phillips Magnet Screws	2 EA

**READ THROUGH INSTRUCTIONS FROM
BEGINNING TO END BEFORE STARTING TO ASSEMBLE UNIT.**

- 1.) Identify and Separate all the Parts and Hardware.
- 2.) Attach two Locking Casters (C) to the bottom front and two Non-Locking Casters (D) to the bottom rear of Metal Base (P-1) using four Screws (A) for each caster. See Illustration #1.

Illustration # 1



- 2a.) Place a Grommet- Base (B) in each of the two large holes in the Metal Base (P1).

- 3.) Attach one of the Side Handles (P-4) to the left side of Metal Base (P-1) using two Screws (A2) as shown in Illustration #2.

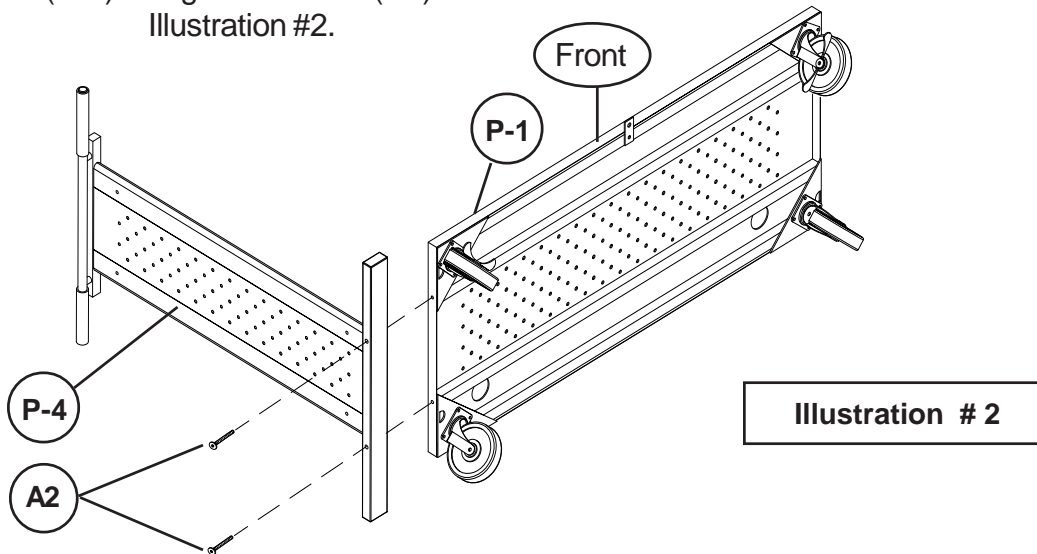
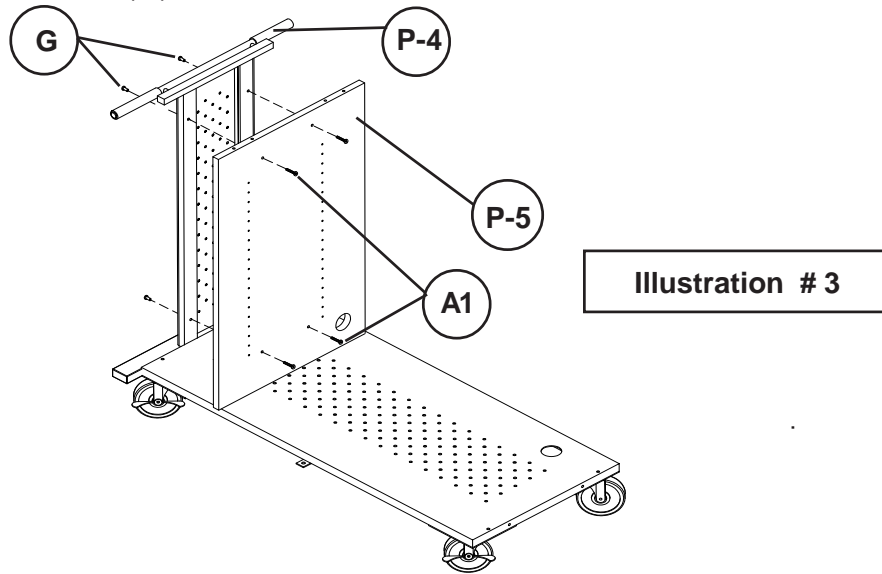
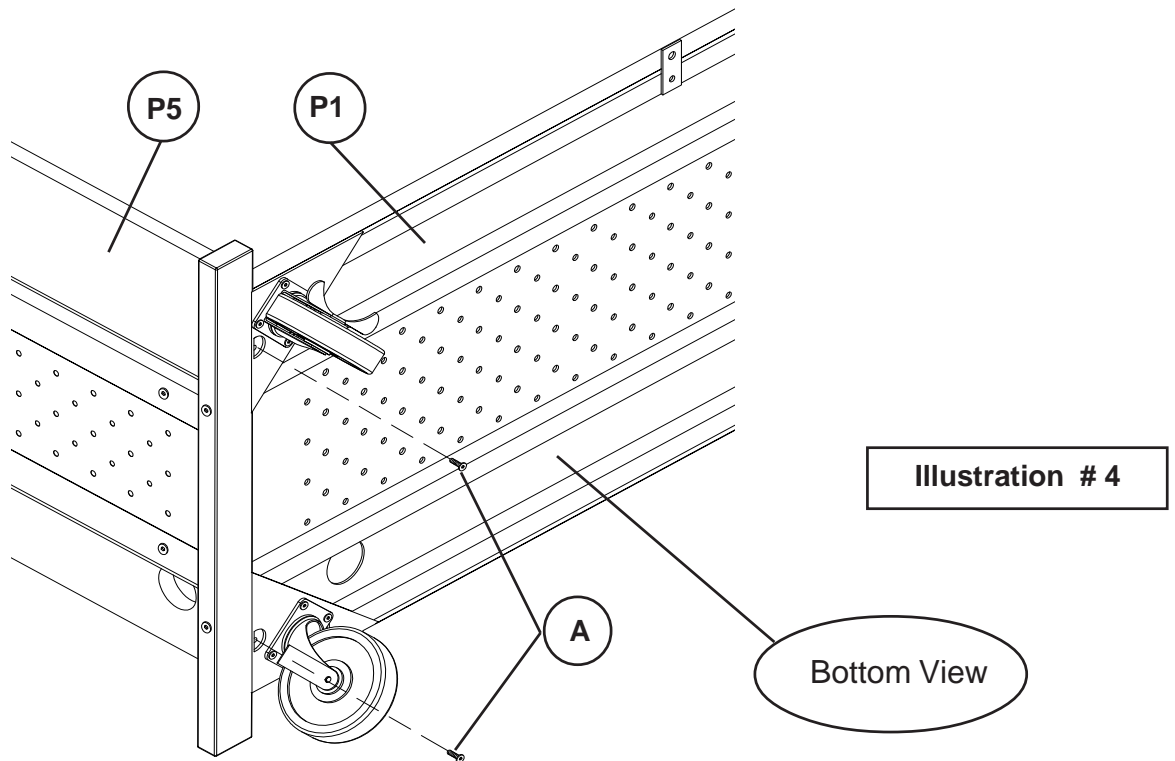


Illustration # 2

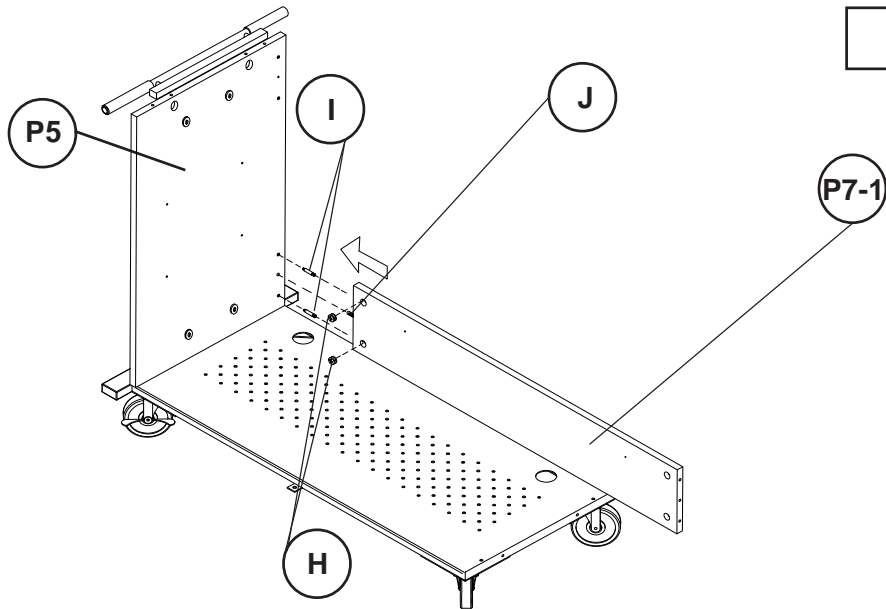
4.) Attach the Left Side Panel (P5) to the Side Handle (P4) using four Screws (A1) and four Tapped Rivets (G) as shown in Illustration # 3.



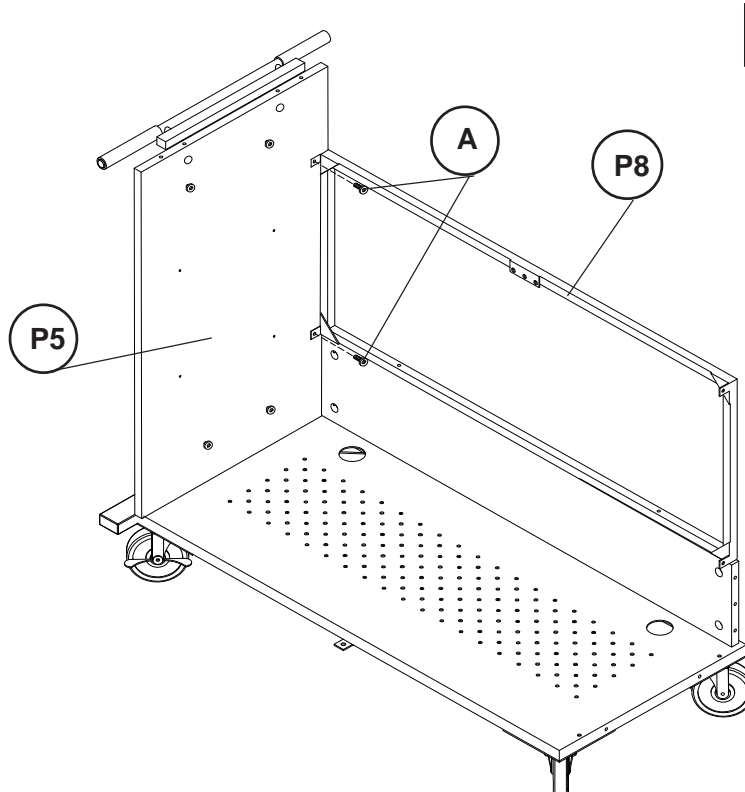
5.) Secure the Left Side Panel (P5) to the Metal Base (P1) using two Screws (A) as shown in Illustration # 4.



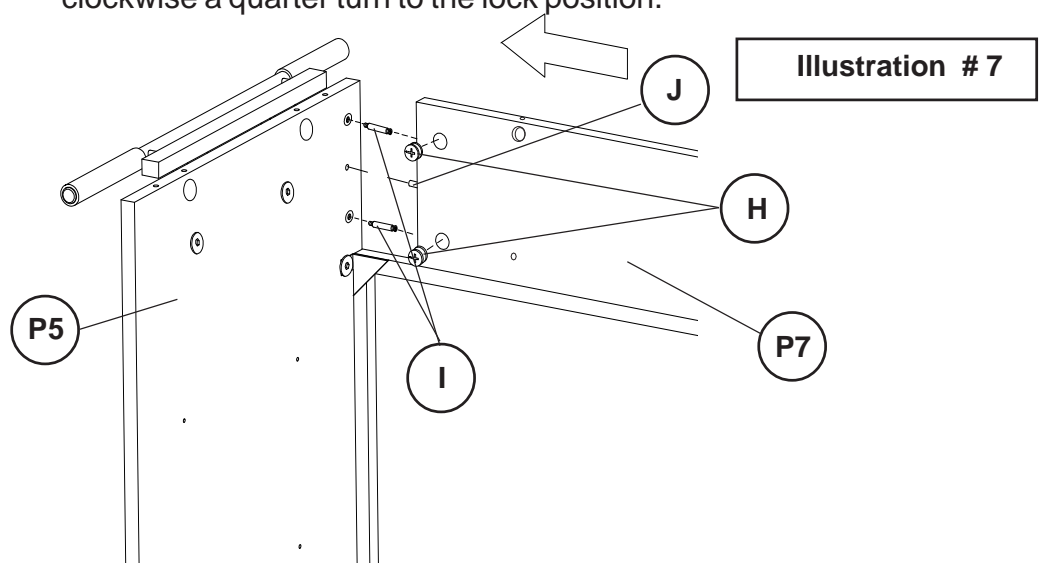
- 6.) Screw in two Cam Posts (I) into the embedded plastic inserts in the Left Side Panel (P5) as shown in Illustration # 5. Install two Cams (H) into the large holes in the Bottom Back Panel (P7-1). Install a Wood Dowel (J) in the center hole on the edge of the Bottom Back Panel (P7-1). With the Cam's (H) arrows pointed at the Cam Posts (I), slide the Bottom Back Panel (P7-1) into place and turn the Cam's (H) clockwise a quarter turn to the lock position.



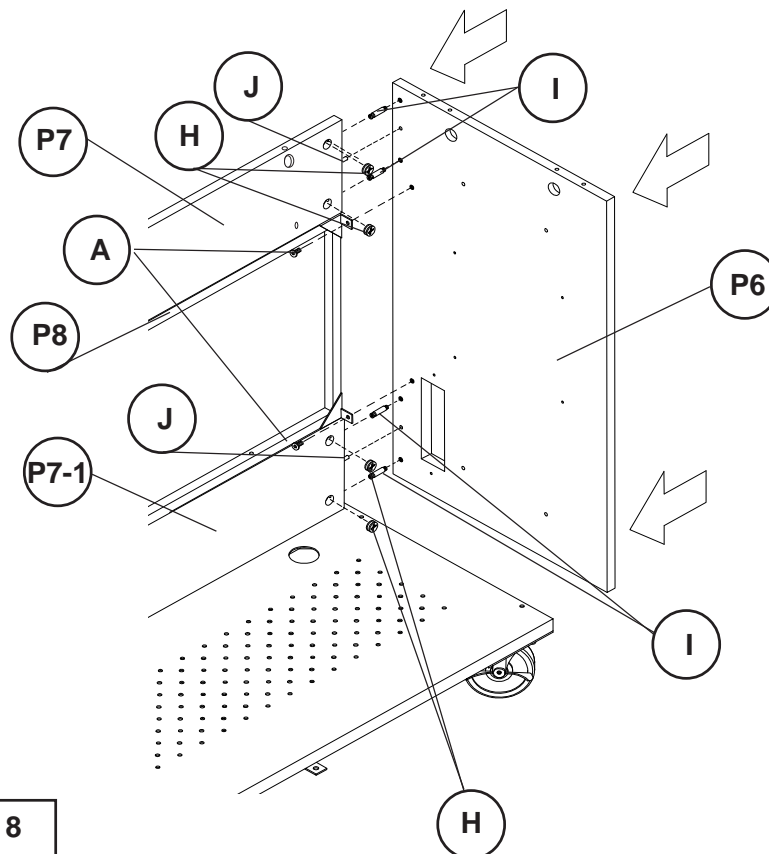
- 7.) Center the Back Frame (P8) over the two embedded threaded metal inserts in the Left Side Panel (P5) and secure with two Screws (A) as shown in Illustration # 6.



- 8.) Screw in two Cam Posts (I) into the embedded plastic inserts in the Left Side Panel (P5) as shown in Illustration # 5. Install two Cams (H) into the large holes in the Upper Back Panel (P7). Install a Wood Dowel (J) in the center hole on the edge of the Upper Back Panel (P7). With the Cam's (H) arrows pointed at the Cam Posts (I), slide the Upper Back Panel (P7) into place and turn the Cams clockwise a quarter turn to the lock position.



- 9.) Place two Cams (H) in the Upper Back Panel (P7) and two Cams (H) in the Bottom Back Panel (P7-1) making sure the arrows on the Cams (H) are pointed to the right as shown in Illustration # 8. Push in one Wood Dowel (J) into the edge of the Upper Back Panel (P7) and one Wood Dowel (J) into the edge of the Bottom Back Panel (P7-1). Screw in four Cam Posts (I) into the the Right Side Panel (P6). Move the Right Side Panel (P6) in to connect. Turn the Cams (H) a quarter turn to lock. Secure the Back Frame (P8) to the Right Side Panel (P6) using two Screws (A).



10.) Attach the Right Side Panel (P6) to the Side Handle (P4) using four Screws (A1) and four Tapped Rivets (G) as shown in Illustration # 9.

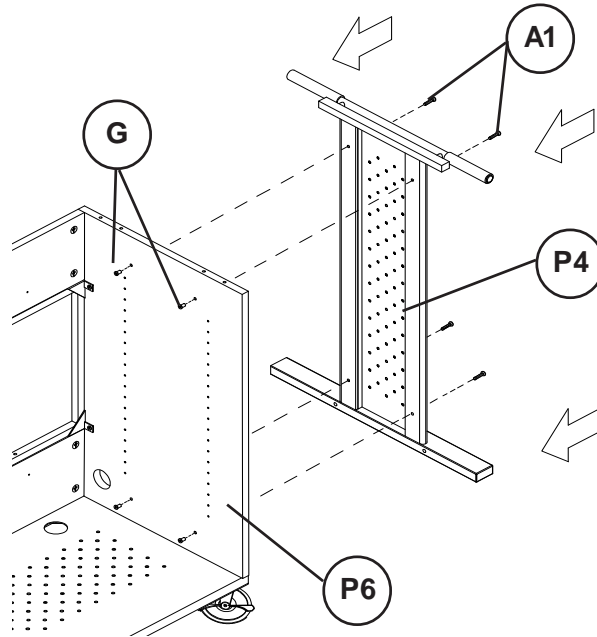


Illustration # 9

11.) Secure the Right Side Panel (P6) to the Metal Base (P1) using two Screws (A) as shown in Illustration # 10.

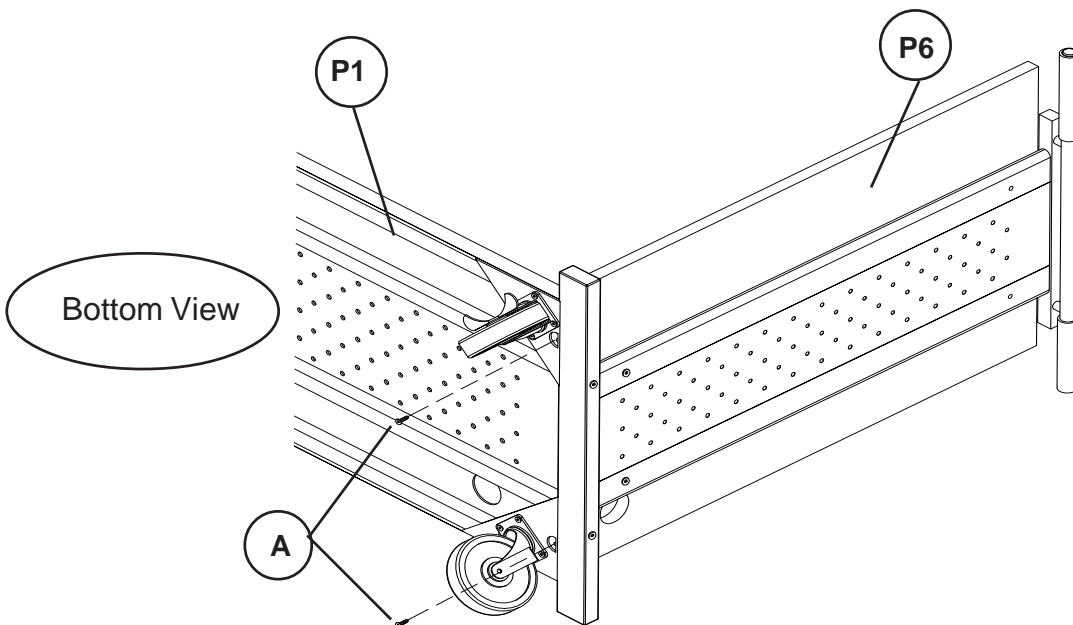


Illustration # 10

- 12.) Insert two Cams (H) into the top of the Left Side Panel (P5) and one into the top left of the Back Panel (P7) making sure the arrow on the Cams (H) are pointed up. Press in two Wood Dowels (J) into the top edge of the Left Side Panel (P5). Screw in three Cam Posts (I) into the bottom left of the Top Panel (P2) as shown in Illustration # 11. Repeat these same Steps to install Cams(H), Wood Dowels (J) and Cam Posts (I) into the Right Side Panel (P6), the Back Panel (P7) and under the right bottom of the Top Panel (P2). Lower the Top Panel (P2) down onto the assembly and turn the Cams a quarter turn to lock into place.

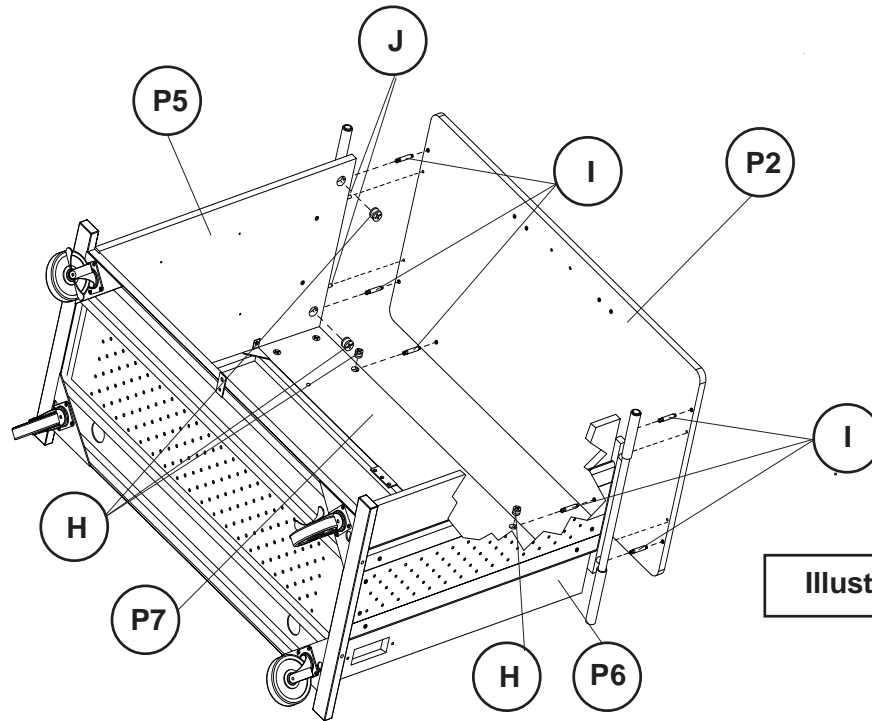


Illustration # 11

- 13.) Place the Back Lock (P) into the Center Back Panel (P10) from the outside and in. Use the Lock Clip (Q) on the back side of the Back Lock (P) to secure it in place. Place the bottom pegs on the Center Back Panel (P10) into the two holes in the bottom of the Back Frame (P8) and lock the Back Lock (P) to keep the Center Back Panel (P10) in place. See Illustration # 12.

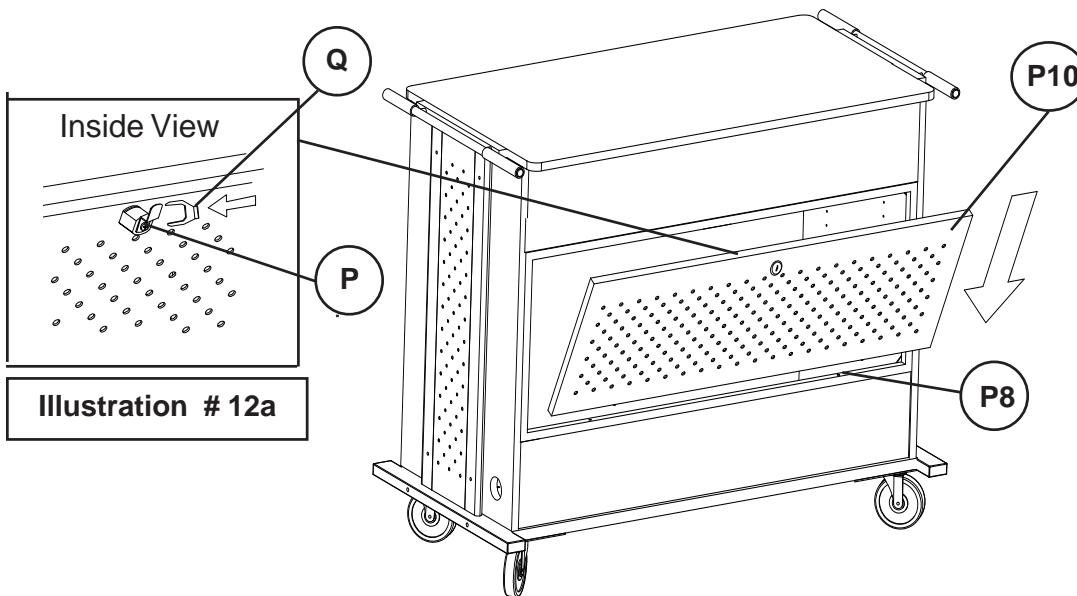


Illustration # 12a

Illustration # 12

- 14.) Attach two Electrical Mounts (K) to the top Back Panel (P7) and two to the bottom Back Panel (P7) using one Electrical Mount Screw (L) into each embedded threaded insert as shown in Illustration # 13.

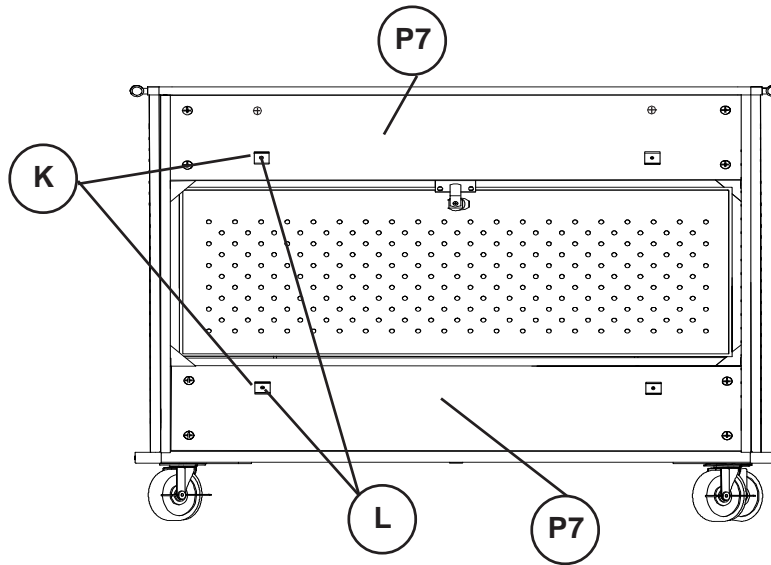


Illustration # 13

- 15.) Snap in a large Electrical Strip (M) into the top Electrical Mounts (K) with the cord exiting to the right. Snap in a second large Electric Strip (M) into the bottom Electrical Mounts (K) with the cord exiting to the left as shown in Illustration # 14.

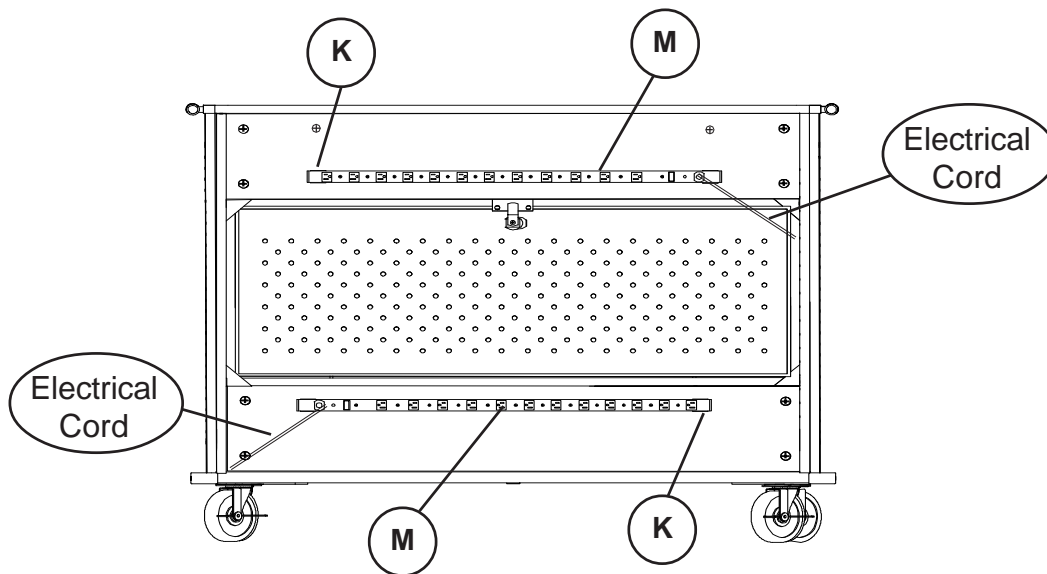


Illustration # 14

- 16.) Insert the Shelf Pins (R) into the predrilled shelf location holes in the Right Side Panel (P6) and the Left Side Panel (P5) as shown in Illustration #15a. Place each Shelf (P3) on the Shelf Pins (R) making sure the notches in the side flanges on each Shelf (P3) hook onto the Shelf Pins (R).

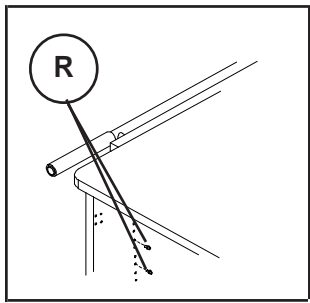


Illustration # 15a

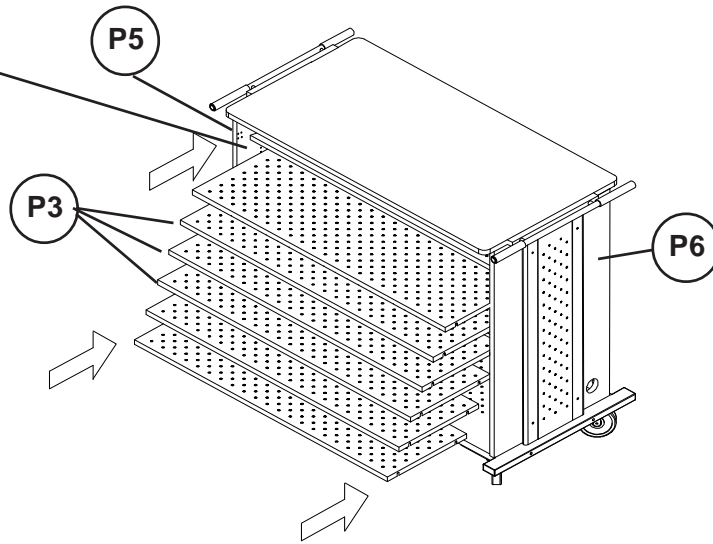


Illustration # 15

- 17.) Attach the two Vertical Supports (P11) to the Top Panel (P2) and to the Metal Base (P1) using Screws (A) into the threaded holes as shown in Illustration #16.

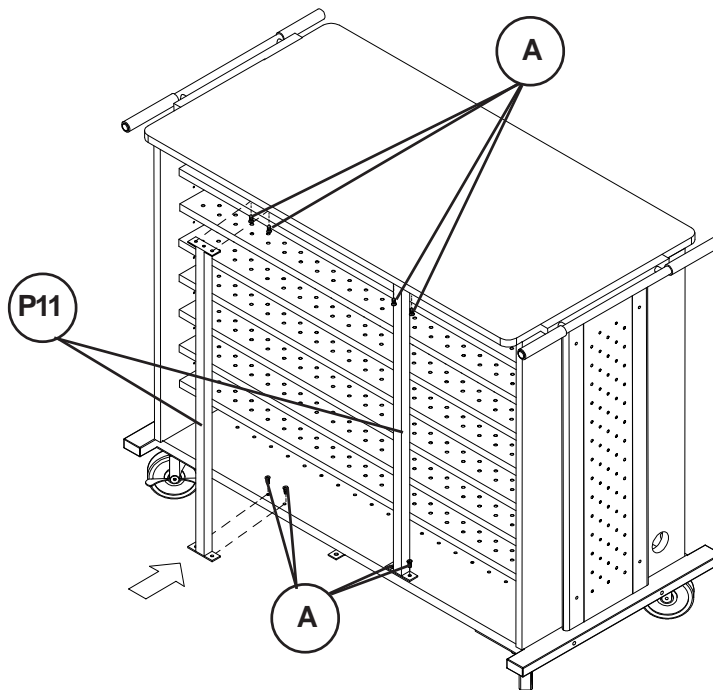


Illustration # 16

- 18.) Attach two Door Hinges (S) to the Left Side Panel (P5) using four Hinge Screws -Wood (T) into the prdrilled locate holes for each hinge. Attach the Left Door (P12) to the Door Hinges (S) using two Hinge Screws-Metal (U) as shown in Illustration #17.

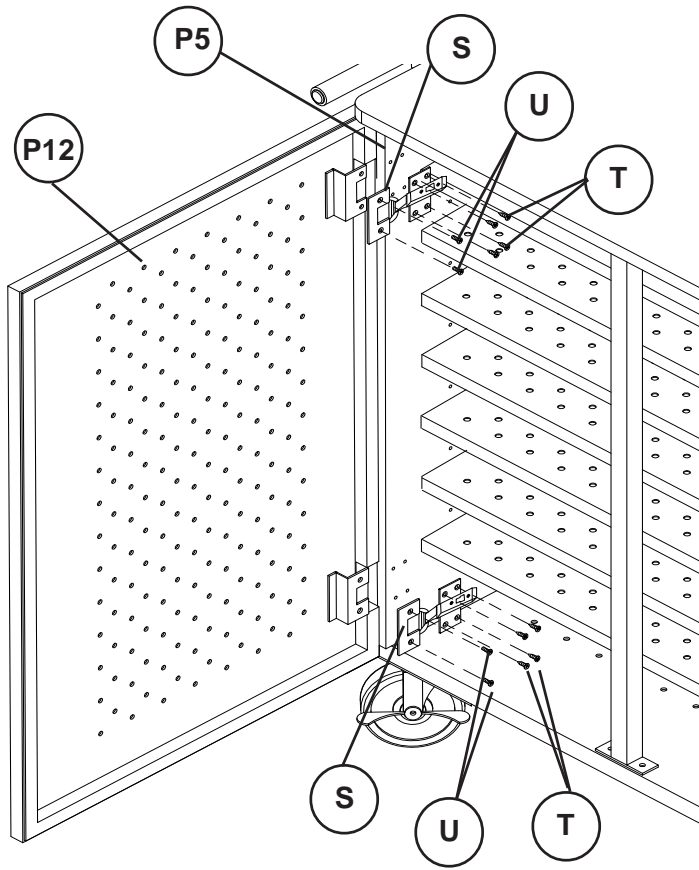


Illustration # 17

- 19.) Repeat Step 18 to install the Right Door (P13) to the Right Side Panel (P6) as shown in Illustration # 18.

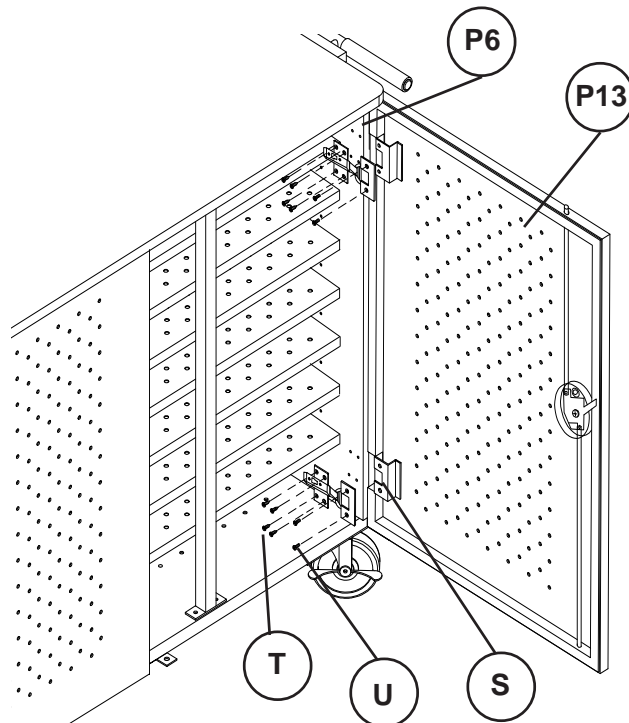


Illustration # 18

- 20.) Push in a Grommet (V) into the large hole at the bottom of the Right Side Panel (P6) and Left Side Panel (P5)

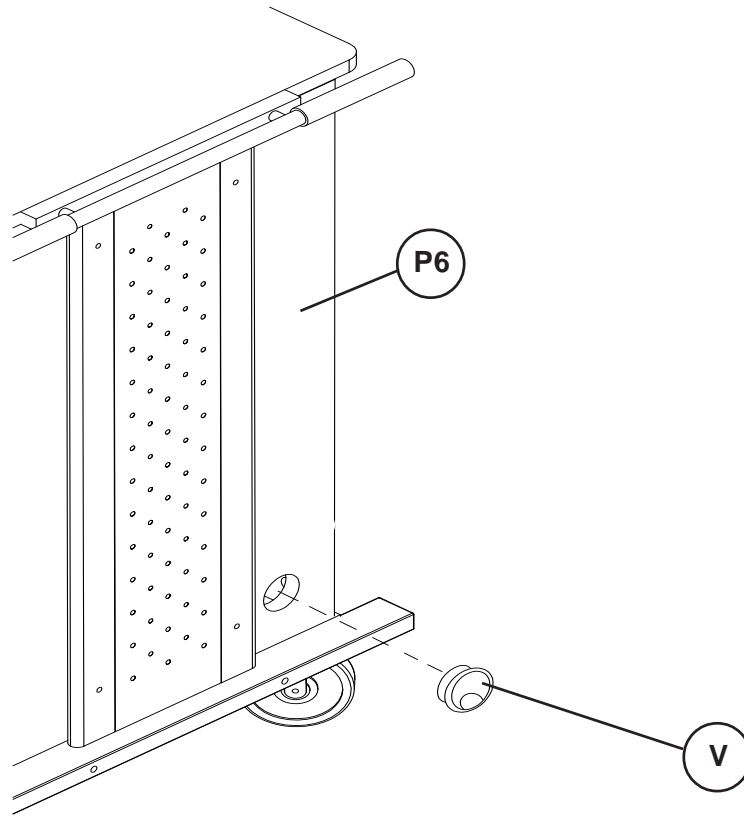
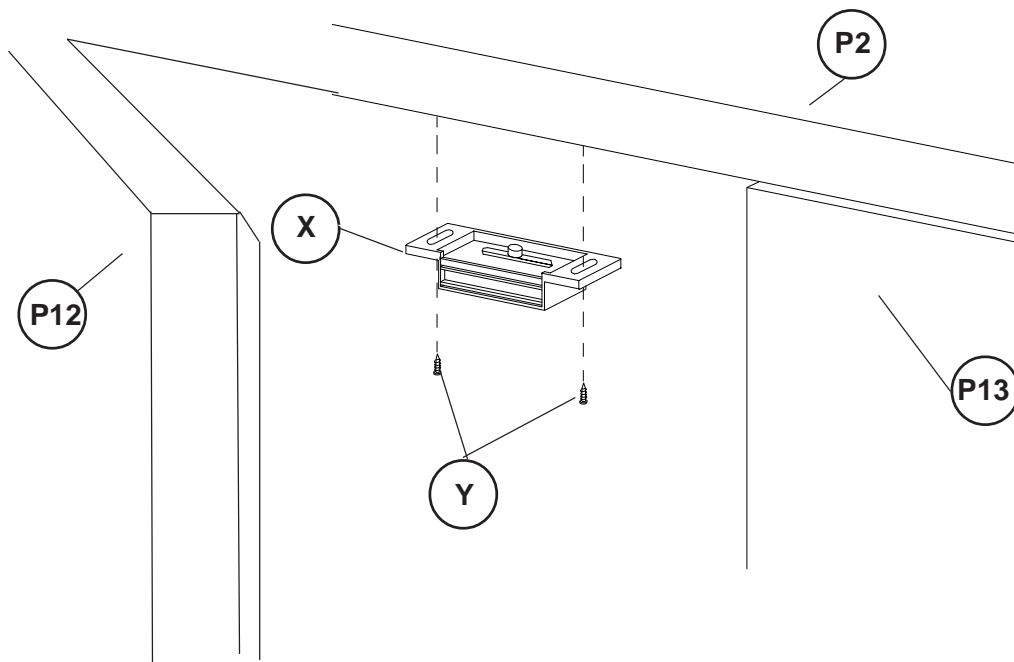


Illustration # 19

- 21.) Install Magnet (X) under the Top Panel (P2) in the front center so it catches and holds the Left Door (P12) when it is closed. Use two Magnet Screws (Y) to secure.



27652,27655_5-14-14