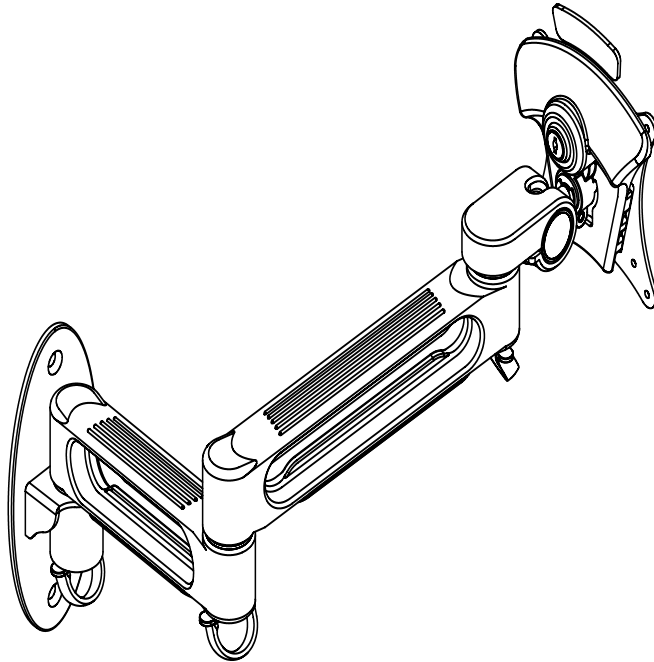




# DUAL ARM WALL MOUNT

**BLT-66582**



For Flat Panels Up To 23"

## Assembly Instructions

# FLAT PANEL WALL MOUNTS

## **DISCLAIMER**

MooreCo, Inc. makes no claim that the information contained herein covers all details, conditions, variations, nor does it provide for every possible contingency in connection with the installation or use of this product.

## **IMPORTANT WARNINGS AND CAUTIONS**

Failure to provide adequate structural strength for the installation of this kit can result in serious personal injury or damage to the equipment! It is the installer's responsibility to make sure the structure to which this mount is attached can support three times the combined weight of all equipment.

It is also the installer's responsibility to determine the type of wall and the best wall mounting hardware to use for the safe installation of this equipment. Follow the hardware suppliers instructions for the correct predrill and hole depth for your wall and the type anchor you have chosen.

## **WARNING**

**This mount is designed for up to a 23" Flat Panel Monitor. Do not exceed this size limit or hang additional items from this mount.**

### **Missing Parts or UPS Damaged Parts**

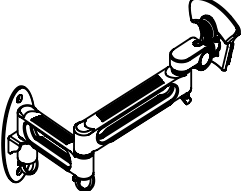
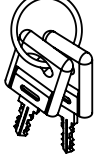
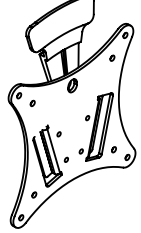
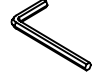
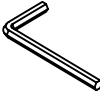
For Your Convenience you can  
EMAIL us at

**[furniture@baltinc.com](mailto:furniture@baltinc.com)**  
24HOURS 7 DAYS A WEEK

***Should you require assistance during assembly,  
please call our Customer Service Department  
Monday - Friday 8 a.m. - 5 p.m.  
Central Standard Time 1-800-749-2258***

Do not use unless all screws are tight. At least every six months, check all screws to be sure they are tight. If parts are missing, broken, damaged, or worn, stop use of the product until repairs are made by your dealer using factory authorized parts.

# #66582 Dual Arm Wall Mount

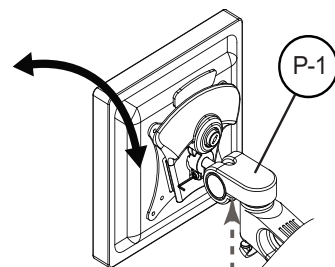
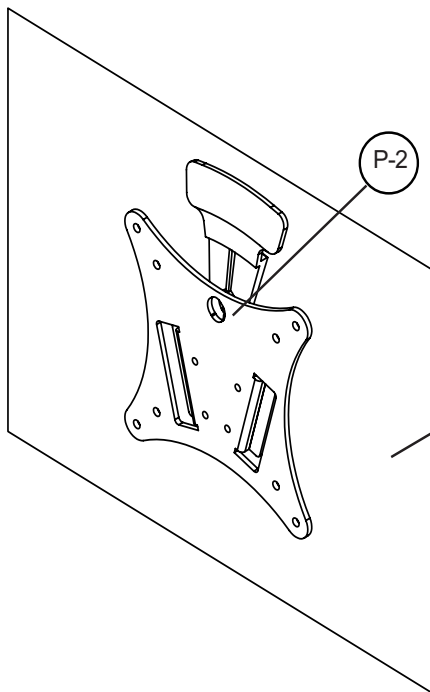
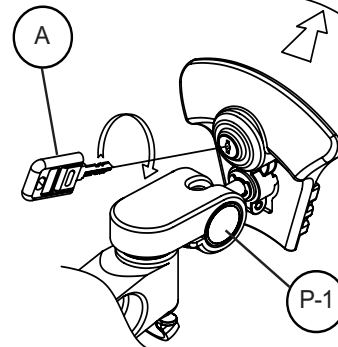
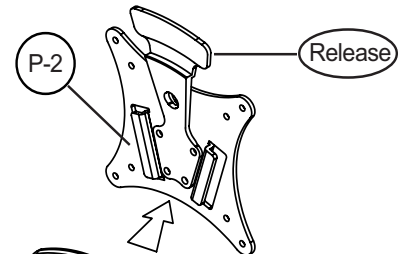
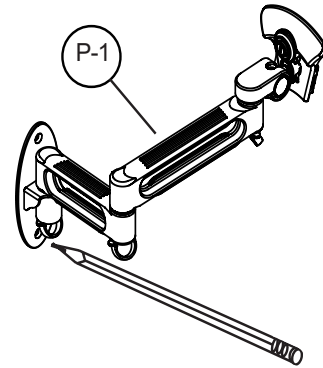
Part Drawing	Description	Qty	Part Drawing	Description	Qty
P-1	 DA Wall Mount	1 EA	A	 Keys	1 Set
P-2	 TV Mount Plate	1 EA	B	 Allen Wrench	1 EA
			C	 Allen Wrench	1 EA

**Missing Parts or UPS Damaged Parts**  
 For Your Convenience you can  
 EMAIL us at  
**[furniture@baltinc.com](mailto:furniture@baltinc.com)**  
 24HOURS 7 DAYS A WEEK

# **BLT-66582 Dual Arm Wall Mount**

1. Locate and mark the mounting holes for the Dual Arm Wall Mount (P-1) on your wall.
2. Using the correct mounting bolts, anchors or screws (see **WARNINGS** on page 2) for the type wall you have, attach the Dual Arm Wall Mount (P-1) to the wall.

3. Use one of the Keys (A) to unlock the Flat Panel TV Mount Plate (P-2). Press the blue plastic release and pull the plate up to remove it from the Dual Arm Wall Mount (P-1). Position the TV Mount Plate (P-2) on the back of your Flat Panel TV. Use the mounting hardware that came with your TV to attach the mount plate to your Flat Panel Monitor / TV.



4. To adjust the angle and tension of your Dual Arm Wall Mount (P-1), use Allen Wrench (B) or (C) to loosen, set and tighten the Allen Screws under (P-1) to change your angle and set your tension.

