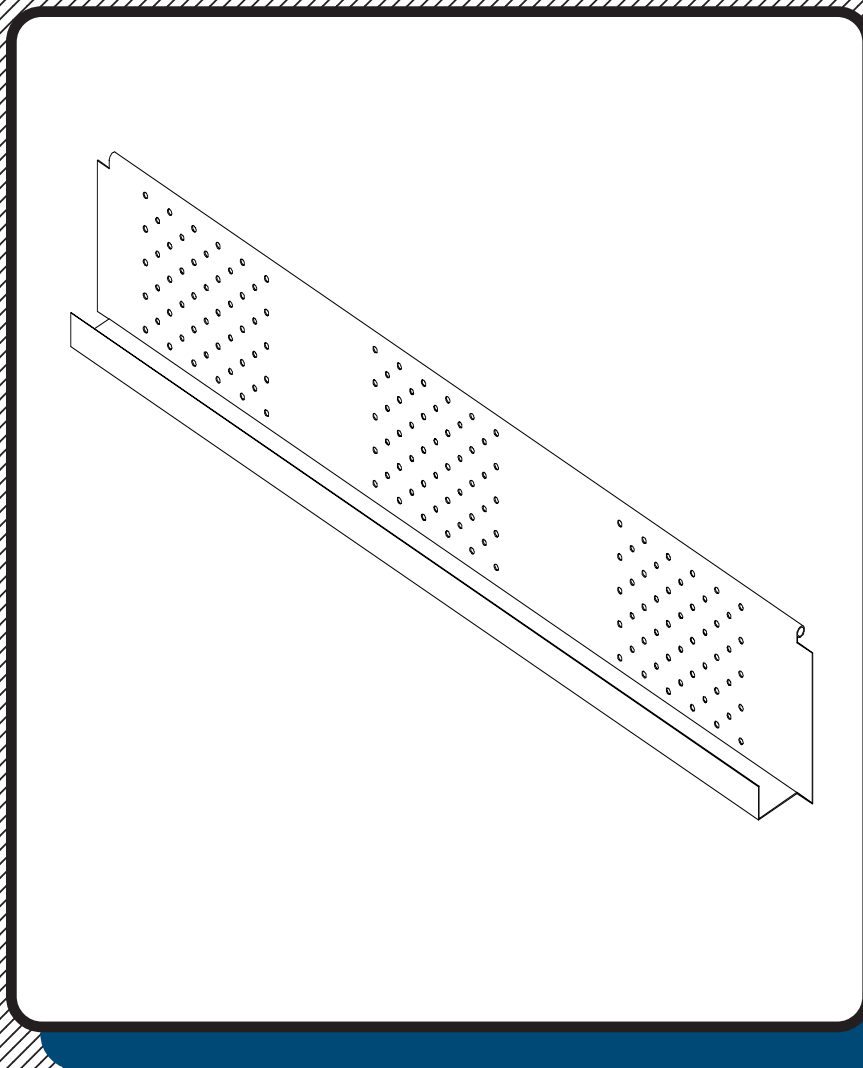


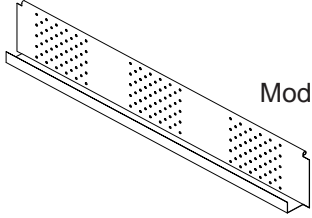
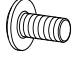

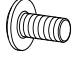

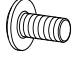

66626

# Height Adjustable Flipper 60" Modesty Panel



## Assembly Instructions

# Height Adjustable Flipper 60" Modesty Panel

Part	Drawing	Description	Qty	Part	Drawing	Description	Qty								
P1		Modesty Panel	1 EA	<b>Hardware List</b> <table style="width: 100%; border-collapse: collapse;"> <tr> <td style="width: 5%;">A</td> <td style="width: 10%;"></td> <td style="width: 55%;">M6*18mm Socket Screw</td> <td style="width: 30%;">3 EA</td> </tr> <tr> <td>B</td> <td></td> <td>Allen Wrenchr</td> <td>1 EA</td> </tr> </table>				A		M6*18mm Socket Screw	3 EA	B		Allen Wrenchr	1 EA
A		M6*18mm Socket Screw	3 EA												
B		Allen Wrenchr	1 EA												

# Assembly Diagram

**READ THROUGH INSTRUCTIONS FROM BEGINNING TO END BEFORE STARTING TO ASSEMBLE UNIT.**

- 1.) Identify and Separate all the Parts and Hardware.
- 2.) Attach the Modesty Panel (P1) to the Bottom Support of your table assembly using three Screws (A) as shown in Illustration #1. See the position options for mounting the Modesty Panel listed below. Tighten Screws (A) using Allen Wrench (B).

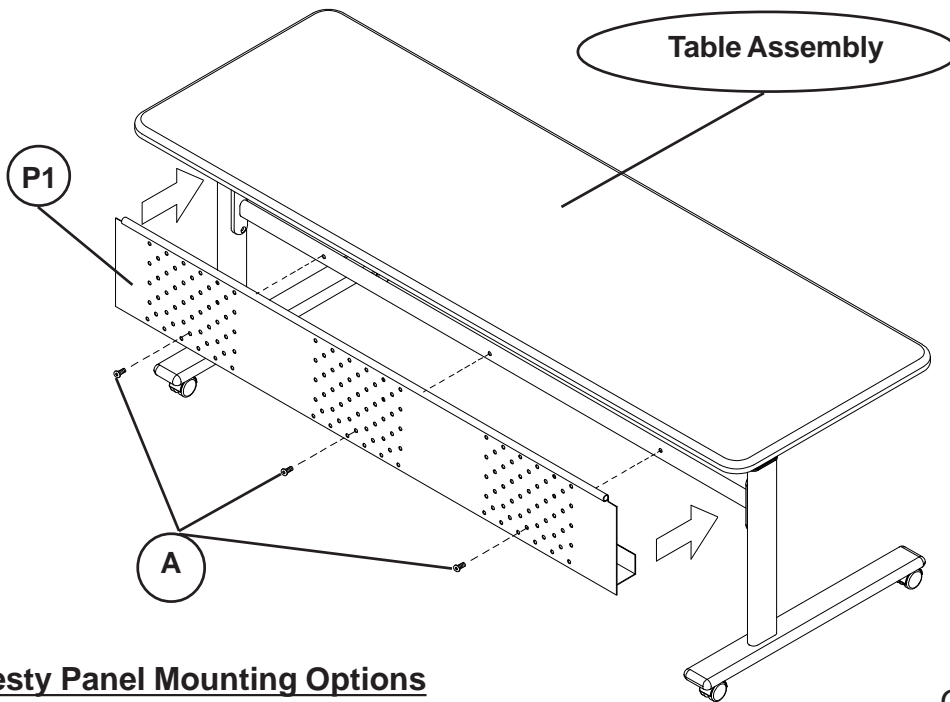
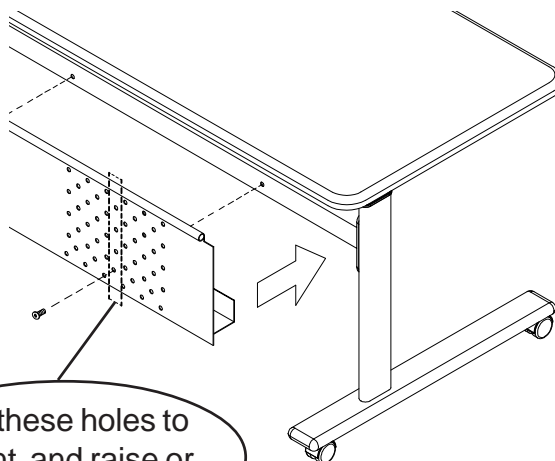


Illustration # 1

## Modesty Panel Mounting Options

### Option #1

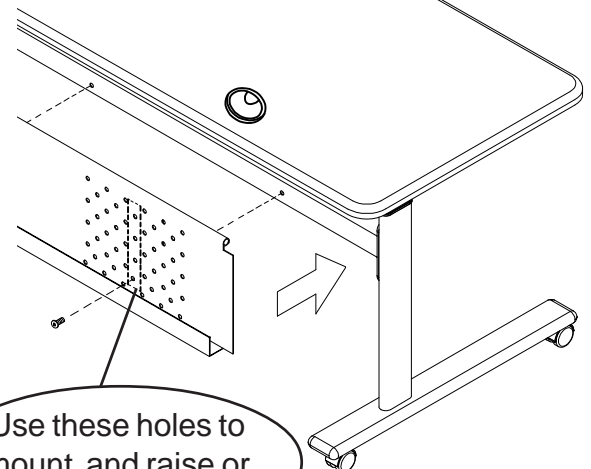
Mount your Modesty Panel in this direction if your Table Top does not have Grommets.



Use these holes to mount and raise or lower position

### Option #2

Mount your Modesty Panel in this direction if your Table Top has Grommets and you want easy Cable access.



Use these holes to mount and raise or lower position