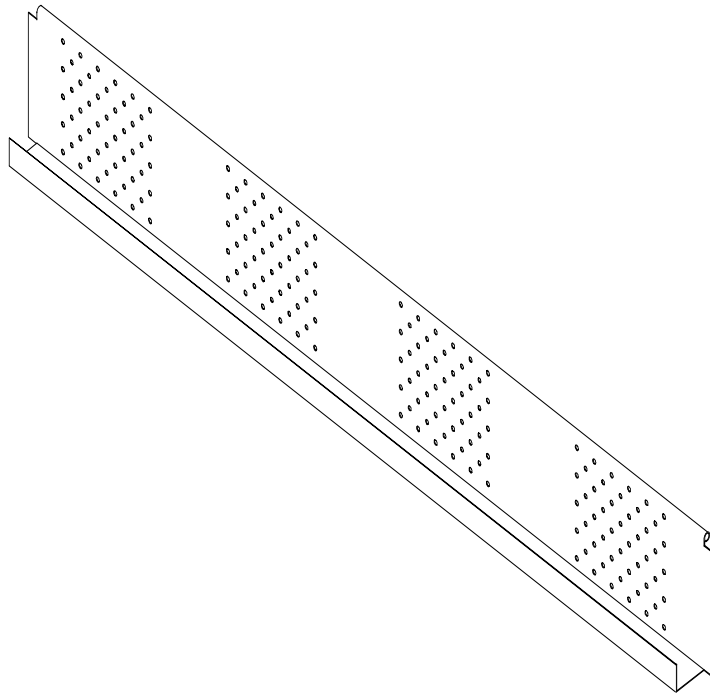


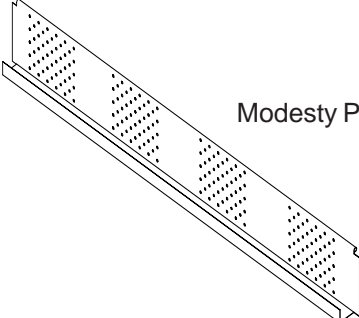
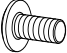
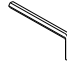
66627

# Height Adjustable Flipper 72" Modesty Panel



## Assembly Instructions

# Height Adjustable Flipper 72" Modesty Panel

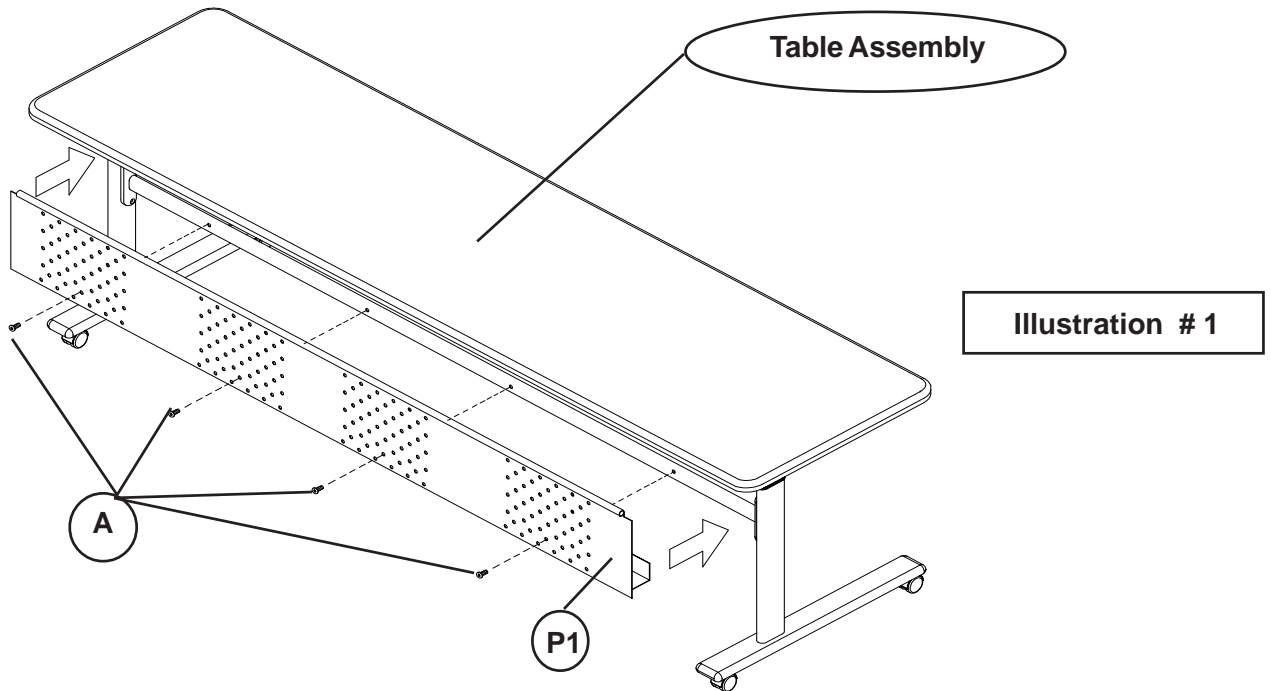
Part	Drawing	Description	Qty	Part	Drawing	Description	Qty
P1		Modesty Panel	1 EA	<div style="border: 1px solid black; border-radius: 10px; padding: 10px; text-align: center;"> <b>Hardware List</b> </div>			
				A		M6*18mm Socket Screw	4 EA
				B		Allen Wrenchr	1 EA

Do not use unless all screws are tight. At least every six months, check all screws to be sure they are tight. If parts are missing, broken, damaged, or worn, stop use of the product until repairs are made by your dealer using factory authorized parts.

# Assembly Diagram

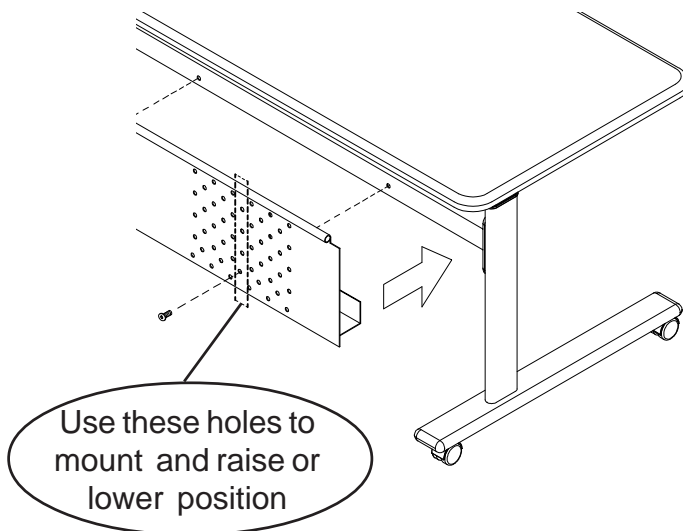
**READ THROUGH INSTRUCTIONS FROM BEGINNING TO END BEFORE STARTING TO ASSEMBLE UNIT.**

- 1.) Identify and Separate all the Parts and Hardware.
- 2.) Attach the Modesty Panel (P1) to the Bottom Support of your table assembly using four Screws (A) as shown in Illustration #1. See the position options for mounting the Modesty Panel listed below. Tighten Screws (A) using Allen Wrench (B).



## Modesty Panel Mounting Options

**Option #1**  
Mount your Modesty Panel in this direction if your Table Top does not have Grommets.



**Option #2**  
Mount your Modesty Panel in this direction if your Table Top has Grommets and you want easy Cable access.

