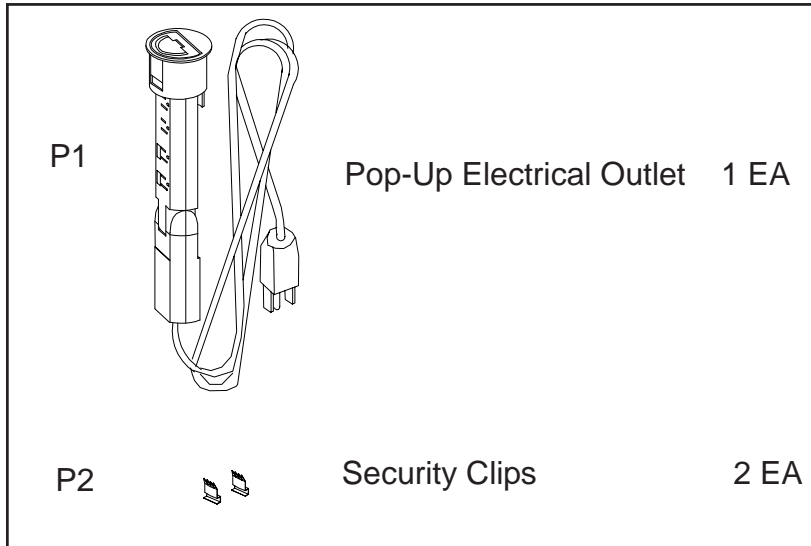
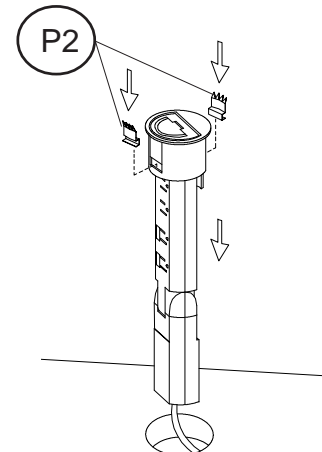
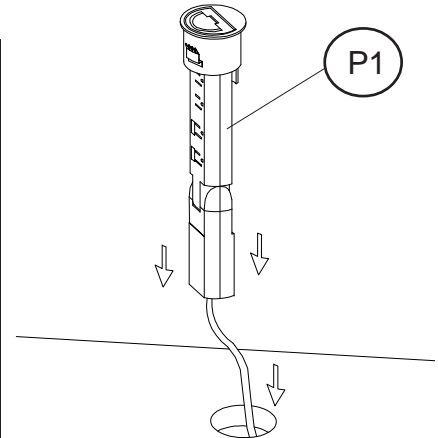


66666 Pop-Up Grommet with Electrical Outlets and USB Charger

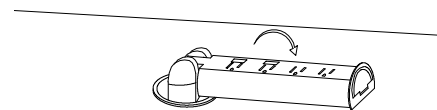
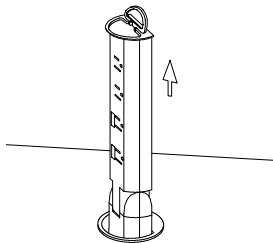


To Install:

1. Feed the electrical cord and plug on the Pop-Up Electrical Outlet (P1) down into the grommet hole in your table top.



2. Place the two Security Clips (P2) in the slots on the side of the Grommet Ring of the Pop-Up Electrical Outlet as shown
3. Push the assembly from Step 2 down into the hole in top. Make sure the Pop-Up Electrical Outlet is turned so the plug outlets are facing towards the LEFT side of the table
4. Lift and pull up the finger ring on top of the Pop-Up Electrical Outlet. Fold the unit over so it lays flat on your table top. It is now ready to use.



5. When not in use, lower the electrical outlet down into the top.

