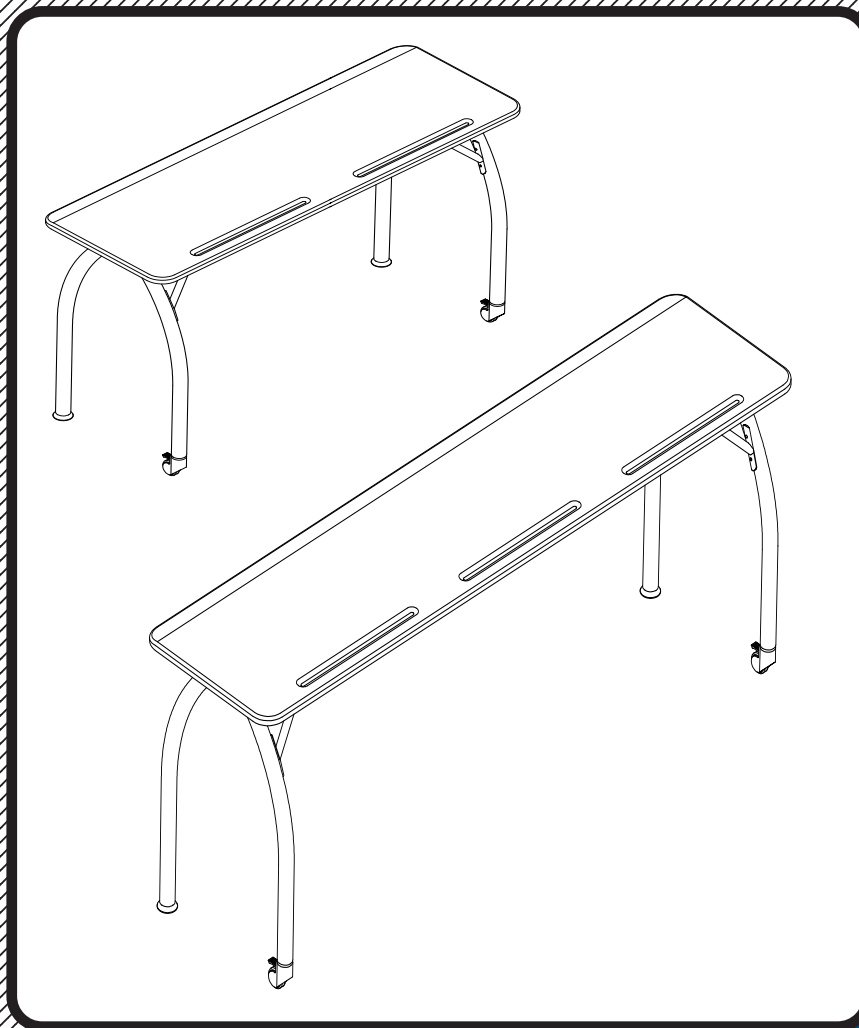
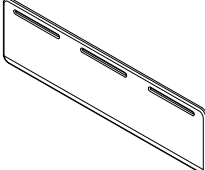
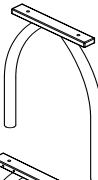

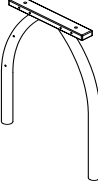



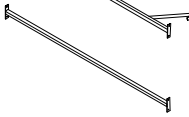




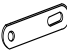


Mentor Seminar Tables



Assembly Instructions

Mentor Seminar Tables

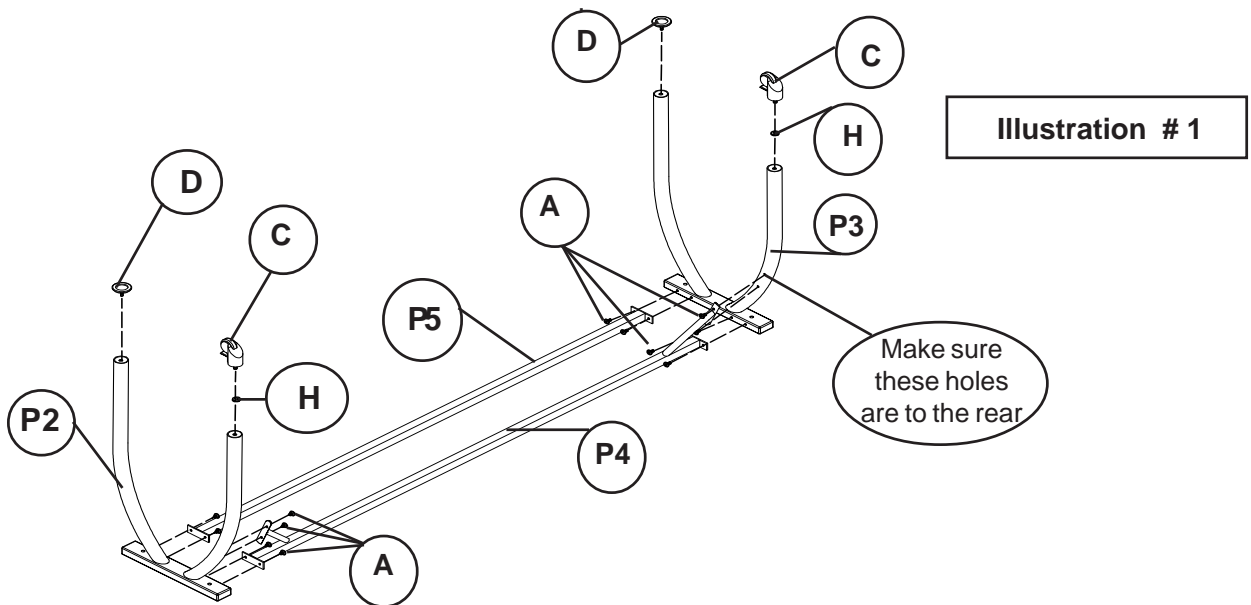
Part	Drawing	Description	Qty	Part	Drawing	Description	Qty
P1		Table Top	1 EA	Hardware List			
P2		Left Leg	1 EA	A		Screw M6*15mm	16 EA
P3		Right Leg	1 EA	B		Screw M6*38mm	4 EA
P4		Rear Brace	1 EA	C		Caster	2 EA
P5		Front Brace	1 EA	D		Glide	2 EA
				E		Allen Wrench	1 EA
				F		Caster Wrench	1 EA
				H		Lock Washer	2 EA
				G		Connecting Bracket	2 EA

Mentor Seminar Table

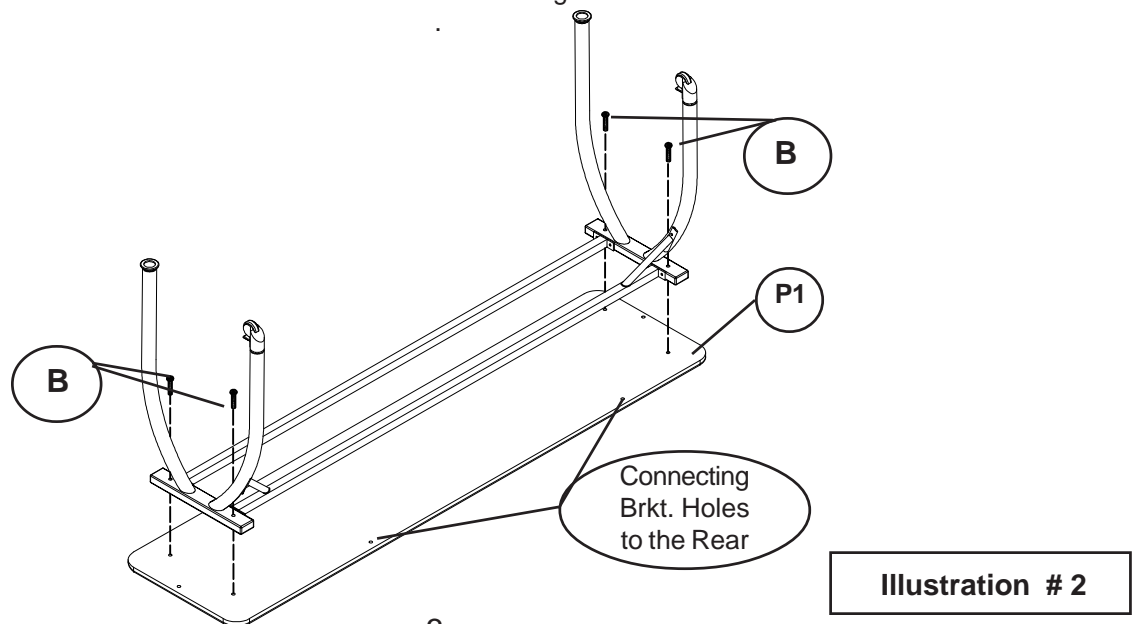
Assembly Instructions

READ THROUGH INSTRUCTIONS FROM BEGINNING TO END BEFORE STARTING TO ASSEMBLE UNIT.

- 1.) Identify and Separate all the Parts and Hardware.
- 2.) Attach Front Brace (P5) to Left Leg (P2) using two Screws (A). Attach the other end of Front Brace (P5) to Right Leg (P3) using two Screws (A). Attach Rear Brace (P4) to Left Leg (P2) using four Screws (A) and to the Right Leg (P3) using four Screws (A) as shown in Illustration #1. Tighten Screws using Allen Wrench (E).



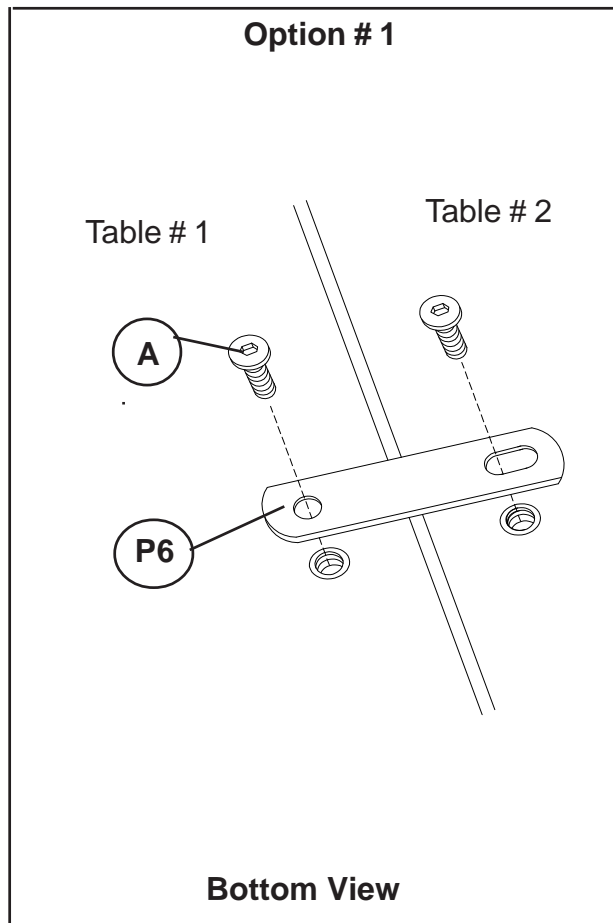
- 3.) Screw in two Glides (D) into the threaded holes in the bottom of the front legs. Place a Lock Washer (H) on the threaded stem of each Caster (C) before you screw in the Casters (C) into the threaded holes in the bottom of the two rear legs as shown in Illustration #1. Tighten Casters with Caster Wrench (F).
- 4.) Attach the leg frame assembly from Step 2 to the bottom side of Table Top (P1) using four Screws (B) as shown in Illustration #2. Make sure the Connecting Bracket holes are to the rear.



Mentor Connecting Bracket Details

Option # 1

To gang two Mentor Tables together, push the two tables together and line up the front and back edges. Under the table tops, you will find embedded, threaded inserts on the side and back edges. Use two Ganging Brackets (G) and four Screws (A) to attach the Table # 1 to the Table # 2 as shown in **Option # 1's** illustration. Tighten the Screws (A) into the threaded inserts using Allen Wrench (E).



Mentor Seminar Tables

