



MOORECO™

Beta Sit/Stand Cart

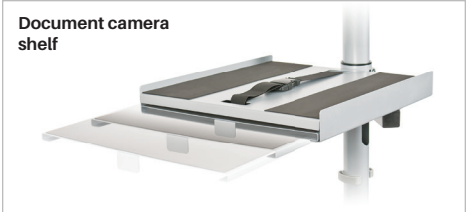
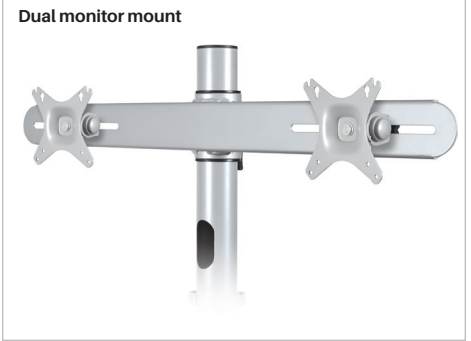
In
Stock





Beta Sit/Stand Cart

- With the Beta Sit/Stand Cart you can improve your energy and efficiency by standing or sitting as you work, and switch positions as you choose.
- Mobile configuration brings flexibility. Easily moves through small doorways and over thresholds for collaborative meetings. Works equally well as an AV cart or as a compact mobile workstation, ideal for maneuvering in tight quarters.
- Center post works as a hub for equipment shelves, monitor mounts, and CPU holder, each independently height adjustable. Cable management clips keep cords under control.
- Includes single monitor mount for a monitor up to 22". Allows up to 35° of tilt, and 25° of pan adjustment.
- Includes angled laptop/keyboard shelf (18.75" x 13.75") with a mouse platform (6.25" x 6.75") that swivels beneath when not in use.
- Included CPU holder has two adjustable security straps, holding securely to a variety of CPU configurations.
- Optional projector shelf measures 15" x 11" and includes an adjustable equipment security strap.
- Document camera shelf measures 15" x 13.63", includes an adjustable equipment security strap, and a retractable platform (13.5" x 8.63").
- All shelves feature non-slip EVA pads.
- Optional dual monitor mount accommodates two monitors up to 22". Allows up to 35° of tilt, and 25° of pan adjustment. Handy knobs adjust the space and angle between monitors.



Part No.	Item	Product Dimensions	Ship Wt.
Beta Sit/Stand Cart			
27614*	Beta Sit/Stand Cart	67"H x 32"W x 33"D	49 lbs
Optional Accessories			
27619*	Projector Shelf	15"W x 11"D	10 lbs
27618*	Document Camera Shelf	15"W x 13.75"D	12 lbs
27617*	Dual Monitor Mount	Up to 22" monitors	10 lbs

*Ships UPS. Shipping weights are listed on a per item basis and may vary based on quantities ordered.



MooreCo | Vanerum North America
 2885 Lorraine Avenue | Temple, TX 76501
 p: 800.749.2258 | f: 866.888.7483
www.moorecoinc.com | www.vanerumnorthamerica.com