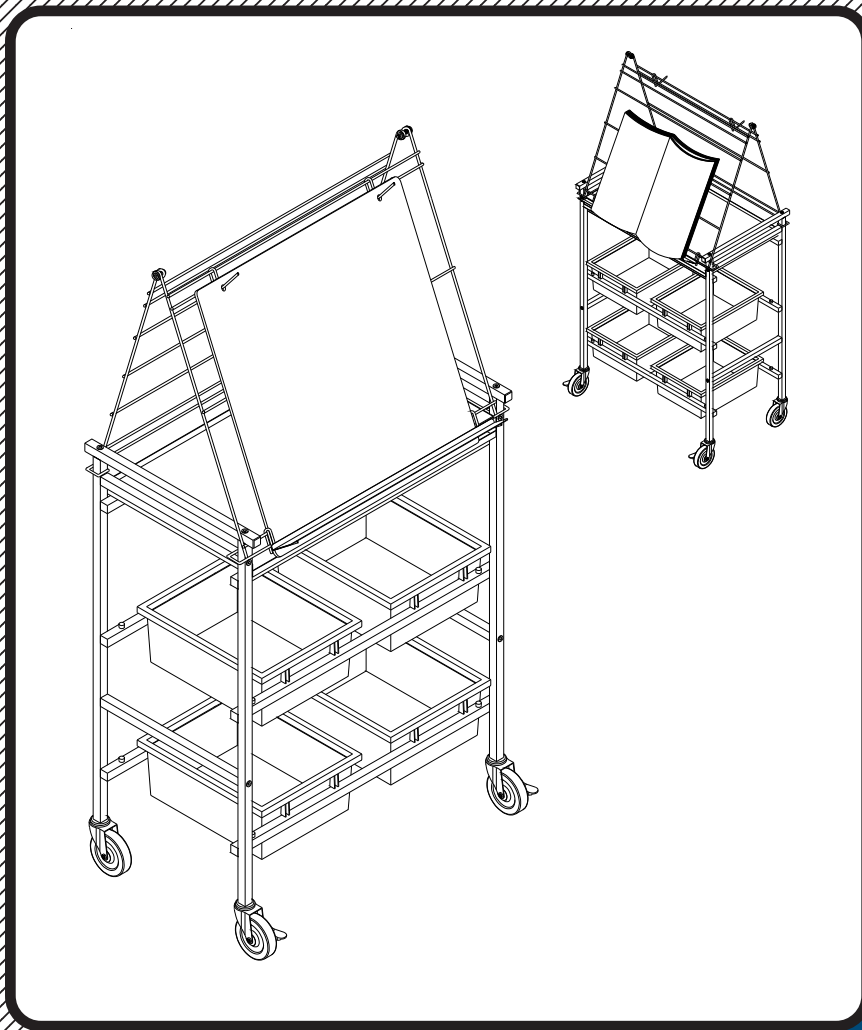




782 Cart Wheasel

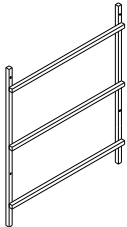
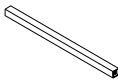
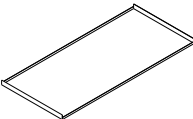
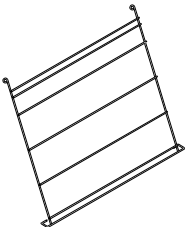
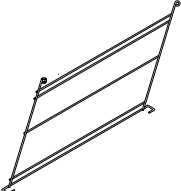
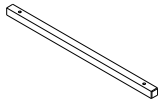
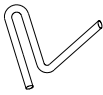
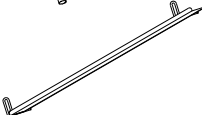
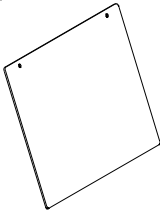
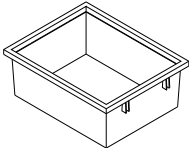
Mobile Storage Cart with Easel



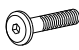








Assembly Instructions

Cart Wheasel

Adjustable Height Easel w/Storage Tubs

Part	Drawing	Description	Qty
P-1		Leg Assembly	2 EA
P-2		Crossbrace	4 EA
P-3		Top Shelf	1 EA
P-4		Easel Side-Book	1 EA
P-5		Easel Side-Markerboard	1 EA
P-6		Easel Support	2 EA
P-7		Markerboard Hanger	2 EA
P-8		Markerboard Tray	1 EA
P-9		Markerboard	1 EA
P-10		Plastic Tub	4 EA

Hardware List

A		40mm Socket Screw	14 EA
B		Flat washer	4 EA
C		Lock Nut	2 EA
D		3" Locking Caster(for front)	2 EA
E		3" Caster(for Back)	2 EA
F		Rubber Bumper	8 EA
G		Allen Wrench	1 EA
H		Caster Wrench	1 EA
J		Lock Nut Wrench	1 EA

Should you require assistance during assembly, please call our Customer Service Department Monday - Friday 8 a.m. - 5 p.m. Central Standard Time Toll-Free Customer Service

1-800-749-2258

Cart Wheasel Assembly Diagram

READ THROUGH INSTRUCTIONS FROM BEGINNING TO END BEFORE STARTING TO ASSEMBLE UNIT.

To Assemble:

1. Identify and Separate all the Parts and Hardware.
2. Attach 4 each Crossbraces (P-2) to the 2 Leg Assemblies (P-1) using 8 Socket Screws (A) as shown in illustration # 1.

(Finger tighten only)

Illustration # 1

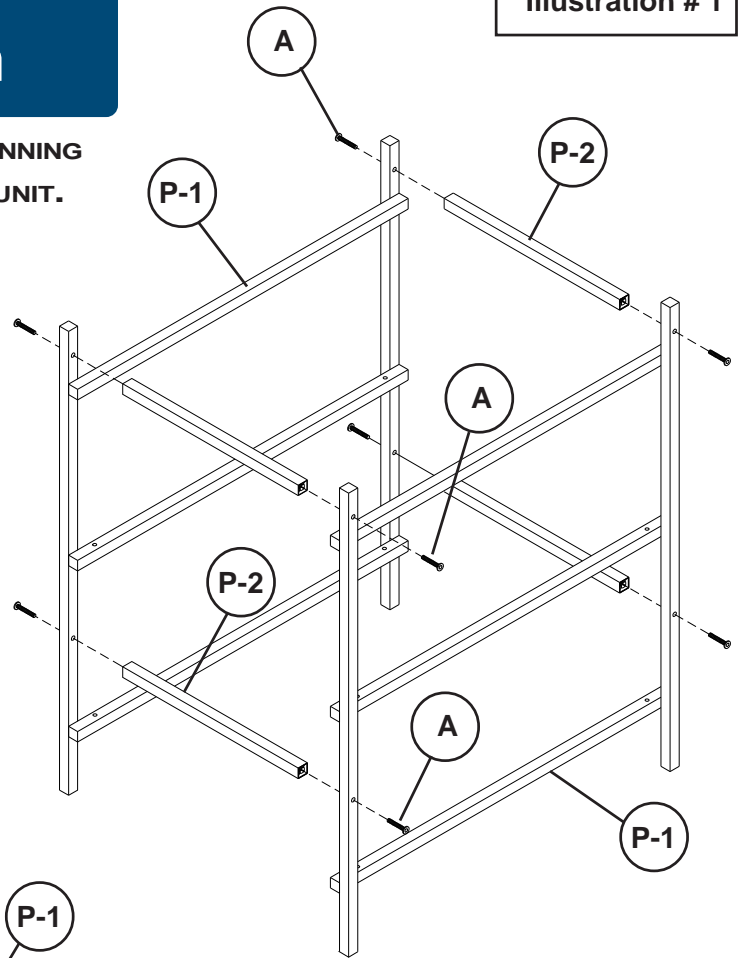
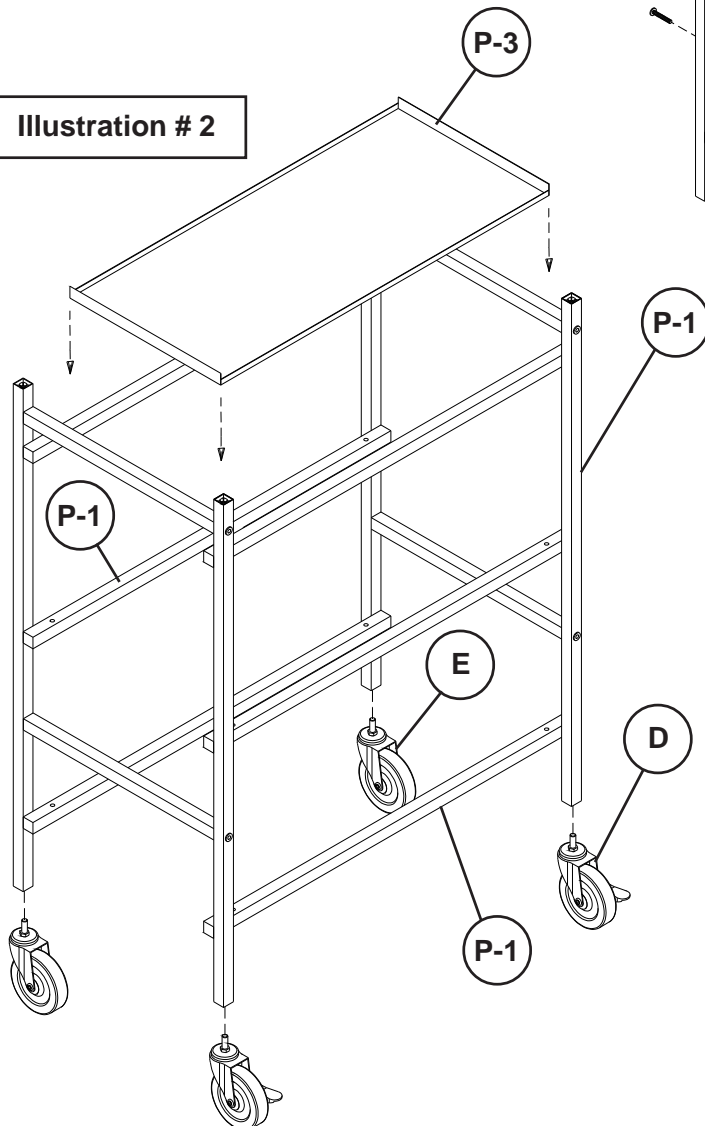


Illustration # 2



3. Insert Top Shelf (P-3) between the 2 each Leg Assemblies(P-1) as shown in illustration # 2.

4. Attach 2 Locking Casters (D) on one side of unit and 2 Casters (E) on the other side of the unit as shown in illustration # 2.

Tighten the Casters using Caster Wrench (H).

Illustration # 2

Missing Parts or UPS Damaged Parts
For Your Convenience you can
EMAIL us at
moorecoinc.com
24HOURS 7 DAYS A WEEK

5. Slide Easel Side-Book (P-4) and Easel Side-Markerboard (P-5) over the top of Leg Assemblies (P-1). Join the 2 Easel Sides together using 2 each Socket screws(B), 4 Flat Washers (B), and 2 Lock Nuts (C) as shown in illustration # 4. [Hold Locknut (C) using Lock Nut Wrench (J)while tightening 2 each Socket Screws(B)]

Illustration # 3

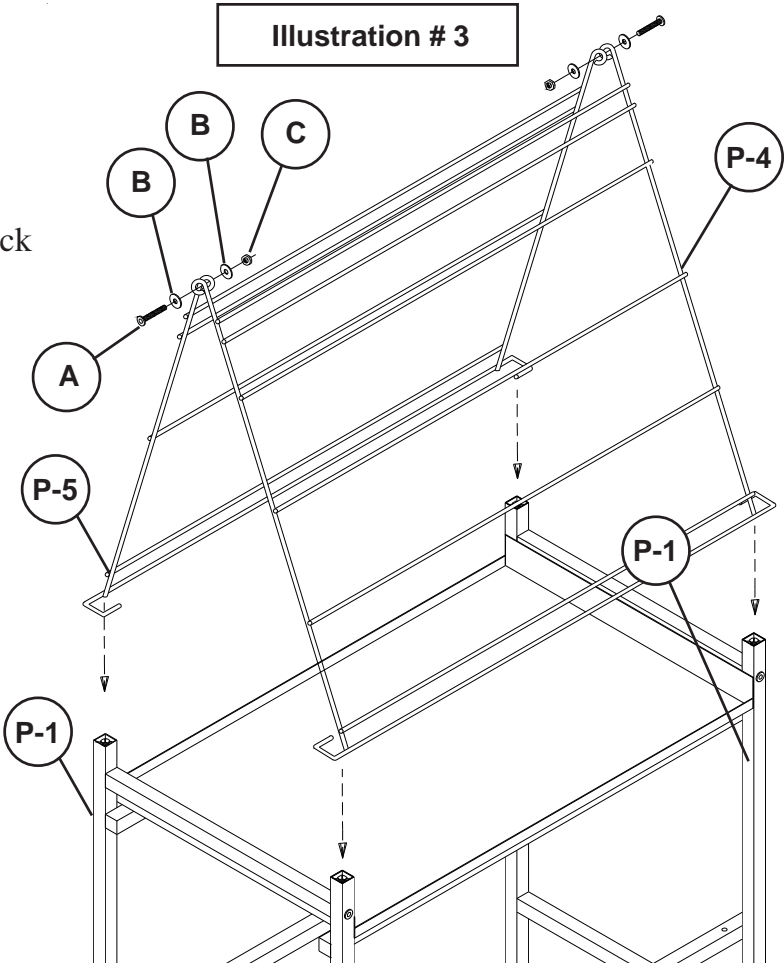
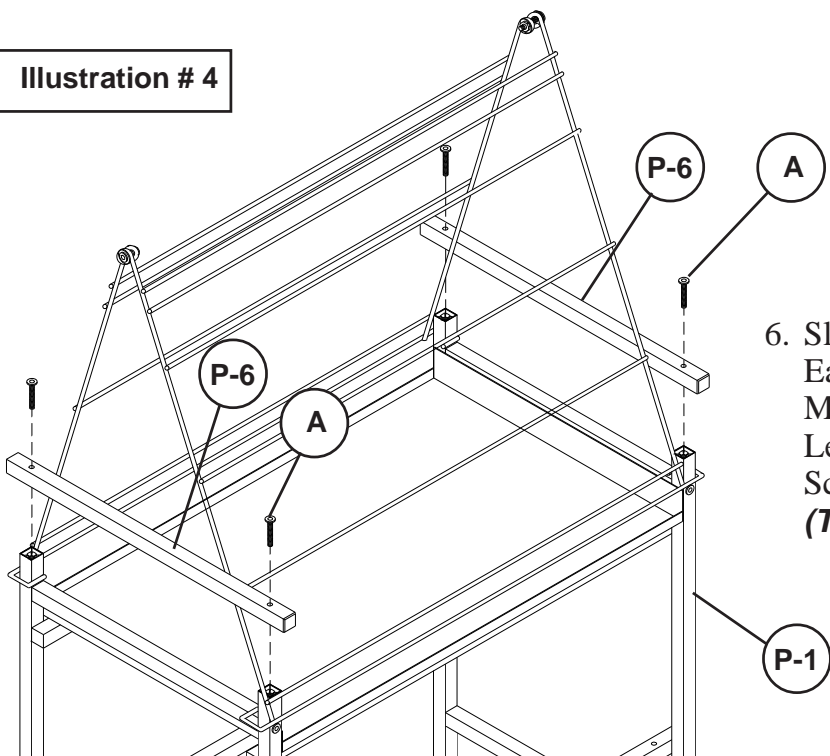


Illustration # 4

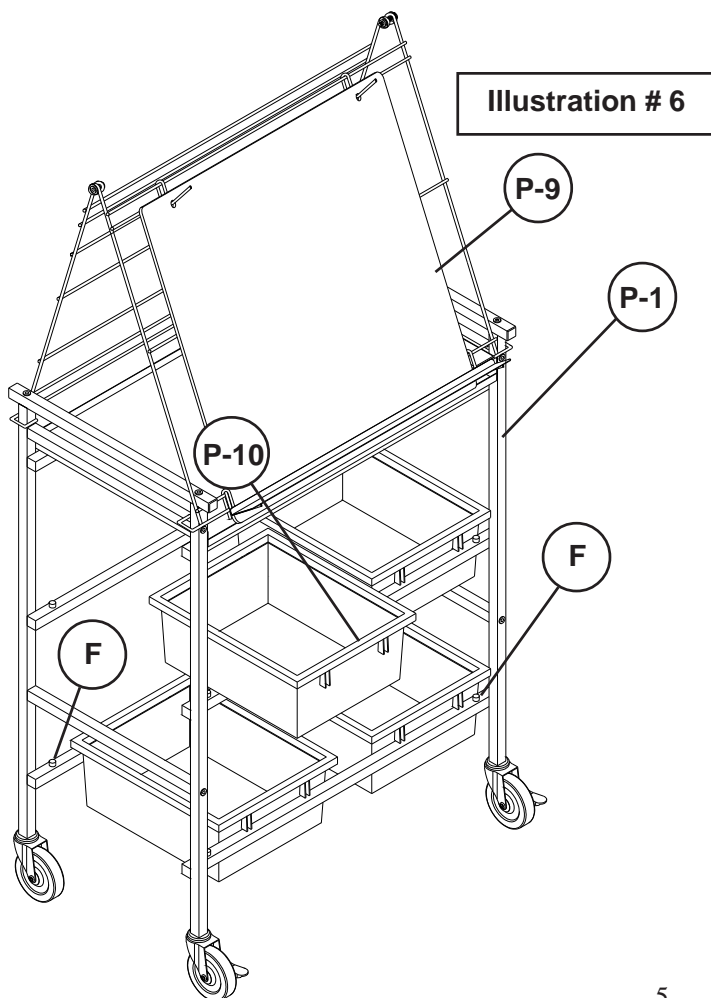
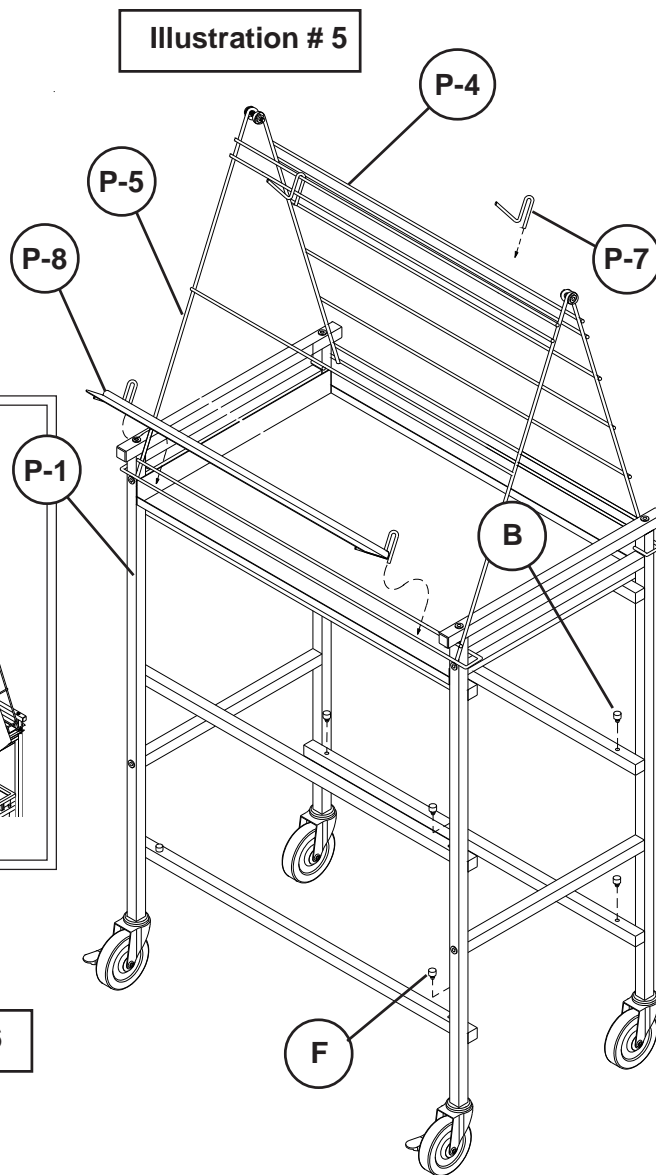
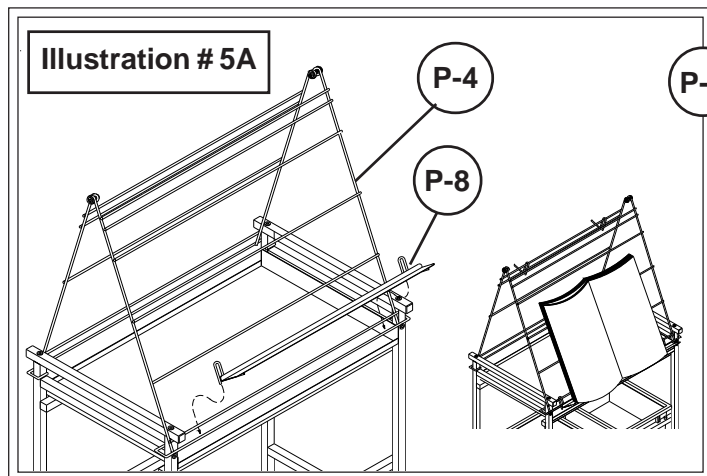


6. Slide 2 Easel Supports (P-6) over the Slide Easel Side-Book (P-4) and Easel Side-Markerboard (P-5) and secure to the 2 Leg Assemblies (P-1) using 4 each Socket Screws(A) as shown in illustration # 4. **(Tighten all Screws at this time)**

Do not use unless all screws are tight. At least every six months, check all screws to be sure they are tight. If parts are missing, broken, damaged, or worn, stop use of the product until repairs are made by your dealer using factory authorized parts.

- Attach Markerboard Hanger (P-7) and Tray (P-8) to the Easel Side-Markerboard (P-5) as shown in illustration # 5.

NOTE: Tray (P-8) may also be installed on the Easel Side-Book (P-4) for use with Big Books as shown in illustration # 5a.



- Attach Markerboard (P-9) over Markerboard Hanger (P-7) as shown in illustration # 6.

- Insert 4 Plastic Tubs (P-10) as shown in illustration # 6. (*Tubs should fit side by side between the Rubber Bumpers (F) and rest on the Leg Assembly (P-1).*)