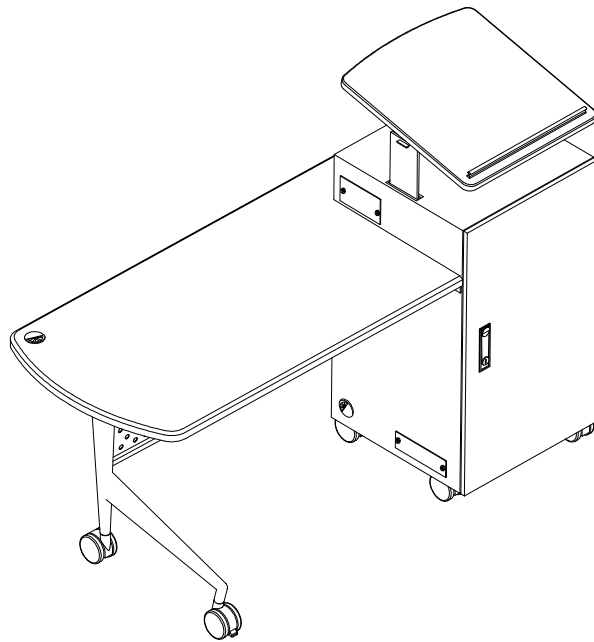


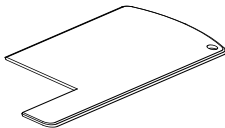
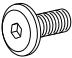

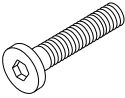
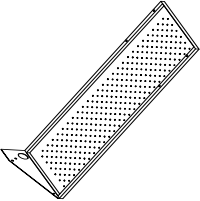





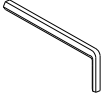
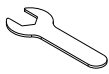

27692
Trend Podium Desk
27693 + 27694

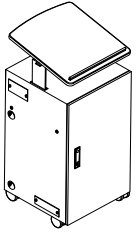


Assembly Instructions

#27693 Trend Podium Desk

Hardware List

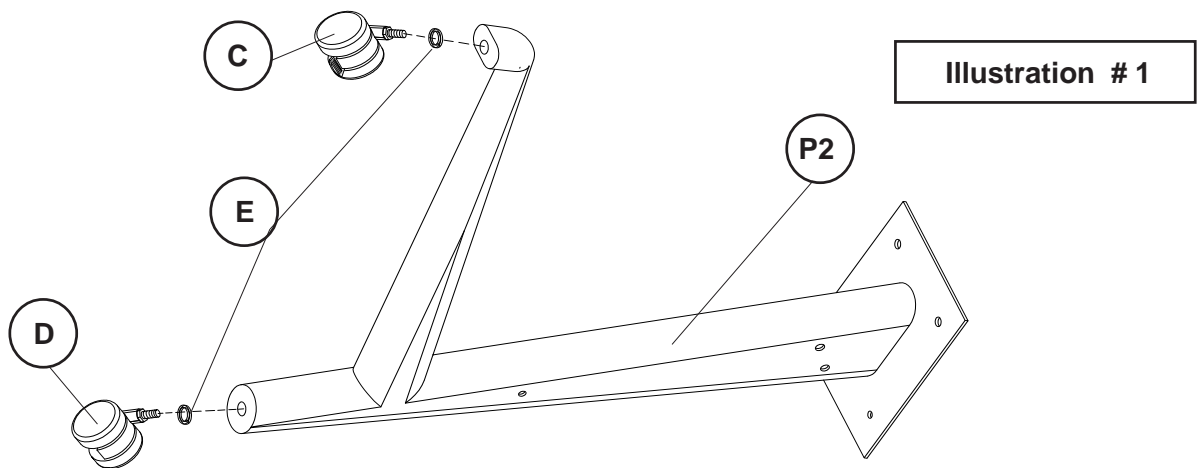
Part Drawing	Description	Qty	Part Drawing	Description	Qty
P-1	 Table Top	1 EA	A	 Screw M6 X 15mm	13 EA
P-2	 Leg	1 EA	B	 Screw M6 X 32mm	4 EA
P-3	 Modesty Panel	1 EA	C	 Locking Caster	1 EA
P-4	 Long Angle Support	1 EA	D	 Non-Locking Caster	1 EA
P-5	 Short Angle Bracket	1 EA	E	 Lock Washer	2 EA
			F	 Allen Wrench	1 EA
			G	 Caster Wrench	1 EA
			H	 Grommet	1 EA

Part Drawing	Description	Qty
27694	 Trend Podium Assembly	1 EA

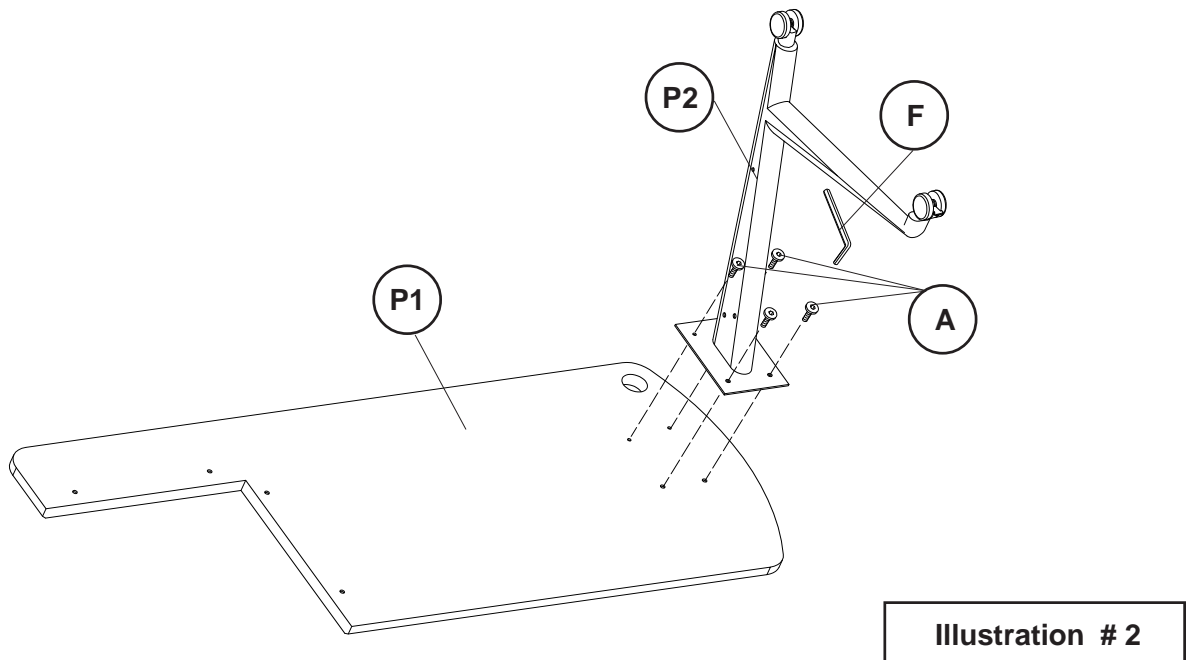
#27593 Trend Podium Desk Assembly Instruction

**READ THROUGH INSTRUCTIONS FROM BEGINNING
TO END BEFORE STARTING TO ASSEMBLE UNIT.**

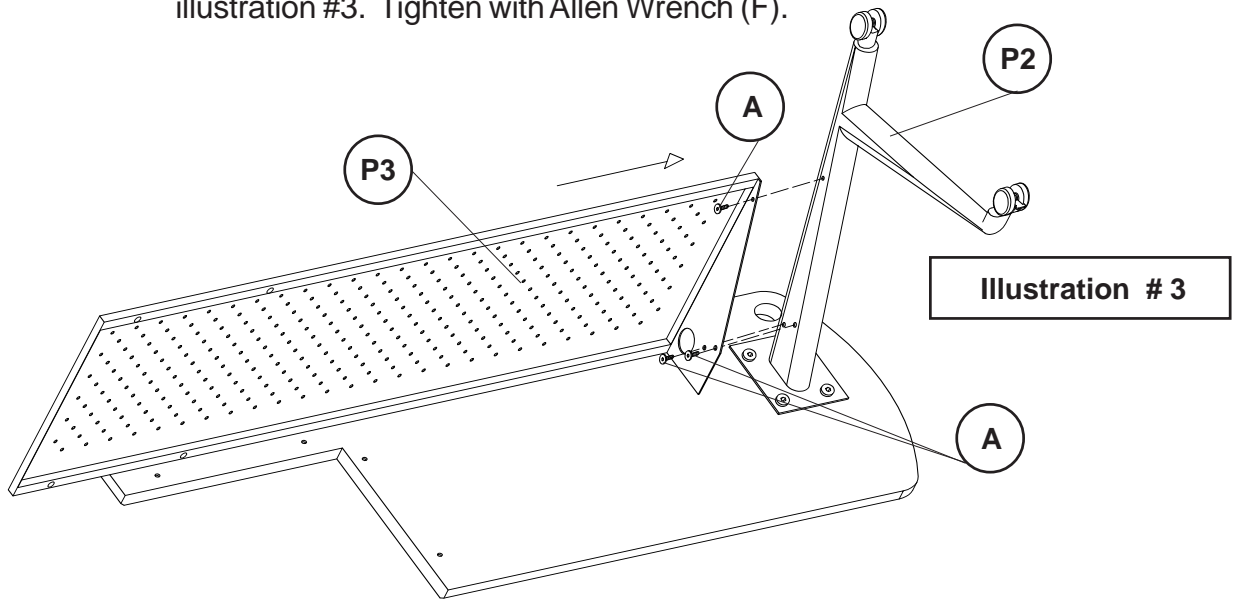
- 1.) Identify and Separate all the Parts and Hardware.
- 2.) Place a Lock Washer (E) on the threaded stem of the Locking Caster (C) and screw it into the front Leg(P-2). Tighten with Caster Wrench (G). Place a Lock Washer (E) on the threaded stem of the Non-Locking Caster (D) and screw it into the rear Leg (P-2) and tighten with Caster Wrench (G) as shown in illustration #1.



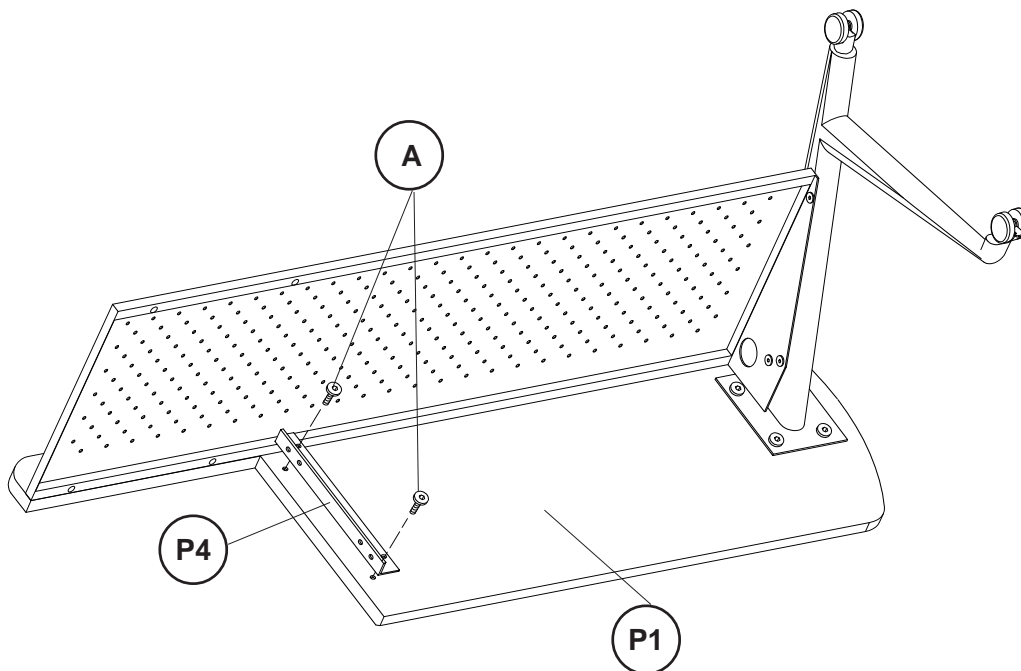
- 3.) Place the Desk Top (P-1) face down on a padded surface. Line the holes in the Leg (P-2) attachment plate with the four threaded holes in the bottom of the Desk Top. Attach using four Screws (A). Tighten with Allen Wrench (F).



- 4.) Attach the Modesty Panel (P-3) to the Leg (P-2) using three Screws (A) as shown in illustration #3. Tighten with Allen Wrench (F).



- 5.) Attach the Long Angle Support (P-4) to the threaded insert under the cut-out of the Desk Top (P-1) using two Screws (A). See illustration #4.



- 6.) Attach the Trend Desk #27693 assembly from Step #5 to the Trend Podium #27694 assembly using the extra hardware from the Trend Desk #27593. Attach the Modesty Panel (P-3) to the Podium's Back Panel using two Screws (B) through the bottom two holes in the Modesty Panel and into the the bottom threaded inserts in the Podium's Back Panel as shown in illustration #5.

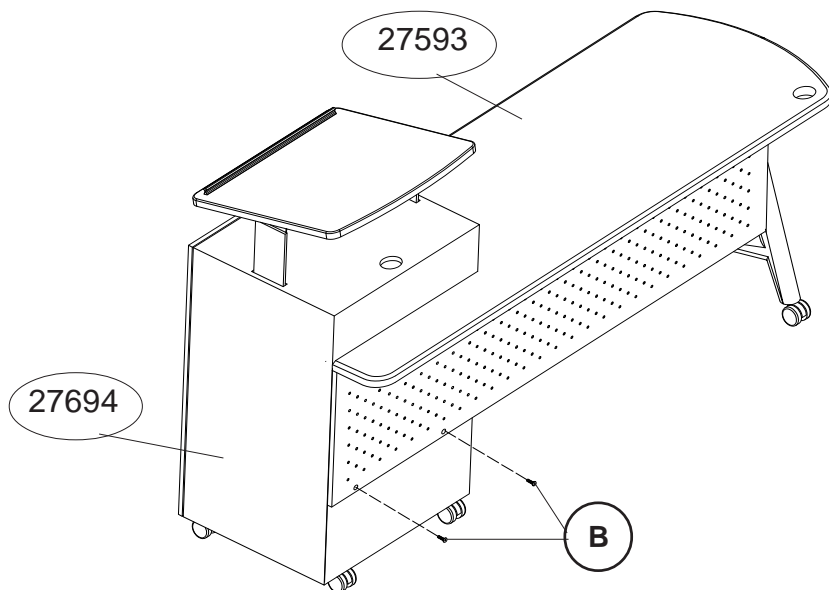


Illustration # 5

- 7.) Attach the top of the Modesty Panel (P-3) to the Podium's Back Panel using two Screws (B) inserted through the Short Angle Support (P-5) and into the threaded inserts in the top of the Podium's back. Use two Screws (A) to attach the Angle Support to the Table Top (P-1). Tighten all Screws using Allen Wrench (F) as shown in illustration #6.

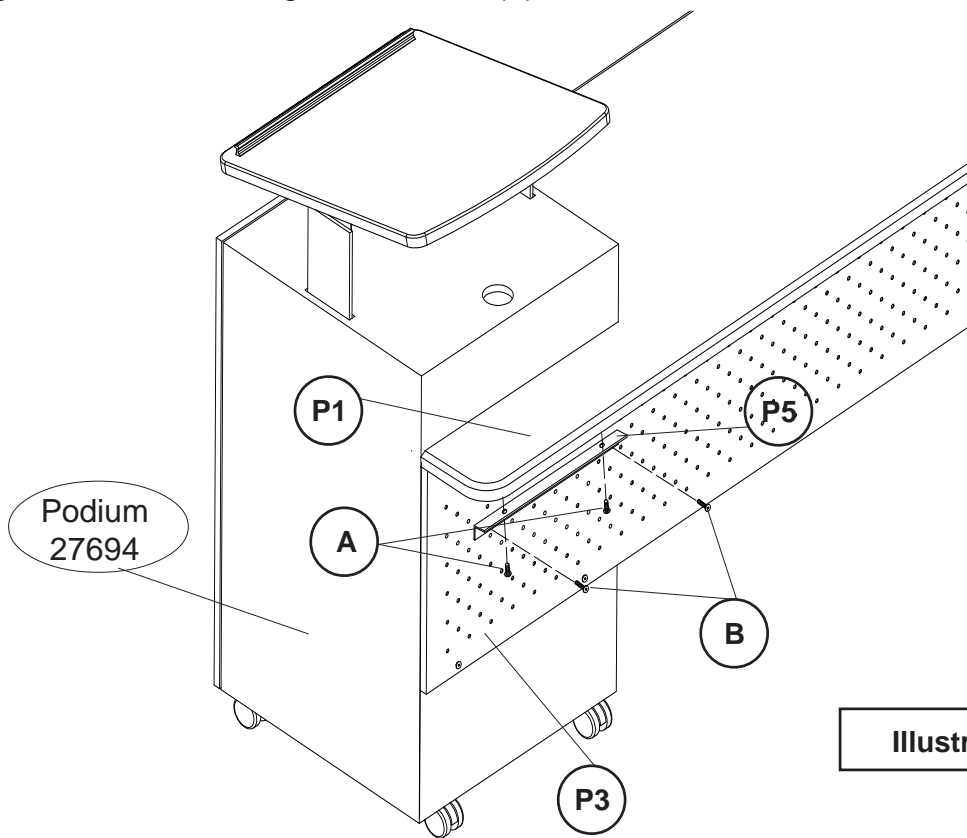


Illustration # 6

8.) Use two Screws (A) through the Long Angle Support (P-4) that is attached to the bottom of the Table Top (P-1) and into the threaded inserts that are attached to the Left Side Panel of the Podium.

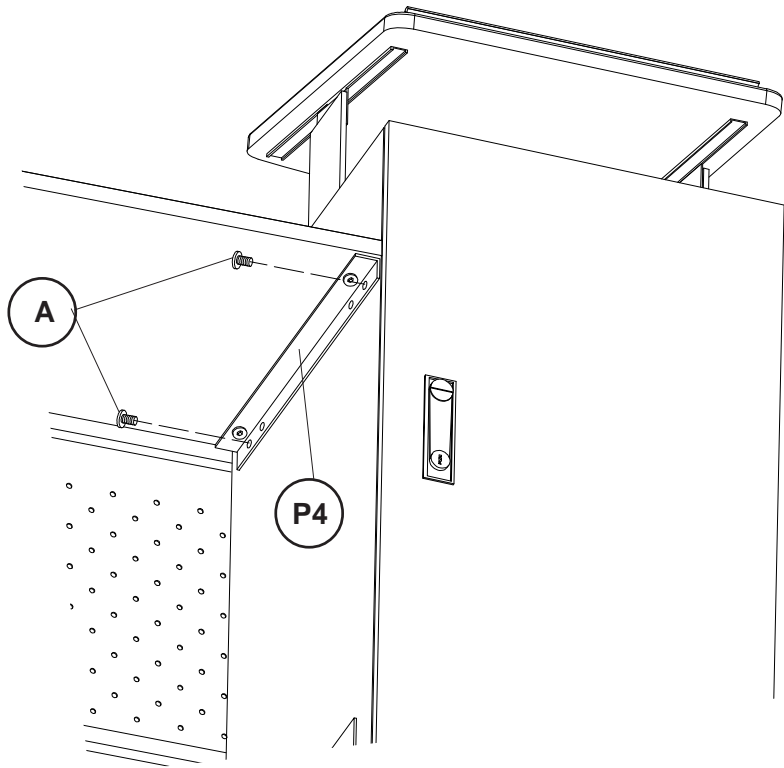


Illustration # 7

9.) Press in Grommet (H) into the cut-out in the top corner of Table Top (P-1).

