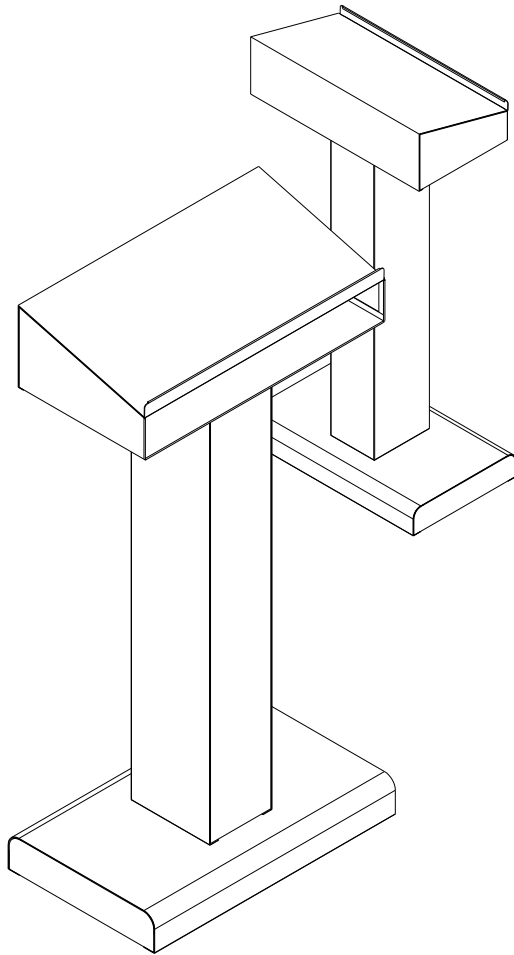


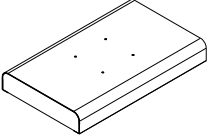
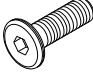
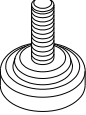
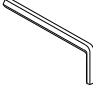
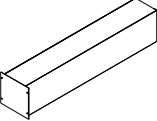
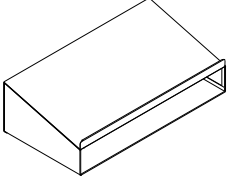


## #89888, 90149 Metal Lecterns



# Assembly Instructions

# #89888, 90149 Metal Lectern

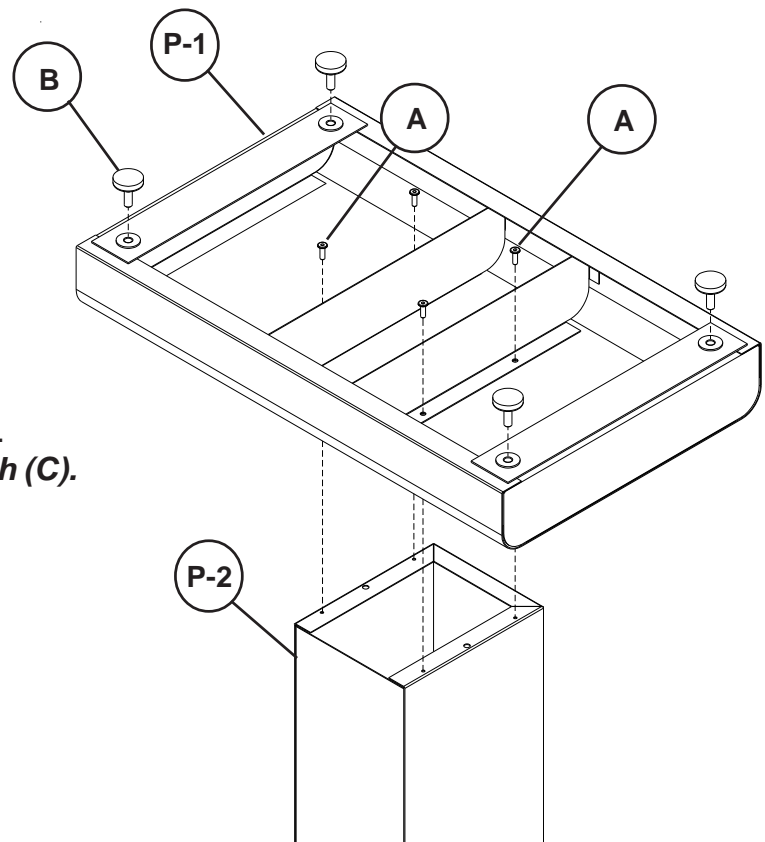
Part	Drawing	Description	Qty	Part	Drawing	Description	Qty
P1		Lectern Base	1 EA	<div style="border: 1px solid black; padding: 10px;"> <p style="text-align: center;">Hardware List</p> <p>A  Socket Screw M6x12mm 8 EA</p> <p>B  Leveling Glide 4 EA</p> <p>C  Allen Wrench 1 EA</p> </div>			
P2		Column	1 EA				
P3		Lectern Top	1 EA				

## #89888, 90149 Metal Lecterns Assembly Diagram

**READ THROUGH INSTRUCTIONS FROM BEGINNING TO END BEFORE STARTING TO ASSEMBLE UNIT.**

**Illustration # 1**

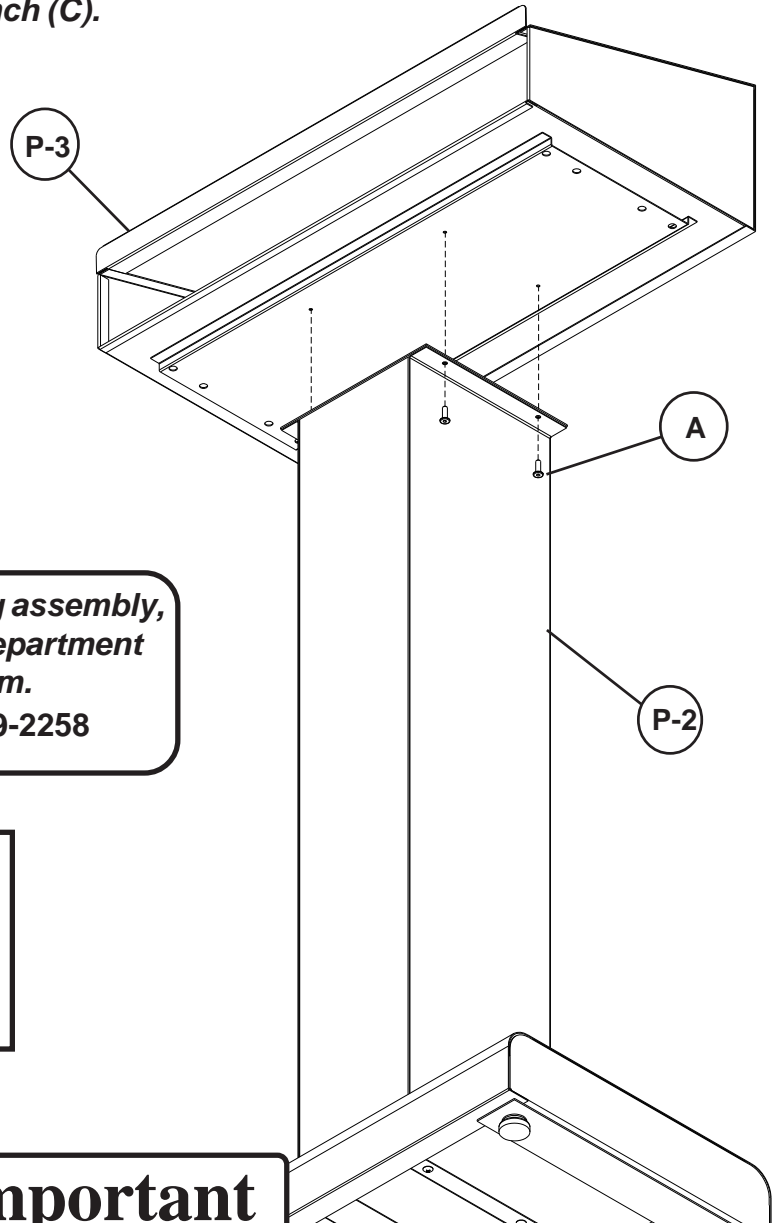
- 1.) Identify and Separate all the Parts and Hardware.
- 2.) Attach 4 Leveling Glides (B) to the bottom of Lectern Base (P-1) as shown in illustration #1.
- 3.) Attach the Lectern Base (P-1) to the Column (P-2) using 4 Screws (A) as shown in illustration #1.  
**Tighten 4 Screws using allen wrench (C).**



Do not use unless all screws are tight. At least every six months, check all screws to be sure they are tight. If parts are missing, broken, damaged, or worn, stop use of the product until repairs are made by your dealer using factory authorized parts.

**Illustration #2**

- 4.) Attach the Lectern Top (P-3) to the Column (P-2) using 4 Screws (A) as shown in illustration #2.  
**Tighten 4 Screws using allen wrench (C).**



**Should you require assistance during assembly,  
please call our Customer Service Department  
Monday - Friday 8 a.m. - 5 p.m.  
Central Standard Time 1-800-749-2258**

**Missing Parts or UPS Damaged Parts**  
For Your Convenience you can  
EMAIL us at  
**[support@moorecoinc.com](mailto:support@moorecoinc.com)**  
24HOURS 7 DAYS A WEEK

## **Important**

The Balt product you have purchased is guaranteed against material and workmanship defects. This guarantee extends 1 year from date of purchase. Should this product fail to function satisfactorily under normal use due to defect or imperfection, the defective part or product will be replaced. Damage caused by common carriers during shipment is not included in this guarantee.

**This guarantee sets forth all applicable guarantees and remedies. No other warranty, expressed or implied shall apply. Failure to follow instructions found in Important Information Section of Owner Sheet shall void the guarantee. Consequential or incidental damages and or costs are not refundable.**