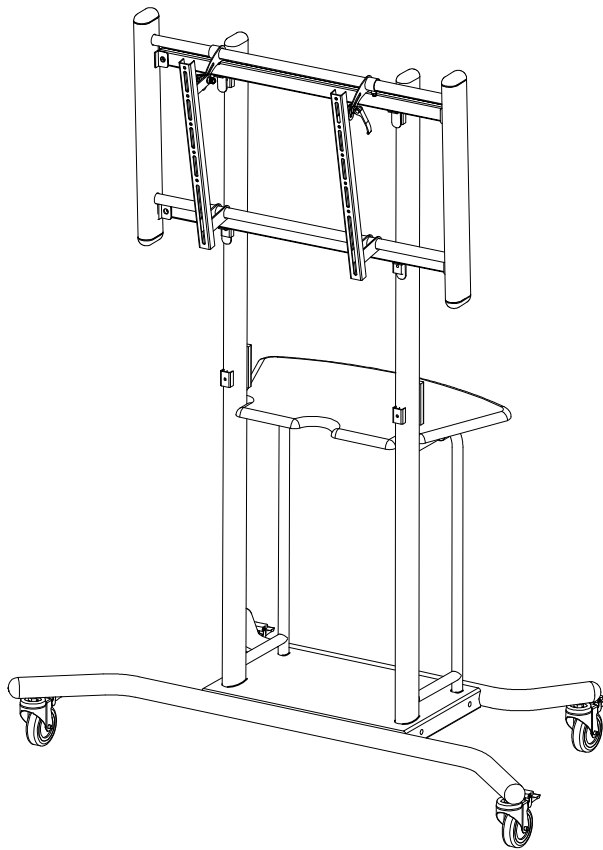
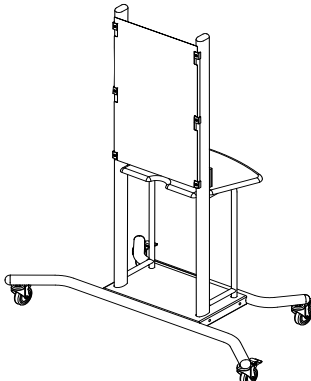
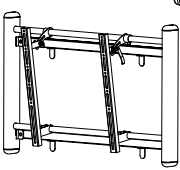


# 27650 Elevation Mobile TV Stand

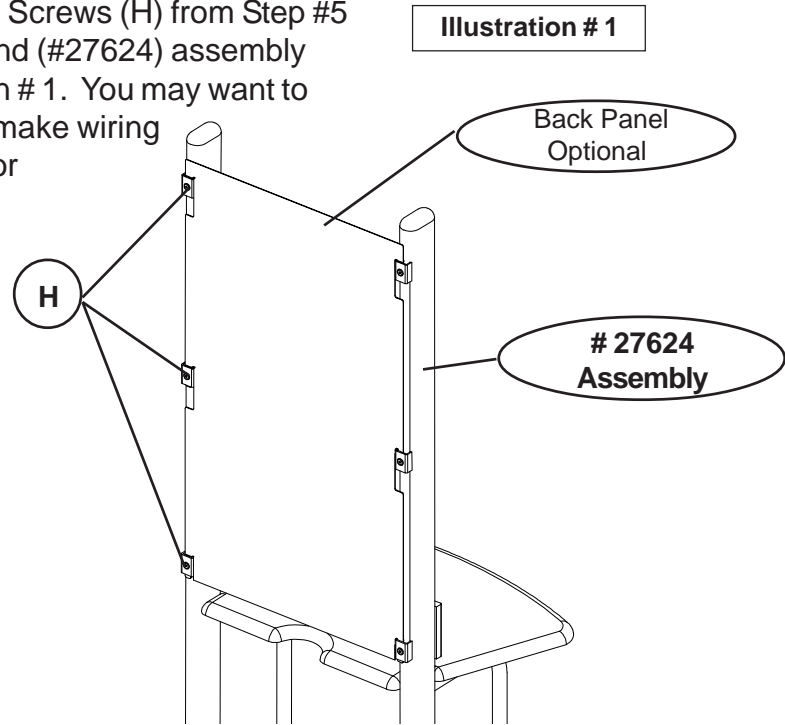


## Assembly Instructions

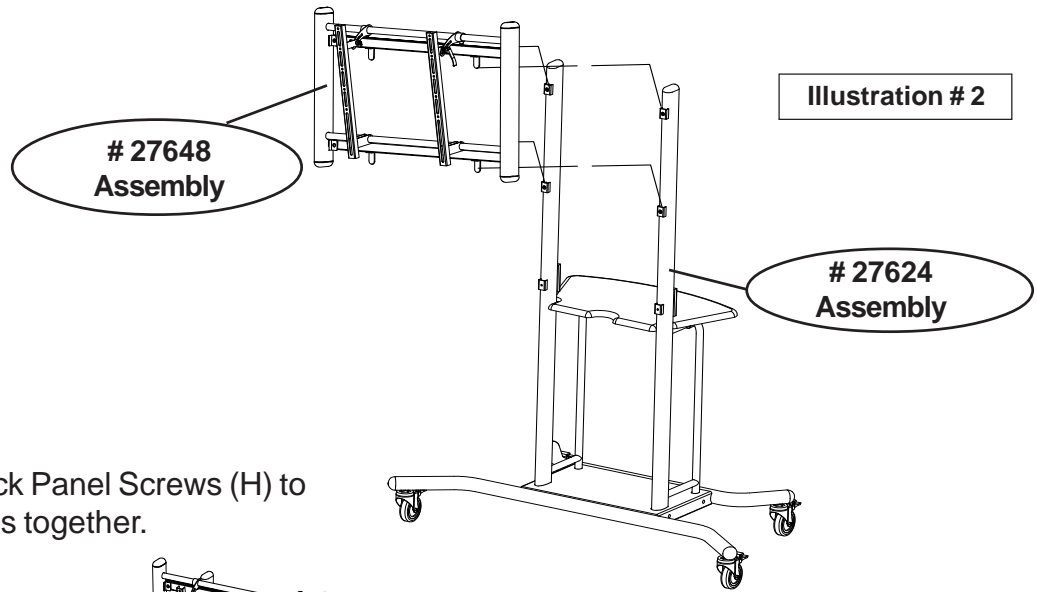
# 27650 Elevation Mobile TV Stand

Part	Drawing	Description	Qty	Part	Drawing	Description	Qty
P-1		# 27624	1 EA				
P-2		# 27648	1 EA				

- 1.) Loosen the six Back Panel Screws (H) from Step #5 of the Elevation Mobile Stand (#27624) assembly instructions. See Illustration # 1. You may want to remove the Back Panel to make wiring easier or leave it in place for wire security.



- 2.) Take the assembly from the end of Step #5 of the all Mount (#27648) and hook the four mount tabs that are on the back frame into the top four brackets that the Back Panel of # 27624 are hooked into. See Illustration # 2.



- 3.) Retighten the four top Back Panel Screws (H) to secure the two assemblies together.

