

Touchboards

205 Westwood Ave, Long Branch, NJ 07740
Phone: 866-94 BOARDS (26273) / (732)-222-1511
Fax: (732)-222-7088 | E-mail: sales@touchboards.com

Motic®

MORE THAN MICROSCOPY



SMZ-171

The Next Generation
Stereo Microscope

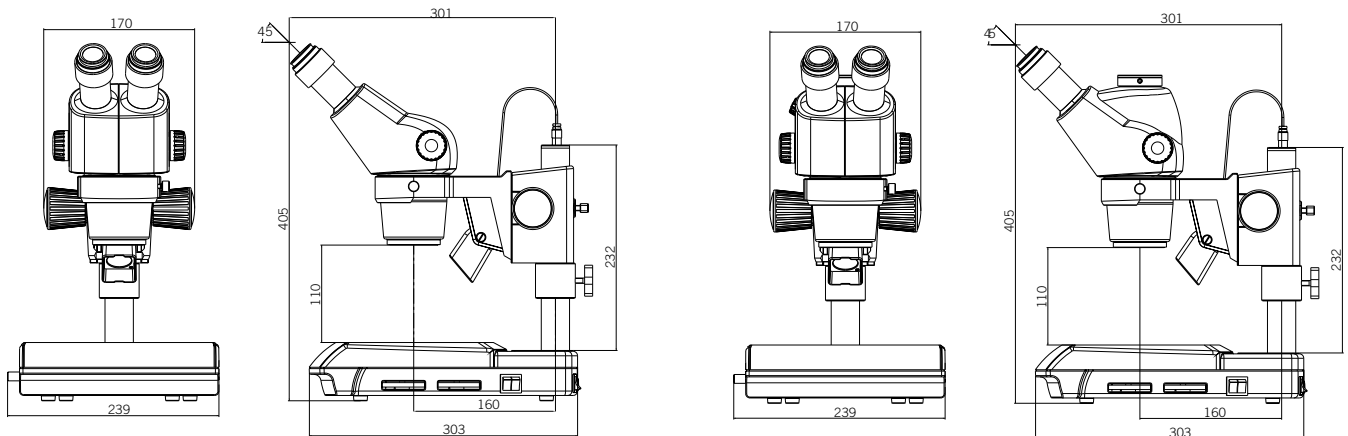


- ESD and non ESD version
- New Lead free optical design
- Greenough optic system
- Compact and rugged
- Light weight
- Anti fungus
- Interlock eyepieces tube
- LED stand
- 3W LED Transmitted Illumination
- 3W LED Incident Illumination
- Switching power supply for use worldwide (100-240V)
- No bulb change, lamp life up to 25,000 hrs.
- Outstanding price-performance ratio

Specification:

Model	SMZ-171 BH	SMZ-171 TH
Optical System	Greenough	Greenough
Observation Angle	45°	45°
Magnification Range	6.7x – 50x	6.7x – 50x
Zoom Ratio	6.7 : 1	6.7 : 1
Eyepieces	WF10x High Eyepoint	WF10x High Eyepoint
Max. View	30.7mm	30.7mm
Interpupillary distance	52mm – 75mm	52mm – 75mm
Diopter adjustment	±5°	±5°
Working Distance	110mm	
Video/photo tube	Yes	
Photo/Video adapters	2x Photo Adapter 0.35x, 0.65x, 1x CCD Camera adapters	
Auxiliary eyepieces	5x/23, 6.25x/23, 10x/21, 15x/17, 20x/13, 30x/8, 32x/8	
Auxiliary objectives	0.3x, 0.5x, 0.63x, 0.75x, 1.5x, 2.0x	
Max. System Magnification	300x	
Max. System View	102mm	
Max. System Working Distance	324mm	

Dimensions:



For detail information and available accessories as well OEM-Solution. Pls contact us!

www.motic.com

Motic Instruments (CANADA)

130 - 4611 Viking Way, Richmond, BC V6V 2K9 Canada
Tel: 1-877-977 4717 Fax: 1-604-303 9043

Motic Deutschland GmbH (GERMANY)

Christian-Kremp-Strasse 11, D-35578 Wetzlar, Germany
Tel: 49-6441-210 010 Fax: 49-6441-210 0122

Motic Incorporation Ltd. (HONG KONG)

Rm 2907-8, Windsor House, 311 Gloucester Road,
Causeway Bay, Hong Kong
Tel: 852-2837 0888 Fax: 852-2882 2792

Motic Spain, S.L. (SPAIN)

Polígono Industrial Les Corts, Camí del Mig, 112
08349 Cabrera de Mar, Barcelona, Spain
Tel: 34-93-756 6286 Fax: 34-93-756 6287

* **CCIS®** is a trademark of Motic Incorporation Ltd.

Motic Incorporation Limited Copyright © 2002-2010.
All Rights Reserved.

Design Change :

The manufacturer reserves the right to make changes in instrument design in accordance with scientific and mechanical progress, without notice and without obligation.



12.2010 SAP: 1352xxxxxx

