



CONEN[®] *mounts*

workIT desk

Touchboards

205 Westwood Ave, Long Branch, NJ 07740
Phone: 866-94 BOARDS (26273) / (732)-222-1511
Fax: (732)-222-7088 | E-mail: sales@touchboards.com

WID-DL74
WID-DL74 BLP
WID

Designed for EPSON[®] BrightLink[®] / BrightLink[®] Pro

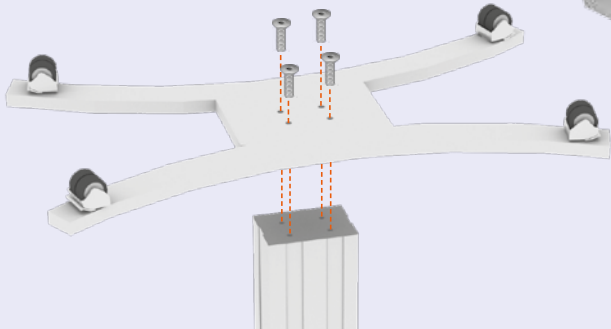


Installation guide for workIT desk interactive table
for EPSON[®] BrightLink[®] / BrightLink[®] Pro

Mounting the table unit

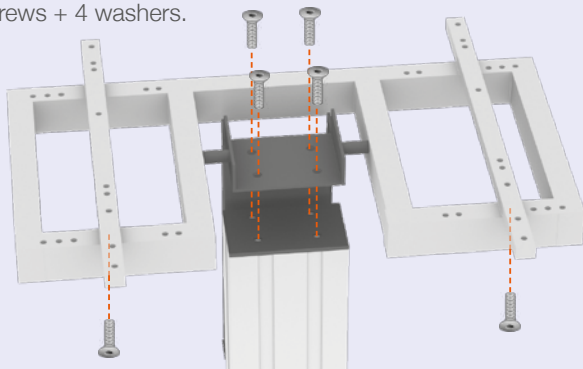
1

Unpack boxes 1 of 4 (Mobile base) and 2 of 4 (Motorized center column) and attach base to column using the 4 x M8 x 40 (1/3" x 1.6") Allen screws + 4 washers.



2

Unpack box 3 of 4 (Board frame w. tilt actuator) and attach frame to column using the 4 x M8 x 40 (1/3" x 1.6") Allen screws + 4 washers.



Make sure to run the two cables exiting the column through the cut out of the board frame before securing the 4 bolts.



3

Unpack box 4 of 4 (50" x 67" table top) and hang the board onto the frame.

Secure the board to the frame using the 4 x M6 x 70 (0.23" x 2.75") Allen head screws. They need to be inserted in the outer most holes on top and bottom of the frame.



4

Release the two bolts on the brackets on the back of the board and slide in the projector arm. Align the stripe on the arm, 7" from the top, with the upper edge of the top bracket. Secure the arm by tightening the bolts on both top and bottom bracket.



Attach Control Pad & Finger Touch Unit and feed cables (parts supplied with projector)

5

Attach Finger Touch Unit with 3 x Phillips head screws (0.165" x 1.25").



6

Applies only for **EPSON®** BrightLink® Pro

Attach Touch Panel with 4x Phillips head screws (0.165" x 0.63"). Only for use with WID-DL74 BLP & WID.



7

Applies only for **EPSON®** BrightLink® Pro

Feed the cable, which links FTU to the projector, through the opening in the board and plug in the connector.



8

Applies only for **EPSON®** BrightLink® Pro

Plug in both cables into the Control Pad (USB + 3.5mm audio). Only for use with WID-DL74 BLP & WID.



9

Feed all cables to the projector through the projector arm (from bottom to top of the arm).



Only for use with WID-DL74 BLP & WID.



Power up the unit

10



Put the plug of the external actuator into the connector marked with the yellow dot.



Plug in the remote control into the remaining connector.

Note the different numbers of pins on both plugs!



User guide for electrical height adjustable unit

Pressing knob raises lift unit

Pressing knob moves frame unit to the horizontal position

Pressing knob lowers lift unit

Pressing knob moves frame unit to the vertical position

Use of the remote control

For moving the unit up or down just press the buttons on the control unit. Releasing the button will immediately stop the movement. In case of emergency just unhand the control unit (watch dog switch). For further information your dealer will be at your disposal.



Mount the projector

11

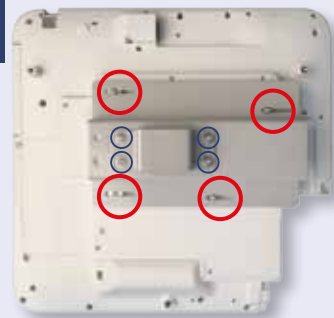


4 x rubber buffer 13 mm
4 x washer 8 mm

Mount the projector plate to the projector.

Start by placing the 0.5" rubber spacers over the 4 mounting holes. Place the metal washers on top.

12



Carefully place the projector plate on top of the spacers and washers and secure the plate with 4 x allen head screws M4 x 20 (0.15" x 1 3/4").

Attach the bracket, which will hold the projector to the projector arm, to the projector plate with 4 x allen head screws M6 x 10 (0.24" x 0.39").

Do not tighten the screws yet.

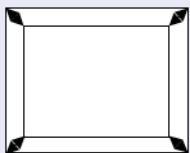
13



Attach the projector to the arm and tighten the screws.

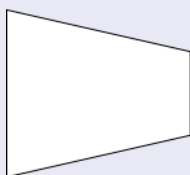
14

Adjust the projector



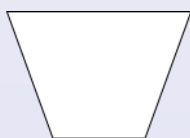
Picture is too small or too big:

To increase picture size loosen the adapter **E** and slide it over the tube away from the board. To decrease picture size move the projector towards the board. Tighten all screws securely afterwards.



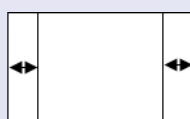
Horizontal keystone correction:

Loosen the adapter **E** and turn the projection to the right side if the picture is too small in the right side. Turn the projector the other way around, if the picture is too small in the left side.



Vertical keystone correction:

If the picture is bigger at the top than at the bottom, secure the screws **C** and **D** or loosen the screws **A** and **B** at the same time. If the picture is smaller in the top than in the bottom, tighten **A** and **B** or loosen **C** and **D**.



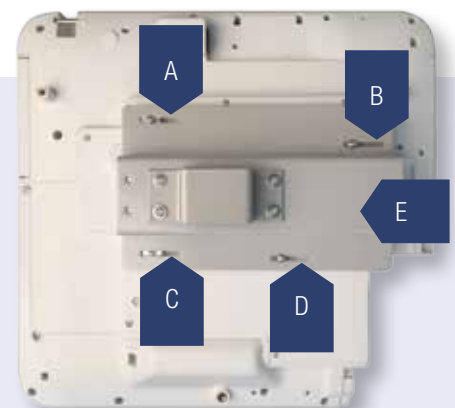
Picture is not centered:

Loosen the screws **A**, **B**, **C** and **D**. Move the projector in the right direction. Tighten all screws again.



Picture is not straight:

If the picture does fall down the left side, tighten the screws **A** and **C** and loosen the screws **B** and **D**. If the picture does fall down the right side, tighten the screws **B** and **D** or loosen the screws **A** and **C**.



Important hazard and safety notes

Please carefully read the below hazard and safety notes before using the height adjustment unit.

Electrical safety



Connect unit to a free accessible 110 – 230 V / 50 Hz grounded power outlet only. Make sure, the unit can be immediately separated from the power outlet.
Only use unit in dry rooms, protect unit from water and other liquids.
Clean center column with dry cloth only.
Do not open lift unit. **RISK OF ELECTRIC SHOCK.** There are no serviceable parts inside.
In case of malfunction unplug unit from power outlet and call your dealer.
Do not overrun the power cord or damage it in any other way. Replace damaged power cord immediately.



Ensure easy access of wall socket and power strip attached to the unit.



The device is not water proof.
Do not place liquids on the table.

General hints for mechanical safety



Max. load capacity of the lift unit is 300 lbs. Do not add any additional weight to the system, other than the components described in this manual. Do not sit, hang or lie on the table!
! VERY HEAVY UNIT.
Severe risk of injury when unit tips over due to improper use. Before adjusting height or tilt of the table, ensure no person or object is within 20 cm from the moving parts of the table, in order to avoid getting trapped or squeezed. In case of accident immediately release the button on the remote.
This will immediately stop the unit.

Special hints for moveable und free standing units



Only operate unit on plane and stable floors. Move unit on plane floors only.
Beware when moving the unit; risk of tipping over when overrunning floor unevenness, wdoor sils or similar.
! VERY HEAVY UNIT.
Severe risk of injury when unit tips over.
Lock brakes of front wheels when operating unit.

Instructions for disposal



Do not dispose to consumer waste.

ConenMounts Limited Warranty

Conen Produkte GmbH & Co. KG (“ConenMounts”) warrants its products to be free of defects in material or workmanship for three (3) years from the date of original purchase. For warranty service a proof of date of original purchase must be provided.

If any product is found to exhibit defects during the limited warranty period, ConenMounts will, at its sole discretion, repair or replace defective product at no charge to the original purchaser, subject to the conditions and exceptions described below.

To make a warranty claim, promptly notify ConenMounts within the warranty period described above by contacting the ConenMounts Support Center at support@conenmounts.com or 562-912-3458. No Products may be returned for credit, exchange, or service without prior authorization from ConenMounts. The purchaser is responsible for securely packaging the defective unit and returning it to ConenMounts or a ConenMounts Authorized Servicer via prepaid shipping. Repaired or replaced Products and parts supplied under this warranty shall be covered only by the unexpired portion of the warranty on the original purchase.

This warranty does not cover any damages caused by using improper packaging materials or improper packaging & shipping to or from ConenMounts. ConenMounts will not be liable for any damage caused by misuse, abuse, accidental damage, modification, improper repair or installation or adverse environmental factors including fire, flood, lightning or incorrect electrical currents. ConenMounts shall have no liability if the Product has been used in an application or environment other than that for which it was intended. All electrical mechanisms are intended for indoor use only. ConenMounts is not responsible for any damages from services performed by other than ConenMounts or a ConenMounts Authorized Servicer.

DISCLAIMER OF WARRANTIES: THE WARRANTY AND REMEDY PROVIDED ABOVE ARE EXCLUSIVE AND IN LIEU OF ALL OTHER EXPRESSED OR IMPLIED WARRANTIES INCLUDING, BUT NOT LIMITED TO, THE IMPLIED WARRANTIES OF MERCHANTABILITY, FITNESS FOR A PARTICULAR PURPOSE AND NON-INFRINGEMENT. UNLESS STATED HEREIN, ANY STATEMENTS OR REPRESENTATION MADE BY ANY OTHER PERSON OR FIRM ARE VOID.

This warranty shall be the sole and exclusive remedy to the original purchaser. ConenMounts’ entire liability for a material breach of this Agreement shall never exceed the purchase price of the Product covered by this Agreement. ConenMounts is not liable for performance delays or for nonperformance due to causes beyond its reasonable control. Except as provided in this written warranty, neither ConenMounts nor its affiliates shall be liable for any loss, inconvenience, or damage, including direct, special, incidental or consequential damages, including lost profits, cost of substitute equipment, downtime, claims of third parties, including customers, or injury to property, resulting from the use or inability to use the ConenMounts Product, whether resulting from a breach of warranty or any other legal theory. Some jurisdictions do not allow limits on warranties or remedies for breach in certain transactions. In such jurisdictions, the limits in this paragraph and the preceding paragraph may not apply.

Any dispute arising out of or relating to this Agreement will be settled by arbitration before a single arbitrator in Los Angeles County, California, in accordance with the Commercial Arbitration Rules of the American Arbitration Association. Judgment on the arbitrator’s award may be entered in any court having jurisdiction. This Agreement shall be construed in accordance with the internal laws of the State of California; provided that this arbitration clause shall be construed in accordance with the Federal Arbitration Act.

CONEN[®]
mounts



workIT desk

Designed for **EPSON**® BrightLink® Pro

CONEN®
mounts

Conen Produkte GmbH & Co. KG
Conenstr. 4
54497 Gonzerath
Germany

www.conenusa.com