

P525WL/P525UL/P605UL Installation Guide

Desktop and Ceiling Mount

Rev 1.1

Contents

Product Description, Lens Specs, Screen/Aspect Ratio	
Notes	Pg 1
Distance Charts and Formulas	Pg 2
Ceiling Mount/Desktop Installation	Pg 3
Lens Shift Adjustable Range	Pg 4
Cabinet Dimensions	Pg 5-6
Ventilation Requirements, Input Panel and Control Panel	Pg 7
Control Codes	Pg 8



Product Description

Type:	3 panel LCD projector, 0.64" p-Si TFT w/MLA	Dimensions: 18.9"(W) x 5.6"(H) x 16.0"(D)	Weight: 21.3 lbs
Resolution:	P525WL: 1280 x 800 (16:10) P525UL/P605UL: 1920 x 1200 (16:10)	Brightness:	P525WL: 5200 Lumens P525UL: 5200 Lumens P605UL: 6000 Lumens
Fan Noise:	P525WL/P525UL: 24 dB / 22dB @ 1 meter P605UL: 25 dB / 19dB @ 1 meter	BTU's:	P525WL: 1091.9 BTU/hour (max) P525UL: 1126.0 BTU/hour (max) P605UL: 1252.3 BTU/hour (max)
Power Consumption:	P525WL: 320W (max) P525UL: 330W (max) P605UL: 367W (max)		

Network Ready: Integrated wired (RJ45) and (optional) wireless adapter
Manual: Horizontal & Vertical Lens Shift, Zoom, Focus

Lens Specifications

Throw Ratio:	1.23 – 2.0:1 (for 100" diagonal)	Focal Length:	17.2mm – 27.6mm
Offset Angle:	4.8° - 8.0° (for 100" diagonal)	F/#:	1.5 – 2.1
Screen Sizes:	25" - 300" diagonal	Manual Focus/Manual Zoom/Manual Lens Shift	

Screen/Aspect Ratio

4:3, 16:9 and 16:10 screens are fully supported with proper aspect ratio control for both type sources using NEC developed scaling technology. Menu selections have settings for each screen type and aspect ratio control for each source type.

Notes

- For screen sizes not indicated on the projection tables, use the formulas below.
If the figures on the tables do not match the results of formulas, use the figures in the table..
- Distances are in inches, for millimeters multiply by 25.4.
- Distances may vary ±5%.

P525WL/P525UL/P605UL Installation Guide

Desktop and Ceiling Mount

Formulas: 16:10 Aspect Ratio

The Projection Formulas use the image width for calculation. Image width is the same for all aspect ratios, only vertical image size varies. For proper projector placement, determine the image width for a desired screen size. Use the Screen Formulas below to calculate all screen dimensions. Plug in the image width for "W" in the Projection Formulas.

Refer to the diagrams and charts for popular screen sizes on page 4:

16:10 Screen Formulas:

$$W = H \times 16/10$$

$$H = W \times 10/16$$

$$\text{Screen Diagonal} = W \times 18.868/16$$

Projection Formulas:

$$C (\text{wide}) = 1.237W - 1.394$$

$$C (\text{tele}) = 1.999W - 1.326$$

$$\text{Vertical Lens Shift Max (Up)} = 0.0625W$$

$$\text{Vertical Lens Shift Max (Down)} = -0.3125W$$

$$\alpha (\text{wide}) = \tan^{-1} (B/C(\text{wide}))$$

$$\alpha (\text{tele}) = \tan^{-1} (B/C(\text{tele}))$$

$$\text{Horizontal Lens Shift Max (Right)} = 0.29W$$

$$\text{Horizontal Lens Shift Max (Left)} = 0.-29W$$

Note: For screen sizes not indicated on the projection tables, use the formulas on page 1.

Distance Charts

The following shows the proper relative positions of the projector and screen. Refer to the table to determine the position of installation. Distances are in inches. For millimeters multiply by 25.4.

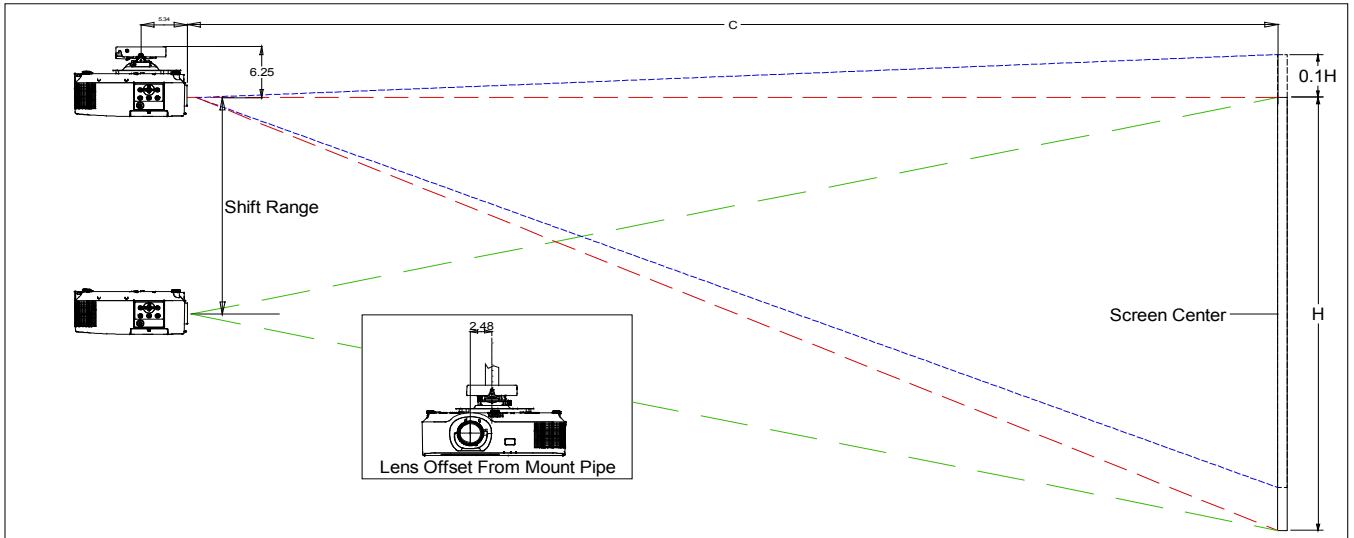
Screen Size (16:10)			C		Vertical Lens Shift Range			α		Horizontal Lens Shift Range		
Diagonal	Width(W)	Height (H)	wide - tele		Max (Up)		Max (Down)	wide - tele		Max (Right)		Max (Left)
inches	inches	inches	inches		inches			degrees		inches		
57	48	30	58	- 95	3	-	-15	17.2	- 10.8	14	-	-14
66	56	35	68	- 111	3	-	-17	17.2	- 10.7	16	-	-16
68	58	36	70	- 114	4	-	-18	17.2	- 10.7	17	-	-17
75	64	40	77	- 126	4	-	-20	17.2	- 10.7	18	-	-18
79	67	42	81	- 133	4	-	-21	17.1	- 10.7	19	-	-19
85	72	45	88	- 143	5	-	-23	17.1	- 10.7	21	-	-21
92	78	49	95	- 155	5	-	-24	17.1	- 10.7	23	-	-23
98	83	52	101	- 165	5	-	-26	17.1	- 10.7	24	-	-24
102	86	54	106	- 172	5	-	-27	17.1	- 10.7	25	-	-25
111	94	59	115	- 187	6	-	-29	17.1	- 10.7	27	-	-27
113	96	60	117	- 190	6	-	-30	17.1	- 10.7	28	-	-28
123	104	65	128	- 207	7	-	-33	17.0	- 10.7	30	-	-30
125	106	66	130	- 211	7	-	-33	17.0	- 10.7	31	-	-31
147	125	78	153	- 248	8	-	-39	17.0	- 10.7	36	-	-36
149	126	79	155	- 251	8	-	-39	17.0	- 10.7	37	-	-37
213	181	113	222	- 360	11	-	-56	17.0	- 10.7	52	-	-52
255	216	135	266	- 431	14	-	-68	16.9	- 10.7	63	-	-63
270	229	143	282	- 456	14	-	-72	16.9	- 10.7	66	-	-66
300	254	159	313	- 507	16	-	-79	16.9	- 10.7	74	-	-74

P525WL/P525UL/P605UL Installation Guide

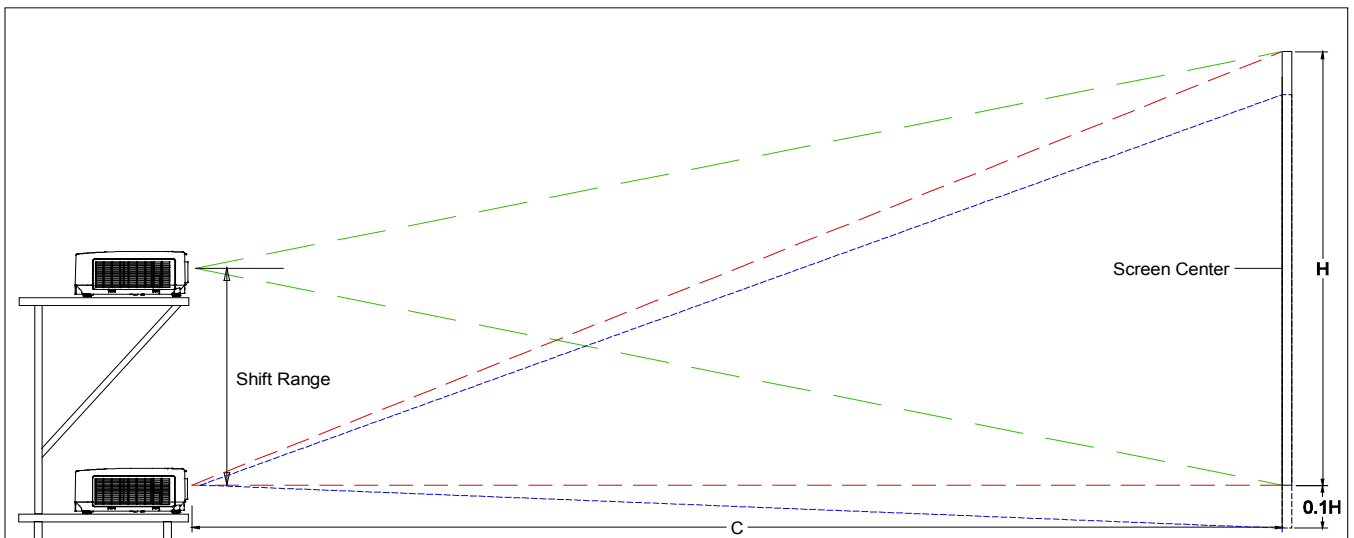
Desktop and Ceiling Mount

Rev 1.1

Ceiling Mounted



Desktop



P525WL/P525UL/P605UL Installation Guide

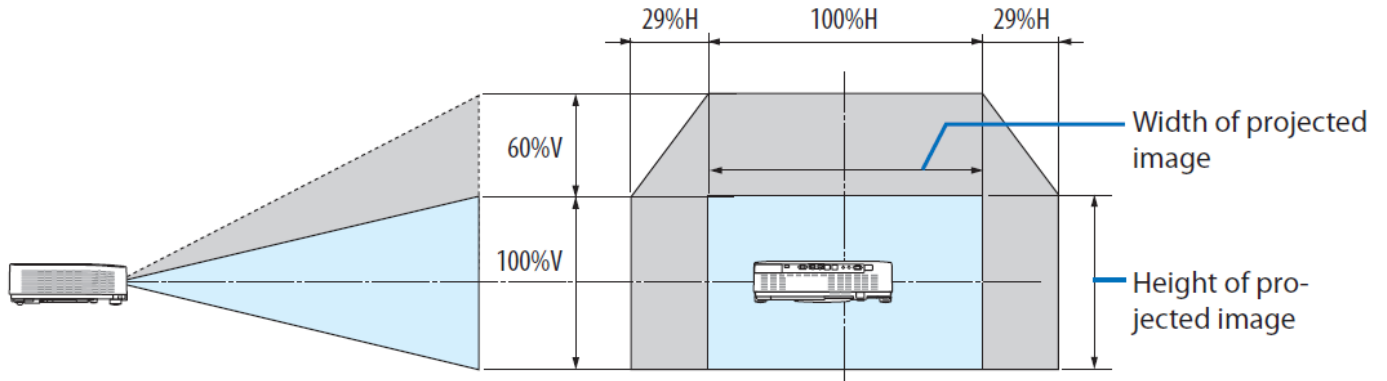
Desktop and Ceiling Mount

Rev 1.1

Lens Shift Adjustable Range

Lens Shift Range for Desktop and Ceiling Mount Application

The diagram below shows the location of the image position in the lens for the P525WL/P525UL. The P525WL/P525UL has a maximum horizontal lens shift range of +/- 29% and a maximum vertical lens shift of + 60%. The lens can be shifted within the shaded area as shown using the normal projection position as a starting point.



Note: Projector is set out of the box at center position, which is how it is depicted above.

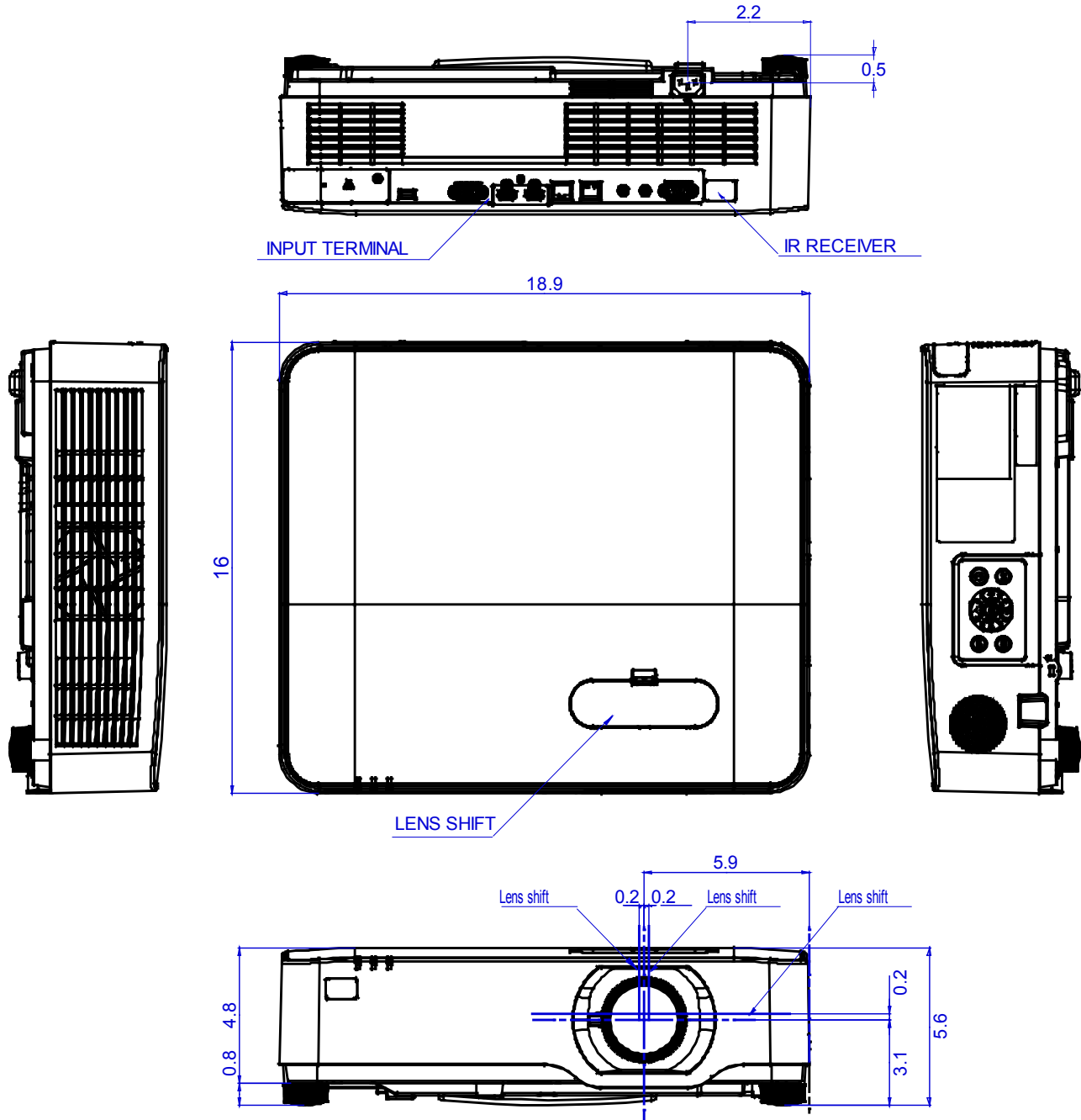
P525WL/P525UL/P605UL Installation Guide

Desktop and Ceiling Mount

Rev 1.0

Cabinet Dimensions

The following diagrams show the cabinet dimensions for the P525WL/P525UL.
Dimensions are in inches. For millimeters multiply by 25.4.

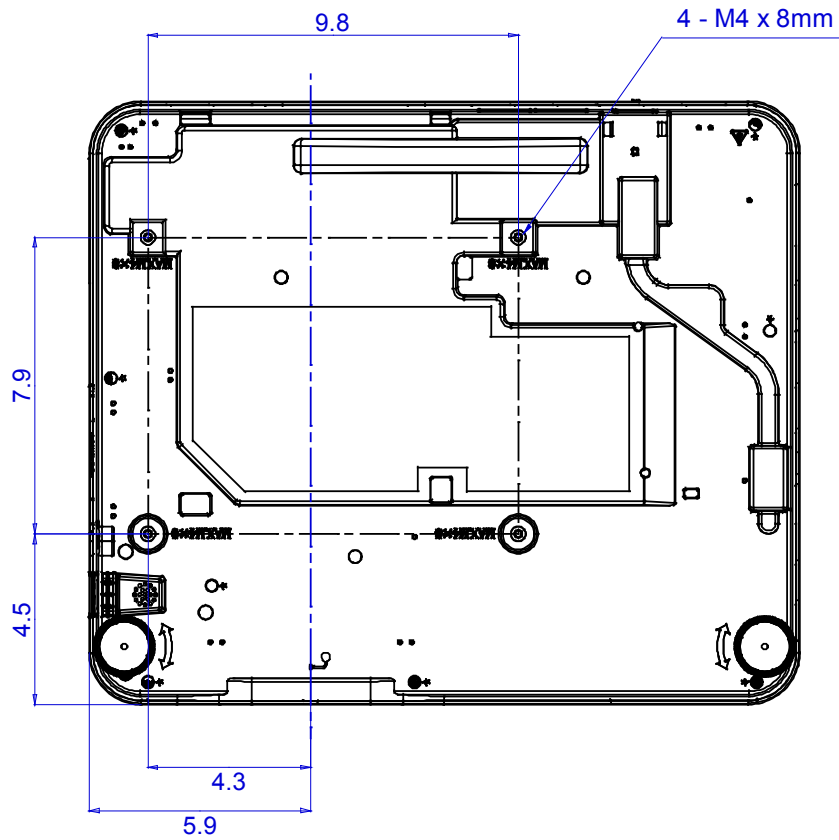


P525WL/P525UL/P605UL Installation Guide

Desktop and Ceiling Mount

Rev 1.0

Cabinet Dimensions

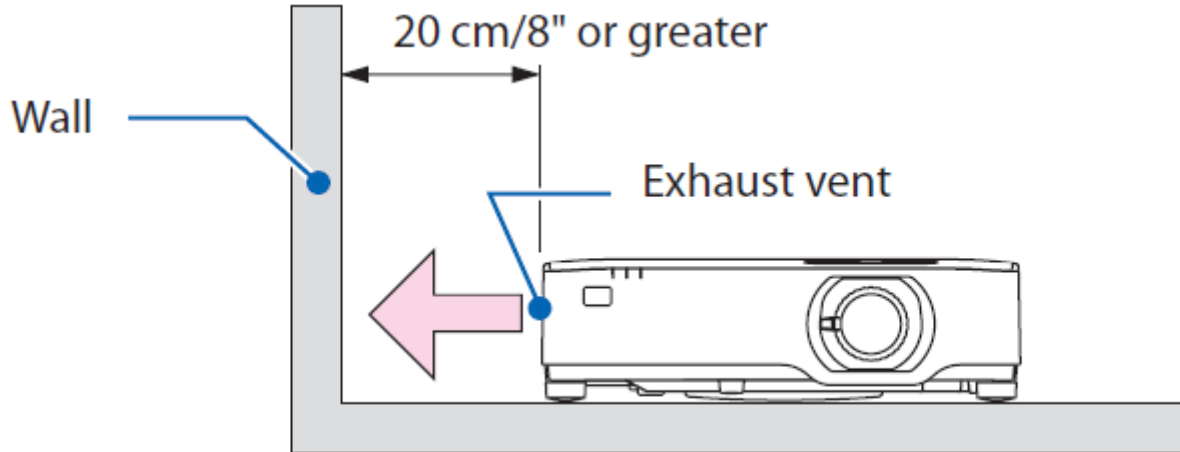


P525WL/P525UL/P605UL Installation Guide

Desktop and Ceiling Mount

Rev 1.0

Ventilation Requirements



Input Panel



Control Panel



P525WL/P525UL/P605UL Installation Guide

Desktop and Ceiling Mount

Rev 1.0

PC Control Codes

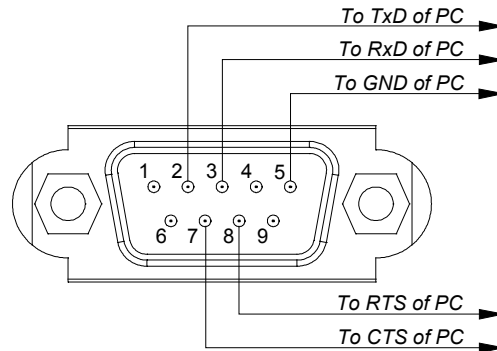
Function	Code Data							
POWER ON	02H	00H	00H	00H	00H	02H		
POWER OFF	02H	01H	00H	00H	00H	03H		
INPUT SELECT Computer	02H	03H	00H	00H	02H	01H	01H	09H
INPUT SELECT HDMI1	02H	03H	00H	00H	02H	01H	A1H	A9H
INPUT SELECT HDMI2	02H	03H	00H	00H	02H	01H	A2H	AAH
INPUT SELECT HDBaseT	02H	03H	00H	00H	02H	01H	BFH	C7H
INPUT SELECT USB-A	02H	03H	00H	00H	02H	01H	1FH	27H
INPUT SELECT LAN	02H	03H	00H	00H	02H	01H	20H	28H
PICTURE MUTE ON	02H	10H	00H	00H	00H	12H		
PICTURE MUTE OFF	02H	11H	00H	00H	00H	13H		
SOUND MUTE ON	02H	12H	00H	00H	00H	14H		
SOUND MUTE OFF	02H	13H	00H	00H	00H	15H		
AUTO ADJUST	02H	0FH	00H	00H	02H	05H	00H	18H

Cable Connection

Communication Protocol:

Baud Rate: 38400 bps (for cable lengths longer than 20', it is recommended changing to 9600 bps in setup menu)
 Data Length: 8 bits
 Parity: No Parity
 Stop Bit: One bit
 X on/off: None
 Communications: Full duplex

PC Control Connector (D-Sub 9P)



NOTE 1 : Pins 1, 4, 6, and 9 are used inside the projector.

NOTE 2 : For long cable runs it is recommended to set communication speed within the projector to 9600 bps.

NOTE 3 : Jumper "Request to Send" and "Clear to Send" together on both ends of the cable to simplify cable connection.