

## PA804UL & PA1004UL Installation Guide

### Desktop and Ceiling Mount

### Contents

Product Description, Lens Specs, Screen/Aspect Ratio	
Notes and Formulas	Pg. 1
Distance Charts and Formulas	Pg. 2-3
Ceiling Mount/Desktop Installation	Pg. 4
Lens Shift Adjustable Range	Pg. 5
Cabinet Dimensions	Pg. 6-9
Optional Lens Dimensions	Pg. 10
Ventilation Requirements/Portrait Requirements	Pg. 11
Regulatory Labels and Input Panel	Pg. 12
Control Codes	Pg. 13



### Product Description

<b>Type:</b>	3 panel LCD projector, 0.76 p-Si TFT w/MLA	<b>Dimensions:</b> 23.6"(W) x 8.5"(H) x 19.3"(D)
		<b>Weight:</b> PA804UL: 53.1 lbs PA1004UL: 53.8 lbs
<b>Resolution:</b>	1920 x 1200 (16:10)	<b>Brightness:</b> PA804UL: 8,200 Lumens PA1004UL: 10,000 Lumens
<b>Fan Noise:</b>	PA804UL: 30 dB / 28dB @ 1 meter PA1004UL: 35 dB / 32dB @ 1 meter	
<b>Power Consumption:</b>	PA804UL: 675W (max) PA1004UL: 845W (max)	<b>BTU's:</b> PA804UL: 2295 BTU/hour PA1004UL: 2873 BTU/hour

Network Ready, integrated wired and wireless adapter  
Manual: Lens Shift, Horizontal & Vertical /Zoom/ Focus using NP11FL, NP12ZL, NP13ZL, NP14ZL, NP15ZL

### Lens Specifications

<b>NP44ML-01LK :</b>	Throw Ratio: 0.32:1 Screen Sizes: 100"-400"	Focal Length: 6.27mm F/#:2.0	<b>Weight:</b> 6.8lbs. / 3.1kg
<b>NP11FL:</b>	Throw Ratio: ~ 0.79:1 Screen Sizes: 40"-150"	Focal Length: 13.2mm F/#:2.3	<b>Weight:</b> 2.6lbs. / 1.2kg
<b>NP12ZL:</b>	Throw Ratio: 1.16 - 1.52:1 Screen Sizes: 30" - 500"	Focal Length: 19.4 – 25.3mm F/#:2.2 – 2.69	<b>Weight:</b> 2.6lbs. / 1.2kg
<b>NP13ZL:</b>	Throw Ratio: 1.46 – 2.95:1 Screen Sizes: 40" - 500"	Focal Length: 24.4 – 48.6mm F/#:1.7 – 2.37	<b>Weight:</b> 1.9lbs. / 0.84kg
<b>NP14ZL:</b>	Throw Ratio: 2.90 -4.64:1 Screen Sizes: 60" - 500"	Focal Length: 48.5 - 77.6mm F/#:2.2 -2.64	<b>Weight:</b> 2.2lbs. / 1.0kg
<b>NP15ZL:</b>	Throw Ratio: 4.59 – 7.02:1 Screen Sizes: 60"-500"	Focal Length: 76.6 –116.5mm F/#:2.2 -2.7	<b>Weight:</b> 2.2lbs. / 1.0kg
<b>NP40ZL:</b>	Throw Ratio: 0.79 – 1.11:1 Screen Sizes: 50"-500"	Focal Length: 13.3 – 18.6mm F/#:2.0 - 2.5	<b>Weight:</b> 3.5lbs. / 1.6kg
<b>NP41ZL:</b>	Throw Ratio: 1.30 – 3.02:1 Screen Sizes: 50" - 500"	Focal Length: 21.8 – 49.8mm F/#:1.7 – 2.0	<b>Weight:</b> 3.7lbs. / 1.7kg
<b>NP43ZL:</b>	Throw Ratio: 2.99 – 5.93:1 Screen Sizes: 50"-500"	Focal Length: 49.7 – 99.8mm F/#:2.2 -2.6	<b>Weight:</b> 3.7lbs. / 1.7kg

### Screen/Aspect Ratio

**4:3, 16:9 and 16:10 screens are fully supported** with proper aspect ratio control for both type sources using NEC developed scaling technology. Menu selections have settings for each screen type and aspect ratio control for each source type.

### Notes

- For screen sizes not indicated on the projection tables, use the formulas below.  
If the figures on the tables do not match the results of formulas, use the figures in the table.
- Distances are in inches, for millimeters multiply by 25.4.
- Distances may vary ±5%.

## PA804UL & PA1004UL Installation Guide

### Desktop and Ceiling Mount

Rev 1.2

#### Formulas: 16:10 Aspect Ratio (WUXGA)

The Projection Formulas use the image width for calculation. Image width is the same for all aspect ratios, only vertical image size varies. For proper projector placement, determine the image width for a desired screen size. Use the Screen Formulas below to calculate all screen dimensions. Plug in the image width for "W" in the Projection Formulas.

Refer to the diagrams and charts for popular screen sizes on page 2 and 3:

#### Projection Formulas:

- NP11FL:** C = 0.807W – 1.354
- NP12ZL:** C(Wide) = 1.185W – 1.794 ----- C(Tele) = 1.541W – 1.794
- NP13ZL:** C(Wide) = 1.488W – 1.974 ----- C(Tele) = 2.970W – 1.972
- NP14ZL:** C(Wide) = 2.961W – 4.844 ----- C(Tele) = 4.737W – 4.844
- NP15ZL:** C(Wide) = 4.681W – 7.630 ----- C(Tele) = 7.115W – 7.630
- NP40ZL:** C(Wide) = 0.807W – 1.535 ----- C(Tele) = 1.131W – 1.632
- NP41ZL:** C(Wide) = 1.323W – 1.763 ----- C(Tele) = 3.034W – 1.539
- NP43ZL:** C(Wide) = 2.929W + 5.143 ----- C(Tele) = 5.878W + 4.320

Horizontal Lens Shift Max (Right) = 0.30W (NP12ZL, NP13ZL, NP14ZL, NP15ZL)

Horizontal Lens Shift Max (Left) = 0.30W (NP12ZL, NP13ZL, NP14ZL, NP15ZL)

Horizontal Lens Shift Max (Right) = 0.30W (NP40ZL, NP41ZL, NP43ZL)

Horizontal Lens Shift Max (Left) = 0.30W (NP40ZL, NP41ZL, NP43ZL)

#### Definitions:

- W = Image Width
- H = Image Height (size)
- C = Throw distance

#### 16:10 Screen Formulas

- W = H x 16/10
- H = W x 10/16
- Diagonal = W x 18.868/16

Screen Size (16:10)			Rear Lens	Zoom Lenses												
Diagonal	Width(W)	Height (H)	NP11FL	NP12ZL	NP13ZL	NP14ZL	NP15ZL	NP40ZL	NP41ZL	NP43ZL						
inches	inches	inches	inches	inches	inches	inches	inches	inches	inches	inches	inches	inches	inches	inches	inches	inches
40	34	21	26.02	38.4 - 50.5	48.5 - 98.8	N/A - N/A	N/A - N/A	N/A - N/A	N/A - N/A	N/A - N/A	N/A - N/A	N/A - N/A	N/A - N/A	N/A - N/A	N/A - N/A	N/A - N/A
60	51	32	39.71	58.5 - 76.6	73.7 - 149.1	145.8 - 236.2	230.5 - 354.4	39.5 - 55.9	65.6 - 152.8	154.2 - 303.4						
67	57	36	44.50	65.5 - 85.8	82.6 - 166.8	163.4 - 264.3	258.3 - 396.6	44.3 - 62.6	73.4 - 170.8	171.6 - 338.3						
72	61	38	47.92	70.6 - 92.3	88.9 - 179.4	175.9 - 284.4	278.2 - 426.8	47.7 - 67.4	79.0 - 183.7	184.0 - 363.2						
84	71	45	56.13	82.6 - 108.0	104.0 - 209.6	206.1 - 332.6	325.8 - 499.2	55.9 - 78.9	92.5 - 214.6	213.8 - 423.0						
94	80	50	62.97	92.7 - 121.0	116.6 - 234.8	231.2 - 372.8	365.5 - 559.5	62.8 - 88.5	103.7 - 240.3	238.6 - 472.9						
100	85	53	67.08	98.7 - 128.9	124.2 - 249.9	246.2 - 396.9	389.3 - 595.7	66.9 - 94.3	110.4 - 255.7	253.5 - 502.8						
120	102	64	80.77	118.8 - 155.0	149.4 - 300.3	296.5 - 477.2	468.7 - 716.4	80.6 - 113.5	132.9 - 307.2	303.2 - 602.5						
150	127	79	N/A	148.9 - 194.2	187.3 - 375.8	371.8 - 597.7	587.8 - 897.4	101.1 - 142.2	166.5 - 384.4	377.7 - 752.0						
180	153	95	N/A	179.1 - 233.4	225.2 - 451.4	447.1 - 718.2	706.9 - 1078.4	121.6 - 171.0	200.2 - 461.6	452.2 - 901.5						
210	178	111	N/A	209.2 - 272.6	263.0 - 526.9	522.4 - 838.7	826.0 - 1259.4	142.2 - 199.8	233.8 - 538.8	526.7 - 1051.1						
240	204	127	N/A	239.4 - 311.8	300.9 - 602.5	597.8 - 959.2	945.0 - 1440.4	162.7 - 228.5	267.5 - 615.9	601.3 - 1200.6						
270	229	143	N/A	269.5 - 351.0	338.7 - 678.0	673.1 - 1079.7	1064.1 - 1621.4	183.2 - 257.3	301.1 - 693.1	675.8 - 1350.1						
300	254	159	N/A	299.7 - 390.2	376.6 - 753.6	748.4 - 1200.2	1183.2 - 1802.4	203.8 - 286.1	334.8 - 770.3	750.3 - 1499.7						
400	339	212	N/A	400.2 - 520.9	502.8 - 1005.4	999.5 - 1601.9	1580.2 - 2405.8	272.2 - 382.0	447.0 - 1027.6	998.7 - 1998.1						
500	424	265	N/A	500.6 - 651.6	628.9 - 1257.3	1250.6 - 2003.6	1977.1 - 3009.1	340.6 - 477.9	559.2 - 1284.9	1247.0 - 2496.6						

**Note:** For screen sizes not indicated in projection tables, refer to formulas above respective charts.

## PA804UL & PA1004UL Installation Guide

Desktop and Ceiling Mount

Rev 1.2

### Formulas: 16:10 Aspect Ratio (WUXGA)

The Projection Formulas use the image width for calculation. Image width is the same for all aspect ratios, only vertical image size varies. For proper projector placement, determine the image width for a desired screen size. Use the Screen Formulas below to calculate all screen dimensions. Plug in the image width for "W" in the Projection Formulas.

Refer to the diagrams and charts for popular screen sizes on page 2 and 3:

#### Projection Formulas:

NP44ML-01LK:  $A = (0.339 * W) - 25.2$   
 $B = ((0.844 * W) + 6.614) - (0.5 * H)$   
 $C = (0.339 * W) - 1.333$   
 $D = (0.219 * W) - 1.791$   
 $E = (0.219 * W) + 6.562$

#### Definitions:

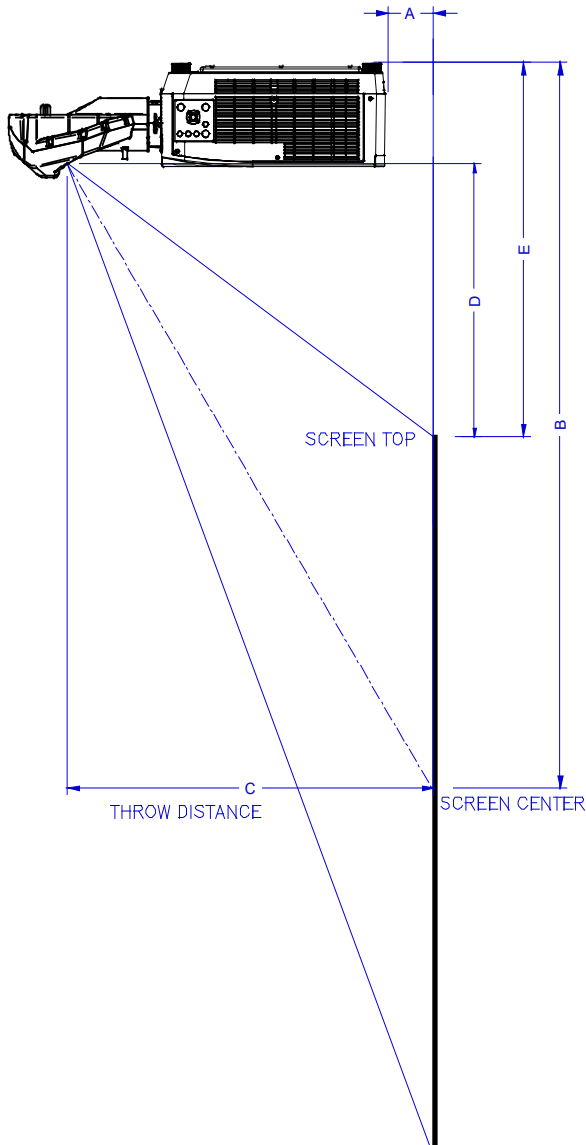
W = Image Width  
 H = Image Height (size)  
 C = Throw distance

#### 16:10 Screen Formulas

$W = H \times 16/10$   
 $H = W \times 10/16$   
 Screen Diagonal =  $W \times 18.868/16$

### Distance Chart for popular 16:10 Screens (WUXGA)

#### NP44ML-01LK Installation



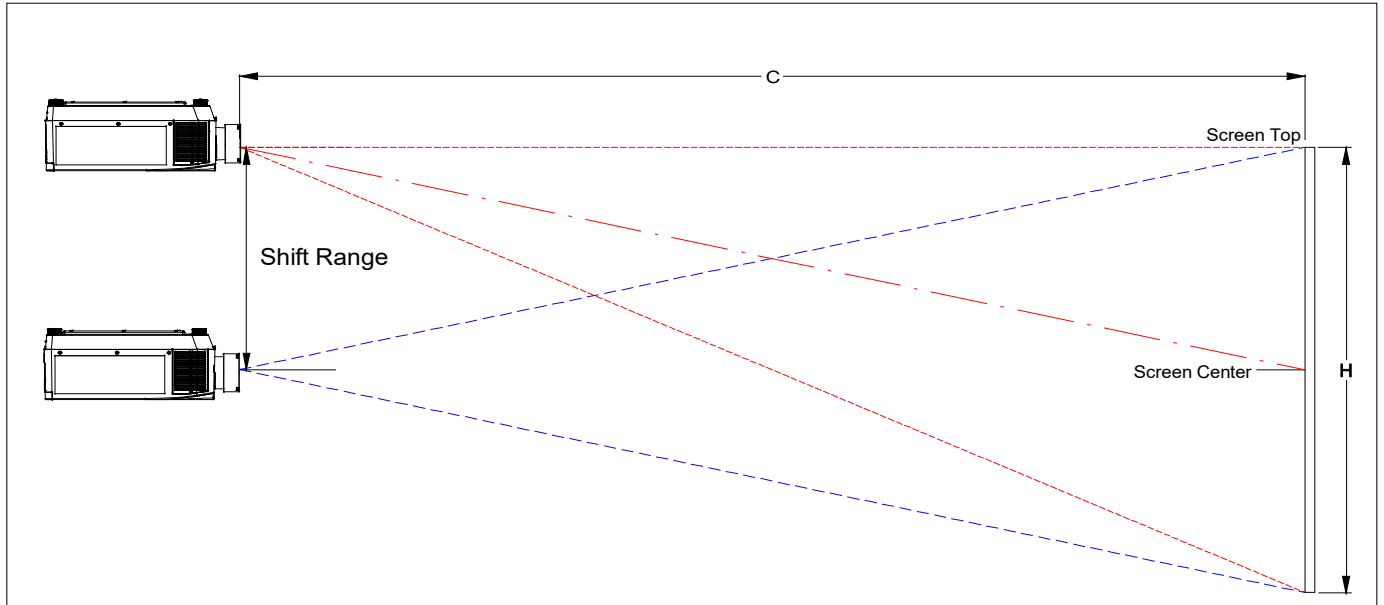
Screen Size (16:10)			A	B	C	D	E
Diagonal	Width(W)	Height (H)	inches	inches	inches	inches	inches
108	92	57	5.8	55.3	29.7	18.3	26.6
113	96	60	7.3	57.5	31.2	19.2	27.5
130	110	69	12.2	65.2	36.0	22.4	30.7
137	116	73	14.2	68.4	38.1	23.7	32.0
164	139	87	21.9	80.5	45.8	28.7	37.0
189	160	100	29.1	91.8	53.0	33.3	41.7
208	176	110	34.6	100.4	58.5	36.8	45.2
226	192	120	39.8	108.5	63.6	40.2	48.5
270	229	143	52.4	128.3	76.3	48.4	56.7
300	254	159	61.0	141.8	84.9	53.9	62.3
350	297	185	75.4	164.4	99.3	63.2	71.6

## PA804UL & PA1004UL Installation Guide

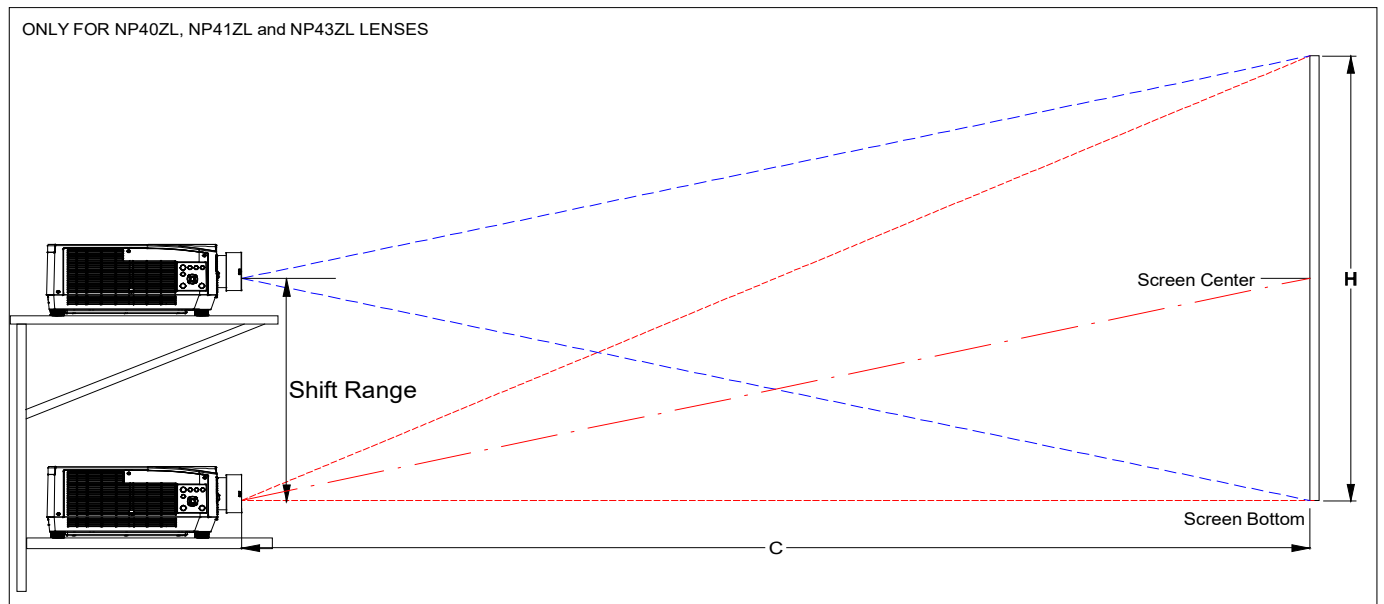
Desktop and Ceiling Mount

Rev 1.2

### Ceiling Mount Installation



### Desktop Installation



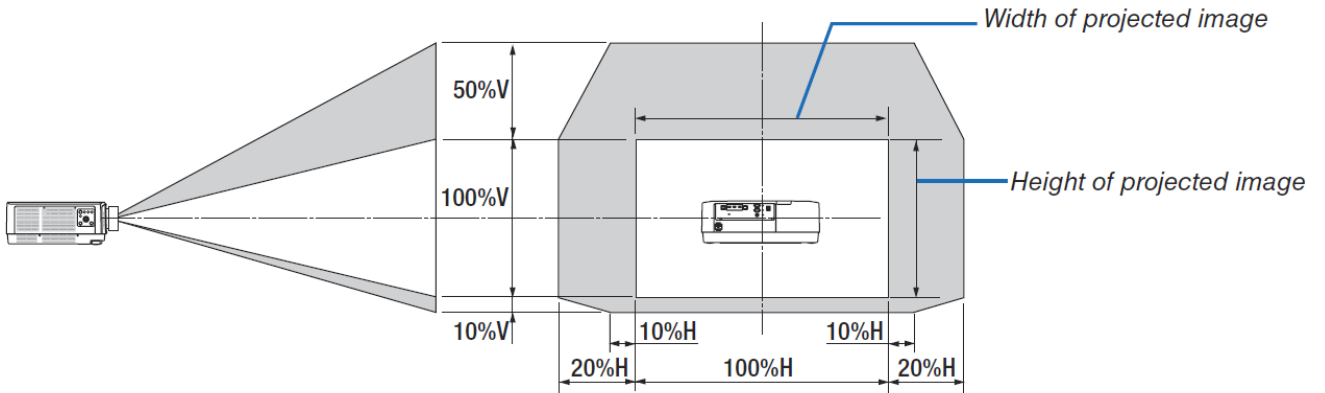
## PA804UL & PA1004UL Installation Guide

Desktop and Ceiling Mount

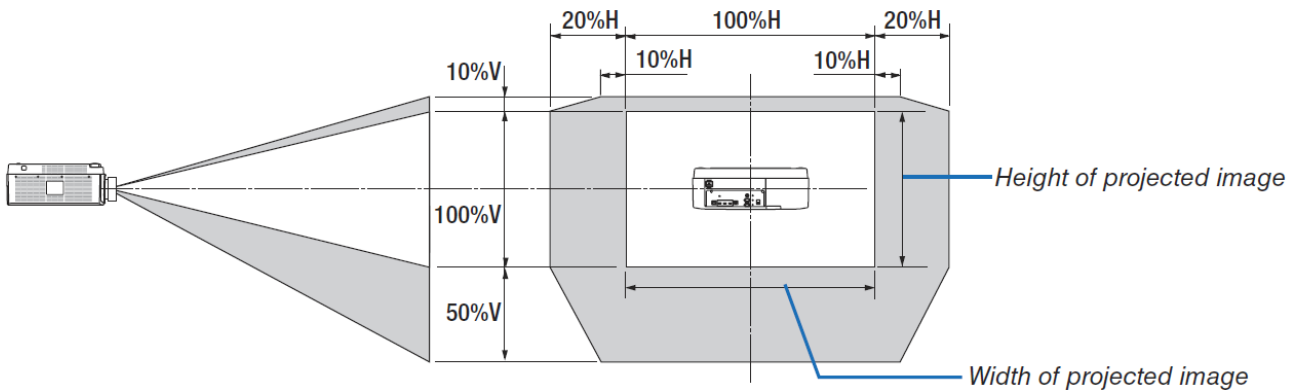
Rev 1.2

### Lens Shift Adjustable Range

#### Desk/front projection



#### Ceiling/front projector



## PA804UL & PA1004UL Installation Guide

Desktop and Ceiling Mount

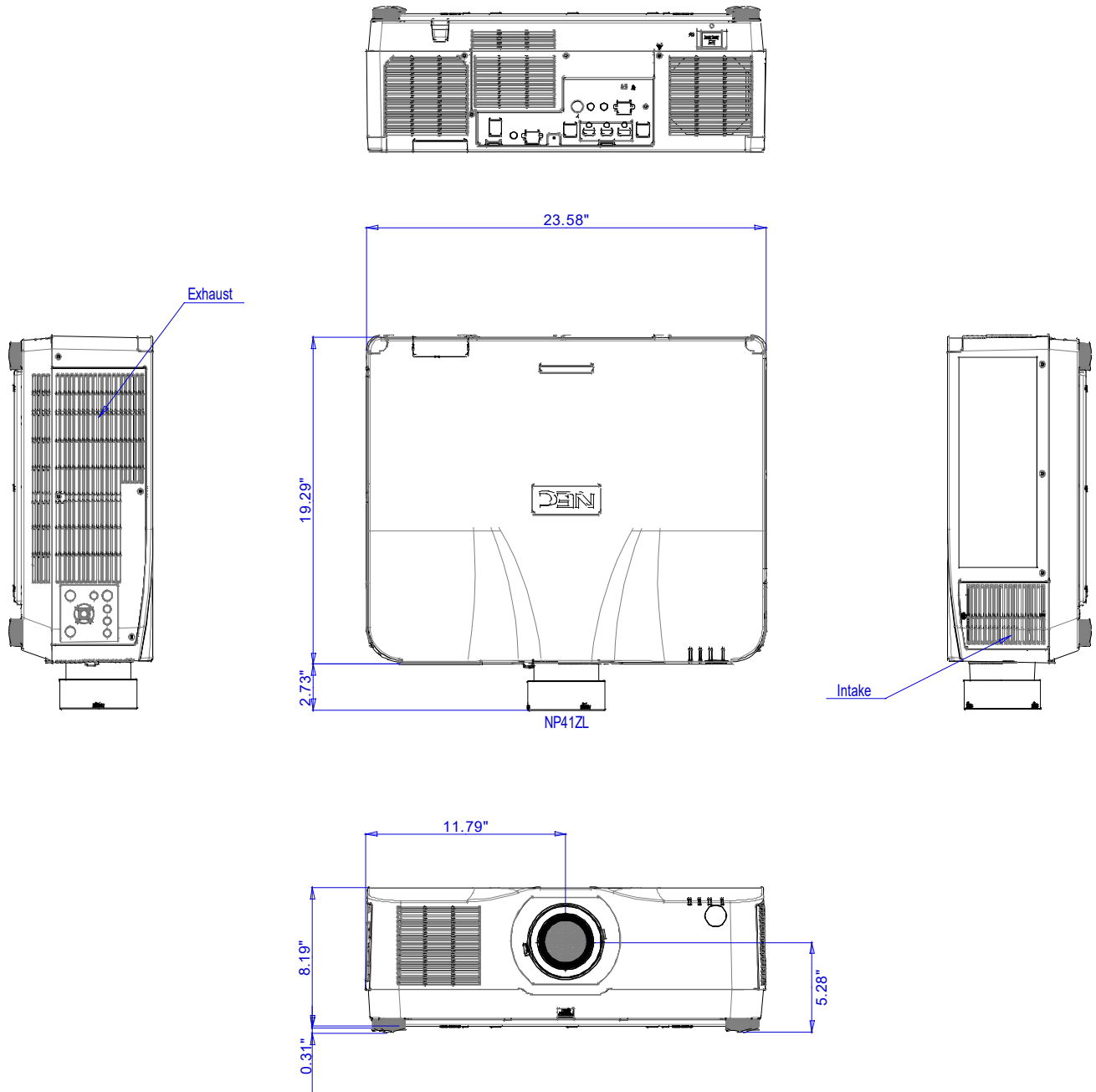
Rev 1.2

### Cabinet Dimensions

The following diagrams show the cabinet dimensions for the PA804UL/PA1004UL.

Dimensions are in inches. For millimeters multiply by 25.4.

Note: Dimensions below shown with the NP41ZL lens

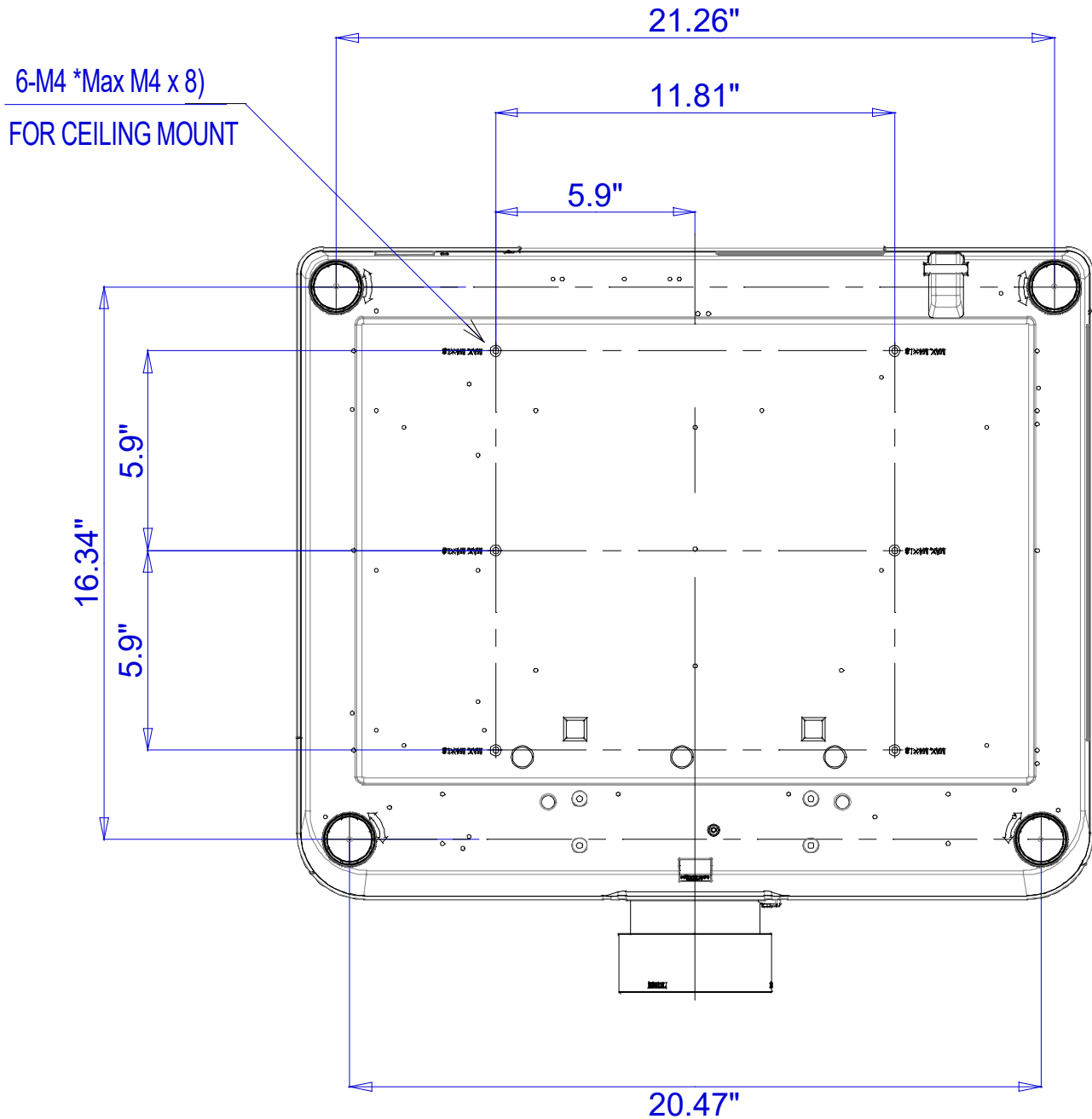


## PA804UL & PA1004UL Installation Guide

Desktop and Ceiling Mount

Rev 1.2

### Cabinet Dimensions



## PA804UL & PA1004UL Installation Guide

Desktop and Ceiling Mount

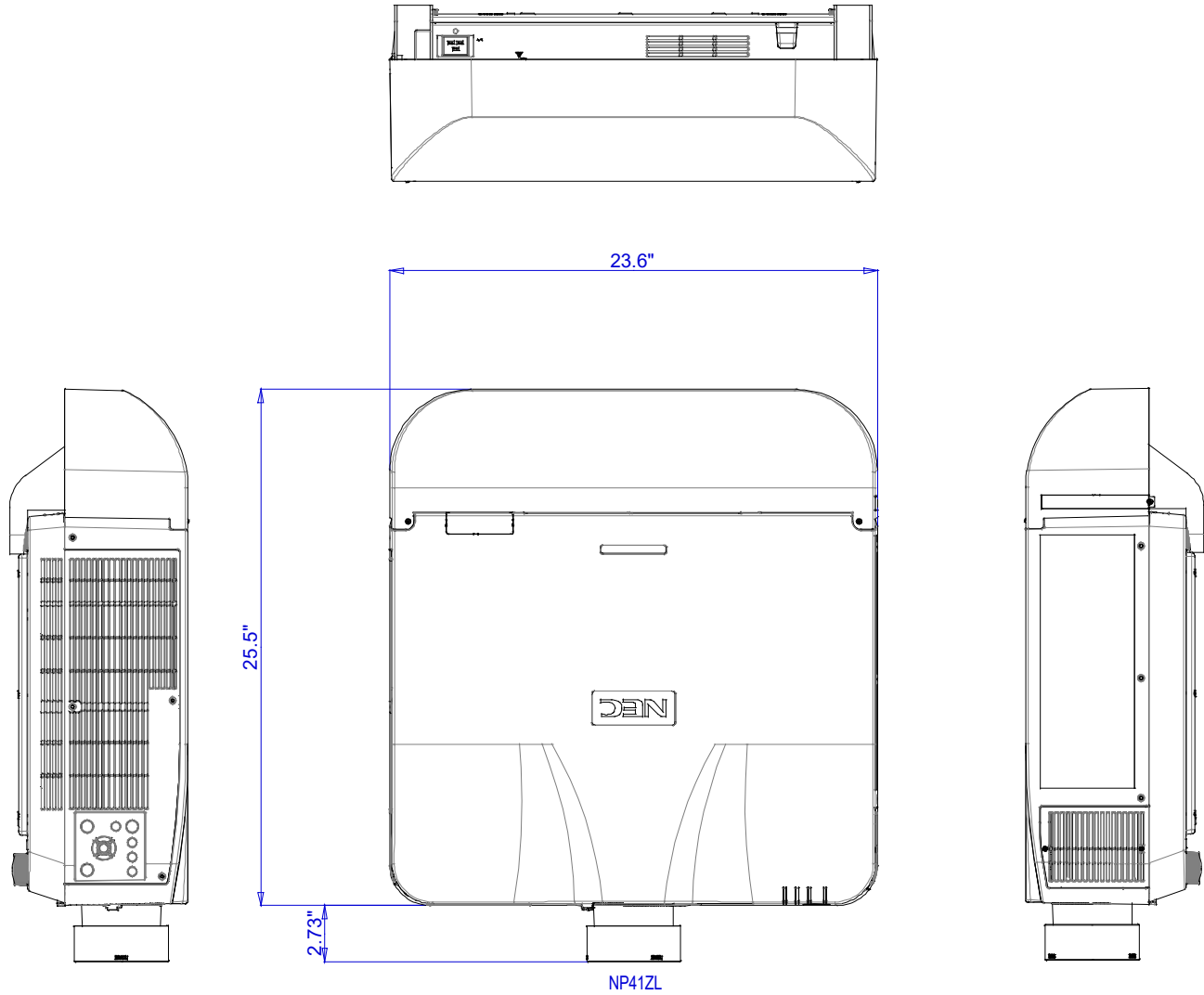
Rev 1.2

### Cabinet Dimensions with Cable Cover

The following diagrams show the cabinet dimensions for the PA804UL/PA1004UL.

Dimensions are in inches. For millimeters multiply by 25.4.

Note: Dimensions below shown with the NP41ZL lens



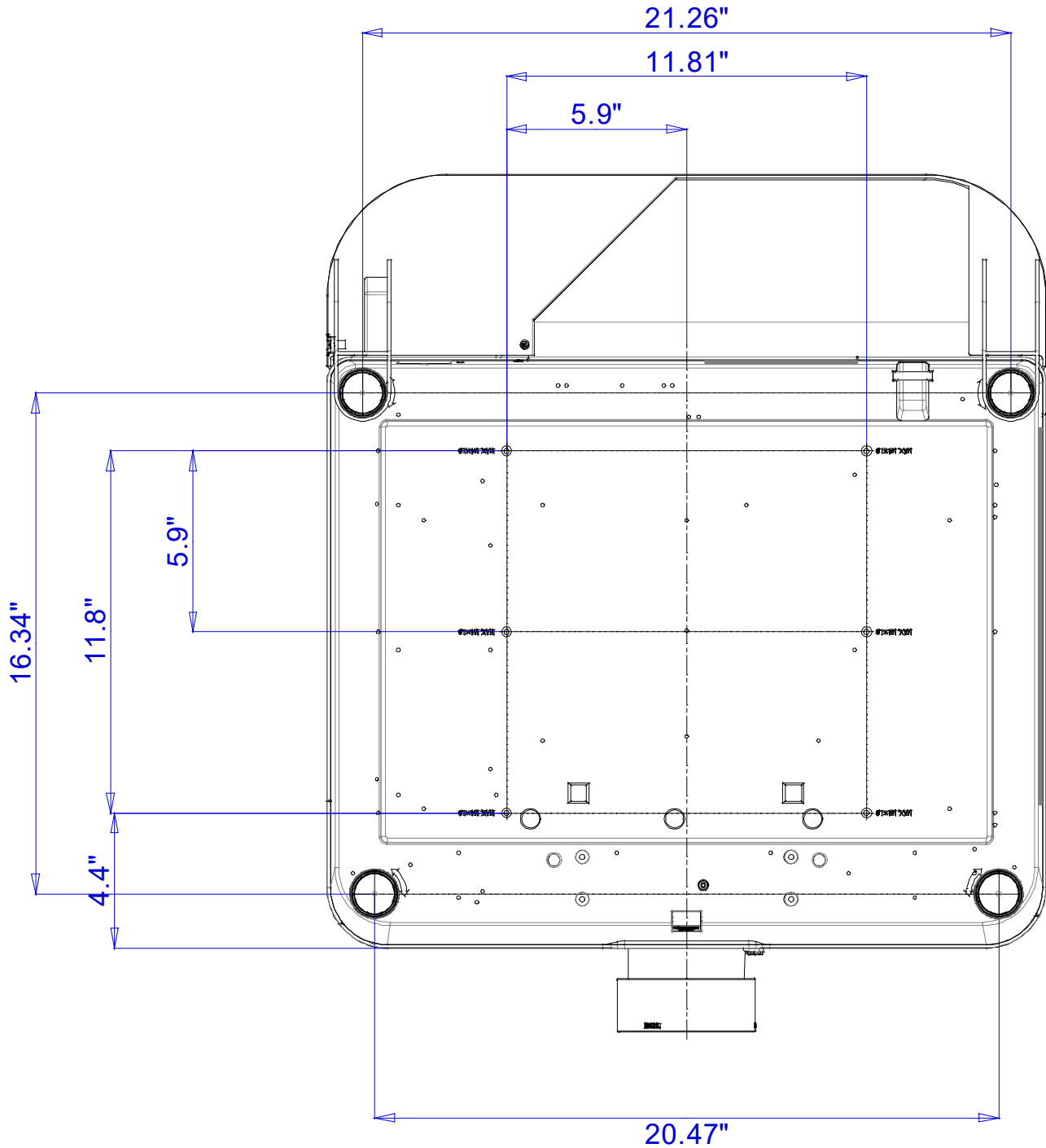


## PA804UL & PA1004UL Installation Guide

Desktop and Ceiling Mount

Rev 1.2

### Cabinet Dimensions with Cable Cover



## PA804UL & PA1004UL Installation Guide

Desktop and Ceiling Mount

Rev 1.2

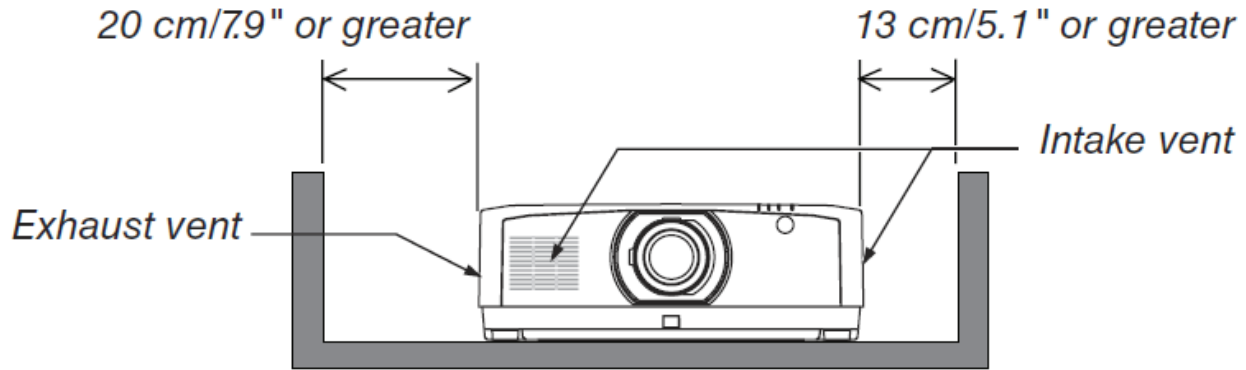
### Optional Lens Dimensions (NP40ZL and NP43ZL)

## PA804UL & PA1004UL Installation Guide

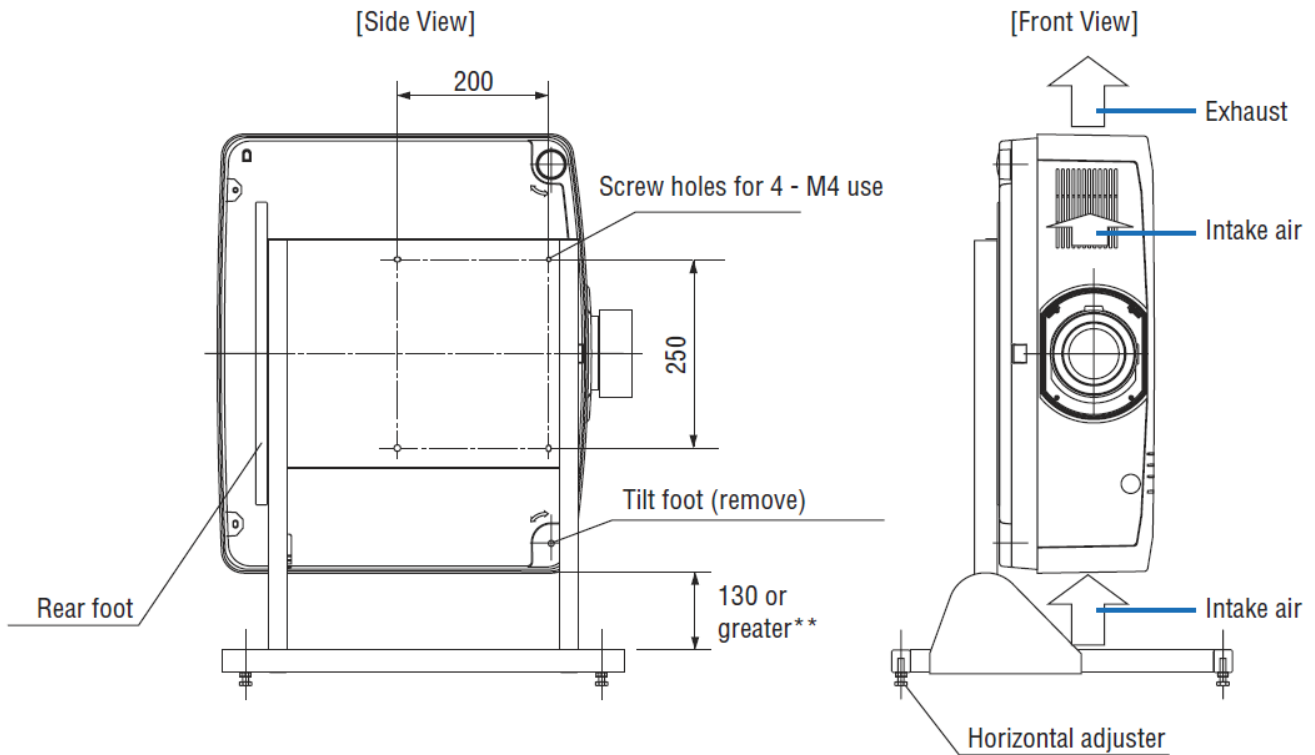
Desktop and Ceiling Mount

Rev 1.2

### Ventilation Requirements



### Portrait Requirements



## PA804UL & PA1004UL Installation Guide

Desktop and Ceiling Mount

Rev 1.2

### Regulatory Labels

#### Label 1



#### Label 2



### Input Panel



## PA804UL & PA1004UL Installation Guide

Desktop and Ceiling Mount

Rev 1.2

### PC Control Codes

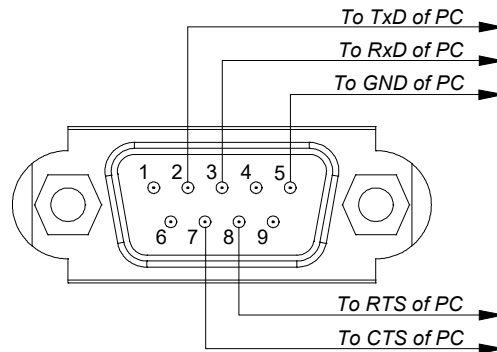
Function	Code Data							
POWER ON	02H	00H	00H	00H	00H	02H		
POWER OFF	02H	01H	00H	00H	00H	03H		
INPUT SELECT HDMI1	02H	03H	00H	00H	02H	01H	A1H	A9H
INPUT SELECT HDMI2	02H	03H	00H	00H	02H	01H	A2H	AAH
INPUT SELECT DisplayPort	02H	03H	00H	00H	02H	01H	A6H	AEH
INPUT SELECT Computer	02H	03H	00H	00H	02H	01H	01H	09H
INPUT SELECT HDBaseT	02H	03H	00H	00H	02H	01H	BFH	C7H
PICTURE MUTE ON	02H	10H	00H	00H	00H	12H		
PICTURE MUTE OFF	02H	11H	00H	00H	00H	13H		
SOUND MUTE ON	02H	12H	00H	00H	00H	14H		
SOUND MUTE OFF	02H	13H	00H	00H	00H	15H		
ON SCREEN MUTE ON	02H	14H	00H	00H	00H	16H		
ON SCREEN MUTE OFF	02H	15H	00H	00H	00H	17H		
AUTO ADJUST	02H	0FH	00H	00H	02H	05H	00H	18H

### Cable Connection

#### Communication Protocol:

Baud Rate: 38400 bps (for cable lengths longer than 20', it is recommended changing to 9600 bps in setup menu)  
 Data Length: 8 bits  
 Parity: No Parity  
 Stop Bit: 1 bit  
 X on/off: None  
 Communications: Full duplex

#### PC Control Connector (D-Sub 9P)



**NOTE 1:** Pins 1, 4, 6, and 9 are used inside the projector.

**NOTE 2:** For long cable runs it is recommended to set communication speed within the projector to 9600 bps.

**NOTE 3:** Jumper "Request to Send" and "Clear to Send" together on both ends of the cable to simplify cable connection.