

CB Series + Chromebox Bundle

Create – Collaborate – Share

NEC Collaborative Board and AOpen Chromebox bundle.



NEC's Collaborative Board is an ideal, all-in-one teaching solution utilizing a built in SoC. Preloaded with interactive whiteboarding and wireless presenting software that is easy to use and requires no special setup. Now included in this bundle is the AOPEN Chromebox Commercial 2 for more advanced collaboration. Deployment and management of the devices have never been easier using Chrome Device Management. This powerful and reliable device brings Chrome OS and the Chrome Web Store to the CB Series for a dynamic all-in-one box solution.

NEC Collaborative Board plus Chromebox - All in one collaborative solution ideal for institutions using google platforms for teaching and sharing of ideas



Delivering Benefits

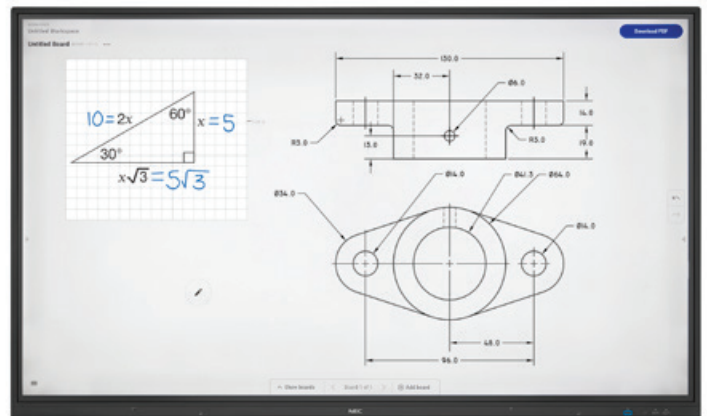
- All you need - the NEC collaborative board ships with integrated touch, SoC, and speakers.
- Robust and reliable touch experience - utilizing an integrated 10pt IR touch that can use the included passive pens or finger.
- Best in class visual performance - displays are available in 65", 75", and 86" sizes, all of which support UHD resolution.
- Software to meet your needs - the SoC comes preloaded with interactive whiteboarding and wireless presenting software.
- Versatile compatibility - the Connect wireless presenting software supports Chrome, Windows 10, iOS, and Android operating systems.
- The included Chromebox is powered by an Intel® Celeron 3865U / Intel® Core i3-8130U with the Google Chrome Web Store. Additional inputs that support HDMI 2.0 w/ USB 2.0 connectivity so that touch can be supported by simply switching inputs.

Mosaic Connect



- Connect is a wireless presenting tool that allows up to 4 users to connect at once
- Sharing requires connection to the Internet
- Share from any Windows 10, iOS, Android, or Chrome device
- Interface is through either the Connect App which allows for USB control of the device, or through a HTML5 browser like Chrome
- Make notations on top of shared content
- Connectivity is possible across multiple networks with Internet access

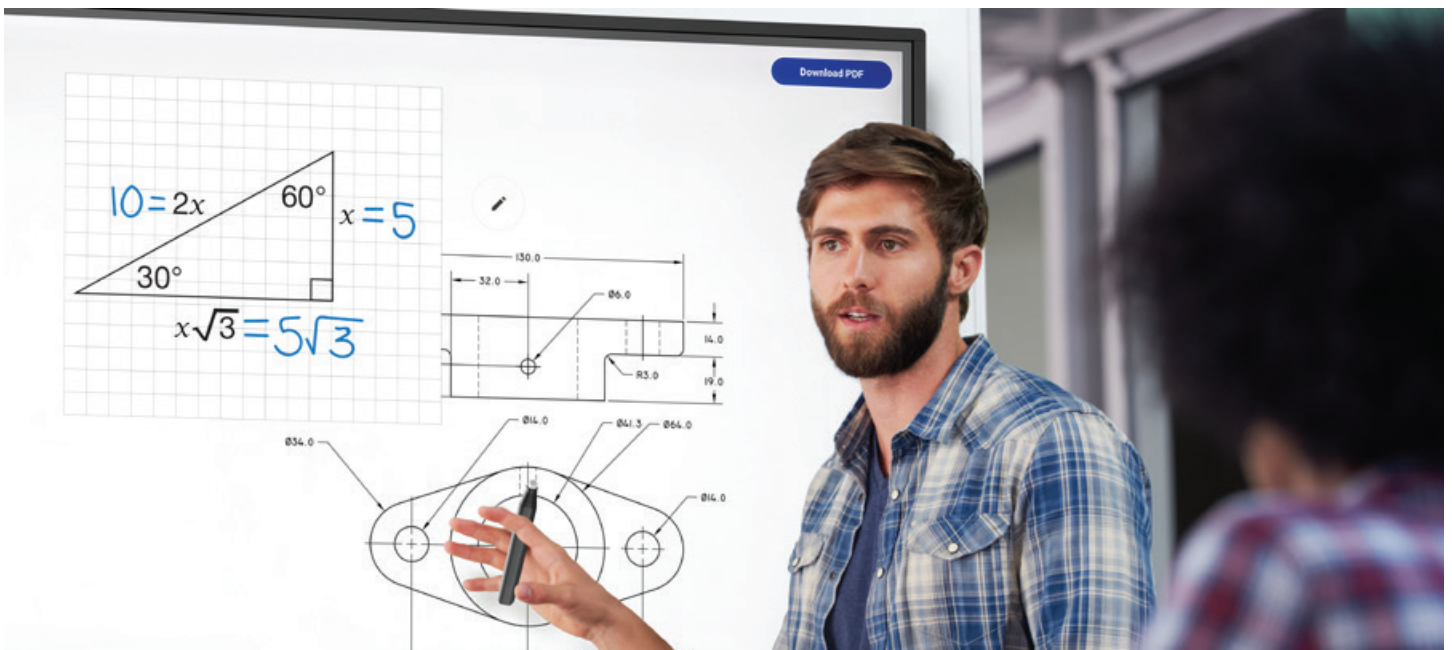
Mosaic Canvas



- With Canvas, multiple users can annotate on the display at the same time
- Keep control of your ideas, zooming in & out on the large and flexible whiteboard canvas and benefit from the magnifier to keep focused on your detailed working area
- Bring color to your ideas by importing image files and annotating on top of them
- Customize your tool palette and drag and drop the tools you use the most for quick and easy access

What's Included

- AOPEN Chromebox 2 Commercial
- Wall mount
- Passive pens
- 3-year warranty



MODEL		CB651Q	CB751Q	CB861Q
LCD MODULE	Panel Technology	IPS		
	Viewable Image Size	65"	75"	86"
	Native Resolution	3840 x 2160		
	Brightness (Typical)	350 cd/m ²		
	Contrast Ratio (Typical)	1200:1	1100:1	1200:1
	Viewing Angle	178° Vert., 178° Hor. (89U/89D/89L/89R) @ CR>10		
	Aspect Ratio	16:9		
	Displayable Colors	Over 1.07 Billion		
	Orientation	Landscape		
	Panel Haze (%)	28		
CONNECTIVITY	Input Terminals			
	Digital	HDMI 2.0 x 3		
	Analog	VGA mini 15pin D-SUB, HDCP 2.2/1.4		
	Audio	Audio Mini-Jack, HDMI Audio x3		
	External Control	LAN (100Mbit), IR Remote, RS232C		
	Data	USB 2.0 x6		
	Output Terminals			
	Digital			
	Analog	None		
	Audio	Audio Mini-Jack, SPDIF (Optical)		
	External Control	LAN		
	Touch	Anti-glare protective glass, 10pt writing/ 20pt use IR touch, Windows 7/8/8.1/10, Android, Mac OS X, Ubuntu, Chrome		
	POWER CONSUMPTION	On (Typ/Max Brightness/ Overall Max)	160W	210W
Network Standby		2W		
Normal Standby		0.5W		
Current Rating		4.0A@100V, 1.6A@240V	4.3A@100V, 1.8A@240V	6.2A@100V, 2.5A@240V
Speaker Rating		Integrated 12W + 12W		
PHYSICAL SPECIFICATIONS	Bezel Width (L/R, T/B)	0.71/0.71in, 0.71,1.77in		
	Net Dimensions (Without stand; W x H x D)	58.6 x 35.31 x 3.44in / 1488.4 x 896.9 x 87.4mm	67.3 x 40.16 x 3.42in / 1709.4 x 1020 x 86.9mm	77.05 x 45.66 x 3.42in / 1957 x 1159.8 x 86.9mm
	Net Weight (Without Stand)	86.3lb / 39.1kg	115.9lb / 52.6kg	148.4lb / 67.3kg
	VESA Hole Configuration	600x400 M8x4	800x400 M8x4	800x600 M8x4
ENVIRONMENTAL CONDITIONS	Operating Temperature	0 to 40C (32 to 104F)		
	Operating Humidity	10-90%		
	Operating Altitude	5000m(16404ft)		
LIMITED WARRANTY	3 years			
ADDITIONAL FEATURES	Mosaic Canvas whiteboard software, Mosaic Connect wireless presentation software, Ethernet Control and Communication, RS-232 Control and Communication, OPS Expansion Slot, Fixed/Variable Audio Out, Built-In Speakers, LED Backlighting		Anti-Glare protective glass w/ IR touch, touch support 10pt writing/20pt use, Built in SoC including Internet browser and Mosaic Canvas/Connect collaborative software	
SHIPS WITH	Power Cord, HDMI cable, 2 passive pens, Wireless Remote Control, AAA Batteries, Setup Manual, Wall mount		3m AC Power Cord, 1.8m HDMI cable, IR Remote Control, Batteries, 3 passive pens, Flat slim style wall mount	
OPTIONAL ACCESSORIES	OPS-AI7W-IS, OPS-AI5W-IS, OPS-AI3W-IS, OPS-APIS-PS, NP05LM1 adds wireless Internet connectivity, SMK-6586 mobile cart with motorized height adjust			



The terms HDMI and HDMI High-Definition Multimedia Interface, and the HDMI Logo are trademarks or registered trademarks of HDMI Licensing LLC in the United States and other countries. DisplayPort and DisplayPort Compliance Logo are trademarks owned by the Video Electronics Standards Association in the United States and other countries. HDBase™ and the HDBase Alliance logo are trademarks of the HDBase Alliance. CRESTRON and CRESTRON ROOMVIEW are trademarks or registered trademarks of Crestron Electronics, Inc. AMX is a trademark or registered trademark of AMX in the United States and other countries. VESA is a trademark of a nonprofit organization, Video Electronics Standard Association. All other trademarks are the property of their respective owners. The images in this brochure are samples. All specifications are subject to change without notice.

©2021 Sharp NEC Display Solutions of America, Inc. | All rights reserved.

Cat.No. 25.NEC.80.GL.UN. | rev. 08.19.2021