



NEC Large-Screen Displays Raspberry Pi Compute Module Setup Guide

Revision: 190405

Introduction

This document describes the features, installation, connectivity, and configuration of the Raspberry Pi Compute Module support in NEC Large-Screen display models. Please see “Requirements” on page 9 for a current list of supported displays and Raspberry Pi hardware.

Notes:

1. The acts of disclosure, duplication, and modification of part or whole contents in this reference manual without permission are prohibited.
2. The contents of this reference manual are subject to change without notice.
3. Great care has been taken in the preparation of this reference manual; however, should you notice any questionable points, errors or omissions, please contact us.

Copyright and Trademarks

Copyright © 2019 NEC Display Solutions, Ltd.

The content of this manual is furnished for informational use only, is subject to change without notice, and should not be construed as a commitment by NEC Display Solutions, Ltd. NEC Display Solutions, Ltd. assumes no responsibility or liability for any errors or inaccuracies that may appear in this manual.

Windows® is a registered trademark of Microsoft Corporation.

NEC is a registered trademark of NEC Corporation.

Linux® is the registered trademark of Linus Torvalds in the U.S. and other countries.

Raspberry Pi is a trademark of the Raspberry Pi Foundation.

Ubuntu is a registered trademark of Canonical Ltd.

Contents

Introduction.....	2
Contents	3
Revision History.....	6
Basic Features	7
GPIO Summary.....	9
Requirements	9
Operating System Programming Procedure.....	9
1 Basic Setup and Configuration Steps.....	11
2 Installing the Compute Module and NEC Compute Module Interface Board to the Display	12
3 Connections and Internal Operation.....	15
3.1 USB device connections to the Compute Module	15
3.2 USB connections for programming the Compute Module	16
3.3 LAN connections	17
3.4 Software control via IR Remote	18
4 Preparation	22
5 Operating System Summary	23
6 Preparing and Running the Tools to Make the Compute Module Appear as a Mass Storage Device	26
6.1 Using a Windows PC as a host	26
6.2 Using a Raspberry Pi 1, 2, or 3 as a host	29
7 Using the Yodeck bootloader to overwrite the current OS	33
8 Miscellaneous Configuration Items	34
8.1 Configuring the correct HDMI video level encoding and decoding.....	34
8.2 To disable overscan (if black bars are visible on the sides of the screen)	35
8.3 To rotate the screen image to portrait orientation	36
8.4 To enable support for the IR Remote receiver using “lirc”	36
8.5 To test support for the IR Receiver by outputting raw data.....	37
8.6 Enabling the serial port (UART) to the display and allowing application access	38
8.7 Testing internal serial communications to the display using the Python based NEC PD SDK	39
8.8 Configuring the Compute Module to shutdown using shutdown signal from the display.....	40

8.9	Creating an image of the Compute Module to backup or clone	41
8.10	Reading and setting the display's internal Real Time Clock (RTC) from the OS	41
8.11	Using the display's Watchdog Timer (WDT)	41
8.12	Controlling the Compute Module cooling fan	43
8.13	Controlling the Compute Module power.....	43
8.14	Checking and updating the display firmware version.....	43
9	Related OSD Settings	45
9.1	Compute Module menu → Power → Power Supply	45
9.2	Compute Module menu → Power → Auto Power On	45
9.3	Compute Module menu → Service Menu → Setting Lock.....	45
9.4	Compute Module menu → Service Menu → USB Boot Mode.....	46
9.5	Compute Module menu → Service Menu → IR Signal.....	46
9.6	Compute Module menu → Service Menu → Monitor Control	46
9.7	Compute Module menu → Service Menu → Shutdown Signal	47
9.8	Compute Module menu → Service Menu → Shutdown Signal → Power Supply Off Delay.....	47
9.9	Compute Module menu → Service Menu → WDT	47
9.10	Compute Module menu → Service Menu → WDT → Start Up Time	48
9.11	Compute Module menu → Service Menu → WDT → Period Time	48
9.12	Control menu → USB → External Control.....	49
9.13	Control menu → USB → PC Source.....	49
9.14	Control menu → USB → USB Power	51
9.15	Control menu → CEC → CEC	52
9.16	Control menu → CEC → Search Device	52
9.17	Expert menu → Compute Module → CM Fan Power	53
9.18	Expert menu → Compute Module → CM Auto Shutdown	53
10	Useful Information and Commands	55
10.1.1	To find out the IP address of the Compute Module from a terminal window	55
10.1.2	To restart from a terminal window.....	55
10.1.3	To shutdown from a terminal window	55
10.1.4	To run the Raspberry Pi Config utility from a terminal window	55
10.1.5	To change the keyboard layout to US from a terminal window.....	55
10.1.6	To add and remove packages from Raspbian.....	56

10.1.7	To update the Raspberry Pi.....	56
10.1.8	To install the Python serial module	57
10.1.9	To mount a USB flash drive from the terminal	57
10.1.10	To access an SMB (Windows share) drive from the Raspbian desktop	57
10.1.11	To list connected USB devices.....	57
10.1.12	To show available disk space	57
10.1.13	To show internal information about the Raspberry Pi	58
10.1.14	To download a file to the current directory.....	58
10.1.15	To find a file by name.....	58
10.1.16	To edit a protected system configuration file from the Raspbian desktop	58
10.1.17	To install a minimal windowing system on Jessie Lite	58
10.1.18	To prevent the screen saver from blanking the screen after several minutes.....	59
10.1.19	To enable IR Remote control using CEC from OSMC	59
10.1.20	To enable IR Remote control using lirc from OSMC	59
10.1.21	Monitoring the system processes, CPU usage, and memory	59
10.1.22	To enable and disable video output from the Compute Module to the display	60
11	Troubleshooting.....	61
12	Codec Licenses.....	64
13	Python Based NEC PD SDK	65
14	Compute Module Configuration Tool for Raspbian	67
15	External reference information.....	69
16	Frequently Asked Questions.....	70
17	Known Issues	73
18	Support.....	74

Revision History

Revision	Date	Modified by	Description
170327	March 27, 2017	Will Hollingworth	First public release
170410	April 10, 2017	Rebecca Holz	OSD screens inserted in chapters 6, 7, 8 Update Requirements Add Wi-Fi FAQ
170606	June 06, 2017	Will Hollingworth	Added to FAQs, Troubleshooting, and Support sections Added hyperlinks to OS distros in chapter 5 Add illustrations from final product guide
170810	August 10, 2017	Will Hollingworth	Added to FAQs and Troubleshooting sections Updated OS distros Added chapter on Configuration Tool for Raspbian Added etcher.io as alternate flash tool.
171129	November 29, 2017	Will Hollingworth	Updated download location of the Windows Compute Module boot installer.
180222	February 22, 2018	Will Hollingworth	Added CM Fan Power and CM Auto Shutdown controls. Added FAQ about reading IP and MAC of the display.
180701	July 1, 2018	Will Hollingworth	Added new display models. Minor corrections and updates.
180829	August 29, 2018	Rebecca Holz	Fix typo in product model number
190405	April 5, 2019	Will Hollingworth	Added new display models, Yodeck bootloader, CM3+, FAQs.

Basic Features

- Operating System support
 - Select from many publicly available OS distributions and images depending on the application, such as: fully featured and ready to use networked media players, kiosk interfaces, full desktop based operating systems, and minimal systems.
- Internal LAN switch
 - The Raspberry Pi Compute Module features LAN connectivity via the display's internal LAN switch. It is a separate LAN device from the internal media player and the display's LAN control interface. The Compute Module will have its own IP address and network settings. Two of the switch ports are available externally for daisy-chaining other devices.
 - LAN1 port should be used to connect to the network. The LAN2 output can be used to connect other LAN devices or displays.
- USB hub with up to 3 ports for connecting devices
 - USB devices, such as keyboards, mice, and Wi-Fi adapters, can be connected without the need for an external USB hub.
 - Use the USB CM1 and CM2 connectors for devices dedicated to the Compute Module. The CM1 connector is capable of supplying up to 2A of power.
 - The USB1 connector can be configured for connecting an additional USB device to the Compute Module, an optional internal PC (OPS), or an external PC. This can be set to switch automatically, depending on the currently selected video input, or fixed to a specific source.
- Internal IR remote receiver and pass through to the Raspberry Pi Compute Module
 - The display's IR Remote Control can be used to operate software running on the Raspberry Pi Compute Module, such as a media player, via standard IR Remote Control units. The Remote Control communicates to the Compute Module via the display's internal Remote Control sensor or external KT-RC2 sensor. It will be necessary to configure such software with the IR codes for the remote control units being used.
 - This uses GPIO 18 on the Raspberry Pi.
- CEC support between the display and the Raspberry Pi Compute Module
 - Facilitates the use of the display's IR Remote buttons to control the basic navigation functions of compatible software, such as media players.
- Internal serial connection between the display and the Raspberry Pi Compute Module
 - Allows full control and monitoring of the display from the Compute Module.
 - This uses GPIO 14 & 15 (UART0) on the Raspberry Pi Compute Module.
 - A Python based SDK is available from NEC for easy software development. See Python Based NEC PD SDK on page 65.
- Real Time Clock support via the display's internal clock
 - The display's internal Real Time Clock can be read and set via the Compute Module, using the internal serial connection and the Python based SDK.
 - This can be used to set the system time when no network connection is available.

- Shutdown signal support
 - The display can signal to the Operating System, running on the Raspberry Pi Compute Module, that the power is about to turn off so the software and OS can shutdown gracefully.
 - This uses GPIO 23 on the Raspberry Pi Compute Module.
- Full power control
 - Power for the Compute Module can be configured to automatically turn on when the display is turned on from a standby mode, or it can be turned on separately via the display's OSD, HTTP interface, or network commands.
 - By default, the Compute Module will remain powered on even when the display goes into standby mode and can be turned off separately via the display's OSD, HTTP interface, or network commands.
The display can be configured to turn off the Compute Module power with the display power.¹
 - By default, the fan on the NEC Compute Module Interface board will remain on whenever the Compute Module is powered.
The fan operation can be controlled via the OSD or commands from the Compute Module.¹
- Watchdog timer support
 - Can be used to reset a locked CPU by automatically restarting the Compute Module. A restart will occur if no periodic reset signal is received from the Compute Module within a certain time period.
- Hardware codec support licenses
 - The Raspberry Pi Compute Module 3 NEC edition includes hardware codec licenses for MPEG-2, MPEG-4, and VC-1.
- Built in touch-screen support
 - For display models with integrated touch-screens, the USB touch device will appear as a standard USB HID (Human Interface Device) device to the Compute Module.

¹ These models require display firmware version R1.7 or later for this feature: P404, P484, P554, V404, V484, V554, V404-T, V484-T, V554-T

GPIO Summary

- GPIO 14 & 15 (UART0 TX & RX) – internal serial connection to the display
- GPIO 18 – demodulated IR receiver from the display
- GPIO 23 – shutdown signal (goes low to signal shutdown)

Requirements

- Compatible NEC display
 - C651Q
 - C751Q
 - C861Q
 - C981Q
 - P404
 - P484
 - P554
 - P654Q
 - P754Q
 - V404
 - V404-T
 - V484
 - V484-T
 - V554
 - V554-T
 - V554Q
 - V654Q
 - V754Q
 - V864Q
 - V984Q
 - UN462A
 - UN462VA
 - UN492S
 - UN492VS
 - UN552
 - UN552A
 - UN552S
 - UN552V
 - UN552VS
 - UX552
 - UX552S
- NEC Compute Module Interface board
 - DS1-IF10CE
- Raspberry Pi Compute Module
 - CM3 16 GB NEC Edition – (RPi3CM16G)
 - CM1 or CM3 4 GB from RaspberryPi
 - CM3+ 8, 16, or 32 GB versions from RaspberryPi
- Internet connection
- LAN hub and cables
- Standard USB 2.0 cable
- Host PC running either Windows or Ubuntu, or a standard Raspberry Pi 1 / 2 / 3 running Raspbian OS
- USB keyboard and mouse for connecting to the display (recommended)
- Operating system .img file
- Software configuration tools (see following sections)

Operating System Programming Procedure

The custom 16GB Raspberry Pi Compute Module 3 NEC Edition is pre-programmed with the Raspbian full Operating System and will boot without needing to be programmed; standard Compute Modules from Raspberry Pi aren't programmed with an Operating System by default.

On newer releases of the NEC Edition Compute Module, a special bootloader is included on the system image, which can be used to replace the OS with an image file stored on a USB storage device. Look for the orange Yodeck logo during boot to see if this is included. See “Using the Yodeck bootloader to overwrite the current OS” on page 33 for more information.

The OS can be installed after placing the display in the special “USB Boot Mode” function. This allows the Compute Module to appear as a USB device to another “host” PC or Raspberry Pi. The Operating System is then imaged, or “flashed”, from the host to the Compute Module over USB. After the OS is imaged successfully, any necessary configuration options can be made and the Compute Module can be restarted in normal boot mode.

The “host” can be a PC running Windows® or Linux®, or a standard Raspberry Pi 1, 2, or 3 with Raspbian OS. If using a Linux based PC or Raspberry Pi as a host, a small utility will need to be downloaded and compiled on the host.

Important: The Compute Module will not display video until it has been programmed with a compatible Operating System. No boot or POST screen is shown unless a valid OS is installed.

1 Basic Setup and Configuration Steps

The following list shows the basic steps that will be performed:

1. Physically install the Raspberry Pi Compute Module and NEC Compute Module Interface board into the display.
2. Connect the host PC to the display via USB for programming the module. Connect other USB devices, such as a keyboard and mouse, for configuration and use.

Note: If the Compute Module is to be programmed with a new OS, follow these steps after connecting any USB devices:

1. Select and download the OS to install on the Compute Module as well as any other software tools.
2. Prepare and run the tools to make the Compute Module appear as a Mass Storage device on the host system so the OS can be imaged.
3. Image the OS from the host system to the Compute Module.
4. Configure any boot options.
5. Restart the Compute Module.
6. Configure other boot options.
7. Check for any system and firmware updates. See section 9.1.7.

2 Installing the Compute Module and NEC Compute Module Interface Board to the Display

1. Disconnect AC power from the display.
2. Insert the Raspberry Pi Compute Module into the NEC Compute Module Interface board (1), make sure it is correctly seated and then press down on the compute module to lock it into the board (2).

Caution: Take static precaution measures when handling the boards.

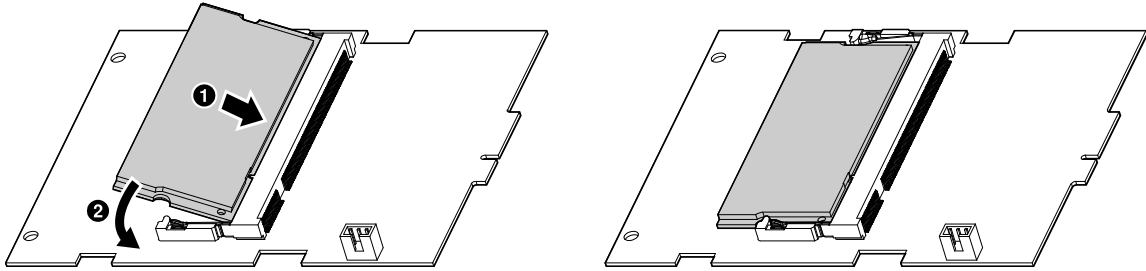


Figure 3.1-1: Install the Raspberry Pi Compute Module

3. Attach the fan assembly to the edges of the NEC Compute Module Interface board, and then connect the fan power to the socket on the board.

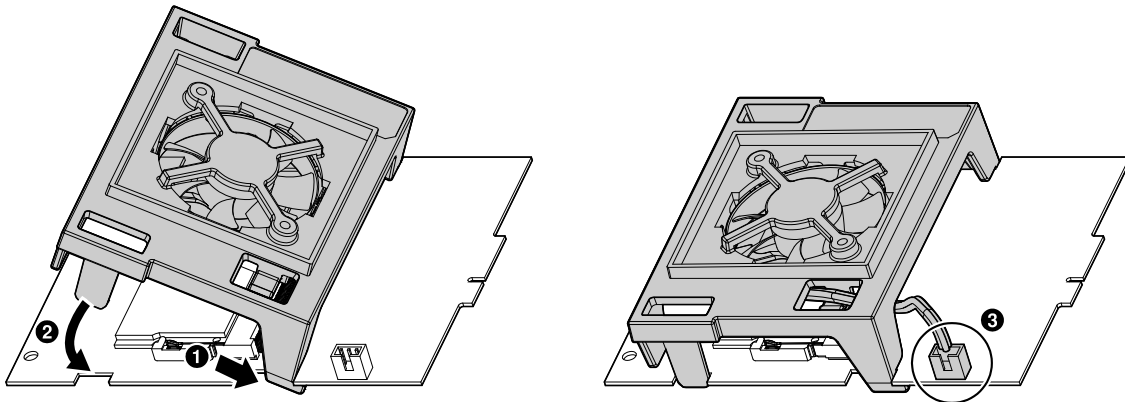


Figure 3.1-2: Attach the Fan Assembly

4. On the back of the display, unscrew the two screws on the interface board access cover and remove the cover.

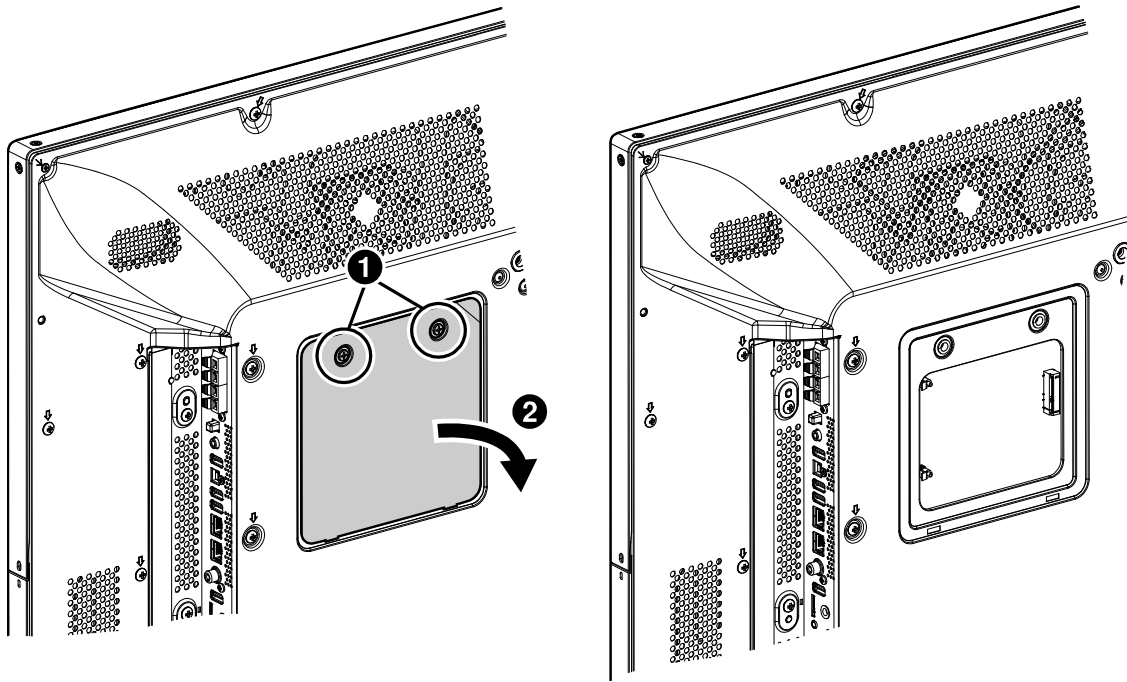


Figure 3.1-3: Remove the Interface Board Access Cover

5. Insert the edge connector on the interface board into the socket in the display and snap the board into place with the two standoffs. Make sure the interface board is correctly seated.

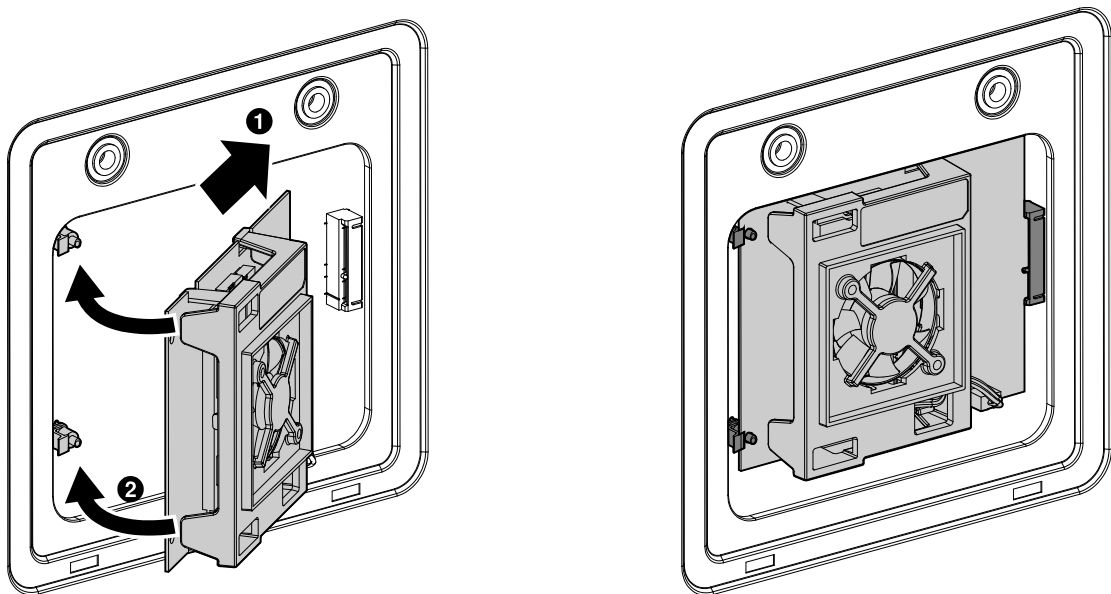


Figure 3.1-4: Insert the Compute Module Interface Board

6. Place the vented access cover, included with the Compute Module interface board, on the back of the display and tighten the two screws.

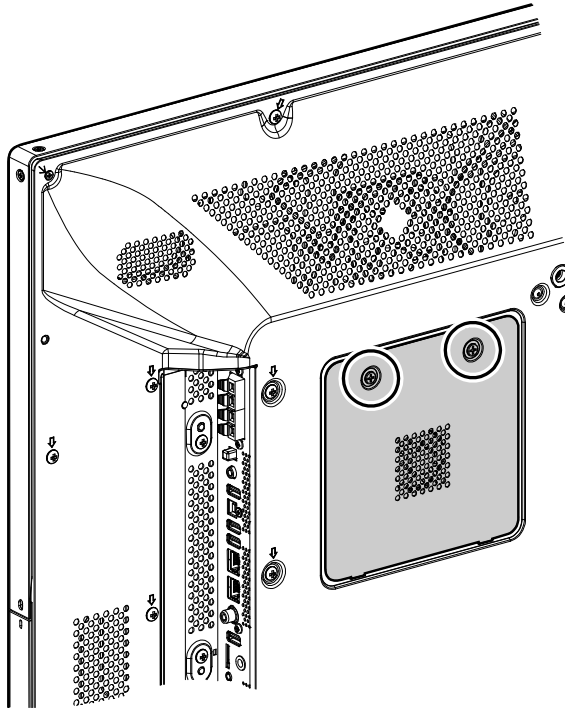


Figure 3.1-5: Place the Vented Access Cover

7. Reconnect AC power to the display.

3 Connections and Internal Operation

3.1 USB device connections to the Compute Module

The inputs USB CM1 and USB CM2 on the display are for connecting downstream USB devices, such as a keyboard and mouse, additional storage, or a Wi-Fi adapter, to the Compute Module. The CM1 input is capable of supplying higher powered devices with up to 2A of current. The CM2 input can supply 500 mA.

Power for the USB CM1 input can be configured via the display's OSD to always be on, even when the display is in standby mode, or to only supply power if the Compute Module is installed.

The input connection USB1 can be switched between the Compute Module, Internal PC (OPS), and an external PC connected to the USB2 connection. It can be configured via the display's OSD "PC SOURCE" setting to switch automatically depending on the currently selected video input, or fixed to a specific source. This allows devices such as a mouse or other input device to be shared automatically between different sources.

For display models with an integrated touch-screen, the internal USB connection from the touch sensor will also follow the "PC SOURCE" setting so that as video inputs on the display are changed, the touch-screen connection will automatically switch to the correct source device.

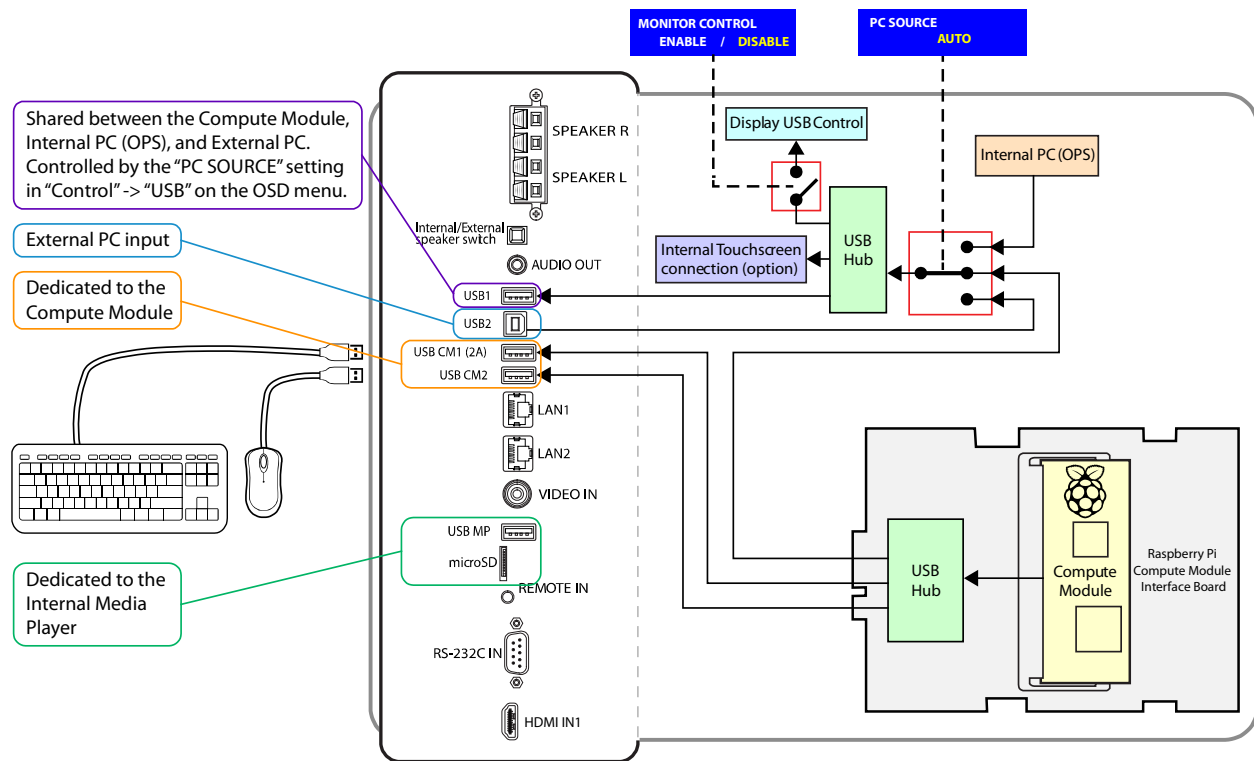


Figure 3.1-1: USB Device Connection

3.2 USB connections for programming the Compute Module

To program the Compute Module, an external “host” PC is connected to the USB2 output and the display is placed into the special “USB Boot Mode” using the OSD. The Compute Module will then appear as a USB device to the “host” PC, allowing the Compute Module to be programmed.

When not used for programming the Compute Module, the USB2 output on the display can be used to control the display via USB from an external PC; depending on the **PC SOURCE** setting in the **Control** → **USB** function on the display’s OSD menu. See Related OSD on page 45.

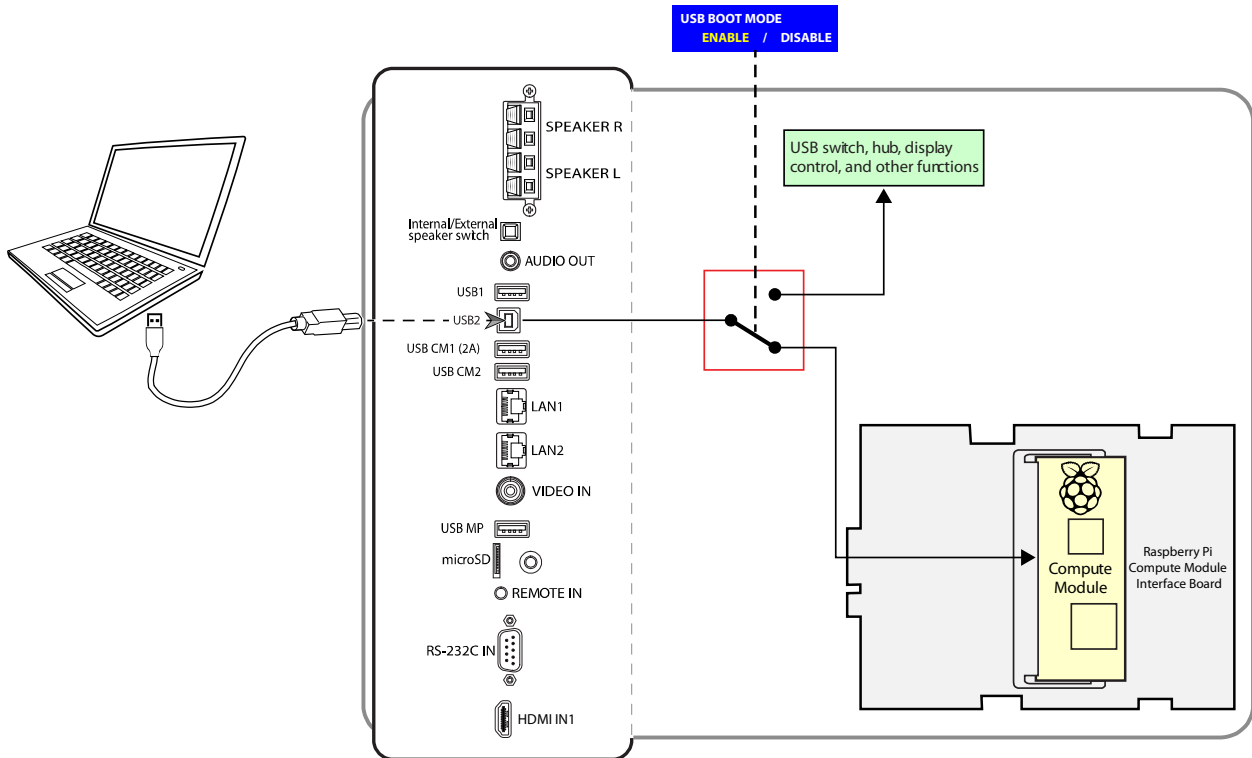


Figure 3.2-1: Host USB Connection for Programming

3.3 LAN connections

The display has an internal 5 device LAN switch that connects the internal Display LAN Control system (including internal web server), internal Media Player, Raspberry Pi Compute Module, and the two external LAN connections for connecting to a network and other LAN devices.

- The IP addresses of the Display LAN Control can be configured via the display's OSD and internal web page.
- The IP address of the internal Media Player can be configured via the internal web page.
- The IP address and network settings of the Compute Module are configured within the OS running on it.

Note

The LAN2 connection should be used for connecting to other displays that are daisy-chained or to other LAN devices. Functions such as AUTO ID and AUTO IP will not work correctly if displays are not daisy-chained correctly using the LAN1 and LAN2 connections.

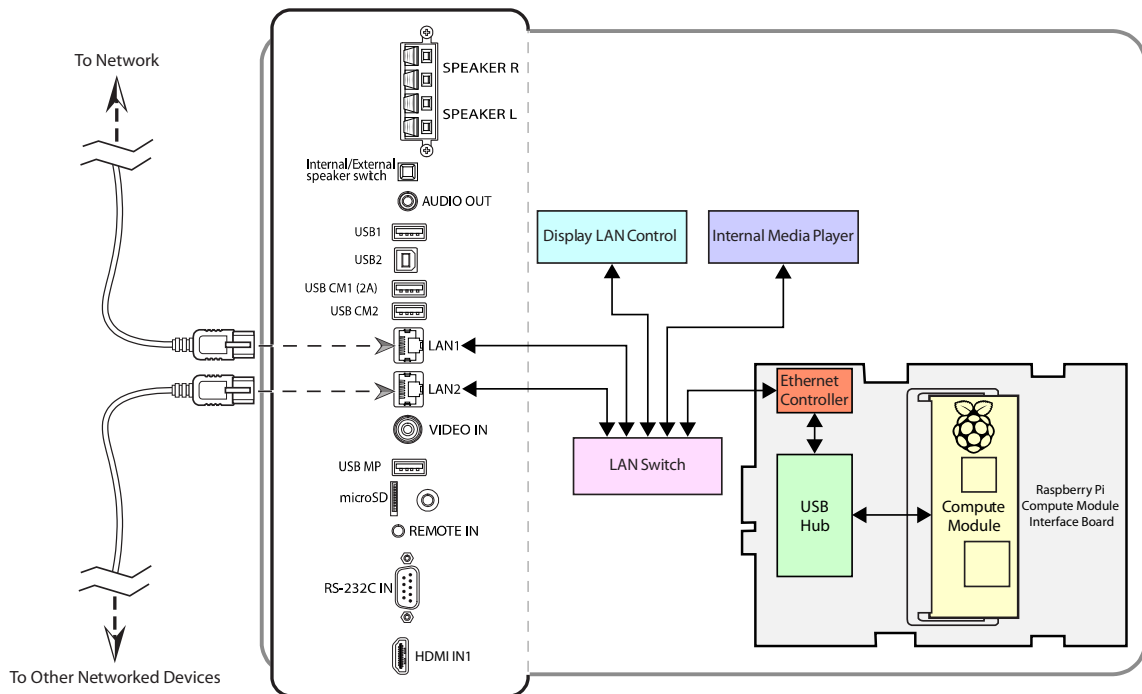


Figure 3.3-1: LAN Connections

3.4 Software control via IR Remote

An IR Remote can be used to control software running on the Compute Module, such as a media player. IR Remote control signals are received via the display's built-in IR remote sensor or via an optional external KT-RC2 sensor.

This feature can be used in two ways:

- **As a CEC (Consumer Electronics Control) device**

Specific buttons on the NEC IR Remote will perform actions, such as Stop, Play, Next, Previous, etc., on CEC enabled software on the Compute Module. The display is responsible for receiving and decoding the IR Remote signals, and then forwarding them on to the Compute Module as standard CEC commands.

Only the NEC IR Remote can be used and CEC support must be enabled on the display and in the Operating System on the Compute Module. See Figure 3.4-3: Supported CEC buttons on the NEC IR Remote.

The buttons used for CEC commands are dual-function on the NEC IR Remote. When the display's OSD is active (being displayed) the buttons will perform display related functions. When the OSD is not active the buttons will perform CEC functions. Press the EXIT button on the IR Remote to exit and deactivate the OSD.

See sections 8.15 and 8.16 for more information.

- **As a generic IR receiver**

Demodulated raw IR signals received by the IR remote sensor are passed to the Raspberry Pi Compute Module via GPIO 18. Packages such as *lirc* can be used to decode the raw IR signals.

IR Remotes other than the NEC IR Remote, such as a standard MCE/RC6 type, can be used as long as they use a 40 KHz carrier. See sections 7.4 , 7.5 , and 8.5 for more information.

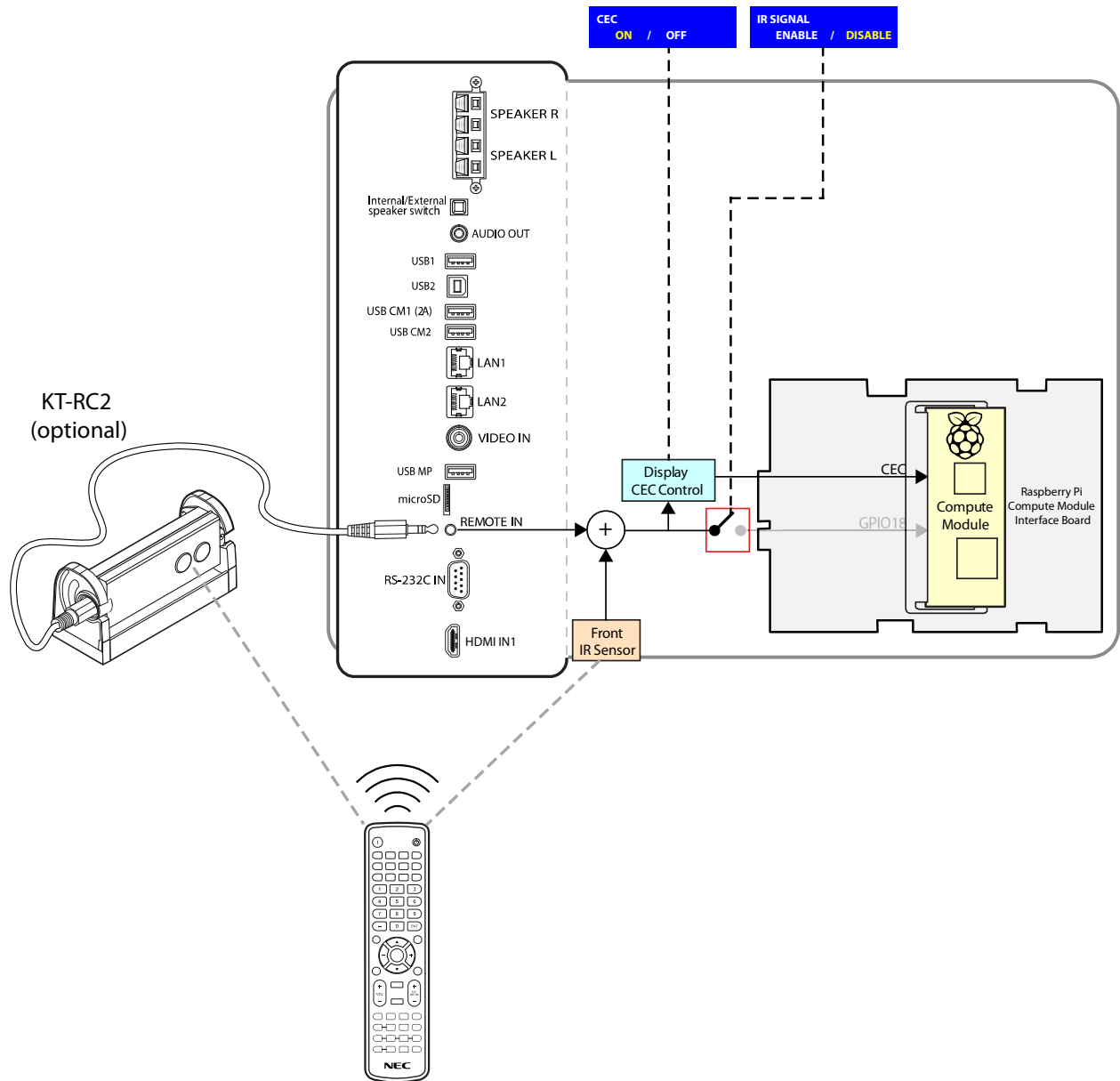


Figure 3.4-1: Using the NEC IR Remote with CEC

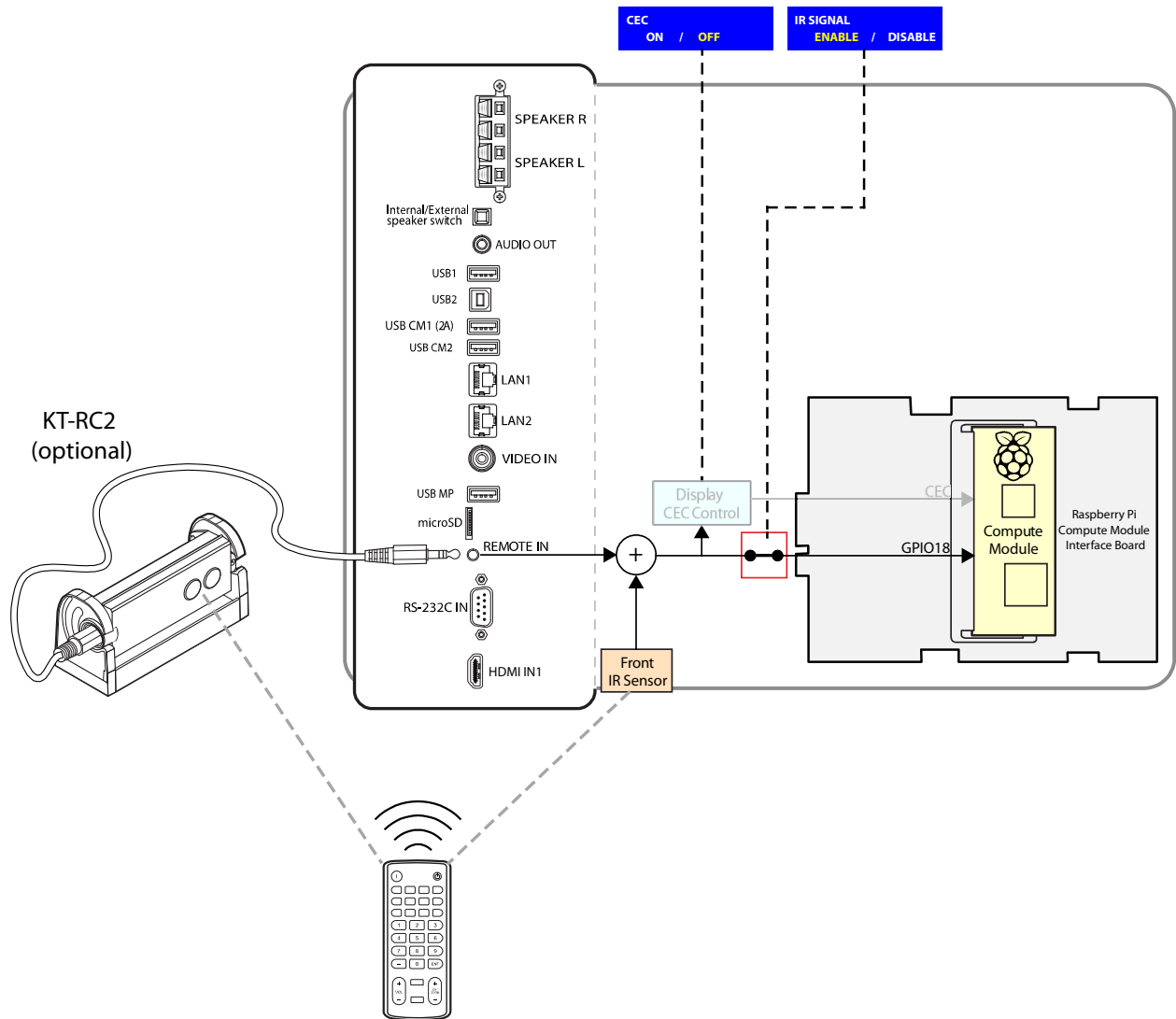


Figure 3.4-2: Using other IR Remotes with raw IR signals

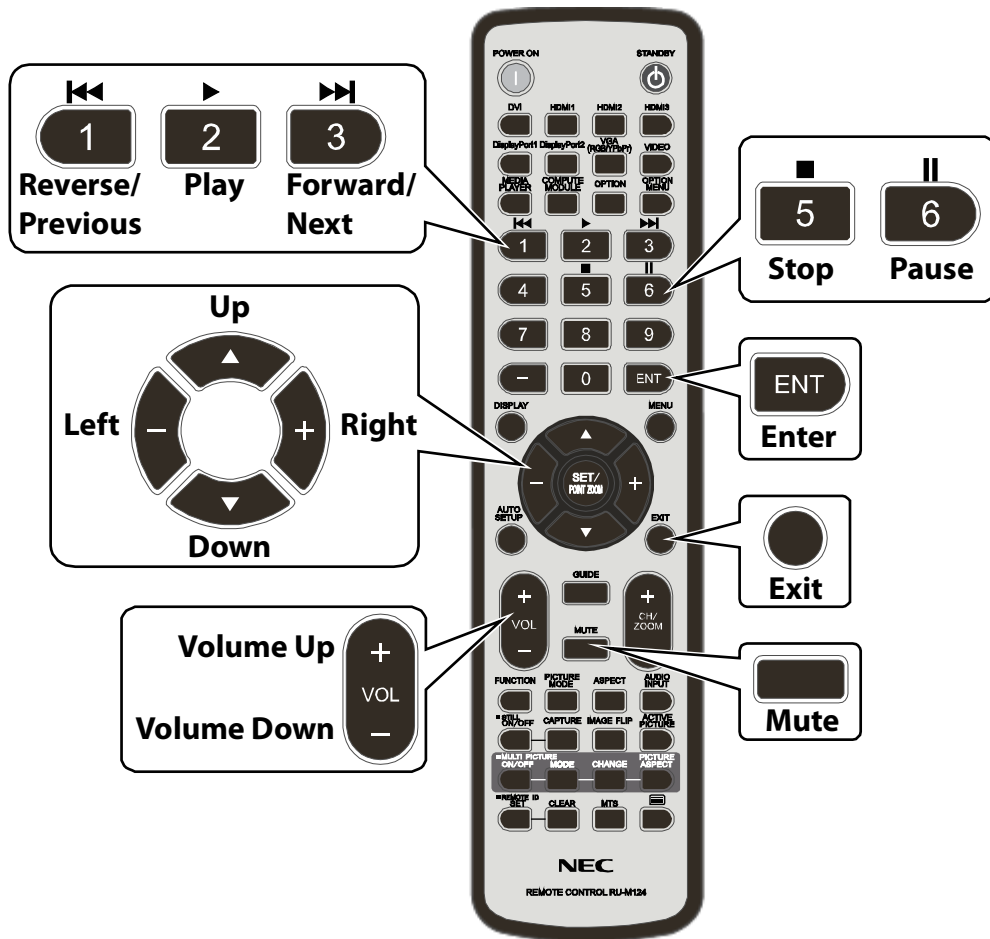


Figure 3.4-3: Supported CEC buttons on the NEC IR Remote

Note: The Volume Up, Down and Mute buttons will control audio on the display rather than on any media player software running on the Compute Module. These buttons will only operate in CEC mode if a CEC compatible audio amp/receiver is used.

4 Preparation

Note: The following steps can be skipped if the Yodeck bootloader is installed on the system. The Yodeck bootloader can be used to automatically overwrite the current OS image with an OS image from a connected USB storage device. See “Using the Yodeck bootloader to overwrite the current OS” on page 33 for more information.

1. Connect a USB keyboard and mouse to the USB CM1 and USB CM2 connections on the display. These are the two connections above the LAN1 connection on the side of the display.
2. Connect the “B” type connector of a USB cable to the USB2 connection on the display. This is located above the USB CM1 connection on the side of the display. Connect the other end of the USB cable to a standard USB port on the host PC or host Raspberry Pi.
3. [Optional depending if updates and downloads will be performed] Connect the host PC or Raspberry Pi to a hub or router with an Internet connection using a standard LAN cable or using Wi-Fi.
4. On the host PC or the host Raspberry Pi, download the OS that is to be installed on the Raspberry Pi Compute Module. Make sure there is enough storage space to hold the OS image file and other tools.

Refer to the following section and the Raspberry Pi website for a list of supported OSs:

<https://www.raspberrypi.org/downloads/>

If using a Windows based host PC:

1. Download either the **Etcher** (recommended) or **Win32DiskImager** tool from the following locations. This will be used to write the OS .img file to the Compute Module:
<https://etcher.io/>
<https://sourceforge.net/projects/win32diskimager/>
2. Download and install the Compute Module boot installer from the following location:
https://github.com/raspberrypi/usbboot/raw/master/win32/rpiboot_setup.exe
3. A text editor that is compatible with UNIX type line endings, such as Notepad++, is highly recommended for making boot configuration file changes from Windows. Notepad++ is available from:
<https://notepad-plus-plus.org/>
4. A file extractor application capable of handling .gz file types, such as 7-Zip, WinZIP, or WinRAR.

5 Operating System Summary

The following table summarizes the main Operating Systems available, as well as the main configuration options that can be set.

Table 5-1: Operating System Distro

	Operating System Distro							
	Raspbian Jessie	Raspbian Jessie Lite	LibreELEC	OSMC	Ubuntu MATE	Snappy Ubuntu Core	Windows 10 IOT Core	NOOBS
Compatible with Compute Module 1	No [†]	Yes	Yes. Use RPi 1/ RPi Zero version	Yes. Use RPi 1/ RPi Zero version	No (requires RPi 2 or 3)	No	No	No
Compatible with standard 4GB Compute Module 3	No [†]	Yes	7.0.3 RPi 2/3 = No. 7.90.010 and 8.0.0 RPi 2/3 = Yes.	Yes. Use RPi 2/3 version	No ^{\$\$\$}	Yes	No	No
Compatible with Raspberry Pi Compute Module 3 NEC edition	Yes	Yes	7.0.3 RPi 2/3 = No. 7.90.010 and 8.0.0 RPi 2/3 = Yes.	Yes. Use RPi 2/3 version	No ^{\$\$\$}	Yes	No	No
Needs HDMI pixel encoding changed	Yes [‡]	Yes [‡]	Yes [‡]	Yes				
Needs HDMI overscan setting change	Yes ^{††}	Yes ^{††}	No	No				
Includes lirc IR Remote support	Yes ^l	Yes ^l	Yes [§]	Yes ^{†††}				
Serial port name	CM3: ttyS0	CM1: ttyAMA0 CM3: ttyS0	CM1: ttyAMA0 CM3: [TBC]	CM1: [TBC] CM3: [TBC]				
Needs serial port configuration	Yes ^{‡‡}	Yes ^{§§}		Yes [TBC]				
Python serial module	Included	‡	Not included	‡				
Default username / password	pi / raspberry	pi / raspberry	root / libreelec	osmc / osmc	ubuntu / ubuntu			
Confirmed with version	November 2016	November 2016	7.0.3, 7.90.010 and 8.0.0	2016.12-1	16.04.01 LTS			2.1.0
Alternate tool for loading .img to Compute Module			“LibreELEC USB-SD Creator”					

Note: Many of the options for the Raspbian OS can be automatically configured using the Compute Module Configuration Tool for Raspbian see “Compute Module Configuration Tool for Raspbian” on page 67.

Note: On Raspbian based OSs the `config.txt` and `cmdline.txt` files are located in the `/boot` folder of the mounted OS.

† The onboard flash eMMC storage, for the Raspberry Pi Compute Module 1, is 4GB and is not large enough for the full version of the Raspbian Operating System. The “Lite” version can be installed but will only provide a command shell interface by default. See chapter 9 for an example of how to install a minimal windowing system on Jessie Lite that is less than 4GB in size.

‡ Edit the file `config.txt` to add the line “`hdmi_pixel_encoding=2`”

§ Edit the file `config.txt` to add the line “`dtoverlay=lirc-rpi`” to enable IR support. Standard MCE type IR is supported by default.

¶ Edit the file `config.txt` to remove the “#” at the start of the line “`#dtoverlay=lirc-rpi`” to enable IR support.

†† Edit the file `config.txt` to remove the “#” at the start of the line “`#disable_overscan=1`” to prevent black borders.

‡‡ Install the Python Serial module by entering the following from the terminal:

```
sudo apt-get install python-serial
```

§§ Edit the file `config.txt` to add, or modify, so that a line with “`enable_uart=1`” is in the file. Edit the file `cmdline.txt` to remove the following text “`console=serial0,115200`” if present.

¶¶ On the “My OSMC” menu, select “Pi Config” and in the “Display” section change the “`hdmi_pixel_encoding`” setting to “RGB full”.

††† Edit the file `config.txt` to add the line “`dtoverlay=lirc-rpi`” to enable IR support. On the “My OSMC” menu, select “Remote” and select “`rc6-mce-lircd`” type remote for a standard MCE type IR remote.

‡‡‡ Modify the file `config.txt` to include the following lines:

```
enable_uart=1

dtoverlay=uart1

core_freq=250
```

Edit the file `cmdline.txt` to remove the following text “`console=serial0,115200`” if present.

§§§ Device Tree file for Compute Module 3 (`bcm2710-rpi-cm3.dtb`) not yet added to image.

Note

If there are different system build images available for various versions of Raspberry Pi, such as with LibreELEC and OSMC, be sure to select the correct build version for the version of the Raspberry Pi Compute Module being used.

For example, if downloading LibreELEC for use with a Compute Module:

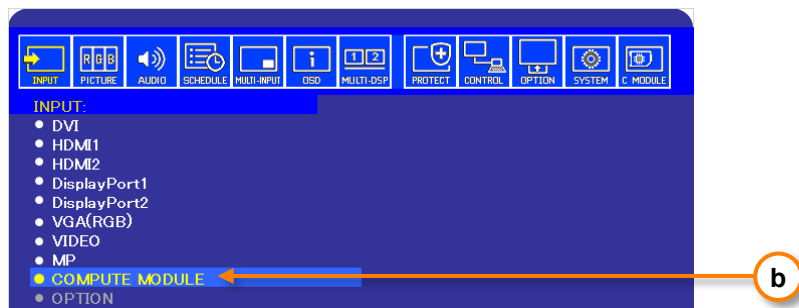
- If using the Compute Module 1 then select the “RPi and Pi Zero (Combined) Build”.
- If using the Compute Module 3 then select the “RPi2 and RPi3 (Combined) Build”.

6 Preparing and Running the Tools to Make the Compute Module Appear as a Mass Storage Device

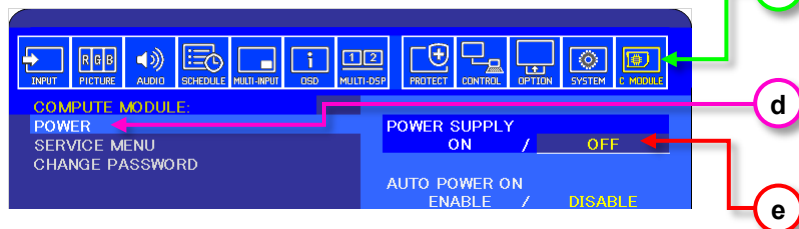
Follow the steps in the appropriate section below depending on the type of host system being used.

6.1 Using a Windows PC as a host

1. Download and install either the **Etcher** (recommended) or **Win32DiskImager** tool from the following locations. This will be used to write the OS .img file to the Compute Module:
<https://etcher.io/>
<https://sourceforge.net/projects/win32diskimager/>
2. Download and install the Compute Module boot installer. This will install Windows drivers for accessing the Compute Module.
https://github.com/raspberrypi/usbboot/raw/master/win32/rpiboot_setup.exe
3. Power up the Compute Module in USB boot mode:
 - a. Make sure the USB cable is directly connected between the host PC and the display. **Do not use a USB extender cable or hub between the host PC and the display. Use as short a USB cable as possible.**
 - b. On the NEC display select the **COMPUTE MODULE** video input.

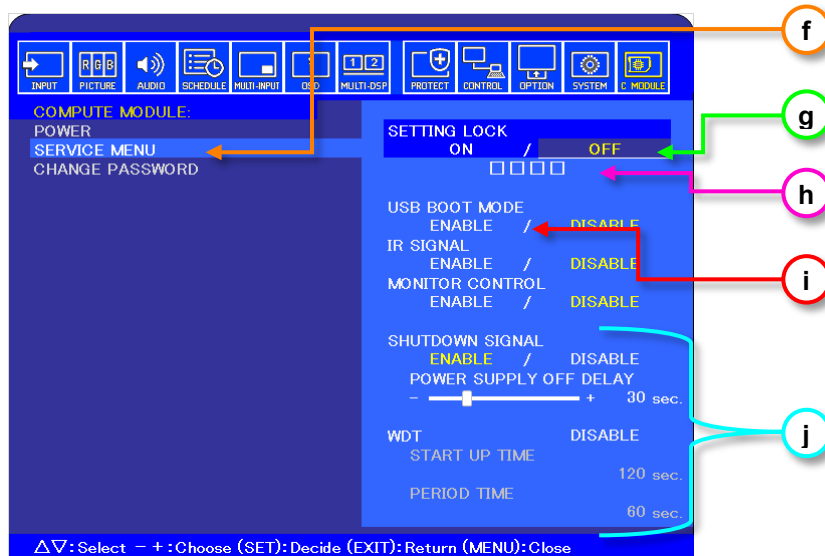


- c. Navigate to the **COMPUTE MODULE** menu on the OSD.

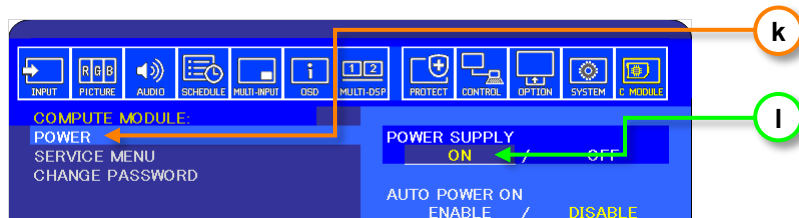


- d. Select **POWER**.
- e. If **POWER SUPPLY** is currently **ON** then change it to **OFF** and confirm.

- f. Select **SERVICE MENU**.



- g. Select **SETTING LOCK** and then select **OFF**.
- h. Enter the passcode. The default is **0 0 0 0**.
- i. Select **USB BOOT MODE** and then select **ENABLE**.
- j. It is also recommended setting **SHUTDOWN SIGNAL** to **DISABLE** and **WDT** to **DISABLE** during programming.
- k. Exit two levels and navigate to the **POWER** item on the **COMPUTE MODULE** menu.



- l. Select **POWER SUPPLY** and then select **ON**.

Important: If the display goes into standby mode or Compute Module is powered off and on, it will automatically cancel USB BOOT MODE. Be sure to check that the boot mode is as intended if the process needs to be restarted.

4. Run the **Win32DiskImager** or **Etcher** tool and select the downloaded OS .img file.

If using Etcher:

- a. Launch the Etcher application.
- b. Select the downloaded OS .img file as the source image.
- c. The Compute Module should automatically appear as the destination drive.

- d. Click “Flash!” to begin writing and verifying the image. This process should take approximately 5 to 15 minutes.
- e. When finished, the drive should contain the boot files for the OS.

If using Win32DiskImager:

- a. Run the Compute Module boot application “rpiboot”, installed on the “Raspberry Pi” Windows Start menu. A window should appear with “Waiting for BCM2835/6/7”.

Note: The Compute Module boot installer makes the Compute Module appear as a USB mass storage device to Windows. This step must be performed each time the Compute Module is placed into USB Boot Mode and powered on.

The “rpiboot” command window should show some text and disappear.

A new mass storage device should show as a new drive letter on the host PC. Windows may display a message saying the device needs to be formatted before use – ignore this message as it will be formatted by imaging it.

See the “Troubleshooting” section on page 61 of this guide if a new mass storage device doesn’t appear.

- b. Run the **Win32DiskImager** tool and select the downloaded OS .img file.
- c. Select the new drive as the Target Device. Make sure the correct drive is selected as all data will be overwritten.
- d. Write the file to the Compute Module. This should take approximately 5 to 15 minutes.

When finished, the drive should contain the boot files for the OS.

Note: The display may go into a power save mode because there is no signal from the Compute Module (the power led will flash green). The internal Compute Module will remain powered on and can be flashed.

Important: If the display or Compute Module is powered off and on, it will automatically cancel USB BOOT MODE. Make sure the boot mode is as intended if the process needs to be restarted.

5. Configuring boot options:

Some settings in the boot files `config.txt` and `cmdline.txt` can be modified at this stage. For example, settings to correctly set the video output level and to enable the IR Remote module (lirc) can be made while still in Windows.

Navigate to the drive letter of the Compute Module to see the boot files.

Use a text editor that is compatible with UNIX type line endings such as Notepad++ (<https://notepad-plus-plus.org/>)

See other sections of this document for further information on specific configurations.

6. The Compute Module in the display can now be restarted in normal mode to boot the device. (Example screens for navigating through the OSD controls are in step 4 above):
 - a. On the NEC display select the **COMPUTE MODULE** video input.
 - b. Navigate to the **COMPUTE MODULE** menu on the OSD.
 - c. Navigate to the **SERVICE MENU** item on the **COMPUTE MODULE** menu.
 - d. If the **USB BOOT MODE** setting is still set to **ENABLE** change it to **DISABLE**.
 - e. Navigate to the **POWER** item on the **COMPUTE MODULE** menu.
 - f. Select **POWER SUPPLY** to **OFF**.
 - g. Wait for power to the Compute Module to be shutdown. When navigating back to the same menu item it should now show **POWER SUPPLY OFF**.
 - h. Select **POWER SUPPLY** to **ON**.

The boot-up sequence for the Compute Module should be seen on the screen.

Note: If the system hangs at the rainbow start screen, the operating system may not be compatible with the model of the Compute Module being used.

7. Check for any system and firmware updates. See section 9.1.7.

6.2 Using a Raspberry Pi 1, 2, or 3 as a host

When using Raspberry Pi 1/2/3 as a host, perform the following steps to download, compile, and run the “rpiboot” tool. This will make the Compute Module appear as a Mass Storage device. These steps only need to be done once in order to make the tool. Skip to the last step if this has already been done.

Note: An Internet connection is required for these steps.

1. Open a terminal window and confirm that the internal date is correct by entering:

```
date
```

If the date is not correct enter the current date in a terminal window:

```
sudo date MMDDhhmm
```

Where MM is month, DD is day, and hh and mm is hours and minutes respectively.

2. Make sure the host system is up to date using the following commands in a terminal widow:

Note: These may take 10 or more minutes to complete. Answer “y” if prompted.

```
sudo apt-get update
```

```
sudo apt-get upgrade
```

```
sudo rpi-update
```

```
reboot
```

3. After it has restarted open a terminal window again.

```
cd Desktop
```

Clone the usbboot tool repository:

```
git clone --depth=1 https://github.com/raspberrypi/usbboot.git  
cd usbboot
```

4. Install libusb using the following command:

```
sudo apt-get install libusb-1.0-0-dev
```

5. Now build and install the usbboot tool:

```
make  
sudo make install
```

Run the usbboot tool and it will wait for a connection:

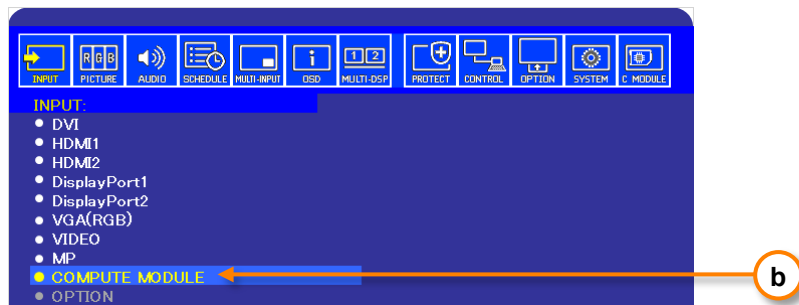
```
sudo rpiboot
```

You should see

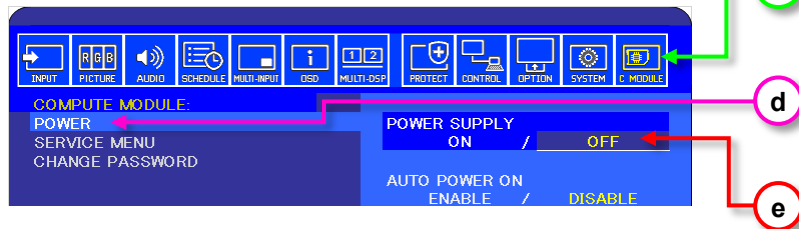
```
Waiting for BCM2835/6/7
```

6. Power up the Compute Module in USB boot mode:

- Make sure the USB cable is directly connected between the host PC and the display. **Do not use a USB extender cable or hub between the host PC and the display.**
- On the NEC display select the **COMPUTE MODULE** video input.



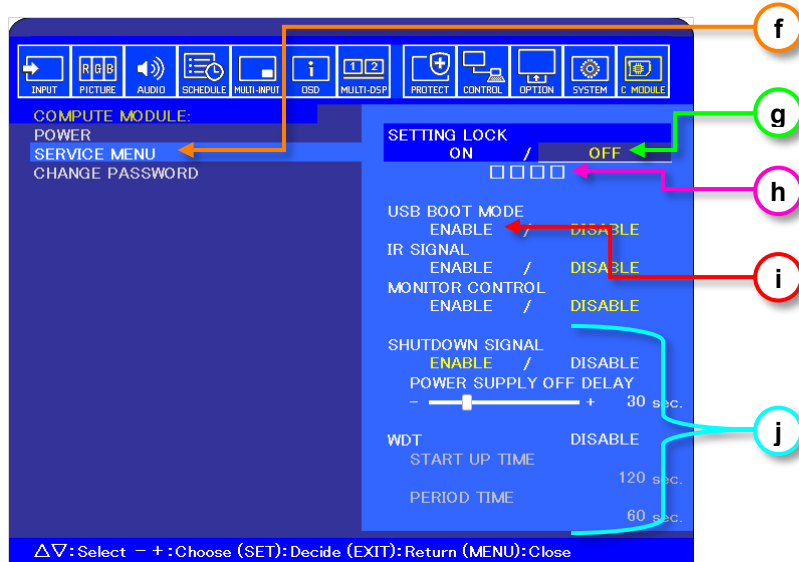
c. Navigate to the **COMPUTE MODULE** menu on the OSD.



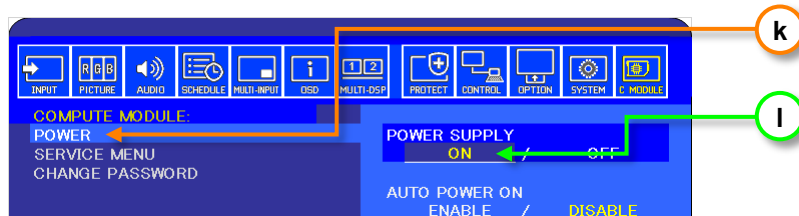
d. Select **POWER**.

e. If **POWER SUPPLY** is currently **ON** then change it to **OFF** and confirm.

- f. Select **SERVICE MENU**.



- g. Select **SETTING LOCK** and then select **OFF**.
- h. Enter the passcode. The default is **0 0 0 0**.
- i. Select **USB BOOT MODE** and then select **ENABLE**.
- j. It is also recommended setting **SHUTDOWN SIGNAL** to **DISABLE** and **WDT** to **DISABLE** during programming.
- k. Exit two levels and navigate to the **POWER** item on the **COMPUTE MODULE** menu.



- l. Select **POWER SUPPLY** and then select **ON**.

Important: If the display goes into standby mode or the Compute Module is powered off and on, it will automatically cancel USB BOOT MODE. Be sure to check the boot mode is as intended if the process needs to be restarted.

7. On the Raspberry Pi the terminal window that was used to run `rpiboot` should now show:

```
Initialized device correctly
```

Confirm the name of the device given to the Compute Module on the system by entering the command:

```
ls /dev/sd*
```

This should list at least one device such as `"/dev/sda/"`.

If the Compute Module has previously been flashed, it may also list partitions such as `"/dev/sda1/"` and `"/dev/sda2"`

If other devices, such as “/dev/sdb”, are listed it could indicate that another USB drive is currently connected. Disconnect the drive and repeat this step.

8. Flash the OS image to the Compute Module.

Navigate to the folder where the image file was downloaded and unzipped.

For example, from a new terminal window:

```
cd Downloads
```

Perform a directory listing to confirm the name of the image file:

```
ls
```

Write the downloaded image to the Compute Module using:

```
sudo dd if=xxxxxxxx.img of=/dev/sda bs=4MiB
```

Where `xxxxxxxx.img` is the name of the image file to write.

Note: This step will take several minutes to complete and erases all data on the Compute Module.

When it is finished, confirm the “records in” matches the “records out”.

9. The Compute Module in the display can now be restarted in normal mode to boot the device (Example screens for navigating through the OSD controls are in step 6 above):
 - a. On the NEC display select the **COMPUTE MODULE** video input.
 - b. Navigate to the **COMPUTE MODULE** menu on the OSD.
 - c. Navigate to the **SERVICE MENU** item on the **COMPUTE MODULE** menu.
 - d. If the **USB BOOT MODE** setting is still set to **ENABLE** change it to **DISABLE**.
 - e. Navigate to the **POWER** item on the **COMPUTE MODULE** menu.
 - f. Select **POWER SUPPLY** to **OFF**.
 - g. Wait for power to the Compute Module to be shutdown. If you navigate to the same menu item it should now show **POWER SUPPLY OFF**.
 - h. Select **POWER SUPPLY** to **ON**.
 - i. The boot-up sequence for the Compute Module should be seen on the screen.
8. Check for any system and firmware updates. See section 9.1.7.

7 Using the Yodeck bootloader to overwrite the current OS

[Yodeck Digital Signage](#) has developed a special bootloader that can be used to replace the current OS image with another image located on a connected USB storage device. This can be done without the need to configure the display settings or connect a host PC, keyboard, or mouse.

This bootloader is included on newer releases of the NEC Edition Compute Module; it can also be installed using the Compute Module Configuration Tool for Raspbian (see page 67). Look for the orange Yodeck logo during boot to see if it is installed on the current OS image.



If the bootloader is installed on the system, it will search for connected USB storage devices and scan for OS image files. If an OS image is found, the bootloader then writes the contents of that file to the Compute Module's eMMC – automatically overwriting the current OS image.

An OS image can be an .img file, or a ZIP file containing an .img file, stored in the root folder on a USB storage device formatted in FAT, FAT32, NTFS, EXT2, EXT3 or EXT4. The file name must begin with "Raspberrypi" or "AUTORaspberrypi" and end in ".zip" or ".img" for it to be recognized by the bootloader.

A single image file located on the USB storage device with a name starting with "AUTORaspberrypi" will automatically start overwriting the current system without any user intervention.

An image file name starting with "Raspberrypi" causes a selection to be shown on the boot screen, the image can then be manually selected using a USB keyboard.

If there are no matching image files found by the bootloader, the normal boot process will continue in a few seconds.

Important: The bootloader will replace the entire OS image on the Compute Module's eMMC. **All existing data will be lost.** Also, the bootloader does not persist after the OS image is replaced. To use it again, it must be re-installed.

To use the bootloader, copy a suitably named valid OS image file to a USB storage device and insert it into either the USB CM1 or CM2 connectors on the display. Restart the Compute Module from the OSD or cycle power to the display.

Note: USB flash drives are preferred over USB hard drives. If a flash drive does not work, try another brand/model.

8 Miscellaneous Configuration Items

Note: Many of the options for the Raspbian OS can be automatically configured using the Compute Module Configuration Tool for Raspbian see “Compute Module Configuration Tool for Raspbian” on page 67.

8.1 Configuring the correct HDMI video level encoding and decoding

The Compute Module can output video to displays that have video levels either in the range 0-255 (known as “full”) or in the range 16-235 (known as “limited” or “RGB limited”). Configuration settings for the OS determine which range will be output. The NEC display can accept either range sets and will display the video correctly, as long as it is configured correctly to match the video range from the Compute Module. However, it is recommended to use the “full” range since it will give the maximum number of displayable colors.

A mismatch between the output range from the Compute Module and the display will result in either:

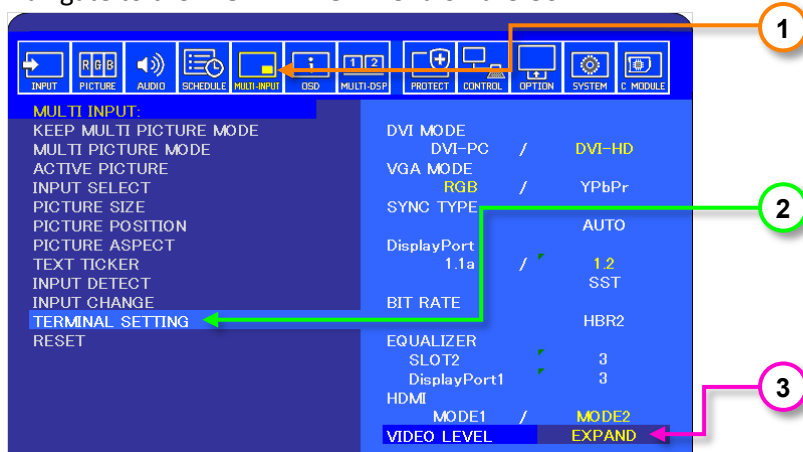
- Blacks appearing as gray and whites being too dark.
 - Cause: Compute Module outputs “limited” video range and the display is set to “RAW”.

Or

- Dark gray levels being crushed and whites being clipped.
 - Cause: Compute Module outputs “full” video range and the display is set to “Expand”.

The video range used by the display is configured as follows:

1. Navigate to the **MULTI INPUT** menu on the OSD.



2. Select **TERMINAL SETTINGS**.
3. The **VIDEO LEVEL** setting determines how the display will handle the video from the Compute Module.
 - **RAW** - Use **RAW** if the Compute Module is configured to output “full” video in the range 0-255. **This is the recommended configuration since it provides the maximum number of displayable colors.** The display will not modify the range of the video signal levels.

- **EXPAND** - Use **EXPAND** if the Compute Module is configured to output “limited” video in the range 16-235. The display will expand the video from the range 16-235 to 0-255 internally.

The video range used by the Compute Module depends on the Operating System. By default and depending on the OS, many distributions will automatically output a video signal to the display that uses video levels 16 to 235. A configuration file or menu setting is used to configure the video level. See “Table 5-1: Operating System Distro” for details about each OS.

For Raspbian and many other OS distros, the current video settings can be confirmed by typing the following into a terminal window:

```
tvservice -s
```

The output should show something similar to the following:

```
“HDMI CEA (16) RGB lim 16:9, 1920x1080 @ 60.00 Hz, progressive”
```

If “lim” is shown, it means that limited 16 – 235 video is being output to the display.

To change this setting, a configuration file must be edited. If changing the setting from the Compute Module itself, use the built in text editor “Nano” to edit the config.txt file:

```
sudo nano /boot/config.txt
```

Scroll to the end of the file and enter the following line:

```
hdmi_pixel_encoding=2
```

Save the file by pressing CONTROL + o then ENTER

Exit Nano by pressing CONTROL + x

Restart the Compute Module by typing:

```
sudo reboot
```

When rebooted, confirm the video levels are correct by using the following command again:

```
tvservice -s
```

The output should now show “full”

```
“HDMI CEA (16) RGB full 16:9, 1920x1080 @ 60.00 Hz, progressive”
```

8.2 To disable overscan (if black bars are visible on the sides of the screen)

Either

- Run the Raspberry Pi Config utility

```
sudo raspi-config
```

```
Select: 9 Advanced Options
```

Select: A1 Overscan

Select: No

Or

- Edit the config.txt file to disable overscan:

```
sudo nano /boot/config.txt
```

Look for the following section:

```
# uncomment this if your display has a black border of unused pixels visible
```

```
# and your display can output without overscan
```

```
#disable_overscan=1
```

Edit the last line to remove the #.

```
disable_overscan=1
```

Save the file and reboot.

8.3 To rotate the screen image to portrait orientation

Edit the config.txt file:

```
sudo nano /boot/config.txt
```

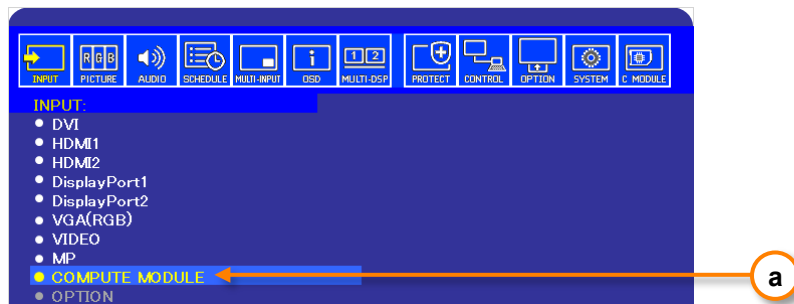
Add a new line:

```
display_rotate=3
```

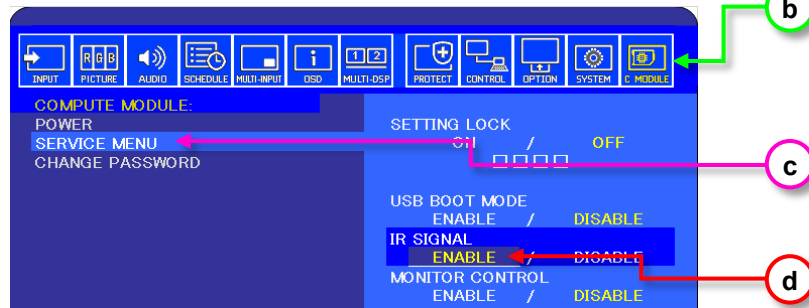
Save the file and reboot.

8.4 To enable support for the IR Remote receiver using “lirc”

1. Make sure the display support is enabled.
 - a. On the NEC display select the **COMPUTE MODULE** video input.



- b. Navigate to the **COMPUTE MODULE** menu on the OSD.



- c. Select **SERVICE MENU**.
- d. Confirm that the **IR SIGNAL** is set to **ENABLE**.
- e. If not set, then:
- Select **SETTING LOCK** and then select **OFF**.
 - Enter the passcode. The default is **0 0 0 0**.
 - Select **IR SIGNAL** and select **ON**.
2. Edit the config.txt file to enable support for lirc:
- ```
sudo nano /boot/config.txt
```
- a. Look for the following section:

```
#uncomment this to enable the lirc-rpi module
#dtoverlay=lirc-rpi
```

b. If present, edit the last line to remove the # otherwise add the following line to the end of the list:

```
dtoverlay=lirc-rpi
```

c. Save the file by pressing **CONTROL + o** then **ENTER**.

d. Exit Nano by pressing **CONTROL + x**.

#### Notes:

- A reboot is usually necessary to enable support.
- If lirc support is not included with the OS, it can be installed using the following:

```
sudo apt-get install lirc
```

- Additional configuration may be required in the OS and application being used.

## 8.5 To test support for the IR Receiver by outputting raw data

Make sure lirc is installed using:

```
sudo apt-get install lirc
```

Output raw data from the IR receiver as follows:

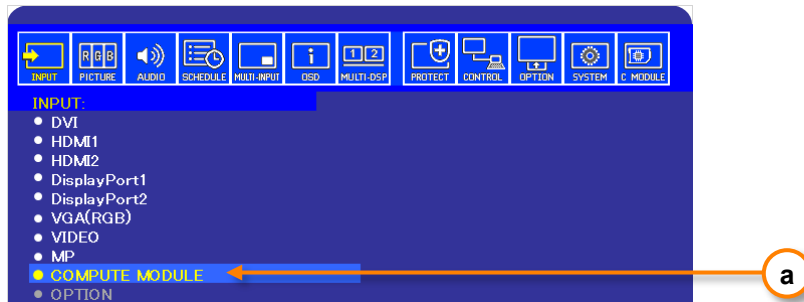
```
sudo /etc/init.d/lirc stop
```

```
mode2 -d /dev/lirc0
```

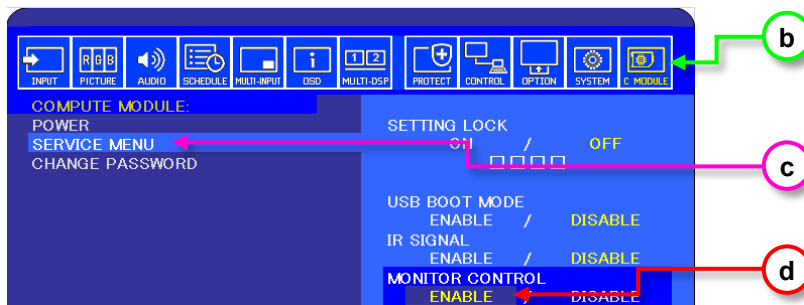
Point an IR Remote at the IR sensor on the display and press some buttons. Output should be seen showing the raw pulses received.

## 8.6 Enabling the serial port (UART) to the display and allowing application access

1. Make sure the display support is enabled.
  - a. On the NEC display select the **COMPUTE MODULE** video input.



- b. Navigate to the **COMPUTE MODULE** menu on the OSD.



- c. Select **SERVICE MENU**.
  - d. Confirm the **MONITOR CONTROL** is set to **ENABLE**.
  - e. If not set, then:
    - i. Select **SETTING LOCK** and then select **OFF**.
    - ii. Enter the passcode. The default is **0 0 0 0**.
    - iii. Select **MONITOR CONTROL** and then select **ENABLE**.
2. Edit the cmdline.txt file to allow app access to the serial port and prevent bootup information being sent to the display:

```
sudo nano /boot/cmdline.txt
```

Edit to remove the section "console=serial0,115200" or similar such as "console=ttyAMA0,115200"

Save the file by pressing CONTROL+o then ENTER.

Exit Nano by pressing CONTROL + x.

3. Edit the config.txt file to allow application access to the serial port:

```
sudo nano /boot/config.txt
```

Edit to either add or change so there is a line with “enable\_uart=1”

If using the Compute Module 3 add the following two lines:

```
dtoverlay=uart1
```

```
core_freq=250
```

Save the file by pressing CONTROL+o then ENTER.

Exit Nano by pressing CONTROL + x.

4. Reboot using:

```
sudo reboot
```

**Important:** When the Raspberry Pi boots up, all of the bootup information can be sent to the serial port for debugging purposes. Since this serial port is connected internally to the display, this may overwhelm the display and cause erratic behavior (such as the OSD flashing, random operations being performed, slow bootup of the Compute Module, etc.). If the internal connection is enabled (the **MONITOR CONTROL** setting on the **COMPUTE MODULE** menu of the OSD is set to **ENABLE**) then the bootup information must be disabled.

## 8.7 Testing internal serial communications to the display using the Python based NEC PD SDK

1. Install the Python based NEC PD SDK files, and download the examples. See Python Based NEC PD SDK on page 65.
2. If necessary, install the Python serial module. This should normally be automatically installed.

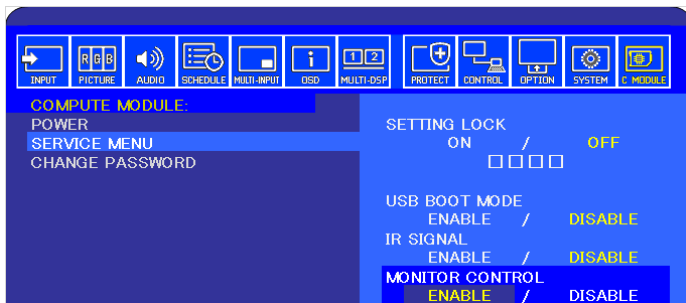
```
sudo apt-get install python-serial
```

3. Run the test file in the SDK.

```
python test_routines_example.py
```

4. The application should output information about the display, such as model name and serial number.

**Note:** Confirm the MONITOR CONTROL is set to ENABLE on the OSD.

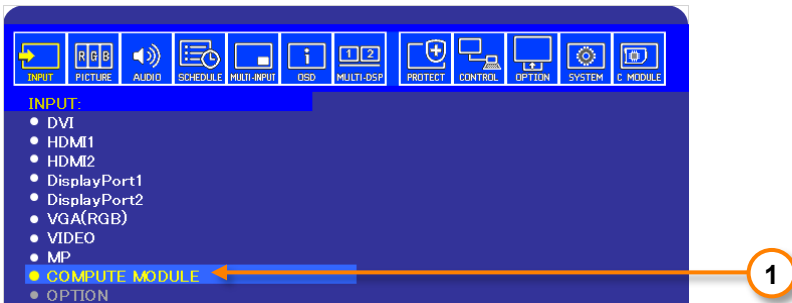


## 8.8 Configuring the Compute Module to shutdown using shutdown signal from the display

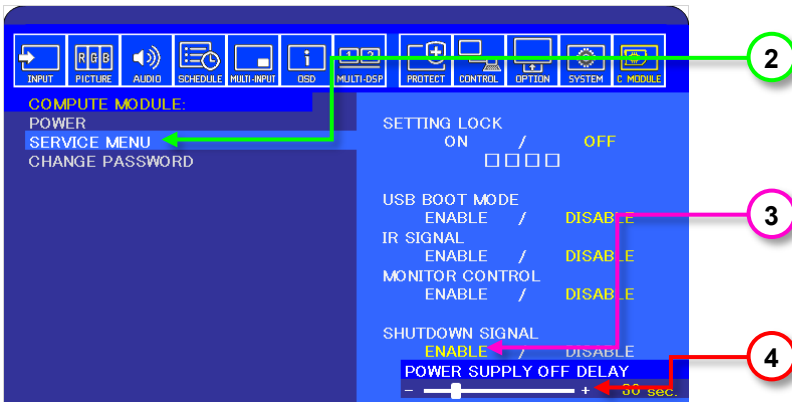
An example Python script `rpi_shutdown.py` is included with the Python based NEC PD SDK. The script shows how to monitor GPIO 23 for a high to low transition, and how to use this to gracefully shutdown the Operating System on the Compute Module before power to the module is removed by the display. Normally this script should be started when the Operating System starts. This can be accomplished by adding it to the `/etc/rc.local` file on the system. See the instructions provided in the sample file for more details.

To enable the Shutdown Signal from the display:

1. On the NEC display navigate to the **COMPUTE MODULE** menu on the OSD.



2. Select **SERVICE MENU**.



3. Confirm that the **SHUTDOWN SIGNAL** is set to **ENABLE**.

If not set, then:

- a. Select **SETTING LOCK** and then select **OFF**.
  - b. Enter the passcode. The default is **0 0 0 0**.
  - c. Select **SHUTDOWN SIGNAL** and then select **ENABLE**.
4. Adjust the **POWER SUPPLY OFF DELAY** setting to set the delay between setting the shutdown signal (GPIO 23 goes low) and power to the Compute Module being turned off by the display.



## 8.9 Creating an image of the Compute Module to backup or clone

Follow the steps to connect to a Windows host PC and place the Compute Module into USB BOOT MODE.

Run the **Win32DiskImager** software and instead of selecting Write, select Read to read the drive and store as an .img file.

**Note:** Because the entire expanded system will be copied, the resulting .img file will be the size of the flash capacity of the Compute Module (e.g. 4GB for the standard Compute Module 1 and 3, and 16GB for the Raspberry Pi Compute Module 3 NEC edition)

If imaging Raspbian OS from a Linux machine, the image file can be reduced in size using a tool such as PiShrink. This will reduce the time it takes to upload the image to other Compute Modules, the image will be expanded to the full size when the Compute Module is first booted. Extreme care should be taken to ensure that the re-expanded image is correct before distributing.

PiShrink is available on GitHub:

<https://github.com/Drewsif/PiShrink>

## 8.10 Reading and setting the display's internal Real Time Clock (RTC) from the OS

The Compute Module doesn't include a Real Time Clock so the correct time must be configured at each startup. This is usually done via a network connection to an NTP time server; however, the Compute Module can read the display's internal Real Time Clock as well.

The display's internal Real Time Clock can be read and set from the Compute Module via the internal serial connection (UART). This can be useful in situations where the Compute Module is unable to get the current time from the network.

The Python based NEC PD SDK includes the following sample files:

- `set_system_to_display_clock.py` - Reads the display's internal clock via the internal serial connection and sets the system time accordingly. This file can be added to a startup script on the system, if necessary, in order to set the OS time from the display if no network connection is available.
- `set_display_to_system_clock.py` - Sets the display's internal clock based on the current system time on the Compute Module.

See the files included in the SDK for more details. See Python Based NEC PD SDK on page 65.

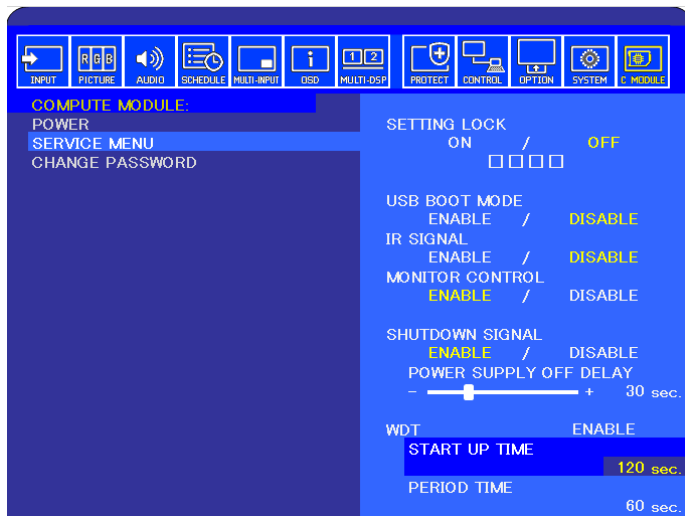
## 8.11 Using the display's Watchdog Timer (WDT)

The display features an internal Watchdog Timer that can be used to automatically restart the Compute Module if it stops responding; for example, if it hangs for some reason.

To use this feature, a background application is configured to periodically send reset commands to the display via the internal UART. The display will expect to receive these reset commands as an indication that the Compute Module is functioning normally. If, for some reason, the reset commands aren't received as expected the display will shut down and restart the Compute Module.

Use of the Watchdog Timer is optional and requires configuring the Operating System to start the background application at bootup. The Watchdog Timer is enabled and configured via the OSD or communications commands. The background application must send the reset command at least as often as the Period Time configured via the OSD. If two consecutive resets commands aren't received, the display will restart the Compute Module.

There are two time periods that can be configured for the Watchdog Timer:



- Start Up Time – This sets the time delay for when the display should start receiving WDT reset commands, via the internal UART, after power is applied to the Compute Module. This timer's value should be set high enough to include time for the operating system to fully load on the Compute Module, and for the periodic reset commands to begin sending to the display.
- Period Time – This sets the maximum amount of time within which the display must receive WDT reset commands from the Compute Module, via the internal UART. If two consecutive reset commands are missed, the display will restart the Compute Module. This timer's value should be set high enough to ensure that any software running on the Compute Module will be able to send the periodic reset command to the display, even under heavy load conditions.

The Python SDK includes support for sending the Watchdog Timer reset commands to the display, as well as configuring the timer settings. See the example file `reset_display_wdt.py` included in the SDK for more details. See Python Based NEC PD SDK on page 65.

See sections 8.9 through 8.11 for details on configuring the Watchdog Timer settings via the OSD.

## 8.12 Controlling the Compute Module cooling fan

By default, the cooling fan will turn on when power to the Compute Module is applied. A rotation sensor in the fan will report an error to the display if the fan fails to rotate.

The option to control the fan is located in the OSD Expert menu and is available in the list of commands that can be sent to the display via the internal UART or LAN.<sup>2</sup>

Direct control of the fan operation provides advanced functionality such as thermal control based on the temperature of the Compute Module. The Python SDK includes a sample function to read the Compute Module's temperature sensor via the OS and control the fan based on the temperature levels measured. This increases the lifetime of the fan itself and reduces noise levels by only running the fan when the Compute Module temperature is higher than specified levels.

The Python SDK includes support for sending the cooling fan commands to the display. The example file `reset_display_wdt.py` included in the SDK has support for thermal control based on the temperature of the Compute Module. Temperature levels and other parameters can be configured in the file. See Python Based NEC PD SDK on page 65.

See section 8.17 for details on configuring the Fan Power operation settings via the OSD.

**Important:** It is vital to keep the operating temperature of the Compute Module within safe operating levels by using the cooling fan. Damage to the Compute Module could occur if it overheats.

## 8.13 Controlling the Compute Module power

Power to the Compute Module can be set to turn on automatically when the display power is turned on, manually via the OSD, or manually via a command to the display. See sections 8.1 and 8.2 for details.

When the display power is turned off the Compute Module power can remain on, or automatically<sup>2</sup> shut down and turn off with the display. See section 8.18 for details.

**Important:** In order to avoid possible memory corruption it is highly recommended to use the Shutdown Signal to gracefully shutdown the system. See section 7.8 for details.

## 8.14 Checking and updating the display firmware version

The display firmware version is displayed on the SYSTEM → FIRMWARE menu on the OSD.



<sup>2</sup> These models require display firmware version R1.7 or later for this feature: C651Q, C751Q, C861Q, C981Q, P404, P484, P554, P654Q, P754Q, V404, V484, V554, V404-T, V484-T, V554-T, V554Q, V654Q, V754Q, V864Q, V984Q

The latest firmware can be downloaded from the following location:

[http://www.nec-display.com/dl/en/dp\\_soft/pd\\_fm\\_update/index.html](http://www.nec-display.com/dl/en/dp_soft/pd_fm_update/index.html)

Firmware can be updated via either a USB flash drive or the HTTP server in the display. See the instructions located at the above location for details.

## 9 Related OSD Settings

### 9.1 Compute Module menu → Power → Power Supply

Available options: On / Off

Controls power to the Compute Module.

If the **Shutdown Signal** is Enabled, selecting **Off** will set the shutdown signal and the **Power Supply Off Delay** timer will start. Power to the Compute Module will be turned off once the timer has finished.



### 9.2 Compute Module menu → Power → Auto Power On

Available options: Enable / Disable

When set to **Enable**, power to the Compute Module will be turned on automatically when the display power is turned on. If set to **Disable**, power to the Compute Module is manually controlled via either the **POWER SUPPLY** setting on the **COMPUTE MODULE** OSD menu, or via the HTTP interface to the display, or via a LAN command to the display (OpCode 117Ch).

Note that the Compute Module will remain on even when the display has been placed into Standby mode, unless it is turned off via the **POWER SUPPLY** setting on the **COMPUTE MODULE** OSD menu, or via the HTTP interface to the display, or via a LAN command to the display (OpCode 117Ch).



### 9.3 Compute Module menu → Service Menu → Setting Lock

Available options: On / Off

Access to other items on the **SERVICE MENU** is protected by a 4 digit password to prevent unauthorized access. The password can be set on the Compute Module → **CHANGE PASSWORD** OSD menu. The default password is **0 0 0 0**.

The Setting Lock will default to **On**.



## 9.4 Compute Module menu → Service Menu → USB Boot Mode

Available options: Enable / Disable

When set to **Enable**, the Compute Module will appear as a USB device to a PC connected to the USB2 input on the display and can be programmed with an Operating System. When set to **Disable**, the Compute Module will boot normally. See chapter USB connections for programming the Compute Module on page 16.



## 9.5 Compute Module menu → Service Menu → IR Signal

Available options: Enable / Disable

Enables or disables the forwarding of IR remote control signals, received from the display's internal and optional external IR sensor, to the Compute Module via GPIO 18.

See section 0 for more details on using this feature.

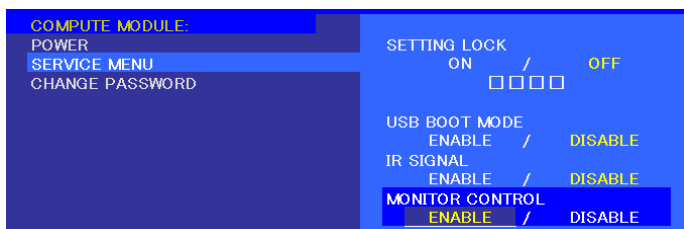


## 9.6 Compute Module menu → Service Menu → Monitor Control

Available options: Enable / Disable

Enables or disables the internal serial connection between the display and Compute Module. If set to **Enable**, communications is available via GPIO 14 & 15. This GPIO will normally appear as a TTY device.

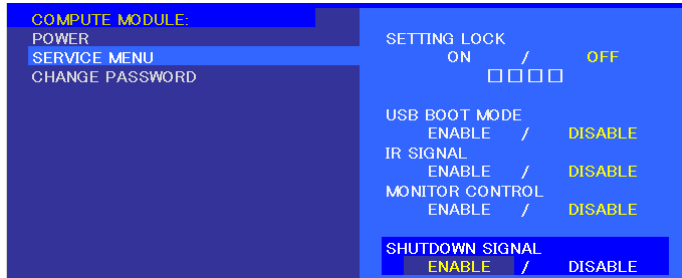
Make sure the Operating System doesn't send boot console debug messages to the UART serial port; it may cause erratic behavior in the display (such as the OSD flashing, random operations being performed, slow bootup of the Compute Module, etc.).



## 9.7 Compute Module menu → Service Menu → Shutdown Signal

Available options: Enable / Disable

Enables or disables the use of GPIO 23 to signal that power to the compute module will be shutting down. Note that a monitoring utility must be installed to watch the GPIO 23 shutdown signal and shut down the operating system accordingly.



## 9.8 Compute Module menu → Service Menu → Shutdown Signal → Power Supply Off Delay

For use only when the **Shutdown Signal** is set to **Enable**. This sets the time delay after the Shutdown Signal is set until the power to the Compute Module is turned off. Configure this to allow adequate time for any software to shutdown safely. Note that a monitoring utility must be installed to watch the GPIO 23 shutdown signal.



## 9.9 Compute Module menu → Service Menu → WDT

Available options: Enable / Disable

Enables or Disables the display's built in Watchdog Timer function for the Compute Module.<sup>3</sup>

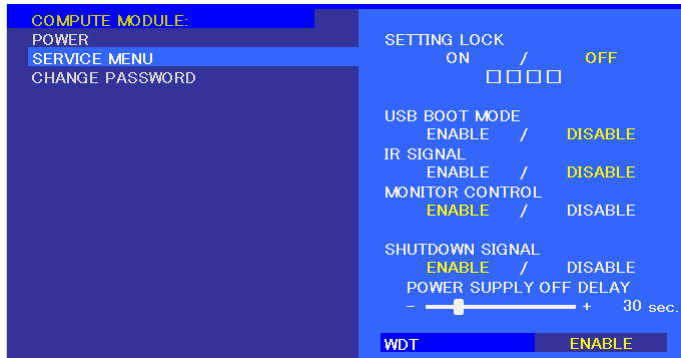
When set to **Enable**, the display will expect to receive a periodic reset command from the Compute Module via the internal UART. If the command isn't received for two consecutive timeout periods, the display will restart the Compute Module.

This feature can be used to automatically reset the Compute Module if the CPU hangs for some reason. The following two settings control the timeout periods: Start Up Time, Period Time

The Python SDK includes sample functions to send the periodic reset command. However, it is up to the developer to configure the system to make sure this runs as the Compute Module starts and continues to periodically send the reset command. See Python Based NEC PD SDK on page 65.

See section 7.11 for more details on using this feature.

<sup>3</sup> These models require display firmware version R1.006E or later for this feature: P404, P484, P554, V404, V484, V554, V404-T, V484-T, V554-T



## 9.10 Compute Module menu → Service Menu → WDT → Start Up Time

For use only when the **WDT** is set to **Enable**.<sup>4</sup>

This sets the time delay for when the display should start receiving WDT reset commands, via the internal UART, after power is applied to the Compute Module.

This timer's value should be set high enough to include time for the operating system to fully load, on the Compute Module, and for the periodic reset commands to begin sending to the display.



## 9.11 Compute Module menu → Service Menu → WDT → Period Time

For use only when the **WDT** is set to **Enable**.<sup>4</sup>

This sets the maximum amount of time within which the display must receive WDT reset commands from the Compute Module, via the internal UART. If two consecutive reset commands are missed, the display will restart the Compute Module.

This timer's value should be set high enough to ensure that any software running on the Compute Module will be able to send the periodic reset command to the display, even under heavy load conditions.



<sup>4</sup> These models require display firmware version R1.006E or later for this feature: P404, P484, P554, V404, V484, V554, V404-T, V484-T, V554-T



## 9.12 Control menu → USB → External Control

Available options: Enable / Disable

Enables or Disables monitor control via USB. Software such as NEC SpectraView and MultiProfiler use the USB connection to the display for communications. This connection is shared between the External PC, Internal PC (OPS), and the Compute Module, and it is switched using the following setting.



## 9.13 Control menu → USB → PC Source

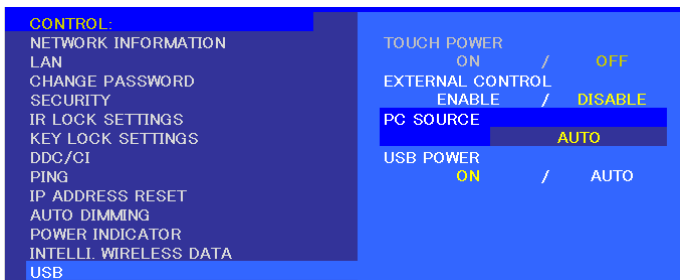
Available options: Auto / Internal PC / External PC / C Module

Selects the routing of the **USB1** input on the display. It also routes the internal USB connection from the touch sensor on display models with an integrated touch-screen.

This setting can be switched between the Compute Module, Internal PC (OPS) (if installed), and an External PC connected to the USB2 connection. By selecting **Auto**, it can be configured to switch automatically depending on the currently selected video input. This allows devices such as a mouse to be shared automatically between different sources as the video input is changed.

**Note:** Only the USB1 connection is switched. The USB CM1 and CM2 connections are dedicated to the Compute Module.

For display models with an integrated touch-screen, the internal USB connection from the touch sensor will also follow the **PC SOURCE** setting so that as video inputs on the display are changed, the touch-screen connection will automatically switch to the correct source device.



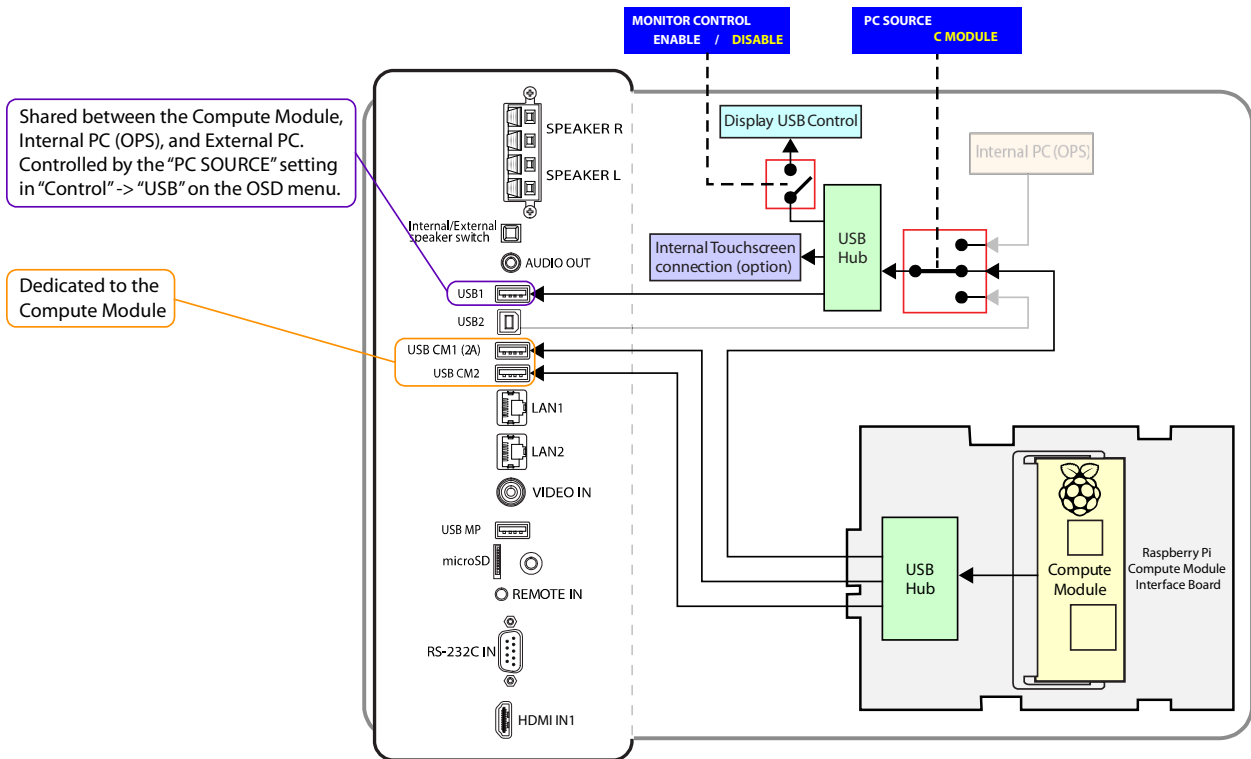


Figure 8.13-1: USB Routing with the Compute Module selected as the source

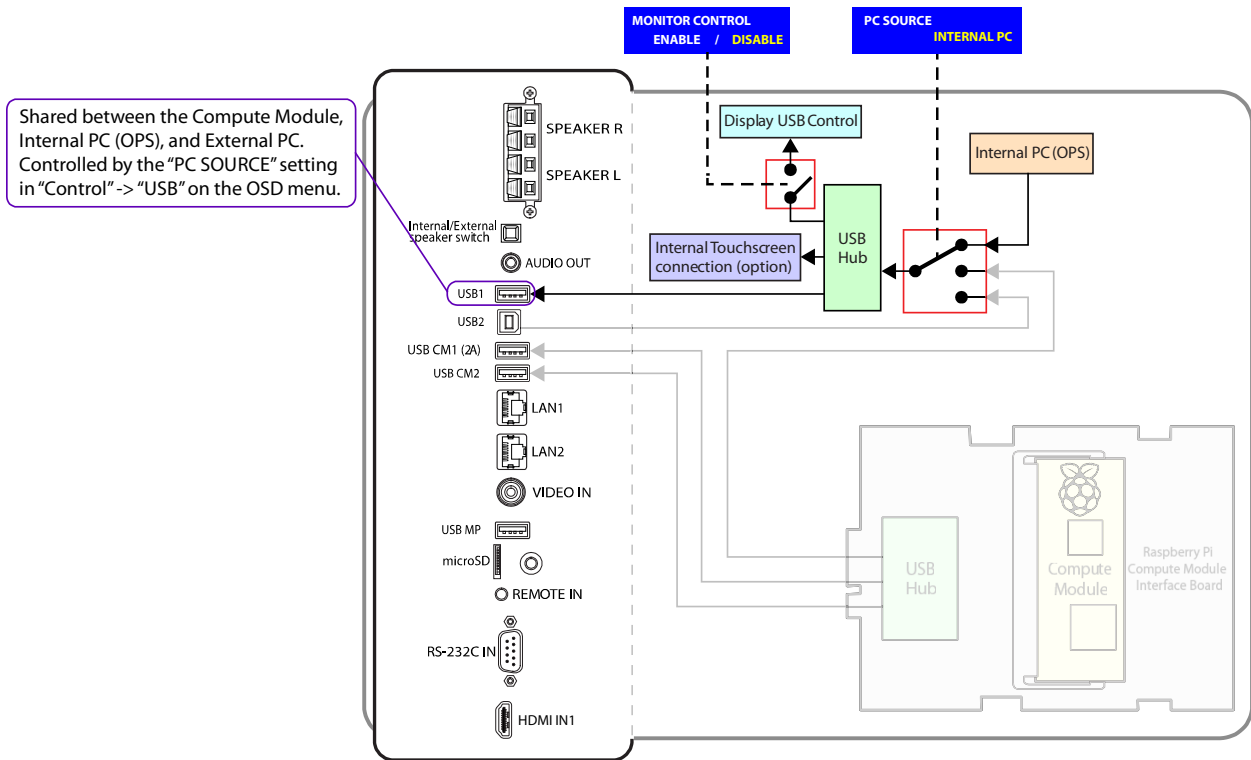


Figure 8.13-2: USB Routing with the Internal PC (OPS) selected as the source

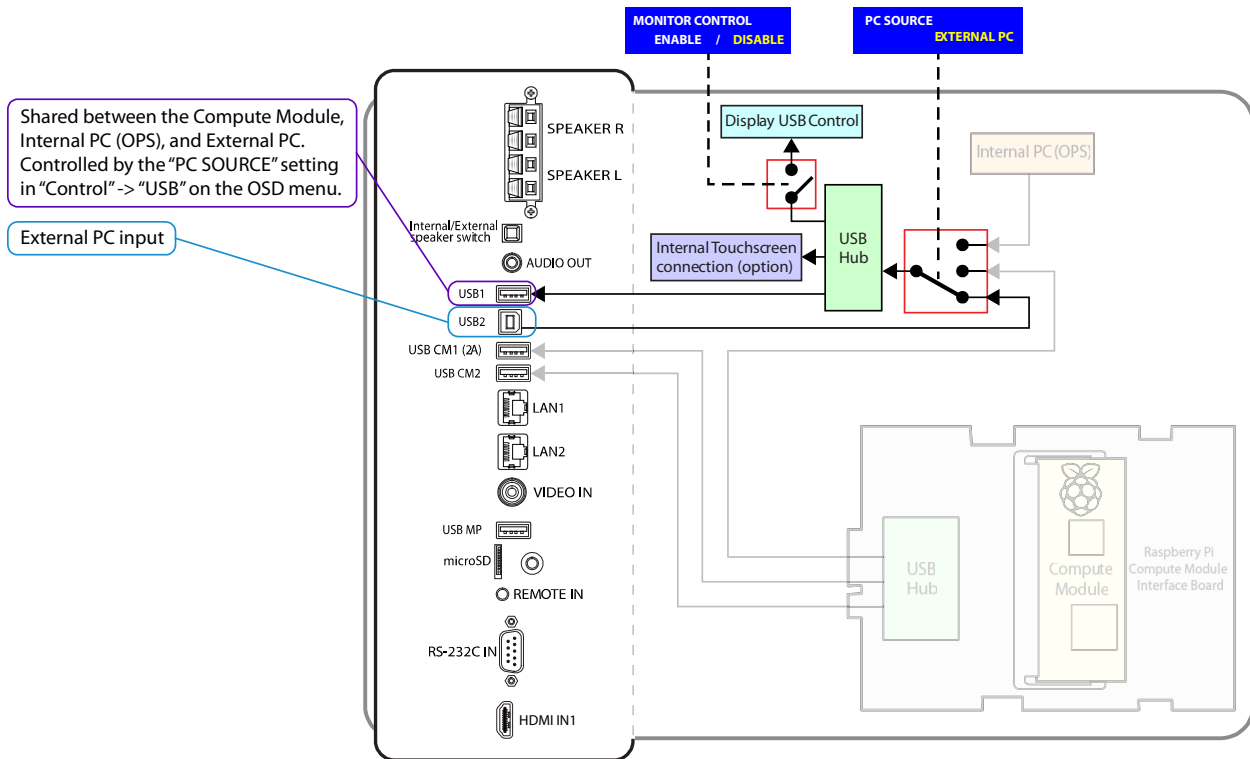


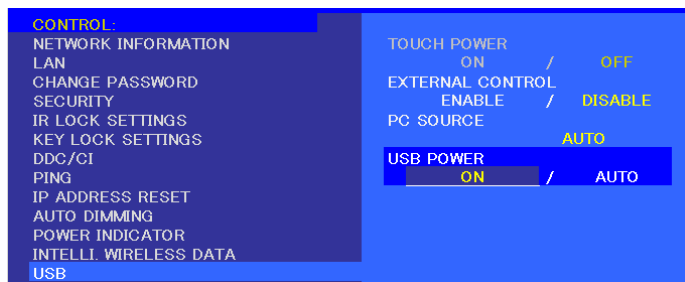
Figure 8.13-3: USB Routing with the External PC selected as the source

## 9.14 Control menu → USB → USB Power

Available options: On / Auto

Selects when power is supplied to the **USB CM1** connection on the display. When set to **Auto**, power is supplied only if the Compute Module and Compute Module Interface Board are installed in the display. When set to **On**, power is supplied at all times even when the display is in standby mode.

The USB CM1 connection is capable of supplying up to 2.0A.



## 9.15 Control menu → CEC → CEC

Available options: On / Off

Enables and disables the CEC (Consumer Electronics Control) function between the display and the Compute Module, in order to control CEC enabled software via the display's IR Remote Control.<sup>5</sup>

See section 0 for more details on using this function.



## 9.16 Control menu → CEC → Search Device

Available options: Yes / No

Selecting **Yes** will start the process of the display searching for a CEC (Consumer Electronics Control) device on the connection to the Compute Module. If no device is found, confirm that CEC enabled software is currently running on the Compute Module and that any CEC device drivers are enabled.<sup>5</sup>

Once the device has been detected, the display's IR Remote Control can be used to navigate and control CEC enabled software.



<sup>5</sup> These models require display firmware version R1.006E or later for this feature: P404, P484, P554, V404, V484, V554, V404-T, V484-T, V554-T

## 9.17 Expert menu → Compute Module → CM Fan Power

Available options: Auto / On / Off

Selects the operating mode of the Compute Module cooling fan.

- **Auto** (Default) - The display automatically turns the cooling fan on and off when the Compute Module is powered on and off.
- **Off** - Immediately turns the cooling fan off. The fan will remain off even when power to the Compute Module is turned on.
- **On** - Immediately turns the cooling fan on. The fan will remain on even when power to the Compute Module is turned off.

This setting is available via the Expert menu and as a command to the display (OpCode 0x11B5).<sup>6</sup>



## 9.18 Expert menu → Compute Module → CM Auto Shutdown

Available options: Enable / Disable

Selects how power to the Compute Module is handled when the display is turned off.

- **Enable** – When the display is turned off, power to the Compute Module will also be turned off. If SHUTDOWN SIGNAL is enabled, this will be performed first to allow the system to gracefully shut down before power is removed.
- **Disable** (Default) – Power to the Compute Module will remain on even when the display is turned off.

This setting is available via the Expert menu and as a command to the display (OpCode 0x11B7).<sup>6</sup>

<sup>6</sup> These models require display firmware version R1.7 or later for this feature: P404, P484, P554, V404, V484, V554, V404-T, V484-T, V554-T



# 10 Useful Information and Commands

---

## 10.1.1 To find out the IP address of the Compute Module from a terminal window

---

Use the following command from a terminal window:

```
hostname -I
```

Or

```
ifconfig
```

## 10.1.2 To restart from a terminal window

---

Use the following command:

```
sudo reboot
```

## 10.1.3 To shutdown from a terminal window

---

Use the following command:

```
sudo shutdown -h now
```

## 10.1.4 To run the Raspberry Pi Config utility from a terminal window

---

Use the following command:

```
sudo raspi-config
```

## 10.1.5 To change the keyboard layout to US from a terminal window

---

Either

- Use the following command

```
setxkbmap us
```

Or

- Use the following command and select “Internationalization Options”

```
sudo raspi-config
```

Select: 5 Internationalization Options

Select: I3 Change Keyboard Layout

Enter

Note: It may take several seconds for the list to appear.

Select: English (US)

Enter

Enter

Select: Finish

Or

- Edit the keyboard configuration file manually

```
sudo nano /etc/default/keyboard
```

Change the following line

```
XKBLAYOUT="gb"
```

to

```
XKBLAYOUT="us"
```

## 10.1.6 To add and remove packages from Raspbian

---

To add (install) a package:

```
sudo apt-get install [packagename]
```

To remove (uninstall) a package:

```
sudo apt-get remove [packagename]
```

For more information visit:

<https://www.raspberrypi.org/documentation/linux/software/apt.md>

## 10.1.7 To update the Raspberry Pi

---

To update the current OS version:

```
sudo apt-get update
```

To update the current software packages installed:

```
sudo apt-get upgrade
```

To update the current Raspberry Pi firmware:

```
sudo rpi-update
```

**Note:** The Compute Module's 'firmware' is stored in a file on the filesystem and can thus be transferred if the flash memory is re-imaged to another Compute Module device.

---



### 10.1.8 To install the Python serial module

---

To install the Python serial module necessary for internal communications with the display.

From Raspbian use:

```
sudo apt-get install python-serial
```

### 10.1.9 To mount a USB flash drive from the terminal

---

Example:

```
sudo mkdir /media/usbstick
```

```
sudo mount -t vfat -o uid=pi,gid=pi /dev/sda1 /media/usbstick
```

Replace “sda1” if drive devices is located in another location such as “sdb1”.

### 10.1.10 To access an SMB (Windows share) drive from the Raspbian desktop

---

Open a File Manger window. Enter a path into the location bar in the following format:

```
smb://sharename/foldername
```

Where “sharename” is the name of the host and “foldername” is the name of the folder being shared.

### 10.1.11 To list connected USB devices

---

From Raspbian use:

```
lsusb
```

### 10.1.12 To show available disk space

---

From Raspbian use:

```
df -h
```

### 10.1.13 To show internal information about the Raspberry Pi

---

From Raspbian use the following to list all available commands:

```
vcgencmd commands
```

Examples:

Show the internal temperature:

```
vcgencmd measure_temp
```

Show configurations that have been set:

```
vcgencmd get_config int
```

Information about the Raspberry Pi hardware including the processor's serial number:

```
cat /proc/cpuinfo
```

### 10.1.14 To download a file to the current directory

---

From Raspbian use:

```
wget http://www.website.com/example.txt
```

### 10.1.15 To find a file by name

---

From Raspbian use:

```
find / -name example.txt
```

### 10.1.16 To edit a protected system configuration file from the Raspbian desktop

---

From a terminal window open the Leafpad editor as sudo:

```
sudo leafpad
```

The file can now be opened, edited, and saved.

### 10.1.17 To install a minimal windowing system on Jessie Lite

---

From the command prompt enter the following command:

```
sudo apt-get install --no-install-recommends gvfs raspberrypi-ui-mods
xserver-xorg-video-fbturbo lxterminal
```

### 10.1.18 To prevent the screen saver from blanking the screen after several minutes

---

From the Raspbian edit the following file as sudo: `/etc/lightdm/lightdm.conf`

Modify the following section to add the highlighted text:

```
[SeatDefaults]
```

```
xserver-command=X -s 0 -dpms
```

### 10.1.19 To enable IR Remote control using CEC from OSMC

---

Navigate to: Settings → System → Input → Peripherals → CEC Adapter

Enable the setting. A restart may be required before the CEC device can be detected by the display.

Use the supported CEC buttons on the NEC IR Remote. See Figure 3.4-3.

See sections 0, 8.15 and 8.16 for more information.

**Note:** Information as of OSMC version 2017.02-2

---

### 10.1.20 To enable IR Remote control using lirc from OSMC

---

Navigate to: My OSMC → Remotes.

Scroll to the correct IR remote type or “lircd-full” and select.

Make sure that “Disable RC6” on the bottom right isn’t selected.

Navigate to: My OSMC → Pi Config → Hardware support.

Select “Enable LIRC GPIO support”.

The use the default of `gpio_in_pin = 18`.

A restart may be required before lirc can be started.

See section 0 and 8.5 for more information.

**Note:** Information as of OSMC version 2017.02-2

---

### 10.1.21 Monitoring the system processes, CPU usage, and memory

---

The `htop` system tool is an interactive system-monitor process-viewer and process-manager that gives visual information about processor, swap and memory status. Run from the command or terminal window:

```
htop
```

## 10.1.22 To enable and disable video output from the Compute Module to the display

---

The internal HDMI video signal from the Compute Module to the display can be disabled and enabled using the following commands. This can be useful for example to cause the display to enter standby mode or switch to another video input via the loss of video from the Compute Module, depending on the display settings.

To disable (turn off) the HDMI video signal output:

```
vcgencmd display_power 0
```

To enable (turn on) the HDMI video signal output:

```
vcgencmd display_power 1
```

# 11 Troubleshooting

---

## **Problem: No video when switching to the Compute Module input**

---

Solutions:

- Confirm the Compute Module and Compute Module Interface board are correctly installed.
- On the **COMPUTE MODULE** menu of the OSD, confirm that **POWER SUPPLY** is set to **ON**.
- On the **COMPUTE MODULE** menu of the OSD, confirm that **USB BOOT MODE** is set to **DISABLE**.  
Note: The Compute Module power will have to be cycled off and on after changing the boot mode to DISABLE.
- Confirm that a valid OS image has been written to the Compute Module.

## **Problem: Compute Module hangs at the rainbow screen**

---

Solutions:

- The imaged OS may not include support for the Compute Module model being used.
- Confirm that the image includes the correct corresponding file:
  - `bcm2708-rpi-cm.dtb` - for the Compute Module 1
  - `bcm2710-rpi-cm3.dtb` - for the Compute Module 3

## **Confirm the Compute Problem: Screen appears gray and blacks aren't true black.**

---

Solution:

- Most OS distros on the Compute Module are set to output the video range of 16 to 235 (otherwise known as "RGB limited") by default.
- Make sure the display settings for handling the video levels from the Compute Module match those on the OSD settings of the display. See the "Configuring the correct HDMI video level encoding and decoding" section for more details.

## **Problem: Black borders appear around the screen image**

---

Solution:

- Overscan needs to be disabled. Follow the previous instructions for checking the "disable\_overscan=1" configuration setting in the `config.txt` file.

## **Problem: “RPI Boot” is unable to detect the Compute Module**

---

### Solutions:

- If the display is currently in a power save mode (LED is flashing green), press the **POWER ON** button on the IR Remote control.
- On the **COMPUTE MODULE** menu of the OSD, confirm that **POWER SUPPLY** is set to **ON**.
- On the **COMPUTE MODULE** menu of the OSD, confirm that **USB BOOT MODE** is set to **ENABLE**.  
**Note:** The Compute Module power will have to be cycled off and on after changing the boot mode to ENABLE.
- Check that the Compute Module is correctly seated and latched in the SO-DIMM socket on the Interface board.
- Check that a USB cable is connected from the USB2 connector on the display to the host PC.
- Do not use a USB extender cable or hub between the host PC and the display. The host PC must be directly connected to the display via a single USB cable.
- “RPI Boot” may have already been run while the Compute Module has been powered up in boot mode. Running it again will not find the Compute Module.
- Disconnect and reconnect the USB cable to the host PC.

## **Problem: 3<sup>rd</sup> party IR Remote is not functioning**

---

### Solutions:

- Confirm the OSD **COMPUTE MODULE** setting for **IR SIGNAL** is set to **ENABLE**
- Confirm lirc is enabled in the `config.txt` file.
- Confirm the software being used is correctly configured for the 3<sup>rd</sup> party remote.
- Use lirc debugging mode to view the raw IR sensor output.
- CEC support may be enabled. Normally CEC support must be disabled in order for lirc to work correctly.

## **Problem: Serial communications with the display not functioning**

---

### Solutions:

- Confirm the OSD **COMPUTE MODULE** setting for **MONITOR CONTROL** is set to **ENABLE**
- Confirm the `config.txt` file contains the following line:

```
enable_uart=1
```

If using the Compute Module 3, the following two lines are also necessary:

```
dtoverlay=uart1
```

```
core_freq=250
```

- Confirm the `cmdline.txt` file doesn't contain any sections with “`console=serial0.....`” or “`console=ttyAMA0,.....`”.
- Confirm no other software is currently accessing the serial port.

---

**Problem: The Compute Module continually restarts**

---

Solution:

- Confirm the OSD **COMPUTE MODULE** setting for **WDT** (Watchdog Timer) is set to **DISABLE** or, if set to **ENABLE**, that any watchdog timer function installed is correctly configured to reset the timer in the display within the **TIME PERIOD** set on the OSD.

---

**Problem: Flashing the Compute Module fails after a couple of minutes.**

---

Solution:

- Confirm the OSD **COMPUTE MODULE** setting for **WDT** (Watchdog Timer) is set to **DISABLE**.

---

**Problem: Video playback is slow or jerky**

---

Solutions:

- The default of 64 MB for video may not be enough for full-screen video. Try allocating at least 128 MB system memory as video memory. 192 MB is recommended if for full-screen playback of 1920x1080 video files.
  - Using the Raspberry Pi Config Utility from a terminal window:

```
sudo raspi-config
```

```
Select: 7 Advanced Options
```

```
Select: A3 Memory Split
```

```
Change to at least 128
```

    - Save and restart the system.
  - By editing the `config.txt` file:
    - Modify or add this line if it doesn't already exist:

```
gpu_mem=128
```
    - Save and restart the system.

## 12 Codec Licenses

---

License keys for the hardware MPEG-2 and VC-1 codecs are included with the custom 16GB Raspberry Pi Compute Module 3 NEC Edition. The licenses are programmed into the processor during production. It is not necessary to purchase license keys.

All Compute Modules include hardware codec support for MPEG-4.

For the standard Compute Module 1 and 3, license keys for the MPEG-2 and VC-1 codecs can be purchased from Raspberry Pi and added to the `config.txt` file for the following section:

```
License Keys
```

```
decode_MPG2=
```

```
decode_WVC1=
```

Support for individual codecs can be confirmed using the following commands in a terminal window:

```
vcgencmd codec_enabled MPG2
```

```
vcgencmd codec_enabled MPG4
```

```
vcgencmd codec_enabled WVC1
```



## 13 Python Based NEC PD SDK

---

NEC has created a Python based SDK (Software Development Kit) to support many of the monitor functions easily via the Operating System running on the Compute Module.

Examples of supported functions are:

- Reading status information from the display, such as:
  - Model name
  - Serial number
  - Temperature and fan statuses
  - Diagnostic information
  - Operating hours
  - LAN IP and MAC addresses

This makes it very easy to integrate support for remote diagnostics and asset management into any software running on the Compute Module.

- Reading and writing almost any configuration setting and control within the display, such as: power, video settings, schedules, Picture-in-Picture, Tile Matrix, etc.

This can be used to easily configure or reset settings via remote using a script.

- Accessing the display's internal Real Time Clock. This can be used to set the Operating System's clock when it is unable to get the current time from the network.
- Monitoring the Shutdown signal from the display on GPIO 23 to gracefully shutdown any running software and the Operating System, before the display turns off power to the Compute Module.
- To periodically send reset commands to the display's built in Watchdog Timer, to signal that the Operating System is currently running correctly. The lack of a reset signal would indicate that the CPU on the Compute Module is hung, and the display would automatically restart the Compute Module.
- Automatically control the cooling fan for the Compute Module based on the reported system temperature on the Compute Module's internal temperature. This is done by sending a command to the display to control the fan power.

Note: This feature requires at least display firmware version R1.7 on the Pxx4 and Vxx4/-T models.

Communications with the display is via the UART on the Compute Module and an internal serial connection to the display. It is also possible to communicate with the display over LAN via its IP address. The SDK supports both communicating via both serial and LAN.

The SDK provides APIs (Application Programming Interfaces) for most of the commands supported by the display, so it is not necessary to start understanding the communications protocol from scratch. However, it is highly recommended to refer to the "External Control" document for the model being used to understand the parameters and function of each API.

The SDK can be installed from Raspbian using either of the following commands:

```
sudo easy_install nec_pd_sdk
```

or

```
sudo -H pip install nec_pd_sdk
```

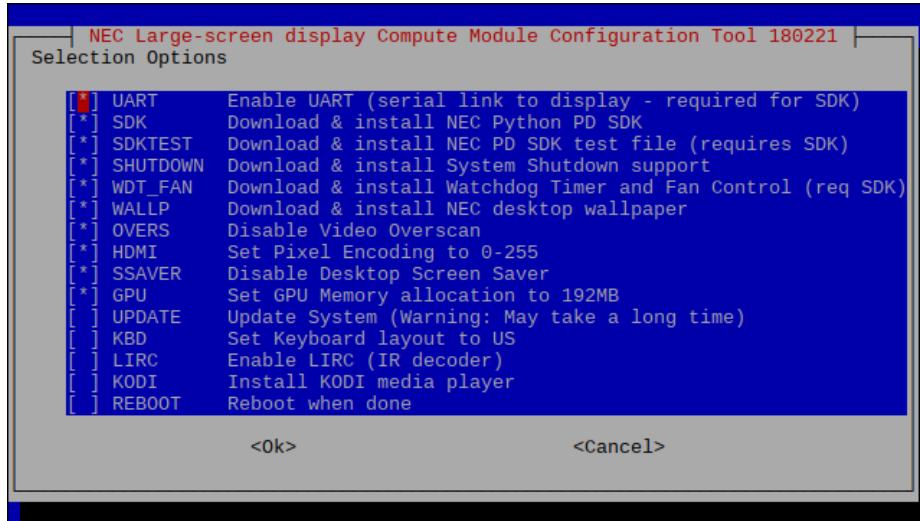
It can also be downloaded or cloned from the repository on GitHub:

<https://github.com/NECDisplaySolutions/necpdsdk>

Example files are included in the repository. These examples are not included in the package installer.

# 14 Compute Module Configuration Tool for Raspbian

NEC has created a menu based tool for automatically downloading and configuring various components and settings for Raspbian OS on the Raspberry Pi Compute Module. This makes it easy to configure a new OS install.



Options include:

- Configuring the UART to allow communications with the host display.
- Downloading and installing the NEC Python PD SDK which provides APIs for communicating with the host display. It will also install the Python Serial module if necessary.
- Downloading and installing an example Python file showing how to use the SDK APIs to communicate with the host display.
- Downloading and installing a Python file that provides System Shutdown support by monitoring GPIO 23 - set low by the display to signal a shutdown.
- Downloading and installing a Python file that provides hardware based Watchdog Timer support and automatic cooling fan control by the host display.
- Downloading and installing NEC branded desktop wallpaper.
- Disabling Video Overscan.
- Setting the HDMI Pixel (video level range) Encoding to 0-255.
- Disabling the Desktop Screen Saver to prevent screen blanking.
- Setting the GPU Memory allocation to 192MB.
- Updating the operating system and firmware.
- Setting the Keyboard layout to "US".
- Enabling the LIRC (IR decoder) support.
- Installing the KODI media player with remote control using the display's IR remote.
- Installing the Yodeck bootloader.

This can be downloaded from:

[https://github.com/NECDisplaySolutions/nec\\_rpi\\_config\\_tool](https://github.com/NECDisplaySolutions/nec_rpi_config_tool)

## 15 External reference information

---

**Main Raspberry Pi website:**

---

<https://www.raspberrypi.org/>

**Wikipedia page with listing of other supported operating systems:**

---

[https://en.wikipedia.org/wiki/Raspberry\\_Pi#Operating\\_systems](https://en.wikipedia.org/wiki/Raspberry_Pi#Operating_systems)

**Another listing of Raspberry Pi based operating system distributions:**

---

[http://elinux.org/RPi\\_Distributions](http://elinux.org/RPi_Distributions)

**Generic information for flashing the Compute Module:**

---

<https://www.raspberrypi.org/documentation/hardware/computemodule/cm-emmc-flashing.md>

**Information on using raspi-config:**

---

<https://www.raspberrypi.org/documentation/configuration/raspi-config.md>

**Information on using VNC to remotely control the desktop interface from another machine:**

---

<https://www.raspberrypi.org/documentation/remote-access/vnc/README.md>

**Accessing CEC (IR remote) functionality using Python via the libcec library:**

---

<https://github.com/Pulse-Eight/libcec/blob/master/src/pyCecClient/pyCecClient.py>

## 16 Frequently Asked Questions

---

### **What video resolutions are recommended and supported?**

---

Using the native resolution of 1920x1080 is recommended. Other resolutions may work.

### **Is the Raspberry Pi Compute Module functionality limited in some way, such as what software or Operating Systems can be used?**

---

No.

### **Are the GPIO pins on the Compute Module accessible and open to use?**

---

Currently the header on the NEC Compute Module Interface board is not populated and not supported.

### **What is the communications speed of the internal serial connection to the display?**

---

9600 baud. No parity. 8 bits data length with 1 stop bit.

### **What are the differences between the Raspberry Pi Compute Module 3 NEC Edition and the standard Compute Module?**

---

The Raspberry Pi Compute Module 3 NEC Edition includes 16GB of eMMC onboard storage instead of the standard 4GB. The NEC edition also includes codec licenses for the MPEG-2 and VC-1 hardware codecs. These licenses are programmed into the processor during production and do not need to be included in the `config.txt` file. Note that the CM3+ is available from RaspberryPi in 8, 16 and 32GB capacities.

### **Does NEC provide support for any software or Operating System on the Compute Module?**

---

NEC provides a Python based SDK for accessing the monitor control functionality via the internal serial connection. Support for other software or Operating Systems are not provided by NEC. See Python Based NEC PD SDK on page 65.

### **Does the Compute Module 3 provide any support for Wi-Fi or Bluetooth?**

---

All included network connectivity is via the LAN connections on the display. Wi-Fi and Bluetooth connectivity can be added by using a 3<sup>rd</sup> party USB dongle connected to the display.

---

**Does the NEC Compute Module Interface board provide SD card support to use instead of the onboard eMMC memory?**

---

No.

---

**Can the video output of the Compute Module be daisy-chained to another display via the Display Port Output connection?**

---

No.

---

**Can the microSD slot be used to expand the onboard memory of the Compute Module?**

---

No. The microSD slot, as well as the USB MP input, are dedicated to the internal Media Player on the display and cannot be used by the Compute Module. The USB CM1 and USB CM2 inputs can be used to connect additional USB based storage dedicated for the Compute Module.

---

**Is it possible to run Android OS on the Compute Module?**

---

There are currently some experimental builds of Android for the Raspberry Pi; however, these are probably not stable enough to be used for professional and commercial applications, and may not even work at all on the Compute Module version of the Raspberry Pi.

NEC currently recommends using the OPS Android DRD Digital Signage Player instead.

---

**Does the NEC Compute Module provide support for Wi-Fi or Bluetooth?**

---

No. However, a universal USB dongle such as the one on the [Raspberry Pi site](#) can be connected to the USB port on the display.

---

**Is it possible to boot directly to an external USB drive instead of the onboard eMMC memory?**

---

No.

**Warning:** Do not attempt to set the USB boot mode flag in the Compute Module's OTP by using `program_usb_boot_mode=1`. Setting this will render the Compute Module permanently unable to enter USB Boot Mode while hosted within the display. Flashing of the device via USB will no longer be possible.

---

### **What is the MAC address of the Compute Module?**

---

The MAC address is assigned by the Compute Module itself and is derived from the CPU serial number.

The first 3 octets (B8:27:EB) are fixed and assigned to Raspberry Pi Foundation. The remaining 3 octets are the last 6 hex digits of the CPU serial number. For example, if the CPU serial number is 000000096bf4e08 the MAC address will be B8:27:EB:BF:4E:08. The CPU serial number can be obtained by using:

```
cat /proc/cpuinfo
```

### **How long does it take to flash the Compute Module?**

---

It depends on the size of the image being flashed. USB read and write speeds are typically 5MB/s. So a 4GB image will take approximately 13 minutes to write. That time will double if verification is used. Using the Etcher flashing software can speed up the process significantly.

### **How can I find out the LAN IP or MAC address of the host display from the Compute Module?**

---

The Python SDK includes the functions `command_ip_address_read()` and `command_lan_mac_address_read()` that will return the IP and MAC address of the display.

### **How can the Compute Module be automatically shut down when the display is turned off?**

---

A new Expert mode control has been added to the OSD that will enable performing a shutdown of the Compute Module when the display is turned off via a command, power button, OSD menu, or IR remote control. See CM Auto Shutdown in section 8.18

### **Are the NEC displays compatible with the new Compute Module CM3+?**

---

The 8, 16, and 32 GB eMMC versions are supported.

### **Are the NEC displays compatible with the Compute Module Lite?**

---

No. The CM Lite requires SD card support.



# 17 Known Issues

---

## Display Firmware

---

- Shutting down the Compute Module via the HTTP interface and OpCode 117Ch is not working correctly in firmware prior to R1.006E on the Pxx4 and Vxx4/-T displays.
- CEC (Consumer Electronics Control) support between the display and Raspberry Pi Compute Module requires at least firmware R1.006E on the Pxx4 and Vxx4/-T displays.
- Watchdog Timer support for the Compute Module requires at least firmware R1.006E on the Pxx4 and Vxx4/-T displays.

## Compute Module 3

---

- Some older OS distros may not include the boot firmware for the Compute Module 3 and may fail to start correctly (hang at the rainbow start screen). Confirm that the OS being used is the correct version and build for the Compute Module being used.

## 18 Support

---

For more general support on the Raspberry Pi, Raspbian OS, and the Compute Module, it is recommended to visit the support forums at the Raspberry Pi Foundation:

<https://www.raspberrypi.org/forums/>

The latest version of this document, additional information, downloads, and feedback forms specifically relating to using the Raspberry Pi Compute Module together with a supported NEC display model are available here:

<http://www.necdisplay.com/support-and-services/raspberry-pi/>

The latest display firmware is available from the following location:

[http://www.nec-display.com/dl/en/dp\\_soft/pd\\_fm\\_update/index.html](http://www.nec-display.com/dl/en/dp_soft/pd_fm_update/index.html)