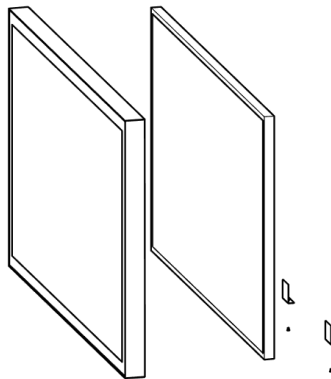


## 1.0 Contents

Guide Purpose	Page 1
Notes and Warnings	Page 1
Equipment	Page 2
Dimensional Drawings	Page 2
Installation Procedure	Page 3
Grounding Provisions	Page 6



## 2.0 Purpose

2.1 This procedure describes the steps to install the PCAP touch overlay onto the P554/V554 display.

## 3.0 Notes and Warnings

- 3.1 **Prior to installing the overlay, remove the NEC badge from the bottom edge of the monitor.**
- 3.2 The overlay contains tempered glass. Use caution when handling.
- 3.3 The overlay has an integrated USB cable located along the top edge of the overlay. Ensure the cable is not pinched, crushed, or damaged during installation.
- 3.4 Installation requires two persons at all times to ensure the touch frame does not bend or torque.
- 3.5 Once the touch screen is installed, do not lift the monitor by grasping or holding the touch screen overlay.
- 3.6 Contact NEC Display Solutions support if you have any questions or require additional installation guidance support.

500 Park Boulevard, Suite 1100

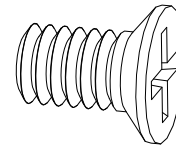
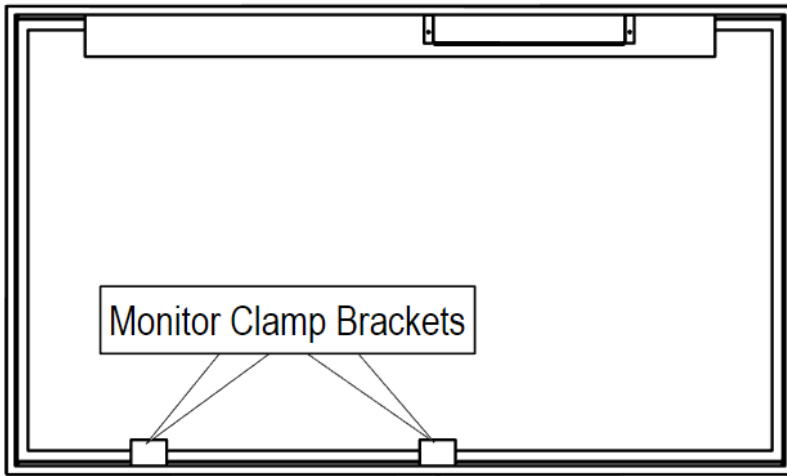
Itasca, IL 60143

Phone: (800) 632-4662

## 4.0 Equipment

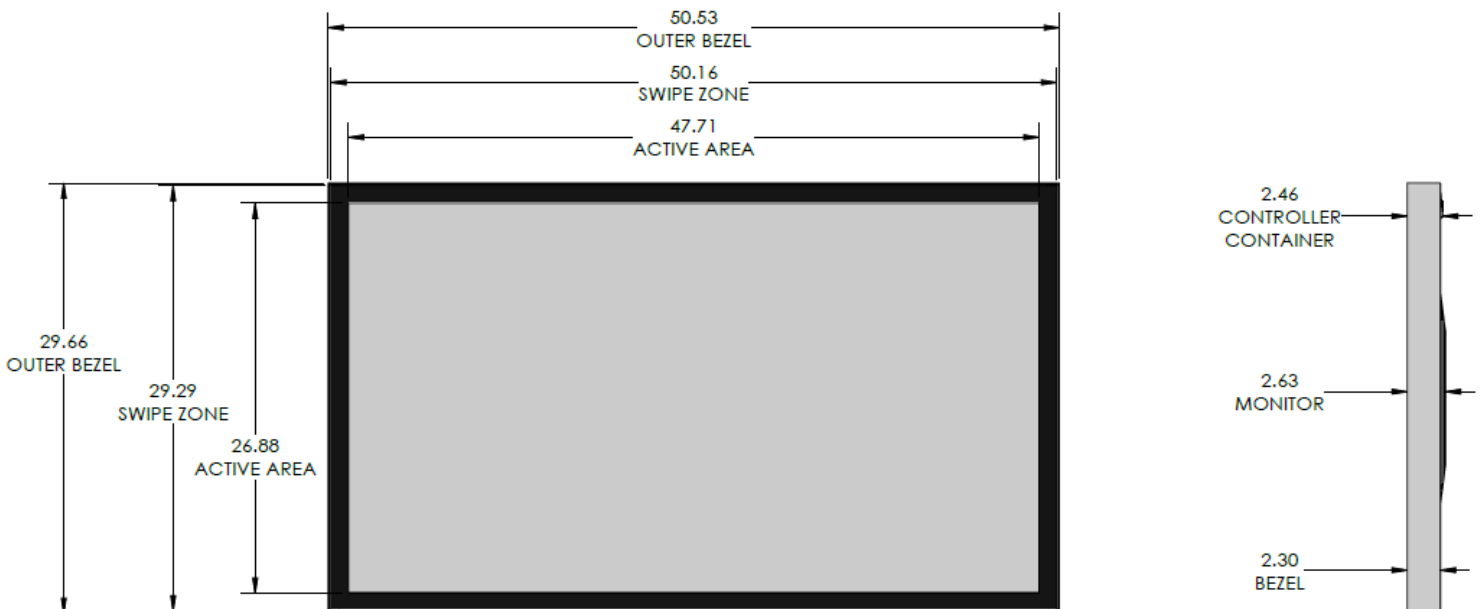
(1) P554/V554 PCAP Overlay

(1) Spare #6-32 Philips flathead machine screw



(1) PCAP Grounding Kit

## 5.0 Dimensional Drawings

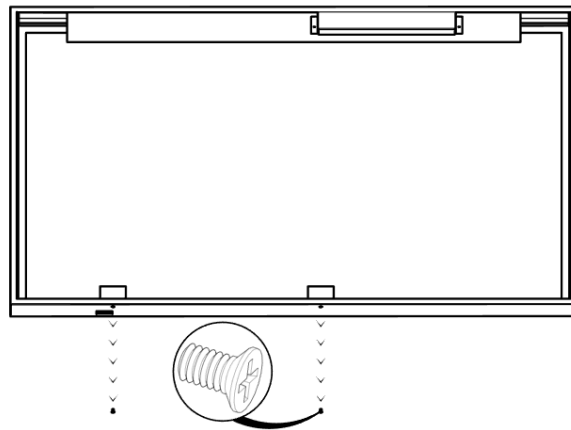


## 6.0 Installation Procedure

6.1 Remove the overlay from the packaging. Place the overlay face down on a padded surface and verify the material contents (see Equipment on Page 2).

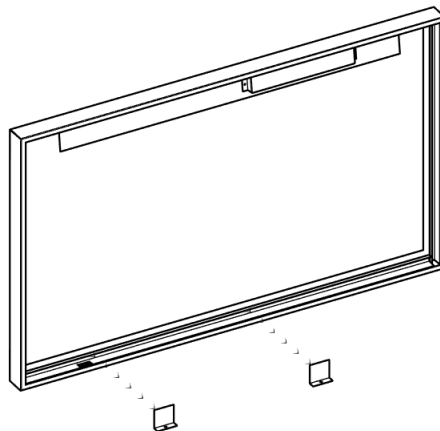
6.2 Use a #2 Philips screwdriver to remove the two (2) #6-32 flathead screws securing the monitor clamp brackets to the overlay.

6.2.1 **Do NOT remove any remaining screws from the overlay.**



6.3 Remove the monitor clamp brackets from the overlay.

6.3.1 Set the screws and brackets aside for re-use in steps 6.10 and 6.11.



6.4 Remove the protective film from the back side of the overlay glass.

**6.4.1 Be sure not to touch the inside of the overlay glass once the film is removed.**

6.5 Use a cloth and mild cleaner to clean **ONLY** the monitor surface.

**6.5.1 Do not use any chemical solvents, such as acidic or alkali solutions.**

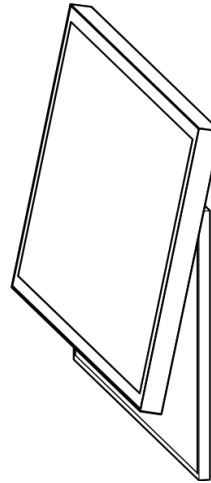
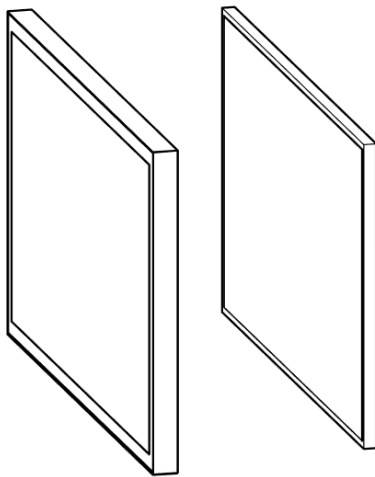
6.5.2 If available, use compressed air after cleaning to remove any lint or dust.

6.6 With the help from at least one partner, **gently** install the overlay on the monitor.

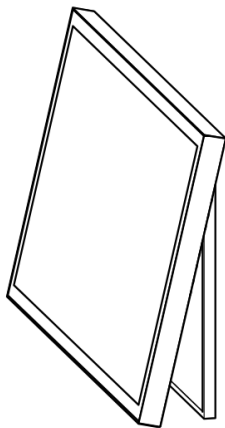
6.6.1 Hook the top bracket of the overlay on the top of the monitor.

6.6.2 Slide the overlay toward the bottom of the monitor. The sides of the overlay will slide past the sides of the monitor.

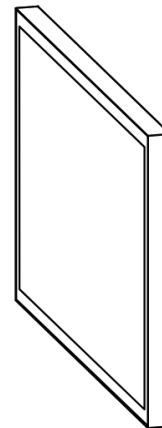
6.6.3 Lower the overlay down to the monitor surface.



Step 6.6.1



Step 6.6.2



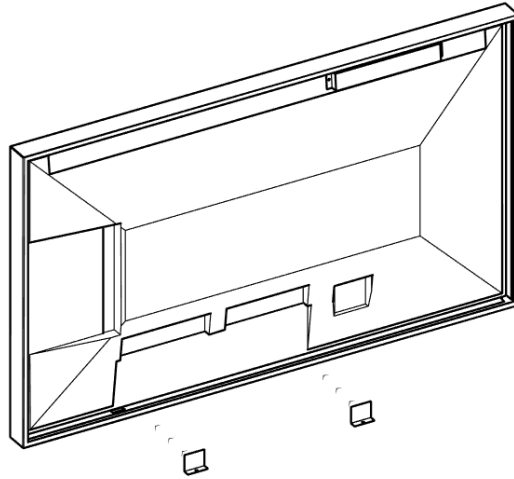
Step 6.6.3

6.7 Be sure the USB cable is toward the top of the monitor and is not crushed or pinched during installation.

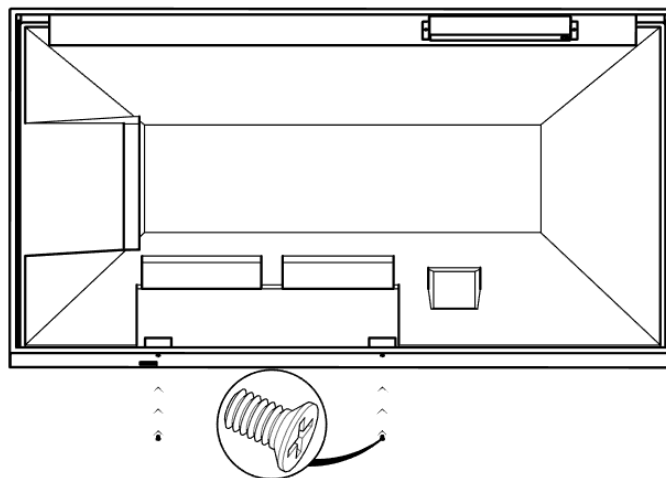
6.8 Be sure not to scratch or damage the monitor or PCAP film while installing the overlay.

6.9 Double check the monitor panel and overlay glass for dirt, smudges, or dust before securing the overlay to the monitor.

6.10 Return the monitor clamp brackets to their original positions.



6.11 Replace the two (2) #6-32 flathead screws to secure the monitor clamp brackets to the overlay.



6.12 The touch overlay is now securely mounted on the monitor. Proceed to the grounding provisions on the following pages to ensure proper touch functionality.

## 7.0 Grounding Provisions

### 7.1 Purpose

The 80-point touch overlay is a very sensitive device that can detect the slightest change to its environment, especially when conductive items are in close proximity. For example, it can sense the difference between a stand alone touch overlay mounted on a monitor and when the monitor and overlay are installed in a kiosk or other enclosure. Insufficient grounding of all conductive components in the overlay's environment may result in random "false touches" or total touch system lock-up/failure.

### 7.2 Grounding Instructions

When a monitor with 80-point overlay is installed in an enclosure or kiosk, the following steps must be taken to ensure correct touch functionality.

- 7.2.1 Place the grounding wire on top of the #6-32 serrated hex nut adjacent to the USB cable output, as shown in figure 8a.



Figure 8a

- 7.2.2 Secure the grounding wire using the provided #6-32 silver hex nut, as shown in figure 8b.



Figure 8b

- 7.2.3 Using a #2 Philips screwdriver, remove the factory screw in the top right corner of the monitor chassis. Secure the other end of the grounding wire to the monitor using the provided M3x10 pan head screw, as shown in figure 8c. The overlay is now grounded to the monitor chassis.

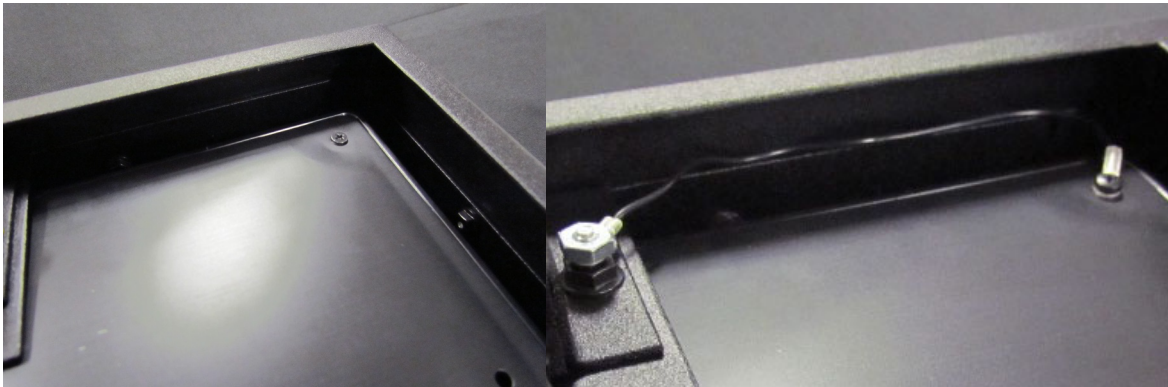


Figure 8c

- 7.2.4 To complete the total system grounding for the overlay and enclosure/kiosk, please review the following:
- a) The enclosure/kiosk, enclosure door, and other overlay mounting system components must all share a single point electrical ground connection with the overlay.
  - b) Installer/technician must determine the best location and method of grounding the enclosure, enclosure door, and other enclosure components as well as the overlay/monitor chassis attached to a single AC power ground connection.
- 7.2.5 After the overlay and enclosure/kiosk are grounded, the 80-point touch screen will need to be reset due to the change in its overall sensing environment:
- a) Unplug the touch overlay's USB cable from the PC or media player.
  - b) Leave the overlay's USB cable unplugged for 10 to 15 seconds.
  - c) Plug the overlay's USB cable back into the PC.
  - d) Wait for approximately 10 to 15 seconds for the system to reset, then test the touch functionality.
- 7.2.6 Touch overlay hardware grounding is complete. Enjoy your new touch capabilities!

