

# AS1 NOR-FT-GO SERIES

## Current Sensing Switches

AS1 NOR-FT-Go Series Current Sensing Switches provide an electromechanical relay contact. The output of this specialized switch allows the sensor to control much more current than other AS1 models. This contact can control loads up to 5 A, AC or DC. Solid-state contacts generally have a much lower capacity, making this sensor much more versatile than most self-powered models. Available in a solid-core case only.



### Current Sensing Switch Applications

#### Electronic Proof of Flow

- Current sensing switches eliminate the need for multiple conduits or duct penetrations and are more reliable than electromechanical pressure or flow switches.

#### Compressor Monitoring

- Detect when the compressor is running.
- Allows for time of use logging; helps maintenance scheduling.

#### Heaters

- Sense system operation.

#### Fan Interlocks

- Sense system operation.
- Use to turn on a duct booster fan when clothes dryer is energized.

### Current Sensing Switch Features

#### Electromechanical Output

- N.O. mechanical output relay for detection of current; closes on current increase.

#### Fixed Setpoint

- Cuts installation and operating costs.

#### Self-powered

- Reduces installation time and costs.

#### Integral Mounting Feet

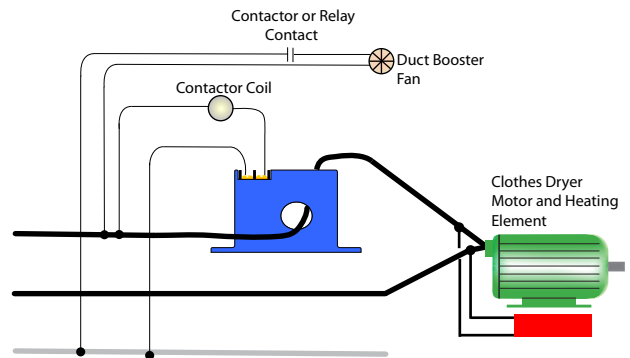
- Built-in feet for direct panel mounting or attachment of DIN rail compatible brackets.\*

#### UL/cUL and CE Approved

- Accepted worldwide.

\*For information on the DIN rail accessories kit, see page 140.

Current Sensing Switch Monitoring a Fan Load

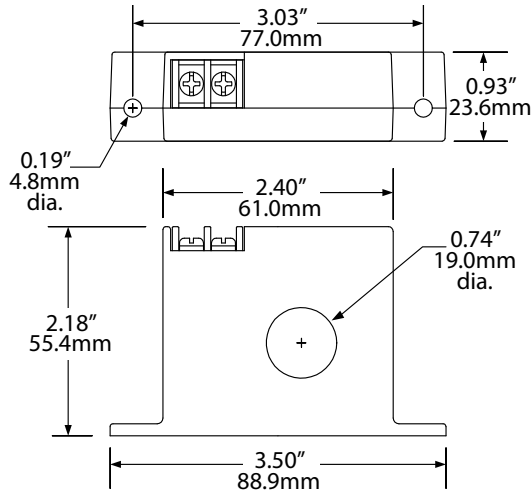


- For additional Application Examples, go to [www.nktechnologies.com/applications](http://www.nktechnologies.com/applications)

**OEMs** Test & Evaluation Units for OEMs  
Free program expedites evaluation process. See page 3 for details.

Current Sensing Switch Dimensions

FT Case



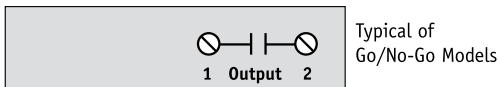
Current Sensing Switch Specifications



<b>Power Supply</b>	None, self-powered
<b>Setpoint Range</b>	Go/No-go 5.8 A (factory set)
<b>Output Description</b>	Electromechanical SPST relay
<b>Output Rating</b>	• 5 A @ 250 VAC • 5 A @ 30 VDC
<b>Response Time</b>	120 ms
<b>Time Delay</b>	None
<b>Hysteresis</b>	8%
<b>Overload</b>	6 sec. @ 400 A, 1 sec. @1000 A
<b>Isolation Voltage</b>	UL listed to 1270 VAC, tested to 5 KV
<b>Frequency Range</b>	6–100 Hz
<b>Case</b>	UL94 V-0 Flammability Rated
<b>Environmental</b>	-4 to 122°F (-20 to 50°C) 0–95% RH, non-condensing
<b>Listings</b>	UL/cUL

Current Sensing Switches

Current Sensing Switch Connections



Current Sensing Switch Ordering Information

Sample Model Number: AS1-NOR-FT-GO  
AC current operated switch, solid-core, non-adjustable trip point (5.8 A), self-powered, normally open relay contact output rated to 5 A. (DIN rail adapters are included)



(1) Output Rating

NOR	Normally Open (mechanical)
-----	----------------------------

(2) Case Style

FT	Solid-core, top terminals
----	---------------------------

(3) Options

GO	Go/no-go version (fixed-setpoint)
----	-----------------------------------

