

## Specifications

Power Supply 24 VAC/DC (+/- 10%) Note: Not isolated from output signal.

**NOTE:** Power Supply and output signal ARE NOT isolated. Do not connect the negative terminals to a common point when using the 24 V powered models.

Power Consumption 120 VAC (+/-10%) Note: Power supply is isolated from output signal.  
Outputs <6.0 VA  
Four outputs, three proportional to the current in that phase, one an average of all three.

Output Signal

Signal Type	Impedance
4-20 mA	<500 $\Omega$
0-5 VDC	>2K $\Omega$
0-10 VDC	>2K $\Omega$

Impedance Limits

Accuracy 1% FS  
Response Time 220 ms (to 90% of step change)  
Frequency Range AT: 50-60 Hz  
ATR: 30-100 Hz

Over Current Limit 6X range setting for one second  
Output Terminals Finger-safe captive screw, 14-22 AWG  
Torque to 5-7 inch-pounds

Isolation Voltage To 1250VAC  
Enclosure ABS, UL94 V0 Flammability rated  
Environmental -4 to 122°F, -20 to 50°C  
Approvals UL/cUL listed E342812

## Model Number Key

**ATR 3 - 420 - 24U - TH**

**Housing Type**  
TH Three Hole

**Power Supply**  
24U 24 VAC/DC (non-isolated)  
120 120VAC (isolated)

**Output Signal**  
420 4-20mA  
005 0-5 VDC  
010 0-10 VDC

**Current Ranges**  
1 0-10, 0-15 and 0-30A  
2 0-30, 0-50, and 0-100A  
3 0-100, 0-150 and 0-200A

**AT:** Average Responding  
**ATR:** True RMS



### Other Available Products Include:

DC Current Switches, Ground Fault Sensors  
AC & DC Current Switches  
Power Transducers  
Current & Potential Transformers (CTs&PTs)



## NK Technologies

3511 Charter Park Drive, San Jose, CA 95136  
Toll free: 800-959-4014, Phone: 408-871-7510  
Fax: 408-871-7515  
sales@nktechnologies.com, www.nktechnologies.com



# INSTRUCTIONS



## AT/ATR-TH Series AC Current Transducer w/Proportional Analog Outputs

### Quick "How To" Guide

1. Mount AT/ATR-TH Current Transducer to DIN rail or panel in suitable enclosure.
2. With monitored load off, install each phase through the sensing windows. Designate one phase as A, B and C.
3. Select the current range using the slide switch.
4. Connect output terminals + and - using 22-14 AWG copper wires rated 70/90°C. Tighten to 5-7 inch-pounds torque.
5. Connect power supply voltage to terminals 9-10
6. The output will be proportional to the current in each phase, plus one which is the average of the three.
7. Any of four analog signals can be used independently, or all four can be used at the same time.

## Description

AT/ATR-TH Series current transducers are intended to monitor consumption of three phase loads. They provide an analog signal proportional to the current in each of the three phases, and another which will be proportional to the average of the three phase currents. The transducer can be mounted on a back panel using screws through the mounting holes in the base or snapped onto a DIN rail. Each model can be set for three current measurement ranges.

## Wiring

### Power Supply:

Connect power supply to transducer as shown in wiring diagram. Use 75/90° C rated copper wire. The power supply terminals are not polarity sensitive. Tighten terminals to 5-7 inch-pounds torque. For 24 volt powered models, use a Class 2 power limited source and fuse at 5 amps maximum.

For 120 volt powered models, fuse at 5 amps maximum.

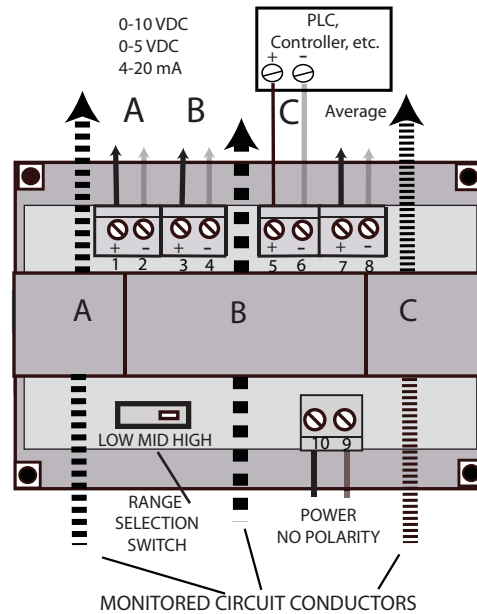
### Output Signal:

Connect positive signal to controller or display using 75/90° C rated copper wire, tighten the terminals on the transducer to 5-7 inch-pounds torque. Confirm that the connected load impedance is less than 500  $\Omega$  for current signals or at least 2K  $\Omega$  for voltage signals.

### Monitored Circuit:

Each of the three phases pass through the three windows of the top section. All conductors should pass through the sensor in the same direction (from the front or the back) for appearance, but not required for accuracy or reliability. If the phases use multiple conductors, all wires of one phase must pass through the same sensing window or aperture. The transducer is designed to monitor circuits to 600 VAC, whether the conductor is insulated or bare. Each aperture has an inside diameter of 0.74" (18.8 mm), allowing 4/0 THHN (120 mm<sup>2</sup>) to pass through easily. Centering the conductor in the aperture is not necessary.

## Wiring Schematic Diagram



Top View

### Application:

Monitoring current is a great tool to use in a preventative maintenance program. All loads are protected against high level of over current with a circuit breaker or fuses, but monitoring over time can detect small increases in current which point to failing bearings or the need for lubrication. Detecting under current conditions is just as important, but much more complicated than over current detection. If a pump has a blocked or restricted intake or discharge, the drive motor will draw less than normal current. The pump is not pushing the product as it was designed, but moving only the product in the impeller cavity. A pump with an open intake or discharge will also draw less than normal current. Either condition can cause a lot of damage, but when the discharge is open, some very hazardous material can be spread quickly. Under current is also seen when a belt breaks, comes off the sheave grooves or needs to be tightened; or if a coupling shears or is loose.

## Troubleshooting

### 1. Sensor has no output:

- Power source is not energized or connected to the transducer. Check voltage at terminals 9 and 10. 24V models do not have isolation between the power and the output signals.
- The monitored circuit is not energized or drawing current. Check that the monitored circuit is energized.
- Polarity is not properly matched. The output signals are polarity sensitive, and the result would be no signal through the HMI or whatever is reading the transducer outputs.

### 2. Output Signal Too Low

- The transducer range may be too high to read the monitored circuit current. Select a model with a lower range, or loop each conductor through the sensing windows to increase the current through each aperture.
- Power supply may not enough capacity to operate the transducer outputs. use a power supply with at least 6VA available to operate the transducer.

### 3. Outputs are always at the minimum (4mA or zero volts)

- The Monitored load is not energized or is not AC. Be sure that the monitored circuit is AC with a frequency between the model limits (AT average responding 50 to 60 hertz, RMS models 30 to 100 hertz).

### 4. Outputs are always at the maximum (20mA or 5 or 10 volts)

- The Monitored load is drawing more current than the transducer range. Select a model with a higher range, or set the range selection to a higher range. Be very careful when selecting the model to suit the application. Check the range selection slide switch. Check the actual current used with a hand held ammeter, and set the range accordingly.