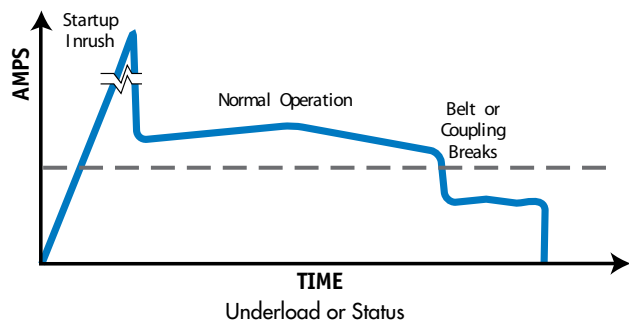


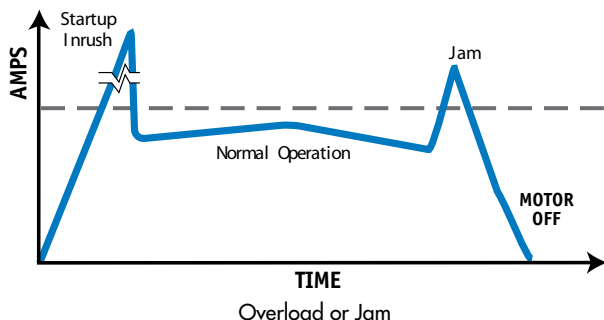
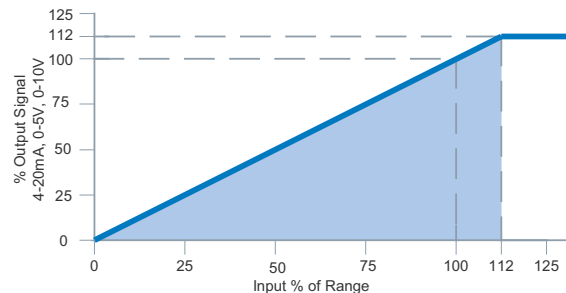
# SUPPLEMENTAL ILLUSTRATIONS

## Sample Output/Power Supply

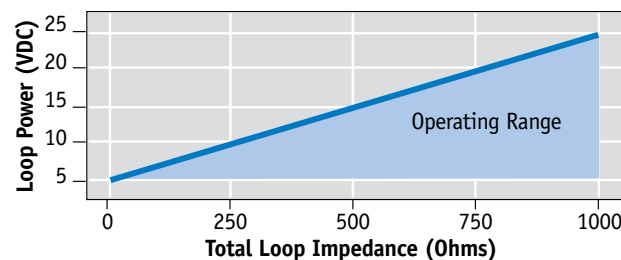
### AS1, AS3, ASX, ASXP Series



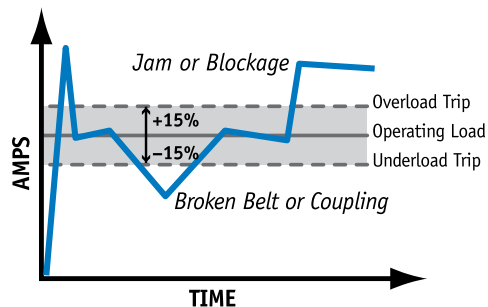
### AT/ATR, ATP/ATPR Series



### AT Series Power Supply

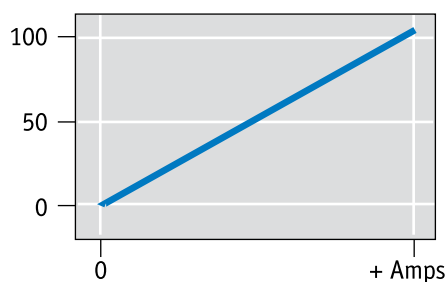


### ASM Series

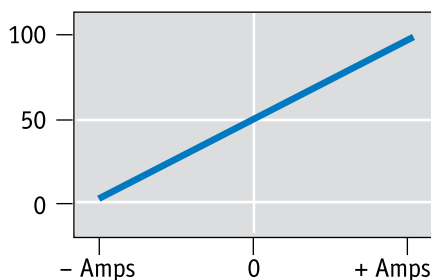


### DT Series Output Polarity

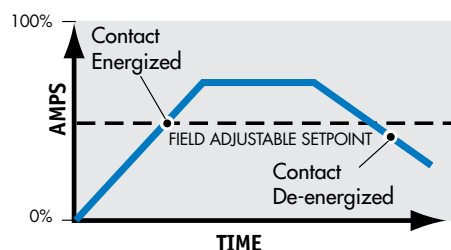
#### Output (%) Unipolar (Magnitude Only)



#### Output (%) Bipolar (Magnitude Only)

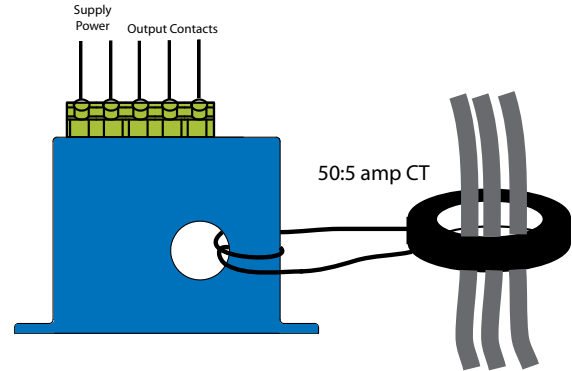
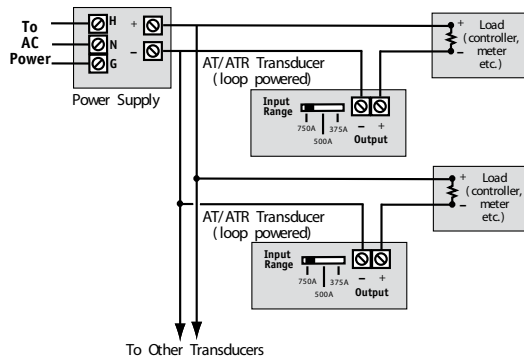


### DS3 Series



Supplemental Illustrations

## Supplemental Applications

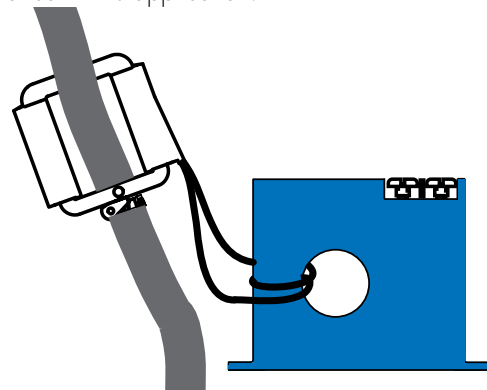
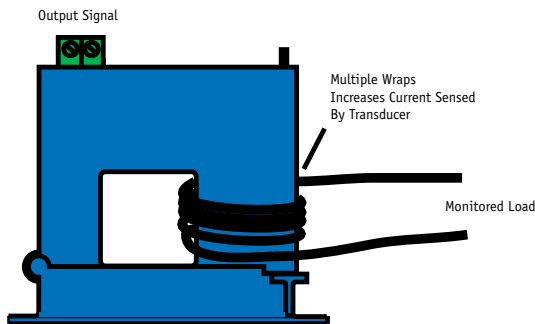


### Powering Multiple Transducers From a Single Supply

For applications where multiple loop-powered (4-20mA output) transducers are installed, it may be cost-effective to power multiple transducers from one power supply as shown.

### Use of Auxiliary CT to Monitor Fault Currents in Large Conductors

By using an auxiliary CT to fit around large conductors, ground fault currents of 25mA and up may be sensed by using multiple turns of the CT secondary through the aperture of the ground fault sensor as shown. As the number of turns required varies based on CT value, desired trip points and sensor setpoint, contact factory for assistance in this application.



### Sensing Ultra Low Currents with AT/ATR Series Transducers

In an instance where the monitored current is well below 1A nominal, it may be practical to wrap the conductor through the aperture multiple times to magnify the signal. For transducer applications, care must be taken to correctly scale PLC/Controller inputs to correct values as each pass of the conductor through the aperture increases the amperage sensed by the transducer. For example, a 100mA signal passed through 5 times will be read as a 500mA signal and yields an output signal of 8mA on an ATO and ATRO Series transducer.

### Two-Piece Solution for Sensing Current in High Amperage or Large Conductor Applications

For situations where conductor size and/or current rating exceed sensor or transducer specifications, an auxiliary CT can be used in conjunction with an AS Series current switch or AT/ATR Series current transducers. As shown in above, the 5A secondary of a 1200:5 split-core CT is passed through the aperture of an NK sensor with the trip point or output set accordingly.

