

AGL SERIES

Large Aperture Ground Fault Relays

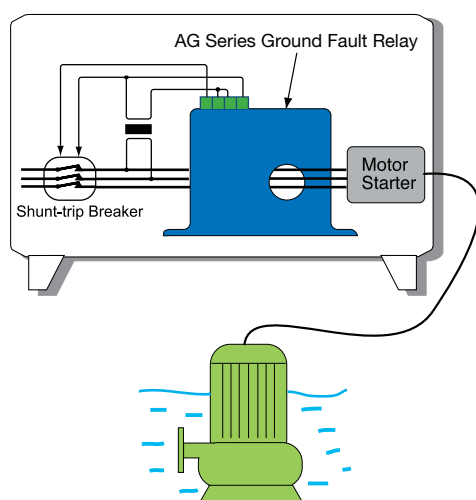
AGL Series are large aperture ground fault relays that offer one of the largest aperture diameters in the industry while maintaining a compact overall profile. Intended for sensing earth leakage in applications up to 300 A, the AGL Series offers a choice of N.O. or N.C. latching relays or an SPDT Form C relay with auto-reset. Case features integral DIN rail mounting as standard and optional noise immunity coatings for applications in harsh EMI/RFI environments.



Ground Fault Protection Applications

- Replace bulky two-piece sensor solutions which require separate CTs or relay modules.
- Use with shunt trip breakers to provide total ground fault protection to sensitive machine electronics.
- Detect ground faults in resistance/impedance heating, industrial automation and control, theatrical lighting, portable power distribution, and snow melt/heat trace applications.
- Sense progressive levels of ground fault in motors or heating systems to detect deterioration prior to catastrophic failure.

Moisture Ingress on a Submersible Pump Motor



- For additional Application Examples, go to www.nktechnologies.com/applications

OEMs

Test & Evaluation Units for OEMs

Free program expedites evaluation process. See page 1 for details.

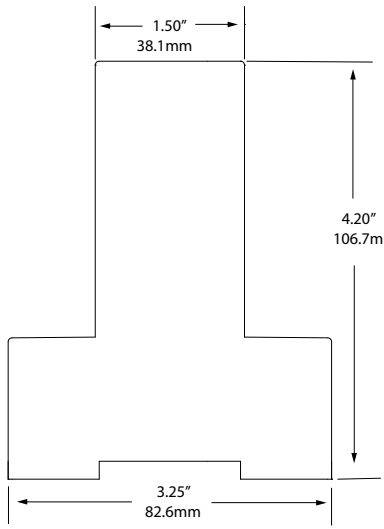
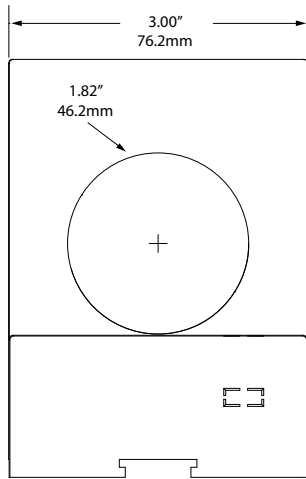


Ground Fault Protection Features

- Integral DIN rail mount with spring loaded mounting clips.*
- Setpoint options include factory-adjustable setpoint from 5 mA –100 mA or “TR3 Tri-Set” models with field-selectable 5/10/30 mA settings.
- Finger-safe terminals for worry-free installation and operation.
- Aperture orientation is perpendicular to DIN rail, allowing for clean and efficient wiring and minimizing space between multiple components.
- Choice of dependable latching SPST or SPDT (form C) electromechanical relay outputs.
- Uses “Zero Sum” operating principle to reliably sense imbalance in magnetic fields associated with current leakage to ground.
- Typical response times from 15 ms to 200 ms.
- Integral “push-to-test” button with LED indication of contact status.
- UL/cUL and CE Approved. Accepted worldwide.

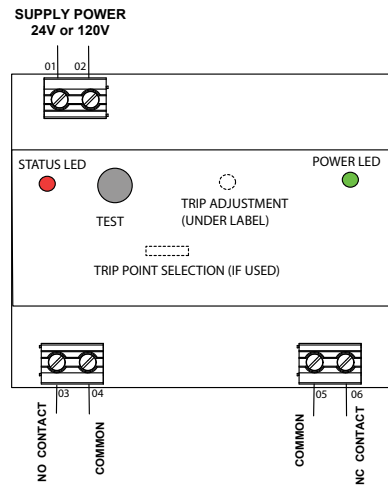
*For information on the DIN rail accessories kit, see page 122.

Ground Fault Protection Dimensions

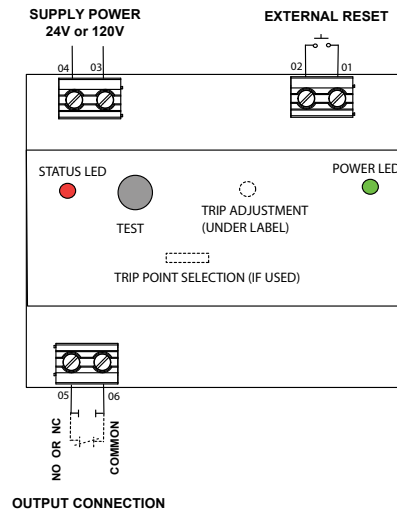


Ground Fault Protection Connections

Auto-Reset



Latching



Ground Fault Protection Specifications



Power Supply	<ul style="list-style-type: none"> • 120 VAC (66–132 V) • 24 VAC (19–29 V)
Power Consumption	<2 VA
Setpoint Range	Factory-calibrated models (specify when ordering): <ul style="list-style-type: none"> • AGL1: 5–100 mA (005–100) • AGL2: 80–950 mA (080–950) TR3 “Tri-set” models (field jumper select): <ul style="list-style-type: none"> • AG3: 5, 10, or 30 mA
Output	Electromechanical SPDT relay
Output Rating	1 A @ 125 VAC, 2 A @ 30 VDC
LED Display	<ul style="list-style-type: none"> • Green LED = Power On indication • Red LED = Tripped Output Relay indication
Response Time	<ul style="list-style-type: none"> • 200 ms @ 5% above trip point • 60 ms @ 50% above trip point • 15 ms @ 500% above trip point
Time Delay	None
Noise Immunity	<ul style="list-style-type: none"> • EMI/RFI Shielding • Power supply noise filtering
Isolation Voltage	UL listed to 1270 VAC, tested to 5 KV
Frequency Range	50–60 Hz (monitored circuit)
Case	UL94 V-0 Flammability Rated
Mounting	DIN rail mounting
Environmental	-4 to 122°F (-20 to 50°C) 0–95% RH, non-condensing
Listings	UL/cUL, CE

Output Tables

Normally Energized Models (-ENE Option)

Protection from faults and control power loss.

	Control Power Applied		
	No Power	No Fault	Fault
N.C. Normally Closed	closed	open	closed
N.O. Normally Open	open	closed	open

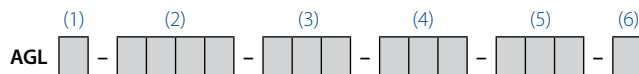
Normally De-energized Models (-DEN Options)

Protection from faults only when power is applied.

	Control Power Applied		
	No Power	No Fault	Fault
N.C. Normally Closed	closed	closed	open
N.O. Normally Open	open	open	closed

Ground Fault Protection Ordering Information

Sample Model Number: AGL1-NOR-120-LA-005
Ground fault relay with normally open SPST latching relay output, 120 VAC power supply and 5 mA trip point.



(1) Setpoint Range

1	5–100 mA factory set
2	80–950 mA factory set
3	5/10/30 mA jumper set

(2) Output Type

NCR1	Normally Closed SPST Relay Form B (Available only with -LA option)
NOR1	Normally Open SPST Relay Form A (Available only with -LA option)
SDT1	SPDT Relay (Form C) with auto-reset (Available only with -DEN and -ENE options)

(3) Power Supply

120	120 VAC
24U	24 VAC/DC

(4) Options

ENE	Normally Energized, auto-reset (SDT1 output only)
DEN	Normally De-energized, auto-reset (SDT1 output only)
LA	Latching (NOR1 and NCR1)

(5) Setpoint

TR3	Tri-set
005 to 950	Factory set trip point in mA

(6) Noise Immunity

N	Noise Immunity
	None (blank)

Ground Fault Protection

