

Nest Easel and Expanding Nest Easel

Part Numbers: 785E-DD, 785E-HH

OVERVIEW:

The Nest Easel comes in magnetic and laminate markerboard option and with removable panels that make the unit an Expanding Nest Easel.

MARKERBOARD:

The 28.75" x 40.75" magnetic markerboard is constructed of a 1/4" MDF core with 28 gauge painted steel on both sides and an aluminum frame. The 28.75" x 40.75" laminate markerboard is constructed of 1/4" melamine with an erasable laminate surface on both sides and aluminum frame.

FRAME:

The frame is constructed of 1.5" diameter 16Ga round tube with black plastic end caps. The upper and lower 16Ga cross members utilize threaded steel inserts to attach to the outer vertical tubes by M6 x 60mm low profile socket head screws. Vertical frame tubes are also attached to the 24" long round tubular feet by M6 x 60mm low profile socket head screws. Upper and lower vertical members are assembled using four (4) M6x15mm low profile socket head screws. The standard 16Ga perforated steel storage box is assembled using four (4) M6 x 30mm low profile socket head screws and M6 x 18mm low profile socket head barrel nuts. Welded marker tray is constructed of 16Ga steel and features a rolled edge for convenience and safety.

CASTERS:

A standard dual wheel 50mm casters including 2 locking and 2 non-locking.



ACCESSORIES:

Plastic flip chart hooks are standard. The Expanding Nest Easel can be accessorized with removable 18" x 24" double sided markerboard melamine panels. Each removable panel is attached the frame by a plastic holder. Panels are an additional purchase and can be stored in the perforated metal storage box.

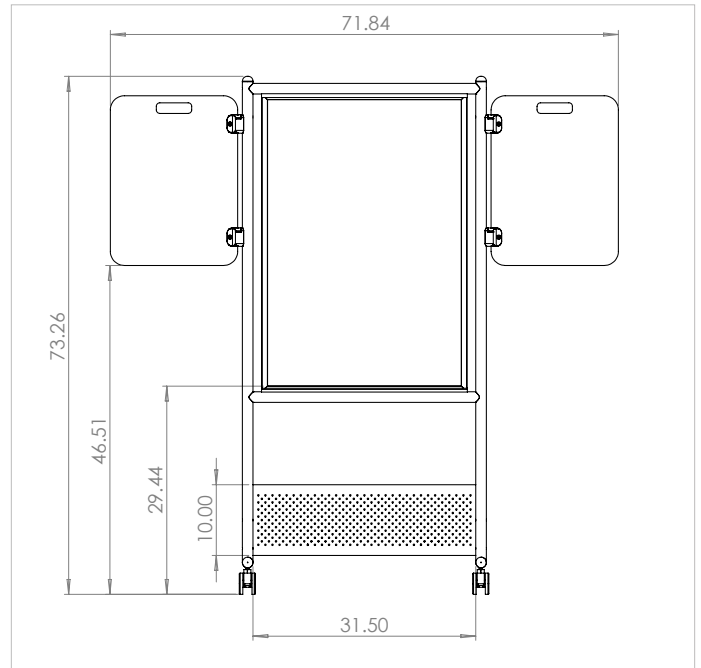
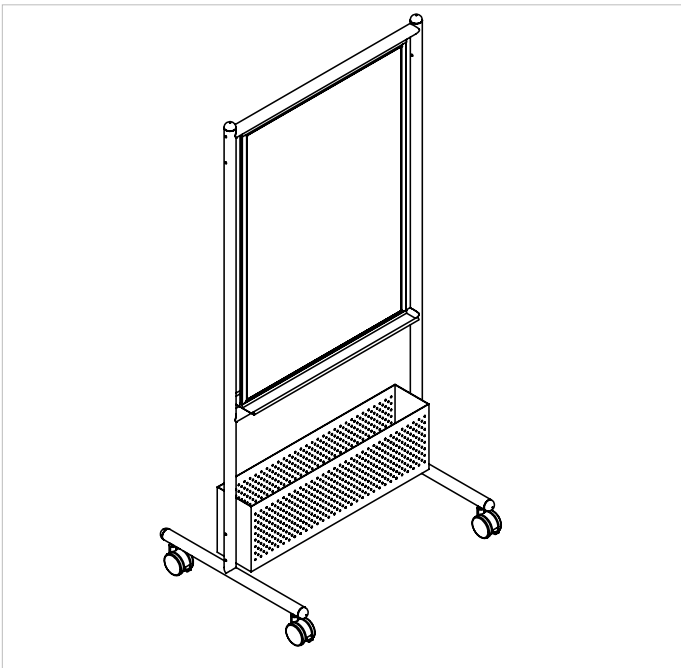
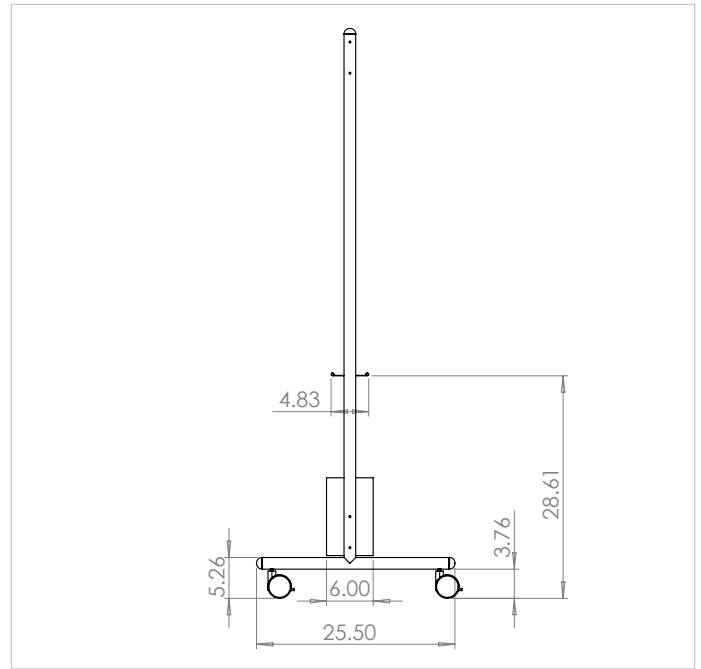
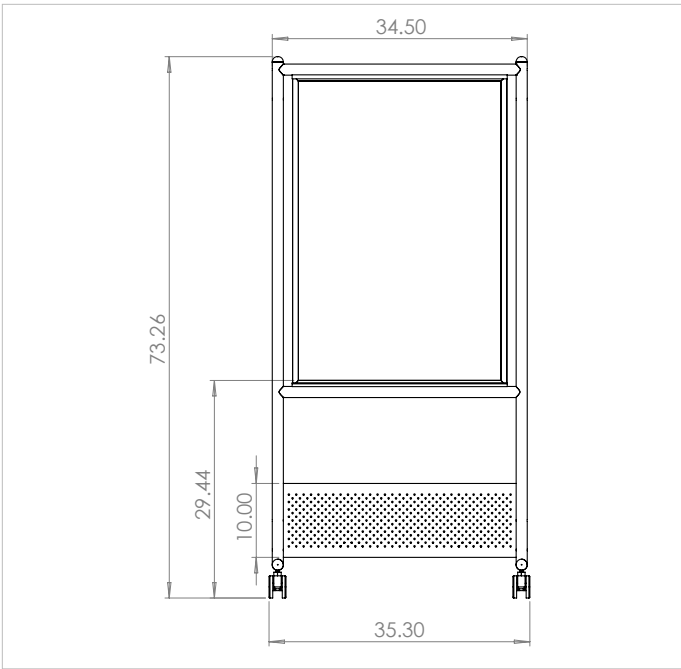
COMPLIANCE:

Indoor Gold Advantage certified.

FRAME COLOR:



Gray



DIMENSIONS:

Base Model No.	Description	Overall - Height "	Overall - Depth "	Overall - Width "	Weight - lbs.
785E-DD	Magnetic Expanding Nest Easel	73.26"	25.5"	34.5" / 71.84"	69
785E-HH	DuraRite Expanding Nest Easel	73.26"	25.5"	34.5" / 71.84"	57

ACCESSORIES:

Base Model No.	Description
785EP-1	Removable Panels (1)
785EP-4	Removable Panels (4)



MOORECO INC.
 2885 Lorraine Avenue | Temple, TX 76501
 p: 800.749.2258 | f: 866.888.7483
www.moorecoinc.com