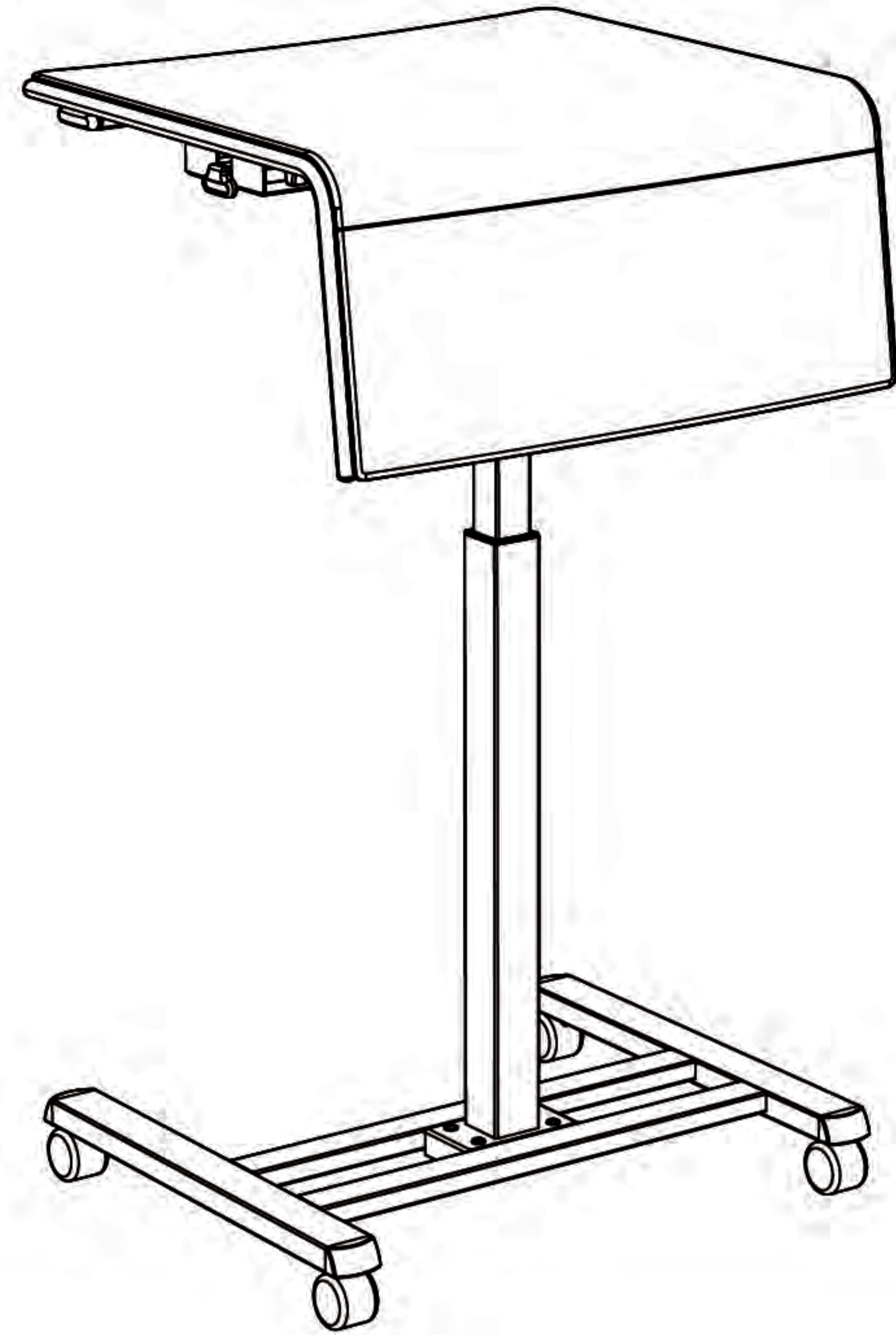


Sit Stand Students Desk Pro

Instructions

www.nationalpublicseating.com



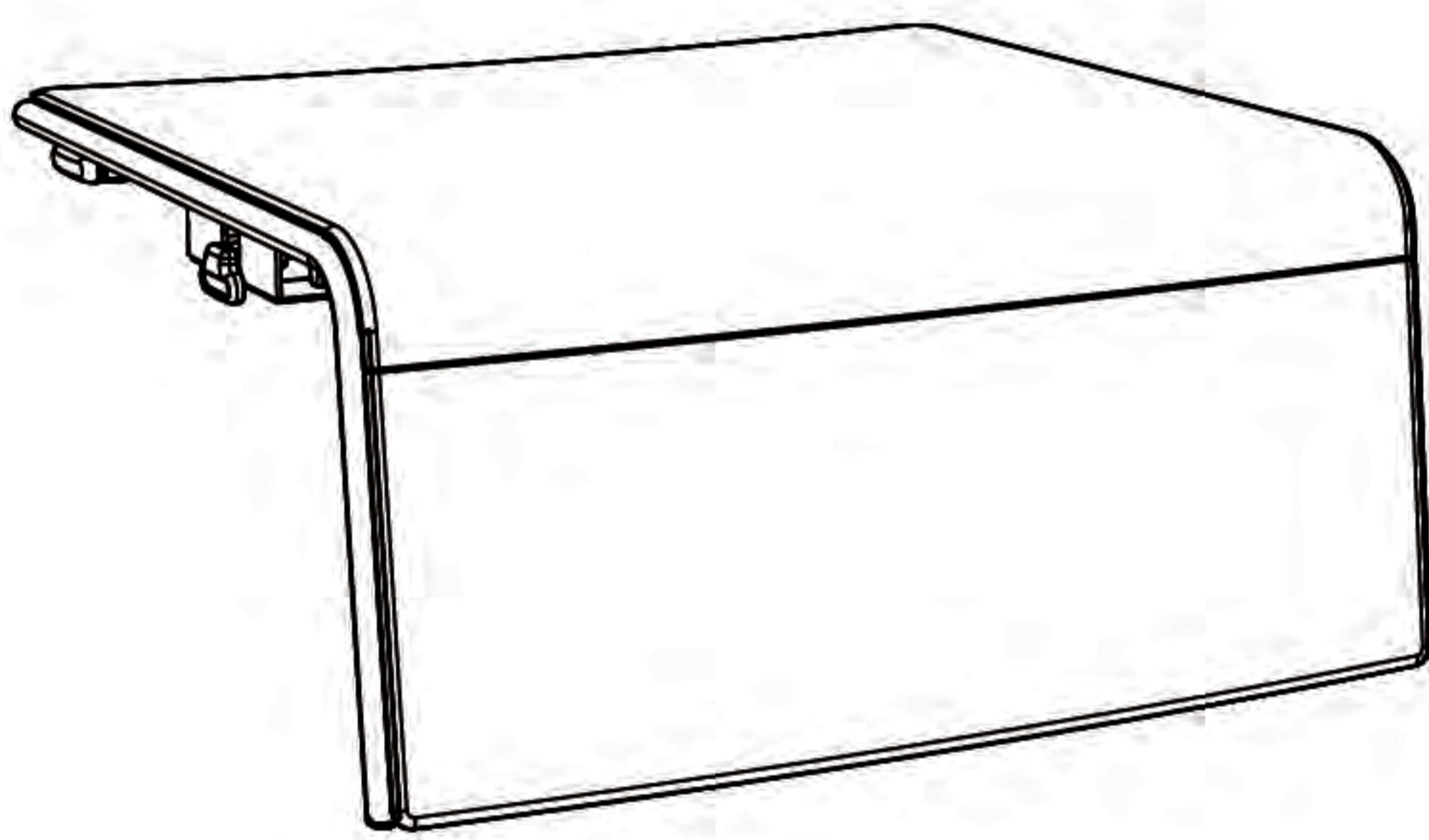
Dear Customer,

Thank you for your purchase.

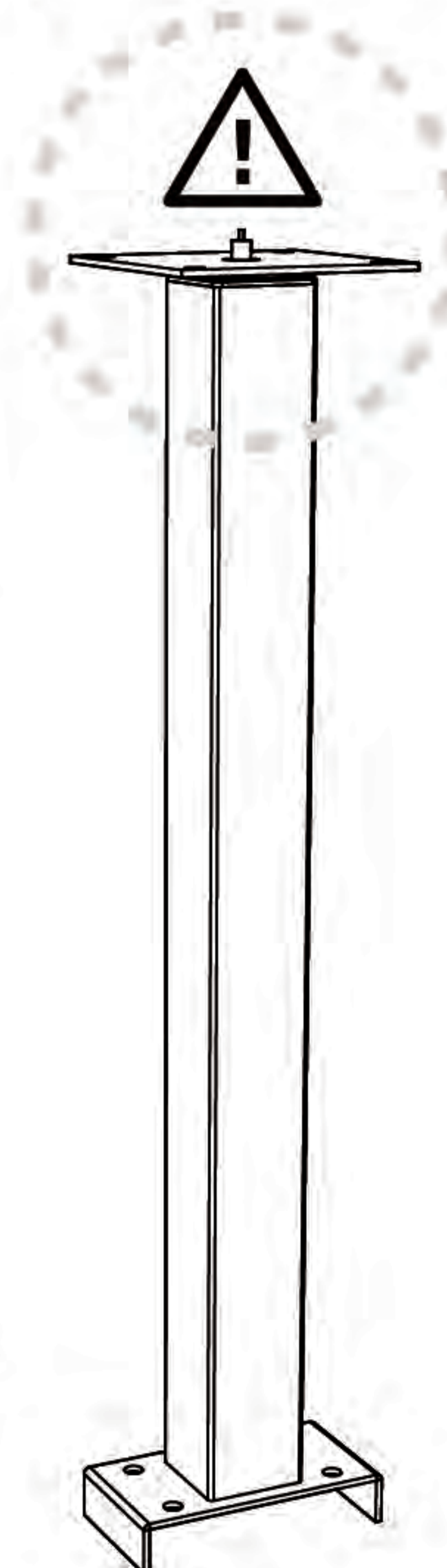
Although extreme care goes into manufacturing & packaging of this product, mistakes are possible. If you encounter any missing parts or difficulty in assembly, etc. please call our customer service TOLL FREE at 1-800-261-4112 or email service@nationalpublicseating.com for courteous & immediate resolution to your problem.

Parts List

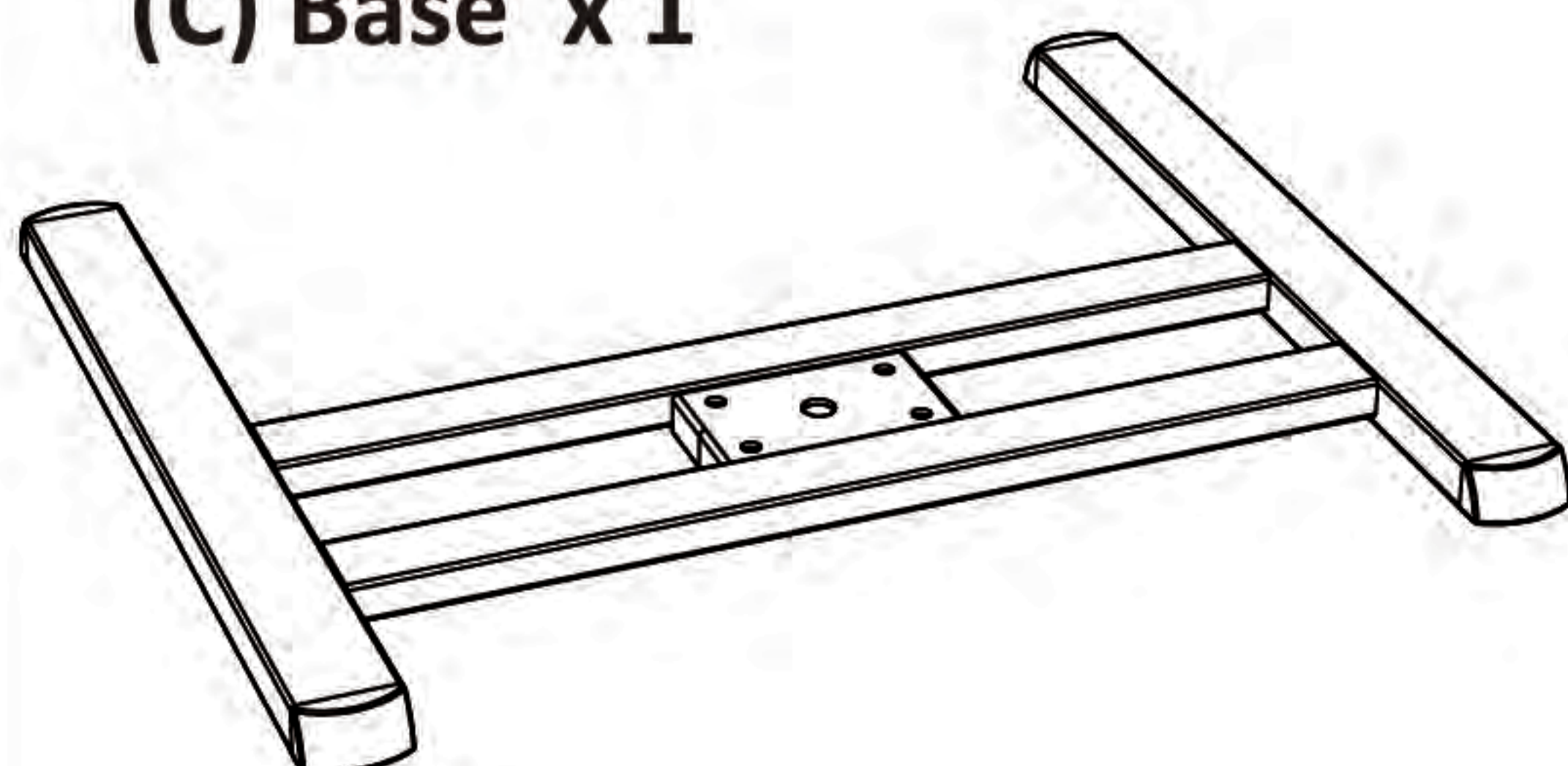
(A) Table frame x 1




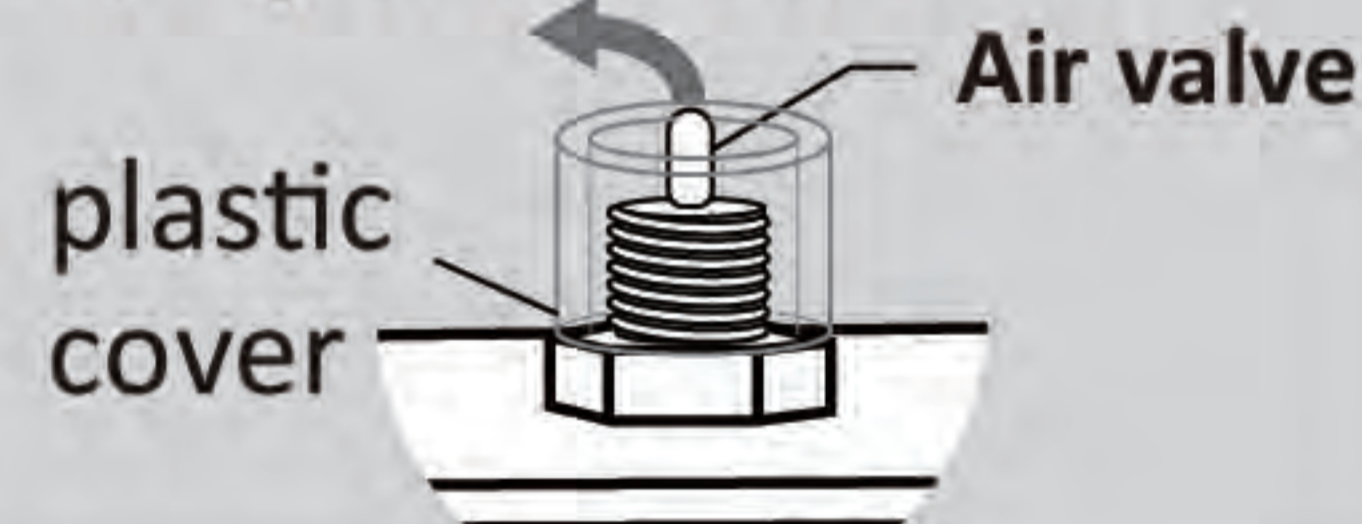
(B) Column x 1



(C) Base x 1



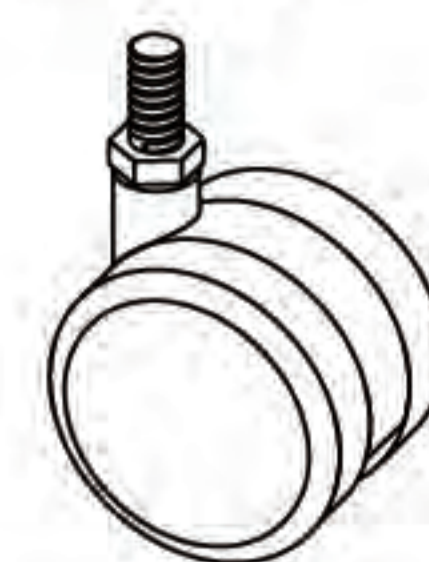
 Remove the plastic cover before assembly. Be careful not to press the air valve or hold the Column with the air valve facing down. This can be dangerous as it may cause unintentional raising of the Column.



(D) screws x 8



(E-1) caster x 2



(E-2) Locking caster x 2



Tool List

(F) allen key

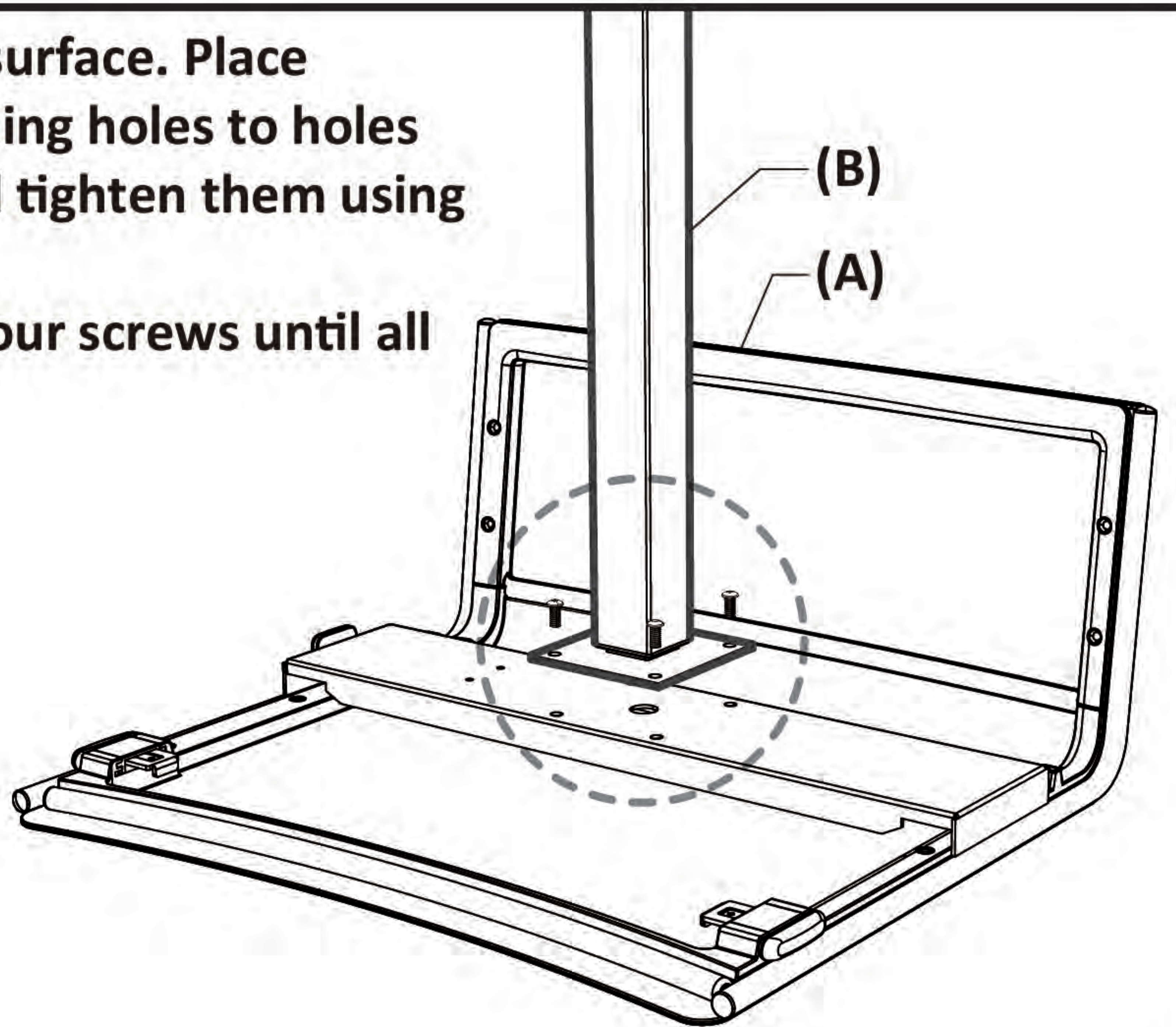
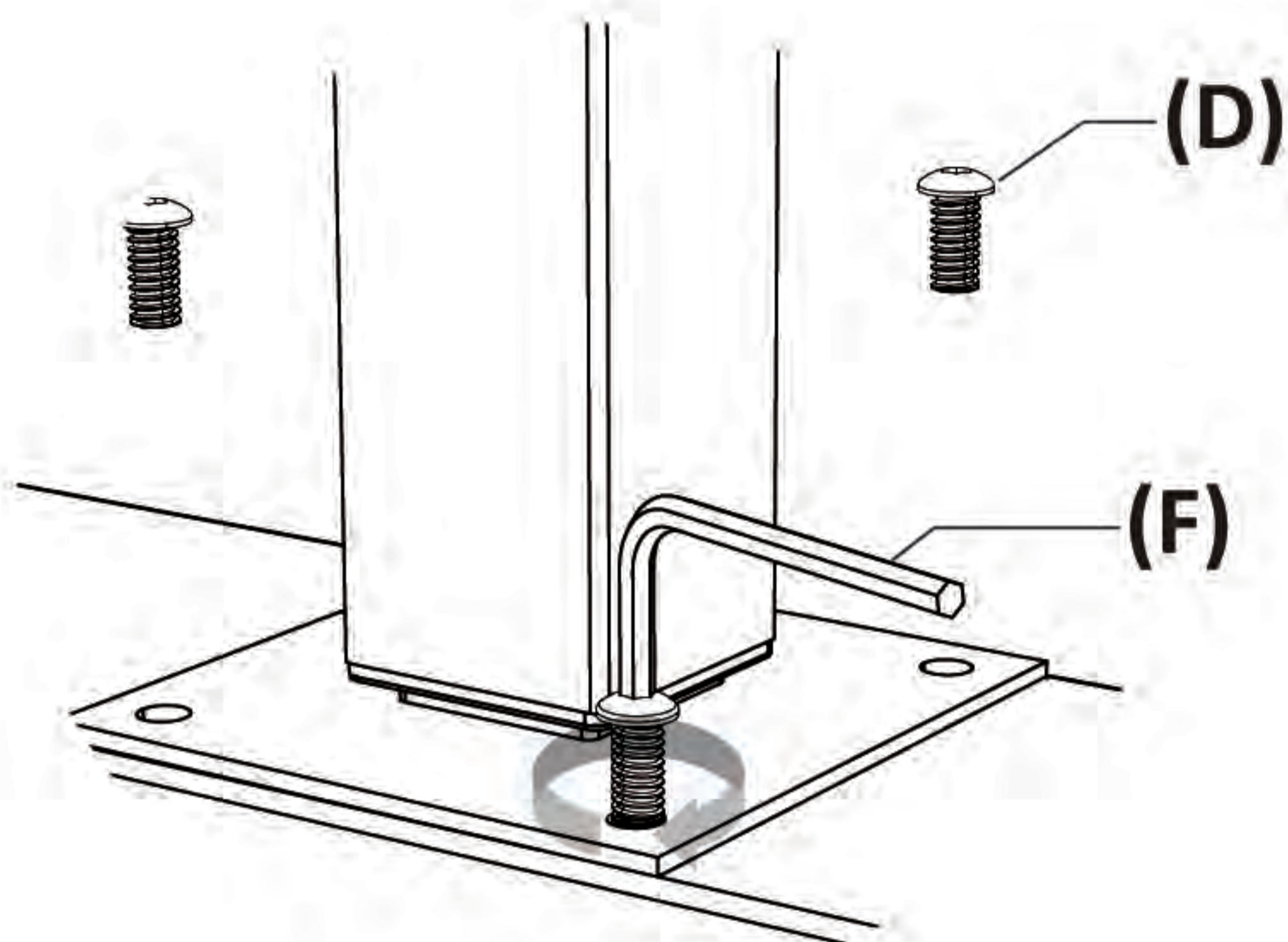


(G) wrench

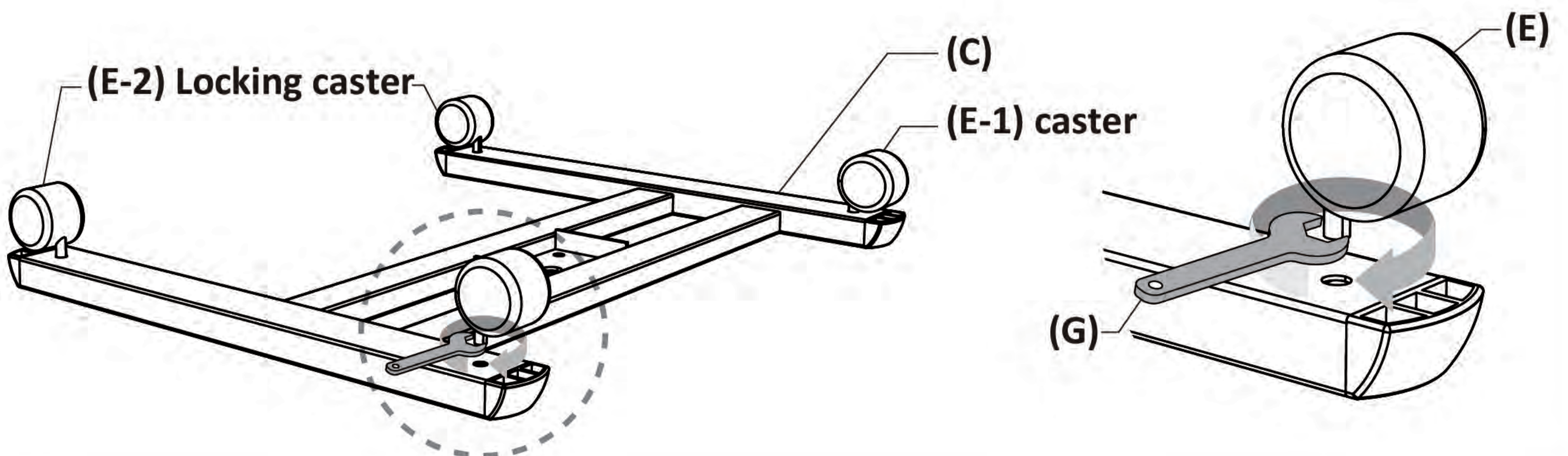


1 Place Table frame (A) on a flat and clean surface. Place Column (B) on the table frame while aligning holes to holes on table frame. Insert four screws (D) and tighten them using enclosed Allen Key (F).

*For best results, don't fully tighten the four screws until all of them have been inserted.



2 Place Base (C) upside-down on a flat and clean surface. Insert two non-locking casters (E-1) at side closer to base cross frames and two locking casters (E-2) on other end of base. Firmly tighten casters using enclosed Wrench (G).



3

Turn over Table frame with connected Column. Align the holes on bottom of Column with the holes on the cross frames of the Base (C). Insert four screws (D) and tighten them using enclosed Allen Key (F).

*For best results, do not fully tighten the four screws until all of them have been inserted.

