

## Other PRC units



PRC100



PRC300

Also Available from Oklahoma Sound Corp.



MODEL #111 PLS



MODEL # 950/901/910



MODEL #222

To see our full line visit [www.oklahomasound.com](http://www.oklahomasound.com)

### OKLAHOMA SOUND CORP.

149 Entin Road, Clifton, NJ 07014

Tel: 973-594-9000 • Fax: 973-594-9339

Web-Site [www.oklahomasound.com](http://www.oklahomasound.com) • e-mail: [info@oklahomasound.com](mailto:info@oklahomasound.com)



# PRC200

## INSTRUCTION MANUAL



Model # PRC200



## OKLAHOMA SOUND CORPORATION

Lecterns With Built-In Sound Systems

Dear Valued Customer,

Thank you for your purchase. Although extreme care goes into manufacturing and packaging of this product, mistakes are possible. If you encounter any missing parts or difficulty in assembly, etc. please call our toll free customer service line at 1-800-261-4112 for courteous and immediate resolution to your problem.

Sincerely,

OKLAHOMA SOUND CORPORATION

149 Entin Road, Clifton, NJ 07014 • 973-594-9000 • Fax 973-594-9339 • e-mail: [info@oklahomasound.com](mailto:info@oklahomasound.com)

## Required Tools for Assembly

1) Crescent Wrench

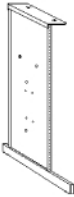
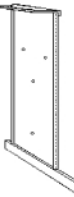





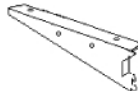
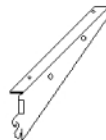



# Touchboards

205 Westwood Ave, Long Branch, NJ 07740









Phone: 866-94 BOARDS (26273) / (732)-222-1511

Fax: (732)-222-7088 | E-mail: [sales@touchboards.com](mailto:sales@touchboards.com)

Part	Description	Qty
<b>A</b>	 Right Side Assembly	1 Each
<b>B</b>	 Left Side Assembly	1 Each
<b>C</b>	 Top Shelf	1 Each
<b>D</b>	 Laptop Shelf	1 Each
<b>E</b>	 Middle Shelf	1 Each
<b>F</b>	 Lower Shelf	1 Each
<b>G</b>	 Back panel	1 Each
<b>H</b>	 Right Shelf Bracket	1 Each
<b>I</b>	 Left Shelf Bracket	1 Each

Part	Description	Qty
<b>J</b>	 Powerstrip	1 Each

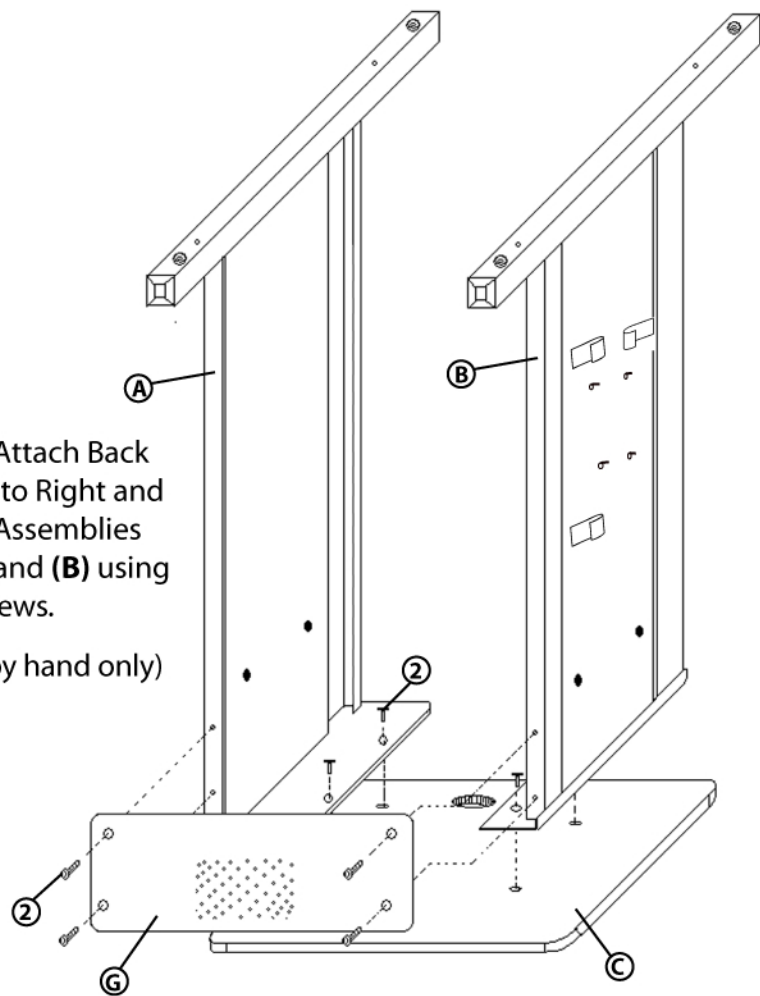
### Hardware List

<b>1</b>	 L Bracket	4 Each
<b>2</b>	 1/2" Socket Screw	20 Each
<b>3</b>	 2 1/2" Socket Screw	4 Each
<b>4</b>	 Nut	4 Each
<b>5</b>	 Caster	2 Each
<b>6</b>	 Locking Caster	2 Each
<b>7</b>	 Plastic Grommet	2 Each
<b>8</b>	 Allen Wrench	1 Each

Identify and separate all parts and hardware before assembling unit. We recommend assembling unit on a secured raised surface, such as a tabletop. This will make the process of assembly easier.

**Step 1:** Place Top Shelf (C) upsidedown with insert nuts facing up.

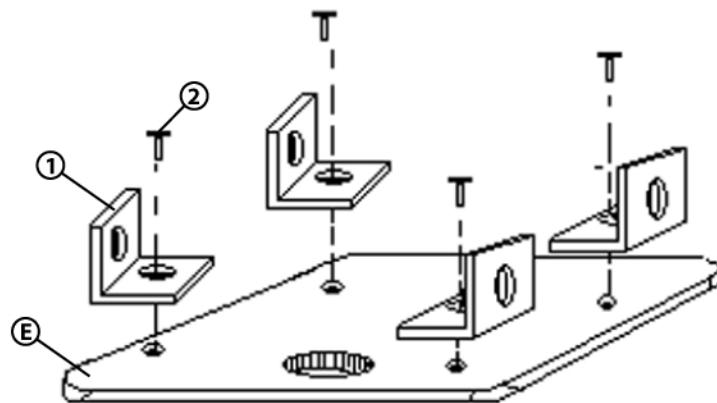
**Step 1A:** Attach Right Side Assembly (A) and Left Side Assembly (B) using 4 # (2) screws.



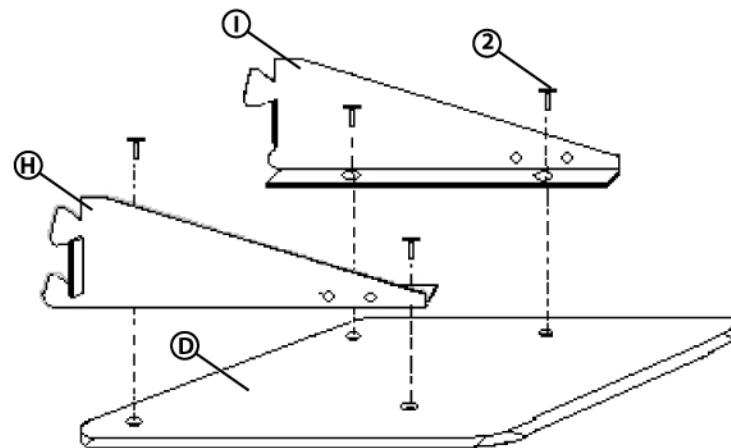
**Step 1B:** Attach Back panel (G) to Right and Left Side Assemblies parts (A) and (B) using 4 # (2) screws.

(tighten by hand only)

**Step 2:** Align 4 L Brackets (1) with the edges of Middle Shelf (E) and attach using 4 # (2) screws as below. Note: Tight screws by hand.



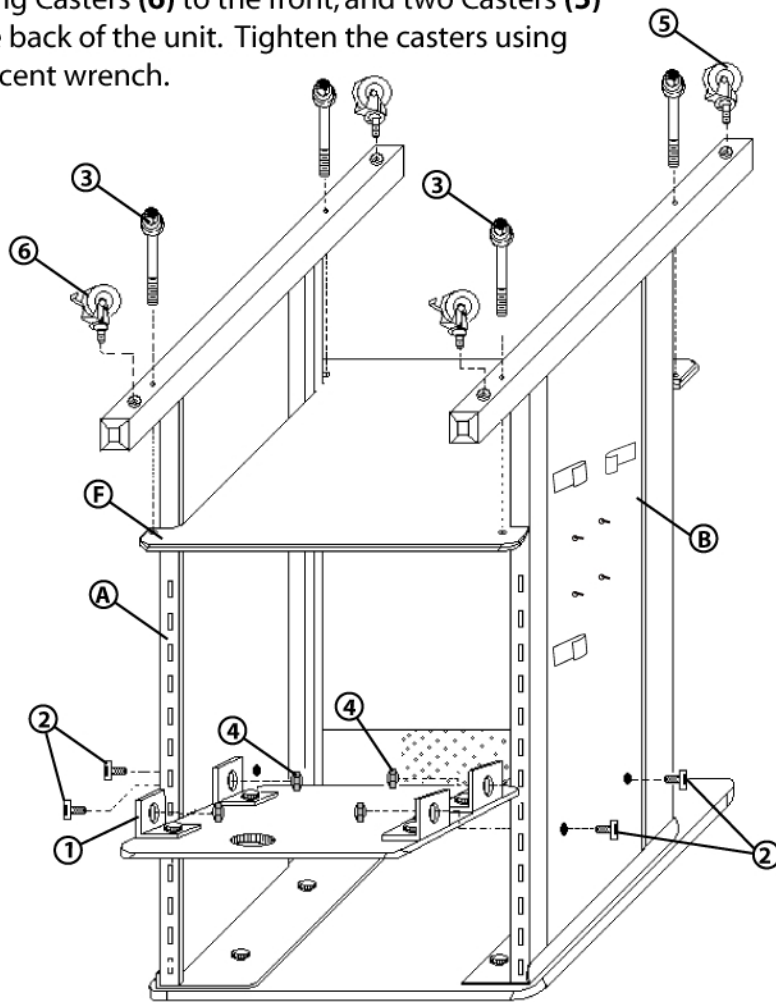
**Step 2A:** Attach Right Shelf Bracket (H) and Left Shelf Bracket (I) to Laptop Shelf (D) using 4 # (2) screws as below.



**Step 3 :** Attach Lower Shelf (F) to the right and Left Side assemblies (A and B) using 4 # (3) screws.

(tighten by hand only)

**Step 3A:** Attach 2 Locking Casters (6) to the front, and two Casters (5) to the back of the unit. Tighten the casters using a crescent wrench.

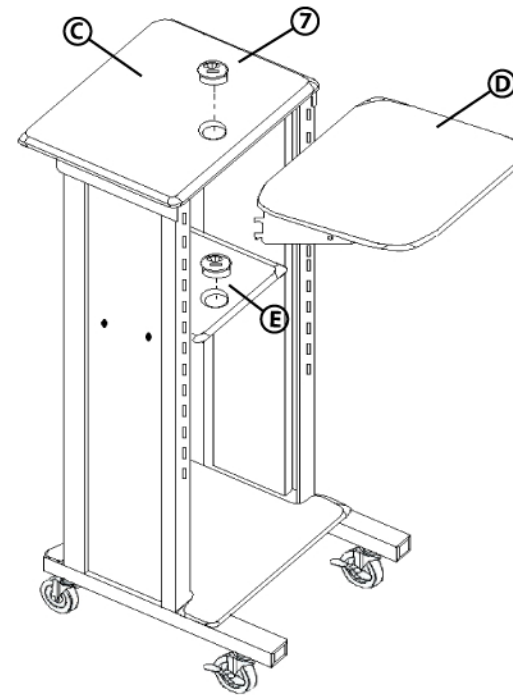


**Step 3B:** Slide Middle Shelf (E) Between Right and Left Side Assemblies (A and B) and attach using 4 # (2) screws and 4 # (4) nuts as shown above. Tighten all screws well using the Allen wrench.

**Step 4 : Turn over unit**

**Step 4A:** Install Grommets (7) in Top Shelf (C) and in Middle Shelf (E).

**Step 4B:** To Adjust Laptop Shelf (D) lift shelf and remove and place at desired height.



**Step 4C:** Install Powerstrip (J) onto Right Side Assembly (B) using the attached mounts. Cord can be suspended using attached hooks.

