

GRS Guard Rail

Installation Instructions

Tools Required

Hammer



Crescent (adjustable) Wrench



Drill with 3/8" drill bit



Included Hardware

5/16"-18 T-nut



5/16"-18x1" Bolt

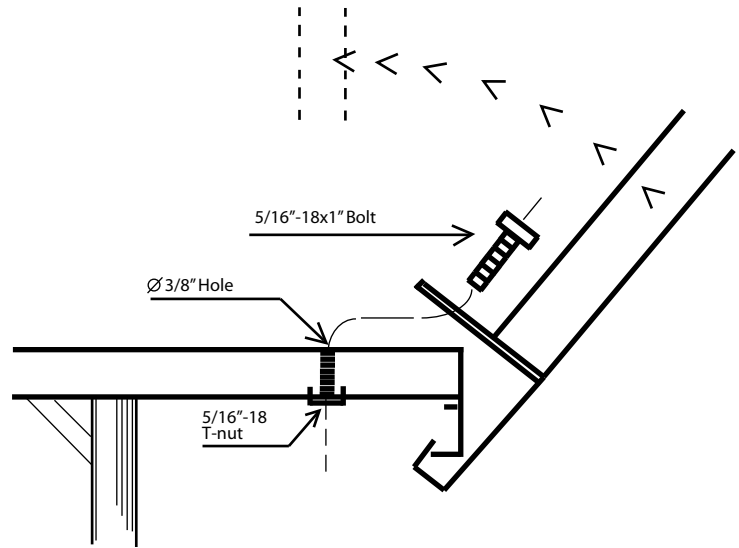


Figure 1

Step 1: Put the guard rail on the stage in the desired position. Hook it onto the edge of the stage platform and rotate it up into place as pictured in Figure 1.

Step 2: Using the 3/8" Diameter holes in the guard rail bracket as a guide, drill a 3/8" hole into the stage top at each bracket location as pictured in Figure 2.

Step 3: Remove the guard rail and turn the stage over. Hammer a T-nut into each hole from the bottom of the stage.

Step 4: Turn the stage right side up. Hook the guard rail back on, and secure with the 2 bolts provided.

Step 5: Once the holes have been drilled and the T-nut installed, the guard rail can be installed by hooking it to the stage and securing with two bolts provided.

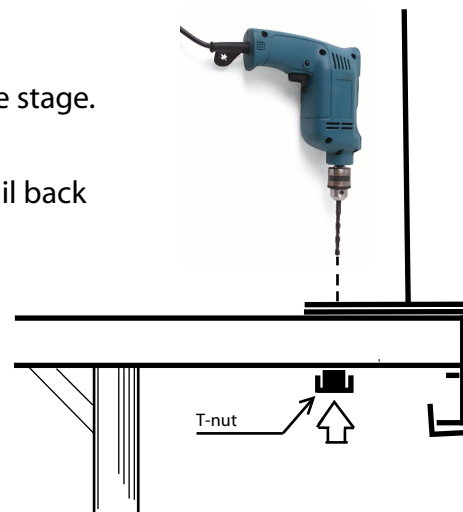


Figure 2

Removing the guard rail: Remove the two bolts using a crescent wrench and unhook the guardrail from the stage platform.

**National Public
SEATING Corp.**

149 ENTIN ROAD, CLIFTON, NJ 07014
TEL 973-594-1100 | FAX 973-594-1500
e-mail: info@NationalPublicSeating.com