

GTRPR

Guard Rail

(For use with model TP72 and TPR72)

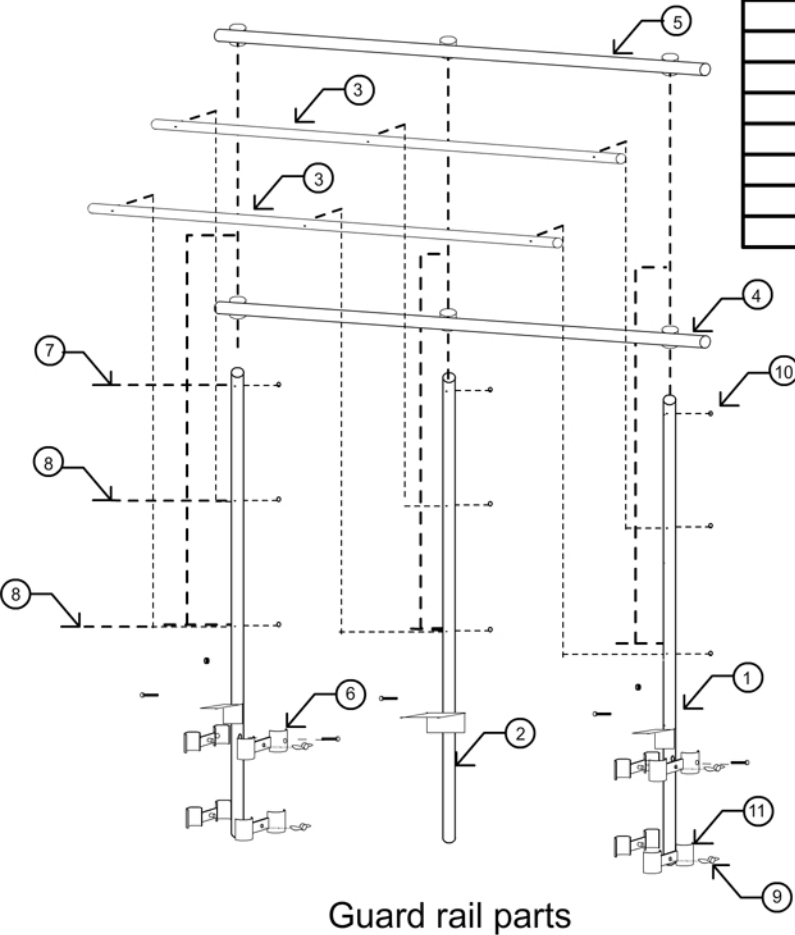
Tools Required

2 Adjustable Wrenches

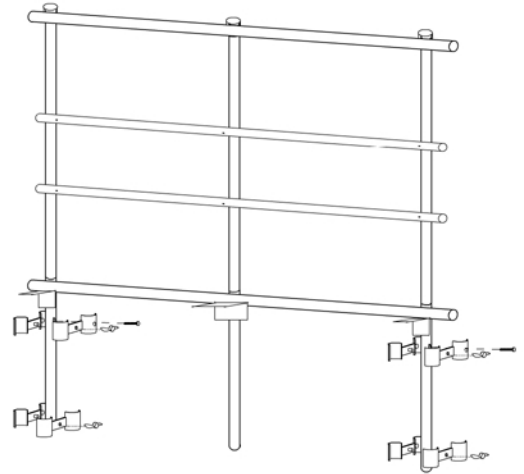


Installation Instructions

Included Parts		
Item #	Description	Qty
1	Upright assembly back rail	2
2	Center upright assembly back rail	1
3	1.00" Dia horizontal tube assembly	2
4	1.25" Dia horizontal tube assembly	1
5	1.25" Dia horizontal tube assembly	1
6	Ganging Clamp (w/ holes)	2
7	1/4-20 x 2" hex cap screw	3
8	1/4-20 x 2.75" hex hd cap screw	6
9	Wing nut	4
10	1/4-20 hex lock nut	14
11	Ganging Clamp (no holes)	2
12	1/4-20 x 2" hex cap screw	2



Guard rail parts



Assembled guard rail

**National Public
SEATING Corp.**

149 ENTIN ROAD, CLIFTON, NJ 07014
TEL 973-594-1100 | FAX 973-594-1500

e-mail: info@NationalPublicSeating.com

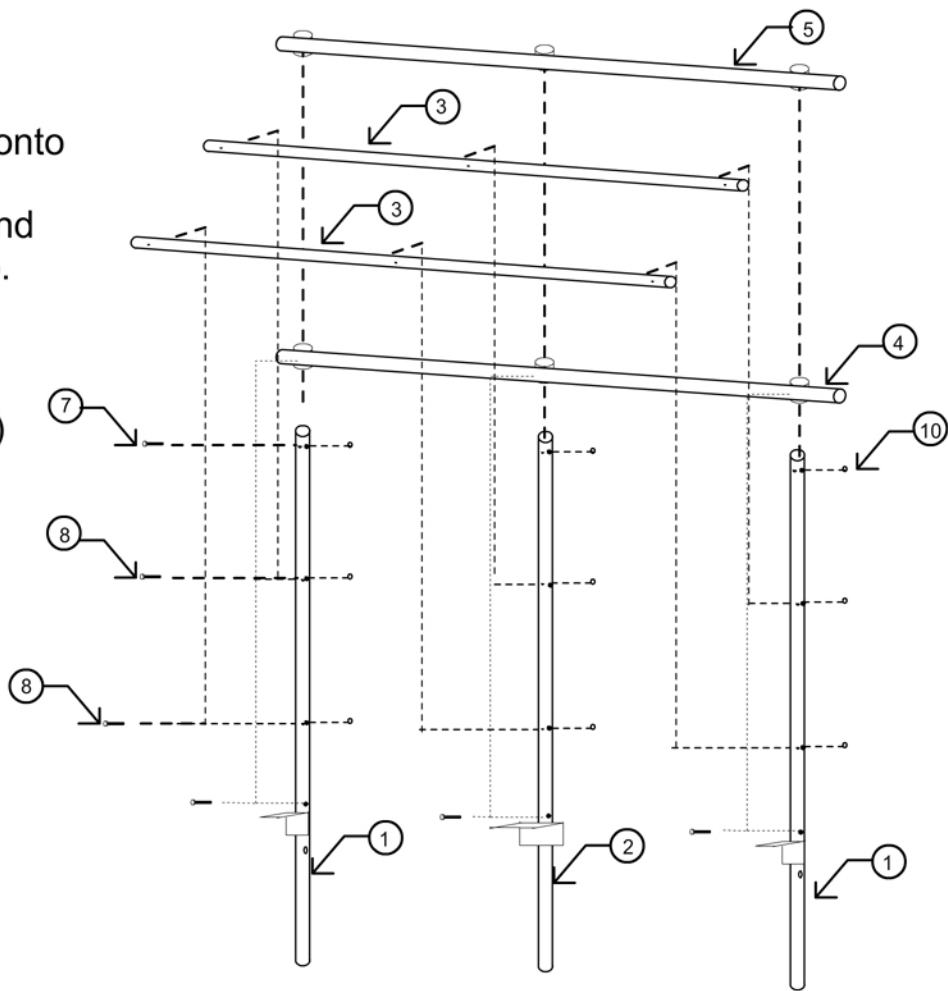
Part 1: Assembly of Guard Rail

Step 1: Slide the 1.25" dia horizontal tube assembly (4) onto the three uprights and secure using the 2" hex screws (7) and three 1/4-20 hex lock nut (10).

Step 2: Fasten the 1.25" dia. Horizontal Tube assembly (5) to the three uprights using three 2" long bolts (7) and secure using three lock nuts (10).

Step 3: Fasten the Horizontal Tube Assemblies (3) to the uprights. The bolt should point toward the back of the unit. Use six 2.75" long bolt (8) and secure using six lock nuts (10). Tighten all six nuts and bolts using a adjustable wrench.

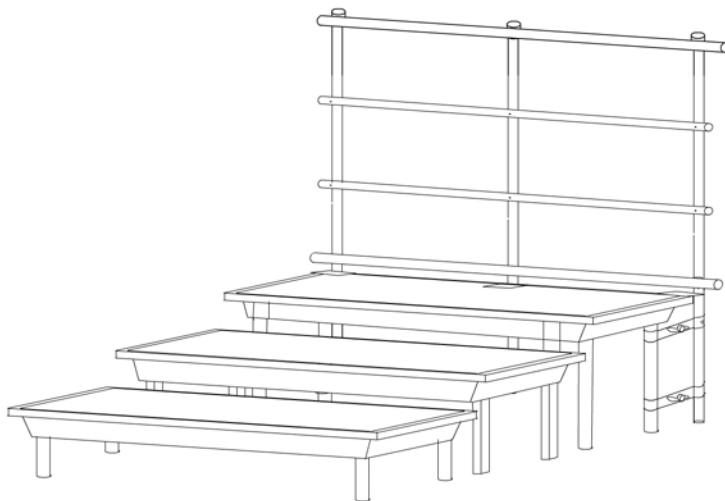
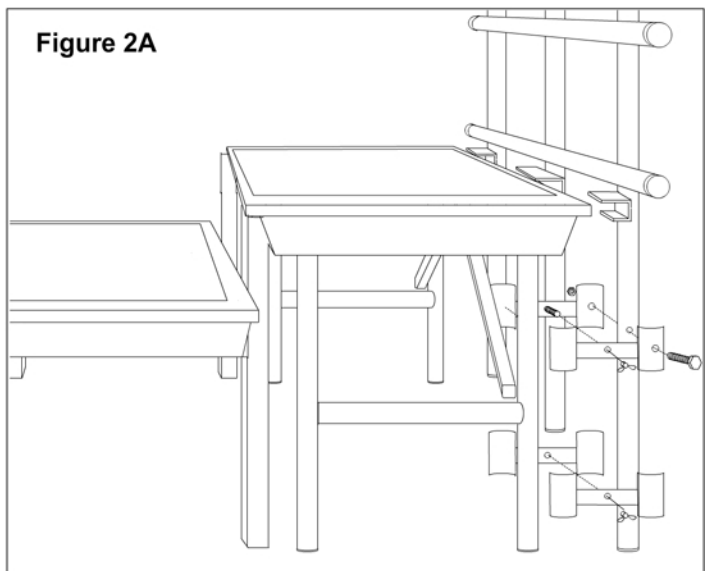
Step 4: Make sure all hand-tightened bolts have been tightened well using the adjustable wrench.



Part 2: Attach Guard Rail to Riser

Step 5: Align the assembled guard rail behind the legs of the top level of the trans-port riser assuring that clamps are secured to the unit. Attach the guard rail connectors to the riser set by aligning the ganging clamp (6) to the hole on the guard rail and secure using bolt (7) and lock nut (10). Use wing nut (9) to secure middle bolt on ganging clamp (6). Repeat for ganging clamp (11). See **Figure 2A**. Repeat for each side of the guard rail.

Note: When using the **GRTPR** with the **TPR72**, replace the four ganging clamps with the ones that are labeled **for use with TPR72**.



Guardrail Assembled to Trans-port Riser