



The Greystone Sound Lectern

ASSEMBLY MANUAL



Model # GSL-S

INTRODUCTION

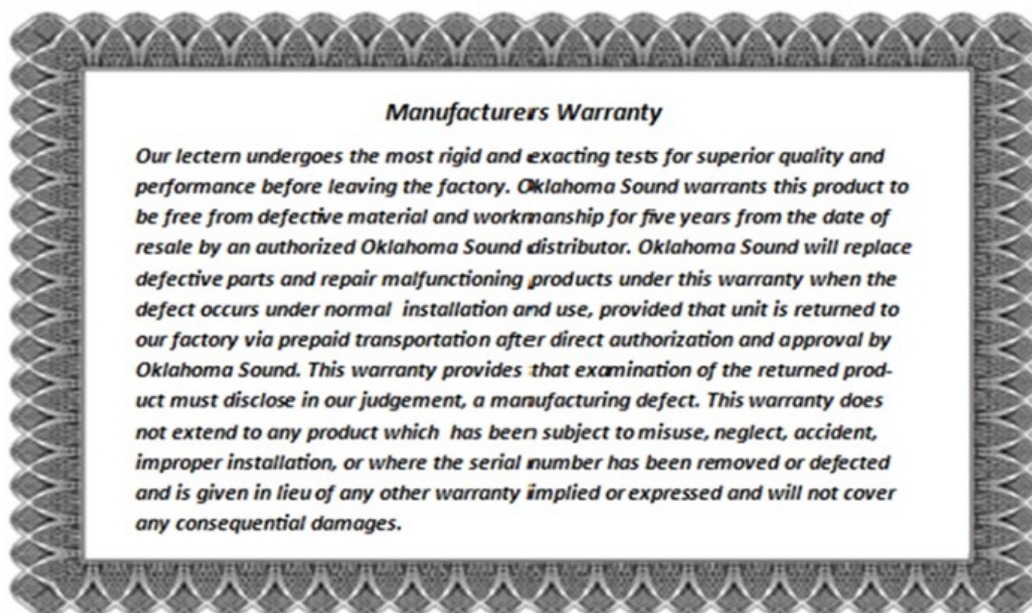
Congratulations on your purchase of the Model GSL-S Lectern. The perfect lectern that provides an all-in-one presentation experience for the smallest to largest venues. This beautifully handcrafted lectern is built with durable steel parts along with a curved plywood top. The unit is equipped with a 50 watt multimedia amplifier with two built in 8" speakers and includes microphones with a shock mount holder. The unit includes two side pull-out shelves and a sliding keyboard tray. The lockable storage cabinet is equipped with two shelves for ample storage. The unit moves easily with four 3-inch double hooded casters.

Dear Valued Customer,

Thank you for your purchase. Although extreme care goes into manufacturing and packaging of this product, mistakes are possible. If you encounter any missing parts or difficulty in assembly, etc. please call our toll-free customer service line at 1-800-261-4112 for courteous and immediate resolution to your problem.

Sincerely,

OKLAHOMA SOUND



TECHNICAL SPECIFICATIONS

Power Output50W RMS at 10% THD
Mic.....Elect Condenser Mic (2)
Aux..... 150 mV 220k
Frequency.....100HZ-25KHZ
Response.....+ 3dB

Power Supply.....110-120V ohms DC 10.8 12V
Fuse.....2A normal
Output.....8 ohms
Accessories..... Handheld mic, clip-on-mic; gooseneck; Shock mount mic holder

ASSEMBLY TIPS

- ◆ Do not use a sharp instrument such as a knife or screwdriver to open the packaging, as this may scratch or damage the unit.
- ◆ All assembly should be done on a clean protected surface such as a carpet or the like.
- ◆ Make sure that you have all the required parts. (A list of all the parts is listed below).
- ◆ Read the instructions carefully and follow the diagrams to ensure an easy and correct assembly.

ASSEMBLY INSTRUCTIONS

Tools Required

- ◆ Philips head screwdriver or power Screwdriver
- ◆ Wrench (included)

Parts (Hardware)

Packet #1

- ◆ 2 black knobs.....



- ◆ 2 Philips head knob screws...



Packet #2

- ◆ 4 door pivots.....



- ◆ 2 keys for door lock.....



Packet #3

- ◆ 12 Philip zinc plated 12mm screws...



- ◆ 8 Philip-head black 10mm screws.



- ◆ 12 Philip-head black 15mm screws...



- ◆ 2 Philip-head 25mm screws.....



Parts for Sound system

- ◆ Amplifier



- ◆ Hand-held Microphone (Mic 1)...



- ◆ Tie-clip Microphone (Mic 3).....



- ◆ Gooseneck set.....

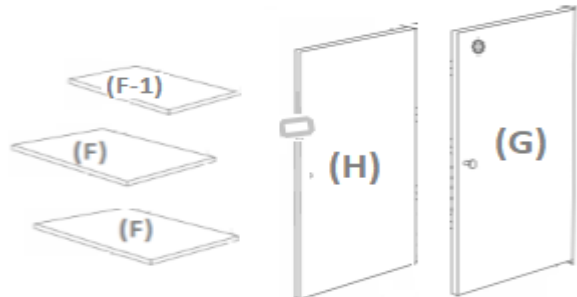
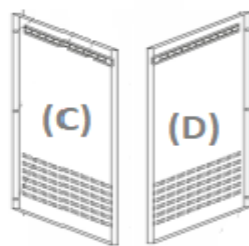
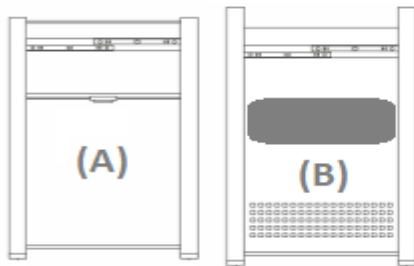


- ◆ Gooseneck mounting plate & screws....



Cabinet Parts

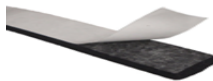
- ◆ Front panel (A)
- ◆ Right panel (C)
- ◆ Bottom Shelves x 2 (F)
- ◆ Top shelve (F-1)
- ◆ Back panel (B)
- ◆ Left panel (D)
- ◆ Doors (G) & (H)



- ◆ Lectern top & support brackets



- ◆ Foam Strip (I)



- ◆ Keyboard (J)
- ◆ Right side shelf (K)
- ◆ Left side shelf (L)



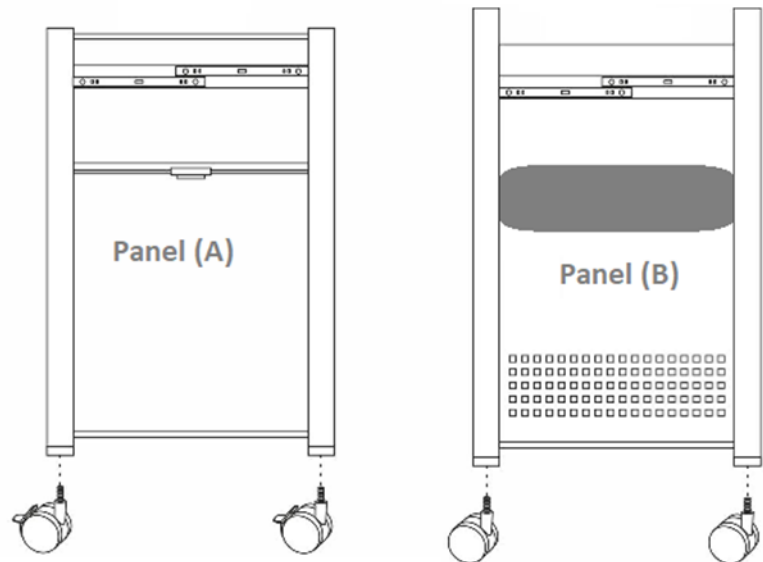
- ◆ Casters (O) ...



Assembling the unit:

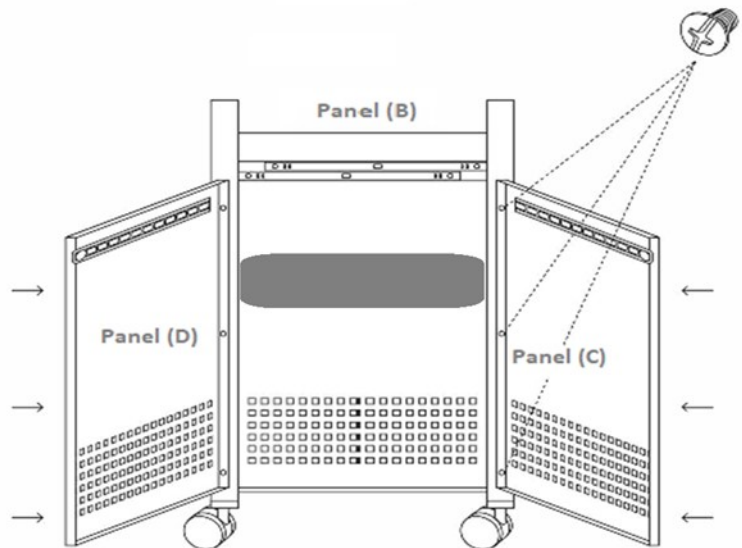
Caster installation-

- 1) Install the two locking casters on the front tubes of panel A. Use the enclosed wrench to tighten.
- 2) Install the two non-locking casters to back tubes of panel B. Use the enclosed wrench to tighten.



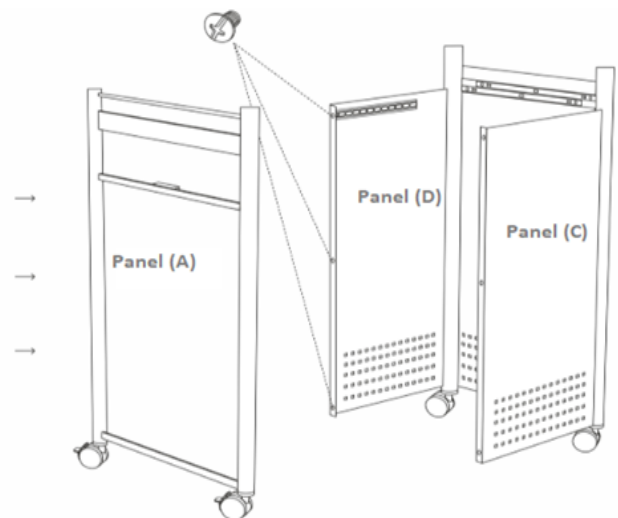
Attaching Back panel to side panels-

- 1) Lay back panel (B) on a floor or flat surface. Take side panel (C) and align holes on side to holes on tubes on right side of panel (B). Install by using three black 15mm Phillips head screws from hardware packet #3.
- 2) Next, take side panel (D) and align holes on side to holes on left side of tube of panel (B). Install by using three black 15mm Phillips head screws from hardware packet #3. See illustration.



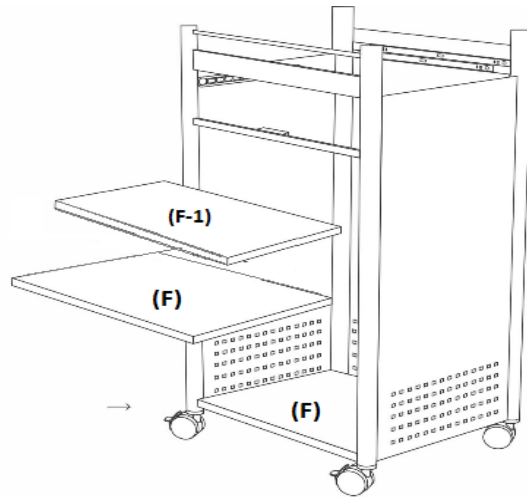
Attaching Front panel to side panels-

- 1) Lift partially assembled unit to an upright position and begin by aligning holes of right side of tube of front panel (A) to holes on side panel (C). Install by using three black 15mm Phillips head screws from hardware packet #3.
- 2) Next, align holes of left side of tube of front panel (A) to holes on left side of panel (D). Install by using three black 15mm Phillips head screws from hardware packet #3. See illustration.



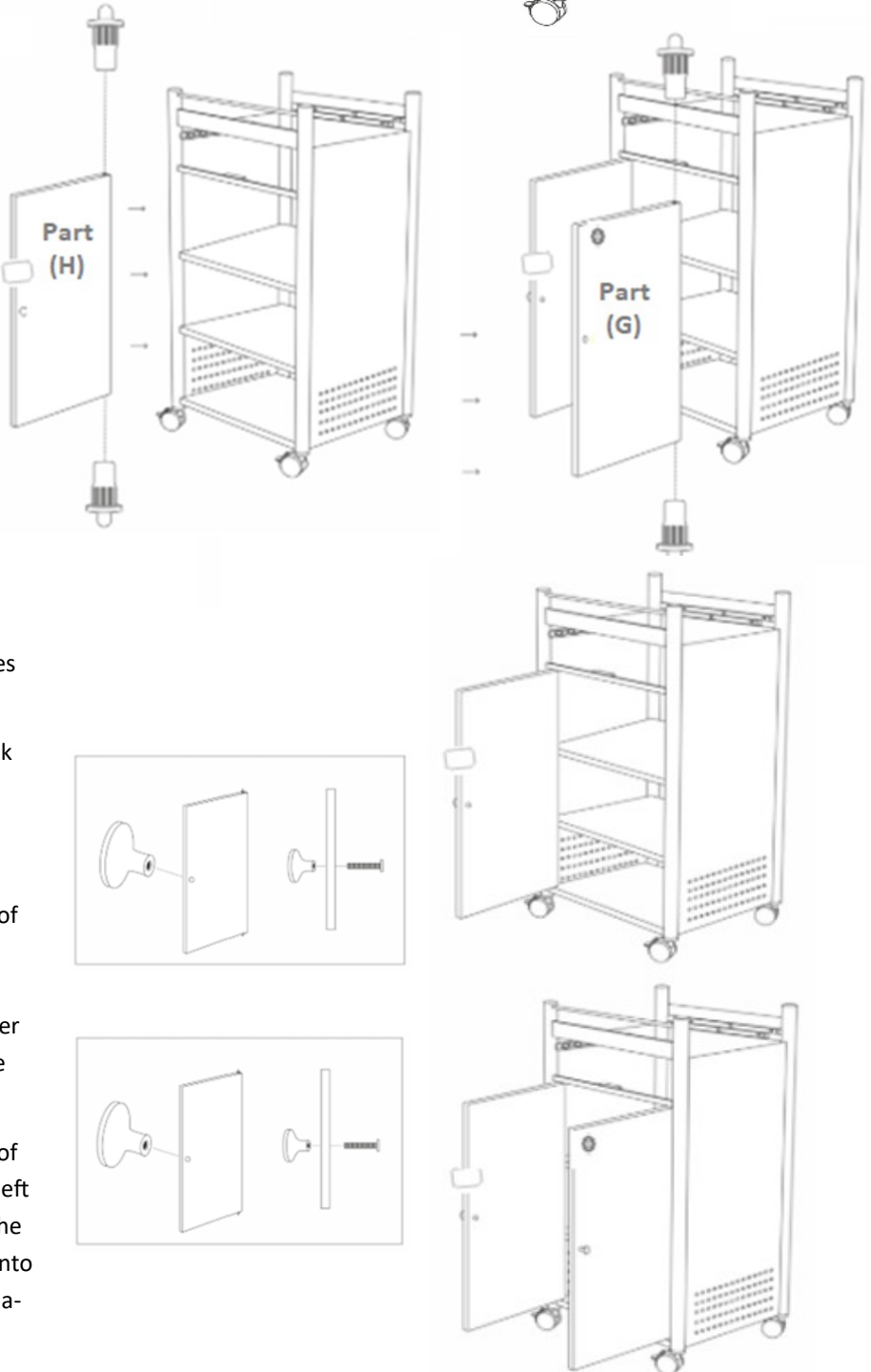
Cabinet Shelf Installation-

- 1) Place one shelf (Part F) at the bottom of cabinet assuring that it is firmly resting on ledges of the interior of the side and back panels of cabinet.
- 2) While holding on a slanted position, place the middle shelf (Part F) on the ledges of side panels assuring it is firmly resting on ledges of the interior of the side panels of cabinet.
- 3) While holding on a slanted position, place the top (smaller) shelf (Part F-1) on the ledges of side panels assuring it is firmly resting on ledges of the interior of the side panels of cabinet. Be careful not to damage speaker panel during the process.



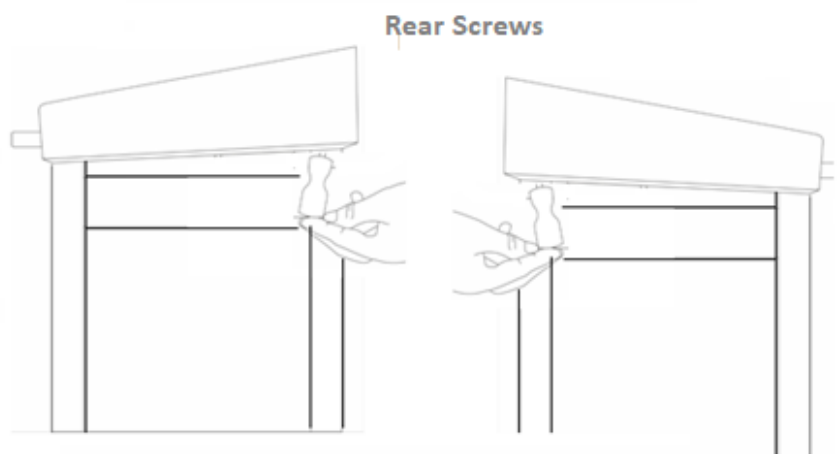
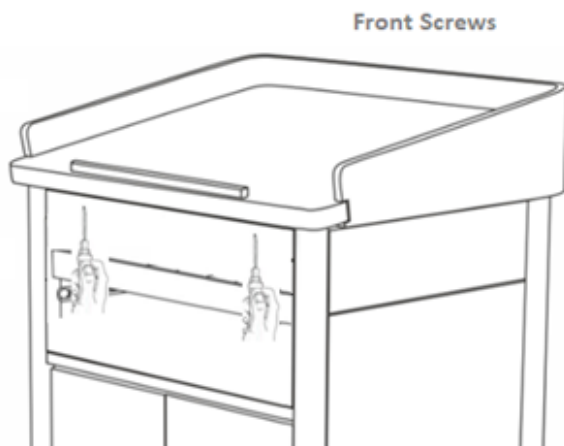
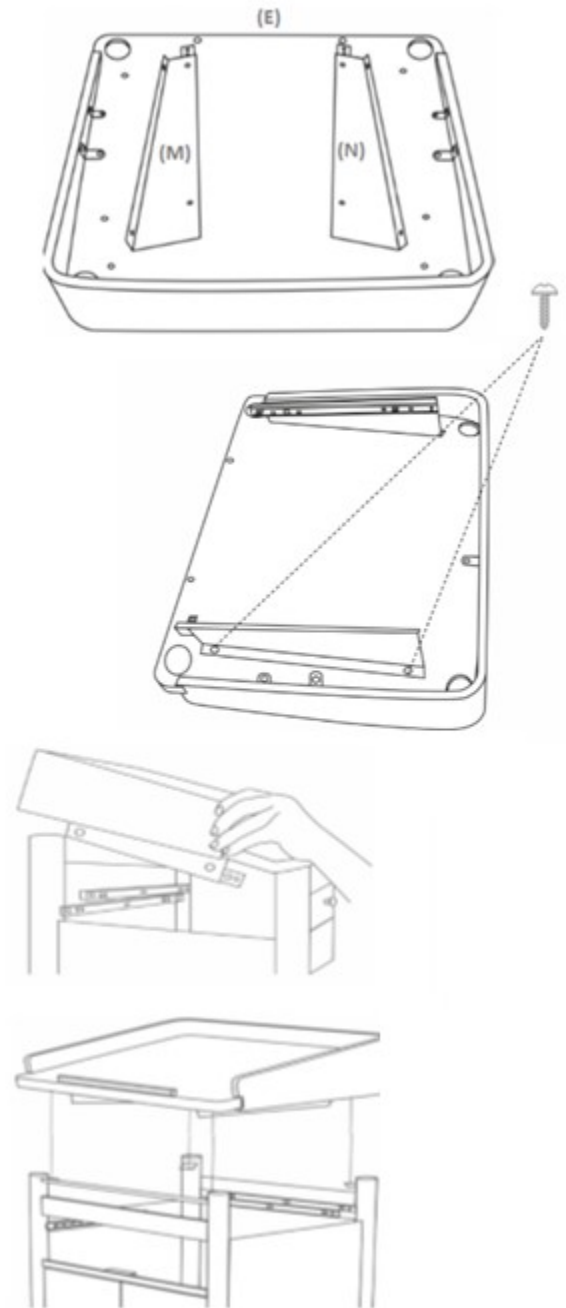
Door assembly & installation-

- 1) Identify right cabinet door (Part G) and using pivot pins from hardware packet #2, install a pivot into the pre-drilled holes on the bottom and top of doors.
- 2) Identify left cabinet door (Part H) and using pivot pins from hardware packet #2, install a pivot into the pre-drilled holes on the bottom and top of doors.
- 3) Using silver Phillips head screws and black handles from hardware packet #1, install door knobs onto panels (G) & (H) using a Phillips screw driver.
- 4) While holding door (part G), insert pivot of bottom of door into the hole located on right side of cabinet bottom. Align door with the top of door frame and slide upper pivot into hole at right side of door frame top.
- 5) While holding door (part H), insert pivot of bottom of door into the hole located on left side of cabinet bottom. Align door with the top of door frame and slide upper pivot into hole at left side of door frame top. See diagram .



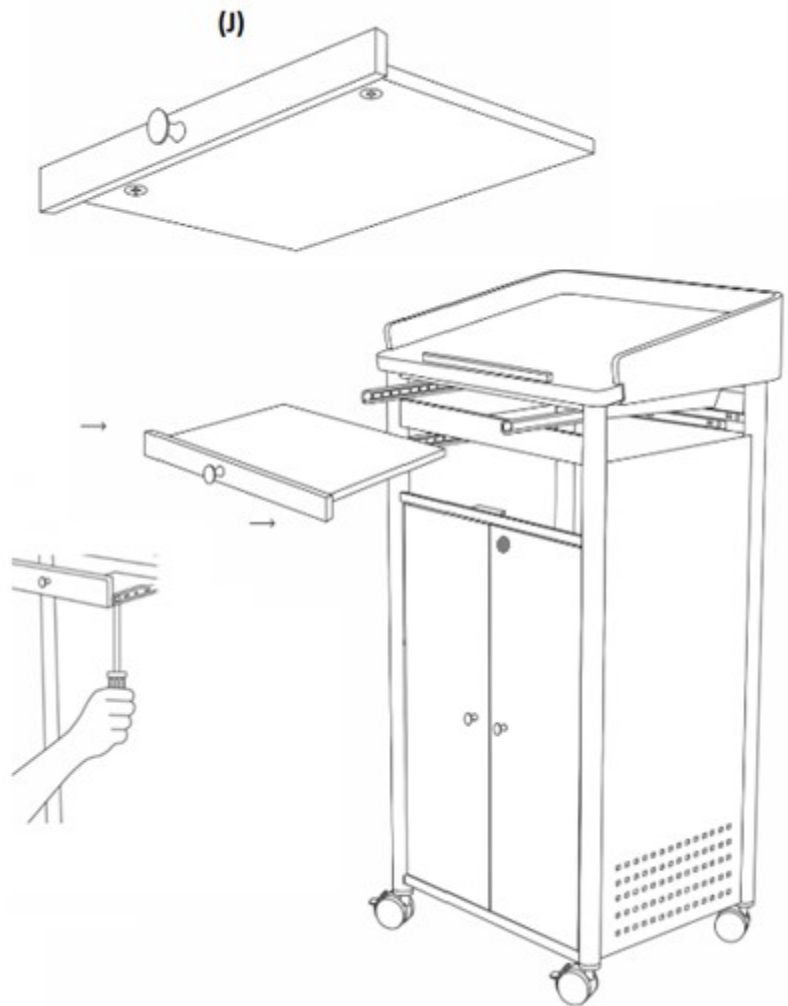
Top assembly & installation-

- 1) Carefully remove lectern top (Part E) from carton and place upside down.
- 2) Identify right & left lectern support brackets (Parts M & N).
- 3) Place bracket (M) on right side aligning with pre-drilled holes on underside of top.
- 4) Using four Philip-head black 10mm screws from hardware packet #3, install by tightly screwing screws into pre-drilled holes. Repeat this step for left side bracket (N). Assure to screw flat side of brackets (with tracks facing the center) to underside of lectern top.
- 5) Once support brackets are attached to underside of top, begin by holding top with front slanted downwards and aligning round grooves at the corners of underside of top with top of front metal posts. Place grooves snugly onto top of posts and proceed to do the same for grooves at back of underside of top assuring that the round underside grooves are tightly inserted over posts.
- 6) Using the four remaining four Philip-head black 10mm screws from hardware packet #3, secure cabinet to top by installing screws through holes in metal strip at front of cabinet and at back through tabs located at top of posts. See illustration.



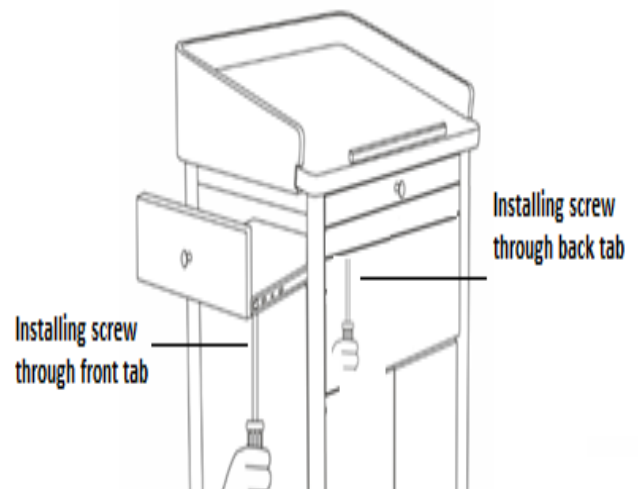
Keyboard installation-

- 1) Identify keyboard panel (Part J).
- 2) Slide keyboard into tracks that are located just below top of lectern.
- 3) Using four zinc plated 12mm Philip-head screws, (found in packet #3) attach keyboard to tracks by installing screws through tabs located underneath of keyboard.



Side shelf assembly & installation-

- 1) Identify right side shelf panel (Part # K)
- 2) Pull the sliding tracks out and place shelf on top of track tabs.
- 3) Using four zinc plated 12mm Philip-head screws, attach shelf to tracks by installing screws through the track tabs . Note that to reach back tabs, you will need to place screwdriver through opening in front of cabinet. See illustration .
- 4) Repeat these steps for left shelf installation (Part L).



Amplifier installation-

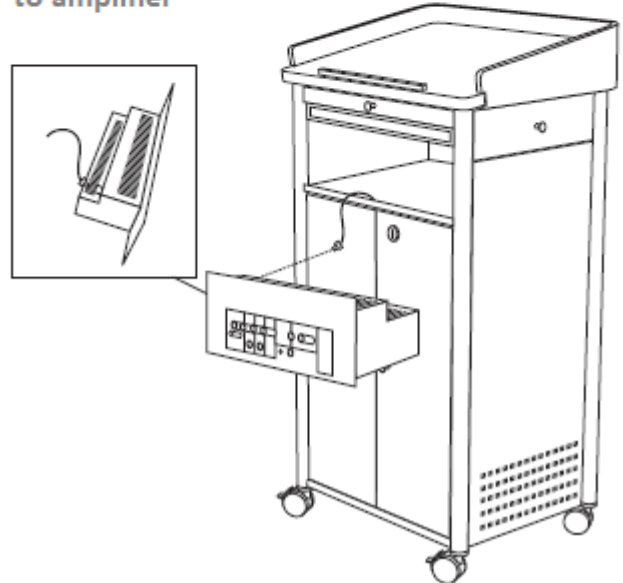
- 1) Carefully remove amplifier from the carton.
- 2) Remove the adhesive backing from one side of the foam strip and apply it to the metal cross brace located under the keyboard tray. After foam strip is in place remove the adhesive backing from the other side.
- 3) Connect the plug coming out of the speaker wire on Panel B to the plug coming out of the back of the amplifier.
- 4) Fit the amplifier into the opening under the keyboard tray by placing the bottom onto the front cabinet brace while allowing the top to attach to the adhesive strip. Once in place use the two M6 screws found in packet # to secure the amplifier from underneath the brace.
- 5) Gooseneck assembly- Remove gooseneck microphone holder from inner carton and using three screws install at desired location of lectern reading surface.

Foam strip

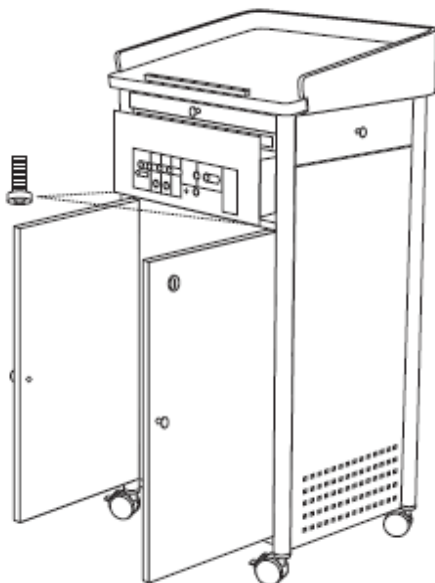
Speaker wire



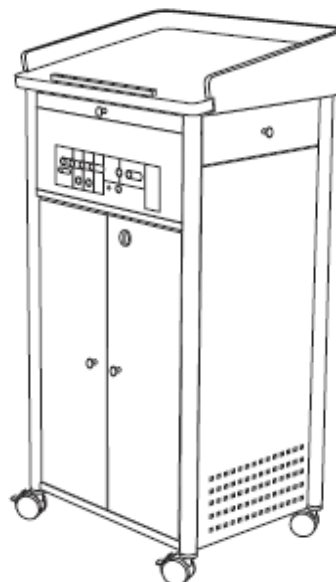
Plugging speaker wire to amplifier



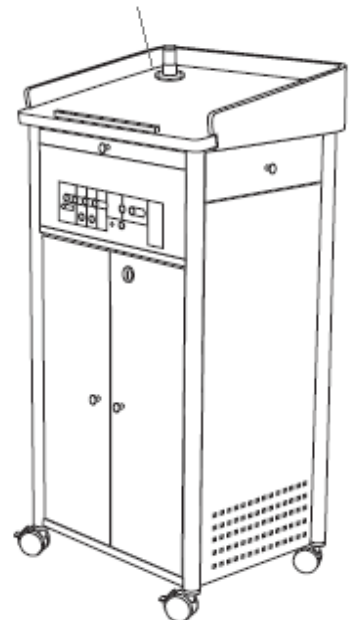
Placing amplifier in cabinet opening and screwing in



Amplifier installed



Gooseneck installation



Amplifier Operating Instructions



Operating Precautions

Before operating the amplifier, be sure you fully understand all instructions and features of the amplifier. DO NOT turn amplifier on until all input and output connections have been made. NEVER replace fuses unless power is off.

Microphone Input Connection

The microphone input accepts 1/4" phone jack. Do not position microphone next to or facing speakers. This may cause acoustic feedback.

Wireless Operation

Turn on the power on both the wireless receiver and wireless mic-1 making sure both are set to matching channels, either "A" or "B".

Auxiliary Input

One auxiliary input is provided for radio tuner; tape recorder, CD player or multimedia equipment. Output level is adjusted by the auxiliary volume control.

Tone/Equalization Controls The Low and High frequency controls are similar to the bass and treble controls found on most stereo systems. Optimum tone is achieved by first setting both knobs halfway; adjust Low and High frequency controls to suit environment.

Auxiliary / Line Out Connect speaker line to navy line out connector of the amplifier. For maximum power transfer and to avoid amplifier overload, be sure that the total impedance of the speaker line matches the output impedance setting on amplifier. Be sure that speaker terminals are not shorted together by speaker line connecting cables. Can also be used for a recording device.

Power supply 12V dc operation

Connect a 12 volt rechargeable battery 5 amp (not included) to the battery input connector located on the panel of the amplifier (using 6' battery cable). Note the positive line is equipped with an in-line fuse, as this is the only polarity identifier. Be sure that the positive line (in-line fuse) is connected to the positive pole of the battery (Red terminal) and the negative line (no fuse) is connected to the negative pole (Black terminal). When lectern is plugged into a standard wall outlet, the battery will automatically recharge. Green indicator light illuminates during recharge mode.

Precautions

- ◆ Set Mic volume control on lowest when turning unit on.
- ◆ Ensure correct polarity for D.C. supply connections.
- ◆ Reverse connections will blow the fuse and may damage internal circuitry.
- ◆ Always replace fuse with specified rating.

Removal and installation of amplifier

If your amplifier has to be removed for servicing — follow these simple steps:

- 1) Disconnect A/C wall plug.
- 2) Open the cabinet doors and remove the two screws that go from the metal brace into the bottom of the amplifier.
- 3) Gently pry out the amplifier beginning from the top portion.
- 4) Disconnect speaker wire at rear of amplifier.
- 5) Pack it into a strong box with ample cushioning and return to factory.
- 6) To install new amplifier reverse the above procedure

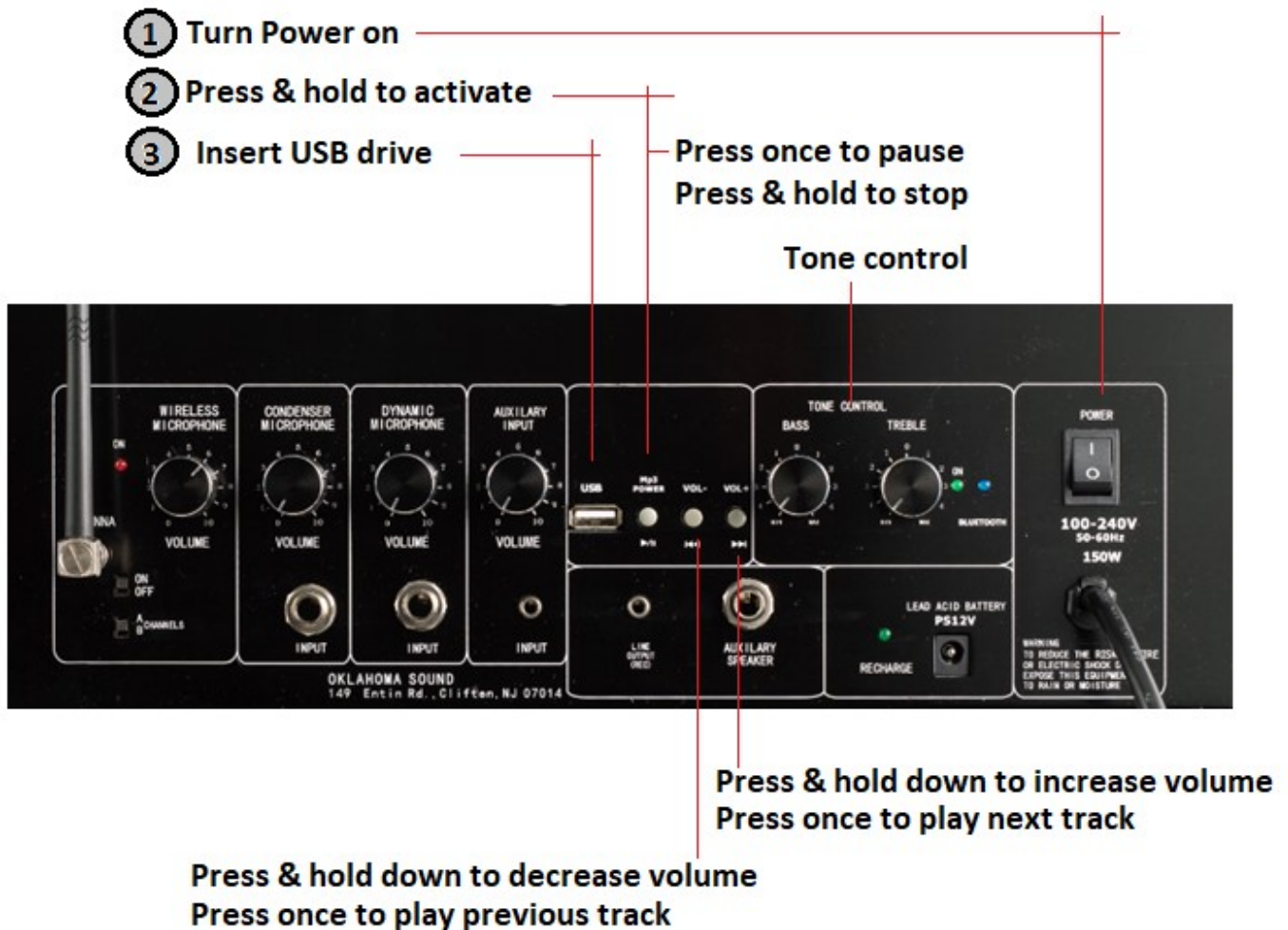
Bluetooth & USB Instructions

To begin:

1. Turn Power button on
2. Press & hold MP3 Power button once to activate
3. Insert USB drive or turn on Bluetooth function on your device

Operational functions while device is playing:

- ◆ Press & hold down vol + button to increase volume
- ◆ Press & hold down vol - button to decrease volume
- ◆ Press MP3 Power button once to pause; press again once to resume
- ◆ Press & hold MP3 Power button to stop
- ◆ Press vol + button once to play next track
- ◆ Press vol - button once to play previous track
- ◆ Turn Tone control knobs to adjust Bass & Treble



Optional / Additional Equipment

BRASS READING LAMP / #BRL

Attach an elegant brushed brass reading lamp to the reading surface of your new lectern. Not only will you shed light on the subject, but you will add pizzazz to your new lectern.



#BRL

RECHARGEABLE BATTERY / #PS12V

Connect this 12V 5 amp rechargeable battery pack with included cable to any of our lecterns for battery power. 20 hour life. Lecterns recharge battery overnight.



#PS12V

HAND-HELD WIRELESS MIC. LWM-5

This wireless hand-held mic uses a 9-volt battery. Select channel A or B to eliminate outside frequency interruption. Move freely up to 200 ft. away.



LWM-5

TIE-CLIP LAVALIER WIRELESS MIC. / LWM-6

Includes pocket-size transmitter with a clip-on mic. Uses a 9-volt battery. Select channel A or B to eliminate outside frequency interruption. Move freely up to 200 ft. away.



LWM-6

HEADSET WIRELESS MIC. /LWM-7

Includes pocket-size transmitter with a headset mic. Uses a 9-volt battery. Select channel A or B to eliminate outside frequency interruption. Move freely up to 200 ft. away.



LWM-7

GSL NON-SOUND LECTERN

The perfect Non-Sound lectern that provides an all-in-one presentation experience. This beautifully handcrafted lectern is built with durable steel parts along with a curved plywood top. The unit is equipped with a front 8" drawer, two side pull-out shelves and a sliding keyboard tray. The cabinet is equipped with two shelves for ample storage and moves easily with four double hooded casters.



#GSL