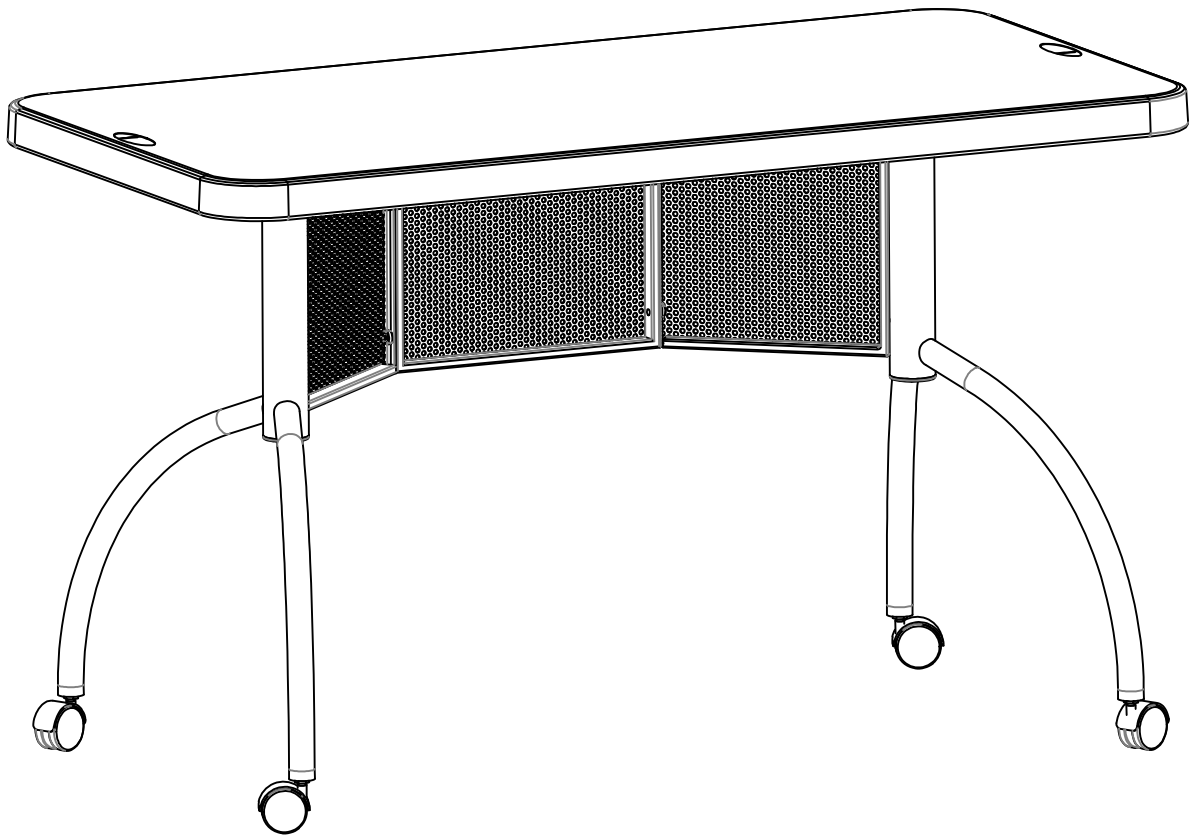





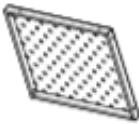









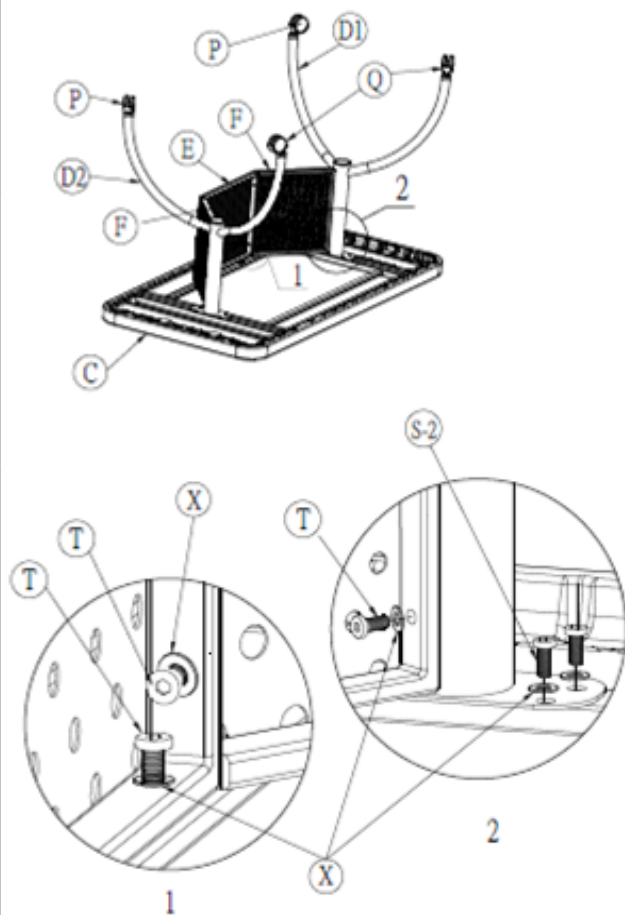
Teachers WorkPod Desk **Assembly Instructions**



MODEL# TWPD

Begin by identifying all the parts and hardware.

Part List				
Part No.	No.	Drawing	Part Name	Qty
Part	C		Table Top	1 PC
	D1		Leg	1 PC
	D2		Leg	1 PC
	E		Mesh Modesty Panel 1	1 PC
	F		Mesh Modesty Panel 2	2 PCS
Hardware	P		Swivel Caster	2 PCS
	Q		Non-Swivel Caster	2 PCS
	S-2		Screw M6X15	8 PCS
	T		Screw M6X20	10 PCS
	X		Screw 12XØ6.1XØ13	10 PCS
	Z		Wrench 4mm	1 PC





Step 1:

Identify the desk surface (Part C) and lay it down on a clean soft surface. Identify the leg assembly (Part D1 & D2) and align the two holes on the leg's mounting plate with the two holes on the frame of the desk as illustrated below with the #2. Be sure that the legs are protruding towards the outer edge of the desk. Use two bolts (Part S-2) and two washers (Part X) to attach the leg assembly in place.

Step 2:

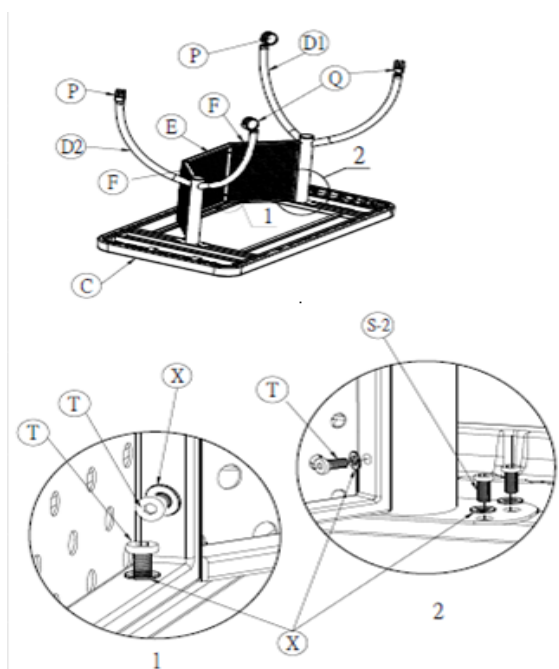
Identify the smaller mesh modesty panel (Part F) and align the two holes on the straight edge of the panel (not the angled edge) with the two holes on the leg assembly (Part D1 & D2). Use two bolts (Part T) and two washers (Part X) to attach panel with the leg assembly. It's important that the finished side of the mesh panel is facing outwards. Use the provided allen key to tighten the bolts.

Step 3:

Identify the long mesh modesty Panel (Part E) and align the three holes on the (long) edge of the panel with the holes on the cross bar of the desk (Part C). Then align the two holes on the short end of the mesh modesty panel (Part E) with the two holes on the smaller mesh modesty panel (Part F). Use two bolts (Part T) and two washers (Part X) to attach them together

Step 4:

Identify the two remaining casters and attach them to the bottom of each leg by inserting the caster stem into the embedded nut in each leg. Use provided wrench to tighten properly. Be sure to attach the non-locking caster (Part P) to the leg closer to mesh panel as shown.





Dear Valued Customer,

Although extreme care goes into manufacturing and packing of this unit, mistakes are possible. If you encounter any defects or you feel that something is missing, please call our toll free customer service line at 1-800-261-4112 for courteous and immediate resolution to your problem.

Sincerely

Oklahoma Sound

Manufactures Warranty

Our carts undergo the most rigid and exacting test for superior quality and performance before leaving our factory. Oklahoma Sound warrants this product to be free from defective material and workmanship on this unit for five years from the date of resale by an authorized Oklahoma Sound distributor. Oklahoma Sound will replace defective parts and repair malfunctioning products under this warranty when the defect occurs under normal installation and use, provided that the unit is returned to our factory via prepaid transportation after direct authorization and approval from Oklahoma Sound. This warranty provides that examination of the returned product must disclose in our judgment a manufacturing defect. This warranty does not extend to any product which has been subject to misuse, neglect, accident, improper installation or where the serial number has been removed if defective and is given in lieu of any other warranty implied or expressed and will not cover any damage.

To enquire about any other Oklahoma Sound product please contact your dealer, or:

National Public Seating

149 Entin Road, Clifton N.J. 07014 ♦ Tel : (973) 594-1100

www.nationalpublicseating.com ♦ info@nationalpublicseating.com