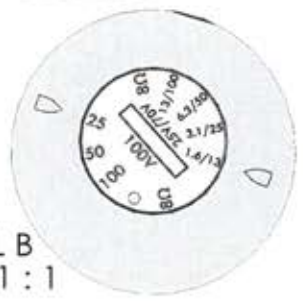
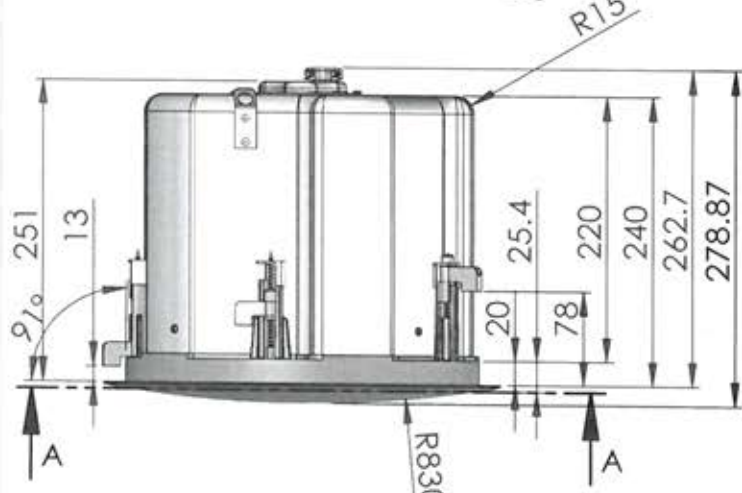
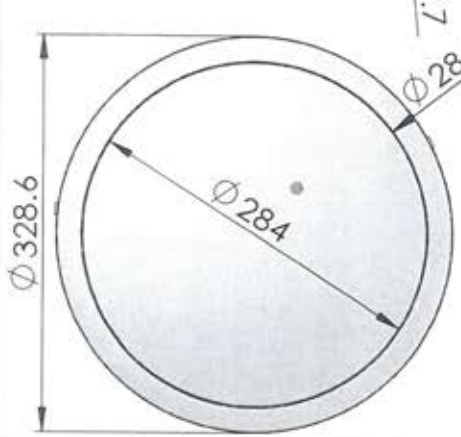


1:6



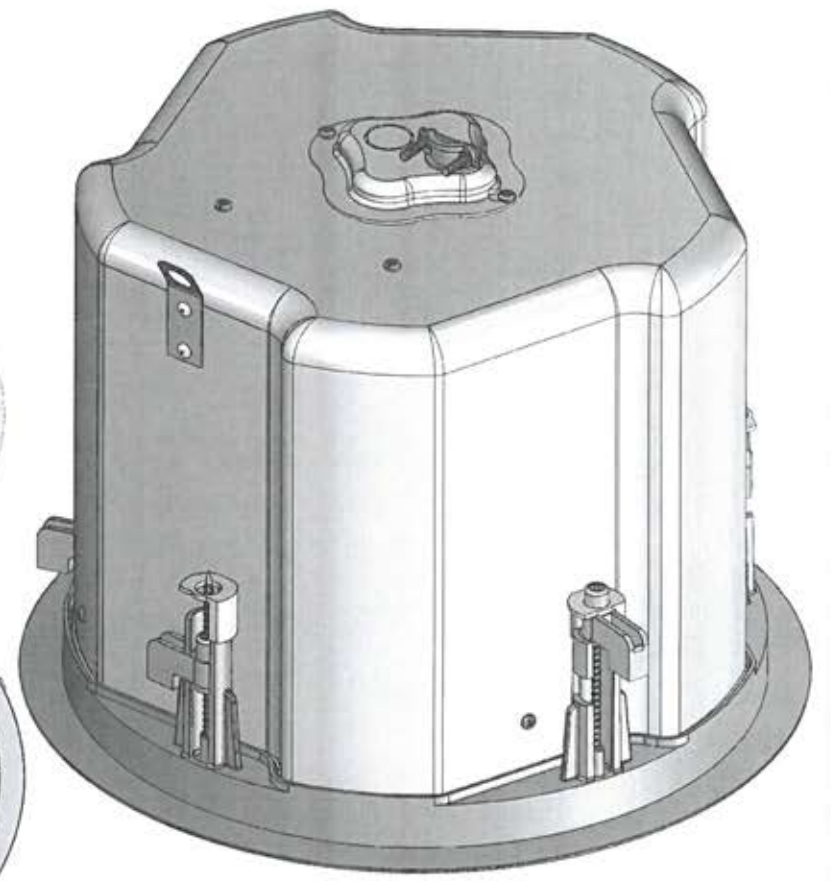
DETAIL B
SCALE 1:1



DETAIL C
SCALE 1:1



SECTION A-A
SCALE 1:6



1:3

UNLESS OTHERWISE SPECIFIED
DIMENSIONS AND TOLERANCES
ARE IN MM
DECIMALS ANGLES
X.X ±0.5 ±0°30'
X.XX ±0.2
X.XXX ±0.05



SCALE: 1:6 UNIT: mm