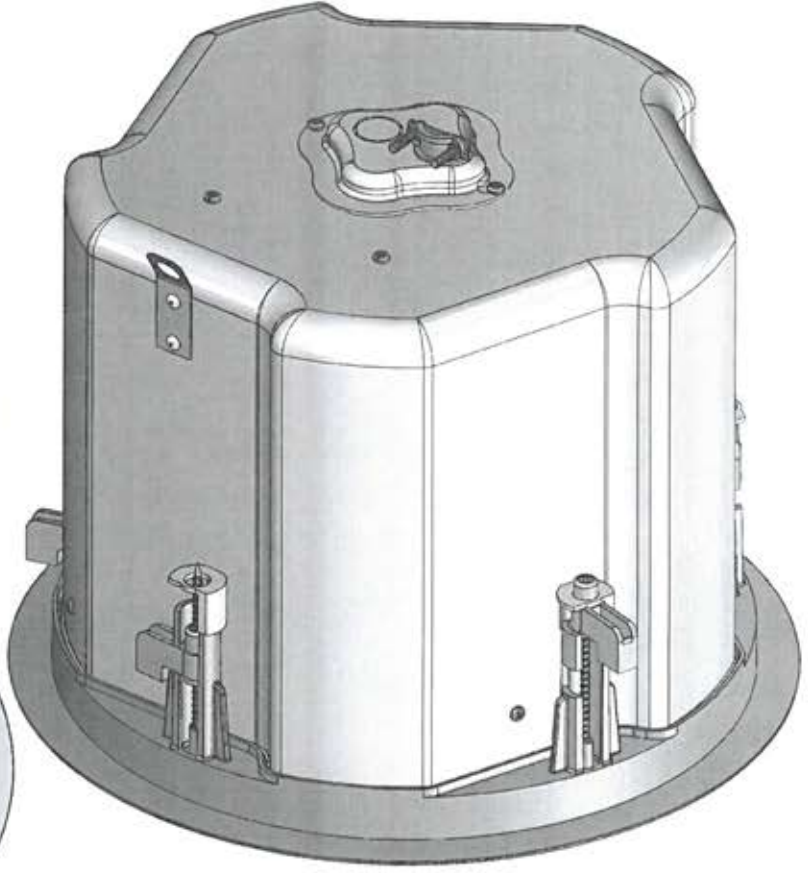
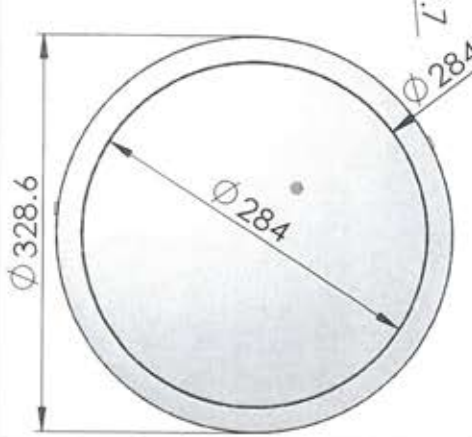


DETAIL B
SCALE 1 : 1



1:3



DETAIL C
SCALE 1 : 1



SECTION A-A
SCALE 1 : 6

UNLESS OTHERWISE SPECIFIED
DIMENSIONS AND TOLERANCES
ARE IN MM
DECIMALS ANGLES
X.X ±0.5 ±0°30'
X.XX ±0.2
X.XXX ±0.05

SCALE: 1:6 UNIT: mm