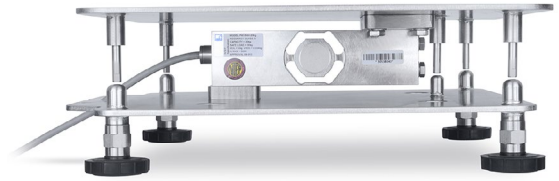




DEFENDER® 6000

Extreme Washdown Bases



EasyConnect



Advanced IP68/IP69K Washdown Base

The Defender 6000 Series Extreme Washdown Base is specifically designed for food, chemical and pharmaceutical applications, including production and packaging. Defender 6000 handles the most demanding applications with 316 stainless steel platform and frame, and hermetically-sealed stainless steel IP69K load cell. Defender 6000 meets metrological approvals, NSF listing, and supporting HACCP systems.

Unique Features Include:

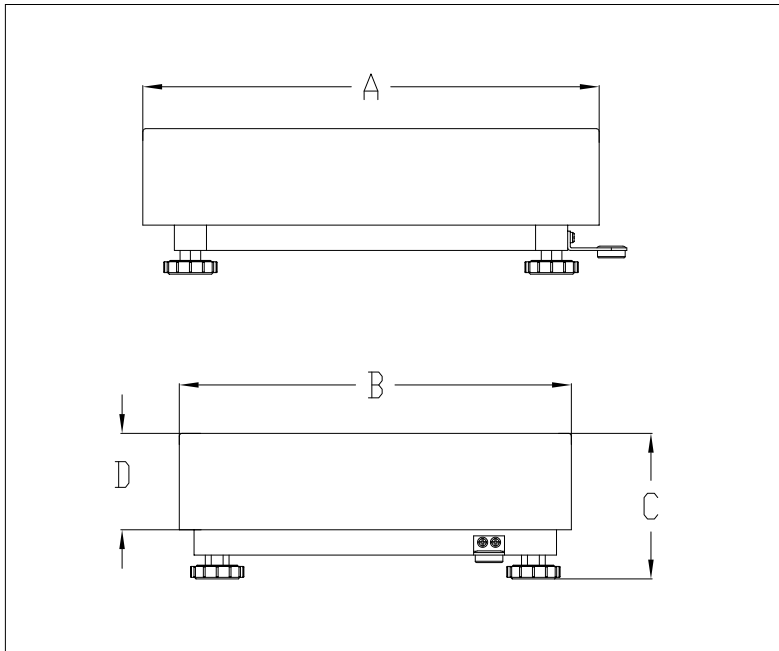
- Defender 6000 stands up to harsh cleaning in processing and packaging environments with IP68 immersion/ IP69K washdown protection, 316 stainless steel construction and hermetically-sealed load cell.
- The Defender 6000 bases are equipped with an EasyConnect cable, which allows instant configuration with Defender 5000 and 6000 indicators, speeding installation.
- Durable Defender 6000 is NSF certified, supporting HACCP systems with a 316 stainless steel base providing corrosion protection in food, chemical processing, and packaging.

DEFENDER® 6000 *Extreme Washdown Bases*

Specifications

MODEL	i-D5K1S	i-D12K1R	i-D25K1R	i-D50K1L	i-D150K1L
Capacity x Default Readability	10 lb x 0.001 lb 5 kg x 0.5 g	25 lb x 0.002 lb 12.5 kg x 1 g	50 lb x 0.005 lb 25 kg x 2g	100 lb x 0.01 lb 50 kg x 5 g	300 lb x 0.02 lb 150 kg x 10 g
Capacity x Certified/Approved Readability	10 lb x 0.002 lb 5 kg x 1 g	25 lb x 0.005 lb 12.5 kg x 5 g	50 lb x 0.01 lb 25 kg x 5 g	100 lb x 0.02 lb 50 kg x 10 g	300 lb x 0.1 lb 150 kg x 50 g
Safe Overload Capacity	150% of capacity				
Base Construction	316 stainless steel top and bottom frame, hermetically sealed IP68/IP69K stainless steel loadcell			316 stainless steel removable weighing platform with 316 stainless steel frame, hermetically sealed IP68/IP69K stainless steel loadcell	
Linearity/Repeatability	±2d				
Load Cell Capacity	10 kg	20 kg	50 kg	100 kg	200 kg
Load Cell Cable	19.7 in / 0.5 m L x 6-wire			39.4 in / 1 m L x 6-wire	
Load Cell Type	350 Ohm, stainless steel, single point				
Load Cell Excitation	3.3-15V DC/AC				
Load Cell Rated Output	2mV/V				
Load Cell Protection	IP68/IP69K				
Base Dimensions (A x B x C x D)	9.8 x 9.8 x 4.2 x - in 250 x 250 x 106 x - mm	11.8 x 11.8 x 4.2 x - in 300 x 300 x 106 x - mm	19.7 x 15.7 x 5.4 x 3.1 in 500 x 400 x 137 x 80 mm		
Shipping Dimensions (L x W x H)	19.3 x 17.7 x 15 in 490 x 450 x 380 mm			39.4 x 27.2 x 9.8 in 1,000 x 690 x 250 mm	
Approx. Net Weight	12.8 lb / 5.8 kg	15.4 lb / 7 kg	34.4 lb / 15.6 kg	37 lb / 16.8 kg	
Approx. Shipping Weight	17.6 lb / 8 kg	19.8 lb / 9 kg	61.7 lb / 28 kg	66.2 lb / 30 kg	

Outline Dimensions



Accessories

Wheel kit SS Defender Series	30616409
LC Extension Cable, 9 meters	30424409
Column Kit 10.2 in 316 SS	30572908
Column Kit 26.4 in 316 SS	30572909
Front Mounting kit 316 SS i-DT61PW.	30626654
Pan 12x12 in 304 SS.	30427798
Pan 10x10 in 304 SS.	30427799
Cable Kit Extension for base	30429931

Other Standard Features & Equipment

150% overload capacity protection, open design to minimize build-up and support easy cleaning, non-slip adjustable rubber feet.

Compliance

- **Metrology:** Load Cell: OIML (R60/2000-DE1-06.02, R60/2000-NL1-12.50); EN45501 (D09-06.20, TC7648). Platforms: NTEP (CC 20-064); MC (AM-6154) Class III
- **Food Safety:** ANSI/NSF 169
- **Ingress Protection:** IEC 60529 – IP68, DIN 40050 – IP69K
- **Compliance Marks:** CE
- **Other:** WEEE, RoHS

80776650_A 20210119 © Copyright OHAUS Corporation

OHAUS CORPORATION
*7 Campus Drive
Suite 310
Parsippany, NJ 07054 USA

Tel: 800.672.7722
973.377.9000
Fax: 973.944.7177

www.ohaus.com

*With offices throughout
Europe, Asia, and
Latin America*

*ISO 9001:2015
Registered Quality
Management System

