



**Defender[®] 6000 Indicators
Instruction Manual**

**Defender[®] 6000 Waagen
Bedienungsanleitung**

**Indicadores Defender[®] 6000
Manual de instrucciones**

**Manuel d'instructions sur les
indicateurs de Defender[®] 6000**

**Indicatori[®] Defender 6000
Manuale di istruzioni**

Table of Contents

1.	INTRODUCTION	3
1.1.	SAFETY PRECAUTIONS	3
1.2.	INTENDED USE	3
1.3.	OVERVIEW OF PARTS AND CONTROLS	4
1.4.	MAINBOARD	5
1.5.	CONTROL FUNCTIONS	6
2.	INSTALLATION	9
2.1	UNPACKING	9
2.2	EXTERNAL CONNECTIONS.....	9
2.2.1	Scale Base with EasyConnect™ Connector.....	9
2.2.2	Power input to i-DT61PW.....	9
2.2.3	AC Power to i-DT61XWE.....	9
2.3	INTERNAL CONNECTIONS	9
2.3.1	Opening the Housing.....	9
2.3.2	Scale Base without EasyConnect™ Connector.....	11
2.3.3	Communication Interface Cable to i-DT61PW.....	14
2.3.4	RS232 Interface Cable to i-DT61XWE.....	15
2.4	MOUNTING BRACKET.....	15
3.	OPERATION	16
3.1	TURNING THE SCALE ON/OFF.....	16
3.2	WEIGHING MODE	16
3.2.1	Enter the Mode and Start Weighing	16
3.2.2	Accumulation and Statistics	16
3.2.3	Check	17
3.2.4	Application Settings	18
3.3	COUNTING MODE	19
3.3.1	Enter the Mode	19
3.3.2	Establish an APW	19
3.3.3	Start Counting	19
3.3.4	Application Settings	19
3.4	PERCENT MODE	20
3.4.1	Enter the Mode	20
3.4.2	Establish a Reference Weight.....	20
3.4.3	Start Percent Weighing	20
3.4.4	Application Settings	20
3.5	DYNAMIC MODE.....	21
3.5.1	Enter the Mode	21
3.5.2	Start Dynamic Weighing	21
3.5.3	Application Settings	21
3.6	FILLING MODE.....	22
3.6.1	Enter the Mode	22
3.6.2	Start Filling	22
3.6.3	Resume and Pause Filling.....	22
3.6.4	Display of the Dot Matrix Screen.....	22
3.6.5	Application Settings	23
4.	MENU SETTINGS	24
4.1	MENU NAVIGATION	24
4.1.1	User Menu.....	24
4.1.2	Button Navigation	25
4.2	CALIBRATION MENU.....	26
4.2.1	Initial Calibration.....	26
4.2.2	Zero Calibration [ZER].....	26
4.2.3	Span Calibration [SPAN].....	26
4.2.4	Linearity Calibration [L #].....	27
4.2.5	GEO Adjustment [GEO].....	27
4.2.6	Calibration Test [L.E.S.]	28

4.2.7	<i>End Cal [End]</i>	28
4.3	SETUP MENU	29
4.4	READOUT MENU	33
4.5	UNIT MENU.....	35
4.6	GLP/GMP MENU	35
4.7	COMMUNICATION.....	36
4.7.1	<i>RS232 Menu</i>	36
4.7.2	<i>Print Menu</i>	37
4.7.3	<i>RS485 Configuration</i>	40
4.7.4	<i>Ethernet Configuration</i>	40
4.7.5	<i>Analog Configuration</i>	40
4.8	MEMORY	40
4.8.1	<i>Memory menu (for i-DT61PW model)</i>	40
4.8.2	<i>USB memory (for i-DT61XWE model)</i>	40
4.8.3	<i>Alibi Memory (for i-DT61XWE model)</i>	41
4.9	DISCRETE I/O (FOR I-DT61XWE MODEL)	46
4.9.1	<i>I/O Type</i>	46
4.9.2	<i>Input</i>	47
4.9.3	<i>Output</i>	47
4.10	LOCK KEY CONFIGURATION	47
4.11	LIBRARY (FOR I-DT61XWE MODEL).....	48
4.12	USER (FOR I-DT61XWE MODEL).....	50
4.13	USB (FOR I-DT61XWE MODEL)	52
4.13.1	<i>USB Flash Drive</i>	52
4.13.2	<i>RFID</i>	52
4.13.3	<i>Barcode</i>	52
4.13.4	<i>Keyboard</i>	53
4.13.5	<i>Wi-Fi/Bluetooth Dongle (Optional)</i>	53
5.	LEGAL FOR TRADE	55
5.1	SETTINGS.....	55
5.2	VERIFICATION	55
5.3	SEALING	55
6.	MAINTENANCE	57
6.1	CLEANING.....	57
6.1.1	<i>Cleaning for i-DT61PW Model</i>	57
6.1.2	<i>Cleaning for i-DT61XWE Model</i>	57
6.2	TROUBLESHOOTING	58
6.3	SERVICE INFORMATION	58
7.	TECHNICAL DATA	59
7.1	SPECIFICATIONS	59
7.2	TABLE OF GEO VALUES.....	61
8.	COMPLIANCE	62
9.	APPENDICES	64
9.1	APPENDIX A.....	64
9.2	APPENDIX B.....	66

1. INTRODUCTION

This manual contains installation, operation and maintenance instructions for i-DT61PW and i-DT61XWE indicators. Please read it completely before installation and operation.

1.1. Safety Precautions

Definition of Signal Warnings and Symbols

Safety notes are marked with signal words and warning symbols. These show safety issues and warnings. Ignoring the safety notes may lead to personal injury, damage to the instrument, malfunctions and false results.

WARNING	For a hazardous situation with medium risk, possibly resulting in severe injuries or death if not avoided.
CAUTION	For a hazardous situation with low risk, resulting in damage to the device or the property or in loss of data, or minor or medium injuries if not avoided.
ATTENTION	For important information about the product. May lead to equipment damage if not avoided.
NOTE	For useful information about the product.

Warning Symbols



General hazard



Explosion hazard



Electrical shock hazard

Safety Precautions



CAUTION: Read all safety warnings before installing, making connections, or servicing this equipment. Failure to comply with these warnings could result in personal injury and/or property damage. Retain all instructions for future reference.

- Before connecting power, verify that the AC adapter's input voltage range and plug type are compatible with the local AC mains power supply.
- Do not position the equipment such that it is difficult to reach the power connection.
- Only connect the power cord to a compatible grounded electrical outlet.
- Make sure that the power cord does not pose a potential obstacle or tripping hazard.
- Operate the equipment only under ambient conditions specified in these instructions.
- The equipment is for indoor use only.
- Do not operate the equipment in hazardous or unstable environments.
- Do not place the equipment upside down on the platform.
- Use only approved accessories and peripherals.
- Disconnect the equipment from the power supply when cleaning.
- Service should only be performed by authorized personnel.



WARNING: Never work in an environment subject to explosion hazards! The housing of the instrument is not gas tight. (Explosion hazard due to spark formation, corrosion caused by the ingress of gases).



WARNING: Electrical shock hazards exist within the housing. The housing should only be opened by authorized and qualified personnel. Remove all power connections to the unit before opening.

1.2. Intended Use

This instrument is intended for use in light industry. It must only be used for measuring the parameters described in these operating instructions. Any other type of use and operation beyond the limits of technical specifications, without written consent from OHAUS, is considered as not intended. This instrument complies with current industry standards and the recognized safety regulations; however, it can constitute a hazard in use. If the instrument is not used according to these operating instructions, the intended protection provided by the instrument may be impaired.

1.3. Overview of Parts and Controls

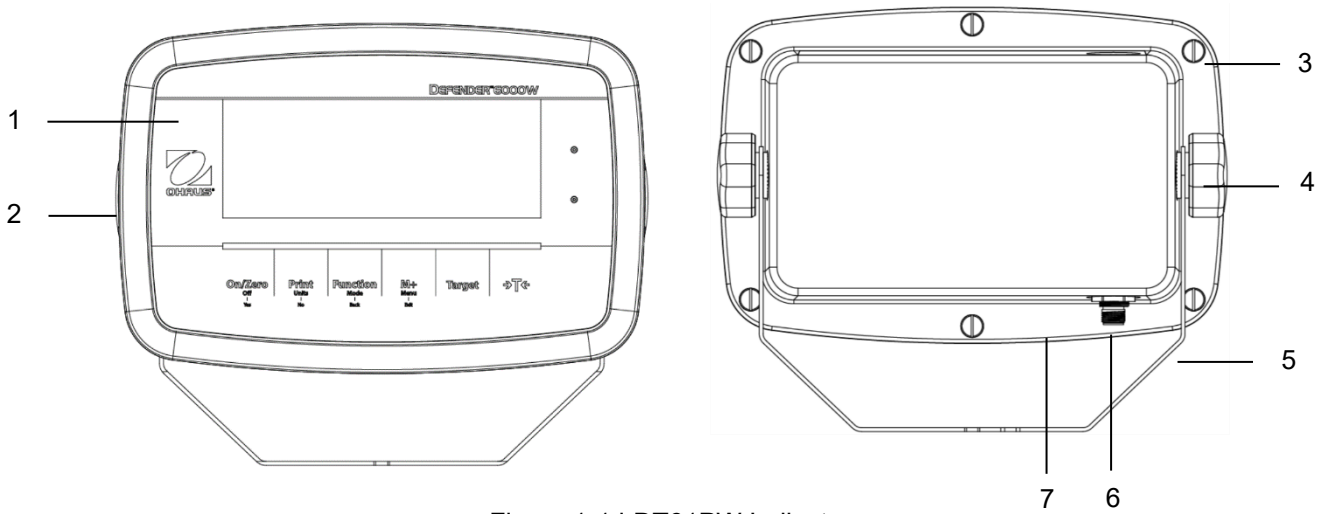


Figure 1-1 i-DT61PW Indicator

Item	Description
1	Control Panel
2	Front Housing
3	Screws (6)
4	Adjusting Knobs (2)
5	Mounting Bracket
6	Load Cell Connector
7	Rear Housing

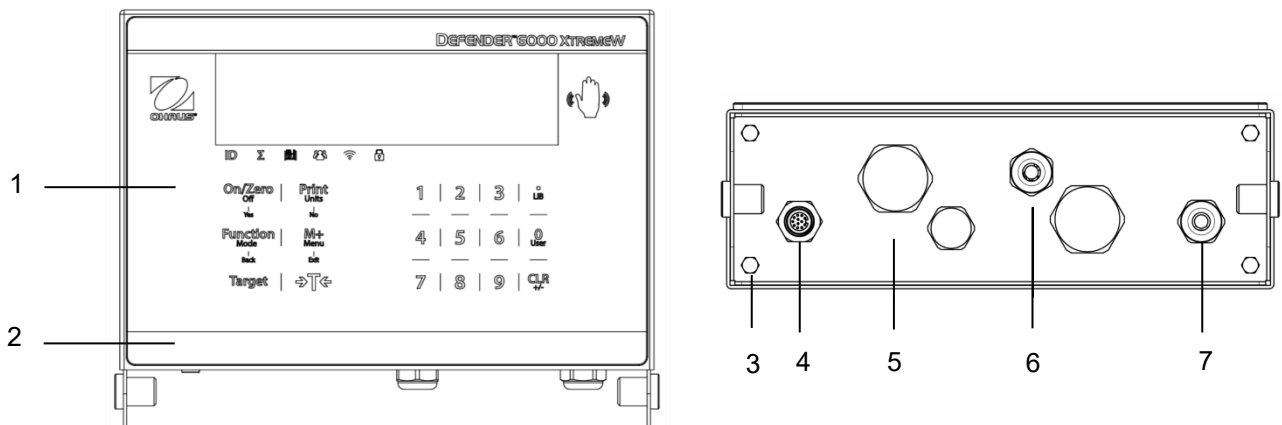
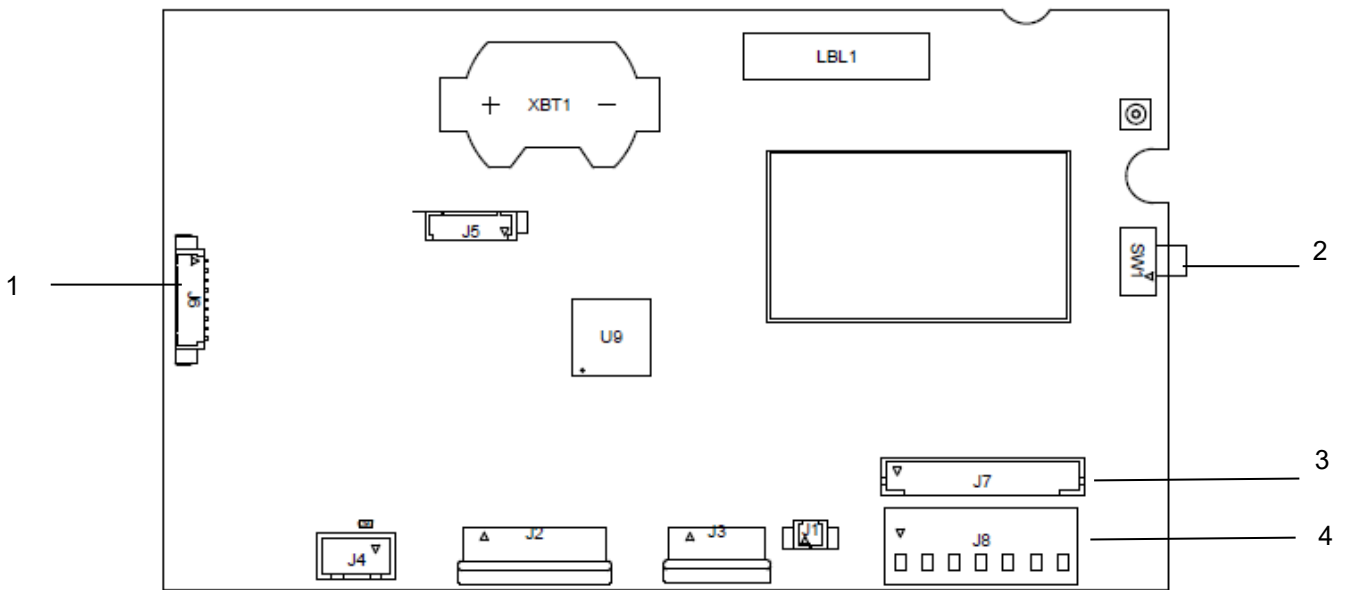


Figure 1-2 i-DT61XWE Indicator

Item	Description
1	Control Panel
2	Front Housing
3	Screws (4)
4	Load Cell Connector
5	Bottom Housing
6	Strain Relief for Option
7	Power cord

1.4. Mainboard



.Figure 1-3 i-DT61PW Mainboard

Item	Description
1	IR Communication connector (J6)
2	Security Switch (SW1)
3	Load Cell connector (J7)
4	Load Cell Terminal Block (J8)

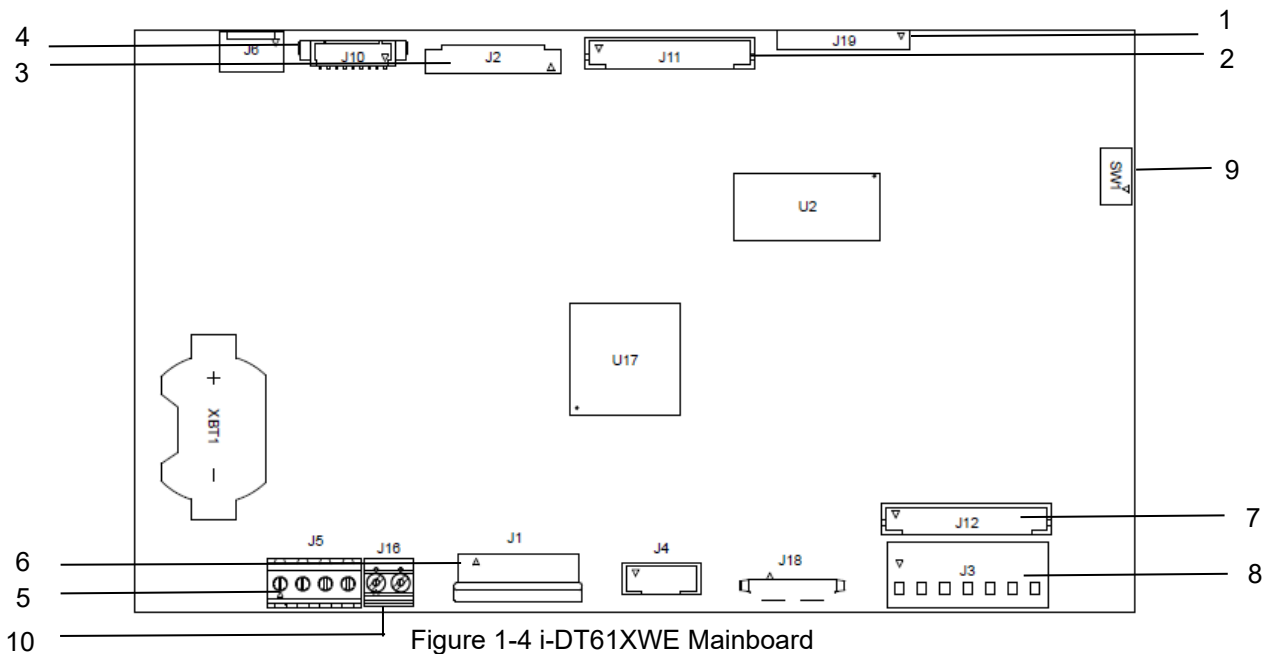


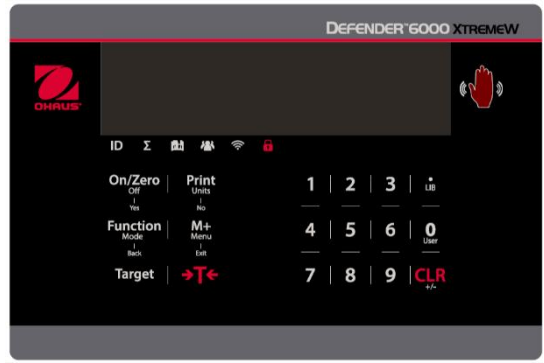
Figure 1-4 i-DT61XWE Mainboard

Item	Description	Item	Description
1	Alibi Memory Board connector (J19)	6	Keyboard connector (J1)
2	Discrete I/O/Analog/RS232-RS485-USB Device connector (J11)	7	Load Cell connector (J12)
3	Display Board connector (J2)	8	Load Cell Terminal Block (J3)
4	Ethernet connector (J10)	9	Security Switch connector (SW1)
5	RS232 connector (J5)	10	Discrete Input0 (J16)

1.5. Control Functions



i-DT61PW Control Panel



i-DT61XWE Control Panel

Button	On/Zero Off Yes	Print Units No	Function Mode Back	M+ Menu Exit	Target	→T←
Primary Function (Short Press)	On/Zero If the terminal is Off, press to power on; If the terminal is On, press to set the zero point.	Print Sends the current value to the selected COM ports if AUTOPRINT is disabled.	Function Initiates an application mode.	M+ Accumulates the weight or displays the accumulated information with no load on the pan.	Target Sets under/over limit value for Check.	Tare Enters/clears a tare value; When the accumulation data is displayed, press to clear them.
Secondary Function (Long Press)	Off If the terminal is On, press to power off.	Units Changes the weighing unit.	Mode Allows changing the application mode.	Menu Enters the user menu.	Target Shows under/over limit value for Check.	Tare Displays the tare weight.
Menu Function (Short Press)	Yes Accepts the current setting on the display.	No Advances to the next menu or menu item. Rejects the current setting on the display and advances to the next available one.	Back Moves back to the previous menu item.	Exit Exits the user menu. Aborts the calibration in progress.		

Notes:

- Short Press: press less than 1 second.
- Long Press: press and hold for more than 2 seconds.

Numeric keyboard (i-DT61XWE)

Primary Function (Short Press)	1-9 Enters numeric values.	. Enters decimal point (.).	0 Enters numeric values 0.	CLR Clears the entered value. Clears an existing APW. When the accumulation data is displayed, press to clear them.
Secondary Function (Long Press)		LIB Searches library items with numeric keys.	User Searches users with numeric keys.	+/- Switches between positive and negative values.

Note: for i-DT61XWE model, press the and **CLR** button together for three seconds can lock all buttons. Perform the same procedure again to unlock all buttons. When all buttons are locked, the icon will be lighted.

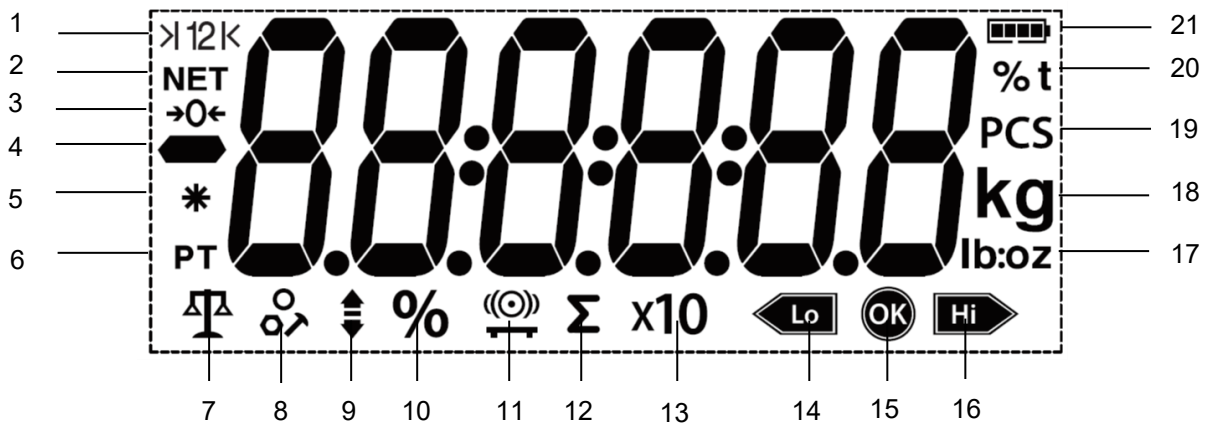


Figure 1-5 i-DT61PW Display

Item	Description	Item	Description
1	Range symbol (not used)	12	Accumulation symbol
2	NET symbol	13	Resolution extension symbol (not used)
3	Center of Zero symbol	14	Check weighing lower symbol
4	Negative symbol	15	Acceptable symbol
5	Stable weight symbol	16	Check weighing higher symbol
6	Preset Tare, Tare symbols	17	Pound, Ounce, Pound:Ounce symbols
7	Weighing mode symbol	18	Kilogram, gram symbols
8	Counting mode symbol	19	Pieces symbol
9	Check weighing mode symbol	20	Percent symbol, tonne symbol (not used)
10	Percentage weighing mode symbol	21	Battery symbol
11	Dynamic weighing mode symbol		



Figure 1-6 i-DT61XWE Display

Item	Description	Item	Description
1	NET symbol	11	Wi-Fi symbol
2	Center of Zero symbol	12	Lock symbol
3	Negative symbol	13	Dynamic (tilde) symbol
4	Stable weight symbol	14	Battery symbol (not use)
5	Preset Tare, Tare symbols	15	Pound, Ounce, Pound:Ounce symbols
6	Pointer symbols	16	Percent symbol
7	ID symbol	17	Kilogram, gram symbols
8	Accumulation symbol	18	Pieces symbol, tonne symbol (not used)
9	Library symbol	19	Scale symbol (not used)
10	User symbol		

2. INSTALLATION

2.1 Unpacking

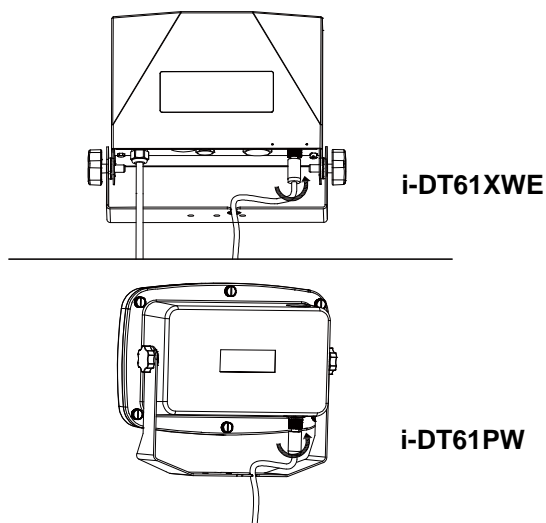
Unpack the following items:

- i-DT61PW or i-DT61XWE indicator
- 6 cells of D size dry batteries (i-DT61PW only)
- Mounting bracket
- Knobs (2)
- Quick installation guide
- Instruction manual

2.2 External Connections

2.2.1 Scale Base with EasyConnect™ Connector

To connect the OHAUS scale base with EasyConnect™ connector to the terminal, plug the base's connector onto the external load cell connector located at the bottom of the terminal. Then rotate the base connector's locking ring clockwise. Check the following illustration for details.



2.2.2 Power input to i-DT61PW

Use 6 cells of D size dry batteries. During battery operation, the battery symbol indicates the battery status.



Battery 5%~25% remaining



Battery 25%~50% remaining



Battery 50%~75% remaining



Battery 75%~100% remaining

2.2.3 AC Power to i-DT61XWE

Connect the AC plug to an electrical outlet.

2.3 Internal Connections

Some connections require the housing to be opened.

2.3.1 Opening the Housing



CAUTION: ELECTRICAL SHOCK HAZARD. REMOVE ALL POWER CONNECTIONS TO THE INDICATOR BEFORE SERVICING OR MAKING INTERNAL CONNECTIONS. THE HOUSING SHOULD ONLY BE OPENED BY AUTHORIZED AND QUALIFIED PERSONNEL, SUCH AS AN ELECTRICAL TECHNICIAN.

i-DT61PW

1. Remove the six Phillips head screws from the rear housing.
2. Remove the front housing. Be careful not to disturb the internal connections.

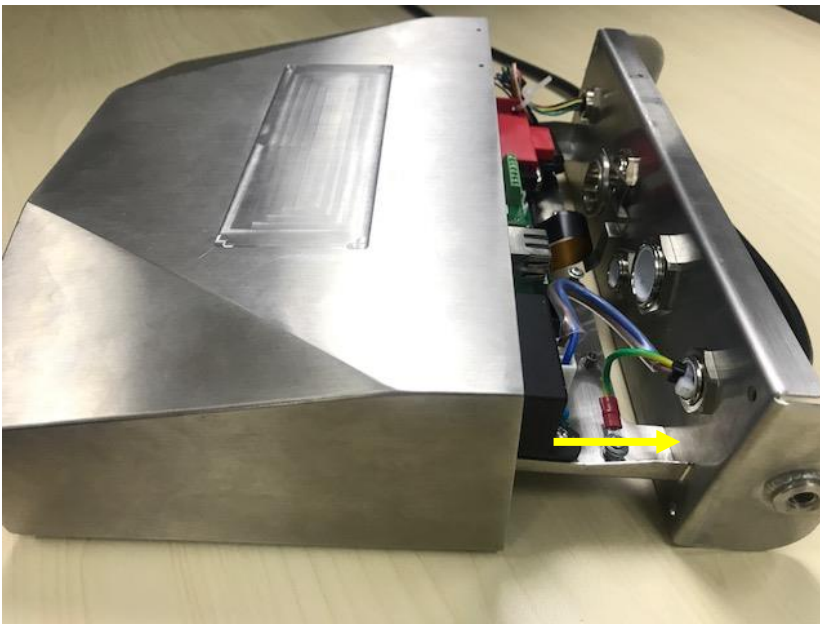
3. Once all connections are made, re-attach the front housing.

i-DT61XWE

1. Remove the four hex head screws from the bottom housing.



2. Open the housing by carefully pulling the bottom housing backward.



3. Once all connections are made, re-attach the bottom housing.

Note: The screws should be tightened to 2.5 N•m (20-25 in-lb) torque to ensure a watertight seal.

2.3.2 Scale Base without EasyConnect™ Connector

For connecting bases (which do not have the EasyConnect™ connector) to an i-DT61PW or an i-DT61XWE, a load cell cable gland kit (P/N 30379716) is available as an accessory.

Removing the pre-installed Load Cell connector and wiring harness.

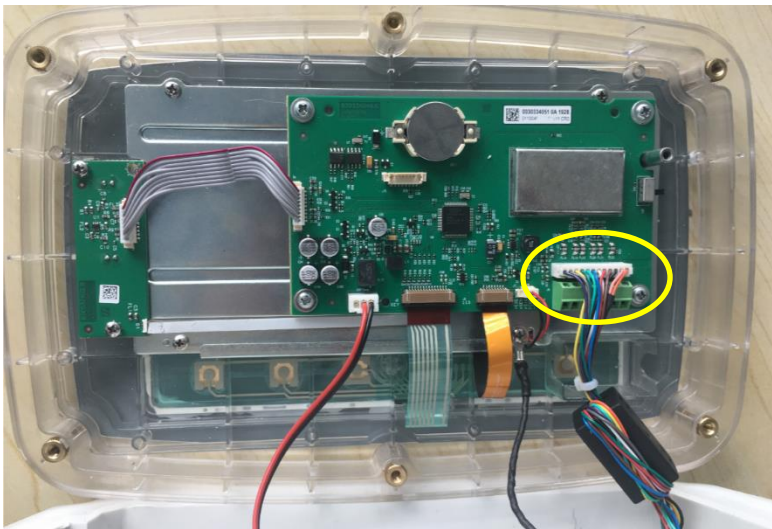
Before making the connections, remove the pre-installed load cell connector and wiring harness by following the following steps.

i-DT61PW

1. Remove the 6 Phillips head screws, and open the rear housing by carefully pulling the front housing forward.
2. Unplug the white load cell connectors from the main housing (two circles).



3. Open the front housing by removing the 12 Phillips head screws.
4. Unplug the white load cell connectors from the main PCBA board.

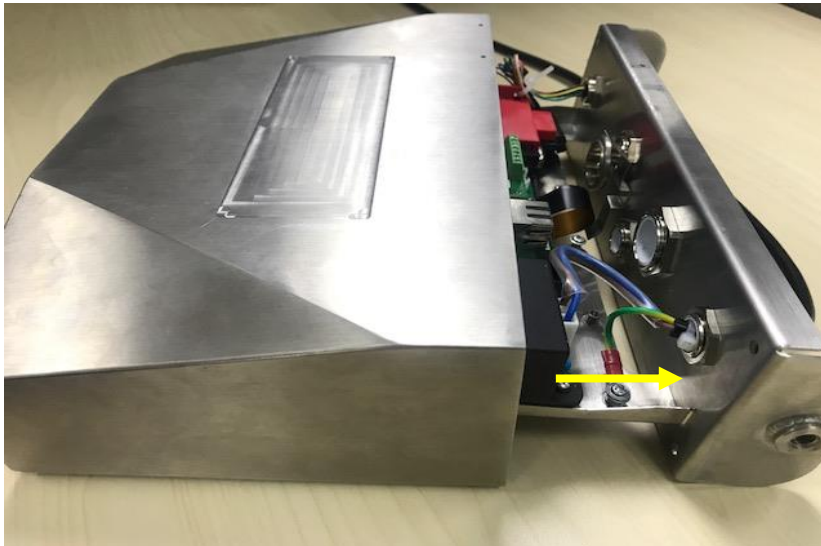


i-DT61XWE

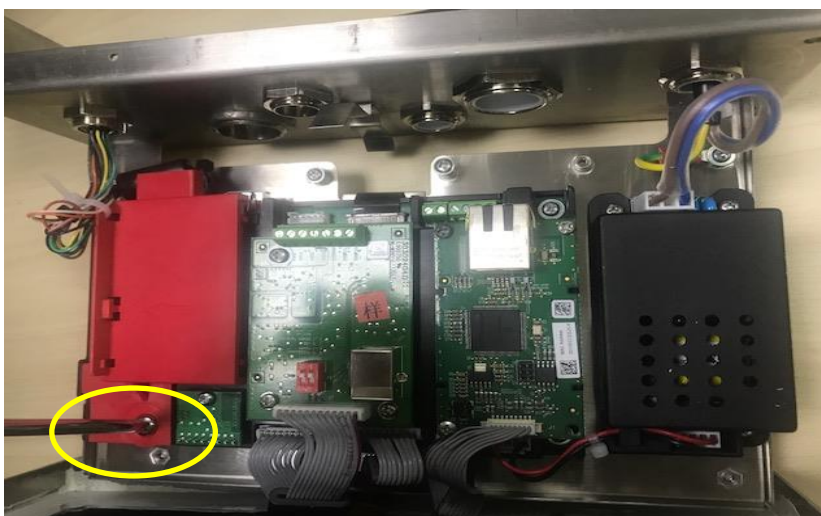
1. Place the terminal down, and unscrew the screws marked in the following graphic.



2. Pull out the bottom of the terminal.



3. Use a screw driver to unscrew the sealing cover.



4. Pull the protruding part of the sealing cover a little forward to release it.



5. Remove the sealing cover and then unplug the white load cell connectors.



Installing Load Cell Cable and Connectors

In order to meet certain electrical noise emission limits and to protect i-DT61PW and i-DT61XWE from external influences, it is necessary to install a ferrite core on the load cell cable connected to the terminal. The ferrite core is included with the terminal.

To install the ferrite, simply route the cable through the center of the core and then take one wrap around the outside of the core and route the cable through the center again. Either the complete cable or the individual wires can be wrapped through the ferrite. This should be done as close to the enclosure as possible. See Figure 2-1.



Figure 2-1

Main Board Wiring Connections

Once the i-DT61PW and i-DT61XWE enclosure is opened, connections can be made to the terminal blocks on the main board as shown in Figure 2-2.

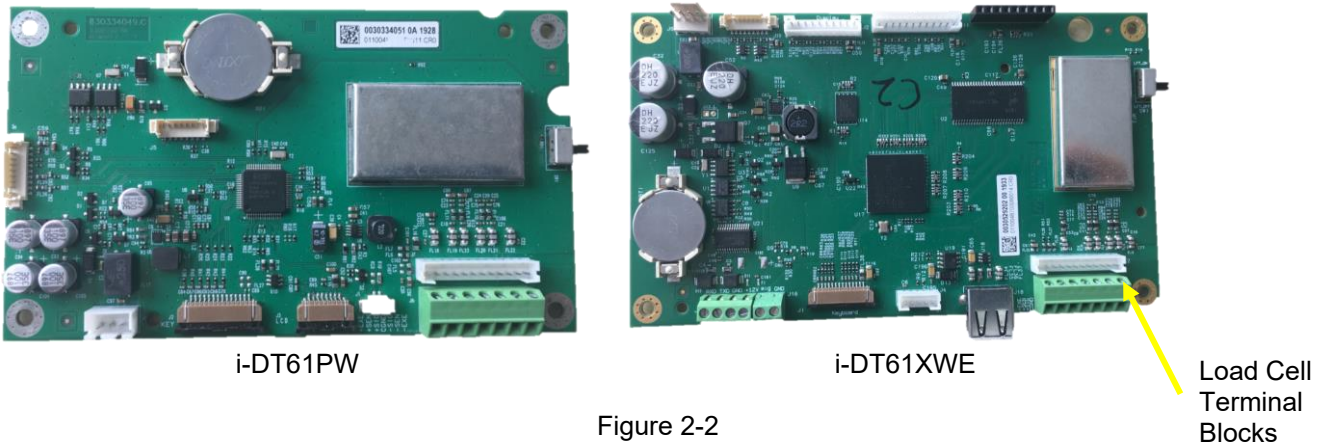
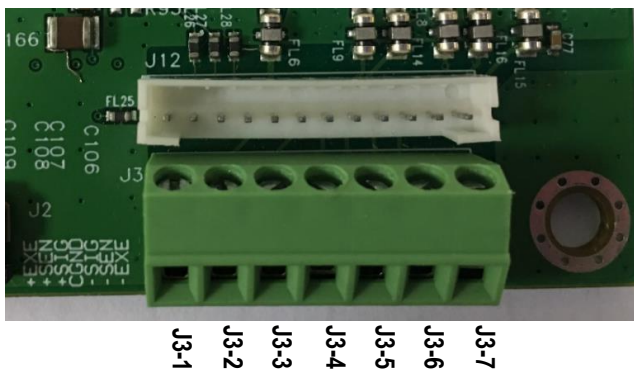


Figure 2-2

Jumper Connections

The i-DT61PW and i-DT61XWE indicators are designed to support both 2mV/V and 3mV/V load cells from the same circuitry. A load cell output rating selection jumper is not required.

Figure 2-3 shows the terminal definitions for the analog load cell terminal blocks. Note that when using four-wire load cells, jumpers must be placed between the +Excitation and +Sense terminals and between the -Excitation and -Sense terminals.



Pin	Connection
J3-1	+EXC
J3-2	+SEN
J3-3	+SIN
J3-4	GND
J3-5	-SIN
J3-6	-SEN
J3-7	-EXC

Figure 2-3 Jumper Connections

After wiring is completed, replace the indicator housing screws. Make sure the water-proof cable gland is properly tightened.

2.3.3 Communication Interface Cable to i-DT61PW

Attach the IR Communication cable (P/N: 30572910) to the indicator front panel, make sure the two holes in the interface cable module match the two bolts which located in the front panel.

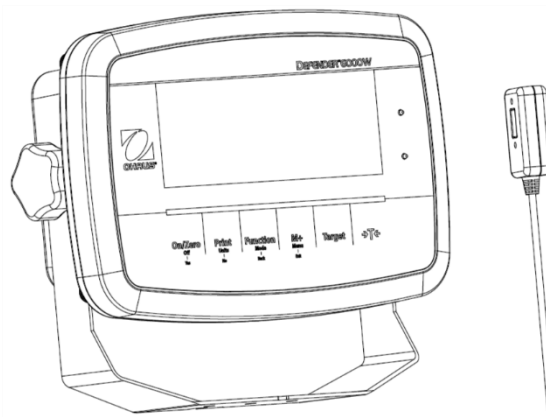


Figure 2-4

2.3.4 RS232 Interface Cable to i-DT61XWE

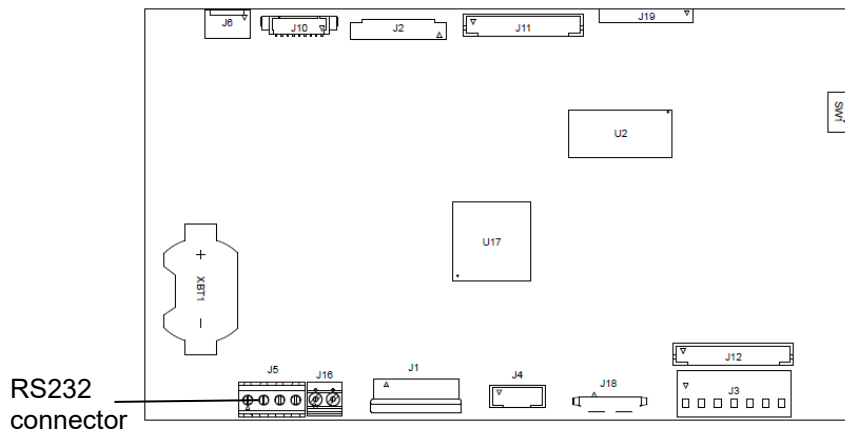
Pass the optional RS232 cable through the strain relief and attach it to the RS232 connector on the mainboard. Tighten the strain relief to maintain a watertight seal. Please refer to Figure 2-7 for the position of the serial port connector RXD TXD and GND.

Note:

- Please refer to Opening the Housing section for how to open the case of the terminal.
- For details about Discrete Input0 function, please refer to the **Discrete I/O (for i-DT61XWE)** section for details.



Figure 2-5
Strain Relief for Option



RS232
connector

Figure 2-6 RS232 connector on the
mainboard

Discrete Input0



Figure 2-7
RS232 connector

2.4 Mounting Bracket

Attach the bracket to a wall or table using fasteners (not supplied) that are appropriate for the type of mounting surface. The bracket will accommodate up to 6 mm (1/4") diameter screws. Locate the mounting holes as shown in Figure 2-8 and 2-9.

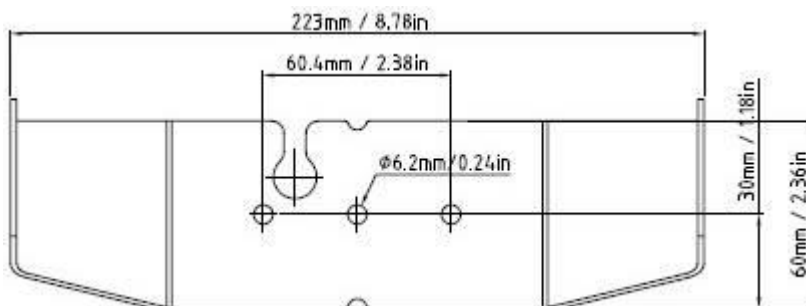


Figure 2-8 i-DT61PW
Mounting Bracket Dimensions

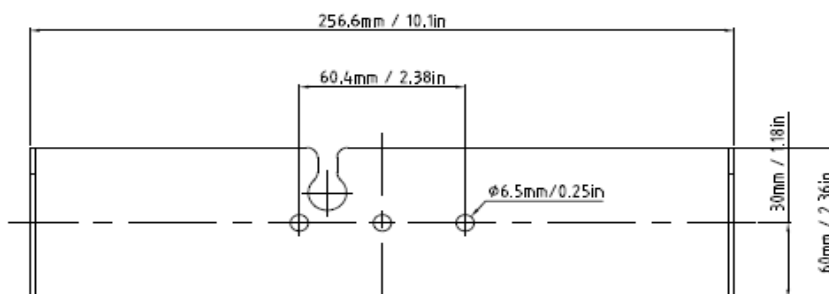


Figure 2-9 i-DT61XWE
Mounting Bracket Dimensions

3. OPERATION

3.1 Turning the Scale On/Off

To turn the scale on, press and hold the **On/Zero Off** button for 1 second. The scale performs a display test, momentarily displays the software version, and then enters the active weighing mode.


To turn the scale off, press and hold the **On/Zero Off** button until **OFF** is displayed.

3.2 Weighing Mode

Use this application to determine the weight of items in the selected unit of measure. This mode is the factory default setting.

3.2.1 Enter the Mode and Start Weighing

To enter the weighing mode from any application mode:

1. Press and hold the **Mode** button until **MODE** is displayed.
2. If needed, place an empty container on the pan and press the  button to tare.
3. Add sample to the pan or container. The display shows the weight of the sample.

Note: Please refer to the **Check** section for how to use Check in the Weighing mode.

3.2.2 Accumulation and Statistics

The Accumulation feature enables manual or automatic totalizing of displayed values. Statistical data (total accumulated weight, min/max weights, pieces, percent, and total number of samples) is stored in memory for review and printing. Accumulation works together with each application mode except Filling, but the accumulation data will be cleared when change to another mode.

3.2.2.1 Settings

There are four accumulation options:

- Off (**OFF**): disable accumulation function.
- Manual (**MANUAL**): press the **M+** button to do accumulation manually.
- Auto (**AUTO**): the scale will perform accumulation automatically.
- Accept (**ACCEPT**): the scale will perform accumulation automatically in the **Check** mode when the weight on the pan is acceptable between the under and over value you set.

To set accumulation options:

1. Long press the **Menu** button until you see **C.R.L.**
2. Short Press the **No** button one time. When you see **S.E.T.U.P.**, press the **Yes** button.
3. Short Press the **No** button several times to navigate until you see **ACCUM**. Press the **Yes** button.
4. Short Press the **No** button several times to select the accumulation option you want. The four options have been introduced above. Then press the **Yes** button to confirm.
5. Press the **Exit** button to exit.

3.2.2.2 Accumulation

Manual

Place the item on the scale and press the **M+** button to add the weight to accumulation. The Σ pointer will keep flashing until the weight is removed and the platform is stable.

Auto


Place the item on the scale. The displayed value is accumulated automatically. The Σ pointer will keep flashing until the weight is removed and the platform is stable.

Accept

Place the item on the scale in check mode. The displayed value is accumulated automatically when the weight is acceptable between the under and over value you set.

3.2.2.3 Viewing and Clearing Statistical Data

When the pan is cleared, press the **M+** button to view the accumulation and statistics results.

To clear the accumulation data, press the **CLR** button on i-DT61XWE terminal or the  button on i-DT61PW terminal while the statistical information is displayed. When the display shows **CLR.ACC**, press the

Yes button to clear the stored data and return to current mode.

Notes:

- The item must be removed from the pan before the next item can be accumulated.
- Only stable weights are stored.
- Changing modes will clear the stored accumulation data.
- When Legal for Trade is turned ON, for NTEP, gross and net weight cannot be added to the same total. If the first weight is recorded in gross, the future ones should be recorded in the same way. It is the same for net weight.

3.2.3 Check

Use this application to compare the weight of items to a target weight range. This mode is available for Weighing, Counting, Percent, and Dynamic.

3.2.3.1 Set Check Limits

i-DT61PW

1. Press the **Target** button from Weighing, Counting, Percent or Dynamic mode to set check limits.
2. The display shows **Under**.
3. Press the **Yes** button to edit the under value.
4. If there is a stored under value of the last time, the display will show it. For example: 1.0kg.
 - Press the **Yes** button if you want to use this value. Then the display shows **Over**.
 - Press the **No** button if you do not want to use this value, and skip to step 6.
5. If there is no stored value, the display shows **000000**.
6. To set a new under value, short press the **No** button several times until the desired number appears. Short press the **Yes** button to accept the number and move to the next digit. Repeat the process until all the digits are correct. Press the **Yes** button to accept the value. Then the display shows **Over**.
7. Repeat step 2 to 6 to set the over value.
8. If the values you set are invalid, the display will show **--n0--** and go back to reset.
9. If the values you set are valid, the display will go to check weighing screen.

i-DT61XWE


1. Press the **Target** button from Weighing, Counting, Percent or Dynamic mode to set check limits.
2. The display shows **Under**.
3. Press the **Yes** button to edit the under value.
4. If there is a stored under value of the last time, the display will show it.
 - Press the **Yes** button if you want to use this value.
 - Press the **No** button if you do not want to use this value or do not have a stored value. Input the needed one with the numeric keypad. Press the **Yes** button to accept the under value.
5. The display will show **Over**.
6. Repeat step 2 and 3 to set the over value.
7. If the values you set are invalid, the display will show **--n0--** and go back to reset.
8. If the values you set are valid, the display will go to check weighing screen.

3.2.3.2 Positive Check

Positive check is used to determine when the material added to the scale is within the target range. In this case the under and over values must be positive values. (The over value must be greater than the under value.) Add material to the scale platform until the display shows it is within the Accept (green) range.


3.2.3.3 Negative Check

Negative check is used to determine when the material removed from the scale is within the target range. In this case the under and over values are both negative values. The under value must be greater than the over value. (For example: the under value is -10; the over value is -15).

Place the item to be weighed on the scale and press the  button.
Remove a portion of the item until it is within the acceptable range.


3.2.3.4 Zero Check

Zero check is used when comparing subsequent samples to an initial reference sample. In this case, the under value must be a negative value and the over value must be a positive one.

Place the reference item on the scale and press the  button.
Remove material from the scale platform until the display shows it is within the Accept (green) range.

3.2.3.5 Clear Check Limits

Long press the **Target** button until the display shows the under and over values.

Press the **CLR** button of i-DT61XWE indicator or the  button of i-DT61PW indicator, the display shows **CLR.CHL**. Press the **Yes** button to clear both the under and over values.

3.2.4 Application Settings

The application can be customized for user preferences.

To enter application settings:

1. Long press the **Menu** button until you see **C.R.L**. Short press the **No** button several times until you see **M.N.D.E**. Press the **Yes** button to enter the application mode settings.
2. Short press the **No** button several times to navigate until you see the selection you want.
3. Press the **Yes** button to select.
4. Repeat step 2 and 3 several times until you finish all settings.
5. Press the **Exit** button to exit.

The Weighing Configurations are defined below (defaults in Bold).

Item	Available Settings	Comments
Weighing (LWE IGH)	On, Off	To enable Weighing

Note: you cannot disable Weighing if you are in the mode currently.

3.3 Counting Mode

Use this application to count samples of uniform weight.

3.3.1 Enter the Mode

To enter the mode:


1. Press and hold the **Mode** button until **COUNT** is displayed.
2. When the **Mode** button is released, the display shows **CLR.PWJ**.
3. If you need to clear the stored APW of the last time, press the **Yes** button. Then go to **Establish an APW** section.
Note: if the weight on the pan is larger than 1d, the display will show **CLR.PAN** until the weight is removed from the pan.
4. If you need to recall the stored APW of the last time and continue to use it, press the **No** button to start counting.
Note: if no APW has been set before, step 3 and 4 will be omitted.

3.3.2 Establish an APW

To establish an APW:

1. Follow the previous step 4.
 - **i-DT61PW:**
The display shows the sample size **Pwt. 10**. To change it, short press the **No** button several times until you see the value you want.
Note: available sample size selections are 5, 10, 20, 50 and 100 (The default is 10).
 - **i-DT61XWE:**
The display flashes with the current sample size, such as 10 Pcs. To change it, input the new sample size through the numeric keyboard. Do not press the **Yes** button until you finish the next step.
2. Place the specified quantity of samples on the pan and press the **Yes** button to capture the current stable weight.

Note:

- During the capture process, the display shows - - - - . (i-DT61PW)
- You can press the  button to tare. The center of zero, PT or NET icons will light as appropriate.
- If the APW is between 0.1d and 1d, the display shows **LD.rEF** for 1.5 seconds. Then it will start counting.
- If the APW is less than 0.1d, the display shows **rEF.Err** for 1.5 seconds and then return to showing what is displayed on step 1. Please replace the samples on the pan and press the **Yes** button to re-establish an APW value.

3.3.3 Start Counting

1. Place parts on the pan and read the number. The number of pieces and the Pcs icon are displayed.
2. Press the **Function** button to temporarily display the APW. **APWJ** is displayed for 0.5 seconds. Then the APW value is displayed for 1.5 seconds using the current unit of measurement.

Note: Please refer to **Check** in the **Weighing Mode** section for how to use Check in the Counting mode.

3.3.4 Application Settings

The application can be customized for user preferences. Please refer to **Application Settings** section in **Weighing Mode** for details about how to enter application settings.

The Counting Configurations are defined below (defaults in Bold).

Item	Available Settings	Comments
Count (COUNT)	On, Off	To enable Counting
Auto Opt. (A.OPE)	On , Off	Off: Auto Opt. is off. On: The APW will be optimized automatically during count weighing.

Note: you cannot disable Count if you are in the mode currently.

3.4 Percent Mode

Use this application to measure the weight of a sample displayed as a percentage of a pre-established reference weight.

3.4.1 Enter the Mode

To enter the percent mode from any application mode:


1. Press and hold the **Mode** button until **PERCENT** is displayed.
2. When the **Mode** button is released, the display shows **CLR.REF** and the % icon.
3. If you need to clear the stored reference weight of the last time, press the **Yes** button. Then go to step 5.
Note: If captured weight is more than or equal to 1d or is less than or equal to -1d, the display will show **CLR.PAN** until the sample is removed from the pan.
4. If you need to recall the stored reference weight of the last time and continue to use it, press the **No** button and start percent weighing.
Note: If no reference weight has been previously stored, step 3 and 4 will be omitted.
5. The display shows the **PUL.REF** and the % icon.

3.4.2 Establish a Reference Weight

To establish a reference weight:

Follow the previous step 5. When you see **PUL.REF** displayed on the screen, place the specified quantity of samples on the pan and press the **Yes** button to capture the current stable weight.

Note:

- You can press the  button to tare. The center of zero, PT or NET icons will light as appropriate.
- For i-DT61PW model, during the capture process, the display shows - - - - -.
- If the reference weight is less than 100d during the capture process, the display will show **REF.Err** for 1.5 seconds and then return to showing **PUL.REF**. Please replace the samples on the pan and press the **Yes** button to re-establish a reference weight.

3.4.3 Start Percent Weighing

1. Place a sample on the pan and read the percent. The current percent value and % icon are displayed.
2. Press the **Function** button to temporarily display the reference weight. **REF.Wgt** is displayed for 0.5 seconds. Then the reference weight value is displayed for 1.5 seconds in the current unit of measurement.

Note: Please refer to **Check** in the **Weighing Mode** section for how to use Check in the Percent Weighing mode.

3.4.4 Application Settings

The application can be customized for user preferences. Please refer to **Application Settings** section in **Weighing Mode** for details about how to enter application settings.

The Percent Weighing Configurations are defined below (defaults in Bold).

Item	Available Settings	Comments
Percent (PERCENT)	On , Off	To enable Percent Weighing

Note: you cannot disable Percent if you are in the mode currently.

3.5 Dynamic Mode

Use this application to weigh an unstable load, such as a moving animal.

3.5.1 Enter the Mode

To enter the Dynamic Weighing Mode from any application mode:

1. Press and hold the **Mode** button until **ԺԿՈՐՐԴ** is displayed.
2. The display shows **ԻԵՐԺԿ**.

3.5.2 Start Dynamic Weighing

1. To start:
 - When operation type is manual. Place the load (more than or equal to 5d) on the pan and press the **Function** button to start the averaging process.
 - When operation type is semi-automatic/automatic. Place the load (more than or equal to the Start Weight) on the pan, and the terminal will start averaging process automatically

Note: The display must be at zero gross or net value before placing the load on the pan.
2. During the averaging period, the countdown timer decreases in one second increments (For example, the set average time is 5s).

Note: If the set average time is 0s, the countdown timer is not displayed.
3. The readings are averaged and held on the display when the countdown has completed in both Countdown and Continuous mode.

In addition, for DT61XWE model:

 - The tilde symbol will blink indicating that the current weight is being held in Countdown Mode.
 - The tilde symbol will blink indicating that the current weight is being averaged in real time in Continuous Mode.

Note: If the set average time is 0s, the first weight larger than 5d will be displayed and hold.
4. To reset the countdown timer:
 - When the operation type is manual/semi-automatic, press the **Function** button to reset the countdown timer when the countdown is running. The display shows **ԻԵՐԺԿ**, and start to re-count.
 - When operation type is automatic, remove the load from the pan, and the average weight will still be displayed until the duration time is over. Then the display shows **ԻԵՐԺԿ**, and start to re-count.

Note:

 - The **ԻԵՐԺԿ** display must be at zero gross or net value in order to reset the countdown timer.
 - Please refer to **Check** in the **Weighing Mode** section for how to use Check in the Dynamic Weighing mode.

3.5.3 Application Settings

The application can be customized for user preferences. Please refer to **Application Settings** section in **Weighing Mode** for details about how to enter application settings.

The Dynamic Weighing Configurations are defined below (defaults in Bold).

Item	Available Settings	Comments
Dynamic Mode (ԺԿՈՐՐԴ)	Countdown (Հ.ԺՕԼՆԴ) / Continues (ՀՕՈԷ)/ Off (ՕԲԲ)	Count down: There is a countdown time. Continuous: Averaging will be continued after the countdown time.
Dynamic Operation Type (Ժ.ԷԿՄԲԷ)	Manul (ԲԴՐՐՐ) / Semi-auto (ՏԵՐԴ Ի)/ Auto (ԲԱԷԾ)	Manual: The averaging process is started and reset manually. Semi-auto: The averaging process is started automatically and reset manually. Auto: The averaging process is started and reset automatically.
Start Weight (Տ.ԼՆՄԵԷ)	0 ~ Capacity Weight	Dynamic weighing will start when the load is bigger than the start weight (for Semi-auto and Auto mode).
Duration Time (Ժ.Է ԻՐԴԷ)	1 ~ 10 s	It is the time for the display to remain the dynamic weighing result after the load is removed.
Average Time (Բ.Է ԻՐԴԷ)	0 ~ 30 s	Time in Seconds. If the average time is 0, the first stable weight (more than or equal to 5d) will be the result.

Note: you cannot disable Dynamic if you are in the mode currently.

3.6 Filling Mode

Use this application to fill a container to a pre-determined target weight.

Note: filling mode is only available for i-DT61XWE model.

3.6.1 Enter the Mode

To enter the Filling mode from any application mode:

1. Press and hold the **Mode** button until **F LL** is displayed.
2. The actual weight is displayed on the display.

3.6.2 Start Filling

1. When the scale is in stop or pause status, press the **Function** button to start filling process. The output port will be enabled.
2. Add weight on the pan. When one set point (SP1/SP2/SP3/SP4) is reached, the related output port will be disabled.
3. When the scale is in start or pause status, press the **Function** button to stop filling process. The output port will be all disabled.

3.6.3 Resume and Pause Filling

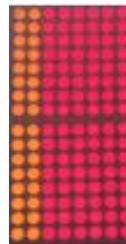
1. When the scale is in pause status, press the **Target** button to resume the filling process. The output port will be enabled or disabled according to the current load value.
2. When the scale is in start status, press the **Target** button to pause the filling process. The output port will be all disabled, and the display will be frozen.

3.6.4 Display of the Dot Matrix Screen

The Dot Matrix Display will be divided into one to four columns according to how many set points (SP) are valid. The maximum is four columns. For example, if you set four SPs, then the screen will be divided into four columns. In addition, the screen will display different colors according to the load value.

For example:

1. You set four valid SP values and SP1 is less than SP2, SP2 less than SP3, SP3 less than SP4. Then the screen will be divided into four columns.
2. To start filling, if the first load is less than SP1, the first column displays orange, and others red.
3. If continue to fill the second time, and the total load is now more than or equal to SP1 while less than SP2, the first column displays green, the second orange, and others red.



- 4. After that to fill the third time, if the total load is now more than or equal to SP2 while less than SP3, the first two columns display green, the third orange, and others red.



- 5. To load the fourth time, if the total load is now more than or equal to SP3 while less than SP4, the first three columns display green, and the fourth one orange.



- 6. Nevertheless, if the total load is more than SP4, all the four columns turn red and the instrument will be in a stop state.



3.6.5 Application Settings

The application can be customized for user preferences. Please refer to **Application Settings** section in **Weighing Mode** for details about how to enter application settings.

The Filling Configurations are defined below (defaults in Bold)

Item	Available Settings	Comments
Filling (F ILL)	On , Off	To enable Filling Weighing

Note: you cannot disable Filling if you are in the mode currently.

4. MENU SETTINGS

The User Menu allows the customizing of scale settings.

Note: Additional Sub-Menus may be available if Interface Options are installed. See Interface User Manual for the additional setting information.

4.1 Menu Navigation

4.1.1 User Menu

For i-DT61PW model

C.A.L	S.E.t.U.P	r.E.A.d	U.n.i.t	G.M.P	A.S.2.3.2	P.r.i.N.t	L.o.c.t	E.n.d
ZE-rD	rESEt	rESEt	rESEt	rESEt	rESEt	rESEt	rESEt	rESEt
SPAN	C.UNIt	StAbLE	WJEIGH	kg	d.Frnt	bAUD	ASSIGN	L.ALL
LINE	CAP	ZE-rD	COUNT	g	dAtE	PARtY	StAbLE	L.OFF
GEO	GrAd	FILtEr	A.OPt	lb	t.Frnt	StOP	MODE	L.ZE-rD
C.tESEt	P.ZE-rD	AZt	PE-rCt	oz	t.IFrnt	H.SHARtE	t.IFrnt	L.PrINt
End	P.UNIt	b.LIGHt	dYNAMIc	lb;oz	P.Id	ALt.P	C.SUMm	L.UNIt
	A.tArE	S.SAUEr	d.tYPE	End	S.Id	ALt.t	t.EFrnt	L.MODE
	ACCUMm	A.OFF	d.t.IFrnt		End	ALt.2	End	L.MENU
	t.Ct	P.SAUEr	A.t.IFrnt			End		L.tArE
	t.NEMt	End	End					L.tArGE
	End							End

For i-DT61XWE model

C.A.L	S.E.t.U.P	r.E.A.d	U.n.i.t	G.M.P	A.S.2.3.2	P.r.i.N.t	I.O.	L.o.c.t	L.Ib	U.S.E.r	U.S.b	E.n.d
ZE-rD	rESEt	rESEt	rESEt	rESEt	rESEt	rESEt	rESEt	rESEt	rESEt	NEW	NEW	rESEt
SPAN	C.UNIt	StAbLE	WJEIGH	kg	d.Frnt	bAUD	ASSIGN	tYPE	L.ALL	EdIt	EdIt	tYPE
LINE	rANGE	ZE-rD	PE-rCt	g	dAtE	PARtY	StAbLE	INPUT1	L.OFF	End	End	E.MENU
GEO	CAP1	FILtEr	dYNAMIc	lb	t.Frnt	StOP	MODE	INPUT2	L.ZE-rD			I.MENU
C.tESEt	GrAd1	AZt	d.tYPE	oz	t.IFrnt	H.SHARtE	t.IFrnt	OUT1	L.PrINt			E.LIb
End	CAP2	LIGHt	S.Lwt	lb;oz	P.Id	ALt.P	C.SUMm	OUT2	L.UNIt			L.Ib
	GrAd2	S.SAUEr	d.t.IFrnt	End	S.Id	ALt.t	t.EFrnt	OUT3	L.FUNC			E.USER
	P.ZE-rD	A.OFF	A.t.IFrnt		End	ALt.2	End	OUT4	L.MODE			I.USER
	P.UNIt	L.tEY	FILL			End		End	L.MENU			LENGtH
	A.tArE	End	End						L.tArE			S.dIGHt
	ACCUMm								L.tArGE			
	t.bEEP								End			
	t.CLICt											
	bP.SIGH											
	L.SIGN											
	Ir.FUNC											
	Ir.RdJ											
	t.Ct											
	t.NEMt											
	PlWd.EN											
	PlWd											
	End											

Notes:

Some modes/units may not be available in all models.

When LEGAL FOR TRADE is turned **ON** (the lock switch is in the locked position), the menu settings will be affected as below:

- Calibration (**C.A.L**) menu is not accessible.

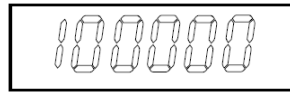
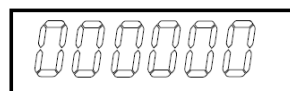
- Zero Range setting is locked at 2%.
- Stable Range setting is locked at 1d.
- Auto-Zero Tracking setting is locked at 0.5d.
- Filter and Units are locked at their current settings.
- Stable Only is locked to be **On**.
- Auto Print/Continuous is disabled.
- Lb;oz unit is locked Off.

4.1.2 Button Navigation

- The **Yes** button: allows entry into the displayed menu.
Accepts the displayed setting and advances to the next item.
- The **No** button: rejects entry into the displayed menu.
Rejects the displayed menu and move on to the next selection.
- The **Back** button: moves backwards through the upper and middle level menus.
Backs out of a list of selectable items to the previous middle level menu.
- The **Exit** button: exits from menu directly to the active weighing mode.

For menu items with numeric settings such as Capacity, the current setting is displayed with all digits flashing. To revise:

1. Press the **No** button to begin editing.
2. The first digit is displayed flashing.
3. Press the **No** button to increase the digit or press the **Yes** button to accept the digit and move to the next one.
4. Repeat this process for all digits.
5. Press the **Yes** button when the last digit has been set.
6. The new setting is displayed with all digits flashing. Press the **Yes** button to accept the setting or press the **No** button to resume editing.
7. To end the current menu selection, press the **Yes** button to advance to the next menu, or press the **No** button to return to the top of the current menu.



Note: For i-DT61XWE model, the numeric value can be input by the numeric keypad directly.

4.2 Calibration Menu

Enter this menu to perform calibrations.

4.2.1 Initial Calibration

When the scale is operated for the first time, a zero and span calibration are recommended to ensure accurate weighing results.

Before performing the calibration, be sure to have the appropriate calibration weights as listed in table 4-1. Ensure that the LFT switch/calibration lock is set to the unlocked position.

Or adjust the GEO setting according to your location.

TABLE 4-1

Required Span Calibration Mass (sold separately)			
Max	Mass*	Max	Mass*
3000g	3kg / 5lb	30000g	30kg / 50lb
6000g	6kg / 10lb	60000g	60kg / 100lb
15000g	15kg/25lb	150000g	150kg / 250lb

Note:

- When active unit is g or kg, the calibrating unit will be in kg.
- When active unit is lb, oz or lb:oz, the calibrating unit will be in lb.
- For linearity calibration, the calibration Mass is fixed. The Mid-point is always half of the full capacity.

4.2.2 Zero Calibration [**ZERO**]

Zero calibration uses one calibration point. The zero calibration point is established with no weight on the scale. Use this calibration method to adjust for a different static load without affecting the span or linearity calibration.

Calibration procedures:

1. Long press the **Menu** button until you see **C.A.L.** Press the **Yes** button.
2. The display shows **ZERO**. Press the **Yes** button.
3. The display flashes **0** kg and the calibration unit. With no weight on the pan, press the **Yes** button to establish the zero point.
4. The display shows **--C--**, and then **-DONE-** when the Zero calibration is finished.

Note:

If zero calibration is failed or if after 40 seconds the calibration is still not successful, **CAL E** is displayed for 3 seconds and the previous calibration data is restored. The scale exits to the active weighing mode and displays the actual weight value in the current weighing unit.

5. Then the display shows **SPAN**. Press the **Exit** button to exit.

4.2.3 Span Calibration [**SPAN**]

Span calibration uses one point. The span calibration point is established with a calibration mass placed on the scale.

Note: Span calibration should be performed after zero calibration.

Calibration procedures:

1. Long press the **Menu** button until you see **C.A.L.** Press the **Yes** button.
2. Short press the **No** button to navigate until you see **SPAN**. Press the **Yes** button.
3. The display flashes with the calibration point and calibration unit based on the capacity and unit set in the capacity menu. (e.g. **030.000** kg). If you do not need to change the calibration point, skip to step 5.
4. To change the calibration point:
 - i-DT61PW: short press the **No** button several times until the desired digit appears. Short press the **Yes** button to accept the digit and move to the next one. Repeat the process until all the digits are correct. Press the **Yes** button to accept the calibration point. The display flashes with the calibration point you set.
 - i-DT61XWE: input the calibration point through the numeric keys. (Do not press the **Yes** button until you finish step 5.)
5. Place a calibration mass of the specified weight on the pan and press the **Yes** button.

6. The display shows **--[]--**, and then **-DONE-** when the calibration is finished.
7. Then the display shows **L IN**. Press the **Exit** button to exit.

Note:

- If calibration is failed, **CAL E** is displayed for 3 seconds and the previous calibration data is restored. The scale exits to the active weighing mode and displays the actual weight value in the current weighing unit.
- If after waiting for 40s the calibration is still not successful, **CAL E** is displayed for 3 seconds and the previous calibration data is restored. The scale exits to the active weighing mode and displays the actual weight value in the current weighing unit.

4.2.4 Linearity Calibration [L IN]

Linearity calibration uses 3 calibration points. The full calibration point is established with a weight on the scale. The mid calibration point is established with a weight equal to half of the full calibration weight on the scale. The zero calibration point is established with no weight on the scale. The full calibration and mid calibration points can be altered by the user during the calibration procedure.

Calibration procedures:

1. Long press the **Menu** button until you see **C.A.L.** Press the **Yes** button.
2. Short press the **No** button several times to navigate until you see **L IN**. Press the **Yes** button.
3. The display flashes with **0 kg** and the calibration unit. With no weight on the pan, press the **Yes** button to establish the zero point.
4. The display shows **--[]--**, and then moves to flash with the first calibration point and calibration unit based on the capacity and unit you set in the capacity menu. (For example, **0 15.000 kg**). If you do not need to change the calibration point, skip to step 6.
5. To change the calibration point:
 - i-DT61PW: short press the **No** button several times until the desired digit appears. Short press the **Yes** button to accept the digit and move to the next one. Repeat the process until all the digits are correct. Press the **Yes** button to accept the calibration point. The display flashes with the calibration point you set.
 - i-DT61XWE: input the calibration point through the numeric keys. (Do not press the **Yes** button here until you finish step 6).
6. Place a calibration mass of the specified weight on the pan and press the **Yes** button.
7. The display shows **--[]--**, and then moves to flash with the second calibration point and calibration unit based on the capacity and unit you set in the capacity menu. (For example, **030.000 kg**).

Note:

If after waiting for 40s the calibration is still not successful, **CAL E** is displayed for 3 seconds and the previous calibration data is restored. The scale exits to the active weighing mode and displays the actual weight value in the currently selected weighing unit.

8. Repeat step 5 and 6.
9. The display shows **--[]--**, and then **-DONE-** when the Linearity calibration is finished.
10. Then the display shows **GEO**. Press the **Exit** button to exit.

4.2.5 GEO Adjustment [GEO]

Geographical Adjustment Factor (GEO) is used to adjust the calibration based on the current location. Settings from 0 to 31 are available with 12 being the default.

Please refer to the **Table of Geo Values** section in the **Technical Data** chapter to determine the GEO factor that corresponds to your location.

To set the GEO factor:

1. Long press the **Menu** button until you see **C.A.L.** Press the **Yes** button.
2. Short press the **No** button several times to navigate until you see **GEO**. Press the **Yes** button.
3. The display flashes with the Geo point (For example, **12**).
4. Short press the **No** button several times until the desired GEO number appears. Press the **Yes** button to finish setting.
5. Then the display shows **C.tESEt**. Press the **Exit** button to exit.

4.2.6 Calibration Test [C.tE5t]

Calibration test procedures:

1. Long press the **Menu** button until you see **C.R.L.** Press the **Yes** button.
2. Short press the **No** button several times to navigate until you see **C.tE5t**. Press the **Yes** button.
3. The display flashes with **0** and the calibration unit based on the capacity and unit you set in the capacity menu. With no weight on the pan, press the **Yes** button to establish the zero point.
4. The display shows **--t--** while the zero point is recorded.
5. The display flashes with the calibration weight and the unit of the last time. (For example, **0 15.000** kg).
6. To change the test calibration weight:
 - i-DT61PW: short press the **No** button several times until the desired digit appears. Short press the **Yes** button to accept the digit and move to the next one. Repeat the process until all the digits are correct. Press the **Yes** button to accept the calibration point.
 - i-DT61XWE: press the numeric keys to edit the weight. (Do not press the **Yes** button here until you finish step 7).
7. Place the specified test weight on the pan and press the **Yes** button.
8. The display flashes with the difference between the calibration data and the test weight. (For example, **0.0 10** kg). If the terminal is connected to a printer or other devices, the result of the Calibration Test will be printed.
9. After 5 seconds, the test ends and the scale returns to the active weighing mode with the display of the current weight.

4.2.7 End Cal [End]

When **End** is displayed, press the **Yes** button to exit this menu and advance to the next Sub-menu or press the **No** button to advance to the first menu item in the this Sub-menu.

4.3 Setup Menu

Enter this menu **5.E.L.U.P** to set scale parameters. Default settings are in **bold**.

For i-DT61PW model

Menu	Sub-Menu	Sub-Menu (in segment)	Options	Options (in segment)
Setup 5.E.L.U.P	Reset	rESEt	no, yes	NO, YES
	Capacity Unit	C.UN t	kg, lb, t, g	/
	Capacity	CAP	1-999999	/
	Graduation	GrAd	0.0001~100	/
	Power On Zero	P.ZErD	Off, On	OFF, ON
	Power On Unit	P.UN t	Auto , g, kg, lb, oz, lb:oz, t	AUTO
	Auto Tare	A.tArE	Off, On, Accept	OFF, ON, ACCEPT
	Accumulation	ACCUM	Off, Auto, Manual, Accept	OFF, MANUAL, AUTO, ACCEPT
	Transaction Counter	t.CNt	Off, On	OFF, ON
	Next Transaction	t.NEXt	1-999999	/
	End	End	\	/

For i-DT61XWE model

Menu	Sub-Menu	Sub-Menu (in segment)	Options	Options (in segment)
Setup 5.E.L.U.P	Reset	rESEt	no, yes	NO, YES
	Capacity Unit	C.UN t	kg, lb	/
	Range	r.RANGe	Single , Dual	SINGLE, DUAL
	> 1 < Capacity	CAP 1	1-999999	/
	> 1 < Graduation	GrAd 1	0.0001~100	/
	> 2 < Capacity [Range=Dual]	CAP2	1-999999	/
	> 2 < Graduation [Range=Dual]	GrAd2	0.0001~100	/
	Power On Zero	P.ZErD	Off, On	OFF, ON
	Power On Unit	P.UN t	Auto , g, kg, lb, oz, lb:oz	AUTO
	Auto Tare	A.tArE	Off, On, Accept	OFF, ON, ACCEPT
	Accumulation	ACCUM	Off, Auto, Manual, Accept	OFF, MANUAL, AUTO, ACCEPT
	Key Beep	t.bEEP	Off, On	OFF, ON
	Key Click Type	t.CL ICt	single , double	SINGLE, DOUBLE
	Check beep signal	bP.S IG	off , under, over, accept, under-over	OFF, UNDER, OVER, ACCEPT, UN-OV
	Check light signal	L.S IG	block , bar, segment	BLOCK, BAR, SEGMENT
	IR Func	Ir.FUNC	Disp , Zero, Tare, Print	DISP, ZErD, tArE, Pr INt
	IR Adjust	Ir.AdJ	OFF, LOW, HI	OFF, LOW, HI
	Transaction Counter	t.CNt	Off, On	OFF, ON
	Next Transaction	t.NEXt	1-999999	/
PasswordEnable	P.Wd.EN	Off, On	OFF, ON	
End	End	\	/	

Reset [rESEt]

Reset the Setup menu to factory defaults.

no = do not reset

YES = reset

Capacity Unit [C.UN It]

Select the unit used for calibration.

t (Metric Tonne)

g

kg

lb

Note: t and g are not available for i-DT61XWE model.

Range [rRNGE]

Note: This setting is only available for i-DT61XWE model.

Set the number of weighing intervals.

This terminals can be configured to use single or dual interval. Each interval can be assigned its own graduation. If dual interval is selected, the graduation will change when the weight reaches the second interval.

When **Single** interval is selected, the additional parameters available are:

>|1|< Capacity

>|1|< Graduation

When **Dual** interval is selected, the terminal functions with two intervals, each with its own capacity and graduation. In addition to the Interval 1 capacity and graduation parameters, the following two parameters are available:

>|2|< Capacity

>|2|< Graduation

Capacity [CAP] / Capacity1 [CAP 1]

Set the capacity of the scale or the capacity of the first scale (for i-DT61XWE model).

1...999999

Grad [GrAd] / Grad1 [GrAd 1]

Set the scale readability or the readability of the first scale for i-DT61XWE model from 0.0001 to 100.

0.0001~100

Capacity2 [CAP2]

Set the capacity of the second scale for i-DT61XWE model.

Grad2 [GrAd2]

Set the readability of the second scale for i-DT61XWE model.

Power On Zero [P.ZEr0]

Zero the scale at Power On.

OFF = disabled.

ON = enabled.

Power On Unit [P.UN It]

Set the unit that will be displayed at Power On.

RUt0 = last unit in use when turned off

kg = kilograms

g = grams

lb = pounds

oz = ounces

lb:oz = pound ounces

t = metric tonne (only available for i-DT61PW model)

Auto Tare [A.TARE]

Set the automatic tare functionality.

OFF = automatic tare is disabled.

ON = the first stable gross weight is tared.

ACCEPT = stable gross weights within the acceptable limits are tared (in Check mode).

Accumulation [ACCUM]

Set the accumulation functionality.

OFF = accumulation is disabled.

AUTO = perform accumulation automatically.

MAN = perform accumulation manually.

ACCEPT = perform accumulation when weights are within the acceptable limits (in Check mode).

Note: For details about accumulation, please refer to **Accumulation and Statistics in Weighing Mode** section.

Transaction Counter [T.CNT]

The transaction counter is a seven-digit counter that tracks the total transactions. When the value reaches 9,999,999, the next transaction causes a roll-over to 0000001.

OFF = the transaction counter will not increase.

ON = the transaction counter will increase with the additional menu item Next Transaction available.

Note: If the transaction counter is set to be ON, the count number will increase when press the **Print** button.

Next Transaction Counter [T.NEXT]

Set the value of the next transaction displays in the Next Transaction field.

1~999999

Key Beeper [T.BEEP]

Set whether the beeper is enabled when a button is pressed.

OFF = no sound

ON = sound

Note: This setting is only available for i-DT61XWE model.

Key Click Type [T.CL ICT]

SINGLE = single click the button to execute operation.

DOUBLE = double click the button to execute operation.

Note: This setting is only available for i-DT61XWE model.

Beeper Signal [BP.S IG]

Set the condition for beeper sound in Check Weighing mode.

OFF = the beeper is disabled.

UNDER = the beeper sound is enabled when the weight is below the under value you set.

OVER = the beeper sound is enabled when the weight is above the over value you set.

ACCEPT = the beeper sound is enabled when the weight is within the acceptable range you set.

UN-OV = the beeper sound is enabled when the weight is below the under value or above the over value you set.

Note: This setting is only available for i-DT61XWE model.

Check Light signal [L.S IG]

Set how the display shows in Check mode for over, under and acceptable weight.

BLOCK = the light is shown in block.

BAR = the light is shown in bar.

SEGMENT = the light is shown in segment.

Note: This setting is only available for i-DT61XWE model.

IR Function [Ir.FUNC]


Define the operation for the Infrared Radiation Sensor.

ZERO = the scale performs zero operation equal to pressing the **Zero** button.

TARE = the scale performs tare operation equal to pressing the  button.

PRINT = the scale performs print operation equal to pressing the **Print** button.

DISPLAY = turns on the backlight.

Wave you hand before the  icon on the control panel to perform the operation you set.

Note: This setting is only available for i-DT61XWE model.

IR Adjust [Ir.Adj]

Define the response distance of the Infrared Radiation Sensor.

OFF = the IR sensor is disabled.

L0J = the sensor will respond within 50mm/2 inches.

H10H = the sensor will respond within 100mm/4 inches.

Note: This setting is only available for i-DT61XWE model.

Password Enable [PLJd.En]

Define if you need password to enter menu. When is it turned on, you need to input the password each time you enter menu.

OFF = to disable password function.

ON = to enable password function.

Password [PLJd]

This sub-menu will only appear when Password Enable menu is selected to be on.

The display flashes with **_**, input the new password through the numeric keyboard. Press the **CLR** button to change your inputs. Press the **Yes** button when you finish.

End Setup [End]

Advance to the next menu or return to the top of the current menu.

4.4 Readout Menu

Enter this menu to set user preferences. Default settings are in **bold**.

Menu	Sub-Menu	Sub-Menu (in segment)	Options	Options (in segment)
Read Out (r.E.R.d)	Reset	rESEt	no, yes	no , YES
	Stability	StAbLE	0.5d, 1d , 2d, 5d	0.5d , 1d , 2d, 5d
	Zero Range	ZErO	2%, 100%	2 , 100
	Filter Level	F ILtEr	Low, Medium , High	LOW Med , HIGH
	Auto Zero Track	AZt	Off, 0.5d , 1d, 3d	OFF , 0.5d , 1d , 3d
	Bright Level (i-DT61XWE)	L IGht	Low, Medium , High	Med , HIGH , LOW
	Back Light (i-DT61PW)	b.L IGht	Off , On, Auto	OFF , ON , Auto
	Screen	S.SRUEr	Off, 1min, 2min, 5min (i-DT61PW) Off, 5min, 10min, 30min (i-DT61XW)	OFF , 1 , 2 , 5 (i-DT61PW) OFF , 5 , 10 , 30 (i-DT61XW)
	Auto Off	A.OFF	Off , 5min, 10min, 30min	OFF , 5 , 10 , 30
	P.SAVE (i-DT61PW)	P.SAVEr	ON , OFF	ON , OFF
	L.KEY (i-DT61XWE)	L.KEY	Off , 0.5min, 1min, 2min, 5min	OFF , 0.5 , 1 , 2 , 5
	End	End	\	

Reset [rESEt]

Reset the readout menu to factory defaults.

- no** = do not reset.
YES = reset

Stability [StAbLE]

Set the amount the reading can vary before the stability symbol turns off.

- 0.5d** = 0.5 scale division
1d = 1 scale division
2d = 2 scale division
5d = 5 scale division

Zero [ZErO]

Set the percentage of scale capacity that may be zeroed.

- 2%** = zero range is +/-2%
100% = zero range is +/-100%

Filter [F ILtEr]

Set the amount of signal filtering.

- LOW** = faster stabilization time with less stability.
Med = normal stabilization time with normal stability.
HIGH = slower stabilization time with more stability.

AZT [AZt]

Set the automatic zero tracking functionality.

- OFF** = disabled
0.5d = the display will maintain zero until a change of 0.5 divisions per second has been exceeded.
1d = the display will maintain zero until a change of 1 divisions per second has been exceeded.
3d = the display will maintain zero until a change of 3 divisions per second has been exceeded.

Bright Level [L IGHE]

Set the display bright level.

L0L0 = bright Level is low

00Ed = bright Level is medium

H IGH = bright Level is high

Note: This setting is only available for i-DT61XWE model.

Backlight [b.L IGHE]

Set the display backlight functionality.

OFF = backlight is disabled.

ON = backlight is enabled.

Auto = backlight is disabled after 5 seconds of no activity.

Note: This setting is only available for i-DT61PW model.

Screen [SCREEN]

Set whether the screensaver is enabled after the selected time period.

For i-DT61PW:

OFF = screensaver is disabled

1 = the screensaver is enabled after 1 minute of no activity.

2 = the screensaver is enabled after 2 minute of no activity.

5 = the screensaver is enabled after 5 minute of no activity.

For i-DT61XWE:

OFF = screensaver is disabled

5 = the screensaver is enabled after 5 minute of no activity.

10 = the screensaver is enabled after 10 minute of no activity.

30 = the screensaver is enabled after 30 minute of no activity.

Lock Key [LKEY]

Set to lock all keys after the selected time period.

OFF = disabled

0.5 = keys are locked after 30 seconds of no activity.

1 = keys are locked after 1 minutes of no activity.

2 = keys are locked after 2 minutes of no activity.

5 = keys are locked after 5 minutes of no activity.

Auto Off [A.OFF]

Set whether the display enters sleep mode after the selected time period.

OFF = disabled

5 = the display enters sleep mode after 5 minute of no activity.

10 = the display enters sleep mode after 10 minute of no activity.

30 = the display enters sleep mode after 30 minute of no activity.

P.SAVE [P.SAVER]

Set whether to enable power saving mode after the scale enters standby mode.

ON = power saving is enabled.

OFF = power saving is disabled.

Note: this setting is only for i-DT61PW model.

End Readout [End]

Advance to the next menu or return to the top of the current menu.

4.5 Unit Menu

Enter this menu **U.N. I.E** to activate the desired units.

Reset
 Gram (g)
 Kilogram (kg)
 Pound (lb)
 Ounce (oz)
 Pound:Ounce (lb:oz)
 Tonne (t) (only available for i-DT61PW model)
 End

Note:

- Due to national laws, the indicator may not include some of the units listed.
- If the Security Switch is turned on, the Units are locked at their current setting.
- Available units vary by model and local regulations.

4.6 GLP/GMP Menu

Enter this menu to set the Good Laboratory Practice (GLP) or Good Manufacturing Practice (GMP) data.

Reset [**r.E5E4**]

If Reset is selected and confirmed, all the submenu value will be set to default.

Data Format [**d.F77E**]

Set the date format.

MDY [**77dY**] = Month.Day.Year

DMY [**d77Y**] = Day.Month.Year

YMD [**Y77d**] = Year.Month.Day

Date [**dA4E**]

Set the date according to the previous Date Format you set.

For example, you set YMD (Year. Month. Day) for the Date Format, and the data you are going to input is 2020/4/17.

Then set the date as: 20.04.17 (Year. Month. Day)

Time Format [**t.F77E**]

Set the time format.

24 hr = 24 hour format.

12 hr = 12 hour format.

Time [**t.77E**]

Set the time.

24 hour format

00 to 23 = hour position

00 to 59 = minute position

12 hour format:

00 to 12 = hour position

00 to 59 = minute position

For how to input the number of the time, please refer to the following project ID section for details.

Note: for i-DT61XWE model, you cannot use the numeric keyboard to input the time.

Project ID [P. id]

Set the Project identification number.

To set the number, short press the **No** button several times until the desired number appears. Short press the **Yes** button to accept the number and move to the next digit. Repeat the process until all the digits are correct. Press the **Yes** button to accept the value.

For i-DT61XWE model, you can input the Project ID through the numeric keyboard.

Scale ID [5. id]

Set the scale identification.

Please refer to the **Project ID** section about how to set the number.

For i-DT61XWE model, you can input the Scale ID through the numeric keyboard.

End [End]

Advance to the next menu or return to the top of the current menu.

4.7 Communication

Enter this menu to define external communication methods and to set printing parameters.

Data may be output to either a printer or PC.

Factory default settings are shown in bold.

4.7.1 RS232 Menu

Enter this menu to define communication parameters.

Note: 2nd RS232 is only available for i-DT61XWE model.

Menu	Sub-Menu	Sub-Menu (in segment)	Options	Options (in segment)
RS232 (r.5.2.3.2) / 2nd SERIAL PORT (2.5.E.r. 1A)	Baud Rate	bAUd	300, 600, 1200, 2400, 4800, 9600 , 19200, 38400, 57600	/
	Parity	PARITY	7 Even, 7 Odd, 7 None, 8 None	7 EVEN , 7 Odd , 7 NONE , 8 NONE
	Stop Bit	STOP	1 bit , 2 bit	/
	Handshake	HSHAKE	None , Xon/Xoff	NONE , ONOFF
	Alt Print CMD	ALt.P	'A' ~ 'Z', P	/
	Alt Tare CMD	ALt.t	'A' ~ 'Z', T	/
	Alt Zero CMD	ALt.z	'A' ~ 'Z', Z	/
	Reset	rESEt	\	/
End	End	\	/	

Reset [rESEt]

Reset the RS232 menu to factory defaults.

NO = do not reset.
YES = reset

Baud Rate [bAUd]

Set the baud rate (bits per second).

300 = 300 bps
600 = 600 bps
1200 = 1200 bps
2400 = 2400 bps
4800 = 4800 bps
9600 = 9600 bps
19200 = 19200 bps
38400 = 38400 bps
57600 = 57600 bps

Parity [PARITY]

Set the data bits and parity.

- 7 **EVEN** = 7 data bits, even parity
- 7 **ODD** = 7 data bits, odd parity
- 7 **NONE** = 7 data bits, no parity
- 8 **NONE** = 8 data bits, no parity

Stop bit [STOP]

Set the number of stop bits.

- 1 = 1 stop bits
- 2 = 2 stop bits

Handshake [HANDSHAKE]

Set the flow control method. Hardware handshaking is only available for COM1 menu.

- NONE** = no handshaking
- ONOFF** = XON/XOFF software handshaking

Alternate Print command [ALT.P]

Set the alternate command character for Print.

Settings of A (a) to Z (z) are available. The default setting is **P**.

Alternate Tare command [ALT.T]

Set the alternate command character for Tare.

Settings of A(a) to Z(z) are available. The default setting is **T**.

Alternate Zero command [ALT.Z]

Set the alternate command character for Zero.

Settings of A (a) to Z (z) are available. The default setting is **Z**.

End [End]

Advance to the next menu or return to the top of the current menu.

4.7.2 Print Menu

Enter this menu to set printing parameters. Default settings are **bold**.

Menu	Sub-Menu	Sub-Menu (in segment)	Options	Options (in segment)
Print (P.r. I.N.E. 1)/ 2nd Print (P.r. I.N.E. 2)	Assignment	ASSIGN	Demand , Auto On Stable, Auto On Accept, Interval(seconds), MT-Continuous, OH-Continuous, SICS	DEMAND , ON.StAb , ON.ACCEP , INTEr , MT.CON , OH.CON , SICS
	Stable Weight Only [Demand]	StAbLE	Off , On(LFT Force On)	OFF , ON
	Mode [Auto On Stable]	MOdE	Load , Load and Zero	LOAD , LOAD:Zr
	Time [Interval (seconds)]	tIME	1~50000	/
	Checksum [MT-Continuous]	C.SUM	On, Off	ON , OFF
	Template	TEMP	Simple , Custom 1, Custom 2, Custom 3, Custom 4, Custom 5	SIMP , CUS1 , CUS2 , CUS3 , CUS4 , CUS5
	Reset	RESEt	\	/
	End	End	\	/

Reset [ᠷᠡᠰᠡᠲ]

Reset the Print menu to factory defaults.

᠒᠐ = do not reset.

ᠬᠡᠰ = reset

Assignment [ᠠᠰᠰ ᠢᠭᠨ]**Demand [ᠠᠳᠡᠮᠠᠨᠠᠨ]**

If **Demand** is selected, the sub-menu **Stable Only** will display.

Set the printing criteria.

᠒᠒᠑ = values are printed immediately, regardless of stability.

᠒᠒ = values are printed only when the stability criteria is met.

Auto On Stable [᠒᠒.ᠰᠡᠭᠠᠪ]

If **Auto On Stable** is selected, the sub-menu **Mode** will display.

Set the printing mode.

᠕᠐ᠠᠳ = prints when the displayed load is stable.

᠕᠐ᠠᠳ.ᠵᠢᠷ = prints when the displayed load and zero reading are stable.

Auto On Accept [᠒᠒.ᠠᠴᠡᠭᠦᠫ]

If **Auto On Accept** is selected and the weighing mode is **Check**, values will be printed when the weight is accepted.

᠒᠒.ᠠᠴᠡᠭᠦᠫ = printing occurs each time the display is within the acceptable range and stability criteria is met.

Interval [ᠢᠨᠲᠡᠷ]

If **Interval** is selected, the sub-menu **Time** will display.

ᠢᠨᠲᠡᠷ = printing occurs at the defined time interval.

The time interval can be set through the numeric keypad (i-DT61XWE) .

Settings of 1 to 50000 seconds are available. Default is 1.

Printing occurs at the defined time interval.

MT-Continuous [ᠮᠲ.ᠴᠢᠨᠠᠭᠠᠨᠠ]

If **MT-Continuous** is selected, the print output will be in the **MT-Continuous** format.

ᠮᠲ.ᠴᠢᠨᠠᠭᠠᠨ = printing occurs continuously.

Note: Refer to Appendix A for **MT-Continuous** format.

ᠴ.ᠰᠤᠮᠠᠨᠠ

Off = disabled

On = enabled

OH-Continuous [᠒ᠡᠬᠡ.ᠴᠢᠨᠠᠭᠠᠨ]

If **OH-Continuous** is selected, the print output will be in the **OH-Continuous** format.

Note: Refer to Appendix A for **OH-Continuous** format.

᠒ᠡᠬᠡ.ᠴᠢᠨᠠᠭᠠᠨ = printing occurs continuously.

SICS [ᠰ ᠢᠴᠰ]

᠒᠒᠑ = disable MT-SICS command

᠒᠒ = enable MT-SICS command

Note: Refer to Appendix B for **SICS** commands.

End Print [ᠡᠨᠳ]

Advance to the next menu or return to the top of the current menu.

Template [打印模板]

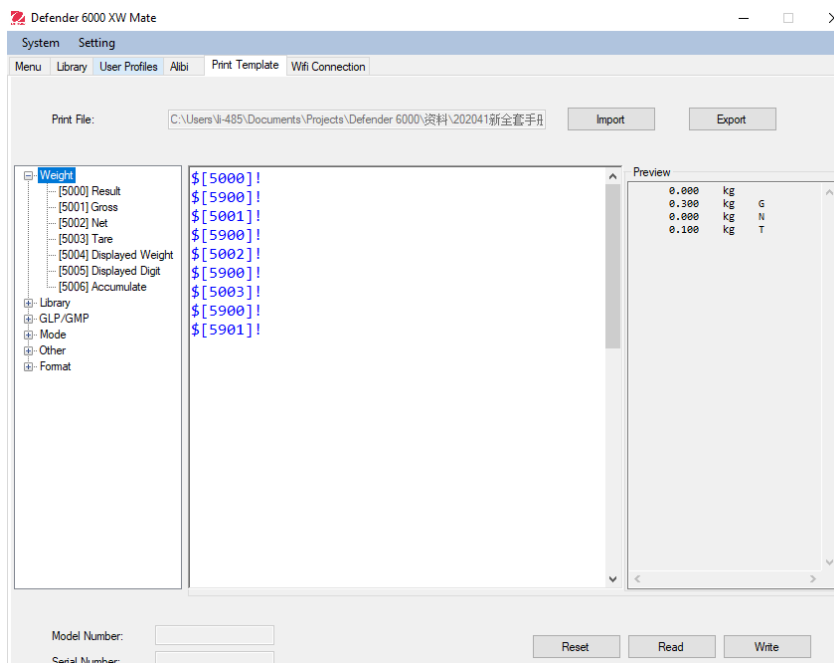
This sub-menu is used to define the format of the data output to a printer or computer.

- 打印模板** = only prints result and unit
- 自定义1** = customized printout format.
- 自定义2** = customized printout format.
- 自定义3** = customized printout format.
- 自定义4** = customized printout format.
- 自定义5** = customized printout format.

Print template example:

- 0.000 kg
- 0.300 kg G
- 0.000 kg N
- 0.100 kg T

To customize print template, you need to go to the ScaleMate software, Select **Print Template** on the top bar, and then double click items in the left column to select which ones you want to put in your print template.



Alternatively, you can also input the items in the middle column directly to customize, using $\$[XXXX]!$ format. XXXX refers to the index number of each print item, please check the following table for each item's index number.

Index Number	Print Items
5000	Result
5001	Gross
5002	Net
5003	Tare
5004	Displayed Wt
5005	Displayed Digit
5006	Accumulate
5100	ID
5101	PN
5102	Lib Name
5200	Date
5201	Time
5202	Project ID

5203	Scale ID
5204	User ID
5205	Transaction ID
5300	Mode
5301	Information
5302	Target
5400	Alibi ID
5401	Input Status
5402	Output Status
5403	SN
5900	NewLine
5901	End

Note: For ScaleMate's other functions, please contact an authorized dealer to obtain the software's instruction.

4.7.3 RS485 Configuration

Please refer to RS485 Configuration in the *Defender® 6000 RS232/RS485/USB Interface Instruction Manual*.

4.7.4 Ethernet Configuration

Please refer to Configuration in the *Defender® 6000 Ethernet Interface Instruction Manual*.

4.7.5 Analog Configuration

Please refer to Analog Configuration in the *Defender® 6000 Analog Kit Instruction Manual*.

4.8 Memory

The Memory menu is different for i-DT61PW and i-DT61XWE. Please check the following sections for details.

4.8.1 Memory menu (for i-DT61PW model)

Status [~~STATUS~~]

To enable or disable the memory function.

OFF = to disable memory function.

ON = to enable memory function. Press the **Print** button to save weighing data.

Export [~~EXPORT~~]

To export weighing data.

NO = to export weighing data function is disabled.

YES = to export weighing data function is enabled.

Delete [~~DELETE~~]

To delete weighing data.

NO = to not delete weighing data

YES = to delete weighing data

4.8.2 USB memory (for i-DT61XWE model)

USB memory is used to store the weight readings for future reference. By connecting a USB flash drive to the scale the weight readings can now be stored directly on the USB flash drive.

Note: this menu is only visible after a USB flash drive is detected.

The data will be stored in the flash drive in the following location:

SYSTEM\DATA

A new file will be created monthly (one txt file stores a whole month's output data...). The name of the txt file will be year plus month.TXT. For example, the name of the txt file for 2020.6 will be **202006.TXT**.

To enable USB memory:

1. After you insert a USB flash drive, long press the **Menu** button until you see **С.А.Л.**
2. Short press the **No** button several times to navigate until you see **П.Э.П.О.** Press the **Yes** button.
3. Short press the **No** button to navigate until you see **USB**. Press the **Yes** button.
4. The display flashes with **ON**. Press the **Yes** button to enable.
5. Sub-menu Link to (**Л.И.П.**) appears. Press the **Yes** button to enable.
6. Then the sub-menu appears with selections of RS232 (**Р.5232**), 2nd Serial (**2.5Е.И**) and Ethernet (**Е.Т.Н.Е.Т.**). Choose the one you want and press the **Yes** button.
7. The display shows **End**. Press the **Yes** button. The display shows the next menu. Press the **Exit** button to exit.

4.8.3 Alibi Memory (for i-DT61XWE model)

Note: This menu is only visible if the Alibi memory hardware option has been installed. See below for installation instructions.

Alibi memory is used to store the weight history for reference. Each Alibi record contains the following:

- ID
- Gross /Net weight, tare weight and weight unit
- Date and time

To check Alibi records, you need to install the ScaleMate software. Please contact an authorized dealer to obtain the software

The maximum number of record is 262112.

When the memory is full and another record is stored, the first record will automatically be deleted. At this time a warning message will appear, asking for the user's confirmation.

4.8.3.1 Enable Alibi

To enable:

1. After you install the hardware, long press the **Menu** button until you see **С.А.Л.**
2. Short press the **No** button several times to navigate until you see **П.Э.П.О.** Press the **Yes** button.
3. Short press the **No** button to navigate until you see **AL I b I**. Press the **Yes** button.
4. The display flashes with **ON**. Press the **Yes** button to enable Alibi.
5. The display shows **End**. Press the **Yes** button. The display shows the next menu **Л. I. b**. Press the **Exit** button to exit.

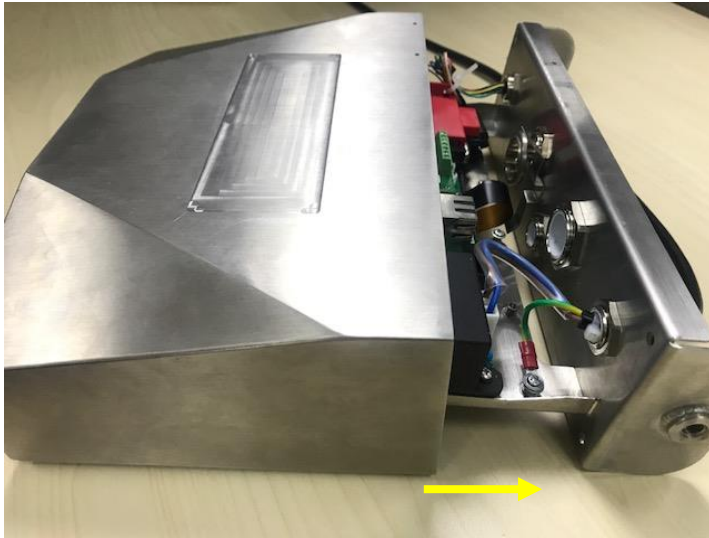
4.8.3.2 Install Alibi

To install:

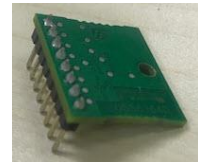
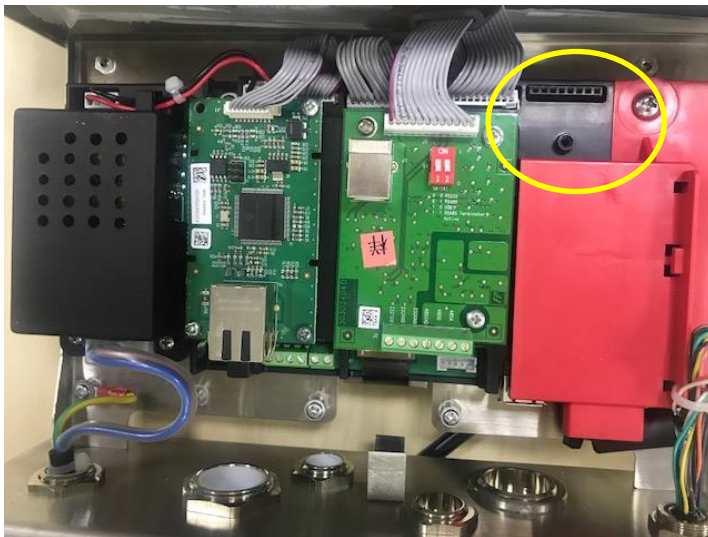
1. Power off and unplug the terminal. Disconnect the terminal with a weighing pan if it is connected to one.
2. Place the terminal down, and unscrew the screws marked in the following graphic.



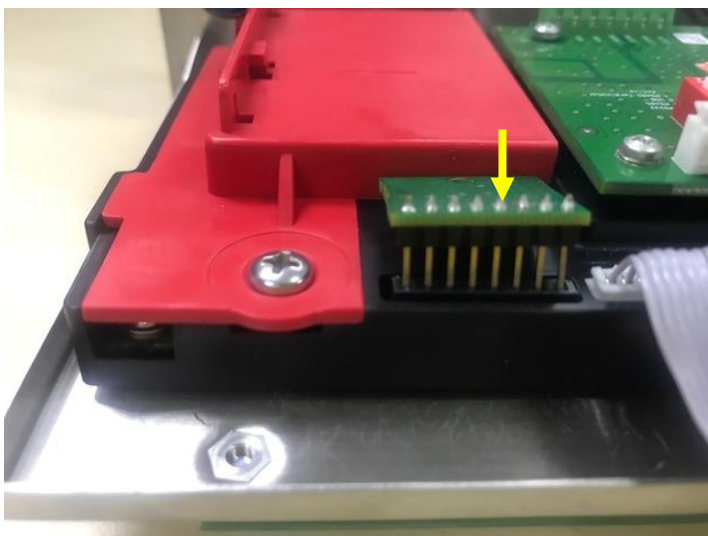
- 3. Pull out the bottom of the terminal.



- 4. Take out the Alibi memory board and prepare to install it in the circled place.



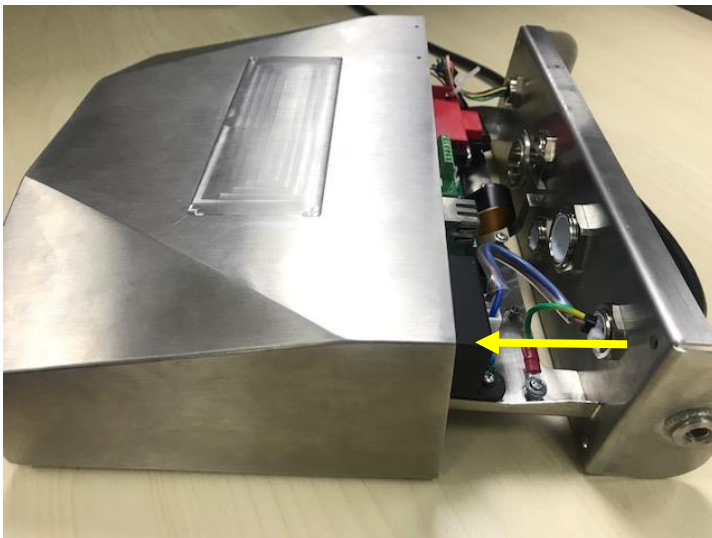
- 5. Insert the Alibi memory board into the slot as shown below. Please make sure the pins are properly inserted.



6. Use a screwdriver to tighten the screw and make sure the Alibi memory board is installed properly.

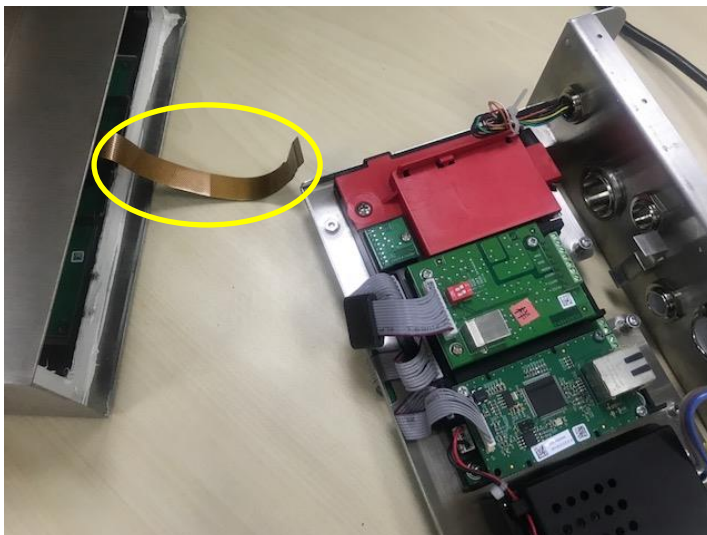


7. Pull the bottom of the terminal in, and make sure all the screws marked in step 2 are tightened.



Note:

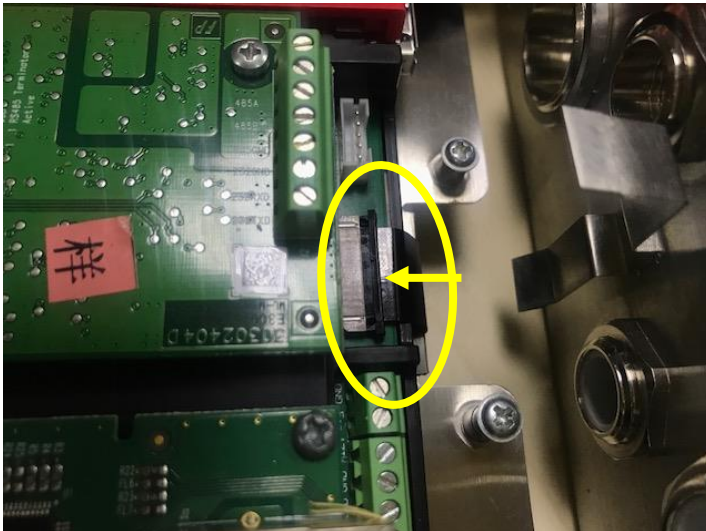
There is possibility that the button cable is detached from the bottom of the terminal when you pull it out. In that case, please follow the following steps to re-attach the button cable:



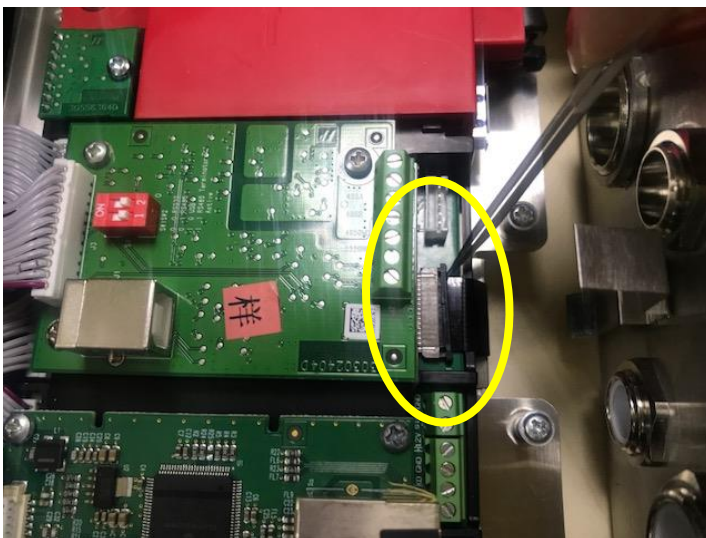
1. When you finish to install the Albi memory board, pass the button cable through the bottom of the meter.



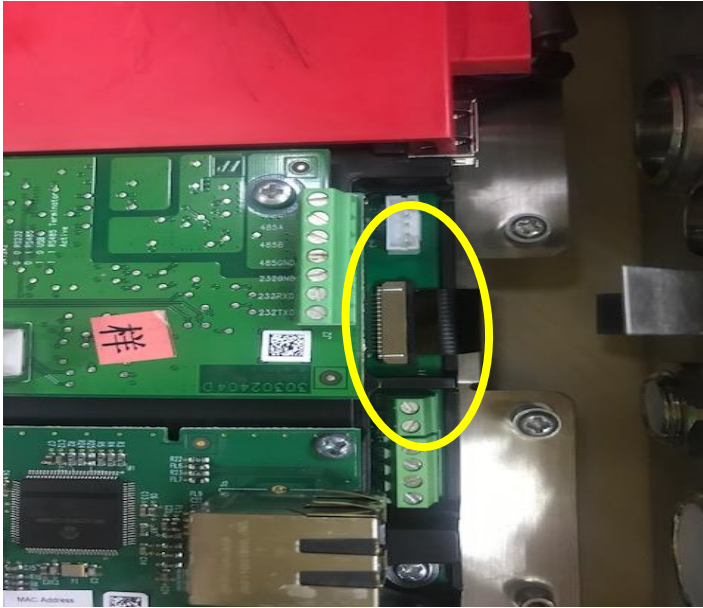
2. And pull it under the FPC socket. Push the button cable further under the FPC socket so that the cable is firmly attached.



3. Use a tweezers or other tools to pull the right and left side of the FPC socket in.



4. Make sure the whole FPC socket are pushed in and the button cable is attached to it firmly.



5. Repeat the previous step 7 to push in the bottom of the terminal and tighten all the screws.

4.9 Discrete I/O (for i-DT61XWE model)

Discrete I/O menu allows the configuration of 3 inputs and 4 outputs. The Discrete Input0 is located at J16 on the mainboard (please refer to the **Mainboard** section for where it is located), while other Discrete Inputs & Outputs are located at the Discrete I/O optional board.

Menu	Sub-Menu	Sub-Menu (in segment)	Options	Options (in segment)
I.O. I.O.	Reset	rESEt	no, yes	NO, YES
	TYPE	tYPE	OPEN, CLOSED	OPEN, CLOSEd
	Discrete Input0	INPUt0	Off, Zero, Tare, Clear Tare, Print, Unit, Accumulate, Start, Reset, Start/Stop, Pause/Resume	OFF, ZErO, tARtE, CLr.tARr, Pr INt, UN tE, ACCUMt, StARt rESEt, StA-SP, PA-rE
	Discrete Input1	INPUt 1	Off, Zero, Tare, Clear Tare, Print, Unit, Accumulate, Start, Reset, Start/Stop, Pause/Resume	OFF, ZErO, tARtE, CLr.tARr, Pr INt, UN tE, ACCUMt, StARt rESEt, StA-SP, PA-rE
	Discrete Input2	INPUt2	Off, Zero, Tare, Clear Tare, Print, Unit, Accumulate, Start, Reset, Start/Stop, Pause/Resume	OFF, ZErO, tARtE, CLr.tARr, Pr INt, UN tE, ACCUMt, StARt rESEt, StA-SP, PA-rE
	Discrete Output1	OUt 1	Off, Overload, Underload, Over, Under, Accept, Under/Over, SP1, SP2, SP3, SP4, Alarm	OFF, OULORd, UN.LORd, oUEr, UNdEr, ACCEPt, UN-OU, F.SP 1, F.SP2, F.SP3, F.SP4, ALARm
	Discrete Output2	OUt2	Off, Overload, Underload, Over, Under, Accept, Under/Over, SP1, SP2, SP3, SP4, Alarm	OFF, OULORd, UN.LORd, oUEr, UNdEr, ACCEPt, UN-OU, F.SP 1, F.SP2, F.SP3, F.SP5, ALARm
	Discrete Output3	OUt3	Off, Overload, Underload, Over, Under, Accept, Under/Over, SP1, SP2, SP3, SP4, Alarm	OFF, OULORd, UN.LORd, oUEr, UNdEr, ACCEPt, UN-OU, F.SP 1, F.SP2, F.SP3, F.SP5, ALARm
	Discrete Output4	OUt4	Off, Overload, Underload, Over, Under, Accept, Under/Over, SP1, SP2, SP3, SP4, Alarm	OFF, OULORd, UN.LORd, oUEr, UNdEr, ACCEPt, UN-OU, F.SP 1, F.SP2, F.SP3, F.SP5, ALARm
	End	End	\	/

4.9.1 I/O Type

Set the status of the relay output.

OPEN = the initial state of the relay output is normally open.

CLOSEd = the initial state of the relay output is normally closed.

4.9.2 Input

The input I/O's function is defined below.

OFF	The input connection is disabled.
ZER0	The external input initiates a Zero function
TARE	The external input initiates a Tare function
CLRTAR	The external input initiates a Clear Tare function
PRINT	The external input initiates a Print function
UNIT	The external input initiates a Unit function
ACCUM	The external input initiates an Accumulate function
START	The external input initiates a Start function
RESET	The external input initiates a Reset function
START-SP	The external input initiates a Start function, the second external input initiates a Stop function.
PAUSE	The external input initiates a pause function, the second external input initiates a resume function.

4.9.3 Output

OFF	The output connection is disabled.
OVERLOAD	If the weight is overloaded, the instrument will perform a relay output.
UNDERLOAD	If the weight is underloaded, the instrument will perform a relay output.
OVER	If the weight is above the over value you set, the instrument will perform a relay output.
UNDER	If the weight is below the under value you set, the instrument will perform a relay output.
ACCEPT	If the weight is within the acceptable range you set, the instrument will perform a relay output.
UN-OV	The weight value is below the under value or above the over value you set, the instrument will perform a relay output.
F.SP1	The weight value is >=SP1, the instrument will perform a relay output.
F.SP2	The weight value is >=SP2, the instrument will perform a relay output.
F.SP3	The weight value is >=SP3, the instrument will perform a relay output.
F.SP4	The weight value is >=SP4, the instrument will perform a relay output.

4.10 Lock Key Configuration

This menu **L.O.L.F** is used to lock access to certain keys. When you select ON for one selection, the associated key press will be ignored.

If you select Lock All Keys, you will lose function of all keys. To unlock, long press the **Menu** key for 30 seconds to enter the settings to unlock it.

Item	Available Settings (bold is the default settings)
Lock All Keys [L.ALL]	OFF, ON
Lock Off Key [L.OFF]	OFF, ON
Lock Zero Key [L.ZER0]	OFF, ON
Lock Print Key [L.PRINT]	OFF, ON
Lock Unit Key [L.UNIT]	OFF, ON
Lock Mode Key [L.MODE]	OFF, ON
Lock Menu Key [L.MENU]	OFF, ON
Lock Tare key [L.TARE]	OFF, ON
Lock Target key [L.TARGET]	OFF, ON
Lock Numeric Key [L.NUMERIC]	OFF, ON
Reset	NO , YES

Note: If the **Menu** key has been locked, long press the **Menu** key for 30 seconds to enter the settings to unlock it.

4.11 Library (for i-DT61XWE model)

The library supports up to 400 records. The application modes share one library.

The Library can be cloned through below methods:

1. Copy all files to a USB device.
2. Use ScaleMate software (version 2.3.0 or higher) to read all files in the Library. Please contact an authorized dealer to obtain the software.

Directory

Library	I-DT61XWLIB
---------	-------------

Library Items

The libraries have several items PN, Name, Tare, Under, Over, Reference weight, APW, F.SP1, F.SP2, F.SP3 and F.SP4

PN (**PN**): The part number of the material (unique).

Name (**NAME**): The name of the material.

Under (**Under**): The under limit of the check.

Over (**Over**): The over limit of the check.

Tare (**TARE**): The tare weight of the material.

Reference weight (**REF.WGT**): the reference weight for Percent weighing.

APW(**APW**): the average piece weight of for Counting.

F.SP1 (**F.SP 1**): the first target weight for Filling.

F.SP2 (**F.SP2**): the second target weight for Filling.

F.SP3 (**F.SP3**): the third target weight for Filling.

F.SP4 (**F.SP4**): the forth target weight for Filling.

Each weighing mode supports different items. See the table below:

Item \ Mode	PN	Name	Under	Over	Tare	Reference weight	APW	F.SP1	F.SP2	F.SP3	F.SP4
Weighing	X	X	X	X	X						
Percent	X	X	X	X	X	X					
Dynamic	X	X	X	X	X						
Fill	X	X			X			X	X	X	X
Counting	X	X	X	X	X		X				

Create a new library item

To create a new library item:

1. Long press the **Menu** button until you see **C.A.L.**. Short press the **No** button several times to navigate until you see **L. i.b.**. Press the **Yes** button.
2. Press the **Yes** button when you see **NEW**.
3. The display shows **TYPE**. Press the **Yes** button to select. Short press the **No** button to select from Weighing (**WEIGH**), Percent (**PERCENT**), Dynamic (**DYNAMIC**) and Filling (**FILL**). When you see the type you want, press the **Yes** button to select.
4. The display shows **PN**. Press the **Yes** button to input the PN number. Input by using the numeric keyboard. Press the **Yes** button when you finish.
5. The display shows **NAME**. Press the **Yes** button to input the name. Input by using the numeric keyboard. Press the **Yes** button when you finish.
6. Then the display shows other values as listed in the previous table for each mode. Press the **Yes** button to input each value. Input by using the numeric keyboard. Press the **Yes** button when you finish.
7. The display shows **END** when you finish all the settings. Press the **Yes** button to confirm.

8. The display shows **SAVE**. Press the **Yes** button to save.
9. The display shows the next menu **Edit**. Press the **Exit** button to exit.

Note: If you do not need to input values for some items from step 5 to 7, you can press the **No** button to skip to the next item.

Edit a library item

To edit a library item:

1. Long press the **Menu** button until you see **CAL**. Short press the **No** button several times to navigate until you see **Lib**. Press the **Yes** button.
2. Press the **No** button to select until you see **Edit**. Press the **Yes** button.
3. The display shows **SEARCH**. Press the **Yes** button.
4. Input the PN number for the library item you need to edit. Use the numeric keyboard to input and press the **Yes** button when you finish.

Search also supports inputting abbreviated PN. If you need to search the PN number, input at least one number of the PN of that item through the numeric keyboard and then press the **Yes** button. The first PN includes the number you input will be displayed. Short press the **No** button to navigate between different product numbers. When you see the one you want, press the **Yes** button to confirm.

If you input more than one number of the PN, make sure they are consequent.

For example, if you want to search a library item with PN 76543, to input only one number, you can input 7, 6, 5, 4 or 3. To input more than one number, you can input 76, 765, 54, 543 etc. Please avoid inputting inconsequent numbers, such as 74, 753 etc. The result will not appear.

5. The display shows the PN number of the library item to edit. Press the **Yes** button to confirm.
6. The display shows **TYPE**.
 - Press the **Yes** button if you need to edit it. Then short press the **No** button to select from Weighing (**WEIGH**), Percent (**PERCENT**), Dynamic (**DYNAMIC**) and Filling (**FILL**). When you see the type you want, press the **Yes** button.
 - Press the **No** button if you do not need to edit it and move on to the next item.
7. Repeat step 6 to edit all the items you need to.
8. When you finish, continue to press the **No** button until you see **End**. Press the **Yes** button to confirm.
9. The display shows **SAVE**. Press the **Yes** button to save.
10. The display shows **End**. Press the **Exit** button to exit.

Recall a library item

To recall and use a library item when in Weighing, Counting, Percent, Dynamic and Fill mode:

Through input:


- Input the PN for the library item through the numeric keyboard in those weighing modes. Then long press the **Lib** button until you see the product number on the display. Press the **Yes** button to confirm.
- Search also supports inputting abbreviated PN. To do this, you can input at least one number of the PN through the numeric keyboard and then long press the **Lib** button. The first product number includes the number you input will be displayed. Short press the **No** button to navigate between different product numbers. When you see the one you want, press the **Yes** button to confirm.

If you input more than one number of the PN, make sure they are consequent.

For example, if you want to search a library item with PN 76543, you can input 76, 765, 54, 543 etc. Please avoid inputting inconsequent numbers, such as 74, 753 etc. The result will not appear.

Through RFID or Barcoder

When the product number input through an RFID or a Barcoder matches a product number in the library, the terminal will recall the library record.

When a library record is in use, an arrow on the screen will point to the library icon .

Disuse a library item

To disuse a library item when in Weighing, Counting, Percent, Dynamic or Fill mode:

1. When weighing in the modes above, long press the **Lib** button. The display shows the product number of the library item in use.

- Press the **CLR** button when you see the product number displayed. The display shows **CLR id**. Press the **Yes** button to clear. Press the **No** button to return to the active application mode.

4.12 User (for i-DT61XWE model)

Enter this menu **U.S.E.r** to add or edit users. The maximum user number is 100. The record contains ID and name. The length of ID and name is about 32 characters.

Add a user

To add a new user:

- Long press the **Menu** button until you see **C.R.L**. Short press the **No** button several times until you see **U.S.E.r**. Press the **Yes** button.
- The display shows **NEW**. Press the **Yes** button.
- The display shows **id**. Press the **Yes** button, and then input the new id through the numeric keyboard. Press the **Yes** button when you finish.
- The display shows **NAME**. Press the **Yes** button, and then input the new name through the numeric keyboard. Press the **Yes** button when you finish.
- The display shows **END**. Press the **Yes** button.
- The display shows **SAVE**. Press the **Yes** button to save, and the display moves to the next menu **Ed it**.

Edit a user

To edit a user:

- Long press the **Menu** button until you see **C.R.L**. Short press the **No** button several times until you see **U.S.E.r**. Press the **Yes** button.
- The display shows **NEW**. Short press the **No** button to select **Ed it**. Press the **Yes** button.
- The display shows **SEARCH**. Press the **Yes** button.
- Input the user id through the numeric keyboard. Press the **Yes** button. The display shows the id of the user. Press the **Yes** button.

Alternatively, search also supports inputting abbreviated ID. You can input at least one number of the id through the numeric keyboard and then press the **Yes** button. The first user id includes the number you input will be displayed. Short press the **No** button to navigate between different ids. When you see the one you want, press the **Yes** button to confirm.

If you input more than one number of the id, make sure they are consequent.

For example, if you want to search an id 76543, to input only one number, you can input 7, 6, 5, 4 or 3. To input more than one number, you can input 76, 765, 54, 543 etc. Please avoid inputting inconsequent numbers, such as 74, 753 etc. The result will not appear.

- The display shows **id**. Press the **Yes** button, and then input the new id through the numeric keyboard. Press the **Yes** button when you finish.
- The display shows **NAME**. Press the **Yes** button, and then input the new name through the numeric keyboard. Press the **Yes** button when you finish.
- The display shows **END**. Press the **Yes** button.
- The display shows **SAVE**. Press the **Yes** button to save.
- The display shows **END**. Press the **Yes** button and the display shows **END**. Press the **Yes** button to exit.

Recall a user

To recall a user when in Weighing, Counting, Percent, Dynamic or Fill mode:


Through input:

- Input the user ID through the numeric keyboard in those weighing modes. Then long press the **User** button until you see the ID on the display. Press the **Yes** button to confirm.
- Search also supports inputting abbreviated ID. To do this, you can input at least one number of the ID through the numeric keyboard and then long press the **User** button. The first product number includes the number you input will be displayed. Short press the **No** button to navigate between different IDs. When you see the one you want, press the **Yes** button to confirm.

If you input more than one number of the ID, make sure they are consequent.
For example, if you want to search a user ID 76543, you can input 76, 765, 54, 543 etc. Please avoid inputting inconsequent numbers, such as 74, 753 etc. The result will not appear.

Through RFID or Barcoder

When the user id input through an RFID or a Barcoder matches a user id in the library, the terminal will recall the user.

When a user is in use, an arrow on the screen will point to the user icon . Later when you select user in the printing template, the user's ID will be printed.

Disuse a user

To disuse a user when in Weighing, Percent, Dynamic or Fill mode:

1. When weighing in the modes above, long press the **User** button. The display shows the currently used user ID.
2. Press the **CLR** button when you see the ID displayed. The display shows **CLR ID**. Press the **Yes** button to clear. Press the **No** button to return to the active application mode.

4.13 USB (for i-DT61XWE model)

This menu will display when plug in a USB Flash Drive, RFID, Barcode Scanner, Keyboard or a Wi-Fi/Bluetooth Dongle (optional).

Menu	Sub-Menu	Sub-Menu(in segment)	Options	Options (in segment)
USB U.5.b	Reset	rESEt	No, Yes	NO, YES
	TYPE	tYPE	Flash Drive /RFID /Barcode Scanner /Keyboard	d ISt, rF id, bArCod, tEybd
	export menu[Flash Drive]	E.MENU	\	
	import menu[Flash Drive]	I.MENU	\	
	export lib[Flash Drive]	E.L Ib	\	
	import lib[Flash Drive]	I.L Ib	\	
	export user[Flash Drive]	E.USER	\	
	import user[Flash Drive]	I.USER	\	
	Length[Barcode]	LENGtH	XXXXXXXX	
	Start digit[Barcode]	S.d IG It	XX	
	End	End	\	/

4.13.1 USB Flash Drive

The function of the USB Flash Drive menu is defined below:

E.MENU	Export Menu Settings to a USB flash drive
I.MENU	Import Menu Settings from a USB flash drive
E.L Ib	Export Libraries to a USB flash drive
I.L Ib	Import Libraries from a USB flash drive
E.USER	Export User Profiles to a USB flash drive
I.USER	Import User Profiles from a USB flash drive

Note: The Menu Settings /User /Library can be exported to a flash drive. This flash drive can be inserted into another terminal, and the Menu Settings can be imported to the terminal. After the import is finished, the terminal will restart. After that the menu configurations of the two terminals are the same.

4.13.2 RFID

Use an RFID reader to search PN (product number) / user ID to recall and use the related library item or user during weighing.

Use an RFID reader to input numbers when in the input mode.

Since there are many brands of RFID device in the market, OHAUS tested and confirmed that below one from RFIDeas (www.RFIDEas.com) is compatible:

RDR-6081AKU-C06.

4.13.3 Barcode

Use a barcode scanner to search PN (product number) / user ID to recall and use the related library item or user during weighing.

Use a barcode scanner to input numbers when in the input mode.

LENGtH	Specify the length of the string read from the barcode scanner.
S.d IG It	Specify the start digit of the string read from the barcode scanner. The barcode scanner will only response when the start digit matches your setting.

Since there are many brands of barcode scanners in the market, OHAUS tested and confirmed that below Barcode scanners from Datalogic® is compatible:
QuickScan series

4.13.4 Keyboard

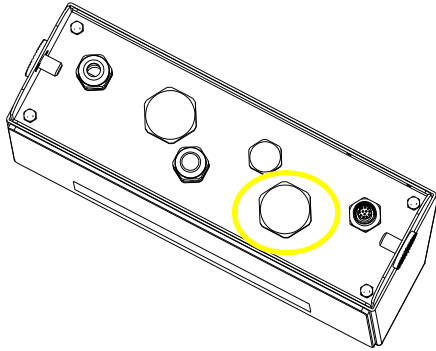
Use a keyboard to input numbers when in the input mode.

4.13.5 Wi-Fi/Bluetooth Dongle (Optional)

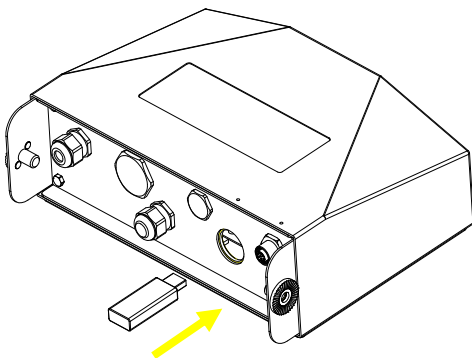
A Wi-Fi/Bluetooth USB Dongle can help the terminal to receive data transmitted through Wi-Fi or Bluetooth. It is an option and you can contact an authorized OHAUS dealer to get it.

4.13.5.1 Install a Wi-Fi/Bluetooth USB Dongle

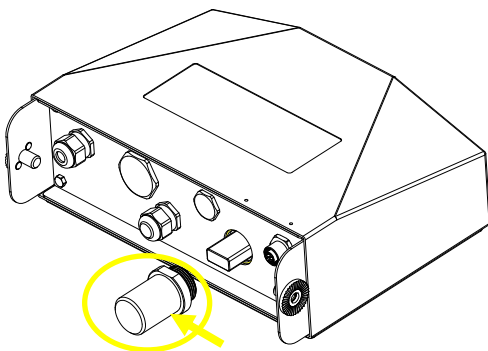
- 1 Remove the M25 cover located at the bottom of the indicator.



- 2 Plug the Wi-Fi/Bluetooth USB Dongle through M25 hole.



- 3 Close the USB Dongle Cover.



Wi-Fi/Bluetooth USB Dongle Cover

Note: This cover is also an option, please contact an authorized OHAUS dealer to get it.

4.13.5.2 Configuration

After inserting the dongle, the indicator will recognize it and add relevant items to the menu. The indicator will display the IP address, and you need to set other parameters through the OHAUS ScaleMate software. To get the software, please contact an OHAUS authorized dealer.

Note: for how to set parameters in the ScaleMate software, please check the software's instruction video via an authorized OHAUS dealer.

Wireless setup

Menu	Sub-Menu	Sub-Menu (in segment)	Options	Options (in segment)
Wireless ሠጋ. ፋ. - ህ. ቴ	Reset	ፕፕሪት	No, Yes	አዎ, አይደለም
	Type	ይይፕ	wifi, bluetooth	ሠጋ ፋ ፋ, ህሊዊት
	IP Address[Wifi]	IP ለሐድረ	XXXXXX-XXXX (169.254.1.1-6060)	/
	Device name[bt]	ድ. ስም	XXXXXX	/
	Pincode[bt]	ፑ ስን	XXXXXX	/
	Alt Print CMD	ለሊት. ፑ	A~Z, P	/
	Alt Tare CMD	ለሊት. ቴ	A~Z, T	/
	Alt Zero CMD	ለሊት. ሯ	A~Z, Z	/
	End	ፎብድ	\	/

MAC Address

The Medium Access Control (MAC) Address of the Wi-Fi/Bluetooth is not editable.

Port

The default value of IP port is 6060.

DHCP

If DHCP is set to be **ON**, the IP share or router will automatically assign IP Address. If the DHCP is set to be **OFF**, users need to setup the IP Address, Subnet Mask, Gateway, Primary DNS and Secondary DNS. If there is no DHCP server in the network, the DHCP server of the Ethernet option board will become it.

Note: After the setup of IP Address, Subnet Mask, Gateway, Primary DNS and Secondary DNS, please reboot the indicator to enable the setting.

IP Address

IP is 192.168.1.2 by default.

Subnet Mask

Subnet mask is 255.255.255.0 by default.

Gateway

Gateway is 192.168.1.1 by default.

Primary DNS & Secondary DNS

DNS value is not needed when the system connects to a LAN, and it is assigned by the ISP when connected to the internet.

Alternative Command

The alternative command of Print, Tare, Zero can be set to 'a' ~ 'z' or 'A' ~ 'Z'.

Note: The submenu will display after the installation of the dongle.

Print Setup

For Wi-Fi and Bluetooth printing setup, please refer to the **Print Menu** section in the **Communication** part for details about printing settings.

Bluetooth setup

To pair your device with the terminal through Bluetooth, take Windows 10 as an example:

1. Click **Settings** in the **Start** menu.
2. Select **Devices (Bluetooth, printers, mouse)** in the pop out **Settings** window or type Bluetooth in the search bar of the window to launch **Bluetooth & other devices** program.
3. Click **Add Bluetooth or other device**.
4. Select **Bluetooth** in the pop up **Add a device** window.
5. Select the Bluetooth name of your terminal to pair, and then check the pin code appeared with it.
6. Input the pin code through the numeric keyboard on your terminal.

7. If **Your device is ready to go** appears on your computer, it implies the connection is successful.
8. If you need to check which COM (serial) ports your computer's Bluetooth is using, please follow the following steps:
 - a) On the **Bluetooth & other devices** page, instead of clicking **Add Bluetooth or other device**, turn down the page and find **More Bluetooth options** under **Related settings**.
 - b) Click **More Bluetooth options**.
 - c) Select **COM Ports** on the top bar, and you will see the using COM (serial) ports displayed.

Note: if you use other device to pair with the terminal, please follow the specific device's Bluetooth pairing method.

5. LEGAL FOR TRADE

When the indicator is used in trade or a legally controlled application, it must be set up, verified and sealed in accordance with local weights and measures regulations. It is the responsibility of the purchaser to ensure that all pertinent legal requirements are met.

5.1 Settings

Before verification and sealing, perform the following steps:

1. Verify that the menu settings meet the local weights and measures regulations.
2. Perform a calibration as explained in **Calibration Menu** section.
3. Turn the indicator off.

To turn on the security switch:

1. Disconnect power from the indicator and open the housing as explained in **Opening the Housing** section in the **Installation** chapter. (Remove the batteries for i-DT61PW model).
2. Set the position of the security switch SW1 to ON. (Check **Mainboard** section for where SW1 is located on the mainboard).
3. Close the housing.
4. Reconnect power and turn the indicator on. (Re-install the batteries for i-DT61PW model).

5.2 Verification

The local weights and measures official or authorized service agent must perform the verification procedure.

5.3 Sealing

After the scale has been verified, it must be sealed to prevent undetected access to the legally controlled settings. Refer to the illustrations below for sealing methods.

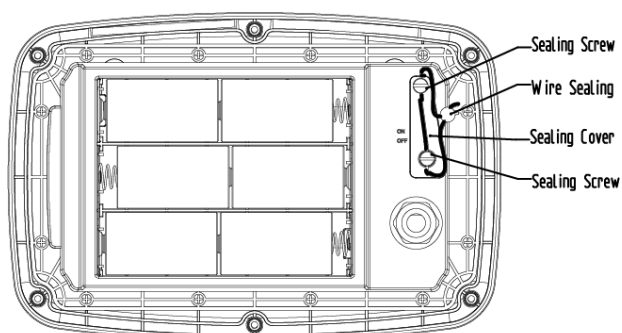


Figure 5-1. i-DT61PW Wire Sealing

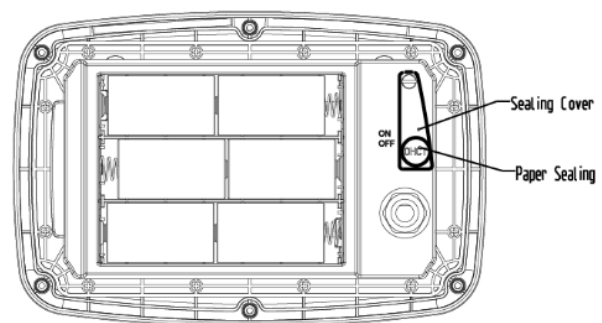


Figure 5-2. i-DT61PW paper Sealing

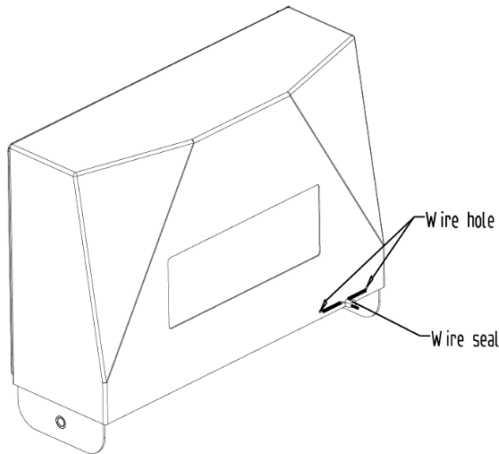


Figure 5-3. i-DT61PW Wire Sealing

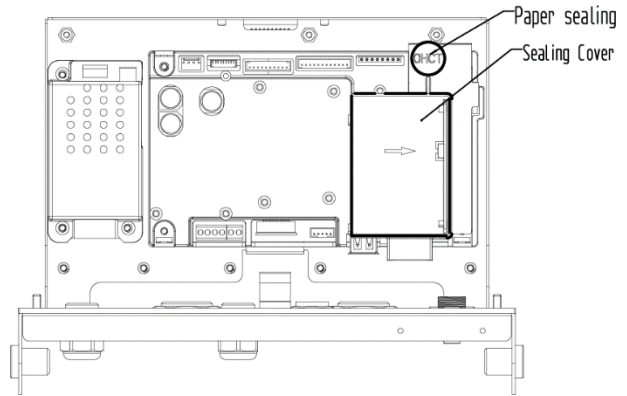


Figure 5-4. i-DT61XWE Paper Sealing

When the i-DT61PW or i-DT61XWE indicator is connected to an OHAUS Defender 6000 series base boasting EasyConnect™ function: It has a memory module on the load cell cable, and the connection cable is sealed by software pairing, so no hardware sealing of the cable is needed. Once the indicator or the base is replaced by a new one, an error message (**Error 8.9**) will pop up in the indicator's displayed window.

When the i-DT61PW or i-DT61XWE indicator is connected to an outside base that does not include a memory module, the connection between the indicator and load receptor shall be sealed by using a connector cover (P/N: 30538022), sealing sticker or wire seal.

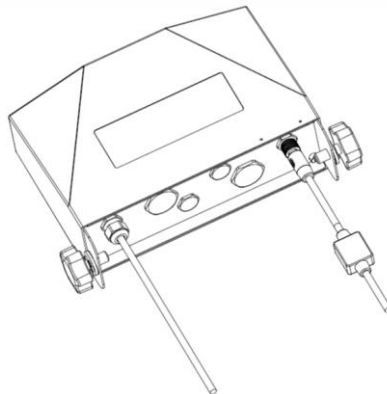


Figure 5-5. Connecting cable with connector and memory module

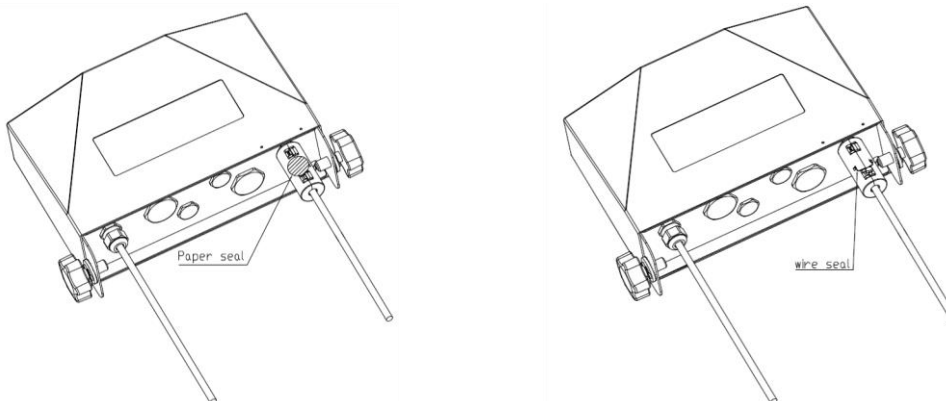


Figure 5-6. Connecting cable with connector and without memory module

6. MAINTENANCE

CAUTION: DISCONNECT THE UNIT FROM THE POWER SUPPLY BEFORE CLEANING.

6.1 Cleaning



WARNING: Electric Shock Hazard. Disconnect the equipment from the power supply before cleaning.

Make sure that no liquid enters the interior of the instrument.



Attention: Do not use solvents, harsh chemicals, ammonia or abrasive cleaning agents.

The housing may be cleaned with a cloth dampened with a mild detergent if necessary.

6.1.1 Cleaning for i-DT61PW Model

- The housing may be cleaned with a cloth dampened with a mild detergent if necessary.
- Do not use solvents, chemicals, alcohol, ammonia or abrasives to clean the housing or the control panel.

6.1.2 Cleaning for i-DT61XWE Model

- Use approved cleaning solutions for the stainless-steel Indicator housing and rinse with water. Dry thoroughly.
- Do not use solvents, chemicals, alcohol, ammonia or abrasives to clean the control panel.

6.2 Troubleshooting

TABLE 6-1 Troubleshooting

SYMPTOM	PROBABLE CAUSE (s)	REMEDY
EEP Error	EEPROM Checksum Error	Corrupted EEPROM data
Unit will not turn on.	<ol style="list-style-type: none"> Power cord not plugged in or properly connected. Power outlet not supplying electricity. Battery discharged (i-DT61PW). Other failure. 	<ol style="list-style-type: none"> Check power cord connections. Make sure power cord is plugged in properly into the power outlet. Check power source. Replace batteries (i-DT61PW). Service required.
Cannot zero the Scale, or will not zero when turned on.	<ol style="list-style-type: none"> Load on Scale exceeds allowable limits. Load on Scale is not stable. Load Cell damage. 	<ol style="list-style-type: none"> Remove load on Scale. Wait for load to become stable. Service required.
Unable to calibrate.	<ol style="list-style-type: none"> Lock Calibration Menu set to On. LFT menu set to On. Incorrect value for calibration mass. 	<ol style="list-style-type: none"> Set Lock Calibration Menu to Off. Refer to Section 3.12 Menu Lock. Set LFT menu to Off. Use correct calibration mass.
Cannot display weight in desired weighing unit.	Unit not set to On.	Enable unit in the Units Menu. Refer to Unit Menu section for help.
Cannot change menu settings.	Menu has been locked.	<ol style="list-style-type: none"> Set selected menu to Off in the Lock Menu. Lockout Switch on the circuit board may need to be set to the Off position.
Error 8.1	Weight reading exceeds Power On Zero limit.	<ol style="list-style-type: none"> Remove load from scale. Recalibrate scale.
Error 8.2	Weight reading below Power On Zero limit.	<ol style="list-style-type: none"> Add load to scale. Recalibrate scale.
Error 8.3	Weight reading exceeds Overload limit.	Reduce load on scale.
Error 8.4	Weight reading below Underload limit.	<ol style="list-style-type: none"> Add load to scale. Recalibrate scale.
Error 8.6	Weight exceeds six digits. Display overflow.	Reduce load on scale.
Error 8.8	Factory calibration data in memory module at the end of the load cell cable is not valid under LFT OFF status.	Calibrate scale.
Error 8.9	Fail to read serial number from memory module or serial number does not match the indicator's under LFT ON status.	Break the seal or replace the original base/indicator.
Error 9.5	Calibration data not present.	Calibrate scale.
Battery symbol flashing	Batteries are discharged.	Replace batteries (i-DT61PW).
ERR E	Calibration value outside allowable limits	Use correct calibration weight.
NO SWJ	Attempting to exit the menu with the LFT setting ON and the security switch OFF.	Refer to LEGAL FOR TRADE chapter for details about how to set the security switch to the ON position.
REF Wgt Err	Reference Weight too small. The weight on the platform is too small to define a valid reference weight.	Use a heavier weight for sample.

6.3 Service Information

If the troubleshooting section does not resolve your problem, contact an authorized OHAUS Service Agent. For Service assistance in the United States, call toll-free 1-800-526-0659 between 8:00 AM and 5:00 PM Eastern Standard Time. An OHAUS Product Service Specialist will be available to assist you. Outside the USA, please visit our website www.ohaus.com to locate the OHAUS office nearest you.

7. TECHNICAL DATA

7.1 Specifications

Materials

I-DT61XWE Housing: stainless-steel 316

I-DT61PW Housing: polycarbonate (PC)

Display window: polycarbonate (PC)

Keypad: polycarbonate (PC)

Equipment Ratings:

Indoor use only

Altitude: 2,000m

Operating temperature: -10°C to 40°C

Humidity: maximum relative humidity 80% for temperatures up to 31 °C decreasing linearly to 50% relative humidity at 40°C.

Electrical supply: 100 - 240V~, 0.5A, 50/60Hz (i-DT61XWE); 6 x D alkaline battery (i-DT61PW).

Voltage fluctuations: Mains supply voltage fluctuations up to ±10% of the nominal voltage.

Overvoltage category (Installation category): II

Pollution degree: 2

Model	i-DT61PW
Construction	Polycarbonate plastic housing, 304 stainless steel bracket
Protection	IP68/IP69k
Maximum displayed resolution	1:75,000
Maximum approved resolution	1:10,000 (EC, OIML & NTEP) Class III
Weighing Units	Kilogram, Gram, Pound, Ounce, Pound: Ounce, Tonne (Metric Tonne)
Modes	Basic weighing, Percent weighing, Piece Counting with Optimized APW, Check weighing/counting, Dynamic weighing
Display	6-digit, 7-segment LCD display with white backlight, 45 mm high digits
Check Indicator	3 color (red, green, yellow) bar LED
Keyboard	6 function mechanical keys
Auto-zero Tracking	Off, 0.5 d, 1 d or 3 d
Load cell excitation voltage	3.3VDC
Load cell drive	Up to 4 x 350 ohm load cells
Load cell input sensitivity	Up to 3 mV/V
Power	6 x D alkaline battery
Battery Life	1,500 hours continuous use with backlight off
Interface	Infrared USB communication port
Shipping Dimensions	300 x 265 x 135 mm 11.8 x 10.4 x 5.3 in
Product Dimensions (with bracket)	10.4 x 8.9 x 3.3 in / 265 x 225 x 85 mm
Approx. Net Weight	2.7 kg / 6.0 lb
Approx. Shipping Weight	3.8 kg / 8.4 lb
Operating Temperature Range	14°F to 104°F / -10°C to 40°C

Model	i-DT61XWE
Construction	316 Stainless steel housing, 316 stainless steel bracket
Protection	IP68/IP69k
Maximum displayed resolution	1:75,000
Maximum approved resolution	1:10,000 (EC, OIML & NTEP) Class III
Weighing Units	Kilogram, Gram, Pound, Ounce, Pound: Ounce
Modes	Basic weighing, Percent weighing, Check weighing/percent, Dynamic weighing, Filling weighing, Counting
Display	6-digit, 7-segment white LED, 20 mm high digits
Check Indicator	3 color (red, green, orange) 8x16 dot matrix LED
Keyboard	6 function keys + 12 alpha numeric capacitive keypad
Auto-zero Tracking	Off, 0.5 d, 1 d or 3 d
Load cell excitation voltage	5VDC
Load cell drive	Up to 4 x 350 ohm load cells
Load cell input sensitivity	Up to 3 mV/V
Stabilization time	Within 2 seconds
Power	100-240 VAC / 50/60 Hz Universal Power Supply, hardwired
Interface	Standard: RS232, USB Host Optional: Ethernet, Wi-Fi/Bluetooth, 2nd RS232/RS485/USB, Analog output, 2 In/4 Out Discrete I/O
Shipping Dimensions	300 x 265 x 135 mm 11.8 x 10.4 x 5.3 in
Product Dimensions (with bracket)	11.4 x 9.3 x 3.1 in / 290 x 235 x 80 mm
Approx. Net Weight	3.2 kg / 7.0 lb
Approx. Shipping Weight	3.5 kg / 7.7 lb
Operating Temperature Range	14°F to 104°F / -10°C to 40°C





7.2 Table of Geo Values

TABLE 7-1 GEO CODES

Latitude		Elevation in meters											
		0	325	650	975	1300	1625	1950	2275	2600	2925	3250	3575
		325	650	975	1300	1625	1950	2275	2600	2925	3250	3575	
		Elevation in feet											
		0	1060	2130	3200	4260	5330	6400	7460	8530	9600	10660	
		1060	2130	3200	4260	5330	6400	7460	8530	9600	10660	11730	
		GEO value											
0°00'	5°46'	5	4	4	3	3	2	2	1	1	0	0	
5°46'	9°52'	5	5	4	4	3	3	2	2	1	1	0	
9°52'	12°44'	6	5	5	4	4	3	3	2	2	1	1	
12°44'	15°06'	6	6	5	5	4	4	3	3	2	2	1	
15°06'	17°10'	7	6	6	5	5	4	4	3	3	2	2	
17°10'	19°02'	7	7	6	6	5	5	4	4	3	3	2	
19°02'	20°45'	8	7	7	6	6	5	5	4	4	3	3	
20°45'	22°22'	8	8	7	7	6	6	5	5	4	4	3	
22°22'	23°54'	9	8	8	7	7	6	6	5	5	4	4	
23°54'	25°21'	9	9	8	8	7	7	6	6	5	5	4	
25°21'	26°45'	10	9	9	8	8	7	7	6	6	5	5	
26°45'	28°06'	10	10	9	9	8	8	7	7	6	6	5	
28°06'	29°25'	11	10	10	9	9	8	8	7	7	6	6	
29°25'	30°41'	11	11	10	10	9	9	8	8	7	7	6	
30°41'	31°56'	12	11	11	10	10	9	9	8	8	7	7	
31°56'	33°09'	12	12	11	11	10	10	9	9	8	8	7	
33°09'	34°21'	13	12	12	11	11	10	10	9	9	8	8	
34°21'	35°31'	13	13	12	12	11	11	10	10	9	9	8	
35°31'	36°41'	14	13	13	12	12	11	11	10	10	9	9	
36°41'	37°50'	14	14	13	13	12	12	11	11	10	10	9	
37°50'	38°58'	15	14	14	13	13	12	12	11	11	10	10	
38°58'	40°05'	15	15	14	14	13	13	12	12	11	11	10	
40°05'	41°12'	16	15	15	14	14	13	13	12	12	11	11	
41°12'	42°19'	16	16	15	15	14	14	13	13	12	12	11	
42°19'	43°26'	17	16	16	15	15	14	14	13	13	12	12	
43°26'	44°32'	17	17	16	16	15	15	14	14	13	13	12	
44°32'	45°38'	18	17	17	16	16	15	15	14	14	13	13	
45°38'	46°45'	18	18	17	17	16	16	15	15	14	14	13	
46°45'	47°51'	19	18	18	17	17	16	16	15	15	14	14	
47°51'	48°58'	19	19	18	18	17	17	16	16	15	15	14	
48°58'	50°06'	20	19	19	18	18	17	17	16	16	15	15	
50°06'	51°13'	20	20	19	19	18	18	17	17	16	16	15	
51°13'	52°22'	21	20	20	19	19	18	18	17	17	16	16	
52°22'	53°31'	21	21	20	20	19	19	18	18	17	17	16	
53°31'	54°41'	22	21	21	20	20	19	19	18	18	17	17	
54°41'	55°52'	22	22	21	21	20	20	19	19	18	18	17	
55°52'	57°04'	23	22	22	21	21	20	20	19	19	18	18	
57°04'	58°17'	23	23	22	22	21	21	20	20	19	19	18	
58°17'	59°32'	24	23	23	22	22	21	21	20	20	19	19	
59°32'	60°49'	24	24	23	23	22	22	21	21	20	20	19	
60°49'	62°90'	25	24	24	23	23	22	22	21	21	20	20	
62°90'	63°30'	25	25	24	24	23	23	22	22	21	21	20	
63°30'	64°55'	26	25	25	24	24	23	23	22	22	21	21	
64°55'	66°24'	26	26	25	25	24	24	23	23	22	22	21	
66°24'	67°57'	27	26	26	25	25	24	24	23	23	22	22	
67°57'	69°35'	27	27	26	26	25	25	24	24	23	23	22	
69°35'	71°21'	28	27	27	26	26	25	25	24	24	23	23	
71°21'	73°16'	28	28	27	27	26	26	25	25	24	24	23	
73°16'	75°24'	29	28	28	27	27	26	26	25	25	24	24	
75°24'	77°52'	29	29	28	28	27	27	26	26	25	25	24	
77°52'	80°56'	30	29	29	28	28	27	27	26	26	25	25	
80°56'	85°45'	30	30	29	29	28	28	27	27	26	26	25	
85°45'	90°00'	31	30	30	29	29	28	28	27	27	26	26	

8. COMPLIANCE

Compliance to the following standards is indicated by the corresponding mark on the product.

Mark	Standard
	This product complies with the applicable harmonized standards of EU Directives 2011/65/EU (RoHS), 2014/30/EU (EMC), 2014/35/EU (LVD) and 2014/31/EU (NAWI). The EU Declaration of Conformity is available online at www.ohaus.com/ce .
	This product complies with the EU Directive 2012/19/EU (WEEE) and 2006/66/EC (Batteries). Please dispose of this product in accordance with local regulations at the collecting point specified for electrical and electronic equipment. For disposal instructions in Europe, refer to www.ohaus.com/weee .
	EN 61326-1
	UL Std. No. 61010-1 CAN/CSA-C22.2 No. 61010-1

ISED Canada Compliance Statement:

This Class A digital apparatus complies with Canadian ICES-003.

ISO 9001 Registration

The management system governing the production of this product is ISO 9001 certified.

FCC Supplier Declaration of Conformity

Unintentional Radiator per 47CFR Part B
Trade Name: OHAUS CORPORATION
Model or Family identification: Defender6000

Issuing Party that Assembled the Product:

Ohaus Instruments (Changzhou) Co., Ltd.
2F, 22 Block, 538 West Hehai Road, Xinbei District, Changzhou
Jiangsu 213022
China
Phone: +86 519 85287270

Responsible Party – U.S. Contact Information:

Ohaus Corporation
7 Campus Drive, Suite 310
Parsippany, NJ 07054
United States
Phone: +1 973 377 9000
Web: www.ohaus.com

FCC Compliance Statement:

Note: This equipment has been tested and found to comply with the limits for a Class A digital device, pursuant to part 15 of the FCC Rules. These limits are designed to provide reasonable protection against harmful interference when the equipment is operated in a commercial environment. This equipment generates, uses, and can radiate radio frequency energy and, if not installed and used in accordance with the instruction manual, may cause harmful interference to radio communications. Operation of this equipment in a residential area is likely to cause harmful interference in which case the user will be required to correct the interference at his own expense. Changes or modifications not expressly approved by the party responsible for compliance could void the user's authority to operate the equipment.

9. APPENDICES

9.1 Appendix A

MT Standard Continuous Output

A checksum character can be enabled or disabled with continuous output. The data consists of 17 or 18 bytes as shown in the standard continuous output.

Table 9-1.

Non-significant weight data and tare data digits are transmitted as spaces. The continuous output mode provides compatibility with OHAUS products that require real-time weight data. the standard continuous output. Table 9-1 shows the format for the standard continuous output.

Table 9-1: Standard Continuous Output Format

	Status ²			Indicated Weight ³						Tare Weight ⁴								
Character	1	2	3	4	5	6	7	8	9	10	11	12	13	14	15	16	17	18
Data	STX ¹	SB-A	SB-B	SB-C	MSD	-	-	-	-	LSD	MSD	-	-	-	-	LSD	CR ⁵	CHK ⁶

Continuous Output Format Notes:

1. ASCII Start of Text character (02 hex), always transmitted.
2. Status bytes A, B and C. Refer to Table 5-2, Table 5-3, and Table 5-4 for details of the structure.
3. Displayed weight. Either gross or net weight. Six digits, no decimal point or sign. Insignificant leading zeroes are replaced with spaces.
4. Tare weight. Six digits of tare weight data. No decimal point in field.
5. ASCII Carriage Return <CR> character (0D hex).
6. Checksum, transmitted only if enabled in setup. Checksum is used to detect errors in the transmission of data. Checksum is defined as the 2's complement of the seven low order bits of the binary sum of all characters preceding the checksum character, including the <STX> and <CR> characters.

Table 9-2, Table 9-3, and Table 9-4 detail the status bytes for standard continuous output.

Table 9-2: Status Byte A Bit Definitions

Bits 2, 1, and 0			
2	1	0	Decimal Point Location
0	0	0	XXXXXX00
0	0	1	XXXXXX0
0	1	0	XXXXXXX
0	1	1	XXXXXX.X
1	0	0	XXXX.XX
1	0	1	XXX.XXX
1	1	0	XX.XXXX
1	1	1	X.XXXXX
Bits 4 and 3			
4		3	Build Code
0		1	X1
1		0	X2
1		1	X5
Bit 5			Always = 1
Bit 6			Always = 0

Table 9-3: Status Byte B Bit Definitions

Status Bits	Function
Bit 0	Gross = 0, Net = 1
Bit 1	Sign, Positive = 0, Negative = 1
Bit 2	Out of Range = 1 (Over capacity or Under Zero)
Bit 3	Motion = 1, Stable = 0
Bit 4	lb = 0, kg = 1 (see also Status Byte C, bits 0, 1, 2)
Bit 5	Always = 1
Bit 6	Zero Not Captured after power-up = 1

Table 9-4: Status Byte C Bit Definitions

Bits 2, 1, and 0			Weight Description
2	1	0	
0	0	0	lb or kg, selected by Status Byte B, bit 4
0	0	1	grams (g)
0	1	0	metric tons (t)
0	1	1	ounces (oz)
1	0	0	not used
1	0	1	not used
1	1	1	tons (ton)
1	1	1	no units
Bit 3			Print Request = 1
Bit 4			Expand Data x 10 = 1, Normal = 0
Bit 5			Always = 1
Bit 6			Always = 0

9.2 Appendix B

MT-SICS Commands

	Command	Function
LEVEL 0	@	Reset the scale
	I0	Inquiry of all available SICS commands
	I1	Inquiry of SICS level and SICS versions
	I2	Inquiry of scale data
	I3	Inquiry of scale software version
	I4	Inquiry of serial number
	S	Send stable weight value
	SI	Send weight value immediately
	SIR	Send weight value repeatedly
	Z	Zero the scale
	ZI	Zero immediately
LEVEL 1	D	Write text into display
	DW	Weight display
	SR	Send and repeat stable weight value
	T	Tare
	TA	Tare value
	TAC	Clear tare
	TI	Tare immediately
LEVEL 2	C2	Calibrate with the external calibration weight
	C3	Calibrate with the internal calibration weight
	I10	Inquire or set scale ID
	I11	Inquire of scale type
	P100	Print out on the printer
	P101	Print out stable weight value
	P102	Print out current weight value immediately
	SIRU	Send weight value in the current unit immediately and repeat
	SIU	Send weight value in the current unit immediately
	SNR	Send stable weight value and repeat after every weight change
	SNRU	Send stable weight value in the current unit and repeat after every weight change
	SRU	Send weight value in the current unit and repeat
	ST	After pressing the Transfer key, send the stable weight value
	SU	Send stable weight value in the current unit
LEVEL 3	M01	Weighing mode
	M02	Stability setting
	M03	Autozero function
	M19	Send calibration weight
	M21	Inquire/set weight unit
	PRN	Print out at every printer interface
	RST	Restart
	SFIR	Send weight value immediately and repeat quickly
	SIH	Send weight value immediately in high resolution
	SWU	Switch weight unit
	SX	Send stable data record
	SXI	Send data record immediately
	SXIR	Send data record immediately and repeat
	U	Switch weight unit

Tabla de contenidos

1.	INTRODUCCIÓN	3
1.1.	PRECAUCIONES DE SEGURIDAD.....	3
1.2.	USO PREVISTO	3
1.3.	VISTA GENERAL DE PIEZAS Y CONTROLES	4
1.4.	PLACA BASE	5
1.5.	FUNCIONES DE CONTROL	6
2.	INSTALACIÓN	9
2.1	DESEMBALAJE	9
2.2	CONEXIONES EXTERNAS	9
2.2.1	Base de báscula con conector EasyConnect™.....	9
2.2.2	Entrada de corriente en i-DT61PW.....	9
2.2.3	Corriente AC al i-DT61XWE	9
2.3	CONEXIONES INTERNAS	9
2.3.1	Apertura de la carcasa	9
2.3.2	Base de báscula sin conector EasyConnect™.....	10
2.3.3	Cable de interfaz de comunicación con i-DT61PW.....	14
2.3.4	Cable de interfaz RS232 a i-DT61XWE.....	15
2.4	SOPORTE DE MONTAJE	15
3.	FUNCIONAMIENTO	16
3.1	APAGADO Y ENCENDIDO DE LA BALANZA	16
3.2	MODO DE PESAJE	16
3.2.1	Introducción del modo y comenzar a pesar	16
3.2.2	Acumulación y estadísticas	16
3.2.3	Verificar.....	17
3.2.4	Configuraciones de la aplicación.....	18
3.3	MODO DE CONTEO	19
3.3.1	Introducción del modo	19
3.3.2	Establecer un APW.....	19
3.3.3	Iniciar el conteo.....	19
3.3.4	Configuraciones de la aplicación.....	19
3.4	MODO PORCENTAJE	20
3.4.1	Introducción del modo	20
3.4.2	Establecer un peso de referencia	20
3.4.3	Iniciar el pesaje por porcentaje	20
3.4.4	Configuraciones de la aplicación.....	20
3.5	MODO DINÁMICO.....	21
3.5.1	Introducción del modo	21
3.5.2	Iniciar el pesaje dinámico.....	21
3.5.3	Configuraciones de la aplicación.....	21
3.6	MODO DE LLENADO.....	22
3.6.1	Introducción del modo	22
3.6.2	Iniciar el llenado.....	22
3.6.3	Reinicio y pausa del llenado	22
3.6.4	Visualización de la Pantalla de la Matriz de Puntos.....	22
3.6.5	Configuraciones de la aplicación.....	23
4.	CONFIGURACIONES DEL MENÚ	24
4.1	NAVEGACIÓN POR EL MENÚ	24
4.1.1	Menú de usuario	24
4.1.2	Botones de navegación	25
4.2	MENÚ DE CALIBRACIÓN.....	26
4.2.1	Calibración inicial	26
4.2.2	Calibración cero [ZERR]	26
4.2.3	Calibración de rango [SPRN]	26
4.2.4	Calibración de la linealidad [L #].....	27
4.2.5	Ajuste GEO [GEO]	27
4.2.6	Prueba de calibración [L.E.S.].....	28

4.2.7	<i>Fin de Cal. [End]</i>	28
4.3	MENÚ DE CONFIGURACIÓN	29
4.4	MENÚ DE LECTURA.....	33
4.5	MENÚ DE UNIDADES.....	35
4.6	MENÚ GLP/GMP	35
4.7	COMUNICACIÓN	36
4.7.1	<i>Menú RS232</i>	36
4.7.2	<i>Menú imprimir</i>	38
4.7.3	<i>Configuración de RS485</i>	41
4.7.4	<i>Configuración de Ethernet</i>	41
4.7.5	<i>Configuración analógica</i>	41
4.8	MEMORIA	41
4.8.1	<i>Memoria del menú (para el modelo i-DT61PW)</i>	41
4.8.2	<i>Memoria USB (para el modelo i-DT61XWE)</i>	41
4.8.3	<i>Memoria Alibi (para el modelo i-DT61XWE)</i>	42
4.9	I.O DISCRETA (PARA EL MODELO I-DT61XWE)	46
4.9.1	<i>Tipo de I/O</i>	46
4.9.2	<i>Entrada</i>	47
4.9.3	<i>Salida</i>	47
4.10	CONFIGURACIÓN DE LA TECLA DE BLOQUEO	47
4.11	BIBLIOTECA (PARA EL MODELO I-DT61XWE)	48
4.12	USUARIO (PARA EL MODELO I-DT61XWE)	50
4.13	USB (PARA EL MODELO I-DT61XWE)	52
4.13.1	<i>Unidad de memoria USB</i>	52
4.13.2	<i>RFID</i>	52
4.13.3	<i>Código de Barras</i>	53
4.13.4	<i>Teclado</i>	53
4.13.5	<i>Dongle Wi-Fi/Bluetooth (Opcional)</i>	53
5.	LEGAL FOR TRADE	56
5.1	CONFIGURACIONES.....	56
5.2	VERIFICACIÓN	56
5.3	SELLADO	56
6.	MANTENIMIENTO	58
6.1	LIMPIEZA.....	58
6.1.1	<i>Limpieza del modelo i-DT61PW</i>	58
6.1.2	<i>Limpieza del modelo i-DT61XWE</i>	58
6.2	RESOLUCIÓN DE PROBLEMAS	59
6.3	INFORMACIÓN DE SERVICIO	60
7.	DATOS TÉCNICOS	60
7.1	ESPECIFICACIONES	60
7.2	TABLA DE GEOVALORES	63
8.	CUMPLIMIENTO DE NORMATIVAS	64
9.	APÉNDICES	65
9.1	APÉNDICE A.....	65
9.2	APÉNDICE V	67

1. INTRODUCCIÓN

Este manual contiene las instrucciones de instalación, funcionamiento y mantenimiento los indicadores i-DT61PW e i-DT61XWE. Lea este manual íntegramente antes de la instalación y el funcionamiento.

1.1. Precauciones de seguridad

Definición de los símbolos y señales de aviso

Las notas de seguridad aparecen indicadas con palabras indicativas y símbolos de aviso. Muestran avisos y temas relacionados con la seguridad. Ignorar las notas de seguridad puede conllevar lesiones personales, daños al aparato, un mal funcionamiento o resultados falsos.

AVISO: Para una situación peligrosa con un riesgo medio; si no se evita, puede conllevar lesiones graves o la muerte.

PRECAUCIÓN: Para una situación peligrosa con un riesgo bajo; si no se evita puede conllevar daños al aparato o a otros bienes, pérdidas de datos, o lesiones leves o medias.

ATENCIÓN: Para información importante acerca del producto. Si no se evita puede conllevar daños en el equipo.

NOTA Para información útil acerca del producto.

Símbolos de aviso



Peligro general



Peligro de explosión



Peligro de descarga eléctrica

Precauciones de seguridad



PRECAUCIÓN Lea todas las recomendaciones de seguridad antes de realizar la instalación, las conexiones, o de llevar a cabo cualquier mantenimiento en este equipo. Si no se cumplen estos avisos, puede conllevar lesiones personales y/o daños en otros bienes. Conserve todas las instrucciones para futuras consultas.

- Antes de conectarlo a la corriente, compruebe que el rango de tensión de entrada del adaptador de CA y el tipo de enchufe son compatibles con la fuente de alimentación local de CA.
- No coloque el equipo de tal forma que sea complicado alcanzar la conexión a la corriente.
- Conecte el cable de corriente únicamente a un enchufe con toma a tierra.
- Asegúrese de que el cable de corriente no suponga un obstáculo en potencia o un peligro para tropezarse.
- Utilice el equipo solo bajo las condiciones ambientales que se especifican en estas instrucciones.
- Este equipo es solo para uso en interiores.
- No utilice el equipo en entornos peligrosos o inestables.
- No coloque el equipo boca abajo sobre la plataforma.
- Utilice solo accesorios y periféricos aprobados.
- Desconecte el equipo de la fuente de alimentación cuando lo limpie.
- El mantenimiento debe ser llevado a cabo solo por personal autorizado.



ATENCIÓN: No trabaje nunca en un entorno que esté sujeto a peligro de explosión. La carcasa del equipo no es hermética al gas. (Peligro de explosión debido a la generación de chispas, corrosión provocada por la entrada de gases).



ATENCIÓN: Dentro de la carcasa existe el peligro de descargas eléctricas. La carcasa solo debe ser abierta por personal autorizado y cualificado. Antes de abrirla, desconecte todas las tomas de alimentación.

1.2. Uso previsto

Este instrumento está previsto para ser utilizado en la industria ligera. Solo debe ser utilizado para medir los parámetros descritos en las presentes instrucciones de funcionamiento. Cualquier otro tipo de uso o de funcionamiento que exceda los límites de las especificaciones técnicas, y que no cuente con el consentimiento por escrito de OHAUS, será considerado como no previsto. Este dispositivo cumple con los estándares industriales vigentes y con las normativas de seguridad aprobadas; sin embargo, su uso puede conllevar ciertos peligros, Si el dispositivo no se utiliza de acuerdo con estas instrucciones de funcionamiento, las medidas de seguridad con las que va equipado se verán afectadas.

1.3. Vista general de piezas y controles

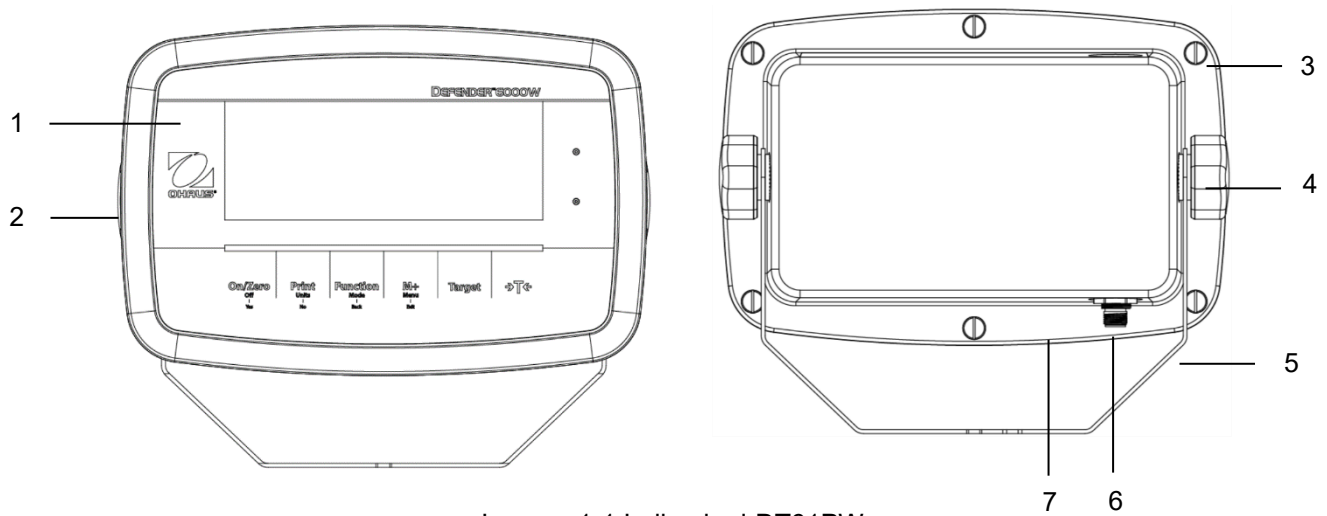


Imagen 1-1 Indicador i-DT61PW

Elemento	Descripción
1	Panel de control
2	Carcasa frontal
3	Tornillos (6)
4	Perillas de ajuste (2)
5	Soporte de montaje
6	Conector de células de carga
7	Carcasa trasera

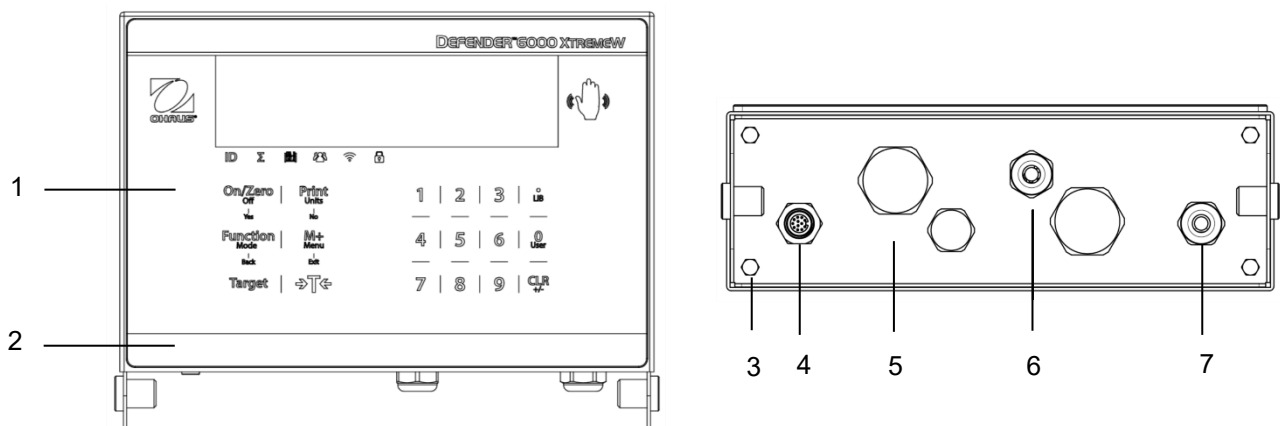
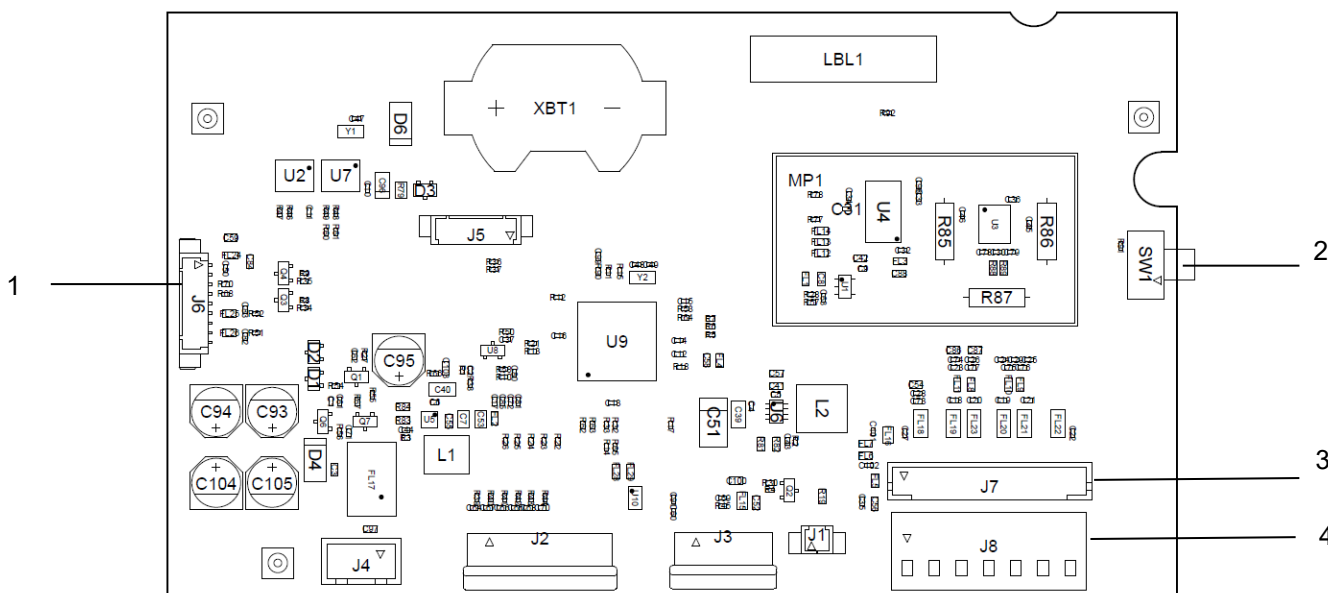


Imagen 1-2 Indicador i-DT61XWE

Elemento	Descripción
1	Panel de control
2	Carcasa frontal
3	Tornillos (4)
4	Conector de células de carga
5	Carcasa inferior
6	Prensacables opcional
7	Cable de corriente

1.4. Placa base



.Imagen 1-3 Placa base i-DT61PW

Elemento	Descripción
1	Conector de comunicación IR (J6)
2	Interruptor de seguridad (SW1)
3	Conector de células de carga (J7)
4	Bloque del terminal de células de carga (J8)

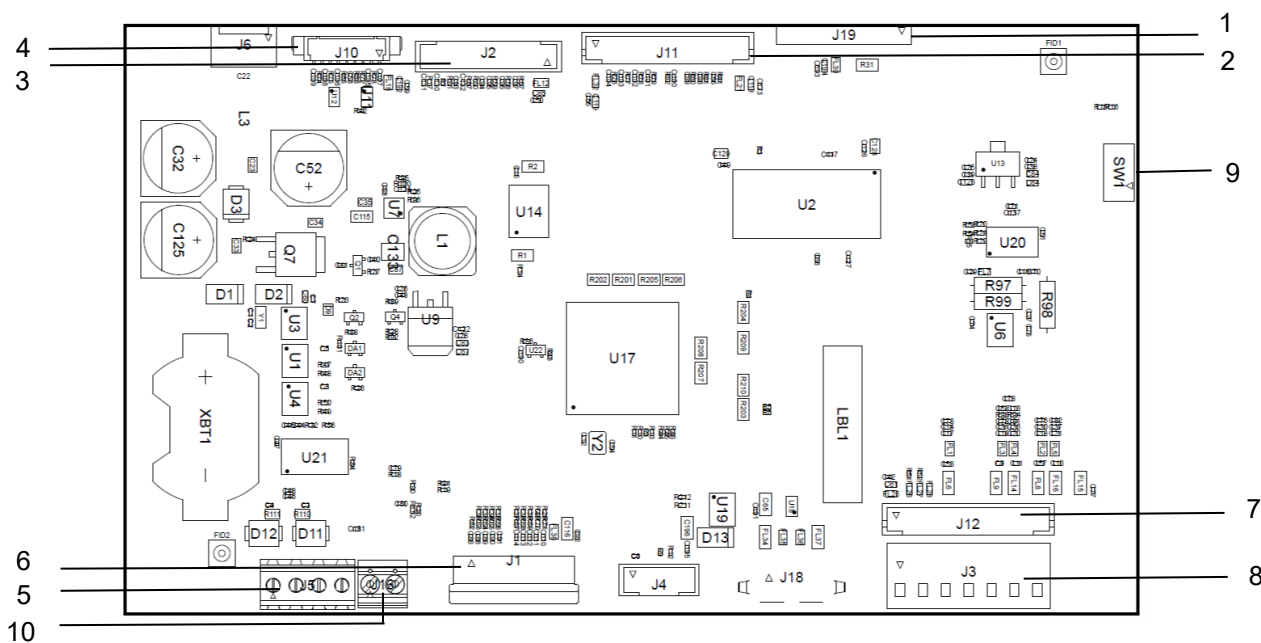


Imagen 1-4 Placa base i-DT61XWE

Elemento	Descripción	Elemento	Descripción
1	Conector de placa de memoria Alibi (J19)	6	Conector del teclado (J1)
2	Conector del dispositivo Discreto I/O/Analógico/RS232-RS485-USB (J11)	7	Conector de células de carga (J12)
3	Conector de la placa de la pantalla (J2)	8	Bloque del terminal de células de carga (J3)
4	Conector Ethernet (J10)	9	Conector del interruptor de seguridad (SW1)
5	Conector RS232 (J5)	10	Entrada0 discreta (J16)

1.5. Funciones de control



Panel de control i-DT61PW



Panel de control i-DT61XWE

Botón	On/Zero Off Yes	Print Units No	Function Mode Back	M+ Menu Exit	Target	→T←
Función primaria (Pulsación corta)	On/Zero Si la terminal está apagada, pulse para encenderla. Si la terminal está encendida, pulse para establecer el punto cero.	Print Envía el valor actual a los puertos COM seleccionados si está activada la opción IMPRESIÓN AUTOMÁTICA.	Function Inicia un modo de aplicación.	M+ Acumula el peso o muestra la información acumulada sin carga en el plato.	Target Establece un valor límite inferior/superior para la Comprobación.	Tare Introduce/borra un valor de tara; Cuando aparezcan los datos de acumulación, pulse para borrarlos.
Función secundaria (Pulsación larga)	Off Si la terminal está encendida, pulse para apagarla.	Units Cambia la unidad de pesaje.	Mode Permite cambiar el modo de aplicación.	Menu Accede al Menú de usuario.	Target Muestra un valor límite inferior/superior para la Comprobación.	Tare Muestra el peso de tara.
Función del menú. (Pulsación corta)	Yes Acepta la configuración actual en la pantalla.	No Avanza al siguiente menú o elemento del menú. Rechaza la configuración actual en la pantalla y avanza al siguiente modo disponible.	Back Vuelve al elemento de menú anterior.	Exit Sale del Menú de usuario. Cancela la calibración en curso.		

Notas:

- Pulsación corta: pulsar menos de 1 segundo.
- Pulsación larga: mantener pulsado más de 2 segundos.

Teclado numérico (i-DT61XWE)

Función primaria (Pulsación corta)	1-9 Introduce valores numéricos	. Introduce un punto decimal (.)	0 Introduce valores numéricos 0.	CLR Borra el valor introducido. Borra una APW existente. Cuando aparezcan los datos de acumulación, pulse para borrarlos.
Función secundaria (Pulsación larga)		LIB Busca elementos de la biblioteca con teclas numéricas.	Usuario Busca usuarios con teclas numéricas.	+/- Cambia entre el valor positivo y negativo.

Nota: para el modelo i-DT61XWE, si pulsa a la vez durante tres segundos los botones y **CLR** puede bloquear todos los botones. Al realizar de nuevo el mismo procedimiento puede desbloquear todos los botones.

Cuando todos los botones estén bloqueados, se encenderá el icono .

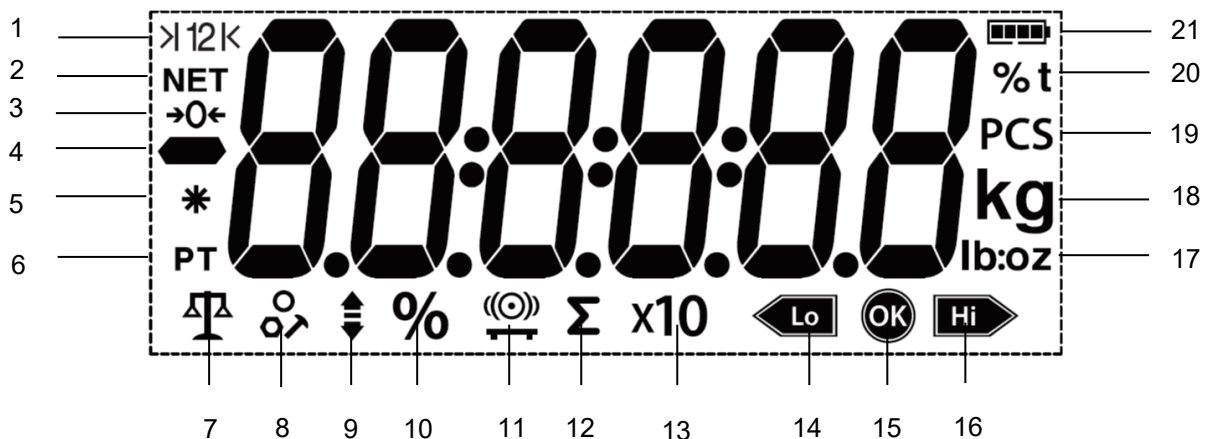


Imagen 1-5 Pantalla i-DT61PW

Elemento	Descripción	Elemento	Descripción
1	Símbolo del rango (no se usa)	12	Símbolo de acumulación
2	Símbolo NETO	13	Símbolo de extensión de la resolución (no se usa)
3	Símbolo del centro de cero	14	Símbolo inferior de comprobación del pesaje
4	Símbolo negativo	15	Símbolo aceptable
5	Símbolo de peso estable	16	Símbolo superior de comprobación del pesaje
6	Símbolos de tara, tara predefinida	17	Símbolos de libra, onza, libra:onza
7	Símbolo de modo de pesaje	18	Símbolos de kilogramo, gramo
8	Símbolo de modo de conteo	19	Símbolo de unidades
9	Símbolo de modo de comprobación del pesaje	20	Símbolo de porcentaje, símbolo de tonelada (no se usa)
10	Símbolo de modo de pesaje de porcentaje	21	Símbolo de la batería
11	Símbolo de modo de pesaje dinámico		

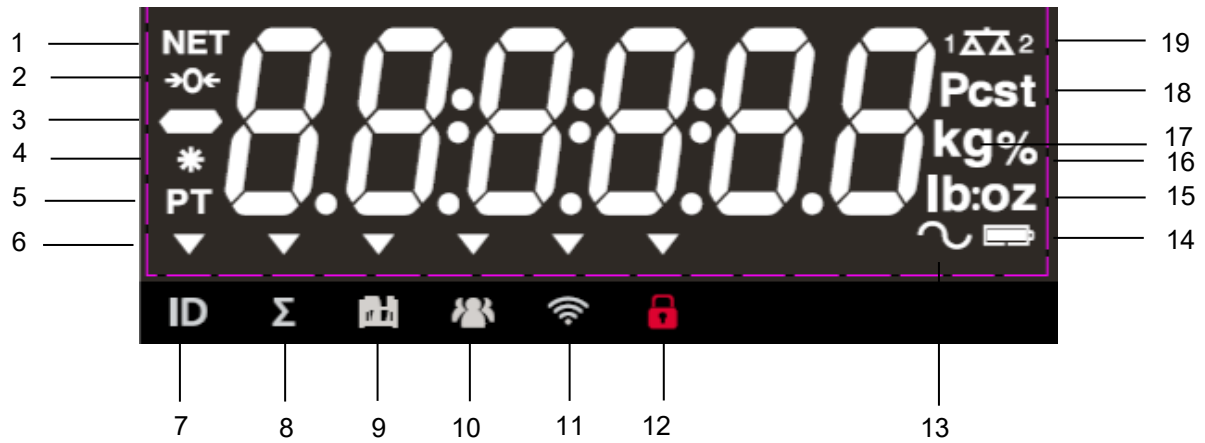


Imagen 1-6 Pantalla i-DT61XWE

Elemento	Descripción	Elemento	Descripción
1	Símbolo NETO	11	Símbolo Wi-Fi
2	Símbolo del centro de cero	12	Símbolo de bloqueo
3	Símbolo negativo	13	Símbolo dinámico (tilde)
4	Símbolo de peso estable	14	Símbolo de la batería (no se usa)
5	Símbolos de tara, tara predefinida	15	Símbolos de libra, onza, libra:onza
6	Símbolos de indicación	16	Símbolo de porcentaje
7	Símbolo de ID	17	Símbolos de kilogramo, gramo
8	Símbolo de acumulación	18	Símbolo de unidades, símbolo de tonelada (no se usan)
9	Símbolo de biblioteca	19	Símbolo de balanza (no se usa)
10	Símbolo de usuario		

2. INSTALACIÓN

2.1 Desembalaje

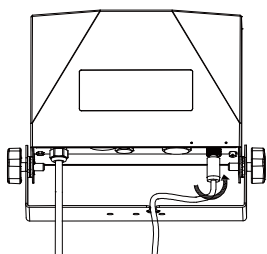
Desembale los siguientes elementos

- Indicador i-DT61PW o i-DT61XWE
- 6 células de baterías secas tamaño D (solo i-DT61PW)
- Soporte de montaje
- Perillas (2)
- Guía de instalación rápida
- Manual de instrucciones

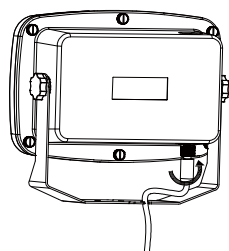
2.2 Conexiones externas

2.2.1 Base de báscula con conector EasyConnect™

Para conectar la base de la balanza OHAUS con el conector EasyConnect™ a la terminal, enchufe el conector de la base al conector de la célula de carga externa situado en la parte inferior del terminal. A continuación, gire el anillo de bloqueo del conector de la base en el sentido de las agujas del reloj. Compruebe los detalles en la siguiente imagen.







i-DT61XWE



i-DT61PW

2.2.2 Entrada de corriente en i-DT61PW

Utilice baterías secas de 6 celdas tamaño D. Durante el funcionamiento con batería, el símbolo de la batería indica el estado de la batería.

-  5 %~25 % de batería restante
-  25%~50% de batería restante
-  50%~75% de batería restante
-  75%~100% de batería restante

2.2.3 Corriente AC al i-DT61XWE

Conecte la toma AC a un enchufe.

2.3 Conexiones internas

Para algunas conexiones es necesario abrir la carcasa.

2.3.1 Apertura de la carcasa



PRECAUCIÓN: PELIGRO DE DESCARGA ELÉCTRICA. RETIRE TODAS LAS TOMAS DE ALIMENTACIÓN DEL INDICADOR ANTES DE REALIZAR EL MANTENIMIENTO O LAS CONEXIONES INTERNAS. LA CARCASA SOLO DEBE SER ABIERTA POR PERSONAL AUTORIZADO Y CUALIFICADO, COMO POR EJEMPLO UN TÉCNICO ELECTRICISTA.

i-DT61PW

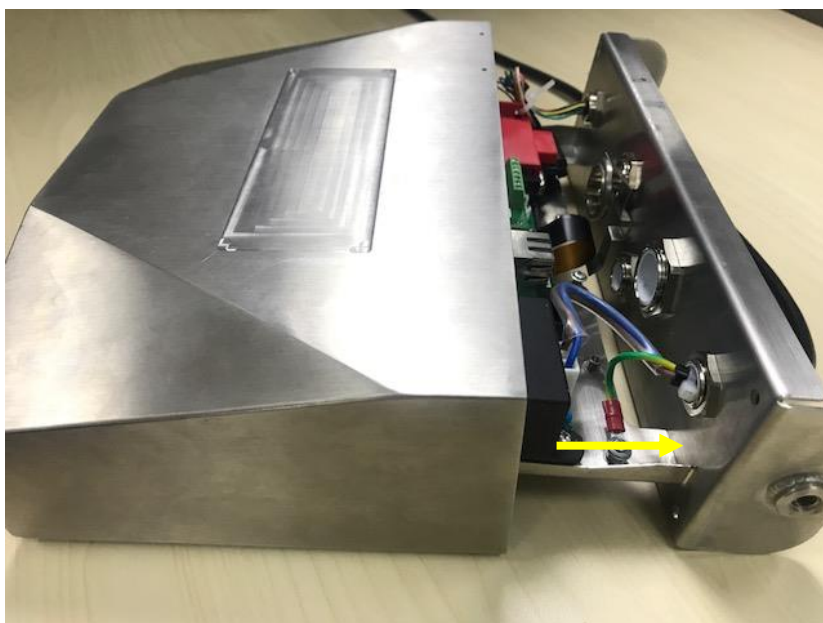
1. Retire los seis tornillos de cabeza Phillips de la carcasa trasera.
2. Retire la carcasa frontal. Tenga cuidado de no modificar las conexiones internas.
3. Una vez que estén realizadas todas las conexiones, vuelva a colocar la carcasa frontal.

i-DT61XWE

1. Retire los cuatro tornillos de cabeza hexagonal de la carcasa inferior.



2. Abra la carcasa empujando hacia atrás con cuidado la cubierta inferior.



3. Una vez que estén realizadas todas las conexiones, vuelva a colocar la cubierta inferior.

Nota: Los tornillos deben apretarse con un par de apriete de 2,5 N-m (20-25 in-lb) para asegurar un cierre hermético.

2.3.2 Base de báscula sin conector EasyConnect™

Para conectar las bases (que no disponen del conector EasyConnect™) a los modelos i-DT61PW o i-DT61XWE, hay disponible como accesorio un kit de prensacables para células de carga (P/N 30379716).

Retirada del conector preinstalado de la célula de carga y del juego de cables

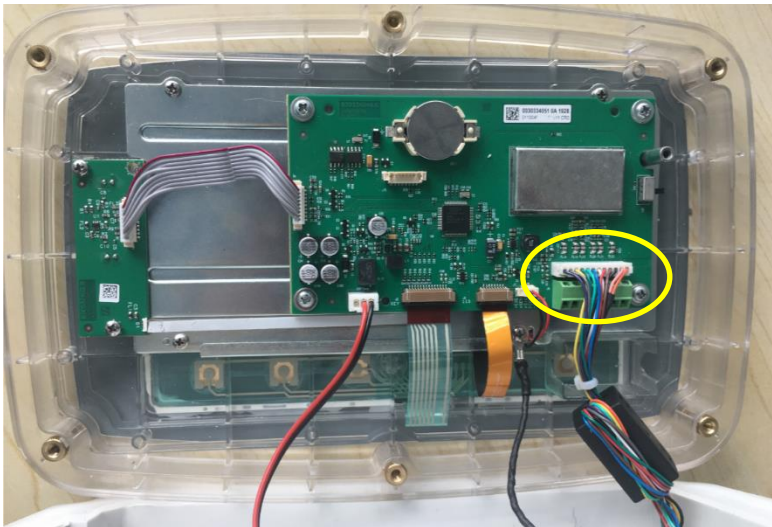
Antes de llevar a cabo las conexiones, retire el conector de células de carga preinstalado y el juego de cables siguiendo los siguientes pasos.

i-DT61PW

1. Retire los 6 tornillos de cabeza Phillips, y abra la carcasa trasera empujando hacia adelante con cuidado la carcasa frontal.
2. Desenchufe los conectores blancos de células de carga de la carcasa principal (dos círculos).



3. Abra la cubierta frontal soltando los 12 tornillos de cabeza Phillips.
4. Desenchufe los conectores blancos de células de carga de la placa principal PCBA.

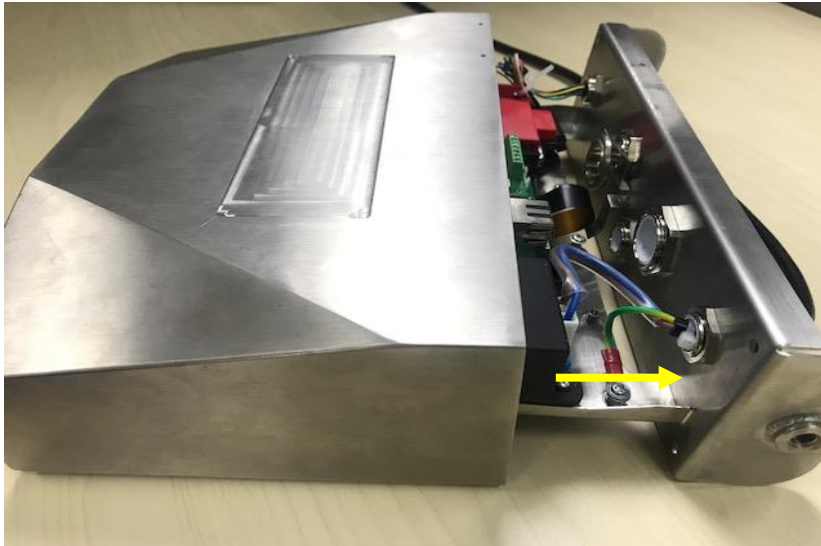


i-DT61XWE

1. Coloque el terminal boca abajo, y desenrosque los tornillos marcados en el siguiente gráfico.



2. Extraiga la parte inferior del terminal.



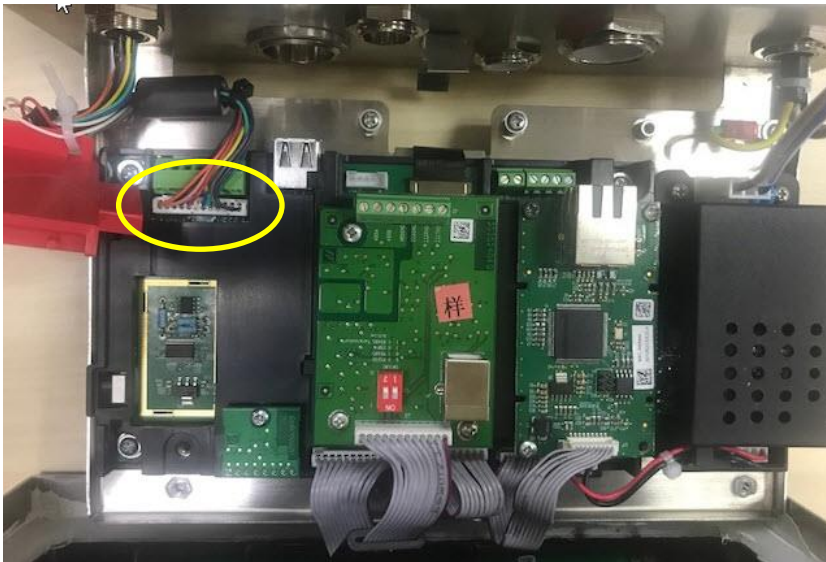
3. Use un destornillador para desatornillar la tapa de sellado.



4. Tire de la parte que sobresale de la tapa de sellado un poco hacia adelante para liberarla.



5. Extraiga la tapa de sellado y desconecte los conectores blancos de células de carga.



Instalación del cable y los conectores de la célula de carga

Para cumplir con ciertos límites de emisión de ruido eléctrico y para proteger los modelos i-DT61PW y el i-DT61XWE de las influencias externas, es necesario instalar un núcleo de ferrita en el cable de la célula de carga que va conectada al terminal. El núcleo de ferrita va incluido con el terminal.

Para instalar la ferrita, basta con pasar el cable a través del centro del núcleo y a continuación darle una vuelta alrededor de la parte exterior del núcleo y volver a pasar el cable a través del centro. Se puede envolver el cable completo o los cables individuales a través de la ferrita. Esto debe hacerse lo más cerca posible de la zona eléctrica cerrada. Ver imagen 2-1.



Imagen 2-1

Conexión de cableado de la placa principal

Una vez abierta la zona eléctrica cerrada de los modelos i-DT61PW e i-DT61XWE se pueden realizar las conexiones a los bloques del terminal en la placa principal, tal y como se muestra en la imagen 2-2.



i-DT61PW



i-DT61XWE

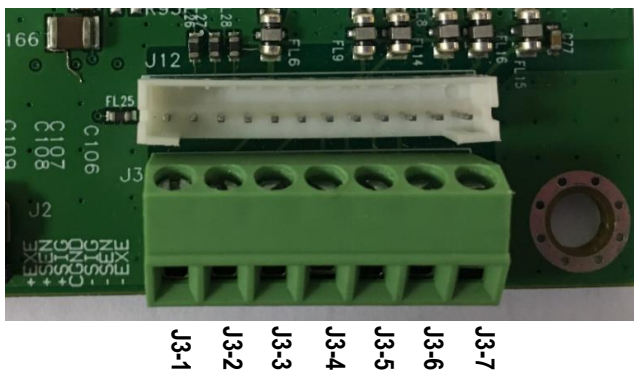
Bloques del terminal de células de carga

Imagen 2-2

Conexiones puente

Los indicadores i-DT61PW e i-DT61XWE están diseñados para soportar células de carga de 2mV/V y 3mV/V del mismo circuito. No es necesario un puente de selección de ratio de salida de célula de carga.

La imagen 2-3 muestran las definiciones del terminal para los bloques del terminal de células de carga analógicas. Tenga en cuenta que al usar células de carga de cuatro cables, los puentes deben colocarse entre los terminales +Excitación y el +Sentido y entre los terminales -Excitación y -Sentido.



Clavija	Conexión
J3-1	+EXC
J3-2	+SEN
J3-3	+SIN
J3-4	GND
J3-5	-SIN
J3-6	-SEN
J3-7	-EXC

Imagen 2-3 Conexiones puente

Una vez finalizado el cableado, sustituya los tornillos de la carcasa del indicador. Asegúrese de que el prensacables estanco está correctamente apretado.

2.3.3 Cable de interfaz de comunicación con i-DT61PW

Conecte el cable de Comunicación IR (N/P: 30572910) al panel frontal del indicador, asegúrese de que los dos agujeros del módulo del cable de la interfaz coinciden con los dos pernos que se encuentran en el panel frontal.

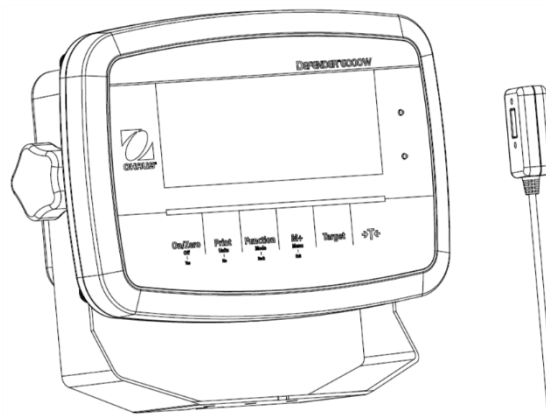


Imagen 2-4

2.3.4 Cable de interfaz RS232 a i-DT61XWE

Pase el cable RS232 opcional a través del prensacable y conéctelo al conector RS232 de la placa principal. Apriete el prensacable para mantener el sello hermético. Por favor, consulte en la Imagen 2-7 la posición del conector del puerto en serie RXD TXD y GND.

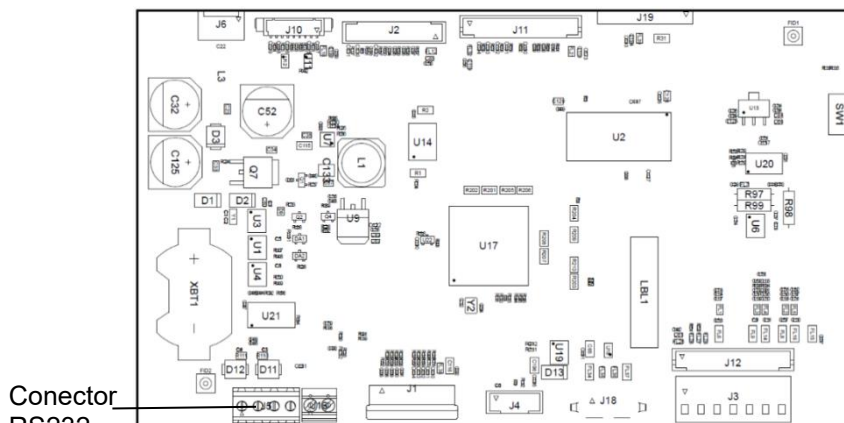
Nota:

- Consulte la sección Apertura de la carcasa para conocer cómo abrir la cubierta del terminal
- Para conocer más detalles acerca de la función Entrada0 discreta, consulte la sección I/O Discreta (para i-DT61XWE).



Imagen 2-5
Prensacables opcional

Entrada0 discreta



Conector RS232

Imagen 2-6 Conector RS232 conector a la placa principal

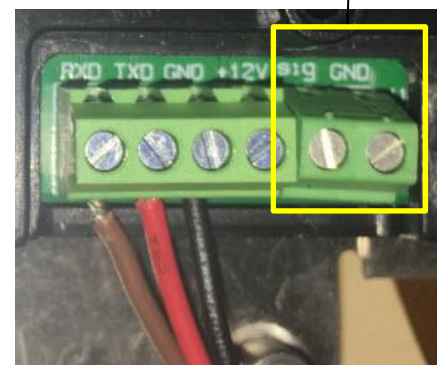


Imagen 2-7
Conector RS232

2.4 Soporte de montaje

Fije el soporte a una pared o a una mesa utilizando unas fijaciones (no suministradas) que sean apropiadas para el tipo de superficie de montaje. El soporte permite colocar tornillos de hasta 6 mm de diámetro (1/4"). Localice los orificios de montaje como se muestra en la Figura 2-8 y 2-9.

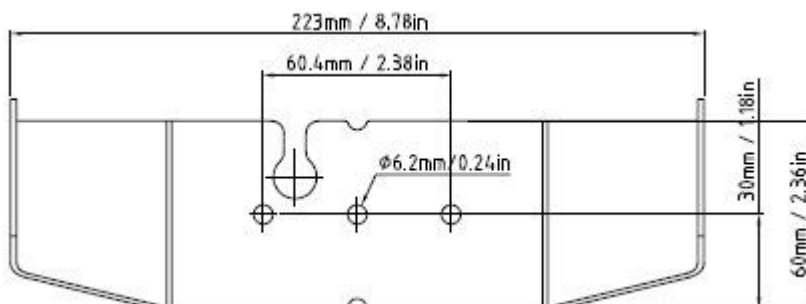


Imagen 2-8 Dimensiones del soporte de montaje para i-DT61PW

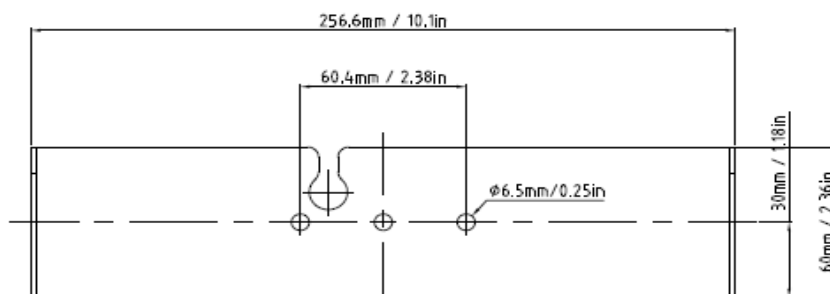


Imagen 2-9 Dimensiones del soporte de montaje para i-DT61XWE

3. FUNCIONAMIENTO

3.1 Apagado y encendido de la balanza

Para encender la balanza, mantenga pulsado el botón **On/Zero Off** durante 1 segundo. La balanza realiza una prueba de pantalla, momentáneamente aparece la versión del software, y a continuación pasa al modo de pesaje activo.


To apagar la balanza, mantenga pulsado el botón **On/Zero Off** hasta que aparezca **OFF**.

3.2 Modo de pesaje

Utilice esta aplicación para determinar el peso de los elementos en la unidad de medida seleccionada. Este modo es el ajuste de fábrica por defecto.

3.2.1 Introducción del modo y comenzar a pesar

Para introducir el modo de pesaje desde cualquier modo de la aplicación:

1. Mantenga pulsado el botón **Mode** hasta que aparezca **WEIGH**.
2. Si es necesario, coloque un contenedor vacío sobre la bandeja y pulse el botón  para realizar la tara.
3. Añada la muestra a la bandeja o al contenedor. La pantalla muestra el peso de la muestra.

Nota: Consulte la sección **Verificaciones** para consultar cómo usar las Verificaciones en el modo de pesaje.

3.2.2 Acumulación y estadísticas

La función de Acumulación permite la totalización manual o automática de los valores mostrados. Los datos estadísticos (peso total acumulado, pesos mínimos/máximos, unidades, porcentaje y número total de muestras) se almacenan en la memoria para su posterior revisión e impresión. La acumulación funciona conjuntamente con cada modo de aplicación, excepto con la función de Llenado, pero los datos de acumulación se borrarán cuando se cambie a otro modo.

3.2.2.1 Configuraciones

Hay cuatro opciones de acumulación:

- Apagado (**OFF**): desactiva la función de acumulación:
- Manual (**MANUAL**): presione el botón **M+** para realizar la acumulación de forma manual.
- Auto (**AUTO**): la balanza realizará la acumulación de forma manual.
- Aceptar (**ACCEPT**): La balanza realizará la acumulación de forma automática en el modo **Verificar** cuando el peso sobre la bandeja sea aceptable, y se encuentre entre los valores superior e inferior que haya establecido.

Para configurar las opciones de acumulación:

1. Mantenga presionado el botón **Menu** hasta que vea **C.R.L.**
2. Pulse una vez el botón **No**. Cuando vea **S.E.L.U.P**, pulse el botón **Yes**.
3. Pulse el botón **No** varias veces para navegar hasta que vea **ACCUM**. Pulse el botón **Yes**.
4. Pulse el botón **No** varias veces para seleccionar la opción de acumulación que desee. Anteriormente se han presentado las cuatro opciones. A continuación pulse el botón **Yes** para confirmar.
5. Pulse el botón **Exit** para salir.

3.2.2.2 Acumulación

Manual

Coloque el artículo sobre la balanza y pulse el botón **M+** para añadir el peso a la acumulación. El indicador Σ seguirá parpadeando hasta que peso sea retirado y la balanza esté estable.

Auto


Coloque el artículo sobre la balanza. El valor que se muestra se acumula automáticamente. El indicador Σ seguirá parpadeando hasta que peso sea retirado y la plataforma esté estable.

Aceptar

Coloque el artículo sobre la balanza en el modo Verificar. El valor que se muestra se acumula automáticamente. Cuando el peso es aceptable y se sitúa entre el valor inferior y superior que haya establecido.

3.2.2.3 Visualización y borrado de datos estadísticos.

Cuando la bandeja esté libre, pulse el botón **M+** para visualizar la acumulación y el resultado estadístico.

Para borrar los datos de la acumulación, pulse el botón **CLR** del terminal i-DT61XWE o el  botón del terminal i-DT61PW mientras se muestra la información estadística. Cuando aparezca en la pantalla **CLR.ACC**, pulse el botón **Yes** para borrar los datos almacenados y volver al modo actual.

Notas:

- Se debe retirar el artículo de la bandeja antes de poder acumular el siguiente artículo.
- Solo se almacenan los pesos estables.
- Si se cambia de modo se borrarán los datos de acumulación almacenados.
- Cuando la opción Legal for Trade está ENCENDIDA: para NTEP, el peso bruto y neto no se pueden añadir al mismo total. Si el primer peso se registra en bruto, los siguientes deberían registrarse del mismo modo. Ocurre lo mismo con el peso neto.

3.2.3 Verificar

Utilice esta aplicación para determinar el peso de artículos con un rango de peso objetivo. Este modo está disponible para Pesaje, Conteo, Porcentaje, y Dinámico.

3.2.3.1 Establecer los límites de verificación.

i-DT61PW

1. Pulse el botón **Target** desde el modo Pesaje, Conteo, Porcentaje y Dinámico para establecer los límites de verificación.
2. En la pantalla aparecerá **UNdEr**.
3. Pulse el botón **Yes** para editar el valor inferior.
4. Si hay un valor inferior almacenado de la ocasión anterior, aparecerá en la pantalla. Por ejemplo: 1,0 kg.
 - Pulse el botón **Yes** si desea utilizar este valor. En la pantalla aparecerá **QuEr**.
 - Pulse el botón **No** si no desea utilizar este valor, y salte al paso 6.
5. Si no hay un valor almacenado, aparece **000000** en la pantalla,
6. Para configurar un nuevo valor inferior, pulse **No** varias veces hasta que aparezca el número que desee. Pulse el botón **Yes** para aceptar el número y pasar al siguiente dígito. Repita el proceso hasta que todas las unidades sean correctas. Pulse el botón **Yes** para aceptar el valor. En la pantalla aparecerá **QuEr**.
7. Repita los pasos de 2 a 6 para establecer el valor superior.
8. Si los valores que configura no son válidos, aparecerá **--n0--** en la pantalla y volverá al reinicio.
9. Si los valores que configura son válidos, la pantalla irá a la pantalla de pesaje de verificación.

DT61XWE

1. Pulse el botón **Target** desde el modo Pesaje, Conteo, Porcentaje y Dinámico para establecer los límites de verificación.
2. En la pantalla aparecerá **UNdEr**.
3. Pulse el botón **Yes** para editar el valor inferior.
4. Si hay un valor inferior almacenado de la ocasión anterior, aparecerá en la pantalla.
 - Pulse el botón **Yes** si desea utilizar este valor.
 - Pulse el botón **No** si no desea utilizar este valor o no tiene un valor almacenado. Introduzca el valor que necesita con el teclado numérico. Pulse el botón **Yes** para aceptar el valor inferior.
2. En la pantalla aparecerá **QuEr**.
3. Repita los pasos de 2 a 3 para establecer el valor superior.
4. Si los valores que configura no son válidos, aparecerá **--n0--** en la pantalla y volverá al reinicio.
5. Si los valores que configura son válidos, la pantalla irá a la pantalla de pesaje de verificación.

3.2.3.2 Verificación positiva


La verificación positiva se utiliza para determinar si el material añadido a la báscula está dentro del rango objetivo. En este caso los valores inferior y superior deben ser valores positivos. (El valor superior debe ser mayor que el valor inferior.

Añada material a la plataforma de la báscula hasta que esté dentro del rango aceptable (en verde).

3.2.3.3 Verificación negativa


La verificación negativa se utiliza para determinar si el material retirado de la báscula está dentro del rango objetivo. En este caso los valores inferior y superior deben ser ambos valores negativos.

El valor inferior debe ser mayor que el superior. (Por ejemplo: si el valor inferior es -10; el valor superior debe ser -15).

Coloque el artículo a pesar sobre la balanza y pulse el botón .
Retire una porción del artículo hasta que esté dentro del rango aceptable.

3.2.3.4 Verificación del cero


La verificación del cero se utiliza al comparar muestras posteriores con una muestra de referencia inicial. En este caso, el valor inferior debe ser un valor negativo y el valor superior debe ser un valor positivo.

Coloque el artículo de referencia sobre la balanza y pulse el botón .

Retire el material de la plataforma de la báscula hasta que la pantalla indique está dentro del rango aceptable (verde).

3.2.3.5 Borrar los límites de verificación

Mantenga pulsado el botón **Target**, hasta que la pantalla muestre el valor inferior y el superior.

Pulse el botón **CLR** del indicador i-DT61XWE o el botón  del indicador i-DT61PW, la pantalla mostrará **CLR.CHL**. Pulse el botón **Yes** para borrar el valor inferior y el superior.

3.2.4 Configuraciones de la aplicación

La aplicación se puede personalizar según las preferencias del usuario.

Para acceder a las configuraciones de la aplicación:

1. Mantenga presionado el botón **Menu** hasta que vea **C.A.L.**. Pulse el botón **No** varias veces para navegar hasta que vea **M.O.d.E.** Pulse el botón **Yes** para acceder a las configuraciones del modo de la aplicación.
2. Pulse el botón **No** varias veces para navegar hasta que vea la selección que desea.
3. Pulse el botón **Exit** para seleccionar.
4. Repita los pasos 2 y 3 varias veces hasta que termine con todas las configuraciones.
5. Pulse el botón **Exit** para salir.

A continuación se definen las configuraciones de pesaje (en negrita las predeterminadas).

Elemento	Configuraciones disponibles	Comentarios
Pesaje (LWE IGH)	Encendido , apagado	Para permitir el pesaje

Nota: no puede desactivar el pesaje si está en el modo actual.

3.3 Modo de conteo

Utilice esta aplicación para contar muestras de peso uniforme.

3.3.1 Introducción del modo

Para introducir el modo:


- Mantenga pulsado el botón **Mode** hasta que aparezca **COUNT**.
- Cuando se suelta el botón **Mode** en la pantalla aparece **CLR.PWJ**.
- Si necesita borrar el APW almacenado de la última ocasión, pulse el botón **Yes**. A continuación vaya al paso 5.
Nota: si el peso sobre la bandeja es superior a 1d, aparecerá **CLR.PAN** en la pantalla hasta que el peso se retire de la bandeja.
- Si necesita recuperar el APW almacenado de la última ocasión y seguir usándolo, pulse el botón **No** para empezar el conteo.
Nota: si no se ha configurado un APW anteriormente, se omitirán los pasos 3 y 4.

3.3.2 Establecer un APW

Para establecer un APW:

- Siga el paso 4 anteriormente indicado:
 - DT61PW:**
En la pantalla aparece el tamaño de la muestra **PUE. 10**. Para cambiarlo, pulse el botón **No** varias veces para navegar hasta que vea el valor que desea.
Nota: las selecciones de tamaño de muestra disponibles son 5, 10, 20, 50 y 100 (la predefinida es 10).
 - DT61XWE**
La pantalla parpadea con el tamaño de la muestra actual, por ejemplo 10 uds. Para cambiarlo, introduzca el nuevo tamaño de la muestra con el teclado numérico. No pulse el botón **Yes** hasta que no termine con el siguiente paso.
- Coloque la cantidad de muestras especificada sobre la bandeja y pulse el botón **Yes** para capturar el peso estable actual.

Nota:

- Durante el proceso de captura, aparece en la pantalla - - - - -. (i-DT61PW)
- Puede pulsar el botón  para realizar la tara. Los iconos de centro ce cero, PT o NETO se iluminarán según corresponda.
- Si el APW está entre 0,1 y 1d, aparecerá en la pantalla **LD.rEF** durante 1,5 segundos. A continuación comenzará el conteo.
- Si el APW es inferior a 0,1d, aparecerá en la pantalla **rEF.Err** durante 1,5 segundos y a continuación volverá a mostrar lo que aparece en el paso 1. Sustituya las muestras sobre la bandeja y pulse el botón **Yes** para reestablecer el valor APW.

3.3.3 Iniciar el conteo

- Coloque piezas sobre la bandeja y lea el número. Aparecen el número de piezas y el icono Uds.
- Pulse el botón **Function** para mostrar de forma temporal el APW. **APWJ** aparece durante 0,5 segundos. A continuación, se muestra el valor APW durante 1,5 segundos usando la unidad de medida actual.

Nota: Consulte la sección **Verificaciones** en la sección **Modo de pesaje** para saber cómo usar las Verificaciones en el Modo de conteo.

3.3.4 Configuraciones de la aplicación

La aplicación se puede personalizar según las preferencias del usuario. Consulte la sección **Configuraciones de la aplicación** en el **Modo de pesaje** para conocer más detalles acerca de cómo introducir las configuraciones de la aplicación.

A continuación se definen las Configuraciones de conteo (en negrita las predeterminadas).

Elemento	Configuraciones disponibles	Comentarios
Conteo (COUNT)	Encendido, apagado	Para activar el conteo
Auto Opt. (A.OPT)	Encendido , apagado	Apagado: La función Auto Opt. está apagada. Encendido: El APW se optimizará automáticamente durante el pesaje de conteo.

Nota: no puede desactivar el Conteo si está en el modo actual.

3.4 Modo porcentaje

Utilice esta aplicación para medir el peso de una muestra indicado como un porcentaje de un peso de referencia preestablecido.

3.4.1 Introducción del modo

Para introducir el modo de porcentaje desde cualquier modo de la aplicación:


1. Mantenga pulsado el botón **Mode** hasta que aparezca **PERCENT**.
2. Cuando se suelta el botón **Mode**, en la pantalla aparece **CLr.rEF** y el icono del %.
3. Si necesita borrar el peso de referencia almacenado de la última ocasión, pulse el botón **Yes**. A continuación vaya al paso 5.
Nota: Si el peso capturado es superior o igual a 1d o es inferior o igual a -1d, aparecerá en la pantalla **CLr.PAN** hasta que se retire la muestra de la bandeja.
4. Si necesita recuperar el peso de referencia almacenado de la última ocasión y seguir usándolo, pulse el botón **No** para empezar el pesaje de porcentaje.
Nota: Si no se ha configurado un peso de referencia anteriormente, se omitirán los pasos 3 y 4.
5. La pantalla muestra **PUL.rEF** y el icono del %.

3.4.2 Establecer un peso de referencia

Para establecer un peso de referencia

Siga el paso 5 anteriormente indicado: Cuando vea **PUL.rEF** en la pantalla, coloque la cantidad de muestras especificada sobre la bandeja y pulse el botón **Yes** para capturar el peso estable actual.

Nota:

- Puede pulsar el botón  para realizar la tara. Los iconos de centro ce cero, PT o NETO se iluminarán según corresponda.
- Para el modelo i-DT61PW, durante el proceso de captura, aparece - - - - - en la pantalla.
- Si el peso de referencia es inferior a 100d durante el proceso de captura, la pantalla mostrará **rEF.Err** durante 1,5 segundos, y a continuación volverá a mostrar **PUL.rEF**. Sustituya las muestras sobre la bandeja y pulse el botón **Yes** para reestablecer un peso de referencia.

3.4.3 Iniciar el pesaje por porcentaje

1. Coloque una muestra sobre la bandeja y lea el porcentaje. Aparecen el valor del porcentaje actual y el icono del %.
2. Pulse el botón **Function** para mostrar de forma temporal el peso de referencia. Aparece **rEF.Wgt** durante 0,5 segundos. A continuación, se muestra el peso de referencia durante 1,5 segundos usando la unidad de medida actual.

Nota: Consulte la sección **Verificaciones** en la sección **Modo de pesaje** para saber cómo usar las Verificaciones en el modo de pesaje por porcentaje.

3.4.4 Configuraciones de la aplicación

La aplicación se puede personalizar según las preferencias del usuario. Consulte la sección **Configuraciones de la aplicación** en el **Modo de pesaje** para conocer más detalles acerca de cómo introducir las configuraciones de la aplicación.

A continuación se definen las configuraciones del pesaje por porcentaje (en negrita las predeterminadas).

Elemento	Configuraciones disponibles	Comentarios
Porcentaje (PERCENT)	Encendido , apagado	Para activar el pesaje por porcentaje

Nota: no puede desactivar el Porcentaje si está en el modo actual.

3.5 Modo Dinámico

Utilice esta aplicación para pesar una carga inestable, como un animal en movimiento.

3.5.1 Introducción del modo

Para introducir el modo de pesaje dinámico desde cualquier modo de la aplicación:

1. Mantenga pulsado el botón **Mode** hasta que aparezca **⚡**.
2. En la pantalla aparecerá **⚡READY**.

3.5.2 Iniciar el pesaje dinámico

1. Para empezar:
 - Si el tipo de operación es manual. Coloque la carga (superior o igual a 5d) sobre la bandeja y pulse el botón **Function** para iniciar el proceso de promediación.
 - Si el tipo de operación es semiautomático/automático. Coloque la carga (superior o igual al peso inicial) sobre la bandeja, y el terminal comenzará de forma automática el proceso de promediación.

Nota: La pantalla debe estar a cero valor bruto o neto antes de colocar la carga en la bandeja.

2. Durante el período de promediación, el temporizador de cuenta atrás disminuye en intervalos de un segundo (por ejemplo, el tiempo promedio establecido es de 5 seg.).

Nota: Si el tiempo promedio establecido es de 0 seg, no aparece el temporizador de cuenta atrás.

3. Las lecturas se promedian y permanecen en la pantalla cuando la cuenta atrás ha terminado tanto en el modo de cuenta atrás como en el modo continuo.

Además, para el modelo DT61XWE

- El símbolo de la tilde parpadeará indicando que el peso actual se mantiene en el modo cuenta atrás.
- El símbolo de la tilde parpadeará indicando que el peso actual se está promediando en tiempo real en el modo continuo.

Nota: Si el tiempo medio establecido es 0 seg, el primer peso superior a 5 de se mostrará y se mantendrá.

4. Para restablecer el temporizador de la cuenta atrás:

- Cuando el tipo de operación es manual/semiautomático, pulse el botón **Function** para resetear el temporizador de cuenta atrás si la cuenta atrás está en marcha. En la pantalla aparecerá **⚡READY**, y comenzará a contar de nuevo.
- Cuando el tipo de operación es automático, retire la carga de la bandeja, y el peso medio se seguirá mostrando hasta que termine el tiempo de duración. A continuación, en la pantalla aparecerá **⚡READY**, y comenzará a contar de nuevo.

Nota:

- La pantalla **⚡READY** debe estar a valor bruto o neto cero para resetear el temporizador de la cuenta atrás.
- Consulte la sección **Verificaciones** en la sección **Modo de pesaje** para saber cómo usar las Verificaciones en el modo de pesaje dinámico.

3.5.3 Configuraciones de la aplicación

La aplicación se puede personalizar según las preferencias del usuario. Consulte la sección **Configuraciones de la aplicación** en el **Modo de pesaje** para conocer más detalles acerca de cómo introducir las configuraciones de la aplicación.

A continuación se definen las configuraciones del pesaje dinámico (en negrita las predeterminadas).

Elemento	Configuraciones disponibles	Comentarios
Modo dinámico (⚡)	Cuenta atrás (⏪) / Continuo (CONT)/ Apagado (OFF)	Cuenta atrás: Hay un tiempo de cuenta atrás. Continuo: La promediación continuará después del tiempo de cuenta atrás.
Tipo de operación dinámica (⚡TYPE)	Manual (MAN) / Semiautomático (SEMI)/ Auto (AUTO)	Manual: El proceso de promediación se inicia y se restablece de forma manual Semiautomático: El proceso de promediación se inicia automáticamente y se restablece de forma manual Auto: El proceso de promediación se inicia y se restablece de

		forma automática.
Peso de inicio (5.1JGt)	0 ~ Peso de capacidad	El pesaje dinámico comenzará cuando la carga sea superior al peso de inicio (para los modos semiautomático y automático).
Tiempo de duración (d.t 177E)	1 ~ 10 seg.	Es el tiempo que debe permanecer en la pantalla el resultado del pesaje dinámico después de retirar la carga.
Tiempo promedio (A.t 177E)	0 ~ 30 seg.	Tiempo en segundos. Si el tiempo promedio es 0, el primer peso estable (superior o igual a 5 d) será el resultado.

Nota: no puede desactivar dinámico si está en el modo actual.

3.6 Modo de llenado

Utilice esta aplicación para llenar un contenedor hasta un peso objetivo predeterminado.

Nota: el modo llenado solo está disponible para el modelo i-DT61XWE.

3.6.1 Introducción del modo

Para introducir el modo de llenado desde cualquier modo de la aplicación:

1. Mantenga pulsado el botón **Mode** hasta que aparezca **F LL**.
2. El peso actual aparece en la pantalla.

3.6.2 Iniciar el llenado

1. Cuando la báscula esté en el estado de parada o pausa, pulse el botón **Function** para iniciar el proceso de llenado. Se activará el puerto de salida.
2. Añada peso sobre la bandeja. Cuando se alcance un punto de referencia (SP1/SP2/SP3/SP4), se desactivará el puerto de salida relacionado.
3. Cuando la báscula esté en el estado de inicio o pausa, pulse el botón **Function** para detener el proceso de llenado. Se desactivará el puerto de salida.

3.6.3 Reinicio y pausa del llenado

1. Cuando la báscula esté en el estado pausa, pulse el botón **Target** para reiniciar el proceso de llenado. El puerto de salida se activará o se desactivará de acuerdo con el valor de la carga actual.
2. Cuando la báscula esté en el estado de inicio, pulse el botón **Target** para pausar el proceso de llenado. El puerto de salida se desactivará completamente, y se congelará la pantalla.

3.6.4 Visualización de la Pantalla de la Matriz de Puntos

La Pantalla de la Matriz de Puntos se dividirá en una o cuatro columnas en función de cuántos puntos de referencia (SP) sean válidos. El máximo son cuatro columnas. Por ejemplo, si establece cuatro SP, la pantalla se dividirá en cuatro columnas. Además, en la pantalla aparecerán diferentes colores en función del volumen de carga.

Por ejemplo:

1. Ha establecido cuatro valores válidos SP y SP1 es inferior a SP2, SP2 es inferior a SP3, SP3 es inferior a SP4. A continuación, la pantalla de cuadrícula se dividirá en cuatro columnas.
2. Para comenzar el llenado, si la primera carga es inferior a SP1, la primera columna aparece en naranja, y el resto en rojo.



3. Si continúa llenando la segunda vez, y la carga total es ahora superior o igual a SP1 aunque inferior a SP2, la primera columna aparece en verde, la segunda en naranja, y el resto en rojo.



4. Después, para llenar por tercera vez, si la carga total es ahora superior o igual a SP2 aunque inferior a SP3, las primeras dos columnas aparecen en verde, la tercera en naranja, y el resto en rojo.



5. Para cargar por cuarta vez, si la carga total es ahora superior o igual a SP3 aunque inferior a SP4, las primeras tres columnas aparecen en verde, y la cuarta en naranja.



6. Sin embargo, si la carga total es superior a SP4, las cuatro columnas aparecen en rojo y el instrumento entrará en estado de parada.



3.6.5 Configuraciones de la aplicación

La aplicación se puede personalizar según las preferencias del usuario. Consulte la sección **Configuraciones de la aplicación** en el **Modo de pesaje** para conocer más detalles acerca de cómo introducir las configuraciones de la aplicación.

A continuación se definen las configuraciones de llenado (en negrita las predeterminadas)

Elemento	Configuraciones disponibles	Comentarios
Llenado (F ILL)	Encendido , apagado	Para activar el pesaje por llenado

Nota: no puede desactivar el llenado si está en el modo actual.

4. CONFIGURACIONES DEL MENÚ

El menú de usuario permite personalizar las configuraciones de la balanza.

Nota: Puede haber submenús adicionales si están instaladas las Opciones de Interfaz. Consulte el manual de usuario de la interfaz para información adicional acerca de la configuración.

4.1 Navegación por el menú

4.1.1 Menú de usuario

Para el modelo i-DT61PW

C.A.L	S.E.t.U.P	r.E.A.d	MO.d.E	U.n. it	G.M.P	A.S.2.3.2	P.r. i.N.t	L.o.c.t	E.n.d
ZE-rD	rESEt	rESEt	rESEt	rESEt	rESEt	rESEt	rESEt	rESEt	
SPAN	C.UN it	StAbLE	WEIGH	kg	d.FMTE	bAUD	ASSIGN	L.ALL	
LINE	CAP	ZE-rD	COUNT	g	dAtE	PAR itY	StAbLE	L.OFF	
GEO	GrAd	FILLtEr	ROPEt	lb	t.FMTE	StOP	MOdE	L.ZE-rD	
C.tEst	P.ZE-rD	AZt	PERCt	oz	t.MTE	H.SHARtE	t.MTE	L.Pr int	
End	P.UN it	b.LIGHt	dYNAMM	lb;oz	P. id	ALt.P	C.SUMM	L.UN it	
	A.tArE	S.SAUEr	d.tYPE	End	S. id	ALt.t	tEMPM	L.MOdE	
	ACCUMM	A.OFF	d.t.MTE		End	ALt.2	End	L.MENU	
	t.CNt	P.SAUEr	A.t.MTE			End		L.tArE	
	t.NEMt	End	End					L.tArGE	
	End							End	

Para el modelo i-DT61XWE

C.A.L	S.E.t.U.P	r.E.A.d	MO.d.E	U.n. it	G.M.P	A.S.2.3.2	P.r. i.N.t	I.O.	L.o.c.t	L. lb	U.S.E.r	U.S.b	E.n.d
ZE-rD	rESEt	rESEt	rESEt	rESEt	rESEt	rESEt	rESEt	rESEt	rESEt	NEW	NEW	rESEt	
SPAN	C.UN it	StAbLE	WEIGH	kg	d.FMTE	bAUD	ASSIGN	tYPE	L.ALL	Ed it	Ed it	tYPE	
LINE	rANGE	ZE-rD	PERCt	g	dAtE	PAR itY	StAbLE	INPUT 1	L.OFF	End	End	E.MENU	
GEO	CAP 1	FILLtEr	dYNAMM	lb	t.FMTE	StOP	MOdE	INPUT2	L.ZE-rD			I.MENU	
C.tEst	GrAd 1	AZt	d.tYPE	oz	t.MTE	H.SHARtE	t.MTE	OUT 1	L.Pr int			E.L lb	
End	CAP2	LIGHt	S.Wt	lb;oz	P. id	ALt.P	C.SUMM	OUT2	L.UN it			L.L lb	
	GrAd2	S.SAUEr	d.t.MTE	End	S. id	ALt.t	tEMPM	OUT3	L.FUNC			E.USER	
	P.ZE-rD	A.OFF	A.t.MTE		End	ALt.2	End	OUT4	L.MOdE			I.USER	
	P.UN it	L.tEY	FILL			End		End	L.MENU			LENGtH	
	A.tArE	End	End						L.tArE			S.d IG it	
	ACCUMM								L.tArGE				
	t.bEEP								End				
	t.CLICt												
	bP.S IG												
	L.SIGN												
	Ir.FUNC												
	Ir.RdJ												
	t.CNt												
	t.NEMt												
	P.Wd.EN												
	P.Wd												
	End												

Notas:

Algunos modos/unidades podrían no estar disponibles en todos los modelos.

Cuando está **ENCENDIDA** la opción **LEGAL FOR TRADE** (el interruptor de bloqueo está posición), los ajustes del menú se verán afectados de la siguiente manera:

- El menú calibración (**C.A.L**) no está disponible,

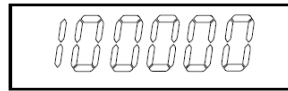
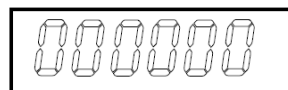
- El ajuste de rango cero está bloqueado al 2 %.
- El ajuste de rango estable está bloqueado a 1d.
- La configuración del rastreo de auto-cero está bloqueada en 0.5d.
- El filtro y las unidades están bloqueados en su configuración actual.
- Solo Estable está bloqueado para estar **Encendido**.
- La opción Impresión automática/Continua está deshabilitada.
- La opción Lb;oz está bloqueada.

4.1.2 Botones de navegación

- El botón **Yes**: permite acceder al menú que aparece en pantalla..
Acepta la configuración que aparece y avanza al siguiente elemento.
- El botón **No**: rechaza el acceso al menú que aparece en pantalla..
Rechaza el menú que se muestra avanza a la siguiente sección.
- El botón **Back**: mueve hacia atrás a través de los menús de nivel superior y medio.
Retrocede de una lista de elementos seleccionables al anterior menú de nivel medio.
- El botón **Exit**: sale del menú directamente al modo de pesaje activo.

Para elementos del menú con configuraciones numéricas como la Capacidad, la configuración actual se muestra con todos los dígitos parpadeando. Para revisar:

1. Pulse el botón **No** para comenzar a editar.
2. El primer dígito aparece parpadeando.
3. Pulse el botón **No** para incrementar el dígito, o pulse el botón **Yes** para aceptar el dígito y avanzar al siguiente.
4. Repita este proceso para todos los dígitos.
5. Pulse el botón **Yes** cuando se haya configurado el último dígito.
6. La nueva configuración se muestra con todos los dígitos parpadeando. Pulse el botón **Yes** para aceptar la configuración, o pulse el botón **No** para seguir editando.
7. Para finalizar con la selección de menú actual, pulse el botón **Yes** para avanzar al siguiente menú, o pulse el botón **No** para volver a la parte superior del menú actual.



Nota: Para el modelo i-DT61XWE, se puede introducir el valor numérico directamente mediante el teclado numérico.

4.2 Menú de calibración

Acceda a este menú para llevar a cabo calibraciones.

4.2.1 Calibración inicial

Cuando se utiliza la báscula por primera vez, se recomienda realizar una calibración de cero y de rango para garantizar unos resultados de pesaje precisos.

Antes de llevar a cabo la calibración, asegúrese de que dispone de los pesos de calibración adecuados, tal y como se indica en la tabla 4-1. Asegúrese de que el bloqueo de calibración/interruptor LFT esté en la posición de desbloqueo.

O ajuste la configuración GEO según su ubicación.

TABLA 4-1

Masa de calibración de rango requerida (se vende por separado)			
Máx.	Masa*	Máx,	Masa*
3000 g	3 kg / 5 lb	30000 g	30 kg / 50 lb
6000 g	6 kg / 10 lb	60000 g	60 kg / 100 lb
15000g	15 kg / 25 lb	150000g	150kg / 250lb

Nota:

- Si la unidad activa es g o kg, la unidad de calibración será el kg.
- Si la unidad activa es lb, oz o lb:oz, la unidad de calibración será la lb
- Para la calibración de linealidad, la masa de calibración es fija. El pinto medio es siempre la mitad de la capacidad completa.

4.2.2 Calibración cero [ZE0]

La calibración cero utiliza un punto de calibración. El punto de calibración cero se establece sin peso sobre la báscula. Utilice este método de calibración para ajustar una carga estática diferente sin afectar al rango o a la calibración de linealidad.

Procedimientos de calibración:

1. Mantenga presionado el botón **Menu** hasta que vea **C.A.L.** Pulse el botón **Yes**.
2. En la pantalla aparecerá **ZE0**. Pulse el botón **Yes**.
3. En la pantalla aparecerán parpadeando **0** kg y la unidad de calibración. Sin peso sobre la bandeja, pulse el botón **Yes** para establecer el punto cero.
4. Aparecerá **--E--** en la pantalla, y después **-DONE-** cuando haya finalizado la calibración cero.

Nota:

Si pasados 40 seg. la calibración cero no ha tenido éxito, aparecerá **CAL E** durante 3 segundos y se restauran los datos de calibración anteriores. La báscula sale al modo de pesaje activo y muestra el valor del peso actual en la unidad de pesaje en curso.

5. Después, en la pantalla aparecerá **SPAN**. Pulse el botón **Exit** para salir.

4.2.3 Calibración de rango [SPAN]

La calibración de rango utiliza un punto de calibración. El punto de calibración se establece con una masa de calibración colocada sobre la báscula.

Nota: La calibración de rango debe realizarse después de la calibración cero.

Procedimientos de calibración

1. Mantenga presionado el botón **Menu** hasta que vea **C.A.L.** Pulse el botón **Yes**.
2. Pulse el botón **No** para navegar hasta que vea **SPAN**. Pulse el botón **Yes**.
3. La pantalla parpadea con el punto de calibración y la unidad de calibración en base a la capacidad y a la unidad establecida en el menú de capacidades. (p.ej. **030.000** kg). Si no necesita cambiar el punto de calibración, salte al paso 5.
4. Para cambiar el punto de calibración:
 - i-DT61PW: pulse el botón **No** varias veces hasta que aparezca el dígito de la unidad que desee. Pulse el botón **Yes** para aceptar el dígito y pasar al siguiente. Repita el proceso hasta que todas las unidades sean correctas. Pulse el botón **Yes** para aceptar el punto de calibración. La pantalla parpadea con el punto de calibración que haya establecido.

- i-DT61XWE: introduzca el punto de calibración usando el teclado numérico. (No pulse el botón **Yes** hasta que no termine con el paso 5.)
5. Coloque una masa de calibración del peso específico sobre la bandeja y pulse el botón **Yes**.
 6. Aparecerá **--[]--** en la pantalla, y después **-DONE-** cuando haya finalizado la calibración.
 7. Después, en la pantalla aparecerá **L #**. Pulse el botón **Exit** para salir.

Nota:

- Si la calibración no es correcta, aparece **CAL E** durante 3 segundos y se restauran los datos de calibración anteriores. La báscula sale al modo de pesaje activo y muestra el valor del peso actual en la unidad de pesaje en curso.
- Si pasados 40 seg. la calibración no ha tenido éxito, aparecerá **CAL E** durante 3 segundos y se restauran los datos de calibración anteriores. La báscula sale al modo de pesaje activo y muestra el valor del peso actual en la unidad de pesaje en curso.

4.2.4 Calibración de la linealidad [L #]

La calibración de la linealidad utiliza 3 puntos de calibración. El punto de calibración completo se establece con un peso sobre la báscula. El punto de calibración medio se establece con un peso igual a la mitad del peso de calibración completo sobre la báscula. El punto de calibración cero se establece sin peso sobre la báscula. El usuario puede alterar los puntos de calibración medio y completo durante el procedimiento de calibración.

Procedimientos de calibración

1. Mantenga presionado el botón **Menu** hasta que vea **C.A.L.** Pulse el botón **Yes**.
2. Pulse el botón **No** varias veces para navegar hasta que vea **L #**. Pulse el botón **Yes**.
3. En la pantalla aparecerán parpadeando **0** kg y la unidad de calibración. Sin peso sobre la bandeja, pulse el botón **Yes** para establecer el punto cero.
4. La pantalla muestra **--[]--**, y a continuación pasa a parpadear con el primer punto de calibración y la unidad de calibración en base a la capacidad y a la unidad establecida en el menú de capacidades. (Por ejemplo, **0 15.000** kg). Si no necesita cambiar el punto de calibración, salte al paso 6.
5. Para cambiar el punto de calibración:
 - i-DT61PW: pulse el botón **No** varias veces hasta que aparezca el dígito de la unidad que desee. Pulse el botón **Yes** para aceptar el dígito y pasar al siguiente. Repita el proceso hasta que todas las unidades sean correctas. Pulse el botón **Yes** para aceptar el punto de calibración. La pantalla parpadea con el punto de calibración que haya establecido.
 - i-DT61XWE: introduzca el punto de calibración usando el teclado numérico. (No pulse el botón **Yes** hasta que no termine con el paso 6).
6. Coloque una masa de calibración del peso específico sobre la bandeja y pulse el botón **Yes**.
7. La pantalla muestra **--[]--**, y a continuación pasa a parpadear con el segundo punto de calibración y la unidad de calibración en base a la capacidad y a la unidad establecida en el menú de capacidades. (Por ejemplo, **030,000** kg).

Nota:

Si pasados 40 seg. la calibración no ha tenido éxito, aparecerá **CAL E** durante 3 segundos y se restauran los datos de calibración anteriores. La báscula sale al modo de pesaje activo y muestra el valor del peso actual en la unidad de pesaje seleccionada.

8. Repita los pasos 5 y 6.
9. Aparecerá **--[]--** en la pantalla, y después **-DONE-** cuando haya finalizado la calibración de linealidad.
10. Después, en la pantalla aparecerá **GEO**. Pulse el botón **Exit** para salir.

4.2.5 Ajuste GEO [GEO]

El Factor de Ajuste Geográfico (GEO) se usa para ajustar la calibración en base a la ubicación actual. Hay disponibles configuraciones de 0 a 31, siendo 12 la predeterminada.

Consulte la sección **Tabla de Geovalores** en el capítulo **Datos Técnicos** para determinar el factor GEO que corresponde con su ubicación.

Para establecer el factor GEO:

1. Mantenga presionado el botón **Menu** hasta que vea **C.A.L.** Pulse el botón **Yes**.
2. Pulse el botón **No** varias veces para navegar hasta que vea **GEO**. Pulse el botón **Yes**.
3. La pantalla parpadea con el punto GEO (Por ejemplo, **12**).

4. Pulse el botón **No** varias veces hasta que aparezca el número GEO que desee. Pulse el botón **Yes** para terminar las configuraciones.
5. Después, en la pantalla aparecerá **C.tESt**. Pulse el botón **Exit** para salir.

4.2.6 Prueba de calibración [C.tESt]

Procedimientos de la prueba de calibración:

1. Mantenga presionado el botón **Menu** hasta que vea **C.A.L.** Pulse el botón **Yes**.
2. Pulse el botón **No** varias veces para navegar hasta que vea **C.tESt**. Pulse el botón **Yes**.
3. La pantalla parpadea con **0** y la unidad de calibración en base a la capacidad y a la unidad establecida en el menú de capacidades. Sin peso sobre la bandeja, pulse el botón **Yes** para establecer el punto cero.
4. La pantalla muestra **--t--** mientras se graba el punto cero.
5. La pantalla parpadea con el peso de calibración y la unidad de la última ocasión. (Por ejemplo, **0 15.000** kg).
6. Para cambiar el peso de calibración de la prueba:
 - i-DT61PW: pulse el botón **No** varias veces hasta que aparezca el dígito de la unidad que desee. Pulse el botón **Yes** para aceptar el dígito y pasar al siguiente. Repita el proceso hasta que todas las unidades sean correctas. Pulse el botón **Yes** para aceptar el punto de calibración.
 - i-DT61XWE: pulse las teclas numéricas para editar el peso. (No pulse el botón **Yes** hasta que no termine con el paso 7).
7. Coloque el peso específico de la prueba sobre la bandeja y pulse el botón **Yes**.
8. La pantalla parpadea con la diferencia entre los datos de calibración y el peso de la prueba. (Por ejemplo, **0.0 10** kg). Si el terminal está conectado a una impresora o a otros dispositivos, se imprimirá el resultado de la prueba de calibración.
9. Después de 5 segundos, la prueba finaliza y la báscula vuelve al modo de pesaje activo con la pantalla para el peso actual.

4.2.7 Fin de Cal. [End]

Cuando aparezca **End**, pulse el botón **Yes** para salir de este menú y avance al siguiente submenú o pulse el botón **No** para avanzar al primer elemento del menú en el submenú.

4.3 Menú de configuración

Acceda a este menú **5.E.E.U.P** para establecer los parámetros de la balanza. En **negrita** aparecen las configuraciones predeterminadas.

Para el modelo i-DT61PW

Menu	Submenú	Submenú(en segmento)	Opciones:	Opciones (en segmento)
Configuración 5.E.E.U.P	Reiniciar	rESEt	no, sí	NO, YES
	Unidad de capacidad	C.UNIt	kg , lb, t, g	/
	Capacidad	CRP	1-999999	/
	Graduación	GrAd	0,0001~100	/
	Encender cero	P.ZErO	Apagado, encendido	OFF, ON
	Encender unidad	P.UNIt	Auto , g, kg, lb, oz, lb:oz, t	AUTO
	Autotara	A.tArE	Apagado , encendido, aceptar	OFF, ON, ACCEPT
	Acumulación	ACCUM	Apagado , auto, manual, aceptar	OFF, MAN, AUTO, ACCEPT
	Contador de transacción	t.Cnt	Apagado, encendido	OFF, ON
	Siguiente transacción	t.NEXT	1-999999	/
End	End	\	/	

Para el modelo i-DT61XWE

Menu	Submenú	Submenú(en segmento)	Opciones	Opciones (en segmento)
Configuración 5.E.E.U.P	Reiniciar	rESEt	no, sí	NO, YES
	Unidad de capacidad	C.UNIt	kg , lb	/
	Rango	r.RNGE	Único , doble	SINGLE, DUAL
	> 1 < Capacidad	CRP1	1-999999	/
	> 1 < Graduación	GrAd1	0,0001~100	/
	> 2 < Capacidad [Rango=Doble]	CRP2	1-999999	/
	> 2 < Graduación [Rango=Doble]	GrAd2	0,0001~100	/
	Encender cero	P.ZErO	Apagado, encendido	OFF, ON
	Encender unidad	P.UNIt	Auto , g, kg, lb, oz, lb: oz	AUTO
	Autotara	A.tArE	Apagado , encendido, aceptar	OFF, ON, ACCEPT
	Acumulación	ACCUM	Apagado , auto, manual, aceptar	OFF, MAN, AUTO, ACCEPT
	Aviso sonoro de tecla	t.BEEP	Apagado, encendido	OFF, ON
	Tipo de clic de tecla	t.CLICt	único, doble	SINGLE, DOUBLE
	Señal de aviso sonoro de verificación	bP.SIG	apagado, inferior, superior, aceptar, inferior-superior	OFF, UNDER, OVER, ACCEPT, UN-OV
	Señal luminosa de verificación	L.SIGN	bloqueo , barra, segmento	BLOCK, BAR, SEGMENT
	Func. IR	Ir.FUNC	Disp , cero, tara, imprimir	DISP, ZErO, tArE, PrInT
	Ajustar IR	Ir.AdJ	APAGADO, BAJO, ALTO	OFF, LOW, HI
	Contador de transacción	t.Cnt	Apagado, encendido	OFF, ON
	Siguiente transacción	t.NEXT	1-999999	/
	ActivarContraseña	P.Wd.EN	Apagado , encendido	OFF, ON
Fin	End	\	/	

Reiniciar [rESEt]

Reinicia el menú de configuración a los valores predeterminados de fábrica

no = no resetear

YEs = resetear

Unidad de capacidad [C.UN t]

Seleccione la unidad usada para la calibración.

t (Tonelada métrica)

g

kg

lb

Nota: t y g no están disponibles para el modelo i-DT61XWE

Rango [rRNGE]

Nota: Esta configuración solo está disponible para el modelo i-DT61XWE.

Establezca el número de los intervalos de pesaje.

Estos terminales se pueden configurar para usar intervalos simples o dobles. Se puede asignar a cada intervalo su propia graduación. Si se selecciona el intervalo doble, la graduación cambiará cuando el peso alcance el segundo intervalo.

Si se selecciona el intervalo **simple**, los parámetros adicionales son:

>|1|< Capacidad

>|1|< Graduación

Si se selecciona el intervalo **doble**, el terminal funciona con dos intervalos, cada uno con su propia capacidad y graduación. Además de los parámetros de capacidad y graduación del Intervalo 1, están disponibles los siguientes dos parámetros:

>|2|< Capacidad

>|2|< Graduación

Capacidad [CAP] / Capacidad1 [CAP 1]

Establezca la capacidad de la balanza o la capacidad de la primera balanza (para el modelo i-DT61XWE)
1... 999999

Grad [GrAd] / Grad1 [GrAd 1]

Establezca la legibilidad de la balanza o la legibilidad de la primera balanza para el modelo i-DT61XWE de
0,0001 a 100.

0,0001~100

Capacidad2 [CAP2]

Establezca la capacidad de la segunda báscula para el modelo i-DT61XWE.

Grad2 [GrAd2]

Establezca la legibilidad de la segunda báscula para el modelo i-DT61XWE.

Cero de encendido [P.ZEr0]

Establece la balanza a cero con el encendido.

OFF = desactivado

ON = activado

Unidad de encendido [P.UN t]

Establece la unidad que se mostrará con el encendido-

Auto = última unidad en uso al encender

kg = kilogramos

g = gramos

lb = libras

oz = onzas

lb:oz = onzas libras

t = tonelada métrica (solo disponible para el modelo i-DT61PW)

Autotara [A.tArE]

Establece la funcionalidad de la tara automática.

OFF = la tara automática está desactivada.

ON = se tara el primer peso bruto estable.

ACCEPT = se taran los pesos brutos estables dentro de los límites aceptable (en el modo verificación)

Acumulación [ACCUM]

Establece la funcionalidad de acumulación.

OFF = la acumulación está desactivada.

AUTO = se realiza la acumulación automáticamente.

MAN = se realiza la acumulación manualmente.

ACCEPT = se realiza la acumulación cuando los pesos están dentro de los límites aceptables (en el modo verificación).

Nota: Para más detalles acerca de la acumulación, consulte **Acumulación y estadísticas** en la sección **Modo de pesaje**.

Contador de transacciones [t.CNt]

El contador de transacciones es un contador de siete dígitos que realiza un seguimiento de las transacciones totales. Cuando el valor alcanza 9 999 999, la siguiente transacción provoca un reinicio a 000001.

OFF = el contador de transacciones no aumentará.

ON = el contador de transacciones aumentará con el elemento de menú adicional Siguiente transacción disponible.

Nota: Si el contador de transacciones está configurado para estar ENCENDIDO, el número del conteo aumentará cuando se pulse el botón **Print**.

Contador de la siguiente transacción [t.NEXT]

Establezca el valor de las pantallas de la siguiente transacción en el campo Siguiente transacción. 1~999999

Aviso sonoro de tecla [t.bEEP]

Establezca si activar o no el aviso sonoro cuando se pulsa un botón.

OFF = sin sonido

ON = sonido

Nota: Esta configuración solo está disponible para el modelo i-DT61XWE.

Tipo de clic de tecla [t.CL tCt]

SINGLE = un solo clic sobre el botón ejecuta la operación.

DOUBLE = doble clic sobre el botón ejecuta la operación

Nota: Esta configuración solo está disponible para el modelo i-DT61XWE.

Señal del aviso sonoro [bP.S tG]

Configura la condición para el aviso sonoro en el modo de pesaje de verificación.

OFF = el aviso sonoro está desactivado.

Under = el aviso sonoro está activado cuando el peso está por debajo del valor inferior que haya establecido.

Over = el aviso sonoro está activado cuando el peso está por encima del valor superior que haya establecido.

ACCEPT = el aviso sonoro está activado cuando el peso está dentro del rango aceptable que haya establecido.

Under-Over = el aviso sonoro está activado cuando el peso está por debajo del valor inferior o por encima del valor superior que haya establecido.

Nota: Esta configuración solo está disponible para el modelo i-DT61XWE.

Señal de luz de verificación [L.S.IGN]

Configura el aspecto de la pantalla en el modo verificación para los pesos superior, inferior y aceptable.

BLCK = la luz se muestra como un bloque.

BAR = la luz se muestra como una barra.


SEGMENT = la luz se muestra como un segmento.

Nota: Esta configuración solo está disponible para el modelo i-DT61XWE.

Función IR [Ir.FUNC]

Defina el funcionamiento del sensor de radiación por infrarrojos.

ZERO = la balanza realiza el funcionamiento a cero, igual a presionar el botón **Zero**.

TARE = la balanza realiza la operación de tara; igual a presionar el botón .

PRINT = la balanza realiza la operación imprimir, igual a presionar el botón **Print**.

DISPLAY = enciende la luz de fondo.

Agite su mano frente al icono  en el panel de control para realizar la operación que haya configurado.

Nota: Esta configuración solo está disponible para el modelo i-DT61XWE.

Ajuste IR [Ir.Adj]

Defina la distancia de respuesta del sensor de radiación por infrarrojos.

OFF = el sensor IR está desactivado.

50 = el sensor responderá dentro de 50 mm/2 pulgadas.

100 = el sensor responderá dentro de 100 mm/4 pulgadas.

Nota: Esta configuración solo está disponible para el modelo i-DT61XWE.

Activar contraseña [Pwd.En]

Defina si necesita una contraseña para acceder al menú. Si está encendida, tendrá que introducir la contraseña cada vez que acceda al menú.

OFF = para desactivar la función de Contraseña.

ON = para activar la función de Contraseña.

Contraseña [Pwd]

Este submenú solo aparecerá cuando se haya seleccionado que esté encendida la opción Activar contraseña.

La pantalla parpadea con **—**, introduzca la nueva contraseña a través del teclado numérico. Pulse el botón **CLR** para cambiar los datos que haya introducido. Pulse el botón **Yes** cuando haya terminado.

Finalizar configuración [End]

Avance al siguiente menú o vuelva a la parte superior del menú actual.

4.4 Menú de lectura

Acceda a este menú para establecer las preferencias del usuario. En **negrita** aparecen las configuraciones predeterminadas.

Menú	Submenú	Submenú(en segmento)	Opciones	Opciones (en segmento)
Lectura (r.E.R.d)	Reiniciar	rESEEt	no, sí	NO , YES
	Estabilidad	StAbLE	0,5 d, 1 d , 2 d, 5 d	0.5d , 1d, 2d, 5d
	Rango cero	ZEr0	2 % 100 %	2 , 100
	Nivel de filtro	F ILtEr	Bajo, medio , alto	LOLW NOEd , H IGH
	Seguir auto cero	AZt	Apagado, 0,5 d , 1 d, 3 d	OFF , 0.5d, 1d, 3d
	Nivel de brillo (i-DT61XWE)	L IGHt	Bajo, medio , alto	NOEd , H IGH, LOLW
	Luz de fondo (i-DT61PW)	b.L IGHt	Apagada , encendida, Auto	OFF , ON, AUTO
	Pantalla	S.SRUEr	Apagada, 1 min, 2 min, 5 min (i-DT61PW) Apagada, 5 min, 10 min, 30 min (i-DT61XW)	OFF , 1, 2, 5 (i-DT61PW) OFF , 5, 10, 30 (i-DT61XW)
	Auto apagado	A.OFF	Apagado , 5 min, 10 min, 30 min	OFF , 5, 10, 30
	P.GUARDAR (i-DT61PW)	P.SRUEr	ENCENDIDO , APAGADO	ON , OFF
	L.TECLA (i-DT61XWE)	L.TEy	Apagado , 0,5 min, 1 min, 2 min, 5 min	OFF , 0.5, 1, 2, 5
	Fin	End	\	

Reiniciar [rESEEt]

Reinicia el menú de lectura a los valores predefinidos de fábrica.

NO = no restear.

YES = resetear

Estabilidad [StAbLE]

Establezca la cantidad en la que puede variar la lectura antes de que se encienda el símbolo de estabilidad.

0.5d = 0,5 división de la balanza

1d = 1 división de la balanza

2d = 2 divisiones de la balanza

5d = 5 divisiones de la balanza

Cero [ZEr0]

Establezca el porcentaje de la capacidad de la báscula que se puede configurar a cero.

2 % = el rango cero es +/-2 %

100 % = el rango cero +/-100 %

Filtro [F ILtEr]

Establezca la cantidad de filtrado de la señal.

LOLW = tiempo de estabilización más rápida con menos estabilidad.

NOEd = tiempo de estabilización normal con estabilidad normal.

H IGH = tiempo de estabilización más lento con más estabilidad.

AZT [AZt]

Establezca la funcionalidad de seguimiento automático de cero (AZT).

OFF = desactivado

- 0.5d** = la pantalla mantendrá el cero hasta que se haya superado un cambio de 0,5 divisiones por segundo.
- 1d** = la pantalla mantendrá el cero hasta que se haya superado un cambio de 1 división por segundo.
- 3d** = la pantalla mantendrá el cero hasta que se haya superado un cambio de 3 divisiones por segundo.

Nivel de brillo [L IGHE]

Establezca el nivel de brillo de la pantalla.

- L0L0** = el nivel de brillo es bajo
- 07E0** = el nivel de brillo es medio
- H 00H** = el nivel de brillo es alto

Nota: Esta configuración solo está disponible para el modelo i-DT61XWE.

Luz de fondo [b.L IGHE]

Establezca la funcionalidad de luz de fondo de la pantalla.

- OFF** = la luz de fondo está desactivada.
- 00** = la luz de fondo está activada.
- 0000** = la luz de fondo se desactiva después de 5 segundos de inactividad.

Nota: Esta configuración solo está disponible para el modelo i-DT61PW.

Pantalla [SC-EE0]

Establece si se activa el salvapantallas después de un periodo de tiempo seleccionado.

Para el modelo i-DT61PW:

- OFF** = salvapantallas desactivado.
- 1** = el salvapantallas se activa después de 1 minuto de inactividad.
- 2** = el salvapantallas se activa después de 2 minutos de inactividad.
- 5** = el salvapantallas se activa después de 5 minutos de inactividad.

Para el modelo i-DT61XWE:

- OFF** = la luz de fondo está desactivada
- 5** = el salvapantallas se activa después de 5 minutos de inactividad.
- 10** = el salvapantallas se activa después de 10 minutos de inactividad.
- 30** = el salvapantallas se activa después de 30 minutos de inactividad.

Tecla de bloqueo [L-EEY]

Bloquea todas las teclas después del periodo de tiempo seleccionado.

- OFF** = desactivado
- 0.5** = las teclas se bloquean después de 30 segundos de inactividad.
- 1** = las teclas se bloquean después de 1 segundo de inactividad.
- 2** = las teclas se bloquean después de 2 segundos de inactividad.
- 5** = las teclas se bloquean después de 5 segundos de inactividad.

Apagado automático [A.OFF]

Configura si la pantalla entra en modo descanso después del periodo de tiempo seleccionado.

- OFF** = desactivado
- 5** = la pantalla entra en modo descanso después de 5 minutos de inactividad.
- 10** = la pantalla entra en modo descanso después de 10 minutos de inactividad.
- 30** = la pantalla entra en modo descanso después de 30 minutos de inactividad.

AHORRO DE E. [P.SALEA]

Configura si se activa el modo de ahorro de energía después de que la báscula pase a modo de espera.

- 00** = ahorro de energía activado.
- OFF** = ahorro de energía desactivado.

Nota: esta configuración solo está disponible para el modelo i-DT61PW.

Fin de lectura [End]

Avance al siguiente menú o vuelva a la parte superior del menú actual.

4.5 Menú de unidades

Acceda al menú **U.N. 1.E** para activar las unidades que desee.

Reiniciar
 Gramo (g)
 Kilogramo (kg)
 Libra (lb)
 Onza (oz)
 Libra:onza (lb:oz)
 Tonelada (t) (solo disponible para el modelo i-DT61PW)
 Fin

Nota:

- Debido a las leyes nacionales, el indicador podría no incluir alguna de las unidades indicadas anteriormente.
- Si está encendido el interruptor de seguridad, las unidades y su configuración actual estarán bloqueadas.
- Las unidades disponibles pueden variar en función del modelo y de las regulaciones locales.

4.6 Menú GLP/GMP

Acceda a este menú para configurar los datos de las Buenas Prácticas de Laboratorio (GLP) y de las Buenas Prácticas de Fabricación (GMP).

Reiniciar [rESEt]

Si está seleccionada y confirmada la opción Reiniciar, todos los valores del submenú pasarán a ser los predefinidos

Formato de fecha [d.FYt]

Configurar el formato de la fecha.

MDA [YdY] = Mes.Día.Año

DMA [dY] = Día.Mes.Año

AMD [Yd] = Año.Mes.Día

Fecha [dAtE]

Configure la fecha de acuerdo con el formato de fecha previo que haya establecido.

Por ejemplo, si ha establecido AMD (Año, mes, día) para el formato de fecha, y los datos que va a introducir son 2020/4/17:

Establezca la fecha como: 20.04.17 (Año, mes, día)

Formato de hora [t.FYt]

Configure el formato de hora.

24 hr = formato de 24 horas.

12 hr = formato de 12 horas.

Hora [t.YE]

Configure la hora.

Formato de 24 horas

00 a 23 = posición hora

00 a 59 = posición minuto

Formato de 12 horas:

00 a 12 = posición hora
 00 a 59 = posición minuto

Para saber cómo introducir la cifra de la hora, consulte la siguiente sección de ID del proyecto para más detalles.

Nota: para el modelo i-DT61XWE, no puede utilizar el teclado numérico para introducir la hora.

ID del proyecto [P. Id]

Configure el número de identificación del proyecto:

Para configurar el número, pulse **No** varias veces hasta que aparezca el número que desee. Pulse el botón **Yes** para aceptar el número y pasar al siguiente dígito. Repita el proceso hasta que todas las unidades sean correctas. Pulse el botón **Yes** para aceptar el valor.

Para el modelo i-DT61XWE, puede introducir en el ID del proyecto usando el teclado numérico.

ID de la balanza [5. Id]

Configure el de identificación del proyecto.

Consulte la sección **ID del proyecto** para saber más acerca de cómo configurar el número.

Para el modelo i-DT61XWE, puede introducir el ID de la báscula usando el teclado numérico.

Fin [End]

Avance al siguiente menú o vuelva a la parte superior del menú actual.

4.7 Comunicación

Acceda a este menú para definir los métodos de comunicación externa y para configurar los parámetros de impresión.

Los datos se pueden exportar a una impresora o aun PC.

Las configuración de fábrica predeterminadas aparecen en negrita.

4.7.1 Menú RS232

Acceda a este menú para definir los parámetros de comunicación.

Nota: el 2º RS232 solo está disponible para el modelo i-DT61XWE.

Menú	Submenú	Submenú(en segmento)	Opciones	Opciones (en segmento)
RS232 (r.5.2.3.2) / 2º PUERTO EN SERIE (2.5.E.r. 1.A)	Ratio de baudios	bAUD	300, 600, 1200, 2400, 4800, 9600 , 19200,38400, 57600	/
	Paridad	PARITY	7 par, 7 impar, 7 ninguna, 8 ninguna	7 EVEN, 7 Odd, 7 NONE, 8 NONE
	Bit de parada	STOP	1 bit , 2 bits	/
	Conexión tipo "handshake"	HSHAKE	Ninguna , Xon/Xoff	NONE , ONOFF
	Alt Imprimir CMD	ALT.P	'A' ~ 'Z', P	/
	Alt Tara CMD	ALT.T	'A' ~ 'Z', T	/
	Alt Cero CMD	ALT.Z	'A' ~ 'Z', Z	/
	Reiniciar	rESEt	\	/
	Fin	End	\	/

Resetear [rESEt]

Resetea el menú del RS232 a los valores de fábrica.

NO = no restear.

YES = resetear

Ratio de baudios [BAUD]

Configure el ratio de baudios (bits por segundo)

300	= 300 bps
600	= 600 bps
1200	= 1200 bps
2400	= 2400 bps
4800	= 4800 bps
9600	= 9600 bps
19200	= 19200 bps
38400	= 38400 bps
57600	= 57600 bps

Paridad [PARITY]

Establezca los bits de datos y la paridad.

7 EVEN	= 7 bits de datos, paridad par
7 ODD	= 7 bits de datos, paridad impar
7 NONE	= 7 bits de datos, sin paridad
8 NONE	= 8 bits de datos, sin paridad

Bit de parada [STOP]

Configure el número de bits de parada.

1	= 1 bit de parada
2	= 2 bits de parada

Conexión tipo "Handshake" [HANDSHAKE]

Configure el método de control del flujo. La conexión por "handshaking" del hardware solo está disponible para el menú COM1.

NONE	= sin handshaking
ONOFF	= handshaking del software tipo XON/XOFF

Comando de impresión alternativo [ALT.P]

Establezca el carácter de comando alternativo para imprimir.

Hay disponibles configuraciones de la A (a) a la Z (z). La configuración por defecto es **P**.

Comando alternativo de tara [ALT.T]

Seleccione el carácter de comando alternativo para realizar la tara.

Hay disponibles configuraciones de la A (a) a la Z (z) La configuración por defecto es **T**.

Comando alternativo para el cero [ALT.Z]

Establezca el carácter de comando alternativo para el Cero.

Hay disponibles configuraciones de la A (a) a la Z (z). La configuración por defecto es **Z**.

Fin [End]

Avance al siguiente menú o vuelva a la parte superior del menú actual.

4.7.2 Menú imprimir

Acceda a este menú para configurar los parámetros de impresión. En **negrita** aparecen las configuraciones predeterminadas.

Menu	Submenú	Submenú(en segmento)	Opciones	Opciones (en segmento)
Imprimir (P.r. 1.0.1.1)/ 2ª impresión (P.r. 1.0.1.2)	Asignaciones	ASS ION	Solicitud , estable encendido automático, aceptar encendido automático, intervalo (segundos), MT-Continuo, OH-Continuo, SICS	DEFION , ON.5tAb, ON.ACCEP, INtEr, PnE.COñ, OH.COñ, S ICS
	Solo peso estable [Solicitud]	5tAbLE	Apagado , Encendido (Fuerza LFT encendida)	OFF , ON
	Mode [Estable encendido automático]	PnE	Carga , carga y cero	LOAD , LOAD:2r
	Hora [Intervalo (segundos)]	t INtEr	1~50000	/
	Checksum [MT-Continuo]	CSUM	Encendido, Apagado	ON, OFF
	Plantilla	EPnP	Simple , Personalizado 1, Personalizado 2, Personalizado 3, Personalizado 4, Personalizado 5	S INtEr , CUSÉ 1, CUSÉ2, CUSÉ3, CUSÉ4, CUSÉ5
	Reiniciar	rESEt	\	/
	Fin	End	\	/

Reiniciar [rESEt]

Reinicie el menú de impresión a los valores predeterminados de fábrica.

NO = no restear.

YES = resetear

Asignación [ASS ION]

Solicitud [DEFION]

Si está solicitada la opción **Solicitud**, aparecerá el menú **Estable Solo**.

Configure los criterios de impresión.

OFF = los valores se imprimen inmediatamente, independientemente de la estabilidad.

ON = solo se imprimen los valores cuando se cumplen los valores de estabilidad.

Estable encendido automático [ON.5tAb]

Si está seleccionada la opción **Estable auto encendido**, aparecerá el submenú **Modo**.

Configure el modo de impresión.

LOAD = imprime cuando la carga que se muestra es estable.

LOAD:2r = imprime cuando la lectura de carga y cero son estables.

Aceptar encendido automático [ON.ACCEP]

Si está seleccionada la opción **Aceptar encendido automático** y el modo de pesaje es **Verificación**, se imprimirán los valores cuando el peso se acepte.

ON.ACCEP = la impresión tiene lugar cada vez que la pantalla está dentro del rango aceptable y se alcanzan los criterios de estabilidad.

Intervalo [INtEr]

Si está seleccionada la opción **Intervalo**, aparecerá el submenú **Hora**.

INtEr = la impresión tiene lugar en el intervalo de tiempo definido.

El intervalo de tiempo se puede configurar usando el teclado numérico.
Hay disponibles configuraciones de la 1 a la 50000 Segundos. El valor por defecto es 1.
La impresión tiene lugar en el intervalo de tiempo definido.

MT-Continuo [ገደርገገ]

Si está seleccionada la opción **MT-Continuo**, la salida de impresión estará en formato **MT-Continuo**.

ገገደርገገ = la impresión tiene lugar de forma continua.

Nota: Consulte el Apéndice A para el formato **MT-Continuo**.

ር.ሀገገ

Apagado = desactivado

Encendido = activado

OH-Continuo [ፀዘርገገ]

Si está seleccionada la opción **OH-Continuo**, la salida de impresión estará en formato **OH-Continuo**.

Nota: Consulte el Apéndice a para el formato **OH-Continuo**.

ፀዘርገገ = la impresión tiene lugar de forma continua.

SICS [5 ሲር]

ፀፈፈ = desactiva el comando MT-SICS

ፀገ = activa el comando MT-SICS

Nota: Consulte el Apéndice B para los comandos **SICS**.

Finalizar impresión [ፎገገ]

Avance al siguiente menú o vuelva a la parte superior del menú actual.

Plantilla [ፎፎገገ]

Este submenú se utiliza para definir el formato de la salida de datos a una impresora o a un ordenador.

5 ገገገገ = solo imprime el resultado y la unidad.

ርሀሀፎ 1 = formato de impresión personalizado.

ርሀሀፎ 2 = formato de impresión personalizado.

ርሀሀፎ 3 = formato de impresión personalizado.

ርሀሀፎ 4 = formato de impresión personalizado.

ርሀሀፎ 5 = formato de impresión personalizado.

Ejemplo de plantilla de impresión:

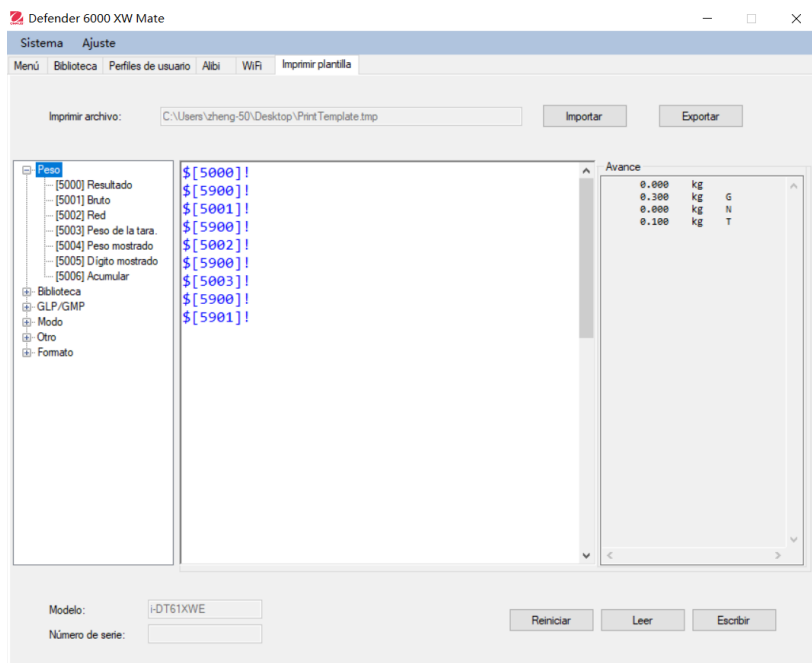
0,000 kg

0,300 kg G

0,000 kg N

0,100 kg T

Para personalizar la plantilla de impresión, debe ir al software ScaleMate, seleccionar **Plantilla de impresión** en la barra superior y, a continuación, hacer doble clic en los elementos de la columna izquierda para seleccionar los que desea incluir en la plantilla de impresión.



Como alternativa, también puede introducir los elementos en la columna central directamente para personalizarla, usando el formato `$$[XXXX]!`. XXXX se refiere al número de índice de cada artículo a imprimir; revise la siguiente tabla para consultar el número de índice de cada artículo.

Número de índice	Elementos de impresión
5000	Resultado
5001	Bruto
5002	Neto
5003	Tare
5004	Peso mostrado
5005	Dígito mostrado
5006	Acumulado
5100	ID
5101	PN
5102	Núm. bibl.
5200	Fecha
5201	Hora
5202	ID del proyecto
5203	ID de la balanza
5204	ID del usuario
5205	ID de la transacción
5300	Mode
5301	Información
5302	Target
5400	ID de Alibi
5401	Estado de entrada
5402	Estado de salida
5403	SN
5900	NuevaLínea
5901	Fin

Nota: Para otras funciones de ScaleMate, póngase en contacto con un distribuidor autorizado para obtener las instrucciones del software.

4.7.3 Configuración de RS485

Consulte la configuración de RS485 en el *Manual de instrucciones de la interfaz del Defender® 6000 RS232/RS485/USB*.

4.7.4 Configuración de Ethernet

Consulte la configuración en el *Manual de instrucciones de la interfaz de Ethernet del Defender® 6000*.

4.7.5 Configuración analógica

Consulte la configuración analógica en el *Manual de instrucciones del kit analógico del USB del Defender® 6000*.

4.8 Memoria

La memoria del menú es diferente para el i-DT61PW y el i-DT61XWE. Compruebe los detalles en la siguientes secciones.

4.8.1 Memoria del menú (para el modelo i-DT61PW)

Estado [StAtUs]

Para activar o desactivar la función de memoria.

OFF = para desactivar la función de memoria.

ON = para activar la función de memoria. Pulse el botón **Imprimir** para guardar los datos del pesaje.

Exportar [Export]

Para exportar los datos de pesaje.

NO = la función exportar datos de pesaje está desactivada.

YES = la función exportar datos de pesaje está activada.

Borrar [Delete]

Para borrar los datos de pesaje.

NO = para no borrar los datos de pesaje

YES = para borrar los datos de pesaje

4.8.2 Memoria USB (para el modelo i-DT61XWE)

La memoria USB se utiliza para almacenar las lecturas de peso para futuras consultas. Al conectar una memoria USB a la balanza, las lecturas de peso ya se pueden almacenar directamente en la memoria USB.

Nota: este menú solo es visible después de detectarse una memoria USB.

Los datos se almacenaran en la memoria externa en la siguiente ubicación:

SYSTEM\DATA

Se creará un nuevo archivo todos los meses (un archivo .txt almacena todos los datos de salida de un mes...). El nombre del archivo .txt será el año más mes.TXT. Por ejemplo, el nombre del archivo .txt paa 2020.6 será **202006.TXT**.

Para activar la memoria USB:

1. Después de insertar una memoria USB, mantenga presionado el botón **Menu** hasta que vea **C.A.L.**
2. Pulse el botón **No** varias veces para navegar hasta que vea **On.Off.** Pulse el botón **Yes**.
3. Pulse el botón **No** para navegar hasta que vea **USB**. Pulse el botón **Yes**.
4. La pantalla parpadea con **ON**. Pulse el botón **Yes** para activar.
5. Aparece el enlace de submenú para (**L Off**) Pulse el botón **Yes** para activar.
6. A continuación, aparece el submenú con selecciones para RS232 (**r5232**), 2ª serie (**2.5Er IA**) y Ethernet (**EeHNeE**). Elija la que desee y pulse el botón **Yes**.
7. En la pantalla aparece **End**. Pulse el botón **Yes**. En la pantalla aparece el siguiente menú. Pulse el botón **Exit** para salir.

4.8.3 Memoria Alibi (para el modelo i-DT61XWE)

Nota: Este menú solo es visible si se ha instalado la opción de hardware de memoria Alibi. Consulte las instrucciones de instalación a continuación.

La memoria Alibi se utiliza para almacenar el historial de pesajes para consultas. Cada registro Alibi contiene los siguientes elementos:

- ID
- Peso bruto/neto, peso de tara y unidad de pesaje
- Fecha y Hora

Para comprobar los registros Alibi, necesita instalar el software ScaleMate. Póngase en contacto con un distribuidor autorizado para obtener el software

El número de registros máximo es 262112.

Cuando la memoria está llena y se guarda otro registro, se borrará automáticamente el primero. En ese momento aparecerá un mensaje de aviso, solicitando la confirmación del usuario.

4.8.3.1 Activar Alibi:

Para activar:

1. Después de instalar el hardware, mantenga pulsado el botón **Menu** hasta que vea **C.R.L.**
2. Pulse el botón **No** varias veces para navegar hasta que vea **000.000.0**. Pulse el botón **Yes**.
3. Pulse el botón **No** para navegar hasta que vea **Alibi**. Pulse el botón **Yes**.
4. La pantalla parpadea con **00**. Pulse el botón **Yes** para activar Alibi.
5. En la pantalla aparece **End**. Pulse el botón **Yes**. La pantalla muestra el siguiente menú **L. I.b**. Pulse el botón **Exit** para salir.

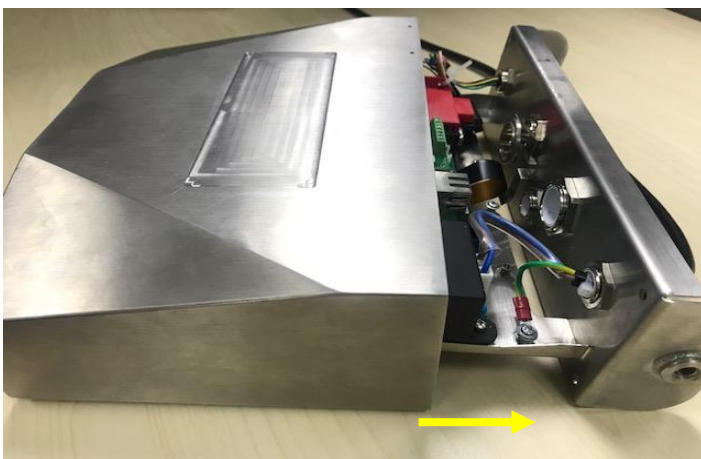
4.8.3.2 Instalación de Alibi

Para instalar:

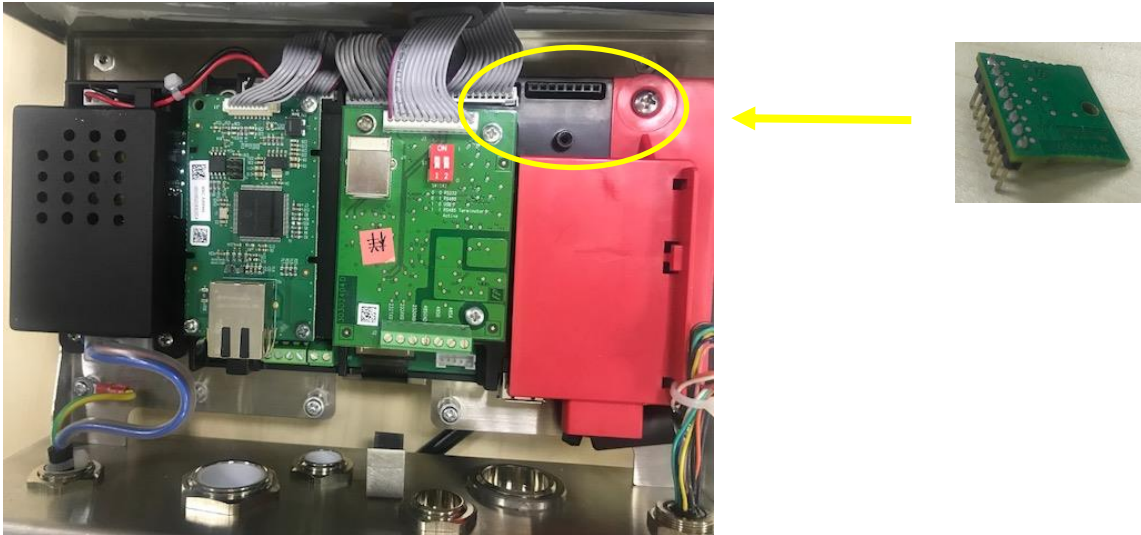
1. Apague y desenchufe el terminal. Desconecte el terminal de una bandeja de pesaje, en caso de estar conectado a una.
2. Coloque el terminal boca abajo, y desenrosque los tornillos marcados en el siguiente gráfico.



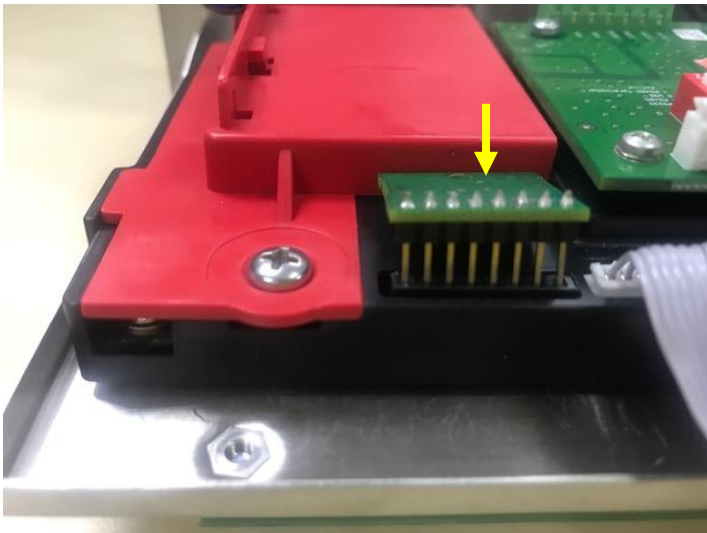
3. Extraiga la parte inferior del terminal.



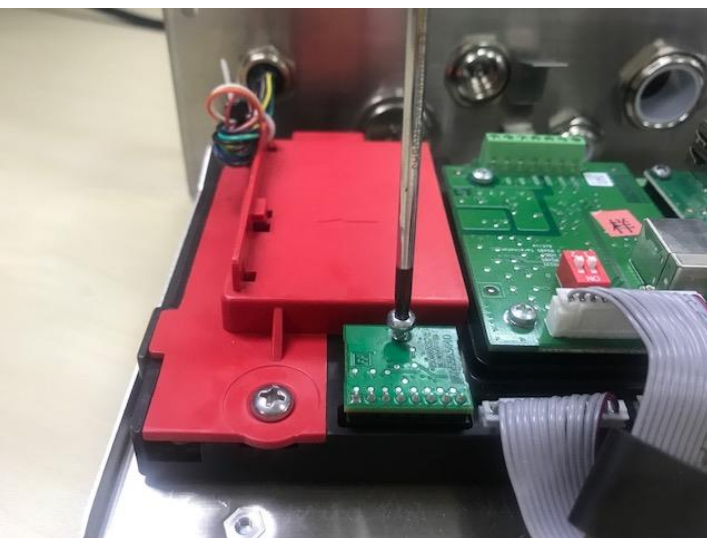
4. Extraiga la tarjeta de memoria Alibi y prepare la instalación en el lugar marcado con el círculo.



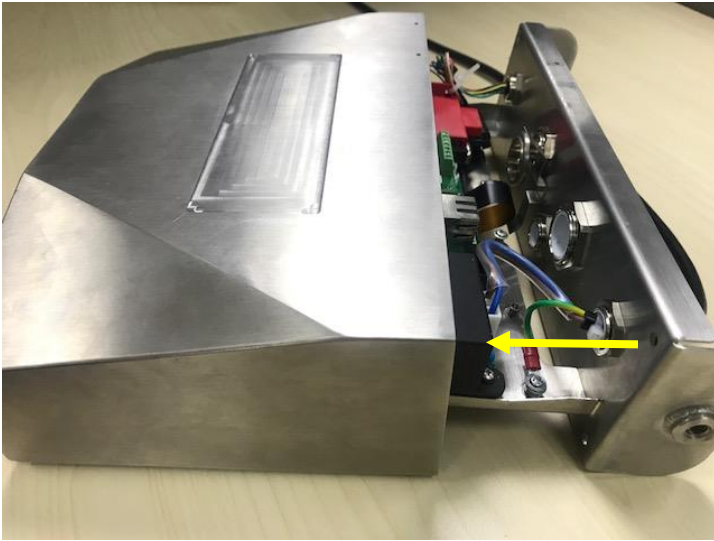
5. Introduzca la tarjeta de memoria Alibi en la ranura, tal y como aparece más abajo. Asegúrese de que las clavijas estén correctamente insertadas.



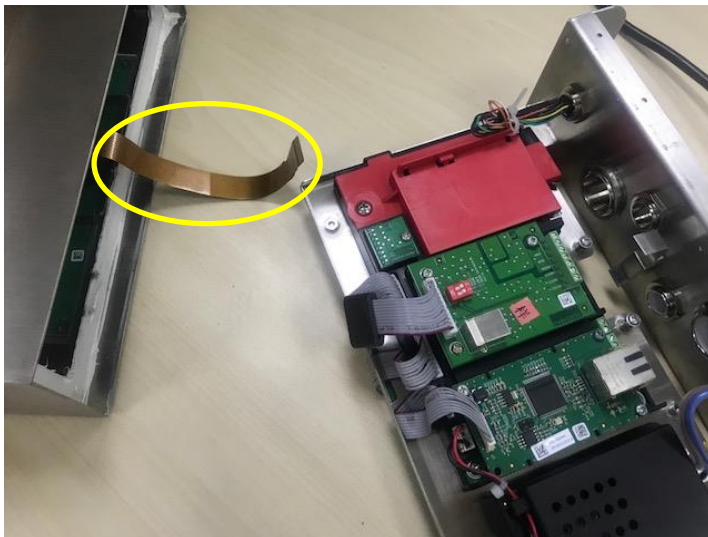
6. Use un destornillador para apretar el tornillo, y asegúrese de que la tarjeta de memoria Alibi está instalada correctamente.



7. Apriete la parte inferior del terminal, y asegúrese de que todos los tornillos marcados en el paso 2 estén apretados.

**Nota:**

Existe la posibilidad de que el cable inferior se desprenda de la parte inferior del terminal cuando lo extraiga. En ese caso, siga los pasos que aparecen a continuación para volver a conectar el cable del botón:



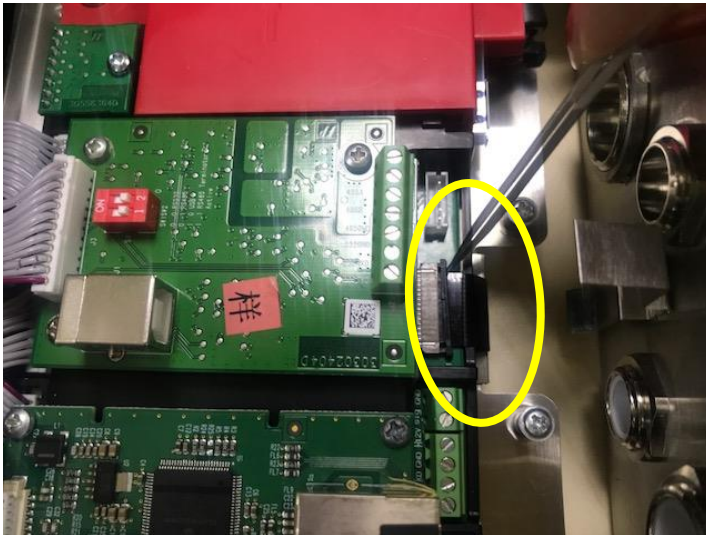
1. Cuando termine de instalar la tarjeta de memoria Alibi, pase el cable inferior por debajo del medidor.



- Y tire de él por debajo de la toma FPC. Empuje el botón del cable más allá de la toma FPC, para que el cable quede sujeto de forma firme.



- Use una pinza u otro tipo de herramienta para tirar del lado derecho e izquierdo de la toma de FPC.



- Asegúrese de que toda la toma FPC esté empujada hacia adentro y el cable del botón esté firmemente sujeto a ella.



- Repita el paso 7 descrito anteriormente para introducir la parte inferior del terminal y apriete todos los tornillos.

4.9 I.O Discreta (para el modelo i-DT61XWE)

El menú discreto I/O permite la configuración de 3 entradas y de 4 salidas. La Entrada0 Discreta se encuentra en la posición J16 en la placa principal (por favor, consulte la sección **Placa principal** para saber dónde se encuentra), mientras que otras Entradas y Salidas Discretas están ubicadas en la placa opcional Discreta I/O.

Menu	Submenú	Submenú(en segmento)	Opciones:	Opciones (en segmento)
I.O. I.O.	Reiniciar	rESEt	no, sí	NO, YES
	TIPO	tYPE	ABIERTO, CERRADO	OPEN, CLOSEd
	Entrada0 discreta	INPUt0	Apagado, cero, tara, borrar tara, imprimir, unidad, iniciar, resetear, iniciar/parar, pausar/continuar	OFF, ZER0, tArE, CLr.tAr, Pr INt, UN It, ACCUPt, StArE, rESEt, StA-SP, PA-rE
	Entrada1 discreta	INPUt1	Apagado, cero, tara, borrar tara, imprimir, unidad, iniciar, resetear, iniciar/parar, pausar/continuar	OFF, ZER0, tArE, CLr.tAr, Pr INt, UN It, ACCUPt, StArE, rESEt, StA-SP, PA-rE
	Entrada2 discreta	INPUt2	Apagado, cero, tara, borrar tara, imprimir, unidad, iniciar, resetear, iniciar/parar, pausar/continuar	OFF, ZER0, tArE, CLr.tAr, Pr INt, UN It, ACCUPt, StArE, rESEt, StA-SP, PA-rE
	Salida1 discreta	OUT1	Apagado, sobrecarga, poca carga, superior, inferior, aceptar, superior/inferior, SP1, SP2, SP3, SP4, alarma	OFF, OULORd, UN.LORd, oUEr, UNdEr, ACCEPt, UN-OU, F.SP1, F.SP2, F.SP3, F.SP4, ALArM
	Salida2 discreta	OUT2	Apagado, sobrecarga, poca carga, superior, inferior, aceptar, superior/inferior, SP1, SP2, SP3, SP4, alarma	OFF, OULORd, UN.LORd, oUEr, UNdEr, ACCEPt, UN-OU, F.SP1, F.SP2, F.SP3, F.SP5, ALArM
	Salida3 discreta	OUT3	Apagado, sobrecarga, poca carga, superior, inferior, aceptar, superior, inferior, SP1, SP2, SP3, SP4, alarma	OFF, OULORd, UN.LORd, oUEr, UNdEr, ACCEPt, UN-OU, F.SP1, F.SP2, F.SP3, F.SP5, ALArM
	Salida4 discreta	OUT4	Apagado, sobrecarga, poca carga, superior, inferior, aceptar, superior/inferior, SP1, SP2, SP3, SP4, alarma	OFF, OULORd, UN.LORd, oUEr, UNdEr, ACCEPt, UN-OU, F.SP1, F.SP2, F.SP3, F.SP5, ALArM
	Fin	End	\	/

4.9.1 Tipo de I/O

Establezca el estado de la salida del relé

OPEN = el estado inicial de la salida del relé normalmente es abierto.

CLOSEd = el estado inicial de la salida del relé normalmente es cerrado.

4.9.2 Entrada

La función I/O de entrada se define a continuación.

OFF	La conexión de entrada está desactivada.
ZERO	La entrada externa inicia una función de Cero
TARE	La entrada externa inicia una función de Tara
CLRTARE	La entrada externa inicia una función de Borrar Tara
PRINT	La entrada externa inicia una función de Imprimir
UNIT	La entrada externa inicia una función de Unidad
ACCUM	La entrada externa inicia una función de Acumulado
START	La entrada externa inicia una función de Inicio
RESET	La entrada externa inicia una función de Resetear
START-SP	La entrada externa inicia una función de Inicio, la segunda entrada externa inicia una función de Parada.
PAUSE	La entrada externa inicia una función de pausa, la segunda entrada externa inicia una función de continuar.

4.9.3 Salida

OFF	La conexión de salida está desactivada
OVLORD	Si el peso está sobrecargado, el instrumento ejecutará una salida de relé.
UNLORD	Si el peso tiene una carga insuficiente, el instrumento ejecutará una salida de relé.
OVER	Si el peso está por encima del valor superior que haya establecido, el instrumento ejecutará una salida de relé.
UNDER	Si el peso está por debajo del valor inferior que haya establecido, el instrumento ejecutará una salida de relé-
ACCEPT	Si el peso está dentro del rango que haya establecido, el instrumento ejecutará una salida de relé
UN-OV	Si el peso está por debajo del valor inferior o por encima del valor superior que haya establecido, el instrumento ejecutará una salida de relé
F.SP1	El valor del peso es >=SP1, el instrumento ejecutará una salida de relé
F.SP2	El valor del peso es >=SP2, el instrumento ejecutará una salida de relé
F.SP3	El valor del peso es >=SP3, el instrumento ejecutará una salida de relé
F.SP4	El valor del peso es >=SP4, el instrumento ejecutará una salida de relé

4.10 Configuración de la tecla de bloqueo

El menú **L.O.C.F** se utiliza para bloquear el acceso a determinadas teclas. Cuando selecciona ENCENDIDO para una selección, se ignorará la presión de la tecla asociada.

Si selecciona Bloquear todas las teclas, perderá la función de todas las teclas. Para desbloquearlas, mantenga presionado el botón **Menu** durante 30 segundos para acceder a las configuraciones y desbloquearlo.

Elemento	Configuraciones disponibles (en negrita las configuraciones predeterminadas)
Bloquear todas las teclas [L.ALL]	ENCENDIDO , APAGADO
Desbloquear todas las teclas [L.OFF]	ENCENDIDO , APAGADO
Bloquear la tecla cero [L.ZERO]	ENCENDIDO , APAGADO
Bloquea la tecla imprimir [L.PRINT]	ENCENDIDO , APAGADO
Bloquear la tecla unidad [L.UNIT]	ENCENDIDO , APAGADO
Bloquear la tecla modo [L.MODE]	ENCENDIDO , APAGADO
Bloquear la tecla menú [L.MENU]	ENCENDIDO , APAGADO
Bloquear la tecla tara [L.TARE]	ENCENDIDO , APAGADO
Bloquear la tecla objetivo [L.TARGET]	ENCENDIDO , APAGADO
Bloquear la tecla numérica [L.NUM]	ENCENDIDO , APAGADO
Reiniciar	NO , Sí

Nota: Si se ha bloqueado el botón **Menu**, mantenga pulsado el botón **Menu** durante 30 segundos para acceder a las configuraciones y desbloquearlo.

4.11 Biblioteca (para el modelo i-DT61XWE)

La biblioteca tiene capacidad hasta para 400 registros. Todos los modos de aplicación comparten una misma biblioteca.

Es posible clonar la biblioteca mediante los siguientes métodos:

1. Copiar todos los archivos a un dispositivo USB.
2. Utilizar el software ScaleMate (versión 2.3.0 o superior) para leer todos los archivos de la biblioteca. Póngase en contacto con un distribuidor autorizado para obtener el software.

Directorio

Biblioteca	I-DT61XWLIB
------------	-------------

Elementos de la biblioteca

Las bibliotecas cuentan con diferentes elementos: PN, nombre, tara, inferior, superior, peso de referencia, F.SP1, F.SP2, F.SP3 y F.SP4

PN (**PN**): El número de pieza del material (único).

Nombre (**NAME**): El nombre del material.

Inferior (**INFER**): El valor inferior de la verificación.

Superior (**SUPER**): El valor superior de la verificación.

Tara (**TARE**): El peso de tara del material.

Peso de referencia (**REF.WT**): el peso de referencia para el pesaje por porcentaje.

APW (**APW**): el peso medio por pieza para el conteo

F.SP1 (**F.SP1**): el primer peso objetivo para el llenado.

F.SP2 (**F.SP2**): el segundo peso objetivo para el llenado.

F.SP3 (**F.SP3**): el tercer peso objetivo para el llenado.

F.SP4 (**F.SP4**): el cuarto peso objetivo para el llenado.

Cada modo de pesaje es compatible con diferentes elementos. Consulte la tabla que aparece a continuación:

Elemento \ Modo	PN	Nombre	Inferior	Superior	Tara	Peso de referencia	APW	F.SP1	F.SP2	F.SP3	F.SP4
Pesaje	X	X	X	X	X						
Porcentaje	X	X	X	X	X	X					
Dinámico	X	X	X	X	X						
Llenado	X	X			X			X	X	X	X
Conteo	X	X	X	X	X		X				

Crear un nuevo elemento de biblioteca

Para crear un nuevo elemento de biblioteca

1. Mantenga presionado el botón **Menu** hasta que vea **C.A.L.**. Pulse el botón **No** varias veces para navegar hasta que vea **L. I.b.**. Pulse el botón **Yes**.
2. Pulse el botón **Yes** cuando vea **NEW**.
3. En la pantalla aparece **TYPE**. Pulse el botón **Exit** para seleccionar. Pulse el botón **No** para seleccionar entre pesaje (**WEIGH**), porcentaje (**PERCENT**), dinámico (**DYNAMIC**) y llenado (**FILL**). Cuando vea el tipo que desea, pulse el botón **Yes** para seleccionarlo.
4. En la pantalla aparece **PN**. Pulse el botón **Yes** para introducir el número PN. Introduzca el número utilizando el teclado numérico. Pulse el botón **Yes** cuando haya terminado.
5. En la pantalla aparece **NAME**. Pulse el botón **Yes** para introducir el nombre. Introduzca el número utilizando el teclado numérico. Pulse el botón **Yes** cuando haya terminado.
6. A continuación, la pantalla muestra otros valores, tal y como se indica en la tabla anterior para cada valor. Pulse el botón **Yes** para introducir cada valor. Introduzca el número utilizando el teclado numérico. Pulse el botón **Yes** cuando haya terminado.

7. La pantalla muestra **End** cuando termina con todas las configuraciones. Pulse el botón **Yes** para confirmar.
8. En la pantalla aparece **SAVE**. Pulse el botón **Exit** para guardar.
9. En la pantalla aparece el siguiente menú **Ed It**. Pulse el botón **Exit** para salir.

Nota: Si no necesita introducir valores para algunos elementos de los pasos 5 a 7, puede pulsar el botón **No** para saltarse el siguiente elemento.

Editar un elemento de la biblioteca:

Para editar un elemento de la biblioteca::

1. Mantenga presionado el botón **Menu** hasta que vea **C.R.L**. Pulse el botón **No** varias veces para navegar hasta que vea **L. I.b.**. Pulse el botón **Yes**.
2. Pulse el botón **No** para seleccionar hasta que vea **Ed It**. Pulse el botón **Yes**.
3. En la pantalla aparece **SEARCH**. Pulse el botón **Yes**.
4. Introduzca el número PN del elemento de la biblioteca que necesite editar. Utilice el teclado numérico para introducir los datos y pulse el botón **Yes** cuando haya terminado.

Si necesita buscar el número PN, introduzca al menos un número del PN de ese elemento mediante el teclado numérico y a continuación pulse el botón **Yes**. El primer número PN incluye el número que introduzca y que se mostrará. Pulse el botón **No** para navegar entre los diferentes números de los productos. Cuando vea el que desea, pulse el botón **Yes** para confirmar.

Si introduce más de un número del PN, asegúrese de que son consecutivos.

Por ejemplo, si desea buscar un artículo de la biblioteca con PN 76543, para introducir solo un número, puede introducir 7, 6, 5, 4 o 3. Para introducir más de un número, puede introducir 76, 765, 54, 543 etc. Evite introducir números que no sean consecutivos, como 74, 753, etc. El resultado no aparecerá.

5. La pantalla muestra el número PN del elemento de la biblioteca a editar. Pulse el botón **Yes** para confirmar.
6. En la pantalla aparece **TYPE**.
 - Pulse el botón **Yes** si necesita editarlo. A continuación, pulse el botón **No** para seleccionar entre pesaje (**WGT IGH**), porcentaje (**PERCENT**), dinámico (**DYNAMIC**) y llenado (**FILL**). Cuando vea el tipo que desea, pulse el botón **Yes**.
 - Pulse el botón **No** si no necesita editarlo, y pase al siguiente elemento.
7. Repita el paso 6 para editar todos los elementos que necesite.
8. Cuando haya terminado, continúe pulsando el botón **No** hasta que vea **End**. Pulse el botón **Yes** para confirmar.
9. En la pantalla aparece **SAVE**. Pulse el botón **Exit** para guardar.
10. En la pantalla aparece **End**. Pulse el botón **Exit** para salir.

Recuperar un elemento de la biblioteca:

Para recuperar y utilizar un elemento de la biblioteca en los modos pesaje, conteo, porcentaje, dinámico y llenado:

Introduciendo datos:

- Introduzca el PN para el elemento de la biblioteca mediante el teclado numérico en esos modos de pesaje. A continuación, pulse el botón **Lib** hasta que vea el número del producto en la pantalla. Pulse el botón **Yes** para confirmar.
- La búsqueda también admite la introducción de un PN abreviado. Para ello, puede introducir al menos un número del PN mediante el teclado numérico, y a continuación mantener pulsado el botón **Lib**. El primer número producto incluye el número que introduzca y que se mostrará. Pulse el botón **No** para navegar entre los diferentes números de los productos. Cuando vea el que desea, pulse el botón **Yes** para confirmar.

Si introduce más de un número del PN, asegúrese de que son consecutivos.

Por ejemplo, si desea buscar un elemento de la biblioteca con PN 76543, puede introducir 76, 765, 54, 543, etc. Evite introducir números que no sean consecutivos, como 74, 753, etc. El resultado no aparecerá.

Mediante RFID o código de barras.

Si el número de producto introducido a través de un RFID o un código de barras coincide con un número de producto de la biblioteca, el terminal recuperará el registro de la biblioteca.

Cuando haya un registro de la biblioteca en uso, una flecha en la pantalla apuntará al icono de la biblioteca



Dejar de usar un elemento de la biblioteca:

Para dejar de usar un elemento de la biblioteca en los modos pesaje, conteo, porcentaje, dinámico y llenado:

1. Cuando esté pesando en alguno de los modos que aparecen más arriba, mantenga pulsado el botón **Lib**. La pantalla muestra el número producto del elemento de la biblioteca en uso.
2. Pulse el botón **CLR** cuando vea el número del producto en la pantalla. En la pantalla aparecerá **CLRL lb**. Pulse el botón **Exit** para borrar. Pulse el botón **No** para volver al modo de aplicación activo.

4.12 Usuario (para el modelo i-DT61XWE)

Acceda al menú **U.S.E.r** para añadir o editar usuarios. El número máximo de usuario es 100. El registro contiene el ID y el NOMBRE. La longitud del ID y del NOMBRE es de aproximadamente 32 caracteres.

Añadir un usuario.

Para añadir un nuevo usuario:

1. Mantenga presionado el botón **Menu** hasta que vea **C.R.L**. Pulse el botón **No** varias veces para navegar hasta que vea **U.S.E.r**. Pulse el botón **Yes**.
2. En la pantalla aparece **NEUJ**. Pulse el botón **Yes**.
3. En la pantalla aparece **Id**. Pulse el botón **Yes**, y a continuación introduzca el nuevo ID usando el teclado numérico. Pulse el botón **Yes** cuando haya terminado.
4. En la pantalla aparece **NAME**. Pulse el botón **Yes**, y a continuación introduzca el nuevo nombre usando el teclado numérico. Pulse el botón **Yes** cuando haya terminado.
5. En la pantalla aparece **END**. Pulse el botón **Yes**.
6. En la pantalla aparece **SAVE**. Pulse el botón **Yes** para guardar, y la pantalla avanza al siguiente menú **Ed lb**.

Editar un usuario

Para editar un usuario:

1. Mantenga presionado el botón **Menu** hasta que vea **C.R.L**. Pulse el botón **No** varias veces hasta que vea **U.S.E.r**. Pulse el botón **Yes**.
2. En la pantalla aparece **NEUJ**. Pulse el botón **No** para seleccionar **Ed lb**. Pulse el botón **Yes**.
3. En la pantalla aparece **SEARCH**. Pulse el botón **Yes**.
4. Introduzca el ID del usuario usando el teclado numérico. Pulse el botón **Yes**. La pantalla muestra el ID del usuario. Pulse el botón **Yes**.

Como alternativa, también puede buscar el ID de un usuario introduciendo al menos un número del ID mediante el teclado numérico y pulsando a continuación el botón **Yes**. El primer ID de usuario incluye el número que introduzca y que se mostrará. Pulse el botón **No** para navegar entre los diferentes ID. Cuando vea el que desea, pulse el botón **Yes** para confirmar.

Si introduce más de un número del ID, asegúrese de que son consecutivos.

Por ejemplo, si desea buscar un ID 76543, para introducir solo un número, puede introducir 7, 6, 5, 4 o 3. Para introducir más de un número, puede introducir 76, 765, 54, 543 etc. Evite introducir números que no sean consecutivos, como 74, 753, etc. El resultado no aparecerá.

5. En la pantalla aparece **Id**. Pulse el botón **Yes**, y a continuación introduzca el nuevo ID usando el teclado numérico. Pulse el botón **Yes** cuando haya terminado.
6. En la pantalla aparece **NAME**. Pulse el botón **Yes**, y a continuación introduzca el nuevo nombre usando el teclado numérico. Pulse el botón **Yes** cuando haya terminado.
7. En la pantalla aparece **END**. Pulse el botón **Yes**.
8. En la pantalla aparece **SAVE**. Pulse el botón **Exit** para guardar.

9. En la pantalla aparece **END**. Pulse el botón **Yes**, y la pantalla mostrará **E.N.d.** para el menú de memoria. Pulse el botón **Yes** para salir.

Recuperar un usuario

Para recuperar un usuario en los modos pesaje, conteo, porcentaje, dinámico o llenado:

Introduciendo datos:


- Introduzca el ID del usuario mediante el teclado numérico en esos modos de pesaje. A continuación, pulse el botón **User** hasta que vea el ID en la pantalla. Pulse el botón **Yes** para confirmar.
- La búsqueda también admite la introducción de un ID abreviado. Para ello, puede introducir al menos un número del ID mediante el teclado numérico, y a continuación mantener pulsado el botón **User**. El primer número producto incluye el número que introduzca y que se mostrará. Pulse el botón **No** para navegar entre los diferentes ID. Cuando vea el que desea, pulse el botón **Yes** para confirmar.

Si introduce más de un número del ID, asegúrese de que son consecutivos.

Por ejemplo, si desea buscar un ID de usuario 76543, puede introducir 76, 765, 54, 543, etc. Evite introducir números que no sean consecutivos, como 74, 753, etc. El resultado no aparecerá.

Mediante RFID o código de barras.

Si el número de ID de usuario introducido a través de un RFID o un código de barras coincide con un ID de usuario de la biblioteca, el terminal recuperará el usuario.

Cuando haya un usuario en uso, una flecha en a pantalla apuntará al icono del usuario . Más adelante, si selecciona el usuario en la plantilla de impresión, se imprimirá el ID del usuario.

Dejar de usar un usuario

Para dejar de usar un usuario en los modos pesaje, conteo, porcentaje, dinámico o llenado:

1. Cuando esté pesando en alguno de los modos que aparecen más arriba, mantenga pulsado el botón **User**. La pantalla muestra el ID del usuario que esté en uso actualmente.
2. Pulse el botón **CLR** cuando vea que se muestra el ID. En la pantalla aparecerá **CL.R.L** **ib**. Pulse el botón **Yes** para borrar. Pulse el botón **No** para volver al modo de aplicación activo.

4.13 USB (para el modelo i-DT61XWE)

Este menú aparecerá cuando se conecte una unidad de memoria USB, un RFID, un escáner de código de barras, un teclado o un dongle Wi-Fi o Bluetooth (opcional)

Menú	Submenú	Submenú(en segmento)	Opciones	Opciones (en segmento)
USB U.S.b	Reiniciar	rESEt	No, sí	nO, yEs
	TIPO	tYPE	Unidad de memoria /RFID/Escáner de código de barras /Teclado	d ISr, rF Id, bAR-Code, tEybd
	menú exportar[Unidad de memoria]	E.MENU	\	
	menú importar[Unidad de memoria]	I.MENU	\	
	bib. exportar[Unidad de memoria]	E.L Ib	\	
	bib. importar[Unidad de memoria]	I.L Ib	\	
	exportar usuario[Unidad de memoria]	E.USER	\	
	importar usuario[Unidad de memoria]	I.USER	\	
	Longitud[Código de barras]	LENGtH	XXXXXXXX	
	Dígito inicial[Código de barras]	S.d IG It	XX	
	Fin	End	\	/

4.13.1 Unidad de memoria USB

A continuación se definen las funciones del menú de la unidad de memoria USB:

E.MENU	Exportar las configuraciones del menú a una unidad de memoria USB
I.MENU	Importar las configuraciones del menú de una unidad de memoria USB
E.L Ib	Exportar las bibliotecas a una unidad de memoria USB
I.L Ib	Importar las bibliotecas de una unidad de memoria USB
E.USER	Exportar los perfiles de usuario a una unidad de memoria USB
I.USER	Importar los perfiles de usuario de una unidad de memoria USB

Nota: La Biblioteca/Usuario/Configuraciones del menú se pueden exportar a una unidad de memoria. Dicha unidad de memoria se puede insertar en otro terminal, y se pueden importar al terminal las Configuraciones del Menú. Después de finalizar la importación, se reiniciará el terminal, A continuación, las configuraciones del menú de ambos terminales serán las mismas.

4.13.2 RFID

Utilice un lector RFID para buscar el PN (número de producto) o el ID de usuario para recuperar y usar el elemento de la biblioteca relacionado o el usuario durante el pesaje.

Utilice un lector RFID para introducir números cuando esté en el modo entrada.

Dado que hay muchas marcas de dispositivos RFID en el mercado, OHAUS ha comprobado y confirmado el lector que aparece a continuación de RFIDeas (www.RFIDeas.com) es compatible:

RDR-6081AKU-C06.

4.13.3 Código de Barras

Utilice un escáner de código de barras para buscar el PN (número de producto) o el ID de usuario para recuperar y usar el elemento de la biblioteca relacionado o el usuario durante el pesaje.

Utilice un escáner de código de barras para introducir números cuando esté en el modo entrada.

LENGTH	Especifique la longitud del segmento de lectura del lector de código de barras.
START ID	Especifique el dígito inicial del segmento de lectura del lector de código de barras. El escáner de código de barras solo responderá cuando el dígito inicial coincida con su configuración.

Dado que hay muchas marcas de escáneres de código de barras en el mercado, OHAUS ha comprobado y confirmado que el escáner de código de barras que aparece a continuación de Datalogic® es compatible: QuickScan series

4.13.4 Teclado

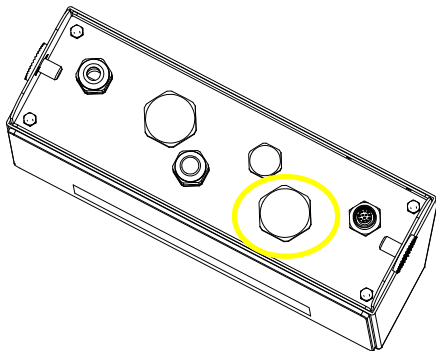
Utilice un teclado para introducir números cuando esté en el modo entrada.

4.13.5 Dongle Wi-Fi/Bluetooth (Opcional)

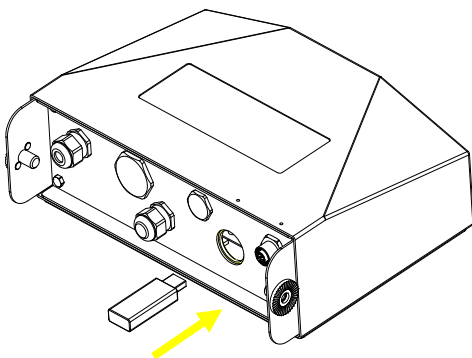
Un dongle para Wi-Fi o Bluetooth puede ayudar al terminal a recibir datos que se transmitan mediante Wi-Fi o Bluetooth. Es opcional, y puede ponerse en contacto con su distribuidor autorizado de OHAUS para conseguirlo.

4.13.5.1 Instalación de un dongle USB para Wi-Fi o Bluetooth

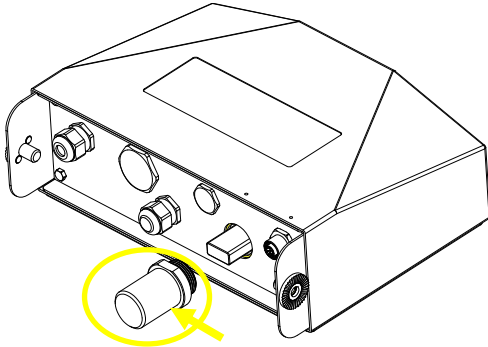
- 1 Retire la cubierta M25 ubicada en la parte inferior del indicador.



- 2 Conecte el dongle USB para Wi-Fi o Bluetooth a través del orificio M25.



3 Cierre la cubierta del dongle USB.



Cubierta del dongle USB para Wi-Fi o Bluetooth

Nota: La cubierta también es opcional, póngase en contacto con su distribuidor autorizado de OHAUS para conseguirla.

4.13.5.2 Configuración

Después de insertar el dongle, el indicador lo reconocerá y añadirá los elementos correspondientes al menú. El indicador mostrará la dirección IP, y deberá configurar otros parámetros a través del software ScaleMate de OHAUS. Para conseguir el software, póngase en contacto con su distribuidor autorizado de OHAUS.

Nota: para saber cómo configurar los parámetros del software ScaleMate, consulte el vídeo de instrucciones del software a través de un distribuidor autorizado de OHAUS.

Configuración inalámbrica

Menu	Submenú	Submenú (en segmento)	Opciones	Opciones (en segmento)
Inalámbrico Wi-Fi-Bluetooth	Reiniciar	RESET	No, sí	NO, YES
	Tipo	TYPE	wifi, bluetooth	WiFi, BLUETOOTH
	Dirección IP [Wi-Fi]	IP.Addr	XXXXXX-XXXX (169.254.1.1-6060)	/
	Nombre del Dispositivo[bt]	DEVICE	XXXXXX	/
	Codigopin [bt]	PIN	XXXXXX	/
	Alt Print CMD	ALT.P	A~Z, P	/
	Alt Tara CMD	ALT.t	A~Z, T	/
	Alt Cero CMD	ALT.z	A~Z, Z	/
	Fin	END	\	/

Dirección MAC

La dirección de Control de Acceso Medio (MAC) del Wi-Fi/Bluetooth no es editable.

Puerto

El valor por defecto del puerto IP es 6060.

DHCP

Si el DHCP está configurado como **ENCENDIDO**, la IP compartida o el router asignarán automáticamente una dirección IP. Si el DHCP está configurado como APAGADO, los usuarios deberán configurar la dirección IP, la máscara de subred, el portal de acceso, el DNS primario y el DNS secundario. Si no hay un servidor DHCP en la red, el servidor DHCP de la placa de opciones de Ethernet pasará a serlo.

Nota: Después de configurar la dirección IP, la máscara de subred, el portal de acceso, el DNS primario y el DNS secundario, reinicie el indicador para activar las configuraciones.

Dirección IP

La IP por defecto es 192.168.1.2

Máscara de subred

La máscara de subred por defecto es 255.255.255.0

Portal de acceso

El portal de acceso por defecto es 192.168.1.1

DNS primario y DNS secundario

El valor DNS no es necesario cuando el sistema se conecta a una red LAN, y viene asignado por el ISP cuando se conecta a Internet.

Comando alternativo

El comando alternativo para imprimir, realizar la tara o el cero se puede configurar entre "a" ~ 'z' o 'A' ~ 'Z'.

Nota: El submenú aparecerá después de la instalación del dongle.

Menú de impresión

Para la configuración de impresión por Wi-Fi y Bluetooth, consulte la sección **Menú de impresión** en la parte de **Comunicación** para conocer los detalles sobre los ajustes de impresión.

Configuración del Bluetooth

Para vincular su dispositivo con el terminal a través de Bluetooth, tome Windows 10 como ejemplo:

1. Haga clic en **Configuraciones** en el menú **Inicio**.
2. Seleccione **Dispositivos (Bluetooth, impresoras, ratón)** en la ventana emergente **Configuraciones** o escriba Bluetooth en la barra de búsqueda de la ventana para lanzar el programa **Bluetooth y otros dispositivos**.
3. Haga clic en **Añadir Bluetooth y otro dispositivo**.
4. Seleccione **Bluetooth** en la ventana emergente **Añadir un dispositivo**.
5. Seleccione el nombre del Bluetooth de su terminal para vincularlo, y a continuación compruebe el código pin que aparece con él.
6. Introduzca el código pin usando el teclado numérico de su terminal.
7. Si aparece en su ordenador el mensaje **Su terminal está listo para comenzar**, significa que la conexión ha tenido éxito.
8. Si necesita comprobar que puertos COM (en serie) está usando su ordenador, siga los pasos que aparecen a continuación:
 - a) En la página **Bluetooth y otros dispositivos**, en lugar de hacer clic en **Añadir Bluetooth y otro dispositivo**, desactive la página y busque **Más opciones de Bluetooth** en la sección **Configuraciones relacionadas**.
 - b) Haga clic en **Más opciones de Bluetooth**.
 - c) Seleccione **Puertos COM** en la barra superior, y aparecerán los puertos COM (en serie) que estén en uso.

Nota: si utiliza otro dispositivo para vincular este terminal, siga el método específico de vinculación para Bluetooth de dicho dispositivo.

5. LEGAL FOR TRADE

Cuando se utilice el indicador en comercio o con una aplicación controlada legalmente, debe ser configurada, verificada y sellada de acuerdo con los pesos locales y las normativas en cuanto a medidas. Es responsabilidad del comprador garantizar que se cumplan todos los requisitos legales.

5.1 Configuraciones

Antes de la verificación y el sellado, se deben llevar a cabo los siguientes pasos:

- 1 Verifique que las configuraciones del menú cumplen con las regulaciones locales en cuanto a pesos y medidas.
- 4 Realice una calibración tal y como se explica en la **Calibración**.
- 5 Apague el indicador.

Para encender el interruptor de seguridad:

1. Desconecte la corriente del indicador y abra la carcasa tal y como se explica en la sección **Apertura de la carcasa** en el capítulo **Instalación**. (Extraiga las baterías para el modelo i-DT61PW).
2. Ajuste la posición del interruptor de seguridad SW1 en ENCENDIDO. (Consulte la sección Placa principal para saber dónde está ubicado SW1 en la placa principal).
3. Cierre la carcasa.
4. Vuelva a conectar la corriente y encienda el indicador. (Vuelva a instalar las baterías para el modelo i-DT61PW).

5.2 Verificación

El procedimiento de verificación debe ser realizado por el oficial responsable local de pesos y medidas o por un agente del servicio autorizado.

5.3 Sellado

Después de verificar la balanza, debe ser sellada por el responsable de para evitar accesos no deseados a los ajustes controlados legalmente Consulte las ilustraciones que aparecen a continuación con respecto a los métodos de sellado.

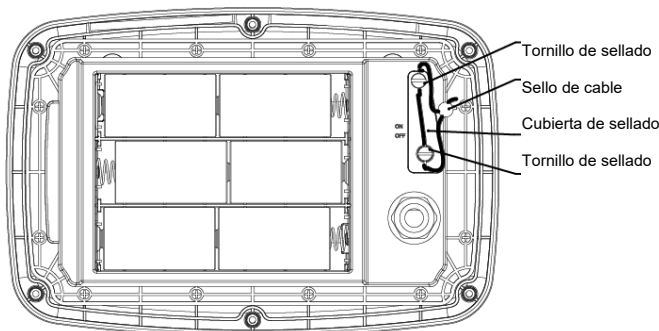


Imagen 5-1. i-DT61PW sello de cable

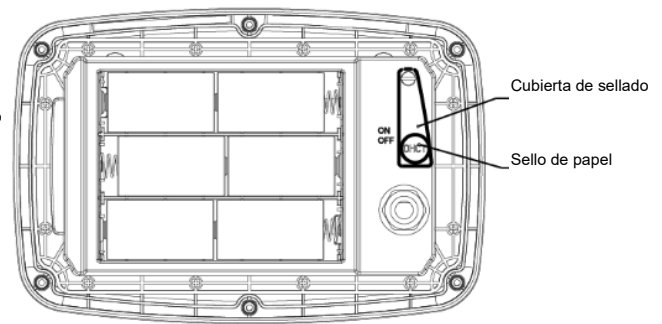


Imagen 5-2. i-DT61PW sello de papel

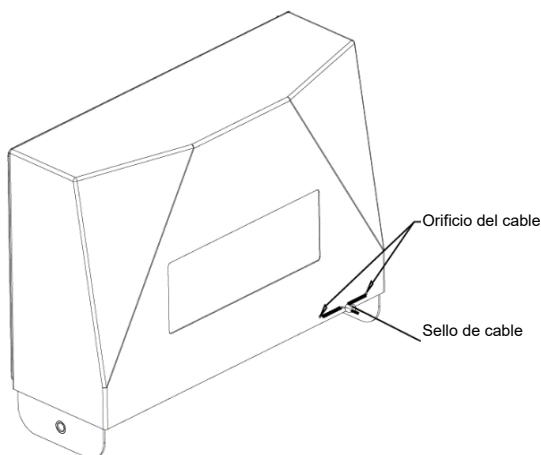


Imagen 5-3. i-DT61PW sello de cable

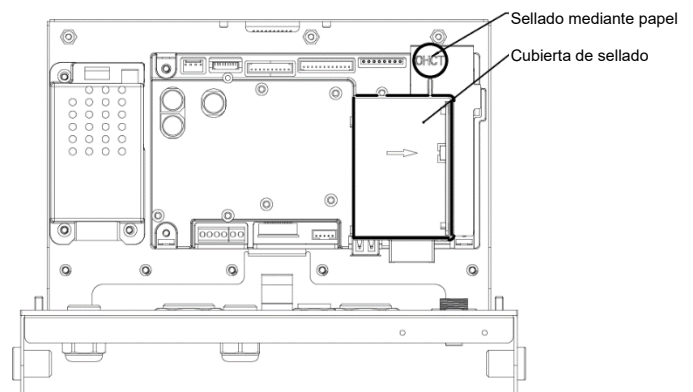


Imagen 5-4. i-DT61PW Sello de papel

Cuando los indicadores i-DT61PW o i-DT61XWE están conectados a una base de la serie OHAUS Defender 6000 que presenta la función EasyConnect™. Tiene un módulo de memoria en el cable de la célula de carga, y el cable de conexión se sella mediante una combinación de software, para que no sea necesario sellar el cable con hardware. Una vez que el indicador o la base se sustituyen por nuevos, aparecerá un mensaje de error (**Error 8.9**) en la ventana que se muestra del indicador.

Cuando los indicadores i-DT61PW o i-DT61XWE están conectados a una base externa que no incluye un módulo de memoria, la conexión entre el indicador y el receptor de carga debe sellarse usando una cubierta para el conector (P/N: 30538022), una pegatina de sellado o un sellado mediante cable.

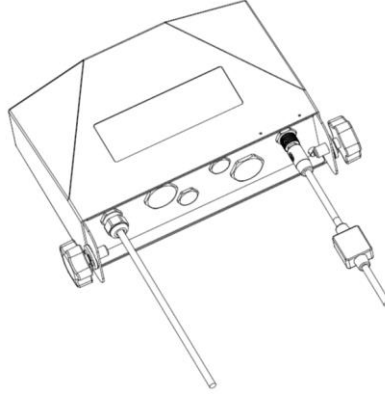


Imagen 5-5. Cale de conexión con conector y módulo de memoria.

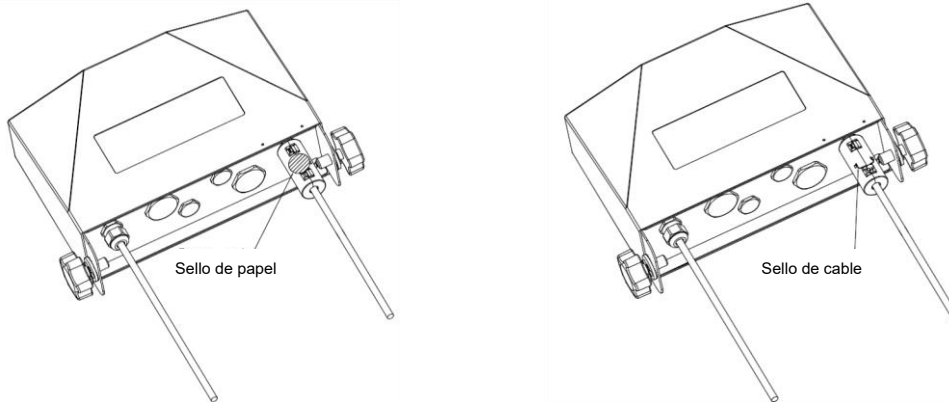


Imagen 5-6. Cable de conexión con conector y sin módulo de memoria.

6. MANTENIMIENTO

PRECAUCIÓN: DESCONECTE LA UNIDAD DE LA FUENTE DE ALIMENTACIÓN ANTES DE LIMPIARLA.

6.1 Limpieza



AVISO: Peligro de descarga eléctrica. Desconecte el equipo de la fuente de alimentación antes de limpiarlo.

Asegúrese de que no entre ningún líquido en el interior del dispositivo.



Atención: No utilice disolventes, productos químicos corrosivos, amoníaco ni agentes limpiadores abrasivos.

Se puede limpiar la carcasa con un paño humedecido en detergente suave si es necesario.

6.1.1 Limpieza del modelo i-DT61PW

- Se puede limpiar la carcasa con un paño humedecido en detergente suave si es necesario.
- No utilice disolventes, productos químicos, alcohol, amoníaco o productos abrasivos para limpiar la carcasa o el panel de control.

6.1.2 Limpieza del modelo i-DT61XWE

- Utilice soluciones de limpieza aprobadas para la carcasa de acero inoxidable del Indicador, y enjuague con agua. Séquelo completamente.
- No utilice disolventes, productos químicos, alcohol, amoníaco o productos abrasivos para limpiar el panel de control.

6.2 Resolución de problemas

TABLA 6-1 Resolución de problemas

SÍNTOMA	CAUSA(S) PROBABLE(S)	SOLUCIÓN
Error EEP	Error EEPROM Checksum	Datos EEPROM corruptos
La unidad no se encenderá	El cable de corriente no está enchufado o no está enchufado correctamente. La toma de corriente no suministra electricidad. Batería descargada (i-DT61PW). Otro fallo.	Compruebe las conexiones del cable de corriente. Asegúrese de que el cable de corriente está correctamente enchufado en la toma de corriente. Compruebe la fuente de corriente. Cambie las baterías (i-DT61PW). Es necesaria una reparación.
No se puede configurar el cero de la balanza, o no hay cero al encenderse.	La carga sobre la balanza supera los límites permitidos. La carga sobre la balanza no es estable. Daño en las células de carga.	Retire la carga sobre la balanza. Espere a que la balanza se estabilice. Es necesaria una reparación.
No se puede calibrar.	El menú de bloque de bloqueo de calibración está encendido. El menú LFT está encendido. Valor incorrecto para la masa de calibración.	Configure el menú de bloqueo de calibración en apagado. Consulte la sección 3.12 Bloqueo del Menú. Configure el menú LFT en apagado. Utilice la masa de calibración correcta..
No se puede mostrar el peso en la unidad de pesaje deseada.	La unidad no está configurada como encendida.	Active la unidad en el menú de unidades. Consulte la sección Menú de Unidades para más ayuda.
No se pueden cambiar las configuraciones del menú.	El menú se ha bloqueado.	Configure el menú seleccionado como apagado en el menú de bloqueo. Puede ser necesario configurar el interruptor de bloqueo de la placa de circuito en la posición de apagado.
Error 8.1	La lectura del peso excede el límite del cero de encendido.	Retire la carga sobre la balanza. Vuelva a calibrar la balanza.
Error 8.2	La lectura del peso está por debajo del límite del cero de encendido.	Añada carga a la balanza. Vuelva a calibrar la balanza.
Error 8.3	La lectura del peso excede el límite de la sobrecarga.	Reduzca la carga sobre la balanza.
Error 8.4	La lectura del peso está por debajo del límite de carga baja.	Añada carga a la balanza. Vuelva a calibrar la balanza.
Error 8.6	El peso supera los seis dígitos. Exceso en la pantalla.	Reduzca la carga sobre la balanza.
Error 8.8	Los datos de calibración de fábrica en el módulo de memoria al final del cable de la célula de carga no son válidos bajo el estado LFT APAGADO.	Calibre la balanza.
Error 8.9	Error al leer el número de serie del módulo de memoria o el número de serie no coincide con el del indicador bajo el estado LFT ENCENDIDO.	Rompa el sello o sustituya la base/indicador original.
Error 9.5	No hay presentes datos de calibración.	Calibre la balanza.
Símbolo de la batería parpadeando	Las baterías están descargadas.	Cambie las baterías (i-DT61PW).
ERR E	Valor de calibración fuera de los límites permisibles.	Utilice el peso de calibración correcto.
NO.564	Intentar salir del menú con el ajuste LFT en ENCENDIDO y el interruptor de seguridad en APAGADO.	Consulte el capítulo LEGAL FOR TRADE para conocer más detalles acerca de cómo configurar el interruptor de seguridad en la posición ENCENDIDO.
REF Unit Err	Peso de referencia demasiado bajo. El peso sobre la plataforma es demasiado bajo para definir un peso de referencia válido.	Utilice un peso superior como muestra.

6.3 Información de servicio

Si la sección de resolución de problemas no resuelve o su problema, póngase en contacto con un agente de servicio OHAUS autorizado. Para asistencia de servicio o en los Estados Unidos llame al número gratuito 1-800-526-0659 entre las 08:00 AM y las 17:00 PM (hora del este). Un especialista en servicio de productos de OHAUS estará disponible para brindarle asistencia. Fuera de los EE.UU. visite nuestra página web, www.ohaus.com, para localizar la oficina de OHAUS más cercana.

7. DATOS TÉCNICOS

7.1 Especificaciones

Materiales

Carcasa del I-DT61XWE: acero inoxidable 316

Carcasa del I-DT61PW: policarbonato (PC)

Ventana de la pantalla: policarbonato (PC)

Teclado: policarbonato (PC)

Especificaciones del equipo:

Solo para uso en interiores

Altitud: 2.000 m

Temperatura de funcionamiento: -10°C a 40°C

Humedad: humedad relativa máxima del 80 % para temperaturas de hasta 31 °C, disminuyendo linealmente al 50 % de humedad relativa a 40 °C.

Suministro eléctrico: 100 - 240V~, 0,5 A, 50/60 Hz (i-DT61XWE); 6 x D batería alcalina (i-DT61PW).

Fluctuaciones de voltaje: Las fluctuaciones del voltaje de la red eléctrica de hasta ± 10 % del voltaje nominal.

Categoría de sobretensión (Categoría de instalación) II

Grado de contaminación: 2

Modelo	i-DT61PW
Estructura	Carcasa de plástico y policarbonato, soporte de acero inoxidable 304
Protección	IP68/IP69k
Resolución máxima mostrada	1:75.000
Resolución máxima aprobada	1:10,000 (EC, OIML & NTEP) Clase III
Unidades de pesaje	Kilogramo, gramo, libra, onza, liba: onza, tonelada (tonelada métrica)
Modos	Pesaje básico, pesaje por porcentaje, conteo de piezas con APW optimizado, pesaje/conteo de verificación, pesaje dinámico.
Pantalla	Pantalla LCD de 6 dígitos y 7 segmentos con luz de fondo blanca, dígitos de 45 mm de alto
Indicador de verificación	Barra LED de 3 colores (rojo, verde, amarillo)
Teclado	Tecla mecánica de 6 funciones
Seguimiento de autocero	Apagado, 0,5 d, 1 d o 3 d
Tensión de excitación de las célula de carga	3.3VDC
Controlador de las células de carga	Hasta 4 células de carga x 350 ohm
Sensibilidad de entrada de las células de carga	Hasta 3 mV/V
Potencia	6 x baterías alcalinas D
Vida de la batería	1500 horas de uso continuo con luz de fondo apagada
Interfaz	Puerto de comunicación USB por infrarrojos
Dimensiones de envío	300 x 265 x 135 mm 11,8 x 10,4 x 5,3 pulgadas
Dimensiones del producto (con soporte)	10,4 x 8,9 x 3,3 pulg. / 265 x 225 x 85 mm
Peso neto aprox,	2,7 kg / 6,0 lb
Peso de envío aprox.	3,8 kg / 8,4 lb
Rango de temperatura de funcionamiento	14°F a 104°F / -10°C a 40°C

Modelo	i-DT61XWE
Estructura	Carcasa de acero inoxidable 316, soporte de acero inoxidable 316
Protección	IP68/IP69k
Resolución máxima mostrada	1:75.000
Resolución máxima aprobada	1:10,000 (EC, OIML & NTEP) Clase III
Unidades de pesaje	Kilogramo, gramo, libra, onza, liba: Onza
Modos	Pesaje básico, pesaje por porcentaje, pesaje/porcentaje de verificación, pesaje dinámico, pesaje de llenado, conteo
Pantalla	6 dígitos, 7 segmentos con luz LED, dígitos de 20 mm de alto
Indicador de verificación	3 colores (rojo, verde, naranja), matriz de puntos 8x16
Teclado	Teclas de 6 funciones + teclado capacitivo alfanumérico de 12 teclas
Seguimiento de auto cero	Apagado, 0,5 d, 1 d o 3 d
Tensión de excitación de las células de carga	5VDC
Controlador de células de carga	Gasta 4 células de carga de 350 ohm
Sensibilidad de entrada de las células de carga	Hasta 3 mV/V
Tiempo de estabilización	Dentro de 2 segundos
Potencia	100-240 VAC/ 50/60 Hz Fuente de alimentación universal, conectada por cable
Interfaz	Estándar RS232, Host USB Ethernet opcional, Wi-Fi/Bluetooth, 2º RS232/RS485/USB, salida analógica, 2 in/4out I/O Discreta
Dimensiones de envío	300 x 265 x 135 mm 11,8 x 10,4 x 5,3 pulgadas
Dimensiones del producto (con soporte)	11,4 x 9,3 x 3,1 pulg. / 290 x 235 x 80 mm
Peso neto aprox,	3,2 kg / 7,0 lb
Peso de envío aprox.	3,5 kg / 7,7 lb
Rango de temperatura de funcionamiento	14°F a 104°F / -10°C a 40°C





7.2 Tabla de geovalores

TABLA 6-1 GEOCÓDIGOS

		Elevation in meters										
		0	325	650	975	1300	1625	1950	2275	2600	2925	3250
		325	650	975	1300	1625	1950	2275	2600	2925	3250	3575
		Elevation in feet										
		0	1060	2130	3200	4260	5330	6400	7460	8530	9600	10660
		1060	2130	3200	4260	5330	6400	7460	8530	9600	10660	11730
Latitude		GEO value										
0°00'	5°46'	5	4	4	3	3	2	2	1	1	0	0
5°46'	9°52'	5	5	4	4	3	3	2	2	1	1	0
9°52'	12°44'	6	5	5	4	4	3	3	2	2	1	1
12°44'	15°06'	6	6	5	5	4	4	3	3	2	2	1
15°06'	17°10'	7	6	6	5	5	4	4	3	3	2	2
17°10'	19°02'	7	7	6	6	5	5	4	4	3	3	2
19°02'	20°45'	8	7	7	6	6	5	5	4	4	3	3
20°45'	22°22'	8	8	7	7	6	6	5	5	4	4	3
22°22'	23°54'	9	8	8	7	7	6	6	5	5	4	4
23°54'	25°21'	9	9	8	8	7	7	6	6	5	5	4
25°21'	26°45'	10	9	9	8	8	7	7	6	6	5	5
26°45'	28°06'	10	10	9	9	8	8	7	7	6	6	5
28°06'	29°25'	11	10	10	9	9	8	8	7	7	6	6
29°25'	30°41'	11	11	10	10	9	9	8	8	7	7	6
30°41'	31°56'	12	11	11	10	10	9	9	8	8	7	7
31°56'	33°09'	12	12	11	11	10	10	9	9	8	8	7
33°09'	34°21'	13	12	12	11	11	10	10	9	9	8	8
34°21'	35°31'	13	13	12	12	11	11	10	10	9	9	8
35°31'	36°41'	14	13	13	12	12	11	11	10	10	9	9
36°41'	37°50'	14	14	13	13	12	12	11	11	10	10	9
37°50'	38°58'	15	14	14	13	13	12	12	11	11	10	10
38°58'	40°05'	15	15	14	14	13	13	12	12	11	11	10
40°05'	41°12'	16	15	15	14	14	13	13	12	12	11	11
41°12'	42°19'	16	16	15	15	14	14	13	13	12	12	11
42°19'	43°26'	17	16	16	15	15	14	14	13	13	12	12
43°26'	44°32'	17	17	16	16	15	15	14	14	13	13	12
44°32'	45°38'	18	17	17	16	16	15	15	14	14	13	13
45°38'	46°45'	18	18	17	17	16	16	15	15	14	14	13
46°45'	47°51'	19	18	18	17	17	16	16	15	15	14	14
47°51'	48°58'	19	19	18	18	17	17	16	16	15	15	14
48°58'	50°06'	20	19	19	18	18	17	17	16	16	15	15
50°06'	51°13'	20	20	19	19	18	18	17	17	16	16	15
51°13'	52°22'	21	20	20	19	19	18	18	17	17	16	16
52°22'	53°31'	21	21	20	20	19	19	18	18	17	17	16
53°31'	54°41'	22	21	21	20	20	19	19	18	18	17	17
54°41'	55°52'	22	22	21	21	20	20	19	19	18	18	17
55°52'	57°04'	23	22	22	21	21	20	20	19	19	18	18
57°04'	58°17'	23	23	22	22	21	21	20	20	19	19	18
58°17'	59°32'	24	23	23	22	22	21	21	20	20	19	19
59°32'	60°49'	24	24	23	23	22	22	21	21	20	20	19
60°49'	62°90'	25	24	24	23	23	22	22	21	21	20	20
62°90'	63°30'	25	25	24	24	23	23	22	22	21	21	20
63°30'	64°55'	26	25	25	24	24	23	23	22	22	21	21
64°55'	66°24'	26	26	25	25	24	24	23	23	22	22	21
66°24'	67°57'	27	26	26	25	25	24	24	23	23	22	22
67°57'	69°35'	27	27	26	26	25	25	24	24	23	23	22
69°35'	71°21'	28	27	27	26	26	25	25	24	24	23	23
71°21'	73°16'	28	28	27	27	26	26	25	25	24	24	23
73°16'	75°24'	29	28	28	27	27	26	26	25	25	24	24
75°24'	77°52'	29	29	28	28	27	27	26	26	25	25	24
77°52'	80°56'	30	29	29	28	28	27	27	26	26	25	25
80°56'	85°45'	30	30	29	29	28	28	27	27	26	26	25
85°45'	90°00'	31	30	30	29	29	28	28	27	27	26	26

8. CUMPLIMIENTO DE NORMATIVAS

El cumplimiento de las siguientes regulaciones se indica con su marca indicativa en el producto.

Marca	Standard
	Este producto cumple con las normas estandarizadas vigentes de las Directivas de la UE 2011/65/EU (RoHS), 2014/30/EU (EMC), 2014/35/EU (LVD) y 2014/31/EU (NAWI). La Declaración de Conformidad con la UE está disponible online en www.ohaus.com/ce .
	Este producto cumple con la Directiva de la UE 2012/19/EU (WEEE) y 2006/66/EC (Baterías). Por favor, elimine o recicle este producto de acuerdo con las regulaciones locales en el punto de recogida correspondiente para equipos eléctricos y electrónicos. Para conocer las instrucciones de eliminación en Europa, dirijase a www.ohaus.com/weee .
	EN 61326-1
	UL Est. N.º 61010-1 CAN/CSA-C22.2 N.º 61010-1

Declaración de cumplimiento con la ISED en Canadá:

Este aparato digital Clase A cumple con la normativa canadiense ICES-003.

Certificado ISO 9001

El sistema de gestión que controla la producción de este producto está certificado por la norma ISO 9001.

9. APÉNDICES

9.1 Apéndice A

Salida continua MT Estándar

Un carácter de checksum puede ser activado o desactivado con la salida continua. Los datos consisten en 17 o 18 bits, tal y como aparece en la el estándar de salida continua

Tabla 9-1

Los datos de pesaje no significativos y los dígitos de datos de tara se transmiten como espacios. El modo de salida continua proporciona compatibilidad con los productos de OHAUS que requieren datos de pesaje en tiempo real. la el estándar de salida continua

Tabla 9-1 muestra el formato para la el estándar de salida continua

Tabla 9-1: Formato de estándar de salida continua

Carácter	Estado ²				Peso indicado ³				Peso de tara ⁴				17	18				
	1	2	3	4	5	6	7	8	9	10	11	12			13	14	15	16
Datos	STX ¹	SB-A	SB-B	SB-C	MSD	-	-	-	-	LSD	MSD	-	-	-	-	LSD	CR ⁵	CHK ⁶

Salida continua, notas de formato

1. ASCII Comienzo del carácter del texto (02 hex), siempre transmitido.
2. Bytes de estado A, B y C. Consulte la tabla 5-2, la tabla 5-3 y la tabla 5-4 para conocer los detalles de la estructura.
3. Peso mostrado. Carga bruta o neta. Seis dígitos, sin punto o signo para los decimales. Los ceros a la izquierda sin valor son reemplazados por espacios.
4. Peso de tara. Seis dígitos de datos de peso de tara. Sin punto decimal en el campo.
5. Retorno de carro ASCII <CR> carácter (0D hex).
6. Checksum, transmitido solo si está activado en la configuración. Checksum se utiliza para detectar errores en la transmisión de datos. Checksum se define como el complemento de 2 de los siete bits de bajo orden de la suma binaria de todos los caracteres anteriores al carácter de checksum, incluyendo los caracteres <STX> y <CR>.

Las tablas 9-2, 9-3 y 9-4 detallan los bytes de estado para la salida continua estándar.

Tabla 9-2: Definiciones de bytes de estado, bit A

Bits 2, 1, y 0			
2	1	0	Ubicación del punto decimal
0	0	0	XXXXX00
0	0	1	XXXXX0
0	1	0	XXXXXX
0	1	1	XXXXX.X
1	0	0	XXXX.XX
1	0	1	XXX.XXX
1	1	0	XX.XXXX
1	1	1	X.XXXXX
Bits 4 y 3			
4		3	Código de montaje
0		1	X1
1		0	X2
1		1	X5
Bit 5			Siempre = 1
Bit 6			Siempre = 0

Tabla 9-3: Definiciones de bytes de estado, bit B

Bits de estado	Function
Bit 0	Bruto = 0, Neto = 1
Bit 1	Signo, Positivo = 0, Negativo = 1
Bit 2	Fuera de rango = 1 (por encima de la capacidad o por debajo de cero)

Bits de estado	Function
Bit 3	Movimiento = 1, estable = 0
Bit 4	lb = 0, kg = 1 (ver también byte de estado C, bits 0, 1, 2)
Bit 5	Siempre = 1
Bit 6	Cero no capturado después del encendido = 1

Tabla 9-4: Definiciones de bytes de estado, bit C

Bits 2, 1, y 0			Descripción del peso
2	1	0	
0	0	0	lb o kg, seleccionado por byte de estado B, bit 4
0	0	1	gramos (g)
0	1	0	toneladas métricas (t)
0	1	1	onzas (oz)
1	0	0	sin usar
1	0	1	sin usar
1	1	1	toneladas (ton)
1	1	1	sin unidades
Bit 3			Solicitud de impresión = 1
Bit 4			Expandir datos x 10 = 1, Normal = 0
Bit 5			Siempre = 1
Bit 6			Siempre = 0

9.2 Apéndice V

Comandos MT-SICS

	Comando	Function
NIVEL 0	@	Reiniciar la báscula
	I0	Consulta de todos los comandos SICS disponibles
	I1	Consulta del nivel SICS y de las versiones SICS
	I2	Consulta de los datos de la báscula
	I3	Consulta de la versión del software de la báscula
	I4	Consulta del número de serie
	S	Enviar valor de peso estable
	SI	Enviar valor de peso inmediatamente
	SIR	Enviar valor de peso repetidamente
	Z	Configurar a cero la balanza
	ZI	Cero inmediatamente
NIVEL 1	D	Escribir texto en la pantalla
	DW	Pantalla de peso
	SR	Enviar y repetir valor de peso estable
	T	Tara
	TA	Valor de tara
	TAC	Borrar tara
	TI	Tara inmediata

	Comando	Function
NIVEL 2	C2	Calibrar con el peso de calibración externo
	C3	Calibrar con el peso de calibración interno
	I10	Consultar o configurar el ID de la balanza
	I11	Consulta del tipo de balanza
	P100	Imprimir en la impresora
	P101	Imprimir valor de peso estable
	P102	Imprimir valor de peso actual inmediatamente
	SIRU	Enviar valor de peso en la unidad actual inmediatamente y repetir
	SIU	Enviar valor de peso en la unidad actual inmediatamente
	SNR	Enviar valor de peso estable y repetir después de cada cambio de peso
	SNRU	Enviar valor de peso estable en la unidad actual y repetir después de cada cambio de peso
	SRU	Enviar valor de peso en la unidad actual y repetir
	ST	Después de presionar la tecla de transferencia, enviar el valor de peso estable
	SU	Enviar valor de peso estable en la unidad actual
NIVEL 3	M01	Modo de pesaje
	M02	Configuración de estabilidad
	M03	Función de autocero
	M19	Enviar peso de calibración
	M21	Consultar/establecer unidad de pesaje
	PRN	Imprimir en todas las interfaces de impresión
	RST	Reiniciar
	SFIR	Enviar valor del peso inmediatamente y repetir rápidamente
	SIH	Enviar valor del peso inmediatamente en alta resolución
	SWU	Cambiar unidad de peso
	SX	Enviar registro de datos estables
	SXI	Enviar registro de datos inmediatamente
	SXIR	Enviar registro de datos inmediatamente y repetir
	U	Cambiar unidad de peso

Table des matières

1.	INTRODUCTION	3
1.1.	MESURES DE SECURITE	3
1.2.	UTILISATION PREVUE.....	3
1.3.	VUE D'ENSEMBLE DES PIECES ET COMMANDES	4
1.4.	CARTE MERE	5
1.5.	FONCTIONS DE CONTROLE.....	6
2.	INSTALLATION	9
2.1	DEBALLAGE.....	9
2.2	CONNEXIONS EXTERNES.....	9
2.2.1	Base de balance avec connecteur EasyConnect™.....	9
2.2.2	Entrée d'alimentation vers i-DT61PW.....	9
2.2.3	Alimentation secteur vers i-DT61XWE.....	9
2.3	CONNEXIONS INTERNES	9
2.3.1	Ouverture du boîtier.....	9
2.3.2	Base de balance sans connecteur EasyConnect™.....	11
2.3.3	Câble d'interface de communication vers i-DT61PW.....	14
2.3.4	Câble d'interface RS232 vers i-DT 61XWE.....	15
2.4	SUPPORT DE MONTAGE	15
3.	FONCTIONNEMENT.....	16
3.1	ACTIVATION / DESACTIVATION DE LA BALANCE	16
3.2	MODE DE PESEE.....	16
3.2.1	Entrez dans le mode et commencez à peser	16
3.2.2	Accumulation et statistiques.....	16
3.2.3	Vérifier.....	17
3.2.4	Paramètres de l'application	18
3.3	MODE DE COMPTAGE	19
3.3.1	Accédez au mode	19
3.3.2	Mettre en place un APW.....	19
3.3.3	Commencer à compter.....	19
3.3.4	Paramètres de l'application	19
3.4	MODE DE POURCENTAGE.....	20
3.4.1	Accédez au mode	20
3.4.2	Établir un poids de référence.....	20
3.4.3	Démarrer la pesée en pourcentage.....	20
3.4.4	Paramètres de l'application	20
3.5	MODE DYNAMIQUE	21
3.5.1	Accédez au mode	21
3.5.2	Démarrer le pesage dynamique.....	21
3.5.3	Paramètres de l'application	21
3.6	MODE DE REMPLISSAGE	22
3.6.1	Accédez au mode	22
3.6.2	Commencer le remplissage	22
3.6.3	Reprendre et suspendre le remplissage	22
3.6.4	Affichage de l'écran à matrice de points.....	22
3.6.5	Paramètres de l'application	23
4.	RÉGLAGES DU MENU	24
4.1	NAVIGATION DANS LES MENUS	24
4.1.1	Menu utilisateur.....	24
4.1.2	Navigation par bouton.....	25
4.2	MENU D'ETALONNAGE.....	26
4.2.1	Calibrage initial.....	26
4.2.2	Étalonnage du zéro [2E-0].....	26
4.2.3	Étalonnage du span [5P87].....	26
4.2.4	Étalonnage de linéarité [L #7].....	27
4.2.5	Réglage GÉO [GE0].....	27
4.2.6	Test d'étalonnage [L.5E5E].....	28

4.2.7	<i>End Cal [End]</i>	28
4.3	MENU DES PARAMETRES	29
4.4	MENU DE LECTURE	33
4.5	MENU DE L'UNITE	35
4.6	MENU GLP / GMP	35
4.7	COMMUNICATION	36
4.7.1	<i>Menu RS232</i>	36
4.7.2	<i>Menu d'impression</i>	38
4.7.3	<i>Configuration RS485</i>	41
4.7.4	<i>Configuration Ethernet</i>	41
4.7.5	<i>Configuration analogique</i>	41
4.8	MEMOIRE	41
4.8.1	<i>Menu mémoire (pour le modèle i-DT61PW)</i>	41
4.8.2	<i>Mémoire USB (pour le modèle i-DT61XWE)</i>	41
4.8.3	<i>Mémoire Alibi (pour le modèle i-DT61XWE)</i>	42
4.9	E/S DISCRETE (POUR LE MODELE I-DT61XWE)	47
4.9.1	<i>Type d'E/S</i>	47
4.9.2	<i>Entrée</i>	48
4.9.3	<i>Sortie</i>	48
4.10	CONFIGURATION DES TOUCHES DE VERROUILLAGE	48
4.11	BIBLIOTHEQUE (POUR LE MODELE I-DT61XWE)	49
4.12	UTILISATEUR (POUR LE MODELE I-DT61XWE)	51
4.13	USB (POUR LE MODELE I-DT61XWE)	53
4.13.1	<i>Clé USB</i>	53
4.13.2	<i>RFID</i>	53
4.13.3	<i>code à barre</i>	54
4.13.4	<i>Clavier</i>	54
4.13.5	<i>Dongle Wi-Fi / Bluetooth (en option)</i>	54
5.	APPROUVÉ	57
5.1	REGLAGES	57
5.2	VERIFICATION	57
5.3	SCELLAGE	57
6.	MAINTENANCE	59
6.1	NETTOYAGE	59
6.1.1	<i>Nettoyage du modèle i-DT61PW</i>	59
6.1.2	<i>Nettoyage du modèle i-DT61XWE</i>	59
6.2	DEPANNAGE	60
6.3	INFORMATIONS SUR LE SERVICE	61
7.	DONNÉES TECHNIQUES	61
7.1	SPECIFICATIONS	61
7.2	TABLEAU DES VALEURS GEOGRAPHIQUES	64
8.	CONFORMITÉ	65
9.	ANNEXES	66
9.1	ANNEXE A	66
9.2	ANNEXE B :	68

1. INTRODUCTION

Ce manuel contient des consignes d'installation, utilisation et maintenance des indicateurs i-DT61PW et i-DT61XWE. Veuillez lire entièrement ce manuel avant l'installation et l'utilisation.

1.1. Mesures de sécurité

Définition des avertissements et symboles des signaux

Les consignes de sécurité sont signalées par des mots indicateurs et des symboles d'avertissement. Ceux-ci indiquent des problèmes de sécurité et des avertissements. Le non-respect des consignes de sécurité peut entraîner des blessures, dommages à l'instrument, dysfonctionnements et faux résultats.

AVERTISSEMENT	Pour une situation dangereuse à risque moyen, pouvant entraîner des blessures graves ou la mort si elle n'est pas évitée.
MISE EN GARDE	Pour une situation dangereuse à faible risque, entraînant des dommages à l'appareil ou au bien ou une perte de données, ou des blessures mineures ou moyennes si elles ne sont pas évitées.
ATTENTION	Pour des informations importantes sur le produit. Peut endommager l'équipement s'il n'est pas évité.
REMARQUE	Pour des informations utiles sur le produit.

Symboles d'avertissement



Risque général



Risque d'explosion



Risque de choc électrique.

Mesures de sécurité



MISE EN GARDE : Lisez tous les avertissements de sécurité avant d'installer, effectuer des connexions ou réparer cet équipement. Le non-respect de ces avertissements peut entraîner des blessures corporelles et / ou des dommages matériels. Conservez toutes les instructions pour référence future.

- Avant de mettre sous tension, vérifiez que la plage de tension d'entrée et le type de fiche de l'adaptateur secteur sont compatibles avec l'alimentation secteur locale.
- Évitez de placer l'équipement de telle sorte qu'il soit difficile d'atteindre la connexion électrique.
- Connectez le cordon d'alimentation uniquement à une prise électrique compatible mise à la terre.
- Assurez-vous que le cordon d'alimentation ne constitue pas un obstacle ou un risque de trébuchement potentiel.
- Faites fonctionner l'équipement uniquement dans les conditions ambiantes indiquées dans ces instructions.
- L'équipement est destiné à une utilisation en intérieur uniquement.
- N'utilisez pas l'équipement dans des environnements dangereux ou instables.
- Ne placez pas l'équipement à l'envers sur la plate-forme.
- Utilisez uniquement des accessoires et périphériques approuvés.
- Débranchez l'équipement de l'alimentation électrique lors du nettoyage.
- L'entretien ne doit être effectué que par un personnel autorisé.



AVERTISSEMENT : Ne travaillez jamais dans un environnement qui présente des risques d'explosion ! Le boîtier de l'équipement n'est pas étanche aux gaz. (Risque d'explosion dû à la formation d'étincelles, corrosion causée par la pénétration de gaz).



AVERTISSEMENT : Des risques de choc électrique existent à l'intérieur du boîtier. Le boîtier ne doit être ouvert que par un personnel autorisé et qualifié. Retirez toutes les connexions électriques de l'unité avant de l'ouvrir.

1.2. Utilisation prévue

Cet instrument est destiné à être utilisé dans l'industrie légère. Il ne doit être utilisé que pour mesurer les paramètres décrits dans ce mode d'emploi. Tout autre type d'utilisation et de fonctionnement au-delà des limites des spécifications techniques sans le consentement écrit de OHAUS, est considéré comme non prévu. Cet instrument est conforme aux normes actuelles de l'industrie et aux réglementations de sécurité reconnues. Cependant, il peut constituer un danger pendant l'utilisation. Si l'instrument n'est pas utilisé conformément à ce mode d'emploi, son niveau de protection prévu peut être réduit.

1.3. Vue d'ensemble des pièces et commandes

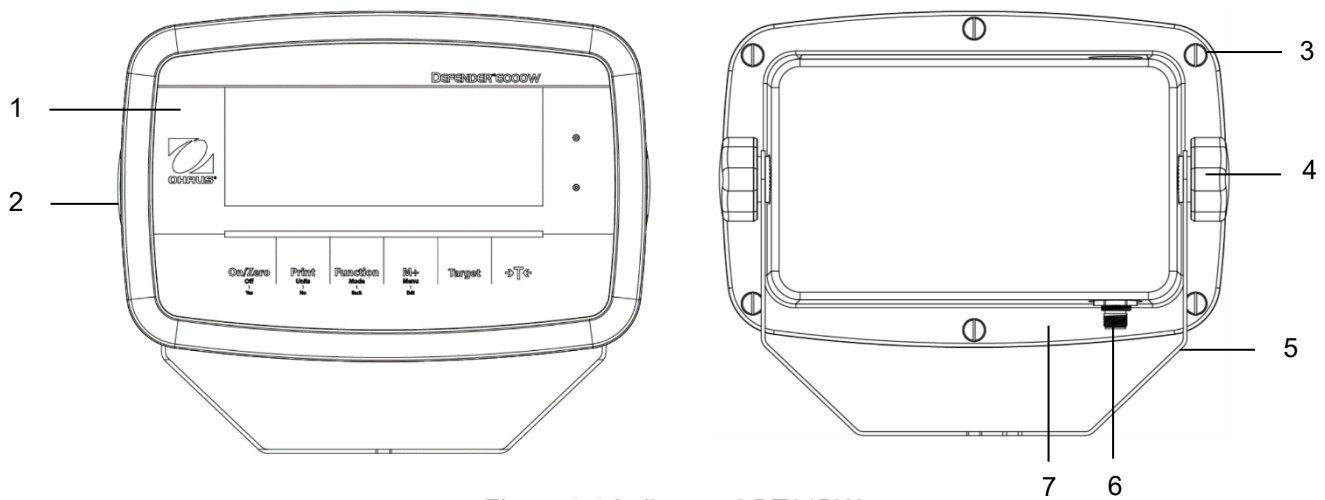


Figure 1-1 Indicateur i-DT61PW

Article	Description
1	Panneau de commande
2	Boîtier avant
3	Vis (6)
4	Boutons de réglage (2)
5	Boîtier du bas
6	Connecteur de cellule de charge
7	Boîtier arrière

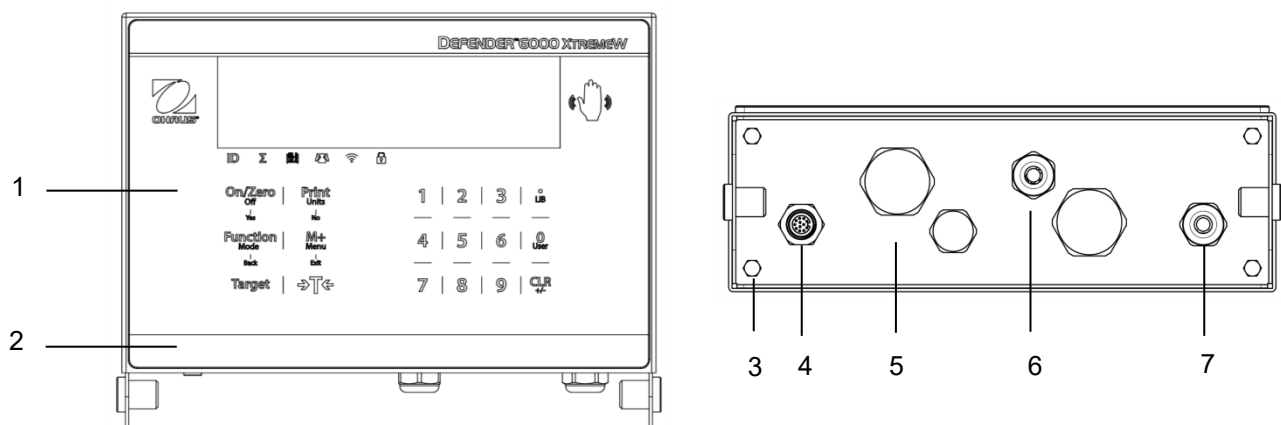
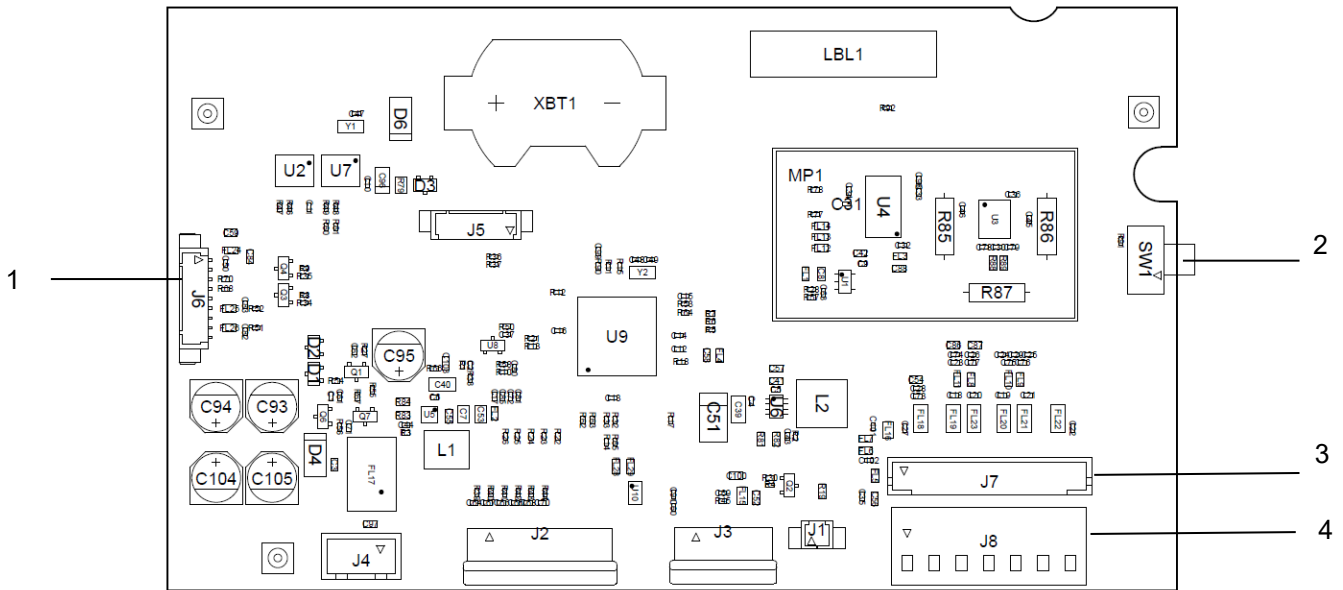


Figure 1-2 Indicateur i-DT61XWE

Article	Description
1	Panneau de commande
2	Boîtier avant
3	Vis (4)
4	Connecteur de cellule de charge
5	Boîtier arrière
6	Décharge de traction pour l'option
7	Cordon d'alimentation

1.4. Carte mère



.Figure 1-3 i-DT61PW Carte mère

Article	Description
1	Connecteur de communication IR (J6)
2	Commutateur de sécurité (SW1)
3	Connecteur de cellule de charge (J7)
4	Bornier de cellule de charge (J8)

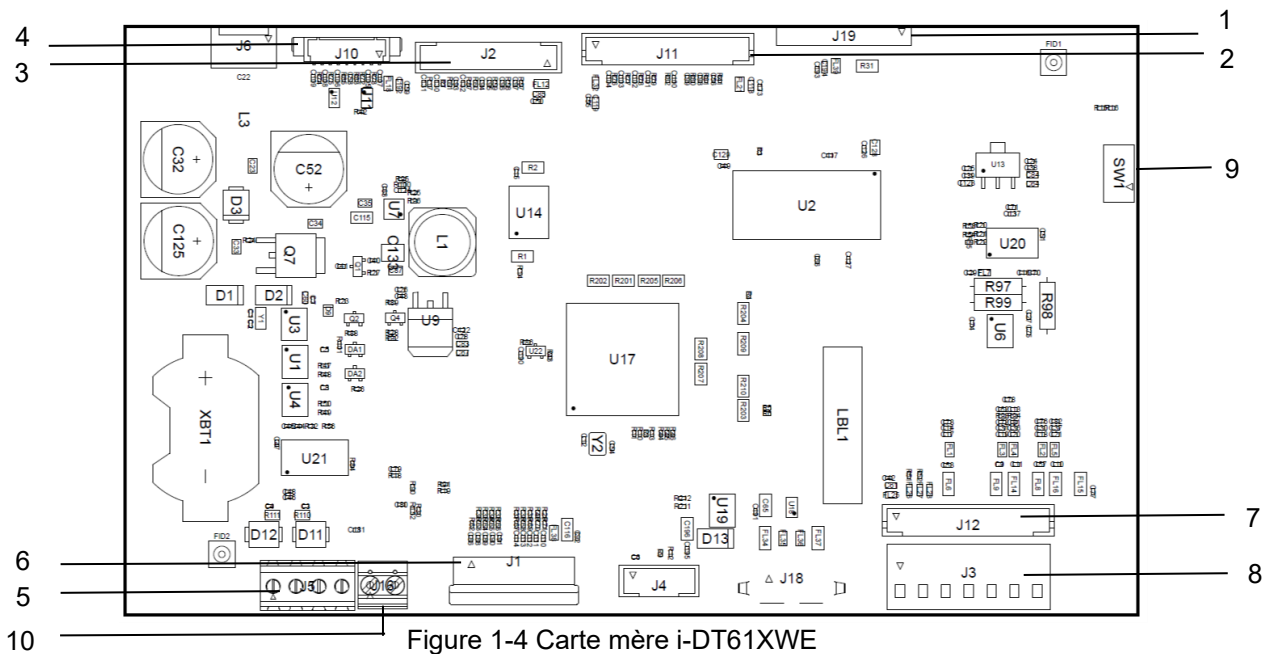


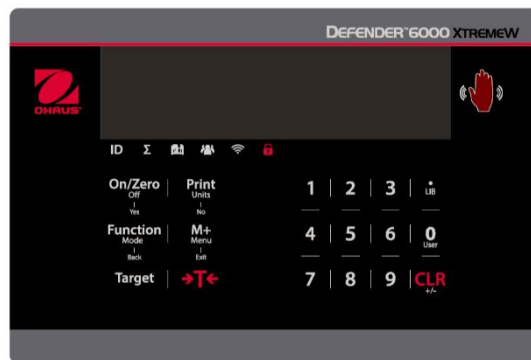
Figure 1-4 Carte mère i-DT61XWE

Article	Description	Article	Description
1	Connecteur de la carte mémoire Alibi (J19)	6	Connecteur clavier (J1)
2	Connecteur de périphérique discrète E/S / analogique / RS232-RS485-USB (J11)	7	Connecteur de cellule de charge (J12)
3	Connecteur de tableau d'affichage (J2)	8	Bornier de cellule de charge (J3)
4	Connecteur Ethernet (J10)	9	Connecteur du commutateur de sécurité (SW1)
5	Connecteur RS232 (J5)	10	Entrée discrète0 (J16)

1.5. Fonctions de contrôle



Panneau de commande i-DT61PW



Panneau de commande i-DT61XWE

Bouton	On/Zero Off Yes	Print Units No	Function Mode Back	M+ Menu Exit	Target	→T←
Fonction primaire (Courte pression)	On/Zero Si la borne est Off, appuyez pour allumer ; Si la borne est On, appuyez pour régler le point zéro.	Print Envoie la valeur actuelle aux ports COM sélectionnés si AUTOPRINT est désactivé.	Function Lance un mode d'application.	M+ Accumule le poids ou affiche les informations accumulées sans charge sur le plateau.	Target Définit la valeur limite inférieure / supérieure du contrôle.	Tare Entre / efface une valeur de tare ; Lorsque les données d'accumulation sont affichées, appuyez pour les effacer.
Fonction secondaire (Longue pression)	Off Si la borne est On, appuyez pour l'éteindre.	Units Change l'unité de pesée.	Mode Permet de changer le mode d'application.	Menu Ouvre le menu utilisateur.	Target Affiche la valeur limite inférieure / supérieure du contrôle.	Tare Affiche le poids de tare.
Fonction du menu (Courte pression)	Yes Accepte le réglage actuel sur l'écran.	No Passe au menu ou à l'élément de menu suivant. Rejette le réglage actuel sur l'écran et passe au prochain réglage disponible.	Back Revient à l'élément de menu précédent.	Exit Quitte le menu utilisateur. Annule l'étalonnage en cours.		

Remarques :

- Courte pression : appuyez moins d'une seconde.
- Longue pression : appuyez et maintenez enfoncé pendant plus de 2 secondes.

Clavier numérique (i-DT61XWE)

Fonction primaire (Courte pression)	1-9 Entrez des valeurs numériques.	. Entrez la virgule (,).	0 Entrez les valeurs numériques 0.	CLR Efface la valeur saisie. Efface un APW existant. Lorsque les données d'accumulation sont affichées, appuyez pour les effacer.
Fonction secondaire (Longue pression)		LIB Recherche les éléments de la bibliothèque à l'aide des touches numériques.	User Recherche les utilisateurs à l'aide des touches numériques.	+/- Bascule entre la valeur positive et négative.

Remarque : pour le modèle i-DT61XWE, appuyez simultanément sur les boutons et **CLR** pendant trois secondes pour verrouiller tous les boutons. Répétez la même procédure pour déverrouiller tous les boutons.

Lorsque tous les boutons sont verrouillés, l'icône s'allume.

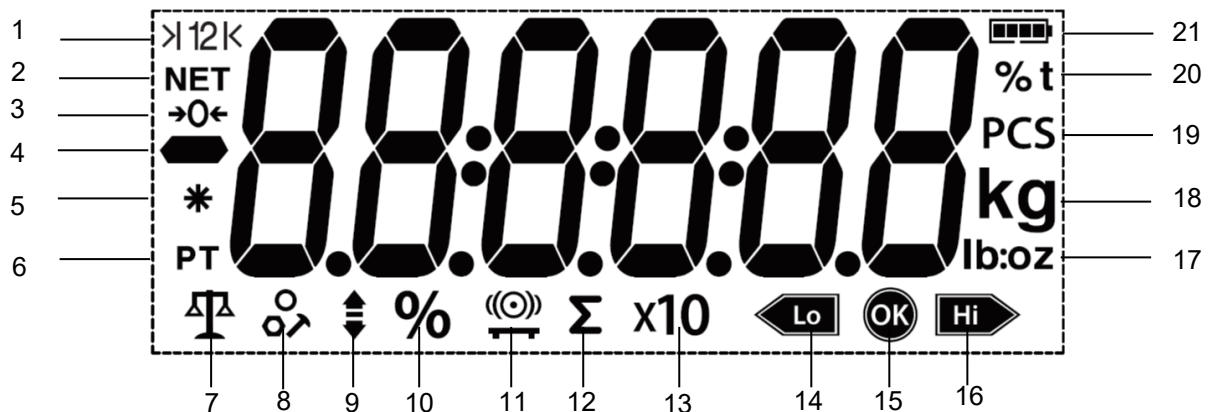


Figure 1-5 Écran i-DT61PW

Article	Description	Article	Description
1	Symbole de plage (non utilisé)	12	Symbole d'accumulation
2	Symbole de NET	13	Symbole d'extension de résolution (non utilisé)
3	Symbole du centre de Zéro	14	Vérifier le symbole inférieur de pesage
4	Symbole négatif	15	Symbole acceptable
5	Symbole de poids stable	16	Vérifier le symbole de pesage supérieur
6	Tare pré-réglée, symboles de tare	17	Livre, once, Livre : symboles de l'once
7	Symbole du mode de pesée	18	symboles de kilogramme, gramme
8	Symbole du mode de comptage	19	Symbole des pièces
9	Vérifier le symbole du mode de pesage	20	Symboles de pourcentage, tonne (non utilisés)
10	Symbole du mode de pesée en pourcentage	21	Symbole de la batterie
11	Symbole du mode de pesage dynamique		

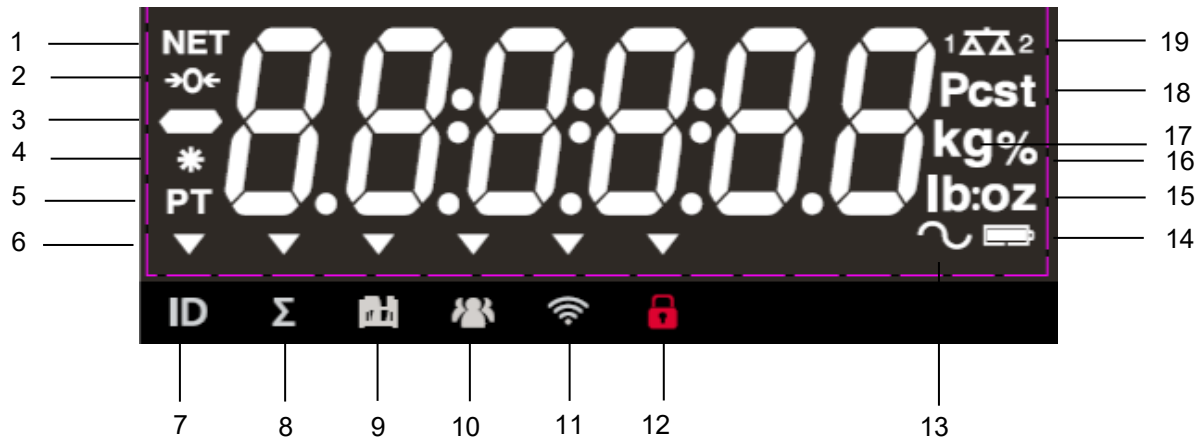


Figure 1-6 Écran i-DT61XWE

Article	Description	Article	Description
1	Symbole de NET	11	Symbole de WIFI
2	Symbole du centre de Zéro	12	Symbole de verrouillage
3	Symbole négatif	13	Symbole de l'état dynamique (tilde)
4	Symbole de poids stable	14	Symbole de batterie (non utilisé)
5	Tare pré-réglée, symboles de tare	15	Livre, once, Livre : symboles de l'once
6	Symboles de pointeur	16	Symbole de pourcentage
7	Symbole d'identification	17	symboles de kilogramme, gramme
8	Symbole d'accumulation	18	Symboles des pièces, de la tonne (non utilisés)
9	Symbole de la bibliothèque	19	Symbole de la balance (non utilisé)
10	Symbole de l'utilisateur		

2. INSTALLATION

2.1 Déballage

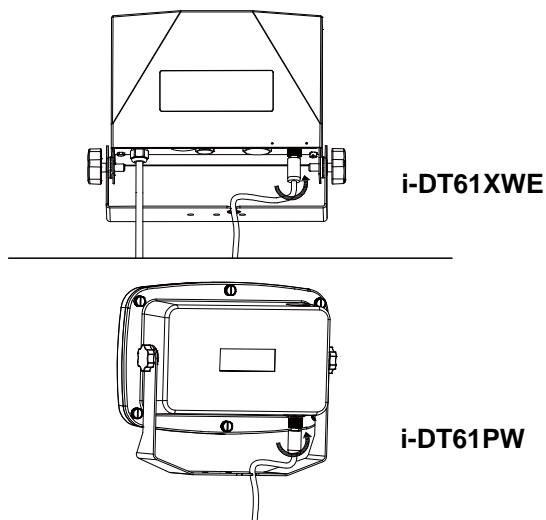
Déballer les éléments suivants :

- Indicateur i-DT61PW ou i-DT61XWE
- 6 cellules de batteries sèches de taille D (i-DT61PW uniquement)
- Support de montage
- Boutons (2)
- Guide d'installation rapide
- Manuel d'instructions

2.2 Connexions externes

2.2.1 Base de balance avec connecteur EasyConnect™

Pour connecter la base de balance OHAUS avec le connecteur EasyConnect™ à la borne, branchez le connecteur de la base sur le connecteur de cellule de charge externe situé en bas de la borne. Tournez ensuite la bague de verrouillage du connecteur de base dans le sens des aiguilles d'une montre. Consultez l'illustration



suivante pour plus de détails.

2.2.2 Entrée d'alimentation vers i-DT61PW

Utilisez 6 cellules de batteries sèches de taille D. Pendant le fonctionnement de la batterie, le symbole de celle-ci indique son état.

	Batterie 5 % ~ 25 % restante
	Batterie 25 % ~ 50 % restante
	Batterie 50 % ~ 75 % restante
	Batterie 75 % ~ 100 % restante

2.2.3 Alimentation secteur vers i-DT61XWE

Branchez la fiche secteur sur une prise électrique.

2.3 Connexions internes

Certaines connexions nécessitent l'ouverture du boîtier.

2.3.1 Ouverture du boîtier



MISE EN GARDE : RISQUE DE CHOC ÉLECTRIQUE. ENLEVEZ TOUTES LES CONNEXIONS D'ALIMENTATION À L'INDICATEUR AVANT DE RÉPARER OU DE FAIRE DES RACCORDS INTERNES. LE BOÎTIER NE DOIT ÊTRE OUVERT QUE PAR UN AGENT AUTORISÉ ET QUALIFIÉ, COMME UN TECHNICIEN ÉLECTRIQUE.

i-DT61PW

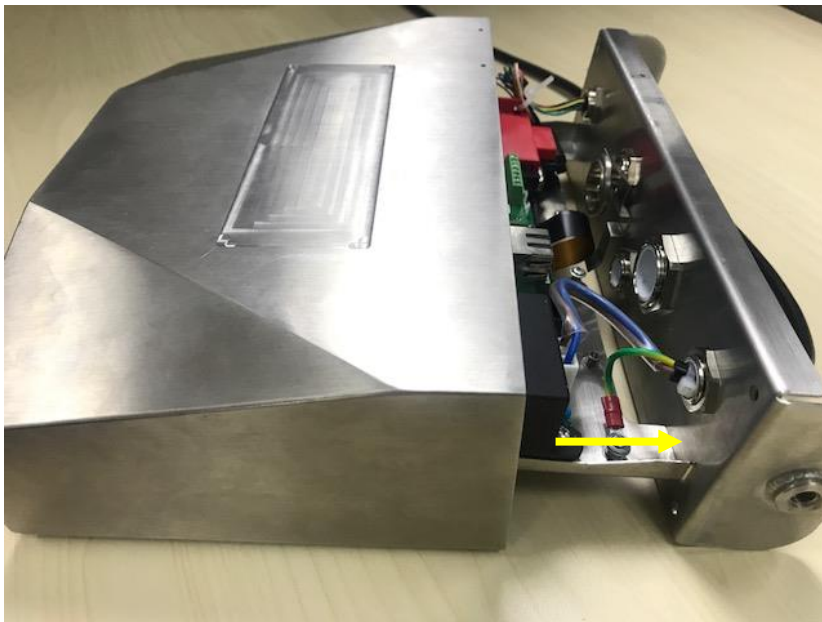
1. Retirez les six vis cruciformes du boîtier arrière.
2. Retirez le boîtier avant. Veillez à ne pas perturber les connexions internes.
3. Une fois toutes les connexions effectuées, remettez le boîtier avant en place.

i-DT61XWE

1. Retirez les quatre vis à tête hexagonale du boîtier du bas.



2. Ouvrez le boîtier en tirant délicatement le boîtier du bas vers l'arrière.



3. Une fois tous les raccords effectués, remettez boîtier du bas en place.

Remarque : Les vis doivent être serrées à un couple de 2,5 N • m (20-25 in-lb) pour assurer l'étanchéité.

2.3.2 Base de balance sans connecteur EasyConnect™

Pour connecter des bases (qui n'ont pas de connecteur EasyConnect™) à un i-DT61PW ou un i-DT61XWE, un kit de presse-étoupe de cellule de charge (P / N 30379716) est disponible comme accessoire.

Retrait du connecteur et faisceau de câbles préinstallés de la cellule de charge

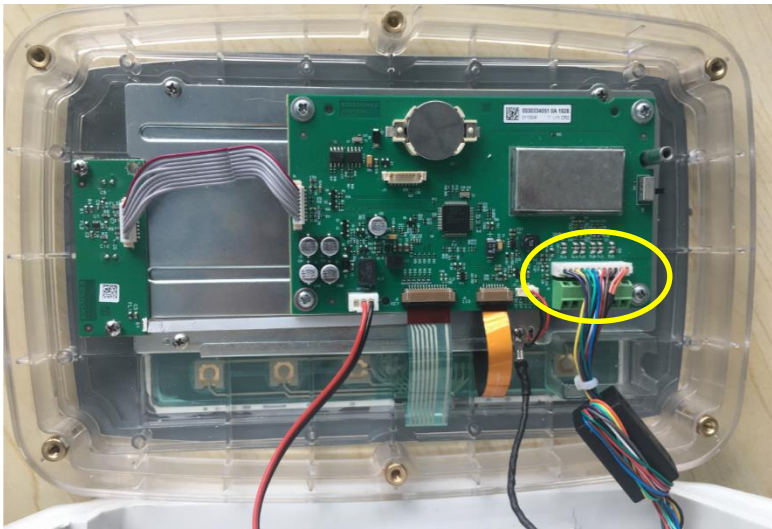
Avant d'effectuer les raccords, retirez le connecteur et le faisceau de câbles préinstallés de la cellule de charge en suivant les étapes suivantes.

i-DT61PW

1. Retirez les 6 vis à tête Phillips et ouvrez le boîtier arrière en tirant avec précaution le boîtier avant vers l'avant.
2. Débranchez les connecteurs blancs de la cellule de charge du boîtier principal (deux cercles).



3. Ouvrez le boîtier avant en retirant les 12 vis à tête Phillips.
4. Débranchez les connecteurs blancs de la cellule de charge de la carte PCBA principale.

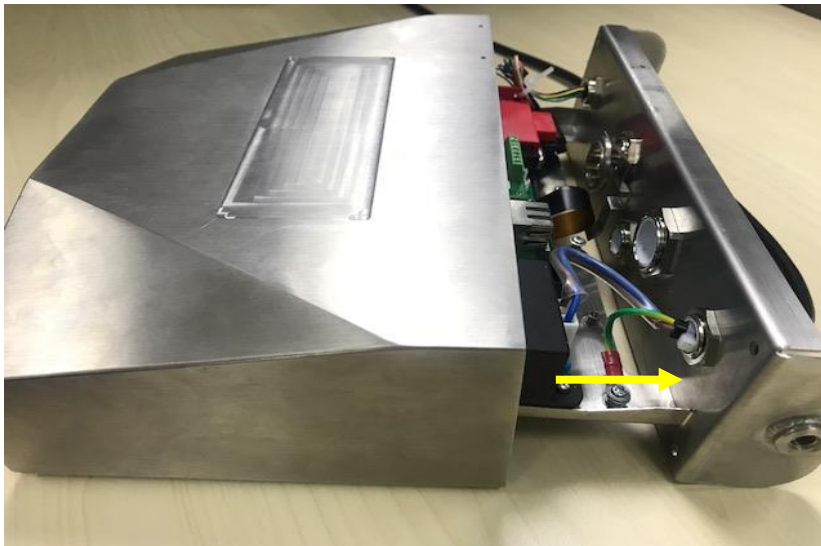


i-DT61XWE

1. Placez la borne vers le bas et dévissez les vis marquées dans le graphique suivant.



2. Tirez sur le bas de la borne.



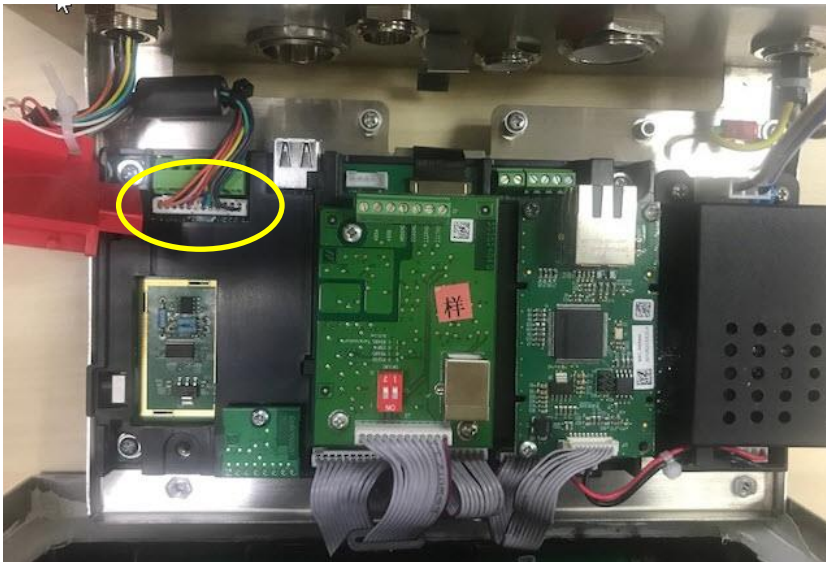
3. Utilisez un tournevis pour dévisser le couvercle étanche.



4. Tirez légèrement la partie saillante du couvercle étanche vers l'avant pour le libérer.



5. Retirez le couvercle étanche, puis débranchez les connecteurs blancs de la cellule de charge.



Installation du câble et des connecteurs de la cellule de charge

Afin de respecter certains plafonds d'émission de bruit électrique et protéger les i-DT61PW et i-DT61XWE des influences extérieures, il est nécessaire d'installer un noyau en ferrite sur le câble de la cellule de charge connecté à la borne. Le noyau en ferrite est inclus avec la borne.

Pour installer la ferrite, acheminez simplement le câble à travers le centre du noyau, puis passez une enveloppe autour de l'extérieur du noyau et acheminez à nouveau le câble par le centre. Le câble complet ou les fils individuels peuvent être enroulés à travers la ferrite. Cela doit être fait aussi près que possible du boîtier. Voir la figure 2-1.



Figure 2-1

Connexions du câblage de la carte principale

Une fois le boîtier i-DT61PW et i-DT61XWE ouvert, les raccords peuvent être effectués aux borniers de la carte principale, comme illustré à la Figure 2-2.

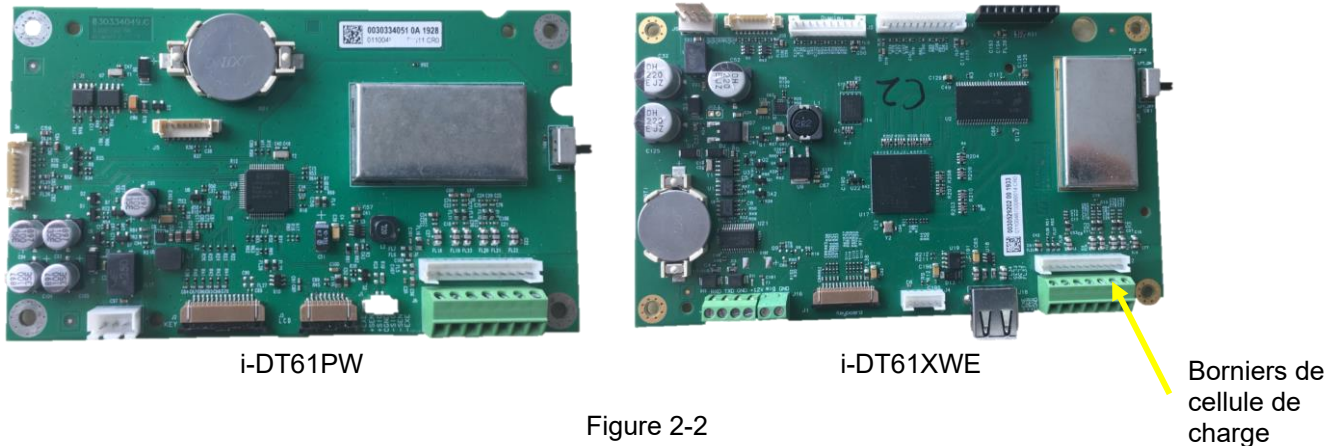
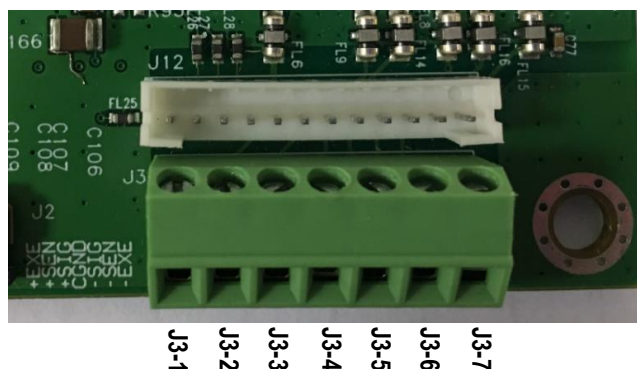


Figure 2-2

Connexions de cavalier

Les indicateurs i-DT61PW et i-DT61XWE sont conçus pour prendre en charge les cellules de charge 2 mV / V et 3 mV / V à partir du même circuit. Un cavalier de sélection de puissance de sortie de cellule de charge n'est pas nécessaire.

La Figure 2-3 montre les définitions de bornes pour les borniers des cellules de charge analogiques. Notez que lorsque vous utilisez des cellules de charge à quatre fils, des cavaliers doivent être placés entre les bornes + Excitation et + Sense et entre les bornes -Excitation et -Sense.



Broche	Connexion
J3-1	+EXC
J3-2	+SEN
J3-3	+SIN
J3-4	GND
J3-5	-SIN
J3-6	-SEN
J3-7	-EXC

Figure 2-3 Connexions des cavaliers

Une fois le câblage terminé, remplacez les vis du boîtier de l'indicateur. Assurez-vous que le presse-étoupe étanche est correctement serré.

2.3.3 Câble d'interface de communication vers i-DT61PW

Branchez le câble de communication IR (P / N : 30572910) sur le panneau avant de l'indicateur. Assurez-vous que les deux trous du module de câble d'interface correspondent aux deux boulons situés sur le panneau avant.

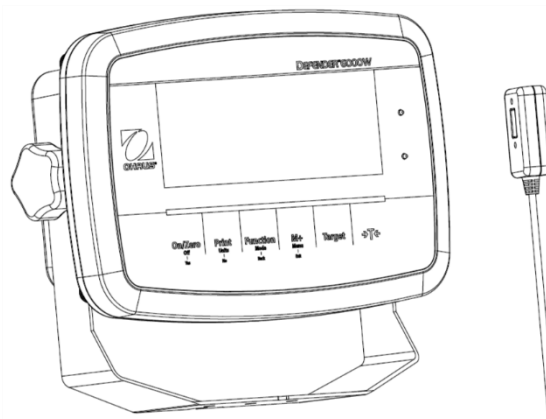


Figure 2-4

2.3.4 Câble d'interface RS232 vers i-DT 61XWE

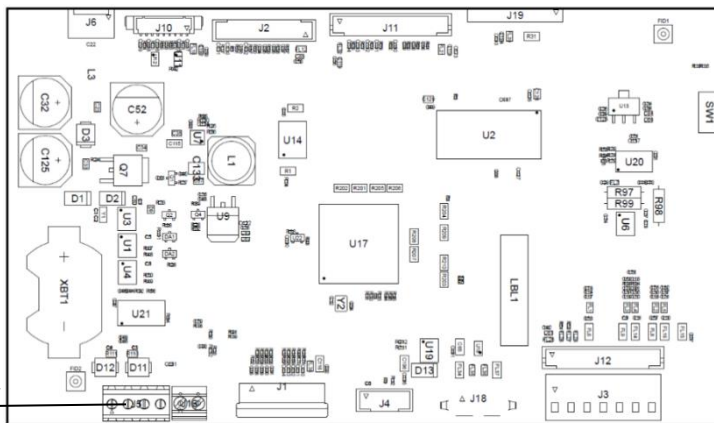
Faites passer le câble RS232 en option dans la décharge de traction et fixez-le au connecteur RS232 de la carte mère. Serrez la décharge de traction pour maintenir l'étanchéité. Veuillez vous référer à la Figure 2-7 pour la position du connecteur port série RXD TXD et GND.

Remarque :

- Veuillez vous référer à la section Ouverture du boîtier pour savoir comment ouvrir le boîtier de la borne.
- Pour plus de détails sur la fonction Entrée0 discrète, veuillez vous reporter à la section **E / S discrète (pour i-DT61XWE)** pour plus de détails .



Figure 2-5
Décharge de traction pour l'option



Connecteur RS232

Figure 2-6 Connecteur RS232 sur la carte mère

Entrée discrète0

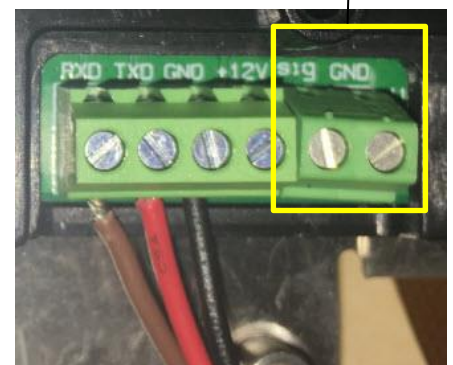


Figure 2-7
Connecteur RS232

2.4 Support de montage

Fixez le support à un mur ou à une table à l'aide d'attaches (non fournies) adaptées au type de surface de montage. Le support peut accueillir des vis de 6 mm (1/4 po) de diamètre maximum. Localisez les trous de montage comme indiqué sur les figures 2-8 et 2-9.

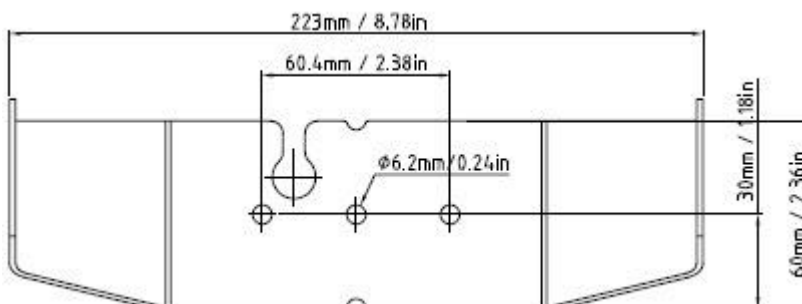


Figure 2-8 Dimensions du support de montage i-DT61PW

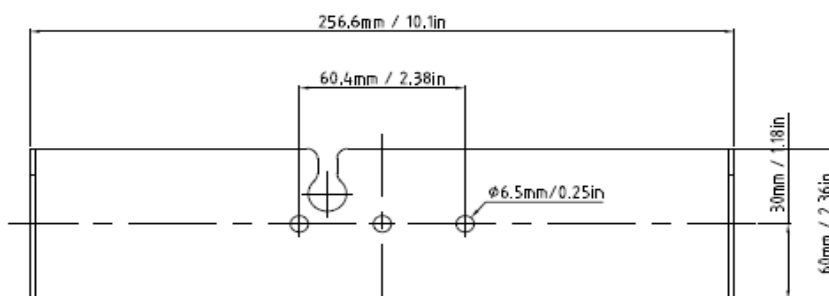


Figure 2-9 Dimensions du support de montage i-DT61XWE

3. FONCTIONNEMENT

3.1 Activation / désactivation de la balance

Pour activer la balance, appuyez sur le bouton **On / Zero Off** et maintenez-le enfoncé pendant 1 seconde. La balance effectue un test d'affichage, affiche momentanément la version du logiciel, puis entre en mode de pesage actif.


Pour désactiver la balance, appuyez et maintenez le bouton **On / Zero Off** jusqu'à ce que **OFF** s'affiche.

3.2 Mode de pesée

Utilisez cette application pour déterminer le poids des articles dans l'unité de mesure sélectionnée. Ce mode est le réglage d'usine par défaut.

3.2.1 Entrez dans le mode et commencez à peser

Pour accéder au mode de pesage à partir de n'importe quel mode d'application :

1. Appuyez sur le bouton **Mode** et maintenez-le enfoncé jusqu'à ce que **WEIGH** s'affiche.
2. Si nécessaire, placez un récipient vide sur le plateau et appuyez sur le bouton  pour tarer.
3. Ajoutez l'échantillon dans le plateau ou le récipient. L'écran affiche le poids de l'échantillon.

Remarque : Veuillez consulter la section **Contrôle** pour savoir comment utiliser Contrôle en mode Pesage.

3.2.2 Accumulation et statistiques

La fonction Accumulation permet la totalisation manuelle ou automatique des valeurs affichées. Les données statistiques (poids total accumulé, poids min / max, pièces, pourcentage et nombre total d'échantillons) sont stockées en mémoire pour examen et impression. L'accumulation fonctionne avec chaque mode d'application à l'exception du remplissage, mais les données d'accumulation seront effacées lors du changement de mode.

3.2.2.1 Réglages

Il existe quatre options d'accumulation :

- Off (**OFF**) : désactive la fonction d'accumulation.
- Manuel (**MANUAL**) : appuyez sur le bouton **M+** pour effectuer l'accumulation manuellement.
- Auto (**AUTO**) : la balance effectuera automatiquement l'accumulation.
- Accepter (**ACCEPT**) : la balance effectuera automatiquement l'accumulation en mode **Vérifier** lorsque le poids sur le plateau est acceptable entre les valeurs inférieure et supérieure que vous avez définies.

Pour définir les options d'accumulation :

1. Appuyez longuement sur le bouton **Menu** jusqu'à ce que vous voyiez **C.A.L.**
2. Appuyez brièvement sur le bouton **No** une fois. Lorsque vous voyez **S.E.T.U.P.**, appuyez sur le bouton **Yes**.
3. Appuyez brièvement sur le bouton **No** plusieurs fois pour parcourir jusqu'à ce que vous voyiez **ACCUM**. Appuyez sur le bouton **Yes**.
4. Appuyez brièvement plusieurs fois sur le bouton **No** pour sélectionner l'option d'accumulation souhaitée. Les quatre options ont été présentées ci-dessus. Appuyez ensuite sur le bouton **Yes** pour confirmer.
5. Appuyez sur le bouton **Exit** pour quitter.

3.2.2.2 Accumulation

Manuel

Placez l'article sur la balance et appuyez sur le bouton **M+** pour ajouter le poids à l'accumulation. Le pointeur Σ continuera de clignoter jusqu'à ce que le poids soit retiré et que la plate-forme soit stable.

Auto

Placez l'article sur la balance. La valeur affichée est accumulée automatiquement. Le pointeur Σ continuera de clignoter jusqu'à ce que le poids soit retiré et que la plate-forme soit stable.

Accepter

Placez l'article sur la balance en mode Vérification. La valeur affichée est accumulée automatiquement lorsque le poids est acceptable entre les valeurs inférieure et supérieure que vous avez définies.

3.2.2.3 Afficher et effacer les données statistiques

Une fois le plateau effacé, appuyez sur le bouton **M+** pour afficher le résultat de l'accumulation et des statistiques.

Pour effacer les données d'accumulation, appuyez sur le bouton CLR de la borne i-DT61XWE ou sur le bouton



de la borne i-DT61PW pendant que les informations statistiques sont affichées. Lorsque l'écran affiche **CLr.ACC**, appuyez sur le bouton **Yes** pour effacer les données enregistrées et revenir au mode actuel.

Remarques :

- L'article doit être retiré du plateau avant que l'article suivant puisse être accumulé.
- Seuls les poids stables sont enregistrés.
- Le changement de mode effacera les données d'accumulation stockées.
- Lorsque Approuvé est activé : pour NTEP, le poids brut et le poids net ne peuvent pas être ajoutés au même total. Si le premier poids est enregistré en brut, les futurs doivent être enregistrés de la même manière. Il en va de même pour le poids net.

3.2.3 Vérifier

Utilisez cette application pour comparer le poids des articles à une fourchette de poids cible. Ce mode est disponible pour le pesage, comptage, pourcentage et dynamique.

3.2.3.1 Définir les limites de contrôle

i-DT61PW

1. Appuyez sur le bouton **Target** à partir du mode Pesage, Comptage, Pourcentage ou Dynamique pour définir les limites de contrôle.
2. L'écran affiche **UNdEr**.
3. Appuyez sur le bouton **Yes** pour modifier la valeur inférieure.
4. S'il y a une valeur inférieure enregistrée de la dernière fois, l'écran l'affichera. Par exemple : 1,0 kg.
 - Appuyez sur le bouton **Yes** si vous souhaitez utiliser cette valeur. Ensuite, l'écran affiche **OUEr**.
 - Appuyez sur le bouton **No** si vous ne souhaitez pas utiliser cette valeur et passez à l'étape 6.
5. S'il n'y a pas de valeur enregistrée, l'écran affiche **000000**.
6. Pour définir une nouvelle valeur inférieure, appuyez brièvement sur le bouton **No** plusieurs fois jusqu'à ce que la valeur souhaitée apparaisse. Appuyez brièvement sur le bouton **Yes** pour accepter la valeur et passer au chiffre suivant. Répétez le processus jusqu'à ce que tous les chiffres soient corrects. Appuyez sur le bouton **Yes** pour accepter la valeur. Ensuite, l'écran affiche **OUEr**.
7. Répétez les étapes 2 à 6 pour définir la valeur supérieure.
8. Si les valeurs que vous avez définies ne sont pas valides, l'écran affichera **--NO--** et réinitialisera.
9. Si les valeurs que vous avez définies sont valides, l'affichage passera à l'écran de contrôle de pesée.

DT61XWE

1. Appuyez sur le bouton **Target** à partir du mode Pesage, Comptage, Pourcentage ou Dynamique pour définir les limites de contrôle.
2. L'écran affiche **UNdEr**.
3. Appuyez sur le bouton **Yes** pour modifier la valeur inférieure.
4. S'il y a une valeur inférieure enregistrée de la dernière fois, l'écran l'affichera.
 - Appuyez sur le bouton **Yes** si vous souhaitez utiliser cette valeur.
 - Appuyez sur le bouton **No** si vous ne souhaitez pas utiliser cette valeur ou si vous n'avez pas de valeur enregistrée. Saisissez celle dont vous avez besoin à l'aide du clavier numérique. Appuyez sur le bouton **Yes** pour accepter la valeur inférieure.
5. L'écran affichera **OUEr**.
6. Répétez les étapes 2 et 3 pour définir la valeur supérieure.
7. Si les valeurs que vous avez définies ne sont pas valides, l'écran affichera **--NO--** et réinitialisera.
8. Si les valeurs que vous avez définies sont valides, l'affichage passera à l'écran de contrôle de pesée.

3.2.3.2 Vérification positive

Le contrôle positif est utilisé pour déterminer quand l'objet ajouté à la balance est dans la fourchette cible. Dans ce cas, les valeurs inférieure et supérieure doivent être des valeurs positives. (La valeur supérieure doit être supérieure à la valeur inférieure.) Ajoutez du matériau à la plate-forme de balance jusqu'à ce que l'écran indique qu'il se trouve dans la plage Accepter (vert).

3.2.3.3 Contrôle négatif

Un contrôle négatif est utilisé pour déterminer quand l'objet retiré de la balance se trouve dans la fourchette cible. Dans ce cas, les valeurs inférieure et supérieure sont toutes deux des valeurs négatives. La valeur inférieure doit être supérieure à la valeur supérieure. (Par exemple : la valeur inférieure est -10 ; la valeur supérieure est -15).


Placez l'article à peser sur la balance et appuyez sur le bouton



Retirez une partie de l'article jusqu'à ce qu'il se trouve dans la plage acceptable.


3.2.3.4 Vérification du zéro

La vérification du zéro est utilisée lors de la comparaison des échantillons suivants à un échantillon de référence initial. Dans ce cas, la valeur inférieure doit être une valeur négative et la valeur supérieure doit être positive.

Placez l'article de référence sur la balance et appuyez sur le bouton . Retirez le matériau de la plateforme de la balance jusqu'à ce que l'écran indique qu'il se trouve dans la plage Accepter (vert).

3.2.3.5 Effacer les limites de contrôle

Appuyez longuement sur le bouton **Target** jusqu'à ce que l'écran affiche les valeurs inférieur et supérieur.

Appuyez sur le bouton **CLR** de l'indicateur i-DT61XWE ou sur le bouton  de l'indicateur i-DT61PW, l'écran affiche **CLR.CH**. Appuyez sur le bouton **Yes** pour effacer à la fois la valeur inférieure et supérieure.

3.2.4 Paramètres de l'application

L'application peut être personnalisée selon les préférences de l'utilisateur.

Pour entrer les réglages de l'application :

1. Appuyez longuement sur le bouton **Menu** jusqu'à ce que vous voyiez **CLL**. Appuyez brièvement sur le bouton **No** plusieurs fois jusqu'à ce que vous voyiez **NO.D.E**. Appuyez sur le bouton **Yes** pour entrer les réglages du mode d'application.
2. Appuyez brièvement sur le bouton **No** plusieurs fois pour parcourir jusqu'à ce que vous voyiez la sélection souhaitée.
3. Appuyez sur le bouton **Yes** pour sélectionner.
4. Répétez les étapes 2 et 3 plusieurs fois jusqu'à ce que vous ayez terminé tous les réglages.
5. Appuyez sur le bouton **Exit** pour quitter.

Les configurations de pesage sont définies ci-dessous (par défaut en gras).

Article	Paramètres disponibles	Commentaires
Pesage (LWE IGH)	On , Off	Pour activer la pesée

Remarque : vous ne pouvez pas désactiver le pesage si vous êtes actuellement dans le mode.

3.3 Mode de comptage

Utilisez cette application pour compter des échantillons de poids uniforme.

3.3.1 Accédez au mode

Pour entrer dans le mode :


1. Appuyez et maintenez le bouton **Mode** jusqu'à ce que **COUPE** s'affiche.
2. Lorsque le bouton **Mode** est relâché, l'écran affiche **CLR.PUJ**.
3. Si vous devez effacer l'APW enregistré la dernière fois, appuyez sur le bouton **Yes**. Passez ensuite à l'étape 5.
Remarque : si le poids sur le plateau est supérieur à 1d, l'écran affichera **CLR.PAN** jusqu'à ce que le poids soit retiré du plateau.
4. Si vous avez besoin de rappeler l'APW enregistré la dernière fois et continuer à l'utiliser, appuyez sur le bouton **No** pour démarrer le comptage.
Remarque : si aucun APW n'a été défini auparavant, les étapes 3 et 4 seront omises.

3.3.2 Mettre en place un APW

Pour établir un APW :

1. Suivez l'étape précédente 4.
 - **DT61PW** :
L'écran affiche la taille de l'échantillon **PUJ. 10**. Pour la changer, appuyez brièvement sur le bouton **No** plusieurs fois jusqu'à ce que vous voyiez la valeur souhaitée.
Remarque : les sélections de taille d'échantillon disponibles sont 5, 10, 20, 50 et 100 (la valeur par défaut est 10).
 - **DT61XWE**
L'écran clignote avec la taille actuelle de l'échantillon, par exemple 10 Pcs. Pour le modifier, saisissez la nouvelle taille d'échantillon via le clavier numérique. N'appuyez pas sur le bouton **Yes** avant d'avoir terminé l'étape suivante.
2. Placez la quantité spécifiée d'échantillons sur le plateau et appuyez sur le bouton **Yes** pour mesurer le poids stable actuel.

Remarque :

- Pendant le processus de mesure, l'écran affiche - - - - - . (i-DT61PW)
- Vous pouvez appuyer sur le bouton  pour tarer. Le centre des icônes zéro, PT ou NET s'allumera selon le cas.
- Si l'APW est compris entre 0,1d et 1d, l'écran affiche **LD.rEF** pendant 1,5 seconde. Ensuite, il commencera à compter.
- Si l'APW est inférieure à 0,1d, l'écran affiche **rEF.Err** pendant 1,5 seconde, puis revient à l'affichage de l'étape 1. Veuillez replacer les échantillons sur le plateau et appuyer sur le bouton **Yes** pour rétablir une valeur d'APW.

3.3.3 Commencer à compter

1. Placez les pièces sur le plateau et lisez la valeur. Le nombre de pièces et l'icône Pcs s'affichent.
2. Appuyez sur le bouton **Function** pour afficher temporairement l'APW. **APUJ** s'affiche pendant 0,5 seconde. Ensuite, la valeur d'APW est affichée pendant 1,5 seconde en utilisant l'unité de mesure actuelle.

Remarque : Veuillez vous reporter à **Contrôle** dans la section **Mode de pesage** pour savoir comment utiliser Contrôle en mode de comptage.

3.3.4 Paramètres de l'application

L'application peut être personnalisée selon les préférences de l'utilisateur. Veuillez vous reporter à la section **Réglages d'application** dans **Mode de pesée** pour plus de détails sur la manière d'entrer les paramètres d'application.

Les configurations de comptage sont définies ci-dessous (par défaut en gras).

Article	Paramètres disponibles	Commentaires
Compte (COUPE)	On, Off	Pour activer le comptage
Opt auto. (R.OPE)	On , Off	Off : Opt auto. est éteint. On : L'APW sera optimisé automatiquement pendant le comptage de la pesée.

Remarque : vous ne pouvez pas désactiver Count si vous êtes actuellement dans le mode.

3.4 Mode de pourcentage

Utilisez cette application pour mesurer le poids d'un échantillon affiché sous forme de pourcentage d'un poids de référence préétabli.

3.4.1 Accédez au mode

Pour accéder au mode Pourcentage à partir de n'importe quel mode d'application :

1. Appuyez sur le bouton **Mode** et maintenez-le enfoncé jusqu'à ce que **PERCNT** s'affiche.
2. Lorsque le bouton **Mode** est relâché, l'écran affiche **CLRREF** et l'icône %.
3. Si vous devez effacer le poids de référence enregistré la dernière fois, appuyez sur le bouton **Yes**. Passez ensuite à l'étape 5.

Remarque : Si le poids mesuré est supérieur ou égal à 1d ou inférieur ou égal à -1d, l'écran affichera **CLRPRN** jusqu'à ce que l'échantillon soit retiré du plateau.

4. Si vous avez besoin de rappeler le poids de référence enregistré la dernière fois et continuer à l'utiliser, appuyez sur le bouton **No** et démarrez la pesée en pourcentage.

Remarque : Si aucun poids de référence n'a été précédemment enregistré, les étapes 3 et 4 seront omises.


5. L'écran affiche **PULREF** et l'icône %.

3.4.2 Établir un poids de référence

Pour établir un poids de référence :

Suivez l'étape précédente 5. Lorsque vous voyez **PULREF** affiché à l'écran, placez la quantité précisée d'échantillons sur le plateau et appuyez sur le bouton **Yes** pour mesurer le poids stable actuel.

Remarque :

- Vous pouvez appuyer sur le bouton  pour tarer. Le centre des icônes zéro, PT ou NET s'allumera selon le cas.
- Pour le modèle i-DT61PW, pendant le processus de mesure, l'écran affiche - - - - - .
- Si le poids de référence est inférieur à 100d pendant le processus de mesure, l'écran affichera **REF.Err** pendant 1,5 seconde, puis retournera à l'affichage **PULREF**. Veuillez replacer les échantillons sur le plateau et appuyer sur le bouton **Yes** pour rétablir un poids de référence.

3.4.3 Démarrer la pesée en pourcentage

1. Placez un échantillon sur le plateau et lisez le pourcentage. La valeur de pourcentage actuelle et l'icône % s'affichent.
2. Appuyez sur le bouton **Function** pour afficher temporairement le poids de référence. **REF.WGT** s'affiche pendant 0,5 seconde. Ensuite, la valeur du poids de référence s'affiche pendant 1,5 seconde dans l'unité de mesure actuelle.

Remarque : Veuillez vous reporter à **Contrôle** dans la section **Mode de pesée** pour savoir comment utiliser Contrôle en mode de pesée en pourcentage.

3.4.4 Paramètres de l'application

L'application peut être personnalisée selon les préférences de l'utilisateur. Veuillez vous reporter à la section **Réglages d'application** dans **Mode de pesée** pour plus de détails sur la manière d'entrer les paramètres d'application.

Les configurations de pesée en pourcentage sont définies ci-dessous (par défaut en gras).

Article	Paramètres disponibles	Commentaires
Pourcentage (PERCNT)	On , Off	Pour activer la pesée en pourcentage

Remarque : vous ne pouvez pas désactiver le pourcentage si vous êtes actuellement dans le mode.

3.5 Mode dynamique

Utilisez cette application pour peser une charge instable, comme un animal en mouvement.

3.5.1 Accédez au mode

Pour accéder au mode Pesage dynamique à partir de n'importe quel mode d'application :

1. Appuyez sur le bouton **Mode** et maintenez-le enfoncé jusqu'à ce que **ДYNAM** s'affiche.
2. L'écran affiche **READY**.

3.5.2 Démarrer le pesage dynamique

1. Commencer :
 - Lorsque l'opération est manuelle. Placez la charge (supérieure ou égale à 5d) sur le plateau et appuyez sur le bouton **Function** pour démarrer le processus de calcul de la moyenne.
 - Lorsque l'opération est semi-automatique / automatique. Placez la charge (supérieure ou égale au poids de départ) sur le plateau et la borne commencera automatiquement le processus de calcul de la moyenne
Remarque : L'affichage doit avoir une valeur brute ou nette de zéro avant de placer la charge sur le plateau.
2. Pendant la période de calcul de la moyenne, le compte à rebours diminue par incréments d'une seconde (par exemple, le temps moyen réglé est de 5 s).
Remarque : Si le temps moyen réglé est de 0 s, le compte à rebours ne s'affiche pas.
3. Les mesures sont établies en moyenne et conservées sur l'écran lorsque le compte à rebours est terminé en mode Compte à rebours et Continu.
 De plus, pour le modèle DT61XWE :
 - Le symbole tilde (~) clignotera pour indiquer que le poids actuel est maintenu en mode Compte à rebours.
 - Le symbole tilde (~) clignotera pour indiquer que le poids actuel est fourni en moyenne en temps réel en mode Continu.
Remarque : Si le temps moyen réglé est de 0s, le premier poids supérieur à 5d sera affiché et maintenu.
4. Pour réinitialiser le compte à rebours :
 - Lorsque l'opération est manuelle / semi-automatique, appuyez sur le bouton **Function** pour réinitialiser le compte à rebours lorsque le compte à rebours est en cours. L'écran affiche **READY** et recommence le comptage.
 - Lorsque l'opération est automatique, retirez la charge du plateau, et le poids moyen sera toujours affiché jusqu'à ce que la durée soit écoulée. Ensuite, l'écran affiche **READY** et recommence à compter.
Remarque :
 - L'affichage **READY** doit être à la valeur brute ou nette zéro pour réinitialiser le compte à rebours.
 - Veuillez vous reporter à **Contrôle** dans la section **Mode de pesage** pour savoir comment utiliser Contrôle en mode de pesée dynamique.

3.5.3 Paramètres de l'application

L'application peut être personnalisée selon les préférences de l'utilisateur. Veuillez vous reporter à la section **Réglages d'application** dans **Mode de pesée** pour plus de détails sur la manière d'entrer les paramètres d'application.

Les configurations de pesée dynamique sont définies ci-dessous (par défaut en gras).

Article	Paramètres disponibles	Commentaires
Mode dynamique (ДYNAM)	Compte à rebours (С.ДОЛЖН) / Continue (СОНТ) / Off (OFF)	Compte à rebours : Il y a un compte à rebours. Continu : Le calcul de la moyenne se poursuivra après le compte à rebours.
Opération dynamique (Д.Т.УРЕ)	Manuel (РУЧН) / Semi-automatique (СЕРН Т) / Auto (АУТ)	Manuel : Le processus de calcul de la moyenne est démarré et réinitialisé manuellement. Semi-automatique : Le processus de calcul de la moyenne est démarré automatiquement et réinitialisé manuellement. Auto :

		Le processus de calcul de la moyenne démarre et se réinitialise automatiquement.
Poids de départ (S.LJGt)	0 ~ Capacité/Poids	Le pesage dynamique démarre lorsque la charge est plus grande que le poids de départ (pour les modes semi-automatique et automatique).
Durée (d.t iŋŋE)	1 ~ 10 s	C'est le temps pendant lequel l'affichage reste le résultat de pesée dynamique après le retrait de la charge.
Durée moyenne (R.t iŋŋE)	0 ~ 30 s	Temps en secondes. Si le temps moyen est égal à 0, le résultat sera le premier poids stable (supérieur ou égal à 5d).

Remarque : vous ne pouvez pas désactiver Dynamic si vous êtes actuellement dans le mode.

3.6 Mode de remplissage

Utilisez cette application pour remplir un récipient jusqu'à un poids cible prédéterminé.

Remarque : le mode de remplissage n'est disponible que pour le modèle i-DT61XWE.

3.6.1 Accédez au mode

Pour accéder au mode Remplissage à partir de n'importe quel mode d'application :

1. Appuyez sur le bouton **Mode** et maintenez-le enfoncé jusqu'à ce que **F iLL** s'affiche.
2. Le poids réel est affiché à l'écran.

3.6.2 Commencer le remplissage

1. Lorsque la balance est en état d'arrêt ou pause, appuyez sur le bouton **Function** pour démarrer le processus de remplissage. Le port de sortie sera activé.
2. Ajoutez du poids sur le plateau. Lorsqu'un point de consigne (SP1 / SP2 / SP3 / SP4) est atteint, le port de sortie associé est désactivé.
3. Lorsque la balance est en état de démarrage ou pause, appuyez sur le bouton **Function** pour arrêter le processus de remplissage. Le port de sortie sera entièrement désactivé.

3.6.3 Reprendre et suspendre le remplissage

1. Lorsque la balance est en état de pause, appuyez sur le bouton **Target** pour reprendre le processus de remplissage. Le port de sortie sera activé ou désactivé en fonction de la valeur de charge actuelle.
2. Lorsque la balance est en état de démarrage, appuyez sur le bouton **Target** pour suspendre le processus de remplissage. Le port de sortie sera entièrement désactivé et l'affichage sera gelé.

3.6.4 Affichage de l'écran à matrice de points

L'écran à matrice de points sera divisé en une à quatre colonnes en fonction du nombre de points de consigne (SP) valides. Le maximum est de quatre colonnes. Par exemple, si vous définissez quatre SP, l'écran sera divisé en quatre colonnes. De plus, l'écran affichera différentes couleurs en fonction de la valeur de charge.

Par exemple :

1. Vous définissez quatre valeurs SP valides avec SP1 inférieur à SP2, SP2 inférieur à SP3, SP3 inférieur à SP4. Ensuite, l'écran en treillis sera divisé en quatre colonnes.
2. Pour commencer le remplissage, si la première charge est inférieure à SP1, la première colonne s'affiche en orange et les autres en rouge.



3. Si vous continuez à remplir la deuxième fois et que la charge totale est maintenant supérieure ou égale à SP1 et inférieure à SP2, la première colonne affiche le vert, la deuxième orange et les autres rouge.



4. Après cela, pour remplir la troisième fois, si la charge totale est maintenant supérieure ou égale à SP2 et inférieure à SP3, les deux premières colonnes affichent le vert, la troisième orange et les autres rouge.



5. Pour charger la quatrième fois, si la charge totale est maintenant supérieure ou égale à SP3 et inférieure à SP4, les trois premières colonnes affichent le vert et la quatrième orange.



6. Néanmoins, si la charge totale est supérieure à SP4, les quatre colonnes deviennent rouges et l'instrument sera à l'arrêt.



3.6.5 Paramètres de l'application

L'application peut être personnalisée selon les préférences de l'utilisateur. Veuillez vous reporter à la section **Réglages d'application** dans **Mode de pesée** pour plus de détails sur la manière d'entrer les paramètres d'application.

Les configurations de remplissage sont définies ci-dessous (par défaut en gras)

Article	Paramètres disponibles	Commentaires
Remplissage (F ILL)	On , Off	Pour activer le Remplissage/Pesage

Remarque : vous ne pouvez pas désactiver le remplissage si vous êtes actuellement dans le mode.

4. RÉGLAGES DU MENU

Le menu utilisateur permet la personnalisation des réglages de la balance.

Remarque : Des sous-menus supplémentaires peuvent être disponibles si les options d'interface sont installées. Consultez le manuel de l'utilisateur de l'interface pour obtenir des informations de réglage supplémentaires.

4.1 Navigation dans les menus

4.1.1 Menu utilisateur

Pour le modèle i-DT61PW

C.A.L	S.E.t.U.P	r.E.A.d	M.O.d.E	U.n. it	G.M.P	A.S.2.3.2	P.r. i.N.t	L.o.c.t	E.n.d
ZErO	rESEt	rESEt	rESEt	rESEt	rESEt	rESEt	rESEt	rESEt	
SPAN	C.UN it	StAbLE	WJE IGh	kg	d.FMTE	bAUd	ASS IGh	L.ALL	
L INE	CRP	ZErO	COUIt	g	dAtE	PAR itY	StAbLE	L.OFF	
GEO	GrAd	F ILtEr	A.OPt	lb	t.FMTE	StOP	M.OdE	L.ZErO	
C.t.ESt	P.ZErO	AZt	PErCIt	oz	t.MTE	H.SHARtE	t.MTE	L.Pr INt	
F in	P.UN it	b.L IGhE	dYNArM	lb;oz	P. Id	ALt.P	C.SUMM	L.UN it	
	A.tArE	S.SArE	d.tYPE	End	S. Id	ALt.t	tEMTP	L.MOdE	
	ACCUMM	A.OFF	d.t.MTE		End	ALt.2	End	L.MMENU	
	t.CIt	P.SArEA	A.t.MTE			End		L.tArE	
	t.NEMt	End	End					L.tArGE	
	End							End	

Pour le modèle i-DT61XWE

C.A.L	S.E.t.U.P	r.E.A.d	M.O.d.E	U.n. it	G.M.P	A.S.2.3.2	P.r. i.N.t	I.O.	L.o.c.t	L. Ib	U.S.E.r	U.S.b	E.n.d
ZErO	rESEt	rESEt	rESEt	rESEt	rESEt	rESEt	rESEt	rESEt	rESEt	NEWJ	NEWJ	rESEt	
SPAN	C.UN it	StAbLE	WJE IGh	kg	d.FMTE	bAUd	ASS IGh	tYPE	L.ALL	Ed it	Ed it	tYPE	
L INE	rANGE	ZErO	PErCIt	g	dAtE	PAR itY	StAbLE	INPUt 1	L.OFF	End	End	E.MMENU	
GEO	CRP 1	F ILtEr	dYNArM	lb	t.FMTE	StOP	M.OdE	INPUt2	L.ZErO			I.MMENU	
C.t.ESt	GrAd 1	AZt	d.tYPE	oz	t.MTE	H.SHARtE	t.MTE	OUt 1	L.Pr INt			E.L Ib	
End	CRP2	L IGhE	S.tWt	lb;oz	P. Id	ALt.P	C.SUMM	OUt2	L.UN it			L.L Ib	
	GrAd2	S.SArE	d.t.MTE	End	S. Id	ALt.t	tEMTP	OUt3	L.FUNC			E.USER	
	P.ZErO	A.OFF	A.t.MTE		End	ALt.2	End	OUt4	L.MOdE			I.USER	
	P.UN it	L.tEY	F ILL			End		End	L.MMENU			LENGtH	
	A.tArE	End	End						L.tArE			S.d IG it	
	ACCUMM								L.tArGE				
	t.bEEP								End				
	t.CL ICh												
	bP.S IG												
	L.S IGh												
	Ir.FUNC												
	Ir.AdJ												
	t.CIt												
	t.NEMt												
	P.Wd.EN												
	P.Wd												
	End												

Remarques :

Certains modes / unités peuvent ne pas être disponibles sur tous les modèles.

Lorsque LEGAL FOR TRADE est réglé sur **ON** (le commutateur de verrouillage est en position verrouillée), les réglages du menu seront affectés comme suit :

- Le menu Calibration (C.A.L) n'est pas accessible.

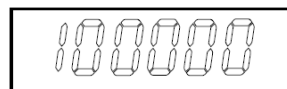
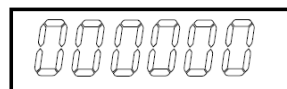
- Le réglage de la plage zéro est verrouillé à 2 %.
- Le réglage de la plage stable est verrouillé à 1d.
- Le réglage du suivi automatique du zéro est verrouillé à 0,5 j.
- Le filtre et les unités sont verrouillés à leurs réglages actuels.
- Uniquement stable est verrouillé pour être **On**.
- L'impression automatique / en continu est désactivée.
- L'unité Lb;oz est verrouillée sur Off.

4.1.2 Navigation par bouton

- Le bouton **Yes** : permet d'accéder au menu affiché.
Accepte le réglage affiché et passe à l'élément suivant.
- Le bouton **Non** : rejette l'entrée dans le menu affiché.
Rejette le menu affiché et passe à la sélection suivante.
- Le bouton **Back** : permet de reculer dans les menus de niveau supérieur et intermédiaire.
Retourne d'une liste d'éléments sélectionnables au menu de niveau intermédiaire précédent.
- Le bouton **Exit** : sort du menu directement vers le mode de pesage actif.

Pour les éléments de menu avec des réglages numériques tels que Capacité, le réglage actuel est affiché avec tous les chiffres clignotants. Réviser :

1. Appuyez sur le bouton **No** pour commencer la modification.
2. Le premier chiffre s'affiche en clignotant.
3. Appuyez sur le bouton **No** pour augmenter le chiffre ou appuyez sur le bouton **Yes** pour accepter le chiffre et passer au suivant.
4. Répétez ce processus pour tous les chiffres.
5. Appuyez sur le bouton **Yes** lorsque le dernier chiffre a été défini.
6. Le nouveau réglage s'affiche avec tous les chiffres clignotants. Appuyez sur le bouton **Yes** pour accepter le réglage ou appuyez sur **No** pour reprendre la modification.
7. Pour terminer la sélection de menu en cours, appuyez sur le bouton **Yes** pour passer au menu suivant, ou appuyez sur **No** pour revenir en haut du menu actuel.



Remarque : Pour le modèle i-DT61XWE, la valeur numérique peut être saisie directement par le clavier numérique.

4.2 Menu d'étalonnage

Entrez dans ce menu pour effectuer les étalonnages.

4.2.1 Calibrage initial

Lorsque la balance est utilisée pour la première fois, il est recommandé d'effectuer un étalonnage du zéro et du span pour garantir des résultats de pesage précis.

Avant d'effectuer l'étalonnage, assurez-vous de disposer des poids d'étalonnage appropriés, comme indiqué dans le tableau 4-1. Assurez-vous que le commutateur LFT / verrou d'étalonnage est en position déverrouillée.

Ou ajustez le réglage GEO en fonction de votre emplacement.

TABLEAU 4-1

Masse d'étalonnage du span requise (vendue séparément)			
Max	Masse*	Max	Masse*
3000 g	3 kg / 5 lb	30000 g	30 kg / 50 lb
6000 g	6 kg / 10 lb	60000 g	60 kg / 100 lb
15 000 g	15 kg / 25 lb	1 50000 g	150 kg / 250 lb

Note:

- Lorsque l'unité active est g ou kg, l'unité d'étalonnage sera en kg.
- Lorsque l'unité active est lb, oz ou lb : oz, l'unité d'étalonnage sera en lb.
- Pour l'étalonnage de linéarité, la masse d'étalonnage est fixe. Le point médian est toujours la moitié de la pleine capacité.

4.2.2 Étalonnage du zéro [ZER0]

L'étalonnage du zéro utilise un point d'étalonnage. Le point d'étalonnage du zéro est établi sans poids sur la balance. Utilisez cette méthode d'étalonnage pour ajuster une charge statique différente sans affecter l'étalonnage du span ou de linéarité.

Procédures d'étalonnage :

1. Appuyez longuement sur le bouton **Menu** jusqu'à ce que vous voyiez **C.A.L.** Appuyez sur le bouton **Yes**.
2. L'écran affiche **ZER0**. Appuyez sur le bouton **Yes**.
3. L'affichage clignote **0** kg et l'unité d'étalonnage. Sans poids sur le plateau, appuyez sur le bouton **Yes** pour établir le point zéro.
4. L'écran affiche **--C--**, puis **-DONE-** lorsque l'étalonnage du zéro est terminé.

Remarque :

Si l'étalonnage du zéro échoue ou si après 40 secondes l'étalonnage échoue toujours, **CAL E** s'affiche pendant 3 secondes et les données d'étalonnage précédentes sont restaurées. La balance quitte le mode de pesage actif et affiche la valeur de poids réelle dans l'unité de pesée actuelle.

5. Ensuite, l'écran affiche **SPAN**. Appuyez sur le bouton **Exit** pour quitter.

4.2.3 Étalonnage du span [SPAN]

L'étalonnage du span utilise un point. Le point d'étalonnage du span est établi avec une masse d'étalonnage sur la balance.

Remarque : L'étalonnage du span doit être effectué après l'étalonnage du zéro.

Procédures d'étalonnage :

1. Appuyez longuement sur le bouton **Menu** jusqu'à ce que vous voyiez **C.A.L.** Appuyez sur le bouton **Yes**.
2. Appuyez brièvement sur le bouton **No** pour naviguer jusqu'à ce que vous voyiez **SPAN**. Appuyez sur le bouton **Yes**.
3. L'affichage clignote avec le point d'étalonnage et l'unité d'étalonnage en fonction de la capacité et de l'unité définies dans le menu de capacité. (Par exemple **030.000** kg). Si vous n'avez pas besoin de modifier le point d'étalonnage, passez à l'étape 5.
4. Pour modifier le point d'étalonnage :
 - i-DT61PW : appuyez brièvement sur le bouton **No** plusieurs fois jusqu'à ce que le chiffre souhaité apparaisse. Appuyez brièvement sur le bouton **Yes** pour accepter le chiffre et passer au suivant. Répétez le processus jusqu'à ce que tous les chiffres soient corrects. Appuyez sur le bouton **Yes**

pour accepter le point d'étalonnage. L'affichage clignote avec le point d'étalonnage que vous avez défini.

- i-DT61XWE : saisissez le point d'étalonnage à l'aide des touches numériques. (N'appuyez pas sur le bouton **Yes** avant d'avoir terminé l'étape 5.)
5. Placez une masse d'étalonnage du poids spécifié sur le plateau et appuyez sur le bouton **Yes**.
 6. L'écran affiche **--[--**, puis **-DONE-** lorsque l'étalonnage est terminé.
 7. Ensuite, l'écran affiche **L m**. Appuyez sur le bouton **Exit** pour quitter.

Remarque :

- Si l'étalonnage échoue, **CAL E** s'affiche pendant 3 secondes et les données d'étalonnage précédentes sont restaurées. La balance quitte le mode de pesage actif et affiche la valeur de poids réelle dans l'unité de pesée actuelle.
- Si après une attente de 40 secondes, l'étalonnage échoue toujours, **CAL E** s'affiche pendant 3 secondes et les données d'étalonnage précédentes sont restaurées. La balance quitte le mode de pesage actif et affiche la valeur de poids réelle dans l'unité de pesée actuelle.

4.2.4 Étalonnage de linéarité [L m]

L'étalonnage de la linéarité utilise 3 points d'étalonnage. Le point d'étalonnage complet est établi avec un poids sur la balance. Le point d'étalonnage intermédiaire est établi avec un poids égal à la moitié du poids d'étalonnage complet sur la balance. Le point d'étalonnage du zéro est établi sans poids sur la balance. Les points d'étalonnage complet et d'étalonnage intermédiaire peuvent être modifiés par l'utilisateur pendant la procédure d'étalonnage.

Procédures d'étalonnage :

1. Appuyez longuement sur le bouton **Menu** jusqu'à ce que vous voyiez **C.A.L.** Appuyez sur le bouton **Yes**.
2. Appuyez brièvement sur le bouton **No** plusieurs fois pour parcourir jusqu'à ce que vous voyiez **L m**. Appuyez sur le bouton **Yes**.
3. L'affichage clignote **0 kg** et l'unité d'étalonnage. Sans poids sur le plateau, appuyez sur le bouton **Yes** pour établir le point zéro.
4. L'écran affiche **--[--**, puis se met à clignoter avec le premier point d'étalonnage et l'unité d'étalonnage en fonction de la capacité et de l'unité que vous avez définies dans le menu de capacité. (Par exemple, **0 15.000 kg**). Si vous n'avez pas besoin de modifier le point d'étalonnage, passez à l'étape 6.
5. Pour modifier le point d'étalonnage :
 - i-DT61PW : appuyez brièvement sur le bouton **No** plusieurs fois jusqu'à ce que le chiffre souhaité apparaisse. Appuyez brièvement sur le bouton **Yes** pour accepter le chiffre et passer au suivant. Répétez le processus jusqu'à ce que tous les chiffres soient corrects. Appuyez sur le bouton **Yes** pour accepter le point d'étalonnage. L'affichage clignote avec le point d'étalonnage que vous avez défini.
 - i-DT61XWE : saisissez le point d'étalonnage à l'aide des touches numériques. (Évitez d'appuyer sur le bouton **Yes** ici avant d'avoir terminé l'étape 6).
6. Placez une masse d'étalonnage du poids spécifié sur le plateau et appuyez sur le bouton **Yes**.
7. L'écran affiche **--[--**, puis se met à clignoter avec le deuxième point d'étalonnage et l'unité d'étalonnage en fonction de la capacité et de l'unité que vous avez définies dans le menu de capacité. (Par exemple, **030 000 kg**).

Remarque :

Si après une attente de 40 secondes, l'étalonnage échoue toujours, **CAL E** s'affiche pendant 3 secondes et les données d'étalonnage précédentes sont restaurées. La balance quitte le mode de pesage actif et affiche le poids réel dans l'unité de pesée actuellement sélectionnée.

8. Répétez les étapes 5 et 6.
9. L'écran affiche **--[--**, puis **-DONE-** lorsque l'étalonnage de la linéarité est terminé.
10. Ensuite, l'écran affiche **GEO**. Appuyez sur le bouton **Exit** pour quitter.

4.2.5 Réglage GÉO [GEO]

Le facteur d'ajustement géographique (GEO) est utilisé pour ajuster l'étalonnage en fonction de l'emplacement actuel. Les réglages de 0 à 31 sont disponibles, 12 étant la valeur par défaut.

Veuillez consulter la section **Tableau des valeurs géo** dans le chapitre **Données techniques** pour déterminer le facteur GEO qui correspond à votre emplacement.

Pour régler le facteur GEO :

1. Appuyez longuement sur le bouton **Menu** jusqu'à ce que vous voyiez **C.A.L.** Appuyez sur le bouton **Yes**.
2. Appuyez brièvement sur le bouton **No** plusieurs fois pour parcourir jusqu'à ce que vous voyiez **GEO**. Appuyez sur le bouton **Yes**.
3. L'affichage clignote avec le point Geo (par exemple, **12**).
4. Appuyez brièvement sur le bouton **No** plusieurs fois jusqu'à ce que le nombre GEO souhaité apparaisse. Appuyez sur le bouton **Yes** pour terminer le réglage.
5. Ensuite, l'écran affiche **C.ŁE5Ł**. Appuyez sur le bouton **Exit** pour quitter.

4.2.6 Test d'étalonnage [C.ŁE5Ł]

Procédures de test d'étalonnage :

1. Appuyez longuement sur le bouton **Menu** jusqu'à ce que vous voyiez **C.A.L.** Appuyez sur le bouton **Yes**.
2. Appuyez brièvement sur le bouton **No** plusieurs fois pour naviguer jusqu'à ce que vous voyiez **C.ŁE5Ł**. Appuyez sur le bouton **Yes**.
3. L'affichage clignote avec **0** et l'unité d'étalonnage en fonction de la capacité et de l'unité que vous avez définies dans le menu de capacité. Sans poids sur le plateau, appuyez sur le bouton **Yes** pour établir le point zéro.
4. L'écran affiche **--Ł--** pendant que le point zéro est enregistré.
5. L'affichage clignote avec le poids d'étalonnage et l'unité de la dernière fois. (Par exemple, **0 15.000** kg).
6. Pour modifier le poids d'étalonnage pour essais :
 - i-DT61PW : appuyez brièvement sur le bouton **No** plusieurs fois jusqu'à ce que le chiffre souhaité apparaisse. Appuyez brièvement sur le bouton **Yes** pour accepter le chiffre et passer au suivant. Répétez le processus jusqu'à ce que tous les chiffres soient corrects. Appuyez sur le bouton **Yes** pour accepter le point d'étalonnage.
 - i-DT61XWE : appuyez sur les touches numériques pour modifier le poids. (N'appuyez pas sur le bouton **Yes** ici avant d'avoir terminé l'étape 7).
7. Placez le poids de test spécifié sur le plateau et appuyez sur le bouton **Yes**.
8. L'affichage clignote avec la différence entre les données d'étalonnage et le poids de test. (Par exemple, **0.0 10** kg). Si la borne est connectée à une imprimante ou à d'autres périphériques, le résultat du test d'étalonnage sera imprimé.
9. Après 5 secondes, le test est terminé et la balance revient au mode de pesage actif avec l'affichage du poids actuel.

4.2.7 End Cal [End]

Lorsque **End** est affiché, appuyez sur le bouton **Yes** pour quitter ce menu et passer au sous-menu suivant ou appuyez sur le bouton **No** pour passer au premier élément de menu dans le sous-menu.

4.3 Menu des paramètres

Accédez à ce menu **5.E.t.U.P** pour régler les paramètres de la balance. Les réglages par défaut sont en **gras**.

Pour le modèle i-DT61PW

Menu	Sous-menu	Sous-menu (dans le segment)	Options	Options (dans le segment)
Paramètres 5.E.t.U.P	Réinitialiser	rESEt	non, oui	NO, YES
	Unité de capacité	C.UN t	kg , lb, t, g	/
	Capacité	CRP	1-999999	/
	Graduation	GrAd	0,0001 ~ 100	/
	Étalonnage du zéro à la mise en marche	P.ZEr0	Off, On	OFF, ON
	Unité de mise sous tension	P.UN t	Auto , g, kg, lb, oz, lb : oz, t	AUt0
	Tare automatique	A.tArE	Off , On, Accepter	OFF, ON, ACCEPt
	Accumulation	ACCUM	Off , Auto, Manuel, Accepter	OFF, MAN, AUt0, ACCEPt
	Compteur de transactions	t.CNt	Off, On	OFF, ON
	Prochaine transaction	t.NEXt	1-999999	/
Fin	End	\	/	

Pour le modèle i-DT61XWE

Menu	Sous-menu	Sous-menu (dans le segment)	Options	Options (dans le segment)
Installer 5.E.t.U.P	Réinitialiser	rESEt	non, oui	NO, YES
	Unité de capacité	C.UN t	kg , lb	/
	Gamme	r.RNGE	Simple , double	S INGLE, dUAl
	> 1 <Capacité	CRP 1	1-999999	/
	> 1 <Graduation	GrAd 1	0,0001 ~ 100	/
	> 2 <Capacité [Plage = Double]	CRP 2	1-999999	/
	> 2 <Graduation [Plage = Double]	GrAd 2	0,0001 ~ 100	/
	Étalonnage du zéro à la mise en marche	P.ZEr0	Off, On	OFF, ON
	Unité de mise sous tension	P.UN t	Auto , g, kg, lb, oz, lb : oz	AUt0
	Tare automatique	A.tArE	Off , On, Accept	OFF, ON, ACCEPt
	Accumulation	ACCUM	Off , Auto, Manuel, Accepter	OFF, MAN, AUt0, ACCEPt
	Bip clé	t.bEEP	Off, On	OFF, ON
	Type de clic de touche	t.CL tCt	simple , double	S INGLE, dOUBLE
	Vérifier le signal sonore	bP.S tG	off , inférieur, supérieur, accepter, inférieur-supérieur	OFF, UNdEr, OuEr, ACCEPt, UN-Ou
	Vérifiez le signal lumineux	L.S tGN	bloc , barre, segment	bLOCt, bAr, SEGMENT
	IR Func	Ir.FUNC	Affichage , zéro, tare, impression	d ISP, ZEr0, tArE, Pr INt
	Réglage IR	Ir.AdJ	OFF, BAS, ÉLEVÉ	OFF, LOw, H I
Compteur de transactions	t.CNt	Off, On	OFF, ON	

	Prochaine transaction	É.NEXT	1-999999	/
	PasswordEnable	P.Wd.EN	Off, On	OFF, ON
	Fin	End	\	

Réinitialiser [rESEt]

Réinitialisez le menu de configuration aux paramètres d'usine par défaut.

NO = ne pas réinitialiser

YES = réinitialiser

Unité de capacité [C.UN t]

Sélectionnez l'unité utilisée pour l'étalonnage.

t (Tonne métrique)

g

kg

lb

Remarque : t et g ne sont pas disponibles pour le modèle i-DT61XWE.

Plage [rRNGE]

Remarque : Ce paramètre n'est disponible que pour le modèle i-DT61XWE.

Régalez le nombre d'intervalles de pesée.

Ces bornes peuvent être configurées pour utiliser un intervalle simple ou double. Chaque intervalle peut recevoir sa propre graduation. Si le double intervalle est sélectionné, la graduation changera lorsque le poids atteindra le deuxième intervalle.

Lorsque l'intervalle **unique** est sélectionné, les paramètres supplémentaires disponibles sont :

> | 1 | < Capacité

>|1|< Graduation

Lorsque l'intervalle **double** est sélectionné, la borne fonctionne avec deux intervalles, chacun avec sa propre capacité et graduation. En plus des paramètres de capacité et de graduation de l'intervalle 1, les deux paramètres suivants sont disponibles :

•> | 2 | < Capacité

>|2|< Graduation

Capacité [CAP] / Capacité1 [CAP 1]

Définissez la capacité de la balance ou la capacité de la première balance (pour le modèle i-DT61XWE).

1... 999999

Grad [GrAd] / Grad1 [GrAd 1]

Régalez la lisibilité de la balance ou la lisibilité de la première balance pour le modèle i-DT61XWE entre 0,0001 et 100.

0,0001 ~ 100

Capacité2 [CAP2]

Définissez la capacité de la deuxième balance pour le modèle i-DT61XWE.

Grad2 [GrAd2]

Définissez la lisibilité de la deuxième balance pour le modèle i-DT61XWE.

Étalonnage du zéro à la mise en marche [P.ZEr0]

Mettez la balance à zéro à la mise sous tension.

OFF = désactivé.

ON = activé.

Unité de mise sous tension [P.UN t]

Régalez l'unité qui sera affichée à la mise sous tension.

AUTO	= dernière unité à la mise hors tension
Kg	= kilogrammes
g	= grammes
lb	= livres
oz	= onces
lb:oz	= onces livre
t	= tonne métrique (disponible uniquement pour le modèle i-DT61PW)

Tare automatique [A.T.A.E]

Définissez la fonctionnalité de tare automatique.

OFF	= la tare automatique est désactivée.
ON	= le premier poids brut stable est taré.
ACCEPT	= les poids bruts stables dans les limites acceptables sont tarés (en mode Contrôle).

Accumulation [ACCUM]

Définissez la fonctionnalité d'accumulation.

OFF	= l'accumulation est désactivée.
AUTO	= effectuer l'accumulation automatiquement.
MAN	= effectuer l'accumulation manuellement.
ACCEPT	= effectuer l'accumulation lorsque les poids sont dans les limites acceptables (en mode Contrôle).

Remarque : Pour plus de détails sur l'accumulation, veuillez vous reporter à **Accumulation et statistiques** dans la section **Mode de pesage**.

Compteur de transactions [T.C.N.]

Le compteur de transactions est un compteur à sept chiffres qui suit le total des transactions. Lorsque la valeur atteint 9 999 999, la transaction suivante provoque un basculement à 0000001.

OFF	= le compteur de transactions n'augmentera pas.
ON	= le compteur de transactions augmentera avec l'élément de menu supplémentaire Transaction suivante disponible.

Remarque : Si le compteur de transaction est réglé sur ON, le nombre de comptage augmentera lorsque vous appuierez sur le bouton **Print**.

Compteur de transaction suivante [T.NEXT]

Définissez la valeur de la transaction suivante qui s'affiche dans le champ Transaction suivante.
1 ~ 999999

Bip de touche [T.BEEP]

Définissez si le bip est activé lorsqu'un bouton est enfoncé.

OFF	= pas de son
ON	= son

Remarque : Ce paramètre n'est disponible que pour le modèle i-DT61XWE.

Type de clic de touche [T.CLICK]

SINGLE	= cliquez une fois sur le bouton pour exécuter l'opération.
DOUBLE	= double-cliquez sur le bouton pour exécuter l'opération.

Remarque : Ce paramètre n'est disponible que pour le modèle i-DT61XWE.

Signal sonore [B.P.S IG]

Définissez les conditions du bip sonore en mode Contrôle de pesée.

OFF	= le bip est désactivé.
UNDER	= le bip sonore est activé lorsque le poids est inférieur à la valeur inférieure que vous avez définie.
OVER	= le bip sonore est activé lorsque le poids dépasse la valeur supérieure que vous avez définie.
ACCEPT	= le bip sonore est activé lorsque le poids est dans la plage acceptable que vous avez définie.
UN-OV	= le bip sonore est activé lorsque le poids est inférieur à la valeur inférieure ou dépasse la

valeur supérieure définie.

Remarque : Ce paramètre n'est disponible que pour le modèle i-DT61XWE.

Vérifier le signal lumineux [L.5 ION]

Définissez la façon dont l'écran affiche en mode Contrôle les poids supérieurs, inférieurs et acceptables.

BLDCT = la lumière est affichée en bloc.

BAR = la lumière est affichée en barre.


SEGMENT = la lumière est affichée en segment.

Remarque : Ce paramètre n'est disponible que pour le modèle i-DT61XWE.

Fonction IR [Ir.FUNC]


Définissez le fonctionnement du capteur de rayonnement infrarouge.

ZERO = la balance effectue une opération de zéro égale à une pression sur le bouton **Zero**.

TARE = la balance effectue une opération de tare égale à une pression sur le bouton .

PRINT = la balance effectue une opération d'impression équivalente à une pression sur le bouton **Print**.

DISPLAY = allume le rétroéclairage.

Passez la main devant l'icône  du panneau de commande pour effectuer l'opération que vous avez définie.

Remarque : Ce paramètre n'est disponible que pour le modèle i-DT61XWE.

Réglage IR [Ir.ADJ]

Définissez la distance de réponse du capteur de rayonnement infrarouge.

OFF = le capteur IR est désactivé.

LOW = le capteur répondra dans les 50 mm / 2 pouces.

HIGH = le capteur répondra dans les 100 mm / 4 pouces.

Remarque : Ce paramètre n'est disponible que pour le modèle i-DT61XWE.

Activation du mot de passe [Pwd.En]


Définissez si vous avez besoin d'un mot de passe pour accéder au menu. Lorsqu'il est sous tension, vous devez saisir le mot de passe chaque fois que vous entrez dans le menu.

OFF = pour désactiver la fonction de mot de passe.

ON = pour activer la fonction de mot de passe.

Mot de passe [Pwd]

Ce sous-menu n'apparaîtra que lorsque le menu d'activation du mot de passe est sélectionné pour être activé.

L'affichage clignote avec , saisissez le nouveau mot de passe à l'aide du clavier numérique. Appuyez sur la touche **CLR** pour modifier vos informations. Appuyez sur le bouton **Yes** lorsque vous avez terminé.

Fin de la configuration [End]

Passez au menu suivant ou retournez en haut du menu actuel.

4.4 Menu de lecture

Entrez dans ce menu pour définir les préférences de l'utilisateur. Les réglages par défaut sont en **gras**.

Menu	Sous-menu	Sous-menu (dans le segment)	Options	Options (dans le segment)
Lecture (r.E.R.d)	Réinitialiser	rESEt	non, oui	NO , YES
	Stabilité	StAbLE	0,5d, 1d , 2d, 5d	0.5d , 1d , 2d, 5d
	Gamme zéro	ZEr0	2 %, 100 %	2 , 100
	Niveau de filtre	F ILtEr	Bas, Moyen , Élevé	LOW , Med , HIGH
	Piste zéro automatique	AZt	Off, 0,5d , 1d, 3d	OFF , 0.5d , 1d, 3d
	Niveau de luminosité (i-DT61XWE)	L IGht	Bas, Moyen , Élevé	Med , HIGH , LOW
	Rétroéclairage (i-DT61PW)	b.L IGht	Off, On, Auto	OFF , ON , Auto
	Écran	S.SAveR	Off, 1 min, 2 min, 5 min (i-DT61PW)	OFF , 1 , 2 , 5 (i-DT61PW)
			Off, 5 min, 10 min, 30 min (i-DT61XW)	OFF , 5 , 10 , 30 (i-DT61XW)
	Arrêt automatique	A.OFF	Off, 5 min, 10 min, 30 min	OFF , 5 , 10 , 30
	P.SAVE (i-DT61PW)	P.SAveR	ON, OFF	ON , OFF
	L.KEY (i-DT61XWE)	L.KEY	Off, 0,5 min, 1 min, 2 min, 5 min	OFF , 0.5 , 1 , 2 , 5
Fin	End	\		

Réinitialiser [rESEt]

Réinitialisez le menu de lecture aux paramètres d'usine par défaut.

- NO** = ne se réinitialise pas.
YES = réinitialiser

Stabilité [StAbLE]

Définissez la variation de la lecture avant que le symbole de stabilité ne s'éteigne.

- 0.5d** = 0,5 division de la balance
1d = 1 division de la balance
2d = 2 divisions de la balance
5d = 5 divisions de la balance

Zero [ZEr0]

Définissez le pourcentage de capacité de la balance qui peut être remis à zéro.

- 2 %** = la plage de zéro est +/- 2 %
100 % = la plage zéro est de +/- 100 %

Filtre [F ILtEr]

Régalez le niveau de filtrage du signal.

- LOW** = temps de stabilisation plus rapide avec moins de stabilité.
Med = temps de stabilisation normal avec stabilité normale.
HIGH = temps de stabilisation plus lent avec plus de stabilité.

AZT [AZt]

Définissez la fonctionnalité de suivi automatique du zéro.

- OFF** = désactivé
0.5d = l'affichage maintiendra zéro jusqu'à ce qu'un changement de 0,5 division par seconde soit dépassé.

- 1d** = l'affichage maintiendra zéro jusqu'à ce qu'un changement de 1 division par seconde soit dépassé.
- 3d** = l'affichage maintiendra zéro jusqu'à ce qu'un changement de 3 divisions par seconde soit dépassé.

Niveau de luminosité [L IGHE]

Réglez le niveau de luminosité de l'écran.

- L0LJ** = le niveau de luminosité est faible
- 77Ed** = le niveau lumineux est moyen
- H IGH** = le niveau de luminosité est élevé

Remarque : Ce paramètre n'est disponible que pour le modèle i-DT61XWE.

Rétroéclairage [b.L IGHE]

Définissez la fonctionnalité de rétroéclairage de l'écran.

- OFF** = le rétroéclairage est désactivé.
- ON** = le rétroéclairage est activé.
- Auto** = le rétroéclairage est désactivé après 5 secondes d'inactivité.

Remarque : Ce paramètre n'est disponible que pour le modèle i-DT61PW.

Écran [SCREEN]

Définissez si l'économiseur d'écran est activé après la durée sélectionnée.

Pour i-DT61PW :

- OFF** = l'économiseur d'écran est désactivé
- 1** = l'économiseur d'écran est activé après 1 minute d'inactivité.
- 2** = l'économiseur d'écran est activé après 2 minutes d'inactivité.
- 5** = l'économiseur d'écran est activé après 5 minutes d'inactivité.

Pour i-DT61XWE :

- OFF** = l'économiseur d'écran est désactivé
- 5** = l'économiseur d'écran est activé après 5 minutes d'inactivité.
- 10** = l'économiseur d'écran est activé après 10 minutes d'inactivité.
- 30** = l'économiseur d'écran est activé après 30 minutes d'inactivité.

Touche de verrouillage [L.FEY]

Réglez pour verrouiller toutes les touches après la période sélectionnée.

- OFF** = désactivé
- 0.5** = les touches sont verrouillées après 30 secondes d'inactivité.
- 1** = les touches sont verrouillées après 1 seconde d'inactivité.
- 2** = les touches sont verrouillées après 2 secondes d'inactivité.
- 5** = les touches sont verrouillées après 5 secondes d'inactivité.

Arrêt automatique [A.OFF]

Définissez si l'écran entre en mode veille après la durée sélectionnée.

- OFF** = désactivé
- 5** = l'écran passe en mode veille après 5 minutes d'inactivité.
- 10** = l'affichage passe en mode veille après 10 minutes d'inactivité.
- 30** = l'écran passe en mode veille après 30 minutes d'inactivité.

P.SAVE [P.SAVE]

Définissez s'il faut activer le mode d'économie d'énergie une fois que la balance est entrée en mode attente.

- ON** = l'économie d'énergie est activée.
- OFF** = l'économie d'énergie est désactivée.

Remarque : ce paramètre est uniquement pour le modèle i-DT61PW.

Fin de la lecture [END]

Passez au menu suivant ou retournez en haut du menu actuel.

4.5 Menu de l'unité

Accédez à ce menu **U.N. 1.1** pour activer les unités désirées.

Réinitialiser
 Gramme (g)
 Kilogramme (kg)
 Livre (lb)
 Once (oz)
 Livre : Once (lb:oz)
 Tonne (t) (disponible uniquement pour le modèle i-DT61PW)
 Fin

Remarque :

- En raison des lois nationales, l'indicateur peut ne pas inclure certaines des unités répertoriées.
- Si l'interrupteur de sécurité est activé, les unités sont verrouillées à leur réglage actuel.
- Les unités disponibles varient selon le modèle et les réglementations locales.

4.6 Menu GLP / GMP

Entrez dans ce menu pour définir les données de bonnes pratiques de laboratoire (BPL) ou de bonnes pratiques de fabrication (GMP).

Réinitialiser [RESET]

Si Réinitialiser est sélectionné et confirmé, toutes les valeurs du sous-menu seront définies par défaut.

Format de données [DATE]

Définissez le format de la date.

MDY [M/D/Y] = Mois.Année.Jour

DMY [D/M/Y] = Mois.Année.Jour

YMD [Y/M/D] = Mois.Année.Jour

Date [DATE]

Réglez la date en fonction du format de date précédent que vous avez défini.

Par exemple, vous définissez YMD (Année. Mois. Jour) pour le format de date, et les données que vous allez saisir sont 2020/4/17.

Ensuite, réglez la date comme suit : 20.04.17 (Année. Mois. Jour)

Format de l'heure [TIME]

Définissez le format de l'heure.

24 h = format 24 heures.

12 h = format 12 heures.

Heure [TIME]

Régler l'heure.

Format 24 heures

00 à 23 = position des heures

00 à 59 = position des minutes

Format 12 heures :

00 à 12 = position des heures

00 à 59 = position des minutes

Pour savoir comment saisir les heures, veuillez vous référer à la section ID de projet suivante pour plus de détails.

Remarque : pour le modèle i-DT61XWE, vous ne pouvez pas utiliser le clavier numérique pour saisir l'heure.

ID du projet [**P. Id**]

Définissez le numéro d'identification du projet.

Pour régler le numéro, appuyez brièvement sur le bouton **No** plusieurs fois jusqu'à ce que le numéro souhaité apparaisse. Appuyez brièvement sur le bouton **Yes** pour accepter la valeur et passer au chiffre suivant. Répétez le processus jusqu'à ce que tous les chiffres soient corrects. Appuyez sur le bouton **Yes** pour accepter la valeur.

Pour le modèle i-DT61XWE, vous pouvez saisir l'ID de projet via le clavier numérique.

ID de la balance [**5. Id**]

Définissez l'identification du projet.

Veuillez vous reporter à la section **ID du projet** pour savoir comment définir le numéro.

Pour le modèle i-DT61XWE, vous pouvez saisir l'ID de la balance via le clavier numérique.

Fin [**End**]

Passez au menu suivant ou retournez en haut du menu actuel.

4.7 Communication

Accédez à ce menu pour définir les méthodes de communication externe et définir les paramètres d'impression.

Les données peuvent être envoyées vers une imprimante ou un PC.

Les paramètres d'usine par défaut sont indiqués en gras.

4.7.1 Menu RS232

Entrez dans ce menu pour définir les paramètres de communication.

Remarque : 2^e RS232 n'est disponible que pour le modèle i-DT61XWE.

Menu	Sous-menu	Sous-menu (dans le segment)	Options	Options (dans le segment)
RS232 (r.5.2.3.2) / 2ème PORT SÉRIE (2.5.E.r. 1.A)	Vitesse de transmission	bAUD	300, 600, 1200, 2400, 4800, 9600 , 19200, 38400, 57600	/
	Parité	PARITY	7 Pair, 7 Impair, 7 Aucun, 8 Aucun	7 EVEN, 7 Odd, 7 NONE, 8 NONE
	Bit d'arrêt	STOP	1 bit , 2 bits	/
	Poignée de main	HANDSHAKE	Aucun , Xon/Xoff	NONE , ONOFF
	Alt Print CMD	ALT.P	« A » ~ « Z », P	/
	Alt Tare CMD	ALT.T	« A » ~ « Z », T	/
	Alt Zero CMD	ALT.Z	« A » ~ « Z », Z	/
	Réinitialiser	rESET	\	/
	Fin	End	\	/

Réinitialiser [**rESET**]

Réinitialisez le menu RS232 aux paramètres d'usine.

NO = ne se réinitialise pas.

YES = réinitialiser

Vitesse de transmission [**bAUD**]

Réglez la vitesse de transmission (bits par seconde).

300 = 300 bps

600 = 600 bps

1 200	= 1 200 bps
2 400	= 2 400 bps
4 800	= 4 800 bps
9 600	= 9 600 bps
19200	= 19200 bps
38 400	= 38 400 bps
57 600	= 57600 bps

Parité [PARITY]

Définissez les bits de données et la parité.

7 EVEN	= 7 bits de données, parité paire
7 ODD	= 7 bits de données, parité impaire
7 NONE	= 7 bits de données, pas de parité
8 NONE	= 8 bits de données, pas de parité

Bit d'arrêt [STOP]

Définissez le nombre de bits d'arrêt.

1	= 1 bit d'arrêt
2	= 2 bits d'arrêt

Poignée de main [HANDSHAKE]

Définissez la méthode de contrôle de flux. La poignée de mains matérielle n'est disponible que pour le menu COM1.

NONE	= aucune poignée de mains
XONOFF	= poignée de mains logiciel XON / XOFF

Commande d'impression alternative [ALT.P]

Définissez le caractère de commande alternatif pour Imprimer.

Les réglages de A (a) à Z (z) sont disponibles. Le réglage par défaut est P.

Commande Tare alternative [ALT.T]

Définissez le caractère de commande alternatif pour Tare.

Les réglages de A (a) à Z (z) sont disponibles. Le réglage par défaut est T.

Commande de zéro alternatif [ALT.Z]

Définissez le caractère de commande alternatif pour Zéro.

Les réglages de A (a) à Z (z) sont disponibles. Le réglage par défaut est Z.

Fin [End]

Passez au menu suivant ou retournez en haut du menu actuel.

4.7.2 Menu d'impression

Accédez à ce menu pour définir les paramètres d'impression. Les paramètres par défaut sont **gras**.

Menu	Sous-menu	Sous-menu (dans le segment)	Options	Options (dans le segment)
Imprimer (P.r. 1.0.1.1)/ 2e impression (P.r. 1.0.1.2)	Affectation	ASS ION	Demande , Auto On Stable, Auto On Accept, Intervalle (secondes), MT-Continuous, OH-Continuous, SICS	dEPIIION , ON.StAb, ON.ACCEP, INtEr, IONt.CON, OH.CON, SICS
	Poids stable uniquement [Demande]	StAbLE	Off , On(Force LFT activée)	OFF , ON
	Mode [Auto On Stable]	IONdE	Charge , charge et zéro	LOAD , LOAD:Zr
	Heure [Intervalle (secondes)]	t IONtE	1~50 000	/
	Somme de contrôle [MT-Continuous]	t.SUMION	On, Off	ON, OFF
	Modèle	tEPIIIP	Simple , Personnalisé 1, Personnalisé 2, Personnalisé 3, Personnalisé 4, Personnalisé 5	S IONtP , CUSt 1, CUSt2, CUSt3, CUSt4, CUSt5
	Réinitialiser	rESEt	\	/
	Fin	End	\	/

Réinitialiser [rESEt]

Réinitialisez le menu d'impression aux paramètres d'usine par défaut.

NO = ne se réinitialise pas.

YES = réinitialiser

Affectation [ASS ION]

Demande [dEPIIION]

Si **Demande** est sélectionné, le sous-menu **Stable seulement** s'affiche.

Définissez les critères d'impression.

OFF = les valeurs sont imprimées immédiatement, quelle que soit la stabilité.

ON = les valeurs sont imprimées uniquement lorsque les critères de stabilité sont satisfaits.

Auto On Stable [ON.StAb]

Si **Auto On Stable** est sélectionné, le sous-menu **Mode** s'affiche.

Définissez le mode d'impression.

LOAD = imprime lorsque la charge affichée est stable.

LOAD:Zr = imprime lorsque la charge affichée et la lecture zéro sont stables.

Auto On Accept [ON.ACCEP]

Si **Auto On Accept** est sélectionné et que le mode de pesage est **Contrôle**, les valeurs seront imprimées lorsque le poids est accepté.

ON.ACCEP = l'impression se produit chaque fois que l'affichage est dans la plage acceptable et que les critères de stabilité sont remplis.

Intervalle [INtEr]

Si **Intervalle** est sélectionné, le sous-menu **Heure** s'affiche.

INtEr = l'impression se produit à l'intervalle de temps défini.

L'intervalle de temps peut être réglé à l'aide du clavier numérique.

Des réglages de 1 à 50000 secondes sont disponibles. La valeur par défaut est 1.
L'impression a lieu à l'intervalle de temps défini.

MT-Continuous [ᄁᄁᄁᄁᄁ]

Si **MT-Continuous** est sélectionné, la sortie d'impression sera au format **MT-Continuous**.

ᄁᄁᄁᄁᄁ = l'impression se produit en continu.

Remarque : Voir l'annexe A pour le format **MT-Continuous**.

ᄁᄁᄁᄁᄁ

Off = désactivé

On = activé

OH-Continuous [ᄁᄁᄁᄁᄁ]

Si **OH-Continuous** est sélectionné, la sortie d'impression sera au format **OH-Continuous**.

Remarque : Voir l'annexe A pour le format **OH-Continuous**.

ᄁᄁᄁᄁᄁ = l'impression se produit en continu.

SICS [5 ᄁ5]

ᄁᄁᄁ = désactiver la commande MT-SICS

ᄁᄁ = activer la commande MT-SICS

Remarque : Voir l'annexe B pour les commandes **SICS**.

Fin impression [ᄁᄁᄁ]

Passez au menu suivant ou retournez en haut du menu actuel.

Modèle [ᄁᄁᄁᄁᄁ]

Ce sous-menu est utilisé pour définir le format de la sortie des données vers une imprimante ou un ordinateur.

5 ᄁᄁᄁᄁᄁ = n'imprime que le résultat et l'unité

ᄁᄁᄁᄁ 1 = format d'impression personnalisé.

ᄁᄁᄁᄁ 2 = format d'impression personnalisé.

ᄁᄁᄁᄁ 3 = format d'impression personnalisé.

ᄁᄁᄁᄁ 4 = format d'impression personnalisé.

ᄁᄁᄁᄁ 5 = format d'impression personnalisé.

Exemple de modèle d'impression :

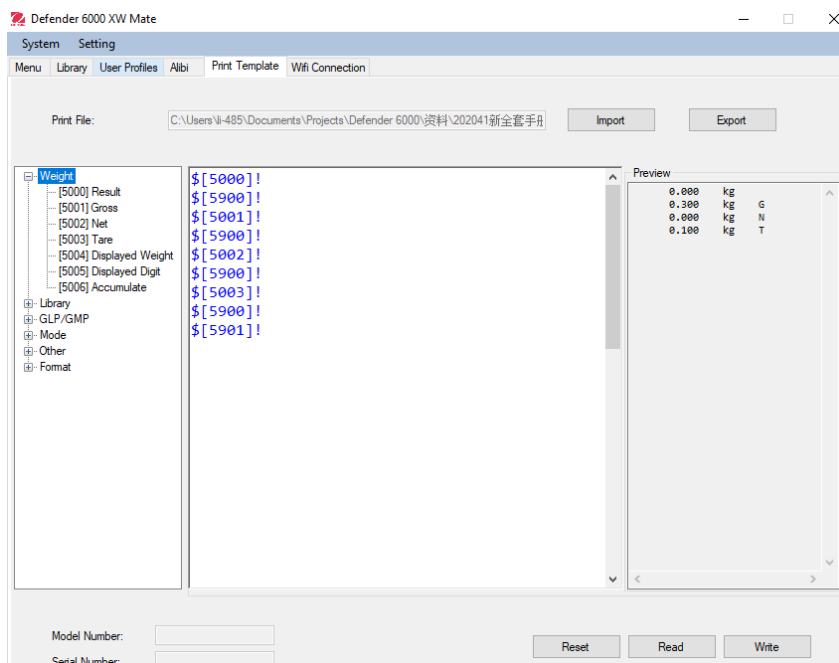
0,000 kg

0,300 kg G

0,000 kg N

0,100 kg T

Pour personnaliser le modèle d'impression, vous devez accéder au logiciel ScaleMate, sélectionner **Modèle d'impression** sur la barre supérieure, puis double-cliquer sur les éléments de la colonne de gauche pour sélectionner ceux que vous souhaitez mettre dans votre modèle d'impression.



Vous pouvez également saisir directement les éléments dans la colonne du milieu pour les personnaliser, en utilisant le format `$(XXXX)!`. XXXX fait référence au numéro d'index de chaque élément imprimé. Veuillez consulter le tableau suivant pour le numéro d'index de chaque élément.

Numéro d'index	Imprimer les éléments
5000	Résultat
5001	Brut
5002	Net
5003	Tare
5004	Poids affiché
5005	Chiffre affiché
5006	Accumuler
5100	ID
5101	PN
5102	Nom de la bibliothèque
5200	Date
5201	Heure
5202	ID du projet
5203	ID de la balance
5204	ID utilisateur
5205	ID de transaction
5300	Mode
5301	Information
5302	Cible
5400	ID d'alibi
5401	Statut d'entrée
5402	Statut de sortie
5403	SN
5900	Nouvelle ligne
5901	End

Remarque : Pour les autres fonctions du ScaleMate, veuillez contacter un revendeur agréé pour obtenir les instructions du logiciel.

4.7.3 Configuration RS485

Veuillez consulter la configuration RS485 dans le manuel d'instructions de l'interface *Defender® 6000 RS232/RS485/USB*.

4.7.4 Configuration Ethernet

Veuillez consulter Configuration dans le manuel d'instructions de l'interface Ethernet *Defender® 6000*.

4.7.5 Configuration analogique

Veuillez consulter Configuration analogique dans le manuel d'instructions du kit analogique *Defender® 6000*.

4.8 Mémoire

Le menu Mémoire est différent pour i-DT61PW et i-DT61XWE. Veuillez consulter les sections suivantes pour plus de détails.

4.8.1 Menu mémoire (pour le modèle i-DT61PW)

État [STATEUS]

Pour activer ou désactiver la fonction de mémoire.

OFF = pour désactiver la fonction de mémoire.

ON = pour activer la fonction de mémoire. Appuyez sur le bouton **Print** pour enregistrer les données de pesée.

Exporter [EXPORT]

Pour exporter les données de pesée.

NO = la fonction d'exportation des données de pesée est désactivée.

YES = la fonction d'exportation des données de pesée est activée.

Supprimer [DELETE]

Pour supprimer les données de pesée.

NO = pour ne pas supprimer les données de pesée

YES = pour supprimer les données de pesée

4.8.2 Mémoire USB (pour le modèle i-DT61XWE)

La clé USB est utilisée pour stocker les lectures de poids pour des besoins futurs. En connectant une clé USB à la balance, les lectures de poids peuvent maintenant être stockées directement sur la clé USB.

Remarque : ce menu n'est visible qu'après la détection d'une clé USB.

Les données seront stockées sur le lecteur flash à l'emplacement suivant :

SYSTEM\DATA

Un nouveau fichier sera créé tous les mois (un fichier txt stocke les données de sortie d'un mois entier...). Le nom du fichier txt sera année plus mois.TXT. Par exemple, le nom du fichier txt pour juin 2020 sera **202006.TXT**.

Pour activer la mémoire USB :

- Après avoir inséré une clé USB, appuyez longuement sur le bouton **Menu** jusqu'à ce que vous voyiez **C.A.L.**
- Appuyez brièvement sur le bouton **No** plusieurs fois pour parcourir jusqu'à ce que vous voyiez **ON.E.ON.O**. Appuyez sur le bouton **Yes**.
- Appuyez brièvement sur le bouton **No** pour parcourir jusqu'à ce que vous voyiez **USB**. Appuyez sur le bouton **Yes**.
- L'affichage clignote avec **ON**. Appuyez sur le bouton **Yes** pour activer.
- Le sous-menu Lien vers (**L ON**) apparaît. Appuyez sur le bouton **Yes** pour activer.
- Puis le sous-menu apparaît avec des sélections de RS232 (**rS232**), 2nd Serial (**2SER 1A**) et Ethernet (**EETHER**) . Choisissez celui que vous voulez et appuyez sur le bouton **Yes**.

7. L'écran affiche **End**. Appuyez sur le bouton **Yes**. L'écran affiche le menu suivant. Appuyez sur le bouton **Exit** pour quitter.

4.8.3 Mémoire Alibi (pour le modèle i-DT61XWE)

Remarque : Ce menu n'est visible que si l'option matérielle de la mémoire Alibi a été installée. Voir ci-dessous pour les instructions d'installation.

La mémoire Alibi est utilisée pour stocker l'historique des poids pour référence. Chaque enregistrement Alibi contient les éléments suivants :

- ID
- Poids brut / net, poids à vide et unité de poids
- Date et heure

Pour vérifier les enregistrements Alibi, vous devez installer le logiciel ScaleMate. Veuillez contacter un revendeur agréé pour obtenir le logiciel

Le nombre maximum d'enregistrements est 262112.

Lorsque la mémoire est pleine et qu'un autre enregistrement est stocké, le premier enregistrement est automatiquement supprimé. À ce moment, un message d'avertissement s'affiche, demandant la confirmation de l'utilisateur.

4.8.3.1 Activer Alibi

Autoriser :

1. Après avoir installé le matériel, appuyez longuement sur le bouton **Menu** jusqu'à ce que vous voyiez **C.R.L.**
2. Appuyez brièvement sur le bouton **No** plusieurs fois pour parcourir jusqu'à ce que vous voyiez **000.000.0**. Appuyez sur le bouton **Yes**.
3. Appuyez brièvement sur le bouton **No** pour parcourir jusqu'à ce que vous voyiez **AL I b 1**. Appuyez sur le bouton **Yes**.
4. L'affichage clignote avec **00**. Appuyez sur le bouton **Yes** pour activer Alibi.
5. L'écran affiche **End**. Appuyez sur le bouton **Yes**. L'écran affiche le menu suivant **L. I.b**. Appuyez sur le bouton **Exit** pour quitter.

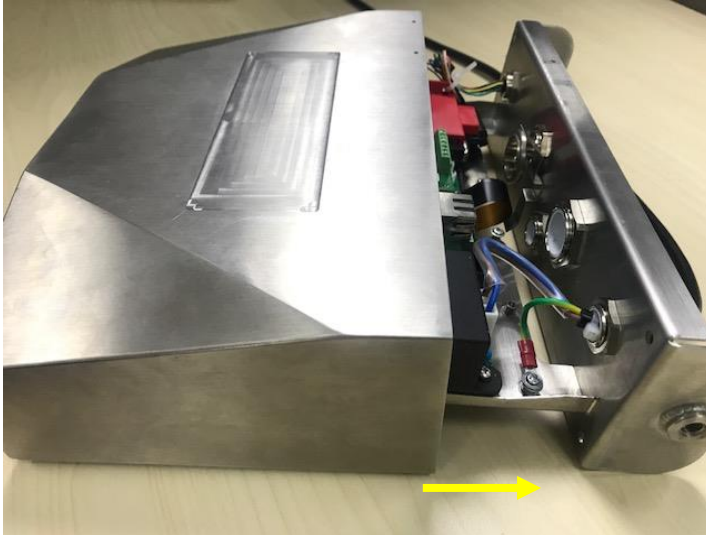
4.8.3.2 Installez Alibi

À installer :

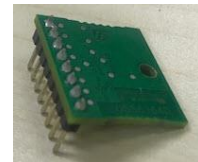
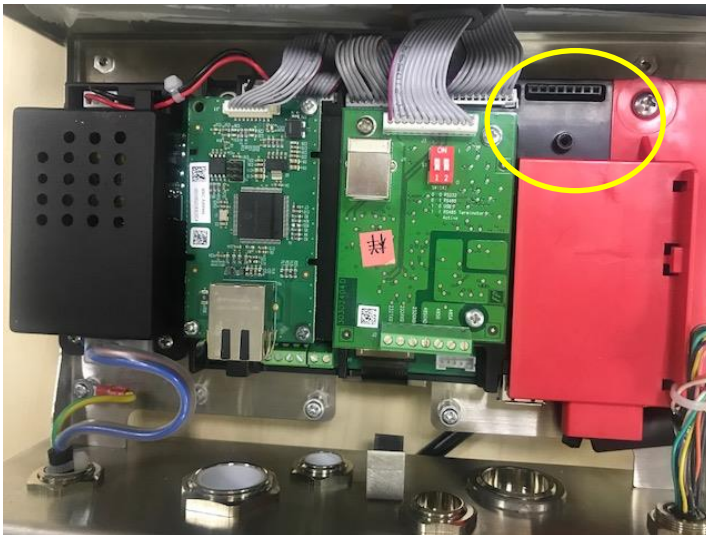
1. Éteignez et débranchez la borne. Déconnectez la borne du plateau de pesée le cas échéant.
2. Placez la borne vers le bas et dévissez les vis marquées dans le graphique suivant.



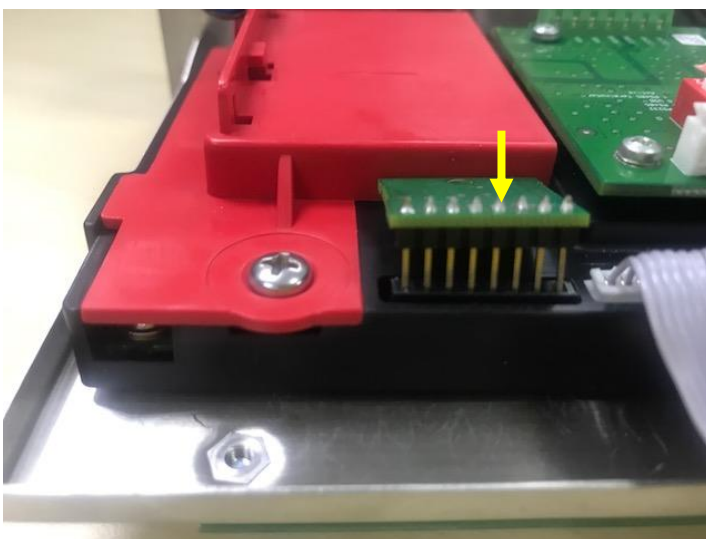
3. Tirez sur le bas de la borne.



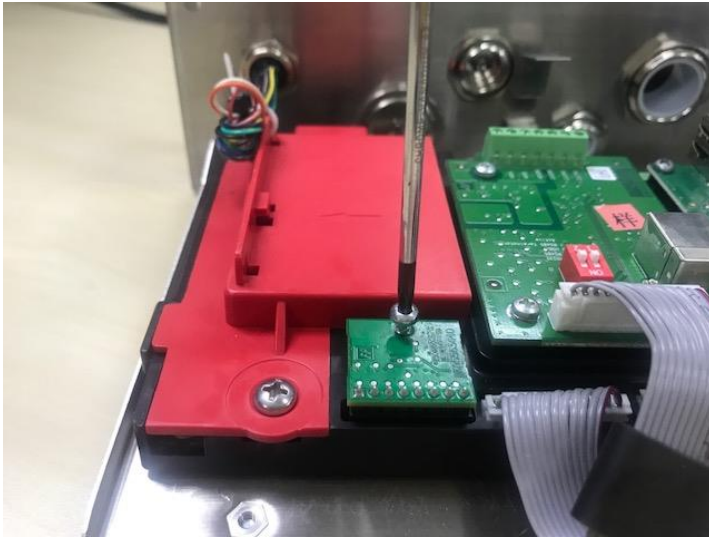
4. Retirez la carte mémoire Alibi et préparez-vous à l'installer à l'endroit encerclé.



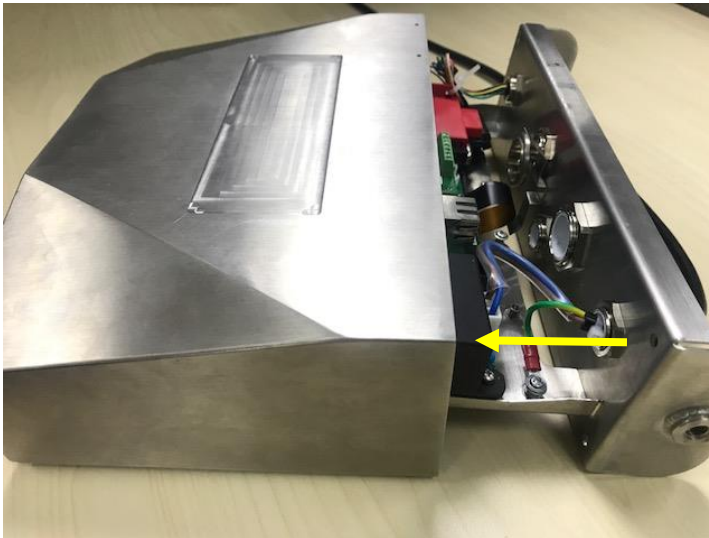
5. Insérez la carte mémoire Alibi dans la fente comme illustré ci-dessous. Veuillez vous assurer que les broches sont correctement insérées.



- Utilisez un tournevis pour serrer la vis et assurez-vous que la carte mémoire Alibi est correctement installée.

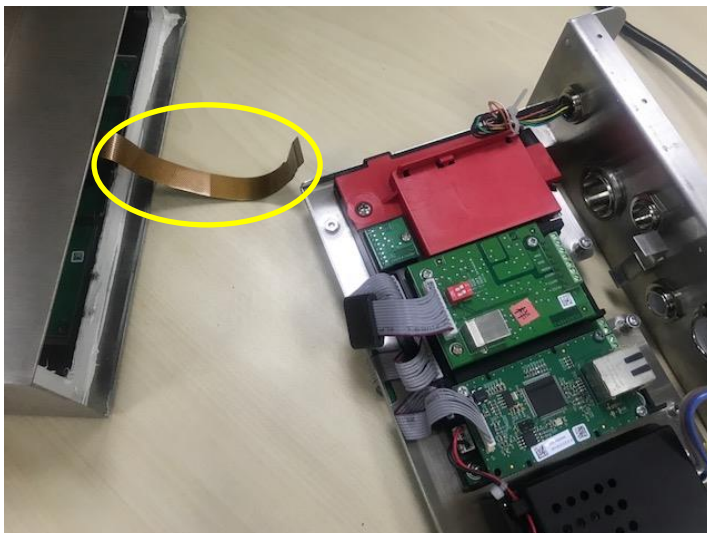


- Tirez sur le bas de la borne et assurez-vous que toutes les vis marquées à l'étape 2 sont serrées.



Remarque :

Il est possible que le câble du bouton se détache du bas de la borne lorsque vous le retirez. Dans ce cas, veuillez suivre les étapes suivantes pour reconnecter le câble du bouton :



1. Lorsque vous avez terminé d'installer la carte mémoire Albi, passez le câble du bouton à travers le bas du lecteur.



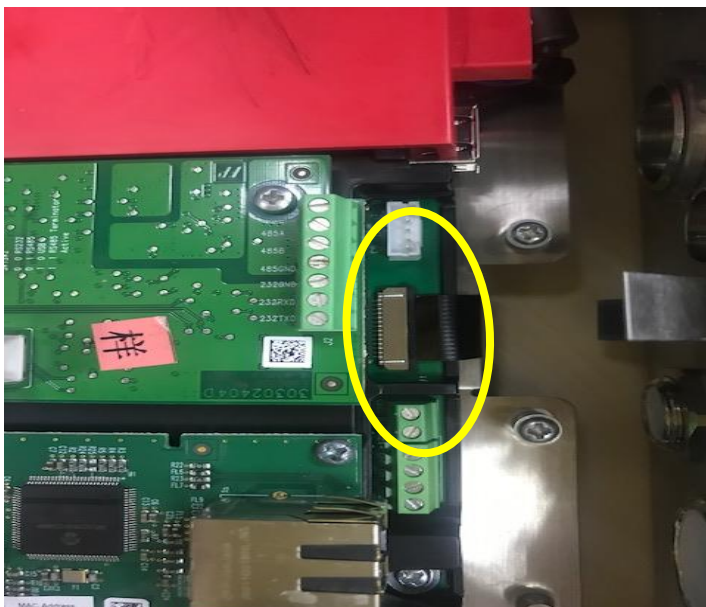
2. Et tirez-le sous la prise FPC. Poussez le câble du bouton plus loin sous la prise FPC afin que le câble soit fermement attaché.



3. Utilisez une pince ou d'autres outils pour tirer les côtés droit et gauche de la prise FPC.



- Assurez-vous que toute la prise FPC est enfoncée et que le câble du bouton y est fermement fixé.



- Répétez l'étape 7 précédente pour enfoncer le bas de la borne et serrer toutes les vis.

4.9 E/S discrète (pour le modèle i-DT61XWE)

Le menu E / S discret permet la configuration de 3 entrées et 4 sorties. L'entrée discrète0 est située en J16 sur la carte mère (veuillez voir la section **Carte mère** pour savoir où elle se trouve), tandis que d'autres entrées et sorties discrètes sont situées sur la carte optionnelle d'E / S discrète.

Menu	Sous-menu	Sous-menu (dans le segment)	Options	Options (dans le segment)
I.O. I.O.	Réinitialiser	RESET	non, oui	NO, YES
	TYPE	TYPE	OUVERT, FERMÉ	OPEN, CLOSED
	Entrée discrète0	INPUT0	Off, Zéro, Tare, Effacer la tare, Imprimer, Unité, Accumuler, Démarrer, Réinitialiser, Démarrer / Arrêter, Pause / Reprise	OFF, ZERO, TARE, CLR.TAR, PRINT, UNIT, ACCUM, START, RESET, START-SP, PAUSE
	Entrée discrète1	INPUT1	Off, Zéro, Tare, Effacer la tare, Imprimer, Unité, Accumuler, Démarrer, Réinitialiser, Démarrer / Arrêter, Pause / Reprise	OFF, ZERO, TARE, CLR.TAR, PRINT, UNIT, ACCUM, START, RESET, START-SP, PAUSE
	Entrée discrète2	INPUT2	Off, Zéro, Tare, Effacer la tare, Imprimer, Unité, Accumuler, Démarrer, Réinitialiser, Démarrer / Arrêter, Pause / Reprise	OFF, ZERO, TARE, CLR.TAR, PRINT, UNIT, ACCUM, START, RESET, START-SP, PAUSE
	Sortie discrète1	OUT1	Off, Surcharge, Sous-charge, Supérieur, Inférieur, Accepter, Supérieur/ Inférieur, SP1, SP2, SP3, SP4, Alarme	OFF, OVERLOAD, UNDERLOAD, OPEN, UNDER, ACCEPT, UN-OV, F.SP1, F.SP2, F.SP3, F.SP4, ALARM
	Sortie discrète2	OUT2	Off, Surcharge, Sous-charge, Supérieur, Inférieur, Accepter, Supérieur/ Inférieur, SP1, SP2, SP3, SP4, Alarme	OFF, OVERLOAD, UNDERLOAD, OPEN, UNDER, ACCEPT, UN-OV, F.SP1, F.SP2, F.SP3, F.SP4, ALARM
	Sortie discrète3	OUT3	Off, Surcharge, Sous-charge, Supérieur, Inférieur, Accepter, Supérieur/ Inférieur, SP1, SP2, SP3, SP4, Alarme	OFF, OVERLOAD, UNDERLOAD, OPEN, UNDER, ACCEPT, UN-OV, F.SP1, F.SP2, F.SP3, F.SP4, ALARM
	Sortie discrète 4	OUT4	Off, Surcharge, Sous-charge, Supérieur, Inférieur, Accepter, Supérieur/ Inférieur, SP1, SP2, SP3, SP4, Alarme	OFF, OVERLOAD, UNDERLOAD, OPEN, UNDER, ACCEPT, UN-OV, F.SP1, F.SP2, F.SP3, F.SP4, ALARM
	Fin	END	\	/

4.9.1 Type d'E / S

Réglez l'état de la sortie relais.

OPEN = l'état initial de la sortie relais est normalement ouvert.

CLOSED = l'état initial de la sortie relais est normalement fermé.

4.9.2 Entrée

La fonction des E / S d'entrée est définie ci-dessous.

OFF	La connexion d'entrée est désactivée.
ZERO	L'entrée externe lance une fonction Zéro
TARE	L'entrée externe lance une fonction Tare
CLR.TAR	L'entrée externe lance une fonction d'effacement de la tare
PRINT	L'entrée externe lance une fonction d'impression
UNIT	L'entrée externe lance une fonction d'unité
ACCUM	L'entrée externe lance une fonction d'accumulation
START	L'entrée externe lance une fonction de démarrage
RESET	L'entrée externe lance une fonction de réinitialisation
START-SP	L'entrée externe lance une fonction de démarrage, la deuxième entrée externe lance une fonction d'arrêt.
PAUSE	L'entrée externe lance une fonction de pause, la deuxième entrée externe lance une fonction de reprise.

4.9.3 Sortie

OFF	La connexion de sortie est désactivée.
OVERLOAD	Si le poids est supérieur, l'instrument effectuera une sortie relais.
UNDERLOAD	Si le poids est inférieur, l'instrument effectuera une sortie relais.
OVER	Si le poids est supérieur à la valeur supérieure que vous avez définie, l'instrument effectuera une sortie relais.
UNDER	Si le poids est inférieur à la valeur inférieure que vous avez définie, l'instrument effectuera une sortie relais
ACCEPT	Si le poids est dans la fourchette acceptable que vous avez définie, l'instrument effectuera une sortie relais
UN-OU	La valeur du poids est inférieure à la valeur inférieure ou supérieure à la valeur supérieure que vous avez définie, l'instrument effectuera une sortie relais
F.SP1	La valeur de poids est \geq SP1, l'instrument effectuera une sortie relais
F.SP2	La valeur de poids est \geq SP2, l'instrument effectuera une sortie relais
F.SP3	La valeur de poids est \geq SP3, l'instrument effectuera une sortie relais
F.SP4	La valeur de poids est \geq SP4, l'instrument effectuera une sortie relais

4.10 Configuration des touches de verrouillage

Ce menu **L.O.C.F** permet de verrouiller l'accès à certaines touches. Lorsque vous sélectionnez ON pour une sélection, la pression sur la touche associée sera sans effet.

Si vous sélectionnez Verrouiller toutes les touches, vous perdrez la fonction de toutes les touches. Pour déverrouiller, appuyez longuement sur le bouton **Menu** pendant 30 secondes pour entrer les paramètres afin de le déverrouiller.

Article	Paramètres disponibles (les paramètres par défaut sont en gras)
Verrouiller toutes les touches [L.ALL]	OFF, ON
Touche de verrouillage [L.OFF]	OFF, ON
Touche de verrouillage zéro [L.ZERO]	OFF, ON
Touche de verrouillage d'impression [L.PRINT]	OFF, ON
Touche de verrouillage d'unité [L.UNIT]	OFF, ON
Touche de verrouillage de mode [L.MODE]	OFF, ON
Touche de verrouillage du menu [L.MENU]	OFF, ON
Touche de verrouillage de la tare [L.TARE]	OFF, ON
Touche de verrouillage de la cible [L.TARGET]	OFF, ON
Touche de verrouillage numérique [L.NUM]	OFF, ON
Réinitialiser	NO, YES

Remarque : Si le bouton **Menu** a été verrouillé, appuyez longuement sur le bouton **Menu** pendant 30 secondes pour entrer les paramètres afin de le déverrouiller.

4.11 Bibliothèque (pour le modèle i-DT61XWE)

La bibliothèque prend en charge jusqu'à 400 enregistrements. Les modes d'application partagent une bibliothèque.

La bibliothèque peut être clonée par les méthodes ci-dessous :

1. Copiez tous les fichiers sur un périphérique USB.
2. Utilisez le logiciel ScaleMate (version 2.3.0 ou supérieure) pour lire tous les fichiers de la bibliothèque. Veuillez contacter un revendeur agréé pour obtenir le logiciel.

Répertoire

Bibliothèque	I-DT61XWLIB
--------------	-------------

Articles de bibliothèque

Les bibliothèques ont plusieurs éléments PN, Nom, Tare, Inférieur, Supérieur, Poids de référence, F.SP1, F.SP2, F.SP3 et F.SP4

PN (**PN**): Le numéro de pièce du matériau (unique).

Nom (**NAME**) : Le nom du matériau.

Inférieur (**Under**) : La sous-limite du contrôle.

Supérieur (**Over**) : La limite supérieure du contrôle.

Tare (**TARE**) : Le poids à vide du matériau.

Poids de référence (**REF.WGT**) : le poids de référence pour la pesée en pourcentage.

APW (**APW**) : le poids unitaire moyen pour le comptage.

F.SP1 (**F.SP 1**) : le premier poids cible pour le remplissage.

F.SP2 (**F.SP2**) : le deuxième poids cible pour le remplissage.

F.SP3 (**F.SP3**) : le troisième poids cible pour le remplissage.

F.SP4 (**F.SP4**) : le quatrième poids cible pour le remplissage.

Chaque mode de pesage prend en charge différents éléments. Voir le tableau ci-dessous :

Article \ Mode	PN	Nom	Inférieur	Supérieur	Tare	Poids de référence	APW	F.SP1	F.SP2	F.SP3	F.SP4
Pesée	X	X	X	X	X						
Pour cent	X	X	X	X	X	X					
Dynamique	X	X	X	X	X						
Remplir	X	X			X			X	X	X	X
Comptage	X	X	X	X	X		X				

Créer un nouvel élément de bibliothèque

Pour créer une nouvelle bibliothèque :

1. Appuyez longuement sur le bouton **Menu** jusqu'à ce que vous voyiez **C.A.L.** Appuyez brièvement sur le bouton **No** plusieurs fois pour parcourir jusqu'à ce que vous voyiez **L. I.b.** Appuyez sur le bouton **Yes**.
2. Appuyez sur le bouton **Yes** lorsque vous voyez **NAME**.
3. L'écran affiche le **TYPE**. Appuyez sur le bouton **Yes** pour sélectionner. Appuyez brièvement sur le bouton **No** pour sélectionner dans Pesage (**WGT ICH**), Pourcentage (**PERCENT**), Dynamique (**DYNAMIC**) et de Remplissage (**FILL**). Lorsque vous voyez le type souhaité, appuyez sur le bouton **Yes** pour le sélectionner.
4. L'écran affiche **PN**. Appuyez sur le bouton **Yes** pour saisir le numéro PN. Saisie à l'aide du clavier numérique. Appuyez sur le bouton **Yes** lorsque vous avez terminé.
5. L'écran affiche **NAME**. Appuyez sur le bouton **Yes** pour saisir le nom. Saisie à l'aide du clavier numérique. Appuyez sur le bouton **Yes** lorsque vous avez terminé.

6. Ensuite, l'écran affiche d'autres valeurs comme indiqué dans le tableau précédent pour chaque mode. Appuyez sur le bouton **Yes** pour saisir chaque valeur. Saisie à l'aide du clavier numérique. Appuyez sur le bouton **Yes** lorsque vous avez terminé.
7. L'écran affiche **End** lorsque vous avez terminé tous les réglages. Appuyez sur le bouton **Yes** pour confirmer.
8. L'écran affiche **SAVE**. Appuyez sur le bouton **Yes** pour enregistrer.
9. L'écran affiche le menu suivant **Edit**. Appuyez sur le bouton **Exit** pour quitter.

Remarque : Si vous n'avez pas besoin de saisir des valeurs pour certains éléments des étapes 5 à 7, vous pouvez appuyer sur la touche **No** pour passer à l'élément suivant.

Modifier un élément de la bibliothèque

Pour modifier un élément de la bibliothèque :

1. Appuyez longuement sur le bouton **Menu** jusqu'à ce que vous voyiez **C.A.L.** Appuyez brièvement sur le bouton **No** plusieurs fois pour parcourir jusqu'à ce que vous voyiez **L. I.b.** Appuyez sur le bouton **Yes**.
2. Appuyez sur le bouton **No** pour sélectionner jusqu'à ce que vous voyiez **Edit**. Appuyez sur le bouton **Yes**.
3. L'écran affiche **SEARCH**. Appuyez sur le bouton **Yes**.
4. Saisissez le numéro PN de l'élément de bibliothèque que vous devez modifier. Utilisez le clavier numérique pour saisir et appuyez sur le bouton **Yes** lorsque vous avez terminé.

Si vous avez besoin de rechercher le numéro PN, saisissez au moins un numéro du PN de cet élément à l'aide du clavier numérique, puis appuyez sur le bouton **Yes**. Le premier PN qui comprend le numéro que vous avez entré sera affiché. Appuyez brièvement sur le bouton **No** pour parcourir les différents numéros de produit. Lorsque vous trouvez celui que vous souhaitez, appuyez sur le bouton **Yes** pour confirmer.

Si vous entrez plus d'un numéro de PN, assurez-vous qu'ils sont consécutifs.

Par exemple, si vous souhaitez rechercher un élément de bibliothèque avec PN 76543, pour saisir un seul numéro, vous pouvez saisir 7, 6, 5, 4 ou 3. Pour saisir plus d'un numéro, vous pouvez saisir 76, 765, 54, 543 etc. Veuillez éviter de saisir des numéros inconséquentes, tels que 74, 753 etc. Le résultat n'apparaîtra pas.

5. L'écran affiche le numéro PN de l'élément de bibliothèque à modifier. Appuyez sur le bouton **Yes** pour confirmer.
6. L'écran affiche le **TYPE**.
 - Appuyez sur le bouton **Yes** si vous devez le modifier. Puis appuyez brièvement sur le bouton **No** pour sélectionner entre Pesage (**WEIGH**), Pourcentage (**PERCENT**), Dynamique (**DYNAMIC**) et Remplissage (**FILL**). Lorsque vous voyez le type souhaité, appuyez sur le bouton **Yes**.
 - Appuyez sur le bouton **No** si vous n'avez pas besoin de le modifier et passez à l'élément suivant.
7. Répétez l'étape 6 pour modifier tous les éléments dont vous avez besoin.
8. Lorsque vous avez terminé, continuez d'appuyer sur le bouton **No** jusqu'à ce que **End** s'affiche. Appuyez sur le bouton **Yes** pour confirmer.
9. L'écran affiche **SAVE**. Appuyez sur le bouton **Yes** pour enregistrer.
10. L'écran affiche **End**. Appuyez sur le bouton **Exit** pour quitter.

Rappeler un élément de la bibliothèque

Pour rappeler et utiliser un élément de la bibliothèque en mode Pesage, Comptage, Pourcentage, Dynamique et Remplissage :

Par l'entrée :

- Saisissez le PN pour l'élément de bibliothèque via le clavier numérique dans ces modes de pesage. Appuyez ensuite longuement sur le bouton **Lib** jusqu'à ce que le numéro de produit s'affiche à l'écran. Appuyez sur le bouton **Yes** pour confirmer.
- La recherche prend également en charge la saisie de PN abrégé. À cet effet, vous pouvez saisir au moins un numéro du PN via le clavier numérique, puis appuyer longuement sur le bouton **Lib**. Le premier numéro de produit qui comprend le numéro que vous avez entré sera affiché. Appuyez brièvement sur le bouton **No** pour parcourir les différents numéros de produit. Lorsque vous trouvez celui que vous souhaitez, appuyez sur le bouton **Yes** pour confirmer.

Si vous entrez plus d'un numéro de PN, assurez-vous qu'ils sont consécutifs.

Par exemple, si vous souhaitez rechercher un élément de bibliothèque avec PN 76543, vous pouvez saisir 76, 765, 54, 543 etc. Éviter de saisir des numéros inconséquentes, tels que 74, 753 etc. Le résultat n'apparaîtra pas.

Par RFID ou Barcoder

Lorsque le numéro de produit entré via un RFID ou Barcoder correspond à un numéro de produit dans la bibliothèque, la borne rappellera l'enregistrement de la bibliothèque.

Lorsqu'un enregistrement de bibliothèque est en cours d'utilisation, une flèche sur l'écran pointera vers l'icône

de bibliothèque .

Abandon d'un élément de la bibliothèque

Pour abandonner un élément de la bibliothèque en mode Pesage, Comptage, Pourcentage, Dynamique ou Remplissage :

1. Lors du pesage dans les modes ci-dessus, appuyez longuement sur le bouton **Lib**. L'écran affiche le numéro de produit de l'élément de bibliothèque utilisé.
2. Appuyez sur le bouton **CLR** lorsque vous voyez le numéro de produit affiché. L'écran affiche **CLR Lib**. Appuyez sur le bouton **Yes** pour effacer. Appuyez sur le bouton **No** pour revenir au mode d'application actif.

4.12 Utilisateur (pour le modèle i-DT61XWE)

Accédez à ce menu **U.S.E.r** pour ajouter ou modifier des utilisateurs. Le nombre maximum d'utilisateurs est de 100. L'enregistrement contient l'ID et le NOM. La longueur de l'ID et du NOM est d'environ 32 caractères.

Ajouter un utilisateur

Pour ajouter un nouvel utilisateur :

1. Appuyez longuement sur le bouton **Menu** jusqu'à ce que **CLRL** s'affiche. Appuyez brièvement sur le bouton **No** plusieurs fois jusqu'à ce que vous voyiez **U.S.E.r**. Appuyez sur le bouton **Yes**.
2. L'écran affiche **NEW**. Appuyez sur le bouton **Yes**.
3. L'écran affiche **Id**. Appuyez sur le bouton **Yes**, puis saisissez le nouvel identifiant via le clavier numérique. Appuyez sur le bouton **Yes** lorsque vous avez terminé.
4. L'écran affiche **NAME**. Appuyez sur le bouton **Yes**, puis saisissez le nouveau nom à l'aide du clavier numérique. Appuyez sur le bouton **Yes** lorsque vous avez terminé.
5. L'écran affiche **End**. Appuyez sur le bouton **Yes**.
6. L'écran affiche **SAVE**. Appuyez sur le bouton **Yes** pour enregistrer, et l'affichage passe au menu suivant **Ed It**.

Modifier un utilisateur

Pour modifier un utilisateur :

1. Appuyez longuement sur le bouton **Menu** jusqu'à ce que **CLRL** s'affiche. Appuyez brièvement sur le bouton **No** plusieurs fois jusqu'à ce que vous voyiez **U.S.E.r**. Appuyez sur le bouton **Yes**.
2. L'écran affiche **NEW**. Appuyez brièvement sur le bouton **No** pour sélectionner **Ed It**. Appuyez sur le bouton **Yes**.
3. L'écran affiche **SEARCH**. Appuyez sur le bouton **Yes**.
4. Saisissez l'ID utilisateur via le clavier numérique. Appuyez sur le bouton **Yes**. L'écran affiche l'identifiant de l'utilisateur. Appuyez sur le bouton **Yes**.

Vous pouvez également rechercher un identifiant d'utilisateur en tapant au moins un chiffre de l'identifiant via le clavier numérique, puis en appuyant sur le bouton **Yes**. Le premier identifiant d'utilisateur qui comprend le chiffre que vous avez entré sera affiché. Appuyez brièvement sur le bouton **No** pour parcourir les différents ID. Lorsque vous trouvez celui que vous souhaitez, appuyez sur le bouton **Yes** pour confirmer.

Si vous saisissez plus d'un chiffre de l'ID, assurez-vous qu'ils sont consécutifs.

Par exemple, si vous souhaitez rechercher un identifiant 76543, pour n'entrer qu'un seul chiffre, vous pouvez saisir 7, 6, 5, 4 ou 3. Pour saisir plus d'un numéro, vous pouvez saisir 76, 765, 54, 543 etc. Veuillez éviter de saisir des numéros sans conséquence, tels que 74, 753 etc. Le résultat n'apparaîtra pas.

5. L'écran affiche **Id**. Appuyez sur le bouton **Yes**, puis saisissez le nouvel identifiant via le clavier numérique. Appuyez sur le bouton **Yes** lorsque vous avez terminé.
6. L'écran affiche **NAME**. Appuyez sur le bouton **Yes**, puis saisissez le nouveau nom à l'aide du clavier numérique. Appuyez sur le bouton **Yes** lorsque vous avez terminé.
7. L'écran affiche **End**. Appuyez sur le bouton **Yes**.
8. L'écran affiche **SAVE**. Appuyez sur le bouton **Yes** pour enregistrer.
9. L'écran affiche **End**. Appuyez sur le bouton **Yes** et l'écran affiche **E.N.d.** pour le menu mémoire. Appuyez sur le bouton **Yes** pour quitter.

Rappeler un utilisateur

Pour rappeler un utilisateur en mode Pesage, Comptage, Pourcentage, Dynamique ou Remplissage :

Par l'entrée :


- Saisissez l'ID utilisateur via le clavier numérique dans ces modes de pesage. Appuyez ensuite longuement sur le bouton **User** jusqu'à ce que l'ID s'affiche à l'écran. Appuyez sur le bouton **Yes** pour confirmer.
- La recherche prend également en charge la saisie d'identifiant abrégé. Pour ce faire, vous pouvez saisir au moins un chiffre de l'ID via le clavier numérique, puis appuyer longuement sur le bouton **User**. Le premier numéro de produit qui comprend le numéro que vous avez entré sera affiché. Appuyez brièvement sur le bouton **No** pour parcourir les différents ID. Lorsque vous trouvez celui que vous souhaitez, appuyez sur le bouton **Yes** pour confirmer.

Si vous entrez plus d'un chiffre d'ID, assurez-vous qu'ils sont consécutifs.

Par exemple, si vous souhaitez rechercher un ID utilisateur 76543, vous pouvez saisir 76, 765, 54, 543 etc. Éviter de saisir des nombres inconséquents, tels que 74, 753 etc. Le résultat n'apparaîtra pas.

Par RFID ou Barcoder

Lorsque l'ID utilisateur entré via un RFID ou Barcoder correspond à un ID utilisateur dans la bibliothèque, la borne appellera l'utilisateur.

Lorsqu'un utilisateur est en cours d'utilisation, une flèche sur l'écran pointe vers l'icône de l'utilisateur . Plus tard, lorsque vous sélectionnez l'utilisateur dans le modèle d'impression, l'identifiant de l'utilisateur sera imprimé.

Abandonner un utilisateur

Pour abandonner un utilisateur en mode Pesage, Pourcentage, Dynamique ou Remplissage :

1. Lors du pesage dans les modes ci-dessus, appuyez longuement sur le bouton **User**. L'écran affiche l'ID utilisateur actuellement utilisé.
2. Appuyez sur le bouton **CLR** lorsque vous voyez l'ID affiché. L'écran affiche **CLRL ib**. Appuyez sur le bouton **Yes** pour effacer. Appuyez sur le bouton **No** pour revenir au mode d'application actif.

4.13 USB (pour le modèle i-DT61XWE)

Ce menu s'affiche lorsque vous branchez une clé USB, RFID, lecteur de codes-barres, clavier ou dongle Wi-Fi / Bluetooth (en option).

Menu	Sous-menu	Sous-menu (dans le segment)	Options	Options (dans le segment)
USB U.5.b	Réinitialiser	rESEt	Non, Oui	NO, YES
	TYPE	TYPE	Lecteur flash / RFID / Scanner de codes à barres / clavier	d ISt, rF Id, bArCod, tEybd
	menu d'exportation [Lecteur flash]	E.MENU	\	
	menu d'importation [Lecteur flash]	I.MENU	\	
	bibliothèque d'exportation [Lecteur flash]	E.L Ib	\	
	bibliothèque d'importation [Lecteur flash]	I.L Ib	\	
	exporter l'utilisateur [Lecteur flash]	E.USER	\	
	importer l'utilisateur [Lecteur flash]	I.USER	\	
	Longueur [Code à barres]	LENGTH	XXXXXXXX	
	Chiffre de départ [Code à barres]	Std ID It	XX	
	End	End	\	/

4.13.1 Clé USB

La fonction du menu de clé USB est définie ci-dessous :

E.MENU	Exporter les paramètres du menu sur une clé USB
I.MENU	Importer les paramètres de menu depuis une clé USB
E.L Ib	Exporter des bibliothèques vers une clé USB
I.L Ib	Importer des bibliothèques depuis une clé USB
E.USER	Exporter les profils utilisateur vers une clé USB
I.USER	Importer des profils utilisateur à partir d'une clé USB

Remarque : Les Paramètres de menu / Utilisateur / Bibliothèque peuvent être exportés vers un lecteur flash. Ce lecteur flash peut être inséré dans une autre borne, et les Paramètres de menu peuvent être importés vers la borne. Une fois l'importation terminée, la borne redémarrera. Après cela, les configurations de menu des deux bornes sont les mêmes.

4.13.2 RFID

Utilisez un lecteur RFID pour rechercher PN (numéro de produit) / ID utilisateur afin de rappeler et utiliser l'élément de bibliothèque ou l'utilisateur associé pendant le pesage. Utilisez un lecteur RFID pour saisir des chiffres en mode de saisie.

Puisqu'il existe de nombreuses marques d'appareils RFID sur le marché, OHAUS a testé et confirmé que moins d'un RFIDeas (www.RFIDeas.com) est compatible : RDR-6081AKU-C06.

4.13.3 code à barre

Utilisez un lecteur de codes à barres pour rechercher PN (numéro de produit) / ID utilisateur afin de rappeler et utiliser l'élément de bibliothèque ou l'utilisateur associé pendant le pesage.

Utilisez un scanner de code-barres pour saisir des nombres en mode de saisie.

LENGTH	Spécifiez la longueur de la chaîne lue à partir du scanner de code-barres.
Start ID It	Spécifiez le chiffre de départ de la chaîne lue à partir du scanner de code-barres. Le scanner de code-barres ne répondra que lorsque le chiffre de départ correspond à votre réglage.

Comme il existe de nombreuses marques de scanners de code-barres sur le marché, OHAUS a testé et confirmé que les scanners de codes-barres de Datalogic® ci-dessous sont compatibles :

Série QuickScan

4.13.4 Clavier

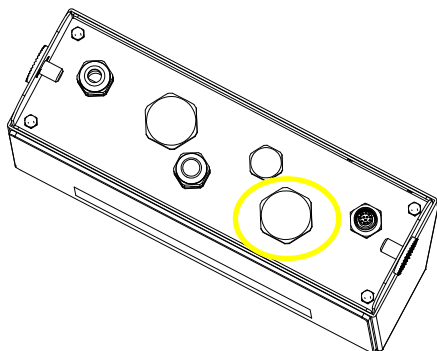
Utilisez un clavier pour saisir des chiffres en mode de saisie.

4.13.5 Dongle Wi-Fi / Bluetooth (en option)

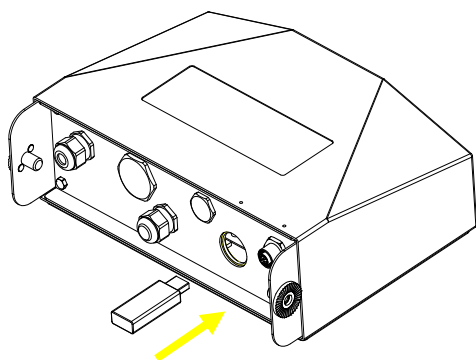
Un dongle USB Wi-Fi / Bluetooth peut aider la borne à recevoir des données transmises via Wi-Fi ou Bluetooth. C'est une option et vous pouvez contacter un revendeur OHAUS agréé pour l'obtenir.

4.13.5.1 Installer un dongle USB Wi-Fi / Bluetooth

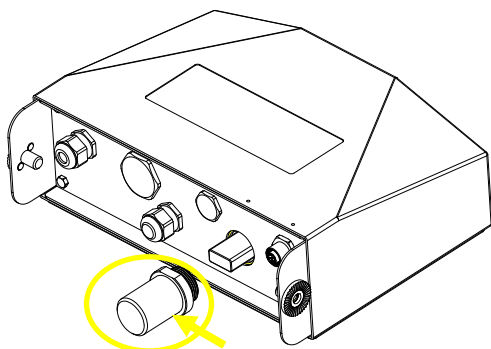
1 Retirez le couvercle M25 situé au bas de l'indicateur.



2 Branchez le dongle USB Wi-Fi / Bluetooth via le trou M25.



- 3 Fermez le couvercle du dongle USB.



Couvercle du dongle USB Wi-Fi / Bluetooth

Remarque : Ce couvercle est également une option, veuillez contacter un revendeur OHAUS agréé pour l'obtenir.

2.13.5.2 Configuration

Après avoir inséré le dongle, l'indicateur le reconnaîtra et ajoutera les éléments pertinents au menu. L'indicateur affiche l'adresse IP et vous devez définir d'autres paramètres via le logiciel OHAUS ScaleMate. Pour obtenir le logiciel, veuillez contacter un revendeur agréé OHAUS.

Remarque : pour savoir comment régler les paramètres dans le logiciel ScaleMate, veuillez consulter la vidéo d'instructions du logiciel via un revendeur OHAUS agréé.

Configuration sans fils

Menu	Sous-menu	Sous-menu (dans le segment)	Options	Options (dans le segment)
Sans fil Wi-Fi / Bluetooth	Réinitialiser	RESET	Non, Oui	NO, YES
	Type	TYPE	wifi, bluetooth	WiFi, Bluetooth
	Adresse IP [Wifi]	IP.Addr	XXXXXX-XXXX (169.254.1.1-6060)	/
	Nom de l'appareil [bt]	DeviceName	XXXXXX	/
	Code PIN [bt]	PIN	XXXXXX	/
	Alt Print CMD	Alt.P	A~Z, P	/
	Alt Tare CMD	Alt.T	A~Z, T	/
	Alt Zero CMD	Alt.Z	A~Z, Z	/
End	FIN	\	/	

Adresse MAC

L'adresse MAC (contrôle d'accès au support) du Wi-Fi / Bluetooth n'est pas modifiable.

Port

La valeur par défaut du port IP est 6060.

DHCP

Si DHCP est réglé sur **ON**, le partage IP ou le routeur attribuera automatiquement une adresse IP. Si le DHCP est réglé sur **OFF**, les utilisateurs doivent configurer l'adresse IP, masque de sous-réseau, passerelle, DNS primaire et DNS secondaire. S'il n'y a pas de serveur DHCP dans le réseau, le serveur DHCP de la carte optionnelle Ethernet le deviendra.

Remarque : Après la configuration de l'adresse IP, masque de sous-réseau, passerelle, DNS primaire et DNS secondaire, veuillez redémarrer l'indicateur pour activer les paramètres.

Adresse IP

L'IP est 192.168.1.2 par défaut.

Masque de sous-réseau

Le masque de sous-réseau est 255.255.255.0 par défaut.

Passerelle

La passerelle est 192.168.1.1 par défaut.

DNS primaire et DNS secondaire

La valeur DNS n'est pas nécessaire lorsque le système se connecte à un LAN, et elle est attribuée par l'ISP lorsqu'il est connecté à Internet.

Commande alternative

La commande alternative Print, Tare, Zero peut être définie sur « a » ~ « z » ou « A » ~ « Z ».

Remarque : Le sous-menu s'affiche après l'installation du dongle.

Configuration de l'impression

Pour la configuration de l'impression Wi-Fi et Bluetooth, veuillez voir la section **Menu d'impression** dans la partie **Communication** pour plus de détails sur les paramètres d'impression.

Configuration Bluetooth

Pour coupler votre appareil avec la borne via Bluetooth, prenez Windows 10 comme exemple :

1. Cliquez sur **Paramètres** dans le menu **Démarrer**.
2. Sélectionnez **Périphériques (Bluetooth, imprimantes, souris)** dans la fenêtre contextuelle **Paramètres** ou tapez Bluetooth dans la barre de recherche de la fenêtre pour lancer le programme **Bluetooth et autres appareils**.
3. Cliquez sur **Ajouter Bluetooth ou un autre périphérique**.
4. Sélectionnez **Bluetooth** dans la fenêtre contextuelle **Ajouter un périphérique**.
5. Sélectionnez le nom du Bluetooth de votre borne à coupler, puis vérifiez le code PIN qui apparaît avec celui-ci.
6. Saisissez le code PIN via le clavier numérique de votre borne.
7. Si **Votre appareil est prêt à fonctionner** apparaît sur votre ordinateur, cela signifie que la connexion a réussi.
8. Si vous avez besoin de vérifier quels ports COM (série) le Bluetooth de votre ordinateur utilise, suivez les étapes suivantes :
 - a) Sur la page **Bluetooth et autres périphériques**, au lieu de cliquer sur **Ajouter Bluetooth ou autre périphérique**, baissez la page et trouvez **Plus d'options Bluetooth** sous **Paramètres associés**.
 - b) Cliquez sur **Plus d'options Bluetooth**.
 - c) Sélectionnez **Ports COM** sur la barre supérieure, et vous verrez les ports COM (série) actifs.

Remarque : si vous utilisez un autre appareil pour le coupler avec la borne, veuillez suivre la méthode d'appairage Bluetooth de l'appareil spécifique.

5. APPROUVÉ

Lorsque l'indicateur est utilisé dans le commerce ou dans une application légalement contrôlée, il doit être installé, vérifié et scellé conformément aux réglementations locales sur les poids et mesures. Il est de la responsabilité de l'acheteur de s'assurer que toutes les exigences légales pertinentes sont respectées.

5.1 Réglages

Avant la vérification et le scellement, effectuez les étapes suivantes :

1. Vérifiez que les paramètres du menu sont conformes aux réglementations locales sur les poids et mesures.
2. Effectuez un étalonnage comme expliqué dans la section **Menu d'étalonnage**.
3. Éteignez l'indicateur.

Pour activer l'interrupteur de sécurité :

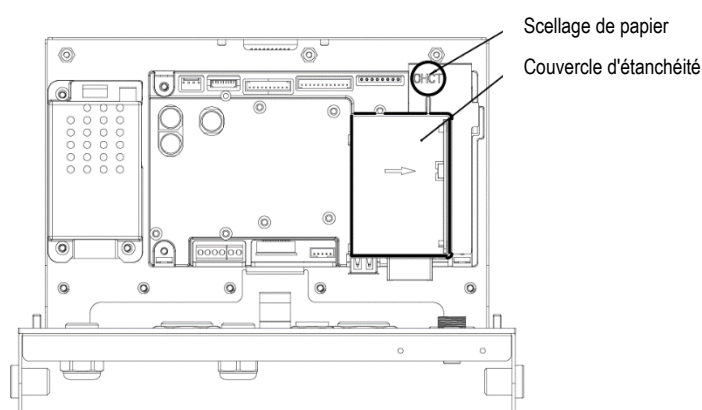
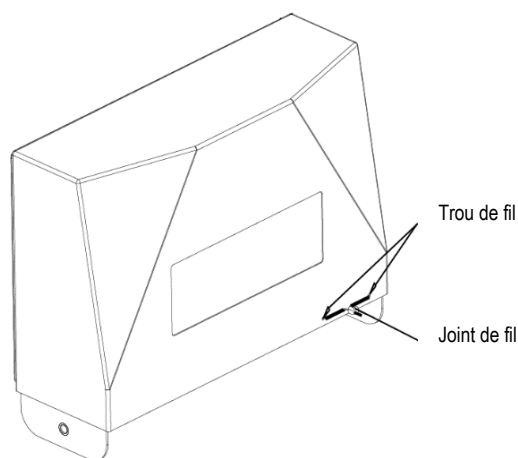
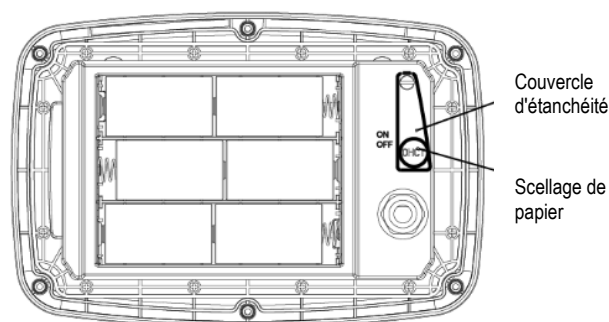
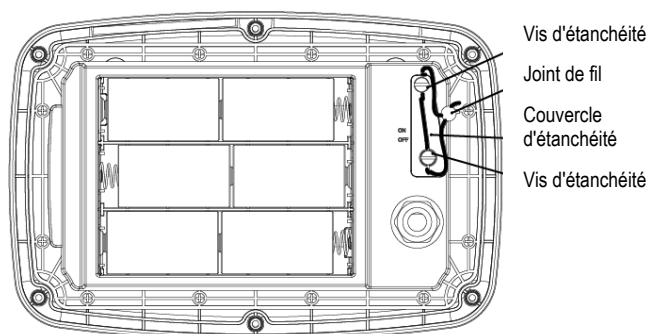
1. Débranchez l'alimentation de l'indicateur et ouvrez le boîtier comme expliqué dans la section **Ouverture du boîtier** du chapitre **Installation**. (Retirez les piles pour le modèle i-DT61PW).
2. Réglez la position de l'interrupteur de sécurité SW1 sur ON. (Vérifiez la section **Carte mère** pour savoir où SW1 est situé sur la carte mère).
3. Fermez le boîtier.
4. Rebranchez l'alimentation et allumez l'indicateur. (Réinstallez les piles pour le modèle i-DT61PW).

4.1 Vérification

L'agent d'entretien officiel ou autorisé des poids et mesures locaux doit effectuer la procédure de vérification.

4.2 Scellage

Une fois que la balance a été vérifiée, elle doit être scellée pour empêcher tout accès non détecté aux paramètres légalement contrôlés. Reportez-vous aux illustrations ci-dessous pour les méthodes de scellage.



Lorsque l'indicateur i-DT61PW ou i-DT61XWE est connecté à une base OHAUS série Defender 6000 dotée de la fonction EasyConnect™. Il dispose d'un module de mémoire sur le câble de la cellule de charge et le câble de connexion est scellé par couplage logiciel, de sorte qu'aucune étanchéité matérielle du câble n'est nécessaire.

Une fois que l'indicateur ou la base est remplacé par un nouveau, un message d'erreur (**Error 8.9**) apparaîtra dans la fenêtre affichée de l'indicateur.

Lorsque l'indicateur i-DT61PW ou i-DT61XWE est connecté à une base extérieure qui ne comprend pas de module de mémoire, la connexion entre l'indicateur et le récepteur de charge doit être scellée à l'aide d'un couvercle de connecteur (P / N : 30538022), un autocollant d'étanchéité ou un joint de fil.

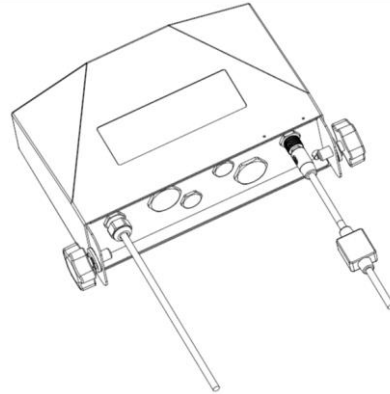


Figure 5-5. Câble de raccordement avec connecteur et module de mémoire

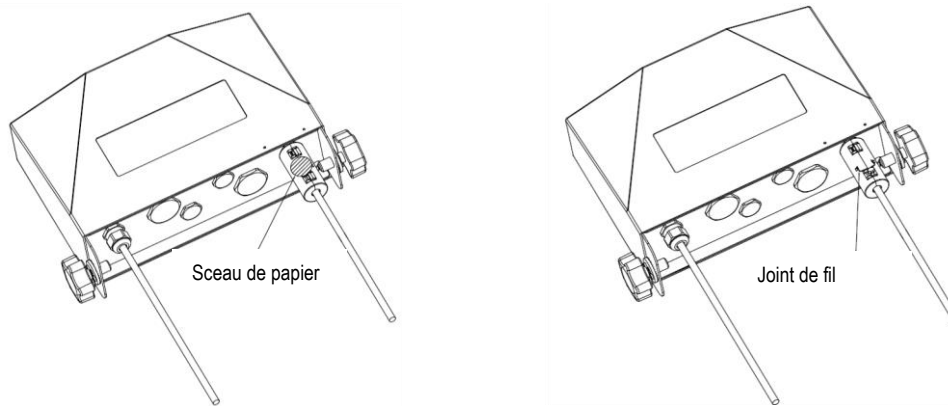


Figure 5-6. Câble de raccordement avec connecteur et sans module de mémoire

5. MAINTENANCE

MISE EN GARDE : DÉBRANCHEZ L'APPAREIL DE L'ALIMENTATION ÉLECTRIQUE AVANT LE NETTOYAGE.

5.1 Nettoyage



AVERTISSEMENT : Risque de choc électrique. Débranchez l'équipement de l'alimentation électrique avant de le nettoyer.

Assurez-vous qu'aucun liquide ne pénètre à l'intérieur de l'instrument.



Attention : N'utilisez pas de solvants, produits chimiques agressifs, ammoniac ou agents de nettoyage abrasifs.

Le boîtier peut être nettoyé à l'aide d'un chiffon imbibé d'un détergent doux si nécessaire.

5.1.1 Nettoyage du modèle i-DT61PW

- Le boîtier peut être nettoyé à l'aide d'un chiffon imbibé d'un détergent doux si nécessaire.
- N'utilisez pas de solvants, produits chimiques, alcool, ammoniac ou abrasifs pour nettoyer le boîtier ou le panneau de commande.

5.1.2 Nettoyage du modèle i-DT61XWE

- Utilisez des solutions de nettoyage approuvées pour le boîtier de l'indicateur en acier inoxydable et rincez à l'eau.
Sécher soigneusement.
- N'utilisez pas de solvants, produits chimiques, alcool, ammoniac ou abrasifs pour nettoyer le panneau de commande.

5.2 Dépannage

TABLEAU 6-1 Dépannage

SYMPTÔME	CAUSE(S) PROBABLE(S)	SOLUTION
Erreur EEP	Erreur de somme de contrôle EEPROM	Données EEPROM corrompues
L'appareil ne s'allumera pas.	Le cordon d'alimentation n'est pas branché ou correctement connecté. La prise de courant ne fournit pas d'électricité. Batterie déchargée (i-DT61PW). Autre défaut.	Vérifiez les connexions du cordon d'alimentation. Assurez-vous que le cordon d'alimentation est correctement branché dans la prise de courant. Vérifiez la source d'alimentation. Remplacez les piles (i-DT61PW). Entretien requis.
Impossible de mettre la balance à zéro ou ne pourra pas être mis à zéro lorsqu'elle est activée.	La charge de la balance dépasse les limites autorisées. La charge sur la balance n'est pas stable. Endommagement de la cellule de charge.	Retirez la charge sur la balance. Attendez que la charge devienne stable. Entretien requis.
Impossible de calibrer.	Menu de verrouillage d'étalonnage réglé sur Activé. Menu LFT réglé sur On. Valeur incorrecte pour la masse d'étalonnage.	Réglez le menu de verrouillage d'étalonnage sur Désactivé. Reportez-vous à la section 3.12 Verrouillage du menu. Réglez le menu LFT sur Off. Utilisez une masse d'étalonnage appropriée.
Impossible d'afficher le poids dans l'unité de pesée souhaitée.	L'unité n'est pas réglée sur On.	Activez l'unité dans le menu Unités. Consultez la section Menu de l'unité pour obtenir de l'aide.
Impossible de modifier les paramètres du menu.	Le menu a été verrouillé.	Réglez le menu sélectionné sur Off dans le menu de verrouillage. L'interrupteur de verrouillage de la carte de circuit imprimé peut devoir être réglé sur Off.
Error 8.1	La mesure du poids dépasse la limite d'étalonnage du zéro à la mise en marche.	Retirez la charge de la balance. Recalibrez la balance.
Error 8.2	Lecture de poids sous la limite d'étalonnage du zéro à la mise en marche.	Ajoutez une charge sur la balance. Recalibrez la balance.
Error 8.3	La mesure du poids dépasse la limite de surcharge.	Réduisez la charge sur la balance.
Error 8.4	Mesure de poids sous le seuil de sous-charge.	Ajoutez une charge sur la balance. Recalibrez la balance.
Error 8.5	Le poids dépasse six chiffres. Afficher l'excédent.	Réduisez la charge sur la balance.
Error 8.8	Les données d'étalonnage d'usine dans le module de mémoire à l'extrémité du câble de la cellule de charge ne sont pas valides sous l'état LFT OFF.	Calibrez la balance.
Error 8.9	Échec de lecture du numéro de série du module de mémoire ou le numéro de série ne correspond pas à l'indicateur sous l'état LFT ON.	Brisez le joint ou remplacez la base / l'indicateur d'origine.
Error 9.5	Manque de données d'étalonnage.	Calibrez la balance.
Le symbole de la pile clignote	Les piles sont déchargées.	Remplacez les piles (i-DT61PW).
ERR E	Valeur d'étalonnage en dehors des limites autorisées	Utilisez un poids d'étalonnage approprié.
8.5.5	Tentative de sortie du menu avec le réglage LFT sur ON et l'interrupteur de sécurité sur OFF.	Consultez le chapitre APPROUVÉ pour plus de détails sur la façon de régler l'interrupteur de sécurité sur la position ON.
REF Unit Err	Poids de référence trop petit. Le poids sur la plate-forme est trop petit pour définir un poids de référence valide.	Utilisez un poids plus élevé comme échantillon

5.3 Informations sur le service

Si la section de dépannage ne résout pas votre problème, contactez un agent de d'entretien OHAUS agréé. Pour un service d'assistance aux États-Unis, composez le numéro gratuit 1-800-526-0659 entre 8h 00 et 17h 00, heure normale de l'Est. Un spécialiste du service produit OHAUS sera disponible pour vous aider. En dehors des États-Unis, veuillez visiter notre site Web www.ohaus.com pour localiser le bureau OHAUS le plus proche de chez vous.

6. DONNÉES TECHNIQUES

6.1 Spécifications

Matériaux

Boîtier I-DT61XWE : acier inoxydable 316

Boîtier I-DT61PW : polycarbonate (PC)

Fenêtre d'affichage : polycarbonate (PC)

Clavier : polycarbonate (PC)

Évaluations de l'équipement :

Utilisation en intérieur uniquement

Altitude : 2000 m

Température de
fonctionnement : -10° C à 40° C

Humidité : humidité relative maximale 80 % pour des températures jusqu'à 31° C diminuant linéairement à 50 % d'humidité relative à 40° C.

Alimentation électrique : 100 à 240 V ~, 0,5 A, 50 / 60Hz (i-DT61XWE) ; 6 batteries alcalines D (i-DT61PW).

Fluctuations de tension : Fluctuations de la tension d'alimentation du secteur jusqu'à ± 10 % de la tension nominale.

Catégorie de surtension
(catégorie d'installation) : II

Degré de pollution : 2

Modèle	i-DT61PW
Construction	Boîtier en plastique polycarbonate, support en acier inoxydable 304
Protection	IP68 / IP69k
Résolution maximale affichée	1:75 000
Résolution maximale approuvée	1:10 000 (CE, OIML et NTEP) Classe III
Unités de pesage	Kilogramme, gramme, livre, once, livre : Once, tonne (Tonne métrique)
Modes	Pesage de base, pesée en pourcentage, comptage de pièces avec APW optimisé, contrôle de pesée / comptage, pesage dynamique
Écran	Écran LCD à 6 chiffres et 7 segments avec rétroéclairage blanc, chiffres de 45 mm de hauteur
Indicateur de contrôle	barre LED à 3 couleurs (rouge, verte, jaune)
Clavier	6 touches mécaniques de fonction
Suivi du zéro automatique	Off, 0,5 d, 1 d ou 3 d
Tension d'excitation de la cellule de charge	3,3 V CC
Entraînement de cellule de charge	Jusqu'à 4 cellules de charge de 350 ohms
Sensibilité d'entrée de la cellule de charge	Jusqu'à 3 mV / V
Puissance	6 piles alcalines D
Durée de vie de la pile	1500 heures d'utilisation continue avec rétroéclairage éteint
Interface	Port de communication USB infrarouge
Dimensions d'expédition	300 x 265 x 135 mm 11,8 x 10,4 x 5,3 pouces
Dimensions du produit (avec support)	10,4 x 8,9 x 3,3 pouces / 265 x 225 x 85 mm
Env. Poids net	2,7 kg / 6,0 lb
Env. Poids à l'expédition	3,8 kg / 8,4 lb
Plage de température de fonctionnement	14° F à 104° F / -10° C à 40° C

Modèle	i-DT61XWE
Construction	Boîtier en acier inoxydable 316, support en acier inoxydable 316
Protection	IP68 / IP69k
Résolution maximale affichée	1:75 000
Résolution maximale approuvée	1:10 000 (CE, OIML et NTEP) Classe III
Unités de pesage	Kilogramme, gramme, livre, once, livre : Once
Modes	Pesage de base, Pesage en pourcentage, Pesage de contrôle / pourcentage, Pesage dynamique, Pesage de remplissage, Comptage
Écran	LED blanche à 6 chiffres et 7 segments, chiffres de 20 mm de hauteur
Indicateur de contrôle	Matrice à points 8x16 à 3 couleurs (rouge, vert, orange)
Clavier	6 touches de fonction + 12 pavés numériques capacitifs alphanumériques
Suivi du zéro automatique	Off, 0,5 d, 1 d ou 3 d
Tension d'excitation de la cellule de charge	5VDC
Entraînement de cellule de charge	Jusqu'à 4 cellules de charge de 350 ohms
Sensibilité d'entrée de la cellule de charge	Jusqu'à 3 mV / V
Temps de stabilisation	2 secondes
Puissance	Alimentation universelle 100-240 VCA / 50/60 Hz, câblée
Interface	RS232 standard, hôte USB Ethernet en option, WiFi / Bluetooth, 2e RS232 / RS485 / USB, sortie analogique, E / S discrètes à 2 entrées / 4 sorties
Dimensions d'expédition	300 x 265 x 135 mm 11,8 x 10,4 x 5,3 pouces
Dimensions du produit (avec support)	11,4 x 9,3 x 3,1 pouces / 290 x 235 x 80 mm
Env. Poids net	3,2 kg / 7,0 lb
Env. Poids à l'expédition	3,5 kg / 7,7 lb
Plage de température de fonctionnement	14° F à 104° F / -10° C à 40° C





6.2 Tableau des valeurs géographiques

TABLEAU 6-1 CODES GÉO

		Elevation in meters										
		0	325	650	975	1300	1625	1950	2275	2600	2925	3250
		325	650	975	1300	1625	1950	2275	2600	2925	3250	3575
		Elevation in feet										
		0	1060	2130	3200	4260	5330	6400	7460	8530	9600	10660
		1060	2130	3200	4260	5330	6400	7460	8530	9600	10660	11730
Latitude		GEO value										
0°00'	5°46'	5	4	4	3	3	2	2	1	1	0	0
5°46'	9°52'	5	5	4	4	3	3	2	2	1	1	0
9°52'	12°44'	6	5	5	4	4	3	3	2	2	1	1
12°44'	15°06'	6	6	5	5	4	4	3	3	2	2	1
15°06'	17°10'	7	6	6	5	5	4	4	3	3	2	2
17°10'	19°02'	7	7	6	6	5	5	4	4	3	3	2
19°02'	20°45'	8	7	7	6	6	5	5	4	4	3	3
20°45'	22°22'	8	8	7	7	6	6	5	5	4	4	3
22°22'	23°54'	9	8	8	7	7	6	6	5	5	4	4
23°54'	25°21'	9	9	8	8	7	7	6	6	5	5	4
25°21'	26°45'	10	9	9	8	8	7	7	6	6	5	5
26°45'	28°06'	10	10	9	9	8	8	7	7	6	6	5
28°06'	29°25'	11	10	10	9	9	8	8	7	7	6	6
29°25'	30°41'	11	11	10	10	9	9	8	8	7	7	6
30°41'	31°56'	12	11	11	10	10	9	9	8	8	7	7
31°56'	33°09'	12	12	11	11	10	10	9	9	8	8	7
33°09'	34°21'	13	12	12	11	11	10	10	9	9	8	8
34°21'	35°31'	13	13	12	12	11	11	10	10	9	9	8
35°31'	36°41'	14	13	13	12	12	11	11	10	10	9	9
36°41'	37°50'	14	14	13	13	12	12	11	11	10	10	9
37°50'	38°58'	15	14	14	13	13	12	12	11	11	10	10
38°58'	40°05'	15	15	14	14	13	13	12	12	11	11	10
40°05'	41°12'	16	15	15	14	14	13	13	12	12	11	11
41°12'	42°19'	16	16	15	15	14	14	13	13	12	12	11
42°19'	43°26'	17	16	16	15	15	14	14	13	13	12	12
43°26'	44°32'	17	17	16	16	15	15	14	14	13	13	12
44°32'	45°38'	18	17	17	16	16	15	15	14	14	13	13
45°38'	46°45'	18	18	17	17	16	16	15	15	14	14	13
46°45'	47°51'	19	18	18	17	17	16	16	15	15	14	14
47°51'	48°58'	19	19	18	18	17	17	16	16	15	15	14
48°58'	50°06'	20	19	19	18	18	17	17	16	16	15	15
50°06'	51°13'	20	20	19	19	18	18	17	17	16	16	15
51°13'	52°22'	21	20	20	19	19	18	18	17	17	16	16
52°22'	53°31'	21	21	20	20	19	19	18	18	17	17	16
53°31'	54°41'	22	21	21	20	20	19	19	18	18	17	17
54°41'	55°52'	22	22	21	21	20	20	19	19	18	18	17
55°52'	57°04'	23	22	22	21	21	20	20	19	19	18	18
57°04'	58°17'	23	23	22	22	21	21	20	20	19	19	18
58°17'	59°32'	24	23	23	22	22	21	21	20	20	19	19
59°32'	60°49'	24	24	23	23	22	22	21	21	20	20	19
60°49'	62°09'	25	24	24	23	23	22	22	21	21	20	20
62°09'	63°30'	25	25	24	24	23	23	22	22	21	21	20
63°30'	64°55'	26	25	25	24	24	23	23	22	22	21	21
64°55'	66°24'	26	26	25	25	24	24	23	23	22	22	21
66°24'	67°57'	27	26	26	25	25	24	24	23	23	22	22
67°57'	69°35'	27	27	26	26	25	25	24	24	23	23	22
69°35'	71°21'	28	27	27	26	26	25	25	24	24	23	23
71°21'	73°16'	28	28	27	27	26	26	25	25	24	24	23
73°16'	75°24'	29	28	28	27	27	26	26	25	25	24	24
75°24'	77°52'	29	29	28	28	27	27	26	26	25	25	24
77°52'	80°56'	30	29	29	28	28	27	27	26	26	25	25
80°56'	85°45'	30	30	29	29	28	28	27	27	26	26	25
85°45'	90°00'	31	30	30	29	29	28	28	27	27	26	26

7. CONFORMITÉ

La conformité aux normes suivantes est indiquée par la marque correspondante sur le produit.

Marque	Norme
	Ce produit est conforme aux normes harmonisées applicables des directives UE 2011/65/UE (RoHS), 2014/30/UE (EMC), 2014/35/UE (LVD) et 2014/31/UE (NAWI). La déclaration de conformité UE est disponible en ligne sur www.ohaus.com/ce .
	Ce produit est conforme à la Directive UE 2012/19/UE (DEEE) et 2006/66/CE (Batteries). Veuillez éliminer ce produit conformément aux réglementations locales, au point de collecte indiqué pour les équipements électriques et électroniques. Pour connaître les instructions de mise au rebut en Europe, consultez le site www.ohaus.com/weee .
	EN 61326-1
	UL Std. N° 61010-1 CAN/CSA-C22.2 N° 61010-1

Déclaration de conformité d'ISED Canada :

Cet appareil numérique de classe A est conforme à la norme canadienne ICES-003.

Enregistrement ISO 9001

Le système de gestion régissant la production de ce produit est certifié ISO 9001.

8. ANNEXES

8.1 Annexe A

Sortie continue standard MT

Un caractère de somme de contrôle peut être activé ou désactivé avec une sortie continue. Les données se composent de 17 ou 18 octets comme indiqué dans la sortie continue standard.

Tableau 9- 1.

Les données de poids non significatives et les chiffres des données de tare sont transmis sous forme d'espaces. Le mode de sortie continue assure la compatibilité avec les produits OHAUS qui nécessitent des données de poids en temps réel. la sortie continue standard.

Tableau 9- 1 montre le format pour la sortie continue standard.

Tableau 9- 1: Format de sortie continue standard

	État ²				Poids indiqué ³					Poids à vide ⁴								
Caractère	1	2	3	4	5	6	7	8	9	10	11	12	13	14	15	16	17	18
Données	STX ¹	SB-A	SB-B	SB-C	MSD	-	-	-	-	LSD	MSD	-	-	-	-	LSD	CR ⁵	CHK ⁶

Remarques sur le format de sortie continue :

1. Caractère ASCII de début de texte (02 hex), toujours transmis.
2. Octets d'état A, B et C. Consultez le Tableau 5-2, Tableau 5-3 et Tableau 5-4 pour plus de détails sur la structure.
3. Poids affiché. Soit le poids brut ou net. Six chiffres, pas de virgule ni de signe. Les zéros de tête non significatifs sont remplacés par des espaces.
4. Poids à vide. Six chiffres de données de poids à vide. Pas de virgule dans le champ.
5. Caractère retour chariot ASCII <CR> (hex 0D).
6. Somme de contrôle, transmise uniquement si activée dans la configuration. La somme de contrôle est utilisée pour détecter les erreurs dans la transmission de données. La somme de contrôle est définie comme le complément à 2 des sept bits de poids faible de la somme binaire de tous les caractères qui précèdent le caractère de somme de contrôle, notamment les caractères <STX> et <CR>.

Le tableau 9-2, tableau 9-3 et tableau 9-4 détaillent les octets d'état pour la sortie continue standard.

Tableau 9- 2: Définitions des bits de l'octet d'état A

Bits 2, 1 et 0			
2	1	0	Position de la virgule
0	0	0	XXXXXX00
0	0	1	XXXXXX0
0	1	0	XXXXXX
0	1	1	XXXXXX.X
1	0	0	XXXX.XX
1	0	1	XXX.XXX
1	1	0	XX.XXXX
1	1	1	X.XXXXX
Bits 4 et 3			
4		3	Code de construction
0		1	X1
1		0	X2
1		1	X5
Bit 5			Toujours = 1
Bit 6			Toujours = 0

Tableau 9- 3: Définitions des bits de l'octet d'état B

Bits d'état	Fonction
Bit 0	Brut = 0, Net = 1
Bit 1	Signe, positif = 0, négatif = 1
Bit 2	Hors plage = 1 (surcapacité ou sous zéro)
Bit 3	Mouvement = 1, stable = 0
Bit 4	lb = 0, kg = 1 (voir aussi Octet d'état C, bits 0, 1, 2)
Bit 5	Toujours = 1

Bits d'état	Fonction
Bit 6	Zéro non mesuré après la mise sous tension = 1

Tableau 9- 4: Définitions des bits de l'octet d'état C

Bits 2, 1 et 0			Description du poids
2	1	0	
0	0	0	lb ou kg, sélectionné par l'octet d'état B, bit 4
0	0	1	grammes (g)
0	1	0	tonnes métriques (t)
0	1	1	onces (oz)
1	0	0	non utilisé
1	0	1	non utilisé
1	1	1	tonnes (tonne)
1	1	1	pas d'unités
Bit 3			Demande d'impression = 1
Bit 4			Développer les données x 10 = 1, Normal = 0
Bit 5			Toujours = 1
Bit 6			Toujours = 0

8.2 Annexe B :

Commandes MT-SICS

	Commande	Fonction
NIVEAU 0	@	Réinitialiser la balance
	I0	Demande de toutes les commandes SICS disponibles
	I1	Demande du niveau SICS et des versions SICS
	I2	Demande des données de balance
	I3	Demande de version du logiciel de la balance
	I4	Demande de numéro de série
	S	Envoyer une valeur de poids stable
	SI	Envoyer la valeur de poids immédiatement
	SIR	Envoyer la valeur de poids à plusieurs reprises
	Z	Mettre la balance à zéro
	ZI	Mettre à zéro immédiatement
NIVEAU 1	D	Écrire un texte dans l'affichage
	DW	Affichage du poids
	SR	Envoyer et répéter la valeur de poids stable
	T	Tare
	TA	Valeur de tare
	TAC	Effacer la tare
	TI	Tarer immédiatement

	Commande	Fonction
NIVEAU 2	C2	Calibrer avec le poids d'étalonnage externe
	C3	Calibrer avec le poids d'étalonnage interne
	I10	Demander ou définir l'ID de la balance
	I11	Demande du type de balance
	P100	Imprimer sur l'imprimante
	P101	Imprimer une valeur de poids stable
	P102	Imprimer immédiatement la valeur de poids actuelle
	SIRU	Envoyez immédiatement la valeur de poids dans l'unité actuelle et répétez
	SIU	Envoyer immédiatement la valeur de poids dans l'unité actuelle
	SNR	Envoyez une valeur de poids stable et répétez après chaque changement de poids
	SNRU	Envoyez une valeur de poids stable dans l'unité actuelle et répétez après chaque changement de poids
	SRU	Envoyez la valeur de poids dans l'unité actuelle et répétez
	ST	Après avoir appuyé sur la touche de transfert, envoyez la valeur de poids stable
	SU	Envoyez une valeur de poids stable dans l'unité actuelle
NIVEAU 3	M01	Mode de pesée
	M02	Réglage de la stabilité
	M03	Fonction de mise à zéro automatique
	M19	Envoyez le poids d'étalonnage
	M21	Demander / définir l'unité de poids
	PRN	Imprimez sur chaque interface d'imprimante
	RST	Redémarrer
	SFIR	Envoyez la valeur de poids immédiatement et répétez rapidement
	SIH	Envoyez immédiatement la valeur de poids en haute résolution
	SWU	Changez d'unité de poids
	SX	Envoyez un enregistrement de données stable
	SXI	Envoyez l'enregistrement de données immédiatement
	SXIR	Envoyez immédiatement l'enregistrement de données et répétez
	U	Changez d'unité de poids

Inhaltsverzeichnis

1.	EINLEITUNG	3
1.1.	SICHERHEITSHINWEISE	3
1.2.	GEBRAUCHSBESTIMMUNG	3
1.3.	ÜBERBLICK ÜBER TEILE UND KONTROLLANZEIGEN	4
1.4.	HAUPTPLATTE	5
1.5.	KONTROLLFUNKTIONEN	6
2.	AUFBAU	9
2.1	ENTPACKEN	9
2.2	EXTERNE VERBINDUNGEN	9
2.2.1	Waagebasis mit EasyConnect™ Anschluss	9
2.2.2	Leistungsaufnahme zum i-DT61PW	9
2.2.3	AC-Leistung für i-DT61XWE	9
2.3	INTERNE VERBINDUNGEN	9
2.3.1	Öffnen des Gehäuses	9
2.3.2	Waagebasis ohne EasyConnect™ Anschluss	10
2.3.3	Verbindungskabel zum i-DT61PW	14
2.3.4	RS232 Verbindungskabel zum i-DT61XWE	15
2.4	MONTAGEHALTERUNG	15
3.	BEDIENUNG	16
3.1	EIN-/AUSSCHALTEN DER WAAGE	16
3.2	WAAGEMODUS	16
3.2.1	Modus-Eingabe und Wiegbeginn	16
3.2.2	Wiegen und Statistik	16
3.2.3	Prüfen	17
3.2.4	Anwendungseinstellungen	18
3.3	ZÄHLMODUS	19
3.3.1	Modus-Eingabe	19
3.3.2	Einstellen des Durchschnittsgewichts	19
3.3.3	Wiegen	19
3.3.4	Anwendungseinstellungen	19
3.4	PROZENTMODUS	20
3.4.1	Modus-Eingabe	20
3.4.2	Referenzgewicht festlegen	20
3.4.3	Prozentwiegen	20
3.4.4	Anwendungseinstellungen	20
3.5	DYNAMISCHER MODUS	21
3.5.1	Modus-Eingabe	21
3.5.2	Dynamisches Wiegen	21
3.5.3	Anwendungseinstellungen	21
3.6	FÜLLMODUS	22
3.6.1	Modus-Eingabe	22
3.6.2	Füllen	22
3.6.3	Fortsetzen und Anhalten des Füllens	22
3.6.4	Anzeige des Punktmatrixbildschirms	22
3.6.5	Anwendungseinstellungen	23
4.	MENÜ-EINSTELLUNGEN	24
4.1	MENÜ-NAVIGATION	24
4.1.1	Benutzermenü	24
4.1.2	Tasten-Navigation	25
4.2	KALIBRIERUNGSMENÜ	26
4.2.1	Erste Kalibrierung	26
4.2.2	Null-Kalibrierung [ZEF]	26
4.2.3	Messbereich-Kalibrierung [SPR]	26
4.2.4	Linearitätskalibrierung [L #]	27
4.2.5	GEO-Einstellung [GEG]	27
4.2.6	Kalibrierungsprüfung [LSES]	28

4.2.7	Cal beenden [End]	28
4.3	MENÜ-EINRICHTUNG	29
4.4	LESE-MENÜ	33
4.5	MENÜ-EINHEIT	34
4.6	ARBEITS- UND MANUFAKTURBESTIMMUNGSMENÜ	35
4.7	VERBINDUNG	36
4.7.1	RS232-Menü	36
4.7.2	Druck-Menü	37
4.7.3	RS485-Konfiguration	40
4.7.4	Ethernet-Konfiguration	40
4.7.5	Analog-Konfiguration	40
4.8	SPEICHER	40
4.8.1	Speicher-Menü (für i-DT61PW Modell)	40
4.8.2	USB-Speicher (für i-DT61XWE Modell)	40
4.8.3	Alibi-Speicher (für i-DT61XWE Modell)	41
4.9	DISKRETER E/A (FÜR I-DT61XWE MODELL)	46
4.9.1	E/A-Typ	46
4.9.2	Eingang	47
4.9.3	Ausgang	47
4.10	KONFIGURATION DER SPERRTASTE	47
4.11	INFORMATION (FÜR I-DT61XWE MODELL)	48
4.12	BENUTZER (FÜR I-DT61XWE MODELL)	50
4.13	USB (FÜR I-DT61XWE MODELL)	52
4.13.1	USB-Flash-Laufwerk	52
4.13.2	RFID	52
4.13.3	Strichcode	52
4.13.4	Tastatur	53
4.13.5	Wi-Fi/Bluetooth-Stecker (Optional)	53
5.	RECHTLICHES FÜR DEN HANDEL	55
5.1	EINSTELLUNGEN	55
5.2	PRÜFUNG	55
5.3	DICHTUNG	56
6.	WARTUNG	57
6.1	REINIGUNG	57
6.1.1	REINIGUNG für i-DT61PW Modell	57
6.1.2	REINIGUNG für i-DT61XWE Modell	57
6.2	FEHLERBEHEBUNG	58
6.3	SERVICE-INFORMATION	59
7.	TECHNISCHE DATEN	59
7.1	BESONDERHEITEN	59
7.2	TABELLE DER GEO-WERTE	62
8.	ÜBEREINSTIMMUNG	63
9.	ANHÄNGE	64
9.1	ANHANG A	64
9.2	ANHANG B	66

1. EINLEITUNG

Dieses Handbuch enthält Installations-, Betriebs- und Wartungs-Anweisungen für die Waagen i-DT61PW und i-DT61XWE. Bitte lesen Sie dieses Benutzerhandbuch vor der Installation und dem Betrieb vollständig durch.

1.1. Sicherheitshinweise

Definition der Signalwarnungen und Symbolen

Sicherheitshinweise sind mit Signalwörtern und Warnsymbolen gekennzeichnet. Diese zeigen Sicherheitsprobleme und Warnungen an. Die Nichtbeachtung der Sicherheitshinweise kann zu Personenschäden, Schäden am Gerät, Fehlfunktionen und ungewollten Ergebnissen führen.

WARNHINWEIS Für eine gefährliche Situation mit mittlerem Risiko, die zu schweren Verletzungen oder zum Tod führen kann, wenn sie nicht vermieden wird.

VORSICHT Für eine gefährliche Situation mit geringem Risiko, die zu Schäden am Gerät oder am Eigentum oder zum Verlust von Daten führt, oder für leichte oder mittlere Verletzungen, wenn diese nicht vermieden werden.

ACHTUNG Wichtige Informationen über das Produkt. Kann zu Schäden am Gerät führen, wenn sie nicht vermieden werden.

HINWEIS Für nützliche Informationen über das Produkt.

Warnhinweis-Symbole



Allgemeine
Gefahr



Explosionsgefahr



Stromschlaggefahr

Sicherheitsvorkehrungen



VORSICHT: Lesen Sie alle Sicherheitshinweise, bevor Sie dieses Gerät installieren, anschließen oder warten. Die Nichtbeachtung dieser Warnhinweise kann zu Personen- und/oder Sachschäden führen. Bewahren Sie alle Anweisungen zum späteren Nachschlagen auf.

- Vergewissern Sie sich vor dem Anschließen, dass der Eingangsspannungsbereich und der Steckertyp des Wechselstromadapters mit dem örtlichen Wechselstromnetz kompatibel sind.
- Stellen Sie das Gerät nicht so auf, dass der Stromanschluss schwer zugänglich ist.
- Schließen Sie das Netzkabel nur an eine kompatible stabile Steckdose an.
- Stellen Sie sicher, dass das Netzkabel kein potenzielles Hindernis oder Stolperisiko darstellt.
- Betreiben Sie das Gerät nur unter den in dieser Anleitung angegebenen Umgebungsbedingungen.
- Das Gerät ist nur für den Gebrauch im Innenbereich bestimmt.
- Betreiben Sie das Gerät nicht in gefährlichen oder instabilen Umgebungen.
- Stellen Sie das Gerät nicht verkehrt herum auf den Sockel.
- Verwenden Sie nur zugelassenes Zubehör und Geräte.
- Trennen Sie das Gerät von der Stromversorgung bei der Reinigung.
- Der Service sollte nur von autorisiertem Personal durchgeführt werden.



WARNHINWEIS: Arbeiten Sie niemals in einer explosionsgefährdeten Umgebung! Das Gehäuse des Gerätes ist nicht gasdicht. (Explosionsgefahr durch Funkenbildung, Korrosion durch das Eindringen von Gasen).



WARNHINWEIS: Innerhalb des Gehäuses besteht die Gefahr eines Stromschlags. Das Gehäuse sollte nur von autorisiertem und qualifiziertem Personal geöffnet werden. Entfernen Sie vor dem Öffnen alle Stromanschlüsse am Gerät.

1.2. ebrauchsbestimmung

Dieses Instrument ist für den leichten Gebrauch vorgesehen. Es darf nur für die Messung der in dieser Betriebsanleitung beschriebenen Anwendungen verwendet werden. Jede andere Art der Verwendung und des Betriebs, die über die technischen Grenzen der technischen Daten hinausgeht, gilt ohne schriftliche Genehmigung von OHAUS als nicht bestimmungsgemäß. Dieses Gerät entspricht den aktuellen Industriestandards und den anerkannten Sicherheitsvorschriften; es kann jedoch bei der Verwendung eine Gefahr darstellen. Wenn das Gerät nicht gemäß dieser Bedienungsanleitung verwendet wird, kann der durch das Gerät gebotene Schutz beeinträchtigt werden.

1.3. Überblick über Teile und Kontrollanzeigen

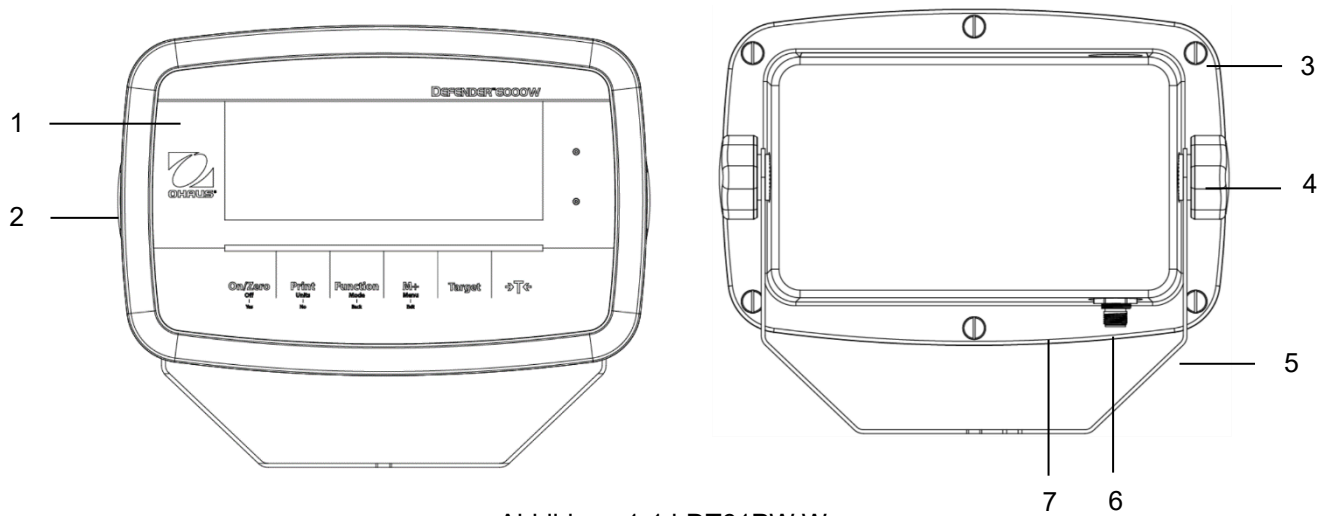


Abbildung 1-1 i-DT61PW Waage

Gegenstand	Beschreibung
1	Bedienfeld
2	Vorderes Gehäuse
3	Schrauben (6)
4	Einstellknöpfe (2)
5	Unteres Gehäuse
6	Ladebatterie-Verbindung
7	Hinteres Gehäuse

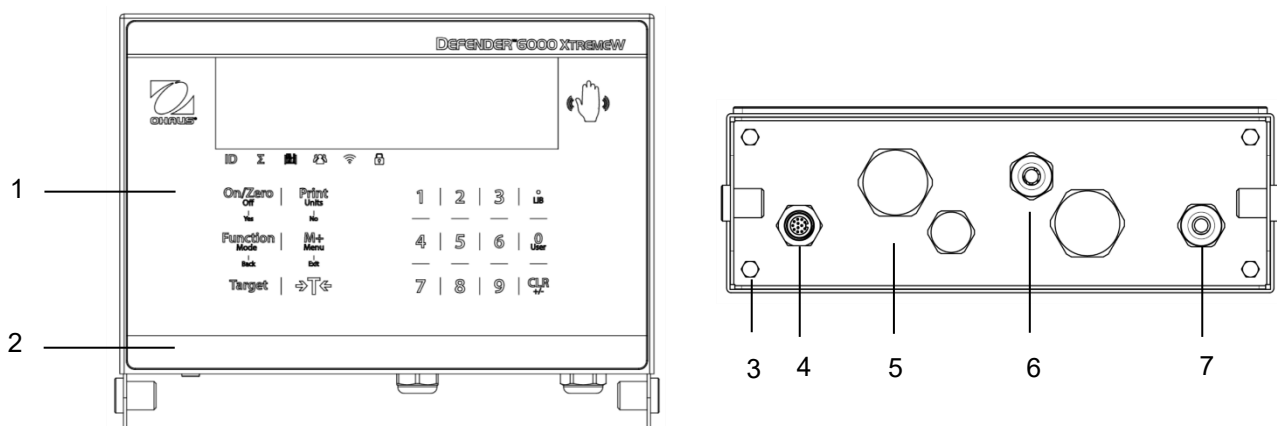
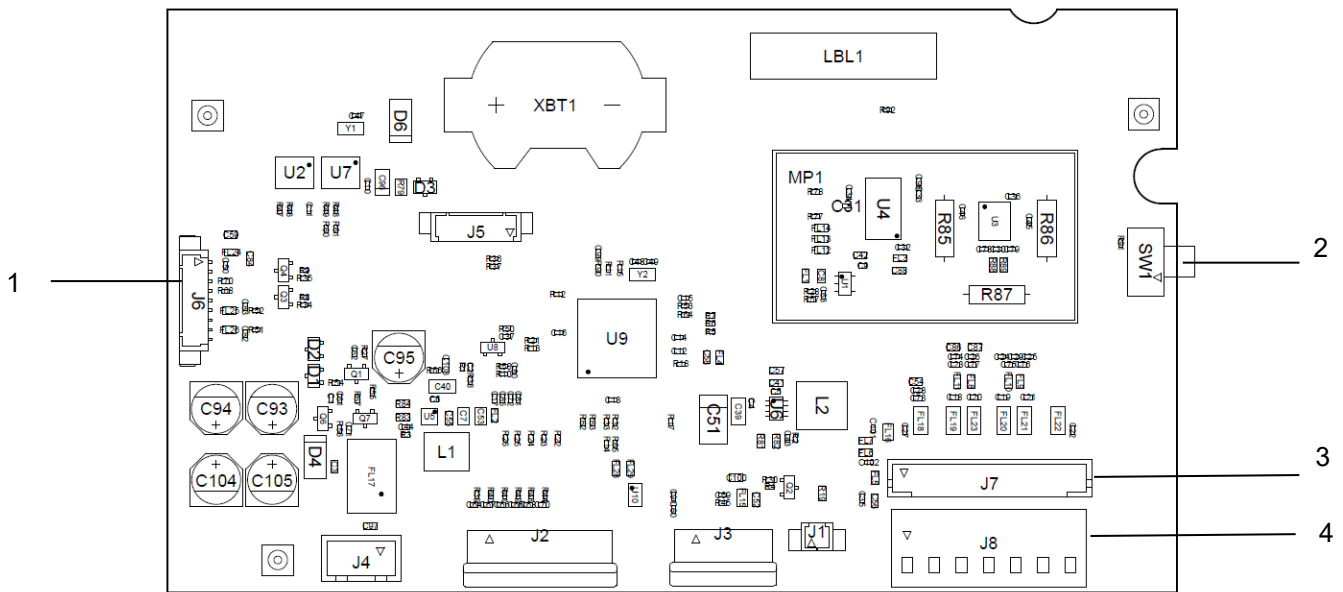


Abbildung 1-2 i-DT61XWE Waage

Gegenstand	Beschreibung
1	Bedienfeld
2	Vorderes Gehäuse
3	Schrauben (4)
4	Ladebatterie-Verbindung
5	Hinteres Gehäuse
6	Zugentlastung für Option
7	Netzkabel

1.4. Hauptplatte



.Abbildung 1-3 i-DT61PW Hauptplatte

Gegenstand	Beschreibung
1	Anschluss IR VERBINDUNG (J6)
2	Sicherheitsschalter (SW1)
3	Waagebatterie-Verbindeung (J7)
4	Waagebatterie-Klemmleiste (J8)

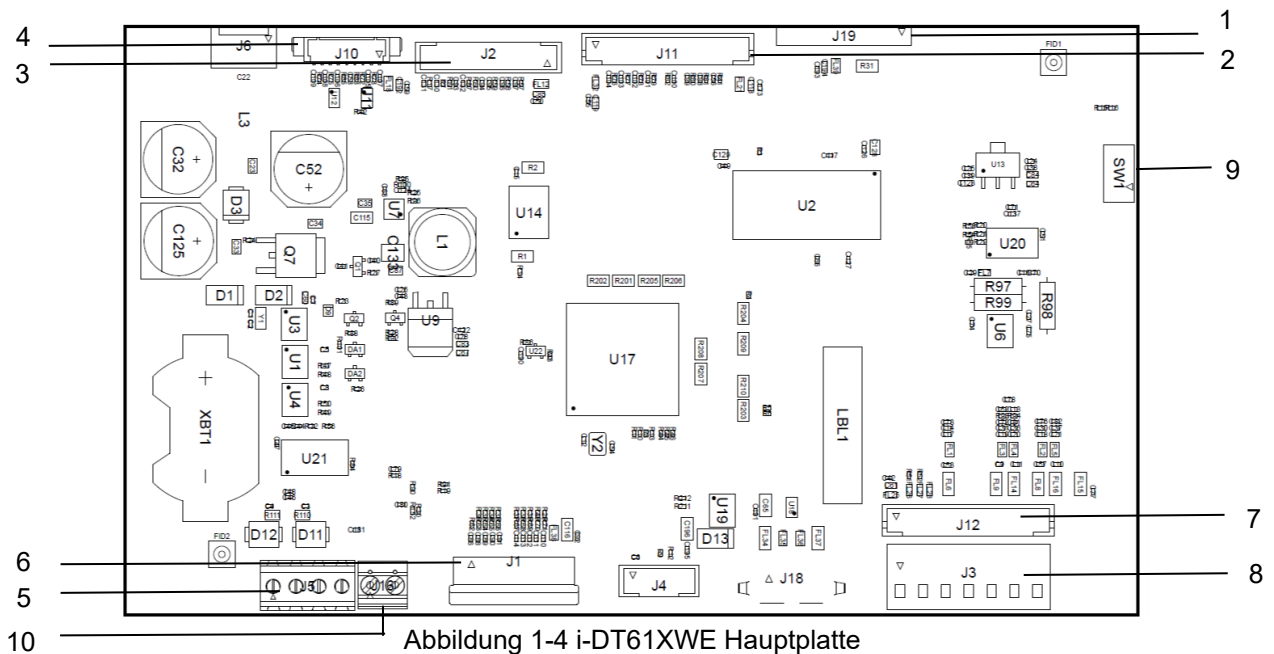


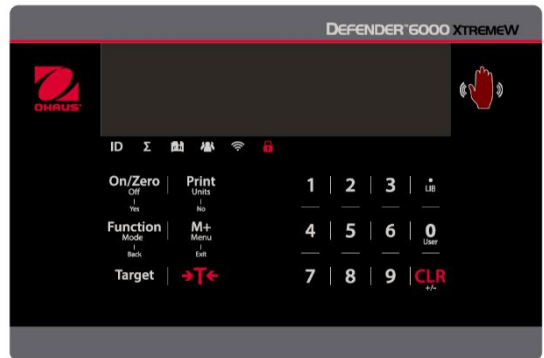
Abbildung 1-4 i-DT61XWE Hauptplatte

Gegenstand	Beschreibung	Gegenstand	Beschreibung
1	Alibi Speicher Board-Verbindung (J19)	6	Tastatur-Stecker (J1)
2	Diskreter E/A/Analog/RS232-RS485-USB Geräteanschluss (J11)	7	Waagebatterie -Verbindung (J12)
3	Display-Platinen-Verbindung (J2)	8	Waagebatterie -Klemmenblock (J3)
4	Ethernet-Anschluss (J10)	9	Sicherheitsschalter-Stecker (SW1)
5	RS232-Anschluss (J5)	10	Diskreter Eingang0 (J16)

1.5. Kontrollfunktionen



i-DT61PW Bedienungsfeld



i-DT61XWE Bedienungsfeld

Taste	On/Zero Off Yes	Print Units No	Function Mode Back	M+ Menu Exit	Target	→T←
Primäre Funktion (Kurzes drücken)	On/Zero Wenn Terminal ausgeschaltet ist, drücken Sie auf die Taste, zum Einschalten. Wenn Terminal eingeschaltet ist, drücken Sie auf die Taste zur Nullpunkt-Einstellung.	Print Sendet den aktuellen Wert an die ausgewählten COM-Ports, wenn AUTOPRINT deaktiviert ist.	Function Startet den Anwendung s-modus.	M+ Akkumuliert das Gewicht oder zeigt die akkumulierte Information ohne Last auf der Schale an.	Target Setzt unter/über Grenzwert für Check.	Tare Gibt einen Tarawert ein/löscht ihn; Wenn die Waagedaten angezeigt werden, drücken Sie auf, um sie zu löschen.
Sekundäre Funktion (Langes drücken)	Off Zum Ausschalten des Terminals.	Units Ändert die Waageinheit	Mode Ermöglicht das Ändern des Anwendung smodus.	Menu Öffnet das Benutzermenü .	Target Zeigt unter/über Grenzwert für Check.	Tare Zeigt das Taragewicht an.
Menü-Funktion (Kurzes drücken)	Yes Akzeptiert die aktuelle Einstellung auf dem Display.	No Geht zum nächsten Menü oder Menüpunkt weiter. Löscht die aktuelle Einstellung auf der Anzeige und geht zum nächsten verfügbaren Menü oder Menüpunkt über.	Back Geht zum vorherigen Menüpunkt zurück.	Exit Verlässt das Benutzermenü . Bricht die laufende Kalibrierung ab.		

Hinweis:

- Kurzes drücken: weniger als 1 Sekunde drücken.
- Langes drücken: drücken und länger als 2 Sekunden halten.

Numerische Tastatur (i-DT61XWE)

Primäre Funktion (Kurzes drücken)	1-9 Gibt numerische Werte ein.	.Gibt Dezimalpunkt (.) ein.	0 Eingabe numerischer Werte 0.	CLR Löscht den eingegebenen Wert/Durchschnittswert. Zum Löschen der Wiegedaten angezeigt werden.
Sekundäre Funktion (Langes drücken)		LIB Sucht Informationen mit numerischen Schlüsselwörtern.	User Sucht Benutzer mit numerischen Schlüsselwörtern.	+/- Schaltet zwischen positivem und negativem Wert um.

Hinweis: Für i-DT61XWE Modell, drücken Sie die und **CLR** -Taste zusammen für drei Sekunden, um alle Tasten zu sperren. Durch erneutes Drücken können alle Schaltflächen entsperrt werden. Wenn alle Tasten gesperrt sind, leuchtet das -Symbol auf.

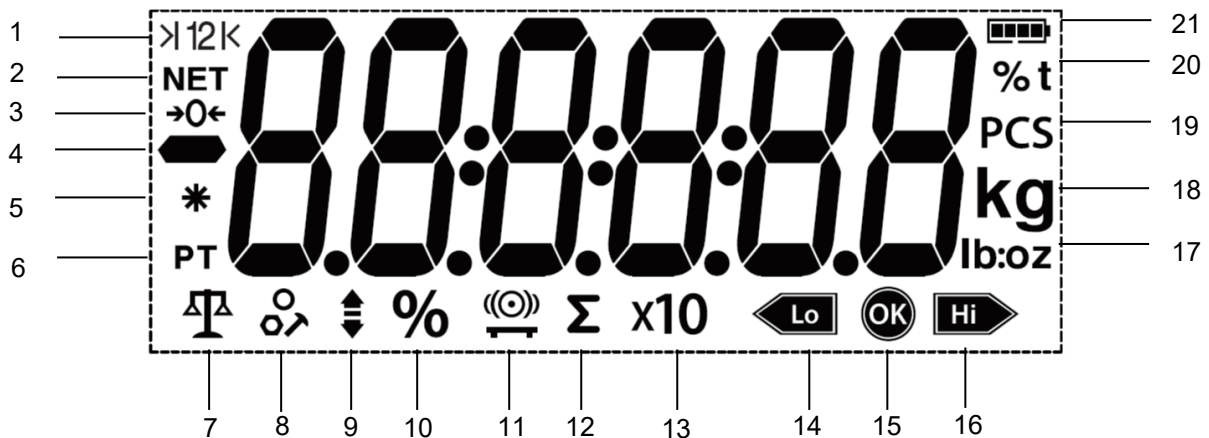


Abbildung 1-5 i-DT61PW-Anzeige

Gegenstand	Beschreibung	Gegenstand	Beschreibung
1	Bereich-Symbol (nicht verwendet)	12	Waages-Symbol
2	NET-Symbol	13	Erweiterung des Auflösungsymbols (nicht verwendet)
3	Zentrum des Null-Symbols	14	Kontrollwägung unteres Symbol
4	Negatives Symbol	15	Akzeptables Symbol
5	Symbol für stabiles Gewicht	16	Kontrollwägung höheres Symbol
6	Voreingestellte Tara, Tara-Symbole	17	Pfund, Unzen, Pfund:Unzen-Symbole
7	Symbol für Waagemodus	18	Kilogramm, Gramm-Symbole
8	Symbol für den Zählmodus	19	Symbol für Stücke
9	Symbol für Kontrollwiegmodus	20	Prozentzeichen, Tonnensymbol (nicht verwendet)
10	Symbol für den Prozentwiegmodus	21	Batterie-Symbol
11	Symbol für dynamischen Wiegmodus		



Abbildung 1-6 i-DT61XWE-Anzeige

Gegenstand	Beschreibung	Gegenstand	Beschreibung
1	Bereich-Symbol (nicht verwendet)	11	Wi-Fi-Symbol
2	NET-Symbol	12	Schloss-Symbol
3	Zentrum des Null-Symbols	13	Dynamisches Symbol (Tilde)
4	Negatives Symbol	14	Batteriesymbol (nicht verwendet)
5	Symbol für stabiles Gewicht	15	Pfund, Unzen, Pfund:Unzen-Symbole
6	Voreingestellte Tara, Tara-Symbole	16	Prozentzeichen
7	Symbol für Wigeemodus	17	Kilogramm, Gramm-Symbole
8	Symbol für den Zählmodus	18	Stück-Symbol, Tonne-Symbol (nicht verwendet)
9	Symbol für Kontrollwiegemodus	19	Waagesymbol (nicht verwendet)
10	Symbol für den Prozentwiegemodus		

2. AUFBAU

2.1 Entpacken

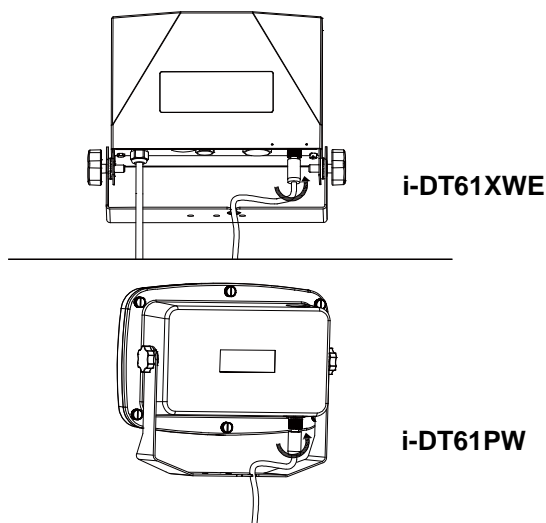
Packen Sie die folgenden Gegenstände aus:

- i-DT61PW oder i-DT61XWE-Waage
- 6 Batterien der Größe D (nur i-DT61PW)
- Montagewinkel
- Knöpfe (2)
- Kurzanleitung zur Installation
- Bedienungsanleitung

2.2 Externe Verbindungen





2.2.1 Waagebasis mit *EasyConnect*TM Anschluss

Um den OHAUS-Waagensockel mit dem *EasyConnect*TM Anschluss an das Terminal zu verbinden, stecken Sie den Stecker des Sockels auf den externen Wägezellenanschluss unten am Terminal. Drehen Sie dann den Verriegelungsring des Sockelanschlusses im Uhrzeigersinn. Überprüfen Sie die folgende Abbildung für Details.



2.2.2 Leistungsaufnahme zum i-DT61PW

Verwenden Sie 6 Batterien der Größe D. Während des Batteriebetriebs zeigt das Batteriesymbol den Batteriestatus.

	Batterie 5%~25% verbleibend
	Batterie 25%~50% verbleibend
	Batterie 50%~75% verbleibend
	Batterie 75%~100% verbleibend

2.2.3 AC-Leistung für i-DT61XWE

Schließen Sie den Netzstecker an eine Steckdose an.

2.3 Interne Verbindungen

Bei einigen Verbindungen muss das Gehäuse geöffnet werden.

2.3.1 Öffnen des Gehäuses



VORSICHT: GEFAHR EINES STROMSCHLAGS. VOR DER WARTUNG ODER DEM HERSTELLEN INTERNER VERBINDUNGEN ALLE STROMVERBINDUNGEN ZUM ANZEIGEGERÄT ENTFERNEN. DAS GEHÄUSE DARF NUR VON AUTORISIERTEM UND QUALIFIZIERTEM PERSONAL, WIE Z.B. EINEM ELEKTROTECHNIKER, GEÖFFNET WERDEN.

i-DT61PW

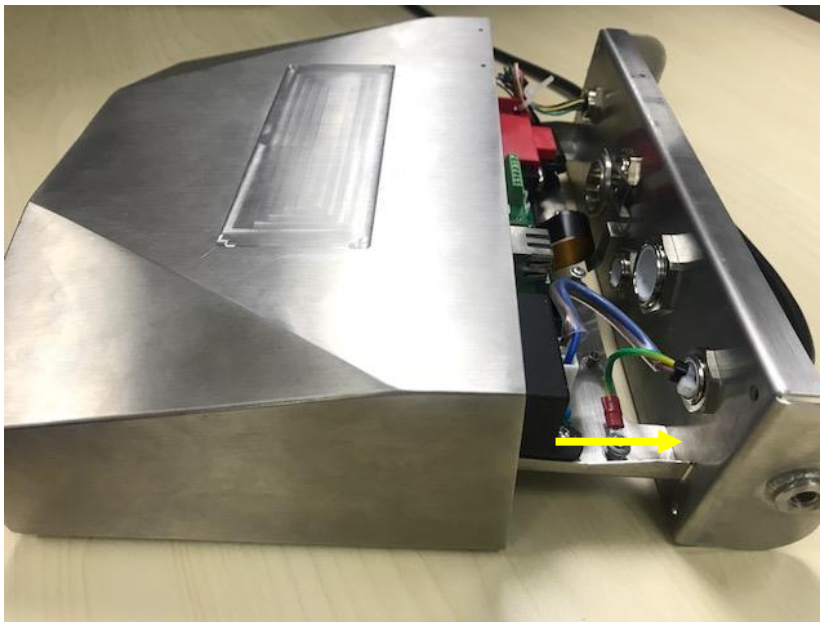
1. Entfernen Sie die sechs Kreuzschlitzschrauben aus dem hinteren Gehäuse.
2. Entfernen Sie das vordere Gehäuse. Achten Sie darauf, die internen Verbindungen nicht zu stören.
3. Wenn alle Verbindungen hergestellt sind, bringen Sie das vordere Gehäuse wieder an.

i-DT61XWE

1. Entfernen Sie die vier Sechskantschrauben aus dem unteren Gehäuse.



2. Öffnen Sie das Gehäuse, indem Sie die untere Abdeckung vorsichtig nach hinten ziehen.



3. Wenn alle Verbindungen hergestellt sind, bringen Sie die untere Abdeckung wieder an.

Hinweis: Die Schrauben sollten mit einem Drehmoment von 2,5 N-m (20-25 in-lb) angezogen werden, um eine wasserdichte Abdichtung zu gewährleisten.

2.3.2 Waagebasis ohne EasyConnect™ Anschluss

Für den Anschluss von Sockeln (die nicht über den EasyConnect™ - Anschluss verfügen) an die i-DT61PW oder i-DT61XWE ist ein Waagebatterien-Kabelschraubensatz (P/N 30379716) als Zubehör erhältlich.

Entfernen des vorinstallierten Waagebatterienanschlusses und des Kabels

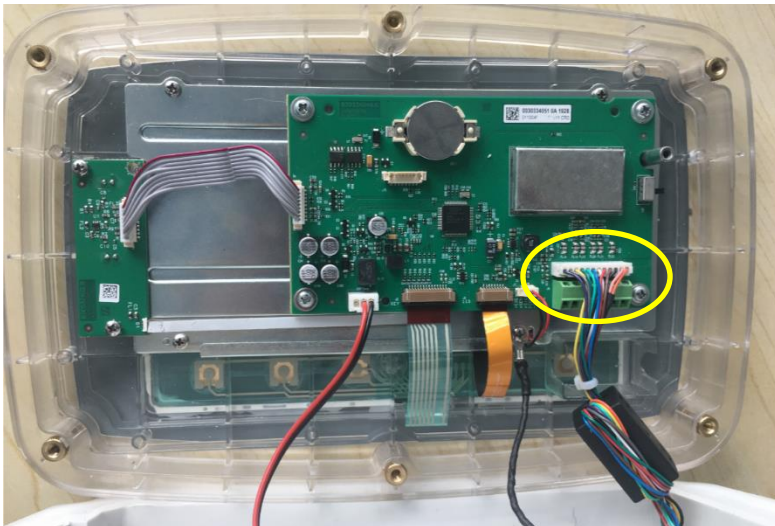
Bevor Sie die Verbindungen herstellen, entfernen Sie den vorinstallierten Waagebatterienanschluss und die Kabel, indem Sie die folgenden Schritte ausführen

i-DT61PW

1. Entfernen Sie die 6 Kreuzschlitzschrauben und öffnen Sie das hintere Gehäuse, indem Sie das vordere Gehäuse vorsichtig nach vorne ziehen.
2. Ziehen Sie die weißen Waagebatterienanschlüsse vom Hauptgehäuse ab (zwei Kreise).



3. Öffnen Sie das vordere Gehäuse durch Lösen von 12 Kreuzschlitz-Schrauben.
4. Ziehen Sie die weißen Waagebatterienanschlüsse von der Hauptplatine des PCBA ab.

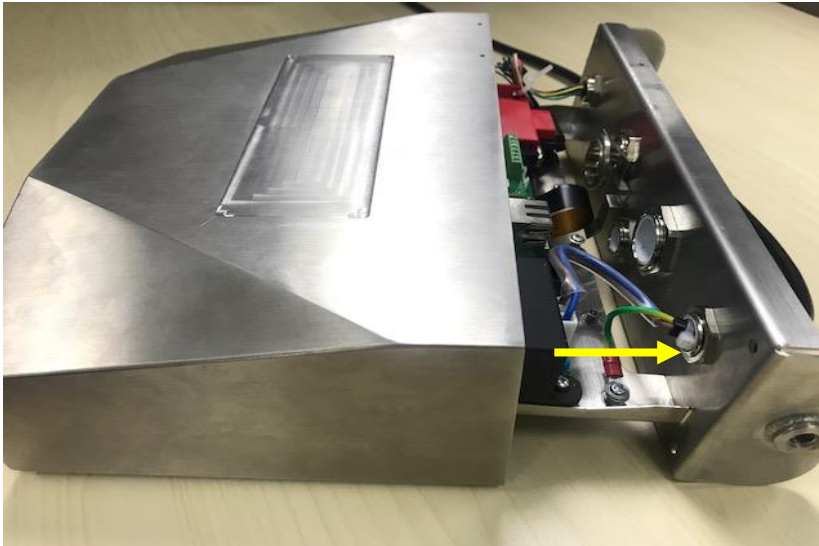


i-DT61XWE

1. Setzen Sie das Terminal auf und lösen Sie die in der folgenden Abbildung markierten Schrauben.



2. Ziehen Sie den unteren Teil des Terminals heraus.



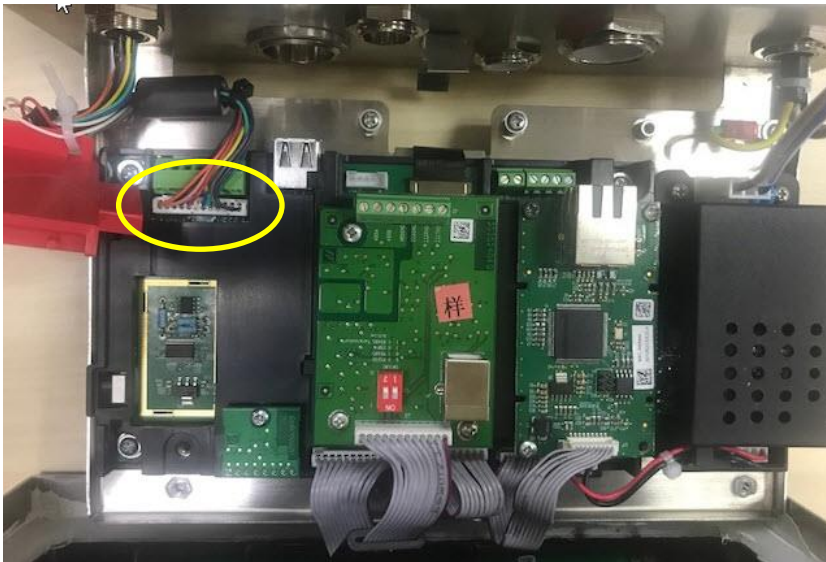
3. Verwenden Sie einen Schraubenzieher, um den Dichtungsdeckel abzuschrauben.



4. Ziehen Sie den hervorstehenden Teil des Dichtungsdeckels ein wenig nach vorne, um ihn freizugeben.



5. Entfernen Sie die Dichtungsdeckel und ziehen Sie dann die weißen Waagebatterienanschlüsse ab.



Installation der Waagebatterienkabel und Stecker

Um bestimmte Grenzwerte für die elektrische Störaussendung einzuhalten und den i-DT61PW und i-DT61XWE vor äußeren Einflüssen zu schützen, ist es erforderlich, einen Ferritkern auf dem mit dem Terminal verbundenen Waagebatterienkabel zu installieren. Der Ferritkern ist im Lieferumfang des Terminals enthalten.

Zum Installieren des Ferrits führen Sie das Kabel einfach durch die Mitte des Kerns und nehmen dann eine Windung um die Außenseite des Kerns und führen das Kabel wieder durch die Mitte. Entweder das gesamte Kabel oder die einzelnen Drähte können durch den Ferrit gewickelt werden. Dies sollte so nahe wie möglich am Gehäuse erfolgen. Siehe Abbildung 2-1.



Abbildung 2-1

Drahtanschlüsse der Hauptplatte

Sobald das Gehäuse des i-DT61PW und i-DT61XWE geöffnet wird, können Verbindungen zu den Klemmenleisten auf der Hauptplatine hergestellt werden, wie in Abbildung 2-2.

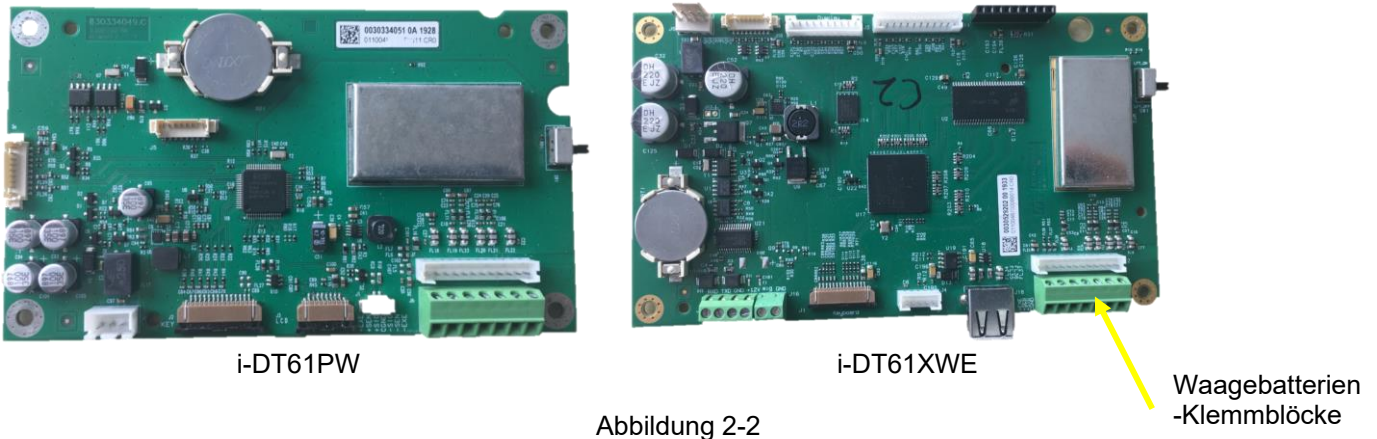
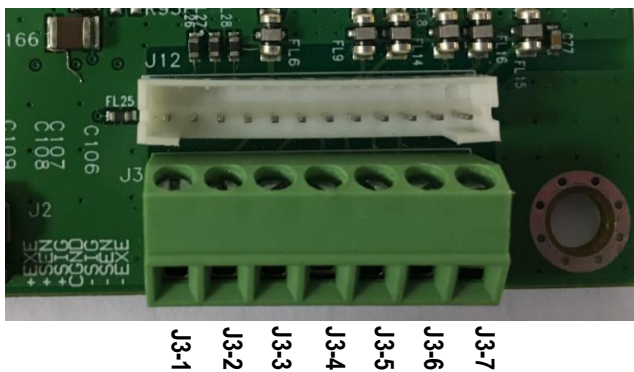


Abbildung 2-2

Überbrückungs-Verbindungen

Die Anzeiger i-DT61PW und i-DT61XWE sind so ausgelegt, dass sie sowohl 2mV/V- als auch 3mV/V- Waagebatterien aus derselben Schaltung unterstützen. Ein Jumper zur Auswahl der Waagebatterienausgangsnennwerte ist nicht erforderlich.

Abbildung 2-3 zeigt die Klemmdefinitionen für die analogen Waagebatterieklemmen. Hinweis, dass bei der Verwendung von Vierleiter-Waagebatterien zwischen den Klemmen +Stromerzeuger und +Stromabnehmer bzw. zwischen den Klemmen +Stromerzeuger und +Stromabnehmer Brücken gesetzt werden.



Stecker	Verbindung
J3-1	+EXC
J3-2	+SEN
J3-3	+SIN
J3-4	GND
J3-5	-SIN
J3-6	-SEN
J3-7	-EXC

Abbildung 2-3 Überbrückungsverbindungen

Nachdem die Verdrahtung abgeschlossen ist, ersetzen Sie die Schrauben des Anzeigegehäuses. Stellen Sie sicher, dass die wasserdichte Kabelverschraubung richtig angezogen ist.

2.3.3 Verbindungskabel zum i-DT61PW

Bringen Sie das IR-Verbindungskabel (P/N: 30572910) an der Anzeigenfrontplatte an, vergewissern Sie sich, dass beide Löcher im Verbindungskabelmodul mit den beiden Bolzen an der Frontplatte übereinstimmen.

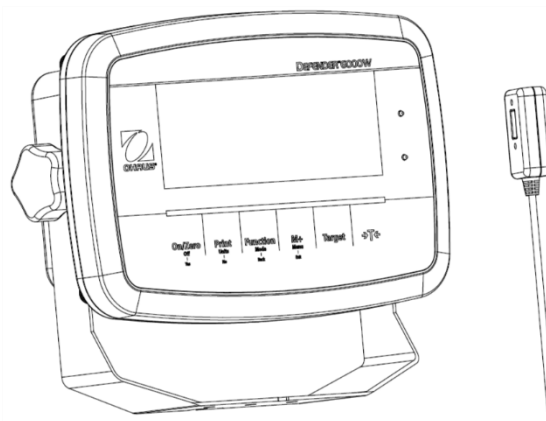


Abbildung 2-4

2.3.4 RS232 Verbindungskabel zum i-DT61XWE

Führen Sie das optionale RS232-Kabel durch die Spannungsentlastung und schließen Sie es an den RS232-Anschluss auf der Hauptplatte an. Ziehen Sie die Spannungsentlastung fest, um eine wasserdichte Abdichtung zu gewährleisten. Die Position der Spannungsentlastung entnehmen Sie bitte Abbildung 2-7. Anschluss für die serielle Schnittstelle RXD TXD und GND.

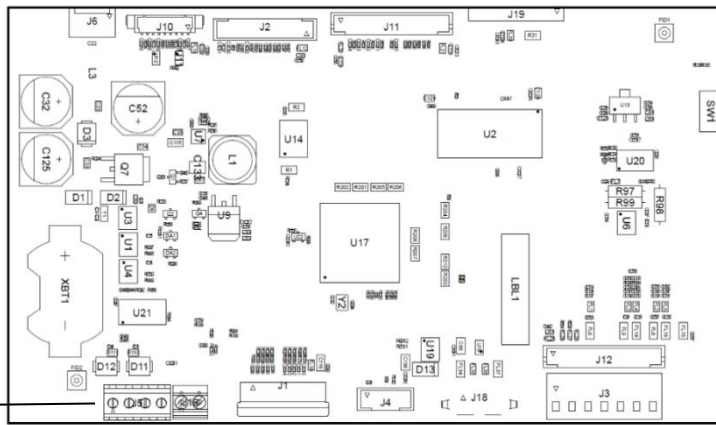
Hinweis:

- Beim Öffnen des Terminalgehäuses, entnehmen Sie dem Abschnitt Öffnen des Gehäuses.
- Einzelheiten zur Funktion Diskreter Eingang 0 finden Sie im Abschnitt Diskreter E/A (für i-DT61XWE).



Abbildung 2-5
Option zur Spannungsentlastung

Diskreter Eingang 0



RS232 -
Verbindung

Abbildung 2-6 RS232 Verbindung auf der Hauptplatte

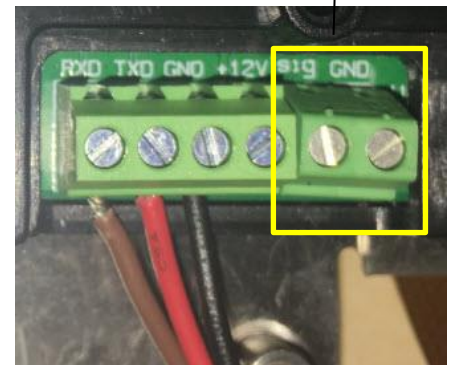


Abbildung 2-7 RS232-Verbindung

2.4 Montagehalterung

Befestigen Sie die Halterung an einer Wand oder einem Tisch (die Halterung wird nicht mitgeliefert), die für die Montageplatte geeignet sind. Die Halterung kann mit Schrauben mit einem Durchmesser von bis zu 6 mm (1/4") befestigt werden. Lokalisieren Sie die Montagelöcher wie in Abbildung 2-8 und 2-9 gezeigt.

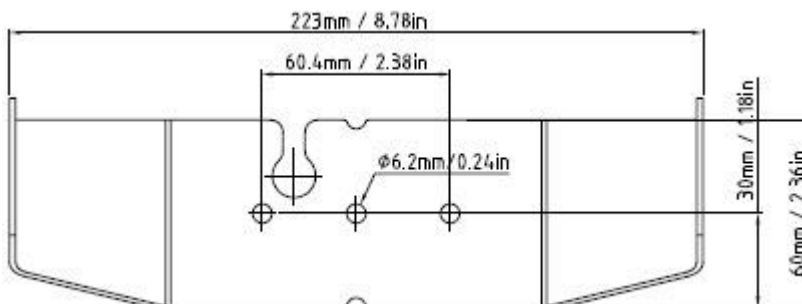


Abbildung 2-8 i-DT61PW
Masse der Montagehalterung

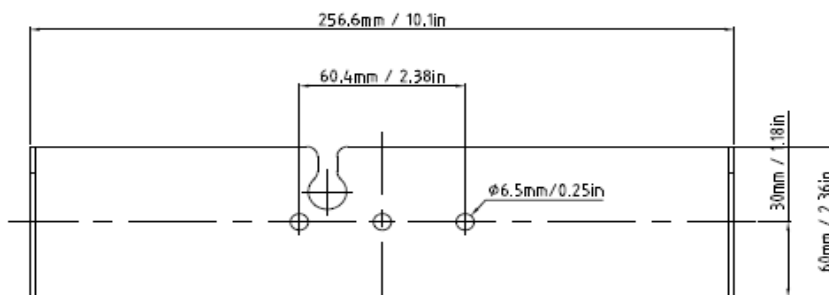


Abbildung 2-9 i-DT61XWE
Masse der Montagehalterung

3. BEDIENUNG

3.1 Ein-/Ausschalten der Waage


Um die Waage einzuschalten, drücken und halten Sie die Taste **On/Zero Off** für 1 Sekunde. Die Waage führt einen Anzeigentest durch, zeigt kurzzeitig die Software-Version an und geht dann in den aktiven Waagemodus über. Um die Waage auszuschalten, halten Sie die Taste **On/Zero Off** gedrückt, bis **OFF** angezeigt wird.

3.2 Waagemodus

Mit dieser Anwendung können Sie das Gewicht von Gegenständen in der gewählten Maßeinheit bestimmen. Dieser Modus ist die werkseitige Voreinstellung.

3.2.1 Modus-Eingabe und Wiegbeginn

So rufen Sie den Wiegmodus aus einem beliebigen Anwendungsmodus auf:

1. Drücken und halten Sie die Taste **Mode** bis **WEIG** angezeigt wird.
2. Stellen Sie einen leeren Behälter auf die Schale, drücken Sie die Taste  zum Wiegen.
3. Testgewicht in die Schale oder den Behälter geben. Die Anzeige zeigt das Gewicht an.

Hinweis: Bitte lesen Sie den Abschnitt "**Kontrolle**" für die Verwendung von Kontrolle im Wiegmodus.

3.2.2 Wiegen und Statistik

Die Wiegfunktion ermöglicht die manuelle oder automatische Summierung der angezeigten Werte. Statistische Daten (akkumuliertes Gesamtgewicht, Min/Max-Gewichte, Stücke, Prozent und Gesamtzahl der Proben) werden in **SPEICHER** zum Prüfen und zum Ausdruck gespeichert. Die Waage arbeitet mit jedem Anwendungsmodus außer **Füllen**. Allerdings werden die Wiegdaten gelöscht, wenn in einen anderen Modus gewechselt wird.

3.2.2.1 EINSTELLUNGEN

Es gibt vier Wiegmöglichkeiten:

- Aus (**OFF**): Wiegfunktion deaktivieren.
- Manuell (**MANU**): Drücken Sie die Taste **M+**, um die Waage manuell durchzuführen..
- Auto (**AUTO**): Die Waage führt die Waage automatisch durch.
- Annehmen (**ACCEPT**): Die Waage führt die Akkumulation im **Check-Modus** automatisch durch, wenn das Gewicht auf der Waagschale zwischen dem von Ihnen eingestellten Unter- und Überschreitungswert akzeptabel ist.

So legen Sie die Waage-Optionen fest:

1. Drücken Sie die **Menu** -Taste bis Sie **C.A.L.** sehen.
2. Drücken Sie kurz die **No**-Taste einmal kurz. Wenn Sie **S.E.E.U.P SEHEN**, drücken Sie die **Yes**-Taste.
3. Drücken Sie mehrmals kurz auf die Taste **No**, um zu navigieren, bis Sie **ACCUM** sehen. Drücken Sie die **Yes**-Taste.
4. Drücken Sie mehrmals kurz auf die Taste **No**, um die gewünschte Wiegsoption auszuwählen. Die vier Optionen wurden oben vorgestellt. Drücken Sie dann zur Bestätigung die **Yes**-Taste.
5. Drücken Sie die **Exit**-Taste zum Beenden.

3.2.2.2 Wiegen

Manuell

Legen Sie den Gegenstand auf die Waage und drücken Sie die Taste **M+**, um das Gewicht zum Wiegen hinzuzufügen. Die Anzeige Σ blinkt so lange, bis das Gewicht entfernt wird und stabil ist.

Auto


Legen Sie den Gegenstand auf die Waage. Der angezeigte Wert wird automatisch akkumuliert. Die Anzeige Σ blinkt so lange, bis das Gewicht entfernt wird und stabil ist.

Annehmen

Legen Sie den Gegenstand im Kontrollmodus auf die Waage. Der angezeigte Wert wird automatisch errechnet, wenn das Gewicht zwischen dem von Ihnen eingestellten Unter- und Überschreitungswert angenommen wird.

3.2.2.3 Anzeigen und Löschen statistischer Daten

Wenn die Waagschale leert ist, drücken Sie die Taste **M+**, um das Ergebnis der Errechnung und der Statistik anzuzeigen.

Um die Daten zu löschen, drücken Sie die Taste **CLR** des i-DT61XWE Modells oder die  Funktion auf dem i-DT61PW Terminal, während die statistischen Informationen angezeigt werden. Wenn auf dem Display **CLR.ACC**, angezeigt wird, drücken Sie die **Yes**-Taste, um die gespeicherten Daten zu löschen und zum aktuellen Modus zurückzukehren.

Hinweis:

- Der Gegenstand muss aus der Schale genommen werden, bevor der nächste Gegenstand gewogen werden kann.
- Es werden nur stabile Gewichte gelagert.
- Ein Wechsel des Modus löscht die gespeicherten Daten.
- Wenn RECHTLICHES FÜR DEN HANDEL EINGESCHALTET ist: für NTEP, können Brutto- und Nettogewicht nicht zur gleichen Summe addiert werden. Wenn das erste Gewicht als Bruttogewicht gezählt wird, sollten die folgenden Gewichte auf die gleiche Weise gezählt werden. Das Gleiche gilt für das Nettogewicht.

3.2.3 Prüfen

Verwenden Sie diese Anwendung, um das Gewicht von Gegenständen mit einem Zielgewicht zu vergleichen. Dieser Modus ist verfügbar zum Wiegen, Zählen, prozentualen und dynamischen Wiegen.

3.2.3.1 Prüfgrenzen festlegen

i-DT61PW

1. Drücken Sie **Target** aus dem Waage-, Zähl-, Prozent- oder dynamischen Modus, um Kontrollgrenzen mit **UNdEr** festzulegen.
2. Drücken Sie die **Yes**-Taste, um den Unterwert zu bearbeiten.
3. Wenn es einen gespeicherten Unterwert gibt, wird dieser auf dem Display angezeigt. Zum Beispiel: 1.0kg.
 - Drücken Sie **Yes**, wenn Sie diesen Wert verwenden möchten, das Display zeigt dann **Over**.
 - Drücken Sie **No**, wenn Sie diesen Wert nicht verwenden möchten, und fahren Sie mit Schritt 6 fort.
4. Wenn kein gespeicherter Wert vorhanden ist, zeigt das Display **000000**.
5. Um einen neuen Unterwert einzustellen, drücken Sie mehrmals kurz **No**, bis die gewünschte Zahl erscheint. Drücken Sie kurz auf **Yes**, um die Zahl anzunehmen und fortzufahren. Wiederholen Sie den Vorgang, bis alle Ziffern korrekt sind. Bestätigen Sie mit **Yes**. Dann erscheint auf der Anzeige **Over**.
6. Wiederholen Sie Schritt 2 bis 6, um den Überschreitungswert einzustellen.
7. Wenn die von Ihnen eingestellten Werte ungültig sind, zeigt das Display **--NO--** an und geht zurück zur Rückstellung.
8. Wenn die von Ihnen eingestellten Werte gültig sind, wechselt die Anzeige auf Wiegekontrolle.

DT61XWE


1. Drücken Sie **Target** für den Waage-, Zähl-, Prozent- od. dynam. Modus, um Kontrollgrenzen festzulegen.
2. Auf der Anzeige erscheint **UNdEr**.
3. Drücken Sie auf **Yes**, um den Unterwert zu bearbeiten.
4. Wenn es einen gespeicherten Unterwert vom letzten Mal gibt, zeigt das Display diesen an.
 - Drücken Sie **Yes**, wenn Sie diesen Wert verwenden möchten.
 - Drücken Sie **No**, wenn Sie diesen Wert nicht verwenden möchten oder keinen gespeicherten Wert haben. Geben Sie den gewünschten Wert mit der numerischen Tastatur ein. Drücken Sie **Yes**, um den Unterwert zu akzeptieren.
5. Auf dem Display erscheint **Over**.
6. Wiederholen Sie Schritt 2 und 3, um den Überwert einzustellen.
7. Wenn die eingestellten Werte ungültig sind, zeigt das Display **--NO--** an und wird zurückgestellt.
8. Wenn die eingestellten Werte gültig sind, stellt sich die Anzeige auf Waagekontrolle.

3.2.3.2 Positiv-Prüfung

Die Positivkontrolle bestimmt, wann das der Waage hinzugefügte Gewicht innerhalb des Zielbereichs liegt. In diesem Fall müssen die Unter- und Überwerte positiv sein. (Der Überwert muss größer als der Unterwert sein). Gewichte auf die Waage legen, bis diese innerhalb des akzeptablen (grünen) Bereichs liegen.


3.2.3.3 Negativ-Prüfung

Die Negativprüfung bestimmt, wann das von der Waage entfernte Gewicht innerhalb des Zielbereichs liegt. In diesem Fall sind sowohl die Unter- als auch die Überwerte negative Werte. Der Unterwert muss über dem Überwert liegen. (Zum Beispiel: der Unterwert ist -10; der Überwert ist -15).

Legen Sie den zu wiegenden Gegenstand auf die Waage und drücken Sie .
Entfernen Sie einen Teil des Gegenstandes, bis er sich im akzeptablen Bereich befindet.


3.2.3.4 Nullprüfung

Die Nullkontrolle wird beim Vergleich nachfolgender Proben mit einer ersten Referenzprobe verwendet. In diesem Fall muss der Unterwert ein negativer Wert und der Überwert ein positiver Wert sein.

Legen Sie den Referenzgegenstand auf die Waage und drücken Sie .
Entfernen Sie die Gewichte von der Waagenplattform, bis das Display anzeigt, dass es sich innerhalb des Akzeptanzbereichs (grün) befindet.

3.2.3.5 Prüfgrenzen löschen

Drücken Sie lange auf **Target bis** die Anzeige den Unter- und Überschreitungswert anzeigt.

Drücken Sie **CLR** am i-DT61XWE Modell oder  auf der i-DT61PW Anzeige, auf dem Display erscheint **CLR.CHL**. Drücken Sie **Yes**, um sowohl den Unter- als auch den Überschreitungswert zu löschen.

3.2.4 Anwendungseinstellungen

Die Anwendung kann für Benutzerpräferenzen angepasst werden.
So geben Sie Anwendungseinstellungen ein:

1. Halten Sie die **Menu**-Taste lang gedrückt, bis Sie **CLL**. Drücken Sie **No** mehrmals kurz, bis Sie **MODE** **SEHEN**. Drücken Sie **Yes**, um in den Anwendungsmodus Einstellungen.
2. Drücken Sie mehrmals kurz **No**, um zu navigieren, bis Sie die gewünschte Auswahl sehen.
3. Drücken Sie **Yes**, um die Auswahl zu treffen.
4. Wiederholen Sie Schritt 2 und 3 mehrere Male, bis Sie alle Einstellungen beendet haben.
5. Drücken Sie **Exit** zum Beenden.

Die Waagekonfigurationen sind folgend definiert (Standardwerte sind fett gedruckt).

Gegenstand	Verfügbare Einstellungen	Kommentare
Wiegen (WIEG)	An , Aus	Wiegen aktivieren

Hinweis: Sie können das Wiegen nicht deaktivieren, wenn Sie sich gerade im Modus befinden

3.3 Zählmodus

Verwenden Sie diese Anwendung, um Proben mit einheitlichem Gewicht zu zählen.

3.3.1 Modus-Eingabe

Zur Modus-Eingabe:


1. Drücken und halten Sie **Mode** gedrückt, bis **Count** angezeigt wird.
2. Wenn die **Mode** losgelassen wird, zeigt das Display **Clr.PWJ**.
3. Wenn Sie das gespeicherte Durchschnittsgewicht vom letzten Mal löschen müssen, drücken Sie **Yes**. Fahren Sie dann mit Schritt 5 fort.
Hinweis: Wenn das Gewicht auf der Schale größer als 1d ist, zeigt das Display **Clr.PAN** an, bis das Gewicht von der Schale entfernt wird.
4. Wenn Sie das zuletzt gespeicherte Durchschnittsgewicht abrufen und weiter verwenden möchten, drücken Sie **No**, um mit dem Wiegen zu beginnen.
Hinweis: Wenn zuvor kein Durchschnittsgewicht eingestellt wurde, entfallen die Schritte 3 und 4.

3.3.2 Einstellen des Durchschnittsgewichts

Um das Durchschnittsgewicht einzustellen:

1. Folgen Sie dem vorherigen Schritt 4.
 - **DT61PW:**
Auf dem Display wird der Stichprobenwert **PWt. 10**. Um diesen zu ändern, drücken Sie mehrmals kurz **No** bis Sie den gewünschten Wert sehen.
Hinweis: Die verfügbaren Stichprobewerte sind 5, 10, 20, 50 und 100 (der Standardwert ist 10).
 - **DT61XWE**
Die Anzeige blinkt mit der aktuellen Stichprobengröße, z.B. 10 Stk. Um ihn zu ändern, geben Sie den neuen Stichprobenumfang über die numerische Tastatur ein. Drücken Sie **Yes** erst, wenn Sie den nächsten Schritt abgeschlossen haben.
2. Legen Sie die angegebene Probenmenge auf die Waagschale und drücken Sie **Yes**, um das aktuelle stabile Gewicht zu erfassen.

Hinweis:

- Während des Erfassungsvorgangs erscheint auf der Anzeige - - - - - (i-DT61PW)
- Sie können zum tarieren  drücken. Die Mitte der Null-, PT- oder NET-Symbole leuchtet jeweils auf.
- Wenn das Durchschnittsgewicht zwischen 0,1d und 1d liegt, zeigt die Anzeige **LD.rEF** 1,5 Sekunden lang an. Dann beginnt das Wiegen.
- Wenn das Durchschnittsgewicht unter 0,1d liegt, zeigt das Display **rEF.Err** für für 1,5 Sekunden an und kehrt dann zur Anzeige in Schritt 1 zurück. Bitte ersetzen Sie die Proben auf der Schale und drücken Sie **Yes**, um wieder ein Durchschnittsgewicht zu erhalten.

3.3.3 Wiegen

1. Legen Sie die Teile auf die Schale und lesen Sie die Nummer ab. Die Anzahl der Teile und das Symbol Pcs werden angezeigt.
2. Drücken Sie **Function**, um vorübergehend das Durchschnittsgewicht anzuzeigen. **APWJ** wird für 0,5 Sekunden angezeigt. Dann wird das Durchschnittsgewicht für 1,5 Sekunden in der aktuellen Maßeinheit angezeigt.

Hinweis: Bitte lesen Sie unter Prüfen im Abschnitt Waagemodus nach, wie Sie die Kontrollfunktion im Zählmodus verwenden können.

3.3.4 Anwendungseinstellungen

Die Anwendung kann für Benutzerpräferenzen angepasst werden. Bitte lesen Sie im Abschnitt **Anwendungseinstellungen** im **Waagemodus** über die Einstellungsmöglichkeiten. Die Zählkonfigurationen sind nachstehend definiert (Standardeinstellungen in Fettdruck).

Gegenstand	Verfügbare Einstellungen	Kommentare
Wiegen (Count)	An, Aus	Wiegen aktivieren
Auto Opt. (Auto Opt.)	An , Aus	Aus: Auto Opt. ist aus. An: Das Durchschnittsgewicht wird beim Wiegen automatisch optimiert.

Hinweis: Count kann nicht deaktiviert werden, wenn bei Modus-Funktion.

3.4 Prozentmodus

Verwenden Sie diese Anwendung, um das Gewicht einer angezeigten Probe als Prozentsatz eines vorher festgelegten Referenzgewichts zu messen.

3.4.1 Modus-Eingabe

Um aus jedem Anwendungsmodus in den Prozentmodus zu gelangen:


1. Halten Sie **Mode** gedrückt, bis **PERCENT** angezeigt wird.
2. Wenn **Mode** losgelassen wird, zeigt die Anzeige **CLr.rEF** und das %-Symbol an.
3. Wenn Sie das gespeicherte Referenzgewicht vom letzten Mal löschen müssen, drücken Sie **Yes**. Fahren Sie dann mit Schritt 5 fort.
Hinweis: Wenn das erfasste Gewicht größer oder gleich 1d oder kleiner oder gleich -1d ist, zeigt die Anzeige **CLr.PAN** an, bis die Probe von der Schale genommen wird.
4. Wenn Sie das gespeicherte Referenzgewicht vom letzten Mal abrufen und weiter verwenden möchten, drücken Sie **No** und beginnen Sie mit dem Prozentwiegen.
Hinweis: Wenn zuvor kein Referenzgewicht gespeichert wurde, entfallen die Schritte 3 und 4.
5. Die Anzeige zeigt **PUt.rEF** an und das %-Symbol.

3.4.2 Referenzgewicht festlegen

Um ein Referenzgewicht festzulegen:

Folgen Sie dem vorherigen Schritt 5. Wenn **PUt.rEF** auf dem Bildschirm angezeigt wird, legen Sie die angegebene Probenmenge auf die Waagschale und drücken Sie die **Yes** um das aktuelle stabile Gewicht zu erfassen.

Hinweis:

- Sie können zum Trieren  drücken. Das Zentrum der Null-, PT- oder NET-Symbole leuchtet je nach Bedarf auf. Für i-DT61PW Modell zeigt das Display während des Erfassungsvorgangs - - - - -.
- Wenn das Referenzgewicht während des Erfassungsvorgangs weniger als 100d beträgt, zeigt die Anzeige **rEF.Err** für 1,5 Sekunden an und kehrt dann zur Anzeige **PUt.rEF** zurück. Platzieren Sie das Probe-gewicht wieder auf die Waagschale und drücken Sie die Yes-Taste, um das Referenzgewicht wiederherzustellen.

3.4.3 Prozentwiegens

1. Legen Sie eine Probe auf die Schale und lesen Sie die Prozentzahl ab. Der aktuelle Prozentwert und das %-Symbol werden angezeigt.
2. Drücken Sie **Function**, um vorübergehend das Referenzgewicht anzuzeigen. **rEF.Wt** wird für 0,5 Sekunden angezeigt. Dann wird der Wert des Referenzgewichts für 1,5 Sekunden in der aktuellen Maßeinheit angezeigt.

Hinweis: Bitte lesen Sie unter **Prüfen** im Abschnitt **Waagemodus** nach, wie Sie Prüfen im Modus Prozentwiegen verwenden.

3.4.4 Anwendungseinstellungen

Die Anwendung kann den Benutzerpräferenzen angepasst werden. Lesen Sie im Abschnitt **Anwendungseinstellungen** im **Waagemodus** nach, wie Anwendungseinstellungen eingegeben werden können.

Die Anwendungseinstellungen für das Prozentwiegen sind nachstehend definiert (Standardeinstellungen in Fettdruck).

Gegenstand	Verfügbare Einstellungen	Kommentare
Prozent (PERCENT)	An , Aus	Aktivieren des Prozentwiegens

Hinweis: Das Prozentwiegen kann im aktuellen Modus nicht deaktivieren werden.

3.5 Dynamischer Modus

Verwenden Sie diesen Modus, um eine instabile Last zu wiegen, z.B. ein sich bewegendes Tier.

3.5.1 Modus-Eingabe

Zum Eintritt in den Modus "Dynamisches Wiegen" aus jedem Anwendungsmodus:

1. Drücken und halten Sie **Mode** gedrückt, bis **dYNAm** angezeigt wird.
2. Auf der Anzeige erscheint **rEAdY**.

3.5.2 Dynamisches Wiegen

1. Am Anfang:
 - Wenn die Betriebsart manuell ist. Legen Sie die Last (größer oder gleich 5d) auf die Schale und drücken Sie **Function**, um den Mittelwertbildungsvorgang zu starten.
 - Beim halbautomatischen/automatischen Modus, legen Sie die Last (größer oder gleich dem Startgewicht) auf die Waagschale, und das Terminal startet den Mittelwertbildungsvorgang automatisch.
Hinweis: Die Anzeige muss brutto/netto auf Null sein, bevor die Last auf die Waagschale gelegt wird.
2. Während der Mittelwertbildung nimmt der Countdown-Timer in Schritten von einer Sekunde ab (Beispiel: die eingestellte Durchschnittszeit beträgt 5 s).
Hinweis: Wenn die eingestellte Durchschnittszeit 0s beträgt, wird der Countdown-Timer nicht angezeigt.
3. Die Messwerte werden gemittelt und auf der Anzeige gehalten, wenn der Countdown sowohl im Countdown- als auch im kontinuierlichen Modus abgeschlossen ist.
Zusätzlich beim DT61XWE Modell:
 - Das Tilde-Symbol blinkt und zeigt damit an, dass das aktuelle Gewicht im Countdown-Modus gehalten wird.
 - Das Tilde-Symbol blinkt und zeigt damit an, dass das aktuelle Gewicht im kontinuierlichen Modus in Echtzeit gemittelt wird.
Hinweis: Wenn die eingestellte Durchschnittszeit 0s beträgt, wird das erste Gewicht, das größer als 5d ist, angezeigt und gehalten.
4. So setzen Sie den Countdown-Timer zurück:
 - Wenn die Betriebsart manuell/halbautomatisch ist, drücken Sie **Function**, um den Countdown-Timer zurückzusetzen, wenn der Countdown läuft. Auf der Anzeige erscheint **rEAdY** und der Countdown beginnt von neuem.
 - Wenn die Betriebsart automatisch ist, nehmen Sie die Last von der Schale, und das Durchschnittsgewicht wird weiterhin angezeigt, bis die Zeitdauer abgelaufen ist. Dann erscheint auf der Anzeige **rEAdY**, und der Countdown beginnt von neuem.
Hinweis:
 - Die Anzeige **rEAdY** muss auf Brutto- oder Nettowert Null stehen, damit der Countdown-Timer zurückgesetzt werden kann.
 - Bitte lesen Sie unter Prüfen im Abschnitt Wiegemodus nach, wie Sie Prüfen im dynamischen Wiegemodus verwenden können.

3.5.3 Anwendungseinstellungen

Die Anwendung kann für Benutzerpräferenzen angepasst werden. Bitte lesen Sie im Abschnitt

Anwendungseinstellungen im **Wiegemodus** nach, wie Anwendungseinstellungen eingegeben werden können.

Die dynamischen Waagekonfigurationen sind nachstehend definiert (Standardeinstellungen in Fettdruck).

Gegenstand	Verfügbare Einstellungen	Kommentare
Dynamischer Modus (ԺԿՈՐՐԴ)	Countdown (Հ.ժՕԼՆՈ)/ Fortfahren (ՀՕՈՒԷ)/ Aus (ՕԲԲ)	Runterzählen: Es gibt eine Countdown-Zeit. Kontinuierlich: Die Mittelwertbildung wird nach der Countdown-Zeit fortgesetzt.
Dynamischer Betriebstyp (ժ.Է.ԿՐԷ)	Manuell (ՐԴՐՐՈ)/ Semi-automatisch (ՏԵՐԴ Ի)/ Automatisch (ԱՍԷՕ)	Manuell: Der Mittelwertbildungsprozess wird manuell gestartet und zurückgesetzt. Semi-automatisch: Der Mittelwertbildungsprozess wird automatisch gestartet und manuell zurückgesetzt. Automatisch: Der Mittelwertbildungsprozess wird automatisch gestartet und zurückgesetzt.
Startgewicht (Տ.ԼՆՃԷ)	0 ~ Kapazitätsgewicht	Das dynamische Wiegen beginnt, wenn die Last größer als das Startgewicht ist (für Semi-auto und Auto-Modus).
Zeitdauer (ժ.Է ԻՐԴԷ)	1 ~ 10 s	Es ist die Zeit, die die Anzeige das dynamischen Waageergebnis nach dem Abnehmen der Last beibehält.
Durchschnittszeit (Ր.Է ԻՐԴԷ)	0 ~ 30 s	Zeit in Sekunden. Wenn die durchschnittliche Zeit 0 ist, ist das erste stabile Gewicht (mehr als oder gleich 5d) das Ergebnis.

Hinweis: Sie können **Dynamic** nicht deaktivieren, wenn Sie sich im aktuellen Modus befinden.

3.6 FÜLLMODUS

Verwenden Sie diese Anwendung, um einen Behälter bis zu einem vorher festgelegten Zielgewicht zu füllen.

Hinweis: Füllmodus ist nur für das Modell i-DT61XWE verfügbar.

3.6.1 Modus-Eingabe

Um aus einem beliebigen Anwendungsmodus in den Füllmodus zu gelangen:

1. Halten Sie **Mode** gedrückt, bis **F ILL** angezeigt wird.
2. Das tatsächliche Gewicht wird auf dem Display angezeigt.

3.6.2 Füllen

1. Wenn sich die Waage im Stopp- oder Pausenzustand befindet, drücken Sie **Function**, um den Prozess des Füllens zu beginnen. Der Ausgangsbeport wird aktiviert.
2. Gewicht auf der Schale hinzufügen. Wenn ein Sollwert (SP1/SP2/SP3/SP4) erreicht ist, wird der entsprechende Ausgangsanschluss deaktiviert.
3. Wenn sich die Waage im Start- oder Pausestatus befindet, drücken Sie **Function**, um den Füllvorgang zu beenden. Der Ausgangsanschluss wird vollständig deaktiviert.

3.6.3 Fortsetzen und Anhalten des Füllens

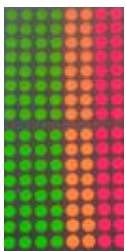
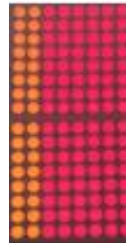
1. Wenn sich die Waage im Pausestatus befindet, drücken Sie **Target**, um den Füllvorgang fortzusetzen. Der Ausgangsanschluss wird je nach dem aktuellen Lastwert aktiviert oder deaktiviert.
2. Wenn sich die Waage im Startstatus befindet, drücken Sie **Target**, um den Füllvorgang zu unterbrechen. Der Ausgangsanschluss wird vollständig deaktiviert, und die Anzeige wird eingefroren.

3.6.4 Anzeige des Punktmatrixbildschirms

Der Punktmatrixbildschirm wird in eine bis vier Spalten unterteilt, je nachdem, wie viele Sollwerte (SP) gültig sind. Das Maximum beträgt vier Spalten. Wenn Sie z.B. vier Sollwerte (SP) festlegen, wird der Bildschirm in vier Spalten unterteilt. Darüber hinaus wird der Bildschirm je nach Belastungswert in verschiedenen Farben angezeigt.

Zum Beispiel:

1. Sie stellen vier gültige SP-Werte ein, und SP1 ist kleiner als SP2, SP2 kleiner als SP3, SP3 kleiner als SP4. Dann wird der Gitterbildschirm in vier Spalten unterteilt.
2. Zu Beginn des Füllens, wenn die erste Ladung kleiner als SP1 ist, erscheint die erste Spalte orange, die anderen rot.
3. Wenn die zweite Füllung fortgesetzt wird und die Gesamtbelastung jetzt größer oder gleich SP1 und kleiner als SP2 ist, wird die erste Spalte grün, die zweite orange und die anderen rot angezeigt.
4. Danach, um das dritte Mal zu füllen, wenn die Gesamtlast jetzt größer oder gleich SP2 und kleiner als SP3 ist, werden die ersten beiden Spalten grün, die dritte orange und die anderen rot angezeigt.
5. Zum vierten Mal laden, wenn die Gesamtlast jetzt größer oder gleich SP3 und kleiner als SP4 ist, werden die ersten drei Spalten grün und die vierte orange angezeigt.
6. Wenn die Gesamtbelastung jedoch mehr als SP4 beträgt, werden alle vier Spalten rot und das Gerät befindet sich in einem Stopp-Zustand.



3.6.5 Anwendungseinstellungen

Die Anwendung kann für Benutzerpräferenzen angepasst werden. Bitte lesen Sie im Abschnitt **Anwendungseinstellungen** im **Wiegemodus** nach, wie Anwendungseinstellungen eingegeben werden können. Die Füllkonfigurationen sind nachstehend definiert (Standardwerte sind fett gedruckt)

Gegenstand	Verfügbare Einstellungen	Kommentare
Füllen (F ILL)	An, Aus	Aktivieren des Füllwiegens

Hinweis: Das Ausfüllen kann im Modus nicht deaktiviert werden.

4. MENÜ-EINSTELLUNGEN

Das Benutzermenü erlaubt das Anpassen der Waage- Einstellungen.

Hinweis: Zusätzliche Untermenüs können verfügbar sein, wenn Interface-Optionen installiert sind. Siehe Interface-Benutzerhandbuch für zusätzliche Einstellungsinformationen.

4.1 MENÜ-NAVIGATION

4.1.1 Benutzermenü

Für i-DT61PW Modell

C.A.L	S.E.t.U.P	r.E.A.d	U.N.D.E	U.n. it	G.M.P	A.S.2.3.2	P.r. I.N.t	L.o.c.t	E.n.d
ZE-rD	rESEt	rESEt	rESEt	rESEt	rESEt	rESEt	rESEt	rESEt	
SPAN	C.UN it	StAbLE	WJE IGK	kg	d.FMTE	bAUD	ASS IGK	L.ALL	
L INE	CAP	ZE-rD	COUAb	g	dAEE	PAR ity	StAbLE	L.OFF	
GEO	G-rAd	F ILtEr	A.OPt	lb	t.FMTE	StOP	FMQdE	L.ZE-rD	
C.t.ESt	P.ZE-rD	AZt	PE-rCAt	oz	t FMTE	H.SHArE	t FMTE	L.Pr IMt	
End	P.UN it	b.L IGKt	dYNArM	lb;oz	P. Id	ALt.P	C.SUPM	L.UN it	
	A.tArE	S.SAUEr	d.tYPE	End	S. Id	ALt.t	tEPM	L.FMqDE	
	ACCUM	A.OFF	d.t FMTE		End	ALt.2	End	L.FMqNU	
	t.CAt	P.SAUEr	A.t FMTE			End		L.tArE	
	t.NEMt	End	End					L.tArGE	
	End							End	

Für i-DT61XWE Modell

C.A.L	S.E.t.U.P	r.E.A.d	U.N.D.E	U.n. it	G.M.P	A.S.2.3.2	P.r. I.N.t	I.O.	L.o.c.t	L. Ib	U.S.E.r	U.S.b	E.n.d
ZE-rD	rESEt	rESEt	rESEt	rESEt	rESEt	rESEt	rESEt	rESEt	rESEt	NEUW	NEUW	rESEt	
SPAN	C.UN it	StAbLE	WJE IGK	kg	d.FMTE	bAUD	ASS IGK	tYPE	L.ALL	Ed it	Ed it	tYPE	
L INE	r-ANGE	ZE-rD	PE-rCAt	g	dAEE	PAR ity	StAbLE	E mGAr	L.OFF	End	End	E.FMqNU	
GEO	CAP 1	F ILtEr	dYNArM	lb	t.FMTE	StOP	FMQdE	9 1	L.ZE-rD			L.FMqNU	
C.t.ESt	G-rAd 1	AZt	d.tYPE	oz	t FMTE	H.SHArE	t FMTE	E mGAr	L.Pr IMt			E.L Ib	
End	CAP2	L IGKt	S.tUt	lb;oz	P. Id	ALt.P	C.SUPM	92	L.UN it			L.L Ib	
	G-rAd2	S.SAUEr	d.t FMTE	End	S. Id	ALt.t	tEPM	OUt 1	L.FUNC			E.USER	
	P.ZE-rD	A.OFF	A.t FMTE		End	ALt.2	End	OUt2	L.FMqDE			L.USER	
	P.UN it	L.tEY	F ILL			End		OUt3	L.FMqNU			L.ENGtH	
	A.tArE	End	End					OUt4	L.tArE			S.d IG it	
	ACCUM							End	L.tArGE				
	t.bEEP								End				
	t.CL ICh												
	bP.S IG												
	L.S IGK												
	Ir.FUNC												
	Ir.RdJ												
	t.CAt												
	t.NEMt												
	P.tJd.EN												
	P.tJd												
	End												

Hinweis:

Einige Modi/Einheiten sind möglicherweise nicht in allen Modellen verfügbar.

Wenn RECHTLICHES FÜR DEN HANDEL EINGESCHALTET ist (der Sperrschalter befindet sich in der Sperrposition), werden die MENÜ-EINSTELLUNGEN wie unten beschrieben beeinflusst: Das Menü Kalibrierung (C.A.L.) ist nicht zugänglich.

- Die Nullbereichseinstellung ist bei 2% gesperrt.

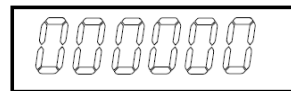
- Die Einstellung des stabilen Bereichs ist bei 1d gesperrt.
- Die Einstellung für die automatische Nullpunktverfolgung ist auf 0,5d gesperrt.
- Filter und Einheiten sind bei ihrer aktuellen EINSTELLUNGEN gesperrt.
- Stable Only ist auf Ein gesperrt.
- Automatischer Druck/Dauerbetrieb ist deaktiviert.
- Lb; oz-Einheit ist Aus gesperrt.

4.1.2 Tasten-Navigation

- Yes-Taste:** Ermöglicht den Eintritt in das angezeigte Menü.
Akzeptiert die angezeigte Einstellung und geht zum nächsten Gegenstand über.
- No-Taste:** Lehnt den Eintritt in das angezeigte Menü ab.
Das angezeigte Menü ab abgelehnt und geht zur nächsten Auswahl über.
- Back-Taste:** Bewegt sich rückwärts durch die Menüs des oberen und mittleren LEVELs.
Geht aus einer Liste wählbarer Gegenstände zum vorherigen Menü des mittleren LEVELs zurück.
- Exit-Taste:** Verlässt das Menü direkt zum aktiven Waagemodus.

Für Menü-Gegenstände mit numerischen Einstellungen wie z.B. Kapazität, wird die aktuelle Einstellung mit blinkenden Ziffern angezeigt. Zum Überarbeiten:

1. Drücken Sie **No**, um mit der Bearbeitung zu beginnen.



2. Die erste Ziffer wird blinkend angezeigt.



3. Drücken Sie **No**, um die Ziffer zu erhöhen, oder drücken Sie **Yes**, um die Ziffer zu akzeptieren und zur nächsten zu gehen.



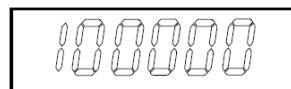
4. Wiederholen Sie diesen Vorgang für alle Ziffern.



5. Drücken Sie **Yes**, wenn die letzte Ziffer eingestellt wurde.



6. Die neue Einstellung wird angezeigt, wobei alle Ziffern blinken. Drücken Sie **Yes**, um die Einstellung zu akzeptieren, oder drücken Sie die **No**, um mit der Bearbeitung fortzufahren.



7. Um die aktuelle Menüauswahl zu beenden, drücken Sie **Yes** um zum nächsten Menü zu gelangen, oder drücken Sie **No**, um zum Anfang des aktuellen Menüs zurückzukehren.

Hinweis: Beim Modell i-DT61XWE kann der numerische Wert direkt über die Zehnertastatur eingegeben werden.

4.2 KALIBRIERUNGSMENÜ

Rufen Sie dieses Menü auf, um Kalibrierungen durchzuführen.

4.2.1 Erste Kalibrierung

Wird die Waage zum ersten Mal in Betrieb genommen, wird eine Null- und Messbereich-Kalibrierung empfohlen, um genaue Waageergebnisse zu gewährleisten.

Vergewissern Sie sich vor der Durchführung der Kalibrierung, dass Sie über die entsprechenden Kalibriergewichte verfügen, die in Tabelle 4-1 aufgeführt sind. Vergewissern Sie sich, dass der LFT-Schalter/Kalibrierverriegelung auf die entriegelte Position eingestellt ist.

Oder passen Sie die GEO-Einstellung entsprechend Ihrem Standort an

TABELLE 4-1

Erforderliches Gewicht zur Messbereich-Kalibrierung (separat erhältlich)			
Max	Gewicht	Max	Gewicht*
3000g	3kg / 5lb	30000g	30kg / 50lb
6000g	6kg / 10lb	60000g	60kg / 100lb
15000g	15kg/25lb	150000g	150kg / 250lb

Hinweis:

- Wenn die aktive Einheit g oder kg ist, wird die Kalibriereinheit in kg angegeben.
- Wenn die aktive Einheit lb, oz oder lb:oz ist, wird die Kalibriereinheit in lb angegeben.
- Für die Linearitätskalibrierung ist das Kalibriergewicht festgelegt. Der Mittelpunkt ist immer die Hälfte der vollen Kapazität.

4.2.2 Null-Kalibrierung [ZE-0]

Die Null-Kalibrierung verwendet einen Kalibrierpunkt. Der Null-Kalibrierungspunkt wird ohne Gewicht auf der Waage festgelegt. Verwenden Sie diese Kalibriermethode, um eine andere statische Last einzustellen, ohne die Messspanne oder die Linearitätskalibrierung zu beeinflussen.

Kalibrierverfahren:

1. Drücken Sie lange **Menu**, bis Sie **C.A.L.** sehen. Bestätigen Sie anschließend mit **Yes**.
2. Auf dem Display erscheint **ZE-0**. Bestätigen Sie mit **Yes**.
3. Auf der Anzeige blinkt **0** kg und die Kalibriereinheit. Wenn kein Gewicht auf der Waagschale liegt, drücken Sie **Yes**, um den Nullpunkt festzulegen.
4. Die Anzeige zeigt **--C--**, und dann **-DONE-**, wenn die Null-Kalibrierung beendet ist.

Hinweis:

Wenn die Null-Kalibrierung fehlgeschlagen ist oder wenn die Kalibrierung nach 40 Sekunden immer noch nicht erfolgreich ist, wird für 3 Sekunden, **CAL E** angezeigt und die vorherigen Kalibrierdaten werden wiederhergestellt. Die Waage verlässt den aktiven Wiegemodus und zeigt den aktuellen Gewichtswert in der aktuellen Wiegeeinheit an.

5. Dann erscheint auf der Anzeige **SPAN**. Drücken Sie zum Verlassen **Exit**.

4.2.3 Messbereich-Kalibrierung [SPAN]

Messbereich-Kalibrierung verwendet einen Punkt. Der Messbereich-Kalibrierungspunkt wird mit dem auf die Waage gelegten Kalibriergewicht bestimmt.

Hinweis: Die Messbereich-Kalibrierung sollte nach der Null-Kalibrierung durchgeführt werden.

Kalibrierverfahren:

1. Drücken Sie lange **Menu**, bis Sie **C.A.L.** sehen. Bestätigen Sie mit **Yes**.
2. Drücken Sie kurz auf **No**, um zu navigieren, bis Sie **SPAN**. Bestätigen Sie mit **Yes**.
3. Die Anzeige blinkt mit dem Kalibrierpunkt und der Kalibriereinheit basierend auf der im Kapazitätsmenü eingestellten Kapazität und Einheit. (z.B. 030.000 kg). Wenn Sie den Kalibrierpunkt nicht ändern müssen, fahren Sie mit Schritt 5 fort.
4. So ändern Sie den Kalibrierpunkt:

- i-DT61PW: Drücken Sie **No** mehrmals kurz, bis die gewünschte Ziffer erscheint. Drücken Sie kurz auf **Yes**, um die Ziffer zu akzeptieren und zur nächsten Ziffer zu wechseln. Wiederholen Sie den Vorgang, bis alle Ziffern korrekt sind. Drücken Sie **Yes**, um den Kalibrierpunkt zu akzeptieren. Die Anzeige blinkt mit dem von Ihnen eingestellten Kalibrierpunkt.
 - i-DT61XWE: Geben Sie den Kalibrierpunkt über die Zifferntasten ein. (Drücken Sie **Yes** erst, wenn Sie Schritt 5 abgeschlossen haben).
5. Legen Sie eine Kalibriermasse mit dem angegebenen Gewicht auf die Waagschale und drücken Sie **Yes**.
 6. Auf der Anzeige erscheint **--[]--**, und dann **-DONE-** wenn die Kalibrierung beendet ist.
 7. Dann zeigt das Display **L** an. Drücken Sie **Exit** zum Beenden.

Hinweis:

- Wenn die Kalibrierung fehlgeschlagen ist, wird für 3 Sekunden **CAL E** angezeigt und die vorherigen Kalibrierdaten werden wiederhergestellt. Die Waage verlässt den aktiven Waagemodus und zeigt den aktuellen Gewichtswert in der aktuellen Wägeeinheit an.
- Wenn die Kalibrierung nach 40s immer noch nicht erfolgreich ist, wird für 3 Sekunden, **CAL E** angezeigt und die vorherigen Kalibrierdaten werden wiederhergestellt. Die Waage kehrt in den aktiven Waagemodus zurück und zeigt den aktuellen Gewichtswert in der aktuellen Wägeeinheit an.

4.2.4 Linearitätskalibrierung [L IN]

Die Linearitätskalibrierung verwendet 3 Kalibrierpunkte. Der vollständige Kalibrierpunkt wird mit einem Gewicht auf der Waage ermittelt. Der mittlere Kalibrierpunkt wird mit einem Gewicht festgelegt, das der Hälfte des vollen Kalibriergewichts auf der Waage entspricht. Der Null-Kalibrierungspunkt wird ohne Gewicht auf der Waage festgelegt. Der volle Kalibrierpunkt und der mittlere Kalibrierpunkt können von der Benutzer während des Kalibrierverfahrens geändert werden.

Kalibrierverfahren:

1. Drücken Sie lang **Menu**, bis Sie **C.A.L.** sehen. Bestätigen Sie mit **Yes**.
2. Drücken Sie mehrmals kurz auf **No**, um zu navigieren, bis Sie **L IN**. Bestätigen Sie mit **Yes**.
3. Die Anzeige blinkt **0** kg und die Kalibriereinheit. Wenn kein Gewicht auf der Schale liegt, drücken Sie die Yes-Taste, um den Nullpunkt festzulegen.
4. Die Anzeige zeigt **--[]--**, an und blinkt mit dem ersten Kalibrierpunkt und der Kalibriereinheit, basierend auf der Kapazität und der Einheit, die Sie im Kapazitätsmenü eingestellt haben. (Für Beispiel, 015.000 kg). Wenn Sie den Kalibrierpunkt nicht ändern müssen, fahren Sie mit Schritt 6 fort.
5. So ändern Sie den Kalibrierpunkt:
 - i-DT61PW: Drücken Sie kurz **No** mehrmals kurz, bis die gewünschte Ziffer erscheint. Drücken Sie kurz auf **Yes**, um die Ziffer zu akzeptieren und zur nächsten Ziffer zu wechseln. Wiederholen Sie den Vorgang, bis alle Ziffern korrekt sind. Drücken Sie **Yes**, um den Kalibrierpunkt zu akzeptieren. Die Anzeige blinkt mit dem von Ihnen eingestellten Kalibrierpunkt.
 - i-DT61XWE: Geben Sie den Kalibrierpunkt über die Zifferntasten ein. (Drücken Sie hier die Yes-Taste erst, wenn Sie Schritt 6 abgeschlossen haben).
6. Legen Sie ein Gewicht auf die Waagschale und drücken Sie die Yes-Taste.
7. Auf der Anzeige erscheint **--[]--**, und blinkt dann mit dem zweiten Kalibrierpunkt und der Kalibriereinheit je nach Kapazität und Einheit, die Sie im Kapazitätsmenü eingestellt haben. (Für Beispiel, 030.000 kg).

Hinweis:

Wenn die Kalibrierung nach einer Wartezeit von 40s immer noch nicht erfolgreich ist, wird für 3 Sekunden, **CAL E** angezeigt und die vorherigen Kalibrierdaten werden wiederhergestellt. Die Waage verlässt den aktiven Waagemodus und zeigt den aktuellen Gewichtswert in der aktuell gewählten Wägeeinheit an.

8. Wiederholen Sie Schritt 5 und 6.
9. Die Anzeige zeigt **--[]--**, und dann **-DONE-** wenn die Linearitätskalibrierung beendet ist.
10. Dann zeigt das Display **GEO** an. Drücken Sie zum Beenden **Exit**.

4.2.5 GEO-Einstellung [GEO]

Der geographische Anpassungsfaktor (GEO) wird verwendet, um die Kalibrierung basierend auf dem aktuellen Standort anzupassen. EINSTELLUNGEN von 0 bis 31 sind verfügbar, wobei 12 die Standardeinstellung ist.

Bitte lesen Sie den Abschnitt **TABELLE DER GEO-WERTE** im Kapitel **TECHNISCHE DATEN**, um den GEO-Faktor zu bestimmen, der Ihrem Standort entspricht.

So stellen Sie den GEO-Faktor ein:

1. Drücken Sie lang **Menu**, bis Sie **C.A.L.** Bestätigen Sie mit **Yes**.
2. Drücken Sie kurz **No** mehrmals kurz, um zu navigieren, bis Sie **GEO**. Bestätigen Sie mit **Yes**.
3. Die Anzeige blinkt mit dem Geo-Punkt (Zum Beispiel, **12**).
4. Drücken Sie kurz **No** bis die gewünschte GEO-Nummer erscheint. Bestätigen Sie mit **Yes**, um die Einstellung zu beenden.
5. Dann zeigt die Anzeige **C.tESt**. Drücken Sie **Exit** zum Beenden.

4.2.6 Kalibrierungsprüfung[C.tESt]

Kalibrierprüfverfahren:

1. Drücken Sie lange auf **Menu**, bis Sie **C.A.L.** sehen. Bestätigen Sie mit **Yes**.
2. Drücken Sie mehrmals kurz auf **No**, um zu navigieren, bis Sie **C.tESt**. Bestätigen Sie mit **Yes**.
3. Die Anzeige blinkt mit **0** und die Kalibriereinheit basiert auf der Kapazität und der Einheit, die Sie im Kapazitätsmenü eingestellt haben. Wenn kein Gewicht auf der Schale liegt, bestätigen Sie mit **Yes**, um den Nullpunkt festzulegen.
4. Die Anzeige zeigt **--t--** an, während der Nullpunkt aufgezeichnet wird.
5. Die Anzeige blinkt mit dem Kalibriergewicht und dem Gewicht des letzten Zeitpunkts. (Für Beispiel, **0 15.000** kg).
6. So ändern Sie das Test-Kalibriergewicht:
 - i-DT61PW: Drücken Sie kurz auf **No** mehrmals kurz, bis die gewünschte Ziffer erscheint. Bestätigen Sie kurz mit **Yes**, zur Annahme und um zur nächsten Eingabe zu wechseln. Wiederholen Sie den Vorgang, bis alle Ziffern korrekt sind. Bestätigen Sie mit **Yes**, um den Kalibrierpunkt zu akzeptieren.
 - i-DT61XWE: Drücken Sie die Zifferntasten, um das Gewicht zu bearbeiten. (Bestätigen Sie hier nicht mit **Yes**, bis Sie Schritt 7 abgeschlossen haben).
7. Legen Sie das angegebene Prüfgewicht auf die Schale und bestätigen Sie mit **Yes**.
8. Die Anzeige blinkt mit der Differenz zwischen den Kalibrierdaten und dem Prüfgewicht. (Für Beispiel, **0,010** kg). Wenn das Terminal an einen Drucker oder andere Geräte angeschlossen ist, wird das Ergebnis der Kalibrierungsprüfung ausgedruckt **Kalibrierungsprüfung will be printed**.
9. Nach 5 Sekunden endet die Prüfung und die Waage kehrt mit der Anzeige des aktuellen Gewichts in den aktiven Wiegemodus zurück.

4.2.7 Cal beenden [End]

Wenn **End** angezeigt wird, bestätigen Sie mit **Yes**, um dieses Menü zu verlassen und zum nächsten Untermenü zu gelangen, oder drücken Sie die Taste **No**, um zum ersten Menü Gegenstand im Untermenü zu gelangen.

4.3 MENÜ-EINRICHTUNG

Rufen Sie dieses Menü **S.E.E.U.P** auf, um Waageparameter einzustellen. Standardmäßig sind Einstellungen **fett** gedruckt.

Für i-DT61PW Modell

Menü	Untermenü	Untermenü (im Segment)	Optionen	Optionen (im Segment)
Einrichten S.E.E.U.P	Zurücksetzen	rESEt	nein , ja	NO , YES
	Kapazitätseinheit	C.UN tE	kg , lb, t, g	/
	Kapazität	CAP	1-999999	/
	Graduierung	GrAd	0.0001~100	/
	Einschalt-Null	P.ZEr0	Aus, An	OFF , ON
	Einschaltgerät	P.UN tE	Auto , g, kg, lb, oz, lb:oz, t	AUTO
	Automatisch tarieren	A.tAr-E	Aus , An, Annehmen	OFF , ON, ACCEPT
	Akkumulation	ACCUM	Aus , Auto, Manuell, Annehmen	OFF , ON, AUTO, ACCEPT
	Transaktionszähler	t.CNt	Aus, An	OFF , ON
	Nächste Transaktion	t.NEXT	1-999999	/
	Ende	End	\	/

Für i-DT61XWE Modell

Menü	Untermenü	Sub-Menu (in segment)	Optionen	Optionen (im Segment)
Setup S.E.E.U.P	nein , ja	rESEt	nein , ja	NO , YES
	Kapazitätseinheit	C.UN tE	kg , lb	/
	Bereich	r-RNGE	Einfach , Zweifach	SINGLE , DUAL
	> 1 < Kapazität	CAP 1	1-999999	/
	> 1 <Abschluss	GrAd 1	0.0001~100	/
	> 2 < Kapazität [Bereich=Dual]	CAP 2	1-999999	/
	> 2 <Abstufung [Bereich=Dual]	GrAd 2	0.0001~100	/
	Einschalt-Null	P.ZEr0	Aus, An	OFF , ON
	Einschaltgerät	P.UN tE	Auto , g, kg, lb, oz, lb:oz	AUTO
	Automatisch tarieren	A.tAr-E	Aus , An, Annehmen	OFF , ON, ACCEPT
	Akkumulation	ACCUM	Aus , Auto, Manuell, Annehmen	OFF , ON, AUTO, ACCEPT
	Tastenton	t.bEEP	Aus, An	OFF , ON
	Schlüssel-Klick-Typ	t.CL tCt	einfach , doppelt	SINGLE , DOUBLE
	Piep-Signal prüfen	bP.S IG	aus, unter, über, annehmen, unter-über	OFF , UNDER, OVER, ACCEPT, UN-DU
	Lichtsignal prüfen	L.S IGn	blockieren , sperren, Segment	BLOCK , BAR, SEGMENT
	IR-Func	Ir.FUNC	Disp , Null, Trieren, Drucken	dISP , ZEr0, tAr-E, Pr INt
	IR-Abgleich	Ir.AdJ	AUS, NIEDRIG, HOCH	OFF , LOW, HI
	Transaktionszähler	t.CNt	Aus, An	OFF , ON
	Nächste Transaktion	t.NEXT	1-999999	/
PasswortFreigabe	P.Wd.EN	Aus , An	OFF , ON	
Ende	End	\	/	

Zurücksetzen [rESEt]

Setzen Sie das Setup-Menü auf die Werkseinstellungen zurück.

no = nicht zurücksetzen

YES = zurücksetzen

Kapazitätseinheit [C.UN t]

Wählen Sie die für die Kalibrierung verwendete Einheit.

t (Metrische Tonne)

g

kg

lb

Hinweis: t und g sind für das Modell i-DT61XWE nicht verfügbar.

Reichweite [rANGE]

Hinweis: Diese Einstellung steht nur für i-DT61XWE Modell zur Verfügung.

Legen Sie die Anzahl der Wiegeintervalle fest.

Diese Terminals können so konfiguriert werden, dass sie Einzel- oder Doppelintervalle verwenden. Jedem Intervall kann eine eigene Teilung zugewiesen werden. Wenn das duale Intervall ausgewählt ist, ändert sich die Graduierung, wenn das Gewicht das zweite Intervall erreicht.

Wenn **Einzelintervall** ausgewählt ist, stehen die zusätzlichen Parameter zur Verfügung:

- >|1|< Kapazität

- >|1|< Graduierung

Wenn **Duales Intervall** gewählt wird, arbeitet das Terminal mit zwei Intervallen, jedes mit seiner eigenen Kapazität und Abstufung. Zusätzlich zu den Kapazitäts- und Abstufungsparametern von Intervall 1 sind die folgenden beiden Parameter verfügbar:

- >|2|< Kapazität

- >|2|< Graduierung

Kapazität [CAP] / Kapazität 1 [CAP 1]

Stellen Sie die Kapazität der Waage oder die Kapazität der ersten Waage (für i-DT61XWE Modell) ein.
1...999999

Grad [GrAd] / Grad1 [GrAd 1]

Stellen Sie die Ablesbarkeit der Waage oder die Ablesbarkeit der ersten Waage für i-DT61XWE Modell von 0,0001 bis 100 ein.
0.0001~100

Kapazität2 [CAP2]

Stellen Sie die Kapazität des zweiten Maßstabs für i-DT61XWE Modell ein.

Grad2 [GrAd2]

Stellen Sie die Ablesbarkeit der zweiten Waage für das i-DT61XWE Modell ein.

Einschaltnullpunkt [P.ZEr0]

Stellen Sie den Saldo beim Einschalten auf Null.

OFF = deaktiviert.

ON = aktiviert.

Gerät einschalten [P.UN t]

Stellen Sie das Gerät ein, das beim Einschalten angezeigt werden soll.

Auto = letzte beim Ausschalten verwendete Einheit

kg = Kilogramm

g = Gramm

lb = Pfund

oz = Unze

lb:oz = Pfund; Unze

t = metrische Tonne (nur verfügbar für i-DT61PW Modell)

Automatisches Tarieren [A.T.A.-E]

Stellen Sie die automatische Tarafunktion ein.

OFF = die automatische Tara ist deaktiviert.

ON = das erste stabile Bruttogewicht wird tariert.

ACCEPT = stabile Bruttogewichte innerhalb der akzeptablen Grenzen werden tariert (im Kontrollmodus).

Berechnung [ACCUM]

Legen Sie die Berechnungsfunktion fest.

OFF = Die Berechnung ist deaktiviert.

AUTO = Die Berechnung wird automatisch durchgeführt.

MAN = Die Berechnung wird manuell durchgeführt.

ACCEPT = Akkumulation durchführen, wenn die Gewichte innerhalb der akzeptablen Grenzen liegen (im Prüfmodus).

Hinweis: Einzelheiten zur Akkumulation finden Sie im **Abschnitt Akkumulation und Statistik im Wiegemodus**.

Transaktionszähler [T.CNT]

Der Transaktionszähler ist ein siebenstelliger Zähler, der die gesamten Transaktionen verfolgt. Wenn der Wert 9.999.999 erreicht, bewirkt die nächste Transaktion einen Roll-Over auf 0000001.

OFF = Der Transaktionszähler wird nicht erhöht.

ON = Der Transaktionszähler erhöht sich mit dem zusätzlich verfügbaren Menü-Option. Nächste Transaktion ist verfügbar.

Hinweis: Wenn der Transaktionszähler auf **ON** gesetzt ist, erhöht sich die Zählnummer beim Drucken.

Nächste Transaktionszähler [T.NEXT]

Legen Sie den Wert der Anzeigen für die nächste Transaktion im Feld Nächste Transaktion fest.
1~999999

Haupt-Signalton [T.BEEP]

Legen Sie fest, ob der Signalton aktiviert wird, wenn eine Taste gedrückt wird.

OFF = kein Ton

ON = Ton

Hinweis: Diese Einstellung steht nur für i-DT61XWE Modell zur Verfügung.

Schlüssel-Klick-Art [T.CL ICT]

SINGLE = Einfachklick auf die Schaltfläche zur Ausführung der Operation.

DOUBLE = Doppelklicken Sie auf die Schaltfläche, um die Operation auszuführen.

Hinweis: Diese Einstellung steht nur für i-DT61XWE Modell zur Verfügung.

Piepser-Signal [bP.S IG]

Stellen Sie die Bedingung für den Piepton im Modus Kontrollwägen ein.

OFF = Der Piepton ist deaktiviert.

UNDER = Der Piepton wird aktiviert, wenn das Gewicht unter dem Unterwert liegt.

OVER = Der Piepton wird aktiviert, wenn das Gewicht über dem Überschreitungswert liegt.

ACCEPT = Der Piepton wird aktiviert, wenn das Gewicht innerhalb des festge. angen. Bereichs liegt.

UN-OV = Der Piepton wird aktiviert, wenn das Gewicht unter dem von Ihnen festgelegten Unter- oder Überwert liegt.

Hinweis: Diese Einstellung ist nur für das Modell i-DT61XWE verfügbar.

Lichtsignal prüfen [L.S IG]

Stellen Sie die Anzeige im Prüfmodus für Über-, Unter- u. akzeptables Gewicht angezeigt werden soll ein.

BLOCK = das Licht wird geblockt.

BAR = Das Licht wird in Balken angezeigt.

SEGMENT = Das Licht wird in Segment angezeigt.

Hinweis: Diese Einstellung ist nur für das Modell i-DT61XWE verfügbar.

IR-Funktion [Ir.FUNC]


Definieren Sie den Betrieb für den Infrarot-Strahlungssensor.

ZERO = Die Waage führt eine Nulloperation durch, die dem Drücken der **Zero** entspricht.

TARE = Die Waage tariert, wenn  gedrückt wird.

Print = Die Waage führt einen Druckvorgang durch, beim Drücken von **Print**.

display = schaltet die Hintergrundbeleuchtung ein.

Winken Sie mit der Hand vor dem Symbol.  auf dem Bedienungsfeld, um den eingestellten Vorgang auszuführen.

Hinweis: Diese Einstellung ist nur für i-DT61XWE Modell verfügbar.

IR-Anpassung [Ir.Adj]

Definieren Sie den Ansprechabstand des Infrarot-Strahlungssensors.

OFF = Der IR-Sensor ist deaktiviert.

LOW = Der Sensor reagiert innerhalb von 50 mm/2 Zoll.

HIGH = Der Sensor reagiert innerhalb von 100 mm/4 Zoll.

Hinweis: Diese Einstellung ist nur für das Modell i-DT61XWE verfügbar.

Passwort-Freigabe [Pwd.En]

Definieren Sie, ob Sie für den Zugang zum Menü ein Passwort benötigen. Wenn dieses aktiviert ist, muss das Passwort eingegeben werden.

OFF = zum Deaktivieren der Passwortfunktion.

ON = zum Aktivieren der Passwortfunktion.

Passwort [Pwd]

Dieses Untermenü erscheint nur, wenn das Menü Passwort aktivieren eingeschaltet ist.

Die Anzeige blinkt mit **_**, geben Sie das neue Passwort über die numerische Tastatur ein. Drücken Sie **CLR**, um Ihre Eingaben zu ändern. Bestätigen Sie mit **Yes**, wenn Sie fertig sind.

Einstellung beenden [End]

Zum nächsten Menü weitergehen oder zum Anfang des aktuellen Menüs zurückkehren.

4.4 LESE-MENÜ

Rufen Sie dieses Menü auf, um die Benutzer-Präferenzen einzustellen. Standardmäßig sind Einstellungen **fett** gedruckt.

Menü	Untermenü	Untermenü (im Segment)	Optionen	Optionen (im Segment)
Lesen (r.E.R.d)	Zurücksetzen	rESEt	nein, ja	NO , YES
	Stabilität	StAbLE	0.5d, 1d , 2d, 5d	0.5d , 1d , 2d , 5d
	Nullbereich	zEr0	2%, 100%	2 , 100
	Filter LEVEL	F ILtEr	Niedrig, mittel , hoch	LOW Med , HIGH
	Automatische Nullspur	AzT	Aus, 0.5d , 1d, 3d	OFF , 0.5d , 1d , 3d
	Helles LEVEL (i-DT61XWE)	L IGHE	Niedrig, mittel , hoch	Med , HIGH , LOW
	Gegenlicht (i-DT61PW)	b.L IGHE	Aus , An, Auto	OFF , ON , Auto
	Bildschirm	S.SRwEr	Aus, 1min, 2min, 5min (i-DT61PW) Aus, 5min, 10min, 30min (i-DT61XW)	OFF , 1 , 2 , 5 (i-DT61PW) OFF , 5 , 10 , 30 (i-DT61XW)
	Auto Aus	A.OFF	Aus , 5min, 10min, 30min	OFF , 5 , 10 , 30
	P.SAVE (i-DT61PW)	P.SRwEr	AN , AUS	ON , OFF
	L.KEY (i-DT61XWE)	L.FEY	Aus 0.5min, 1min, 2min, 5min	OFF , 0.5 , 1 , 2 , 5
	Ende	End	\	

Zurücksetzen [rESEt]

Setzen Sie das LESE-MENÜ auf die Werkseinstellungen zurück.

NO = nicht zurücksetzen.

YES = zurücksetzen

Stabilität [StAbLE]

Stellen Sie den Betrag um den der Messwert variieren kann ein, bevor sich das Stabilitätssymbol ausschaltet.

0.5d = 0.5 Waagenteilung

1d = 1 Waagenteilung

2d = 2 Waagenteilung

5d = 5 Waagenteilung

Null [zEr0]

Legen Sie den Prozentsatz der Waagekapazität fest, der auf Null gesetzt werden darf.

2% = der Nullbereich beträgt +/-2%

100% = Nullbereich ist +/-100%

Filter [F ILtEr]

Legen Sie die Stärke der Signalfilterung fest.

LOW = Schnellere Stabilisierungszeit bei geringerer Stabilität.

Med = Normale Stabilisierungszeit mit normaler Stabilität.

HIGH = Langsamere Stabilisierungszeit mit mehr Stabilität.

AZT [AzT]

Stellen Sie die automatische Nullverfolgungsfunktion ein.

OFF = deaktiviert

0.5d = Die Anzeige bleibt bei Null, bis eine Änderung von 0,5 Teilungen pro Sek. überschritten wird.

1d = Die Anzeige bleibt bei Null, bis eine Änderung von 1 Teilung pro Sek. überschritten wird.

3d = Die Anzeige bleibt bei Null, bis eine Änderung von 3 Divisionen pro Sek. überschritten wird.

Helle Anzeigenbeleuchtung [L IGHE]

Stellen Sie die Helligkeit der Anzeigenbeleuchtung ein.

L0LJ = Anzeigenbeleuchtung ist niedrig hell

00Ed = Anzeigenbeleuchtung ist mittel hell

H IGK = Anzeigenbeleuchtung ist sehr hell

Hinweis: Diese Einstellung steht nur für i-DT61XWE Modell zur Verfügung.

Hintergrundbeleuchtung [b.L IGHE]

Stellen Sie die Hintergrundbeleuchtungsfunktion der Anzeige ein.

OFF = Die Hintergrundbeleuchtung ist deaktiviert.

ON = Die Hintergrundbeleuchtung ist aktiviert.

RUED = Die Hintergrundbeleuchtung wird nach 5 Sekunden ohne Aktivität deaktiviert.

Hinweis: Diese Einstellung ist nur für das Modell i-DT61PW verfügbar.

Bildschirm [SCREEN]

Legen Sie fest, ob der Bildschirmschoner nach der ausgewählten Zeitspanne aktiviert wird.

Für i-DT61PW:

OFF = Bildschirmschoner ist deaktiviert

1 = Der Bildschirmschoner wird nach 1 Minute ohne Aktivität aktiviert.

2 = der Bildschirmschoner wird aktiviert, nachdem 2 Min. lang keine Aktivität stattgefunden hat.

5 = Der Bildschirmschoner wird aktiviert, nachdem 5 Min. lang keine Aktivität stattgefunden hat.

Für i-DT61XWE:

OFF = Der Bildschirmschoner ist deaktiviert

5 = der Bildschirmschoner wird nach 5 Minuten ohne Aktivität aktiviert.

10 = der Bildschirmschoner wird aktiviert, nachdem 10 Min. lang keine Aktivität stattgefunden hat.

30 = Der Bildschirmschoner wird aktiviert, nachdem 30 Min. lang keine Aktivität stattgefunden hat.

Sperrtaste [L.EY]

Alle Tasten werden nach dem ausgewählten Zeitraum gesperrt.

OFF = deaktiviert

0.5 = Tasten werden nach 30 Sekunden ohne Aktivität gesperrt.

1 = die Tasten werden nach 1 Sekunde ohne Aktivität gesperrt.

2 = Die Tasten werden nach 2 Sekunden ohne Aktivität gesperrt.

5 = Die Tasten werden nach 5 Sekunden ohne Aktivität gesperrt.

Automat. Ausschaltfunktion [A.OFF]

Legen Sie fest, ob die Anzeige nach der gewählten Zeitspanne in den Ruhemodus übergeht.

OFF = deaktiviert

5 = das Display geht nach 5 Minuten ohne Aktivität in den Schlafmodus über.

10 = das Display geht nach 10 Minuten ohne Aktivität in den Schlafmodus über.

30 = Das Display wechselt nach 30 Minuten ohne Aktivität in den Schlafmodus.

P. Speichern [P.SAVER]

Stellen Sie den Energiesparmodus ein, nachdem die Waage in den Standby-Modus geschaltet wurde.

ON = Energiesparmodus ist aktiviert.

OFF = Energiesparmodus ist deaktiviert.

Hinweis: Diese Einstellung gilt nur für das Modell i-DT61PW.

Lesen beenden [End]

Zum nächsten Menü weitergehen oder zum Anfang des aktuellen Menüs zurückkehren.

4.5 MENÜ-EINHEIT

Rufen Sie das Menü **U.N. I.E** auf, um die gewünschten Eingaben zu aktivieren.

Zurücksetzen
 Gramm (g)
 Kilogramm (kg)
 Pfund (lb)
 Unze (oz)
 Pfund:Unze (lb:oz)
 Tonne (t) (nur verfügbar für i-DT61PW Modell)
 Ende

Hinweis:

- Aufgrund lokaler Gesetze kann der Indikator einige der aufgeführten Eingaben nicht enthalten.
- Wenn der Sicherheitsschalter eingeschaltet ist, sind die aktuellen Einstellungen gesperrt.
- Die verfügbaren Eingaben variieren je nach Modell und örtlichen Vorschriften.

4.6 Arbeits- und Manufakturbestimmungsmenü

Rufen Sie dieses Menü auf, um die Daten der Arbeitsbestimmungen (GLP) oder der Manufakturbestimmungen (GMP) einzustellen.

Zurücksetzen [rE5E4]

Wenn Zurücksetzen ausgewählt und bestätigt wird, werden alle Untermenüs auf den Standardwert gesetzt.

Datumsformat [d.Fr7E]

Stellen Sie das Datumsformat ein.

MTJ [r7d7] = Monat.Tag.Jahr

TMJ [d7r7] = Tag.Monat.Jahr

JMT [7r7d] = Jahr.Monat.Tag

Datum [dA4E]

Stellen Sie das Datum entsprechend dem vorherigen Datumsformat ein, das Sie eingestellt haben.

Zum Beispiel stellen Sie JMT (Jahr.Monat.Tag) für das Datumsformat ein, und die Daten, die Sie eingeben werden, werden wie folgt gezeigt: 2020/4/17.

Dann stellen Sie das Datum ein als: 20.04.17 (Jahr. Monat. Tag)

Zeitformat [t.Fr7E]

Stellen Sie das Zeitformat ein.

24 Std = 24 Stundenformat.

12 Std = 12 Stundenformat.

Zeit [t.r7E]

Stellen Sie die Uhrzeit ein.

24 Stundenformat

00 bis 23 = Stundenposition

00 bis 59 = Minutenposition

12 Stundenformat:

00 bis 12 = Stundenposition

00 bis 59 = Minutenposition

Wie Sie die Nummer der Uhrzeit eingeben, entnehmen Sie bitte dem folgenden Abschnitt zur Projekt-ID.

Hinweis: Für i-DT61XWE Modell können Sie die Uhrzeit nicht über die numerische Tastatur eingeben.

Projekt-ID [P. 1d]

Legen Sie die Projekt-Identifikationsnummer fest.

Um die Nummer einzustellen, drücken Sie mehrmals kurz die Taste No, bis die gewünschte Nummer erscheint. Bestätigen Sie kurz mit **Yes**, um die Nummer zu akzeptieren und zur nächsten Ziffer zu gelangen. Wiederholen Sie den Vorgang, bis alle Ziffern korrekt sind. Bestätigen Sie mit **Yes**, um den Wert zu akzeptieren.

Für i-DT61XWE Modell können Sie die Projekt-ID über die numerische Tastatur eingeben.

Waage-ID [5. Id]

Legen Sie die Projektkennung fest.

Bitte lesen Sie im Abschnitt **Projekt-ID** nach, wie Sie die Nummer einstellen können.

Für i-DT61XWE Modell können Sie die Waage-ID über die numerische Tastatur eingeben.

Ende [End]

Zum nächsten Menüpunkt weitergehen oder zum Anfang des aktuellen Menüs zurückkehren.

4.7 VERBINDUNG

Menü	Untermenü	Untermenü(im Segment)	Optionen	Optionen (im Segment)
RS232 (r.5.2.3.2) / 2. SERIALPORT (2.5.E.r. 1.A)	Baudrate	bAUD	300, 600, 1200, 2400, 4800, 9600 , 19200, 38400, 57600	/
	Parität	PAR ITY	7 gerade, 7 ungerade, 7 keine, 8 Keine	7 EVEN , 7 ODD , 7 NONE , 8 NONE
	Stopp-Bit	STOP	1 Bit , 2 Bit	/
	Händeschütteln	H.SHAKE	Keine , Xan/Xaus	NONE , ONOFF
	Alt Drucken CMD	ALT.P	'A' ~ 'Z', P	/
	Alt Tara CMD	ALT.T	'A' ~ 'Z', T	/
	Alt Null CMD	ALT.Z	'A' ~ 'Z', Z	/
	Zurücksetzen	rESEt	\	/
Ende	End	\	/	

In diesem Menü können Sie externe Verbindungsmethoden definieren und Druckparameter einstellen.

Die Daten können entweder auf einem Drucker oder auf einem PC ausgegeben werden.

Die Werkvoreinstellungen sind **fett** gedruckt.

4.7.1 RS232-Menü

Rufen Sie dieses Menü auf, um Verbindungseinstellungen zu definieren.

Hinweis: RS232 ist nur für das Modell i-DT61XWE verfügbar.

Zurücksetzen [rESEt]

Setzen Sie das RS232-Menü auf die Werkseinstellungen zurück.

NO = nicht zurücksetzen.

YES = zurücksetzen

Baudrate [bAUD]

Stellen Sie die Baudrate (Bits pro Sekunde) ein.

300 = 300 bps

600 = 600 bps

1200 = 1200 bps

2400 = 2400 bps

4800 = 4800 bps

9600 = 9600 bps

19200 = 19200 bps

38400 = 38400 bps

57600 = 57600 bps

Parität [PAR ITY]

Setzen Sie die Datenbits und die Parität.

7 **EVEN** = 7 Datenbits, gerade Parität

7 **ODD** = 7 Datenbits, ungerade Parität

7 **NONE** = 7 Datenbits, keine Parität

8 NONE = 8 Datenbits, keine Parität

Stopp-Bit [5tOP]

Legen Sie die Anzahl der Stoppbits fest.

- 1 = 1 Stoppbits
- 2 = 2 Stoppbits

Händeschütteln [H.SHAKE]

Legen Sie die Flusststeuerung fest. Hardware-Handshaking ist nur für das Menü COM1 verfügbar.

- NONE = kein Handshaking
- ONOFF = XAN/XAUS Software-Handshaking

Alternativer Druckbefehl [ALt.P]

Legen Sie das alternative Befehlszeichen für Print fest.

Einstellungen von A (a) bis Z (z) sind verfügbar. Die Standardeinstellung ist **P**.

Alternativer Tara-Befehl [ALt.t]

Legen Sie das alternative Befehlszeichen für Tara fest.

Einstellungen von A(a) bis Z(z) sind verfügbar. Die Standardeinstellung ist **T**.

Alternativer Null-Befehl [ALt.z]

Legen Sie das alternative Befehlszeichen für Null fest.

Einstellungen von A (a) bis Z (z) sind verfügbar. Die Standardeinstellung ist **Z**.

Ende [End]

Zum nächsten Menü weitergehen oder zum Anfang des aktuellen Menüs zurückkehren.

4.7.2 Druck-Menü

In diesem Menü können Sie Druckparameter einstellen. Standardmäßig sind die Einstellungen fett gekennzeichnet.

Menü	Untermenü	Untermenü (im Segment)	Optionen	Optionen (im Segment)
Drucken (P.r. t.A.t. t)/ 2. Druck (P.r. t.A.t.z)	Auftrag	ASS UN	Bedarf , Auto An Stabil, Auto An Annehmen, Intervall (Sekunden), MT-kontinuierlich, OH-kontinuierlich, SICS	dErttRt , ON.StAb, ON.ACCEP, tntEr, rrtE.COt, OH.COt, S tS
	Nur stabiles Gewicht [Nachfrage]	StAbLE	Aus , An (LINKS Kraft An)	AUS, An
	Modus	rttdE	Belastung , Belastung und Nullstellung	LOAd , LOAd.zr
	[Auto Ein Stabil]	t tntE	1~50000	/
	Zeit	t.SUtT	An, Aus	ON, OFF
	[Intervall (Sekunden)]	tErttP	Einfach , Benutzerdefiniert 1, Benutzerdefiniert 2, Benutzerdefiniert 3, Benutzerdefiniert 4, Benutzerdefiniert 5	S tntP , CUSt 1, CUSt2, CUSt3, CUSt4, CUSt5
	Prüfsumme	rESEt	\	/
[MT-Kontinuierlich]	End	\	/	

Zurücksetzen [rESEt]

Setzen Sie das Druck-Menü auf die Werkseinstellungen zurück.

- NO = nicht zurücksetzen.
- YES = zurücksetzen

Zuweisung [ASS UN]

Belastung [dErttRt]

Wenn **Belastung** ausgewählt ist, wird das Untermenü **Nur stabil** angezeigt.

Legen Sie die Druckkriterien fest.

OFF = Werte werden sofort gedruckt, unabhängig von der Stabilität.

ON = Werte werden nur gedruckt, wenn das Stabilitätskriterium erfüllt ist.

Auto An Stabil [ON.StAb]

Wenn **Auto On Stable** gewählt ist, wird das Untermenü **Mode** angezeigt.

Stellen Sie den Druckmodus ein.

LoRd = Druckt, wenn die angezeigte Last stabil ist.

LoRd:Zr = Druckt, wenn die angezeigte Last und der Nullwert stabil sind.

Auto Ein Annehmen [ON.ACCEP]

Wenn **Auto On Accept** ausgewählt ist und der Waagemodus auf **Prüfen** steht, werden die Werte gedruckt, wenn das Gewicht akzeptiert wird.

ON.ACCEP = der Druck erfolgt immer dann, wenn die Anzeige innerhalb des akzeptablen Bereichs liegt und die Stabilitätskriterien erfüllt sind.

Intervall [InkEr]

Wenn **Intervall** ausgewählt ist, wird das Untermenü **Zeit** angezeigt.

InkEr = Der Druck erfolgt im definierten Zeitintervall.

Das Zeitintervall kann über das numerische Tastenfeld eingestellt werden.

Einstellungen von 1 bis 50000 Sekunden sind verfügbar. Die Voreinstellung ist 1.

Der Druck erfolgt in dem definierten Zeitintervall.

MT-Kontinuierlich [r7k.Con]

Wenn **MT-Continuous** gewählt wird, erfolgt die Druckausgabe im **MT-Continuous** Format.

r7k.Con = die Druckausgabe erfolgt kontinuierlich.

Hinweis: Siehe ANHANG A für **MT-Continuous** Format.

C.SUPP

Aus = deaktiviert

An = aktiviert

OH- Continuous [OH.Con]

Wenn **OH-Continuous** gewählt wird, erfolgt die Druckausgabe im **OH-Continuous** Format.

Hinweis: Siehe ANHANG A für **OH-Continuous** Format.

OH.Con = der Druck erfolgt kontinuierlich.

SICS [S IC5]

OFF = MT-SICS-Befehl deaktivieren

ON = MT-SICS-Befehl aktivieren

Hinweis: Siehe ANHANG B für **SICS**-Eingaben.

Drucken beenden [End]

Zum nächsten Menü weitergehen oder zum Anfang des aktuellen Menüs zurückkehren..

Vorlage [kE77P]

Dieses Untermenü dient dazu, das Format der Datenausgabe an einen Drucker oder Computer zu definieren.

S 777P = druckt nur Ergebnis und Einheit

k55k 1 = benutzerdefinierter Ausdruck-Format.

k55k 2 = benutzerdefinierter Ausdruck-Format.

k55k 3 = benutzerdefinierter Ausdruck-Format.

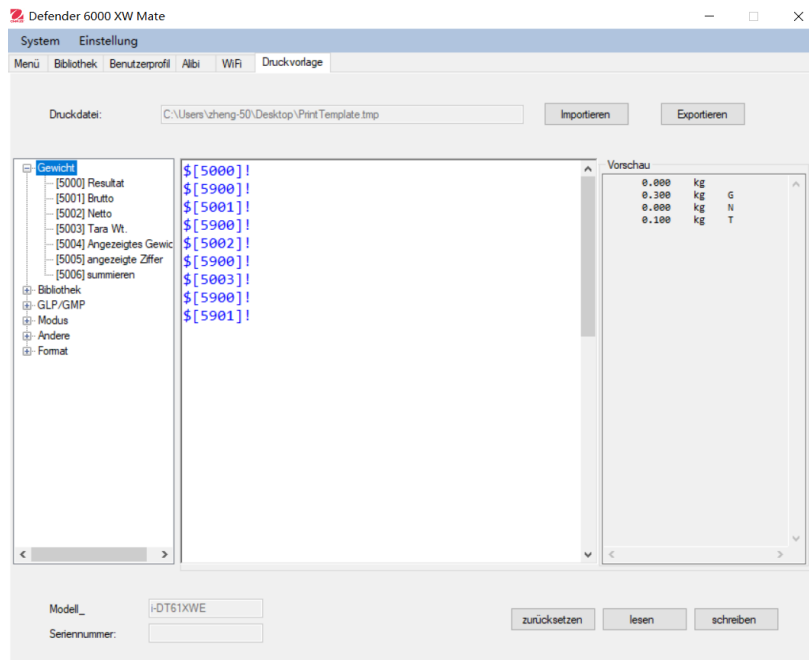
k55k 4 = benutzerdefinierter Ausdruck-Format.

k55k 5 = benutzerdefinierter Ausdruck-Format.

Beispiel Druckvorlage:

0.000 kg
 0.300 kg G
 0.000 kg N
 0.100 kg T

Um eine Druckvorlage anzupassen, müssen Sie zur ScaleMate-Software gehen, **Print template** in der oberen Leiste wählen und dann in der linken Spalte auf Gegenstände doppelklicken, um auszuwählen, welche Sie in Ihre Druckvorlage einfügen möchten.



Alternativ können Sie die Gegenstände in der mittleren Spalte auch direkt eingeben und mit `$(XXXX)!` Format anpassen. XXXX bezieht sich auf die Indexnummer jedes Druckgegenstands, bitte überprüfen Sie die folgende Tabelle für die Indexnummer jedes Gegenstandes.

Indexnummer	Druck-Gegenstand
5000	Ergebnis
5001	Brutto
5002	Netz
5003	Tara
5004	Angezeigte Wt
5005	Angezeigte Ziffer
5006	berechnen
5100	ID
5101	PN
5102	Lib Name
5200	Datum
5201	Zeit
5202	Projekt-ID
5203	Waage-ID
5204	BENUTZER-ID
5205	Transaktions-ID
5300	Modus
5301	Informationen
5302	Ziel
5400	Alibi-ID
5401	Eingabe-Status
5402	Ausgabe-Status

5403	SN
5900	NewLine
5901	Ende

Hinweis: Für die anderen Funktionen von ScaleMate wenden Sie sich bitte an einen autorisierten Händler, um die Anleitung der Software zu erhalten.

4.7.3 RS485-Konfiguration

Bitte beachten Sie die RS485-Konfiguration in der *Defender® 6000 RS232/RS485/USB Interface-Bedienungsanleitung*.

4.7.4 Ethernet-Konfiguration

Siehe Konfiguration in der *Defender® 6000 Ethernet Interface-Bedienungsanleitung*.

4.7.5 Analog-Konfiguration

Bitte lesen Sie den Abschnitt Analog-Konfiguration in der *Defender® 6000 Analog-Bausatz Bedienungsanleitung*.

4.8 SPEICHER

Das Menü SPEICHER ist für i-DT61PW und i-DT61XWE unterschiedlich. Bitte beachten Sie die folgenden Abschnitte für Details.

4.8.1 Speicher-Menü (für i-DT61PW Modell)

Status [STATUS]

Zum Aktivieren oder Deaktivieren der Speicher-Funktion.

OFF = Zum Deaktivieren der Speicher-Funktion.

ON = Zum Aktivieren der Speicher-Funktion. Drücken Sie die Drucktaste, um die Wiegedaten zu speichern.

Exportieren [EXPORT]

Um Wiegedaten zu exportieren.

NO = die Funktion zum Exportieren von Wiegedaten ist deaktiviert.

YES = die Funktion zum Exportieren von Waagedaten ist aktiviert.

Löschen [DELETE]

So löschen Sie Waagedaten.

NO = Waagedaten nicht löschen

YES = Waagedaten löschen

4.8.2 USB-Speicher (für i-DT61XWE Modell)

Der USB-Speicher wird verwendet, um die Waagewerte für zukünftige Referenzen zu speichern. Durch den Anschluss eines USB Flash-Laufwerks an die Waage können die Gewichtswerte nun direkt auf dem USB Flash-Laufwerk gespeichert werden.

Hinweis: Dieses Menü ist nur sichtbar, wenn ein USB Flash-Laufwerk erkannt wird.

Die Daten werden im Flash-Laufwerk an der folgenden Stelle gespeichert:

SYSTEMSDATEN

Es wird monatlich eine neue Datei erstellt (eine txt-Datei speichert die Ausgabedaten eines ganzen Monats...). Der Name der txt-Datei lautet Jahr plus Monat.TXT. Zum Beispiel lautet der Name der txt-Datei für 2020.6 **202006.TXT**.

So aktivieren Sie USB-Speicher:

1. Nachdem Sie ein USB-Flash-Laufwerk eingesteckt haben, drücken Sie **Menu** so lange, bis Sie **C.A.L.** sehen.
2. Drücken Sie mehrmals kurz auf **No** um zu navigieren, bis Sie **17.E.17.0** sehen. Bestätigen Sie mit **Yes**.
3. Drücken Sie kurz **No**, um zu navigieren, bis Sie mit **USB** sehen. Bestätigen Sie mit **Yes**.
4. Die Anzeige blinkt mit **ON**. Bestätigen Sie mit **Yes** zum Aktivieren.
5. Das Untermenü Link to (**L IN**) erscheint. Sie mit **Yes** zum Aktivieren.
6. Dann erscheint das Untermenü mit der Auswahl von RS232 (**r5232**), 2. Seriennr. (**2.5Er 1A**) und Ethernet (**ELEHNE**). Wählen Sie die gewünschte Option und bestätigen Sie mit **Yes**.

- Die Anzeige zeigt **END**. Bestätigen Sie mit **Yes**. Das Display zeigt das nächste Menü an. Drücken Sie **Exit**, um das Menü zu verlassen.

4.8.3 Alibi-Speicher (für i-DT61XWE Modell)

Hinweis: Dieses Menü ist nur sichtbar, wenn die Hardware-Option Alibi-Speicher installiert wurde. Siehe unten für Installationsanweisungen.

Alibi-Speicher wird verwendet, um die Gewichtshistorie als Referenz zu speichern. Jeder Alibi-Datensatz enthält Folgendes:

- KENNUNG
- Brutto-/Nettogewicht, Taragewicht und Gewichtseinheit
- Datum und Uhrzeit

Um Alibi-Einträge zu überprüfen, müssen Sie die ScaleMate-Software installieren. Bitte wenden Sie sich an einen autorisierten Händler, um die Software zu erhalten.

Die maximale Anzahl der Datensätze beträgt 262112.

Wenn der Speicher voll ist und ein weiterer Datensatz gespeichert wird, wird der erste Datensatz automatisch gelöscht. Zu diesem Zeitpunkt erscheint eine Warnhinweis-Meldung, die den Benutzer zur Bestätigung auffordert.

4.8.3.1 Alibi aktivieren

Zu aktivieren:

- Nachdem Sie die Hardware installiert haben, drücken Sie **Menu** so lange, bis Sie **C.A.L.** sehen.
- Drücken Sie mehrmals kurz auf **No**, um zu navigieren, bis Sie **ALIBI** sehen. Bestätigen Sie mit **Yes**.
- Drücken Sie kurz auf **No**, um zu navigieren, bis Sie **ALIBI** sehen. Bestätigen Sie mit **Yes**.
- Die Anzeige blinkt mit **ON**. Bestätigen Sie mit **Yes**, um Alibi zu aktivieren.
- Die Anzeige zeigt **END**. Bestätigen Sie mit **Yes**. Die Anzeige zeigt das nächste Menü **L. I.B.** Drücken Sie die Taste **Exit** zum Verlassen.

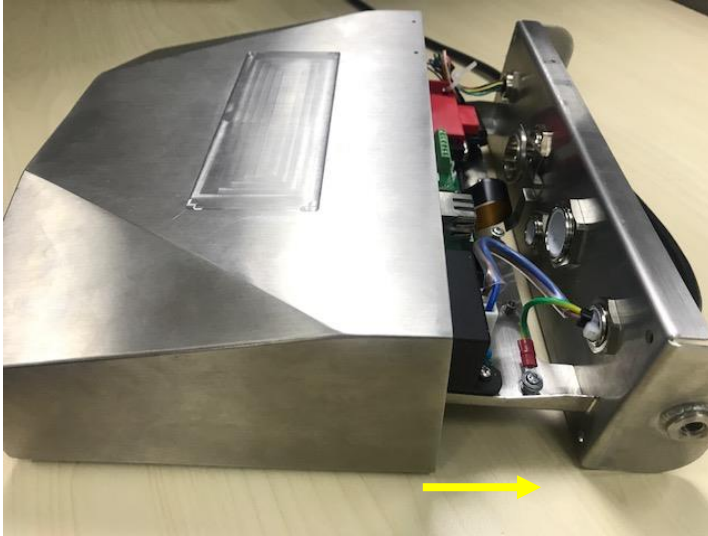
4.8.3.2 Alibi installieren

Zum Installieren:

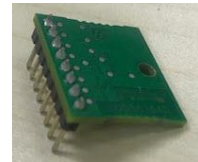
- Schalten Sie das Terminal aus und ziehen Sie den Netzstecker. Nehmen Sie Waagschale herunter.
- Legen Sie das Terminal nach unten, und lösen Sie die in der folgenden Abbildung markierten Schrauben.



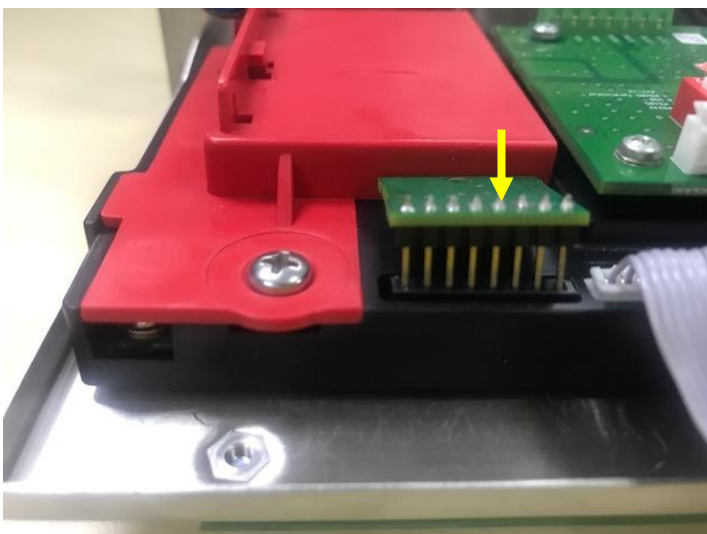
3. Ziehen Sie die Unterseite des Terminals heraus.



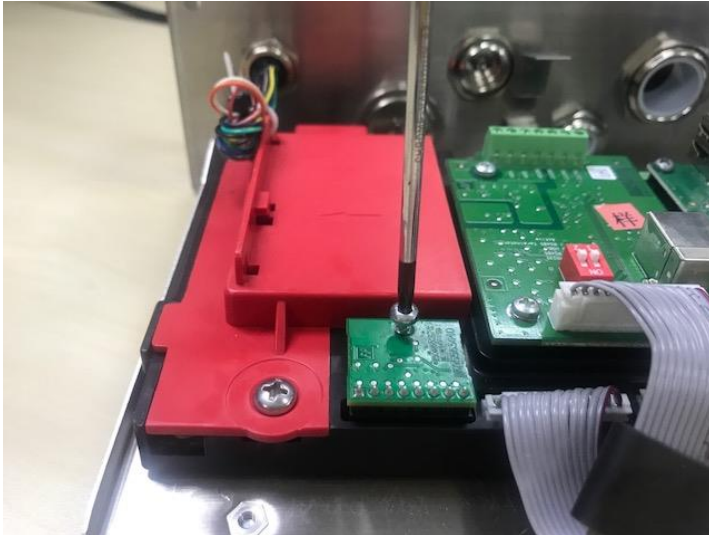
4. Nehmen Sie die Alibi-Speicher-Tafel heraus und bereiten Sie die Installation an der eingekreisten Stelle vor.



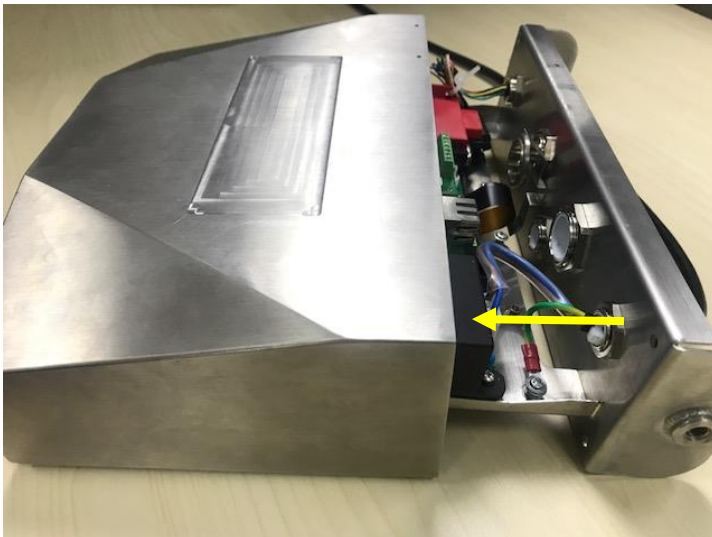
5. Stecken Sie die Alibi-Speicherkarte wie unten dargestellt in den Steckplatz ein. Bitte stellen Sie sicher, dass die Pins richtig eingesetzt sind.



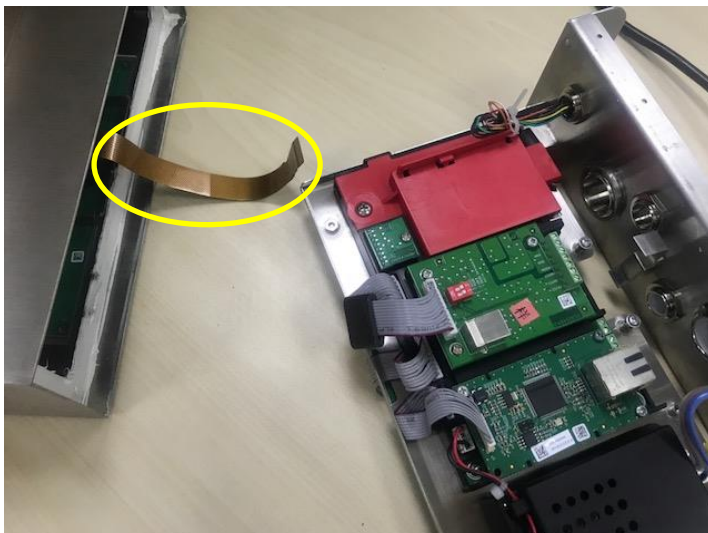
- Die Schraube mit einem Schraubendreher festziehen und prüfen, dass die Alibi-Speicheplatine richtig sitzt.



- Das Unterteil des Terminals einziehen und prüfen, dass alle in Schritt 2 markierten Schrauben angezogen sind.

**Hinweis:**

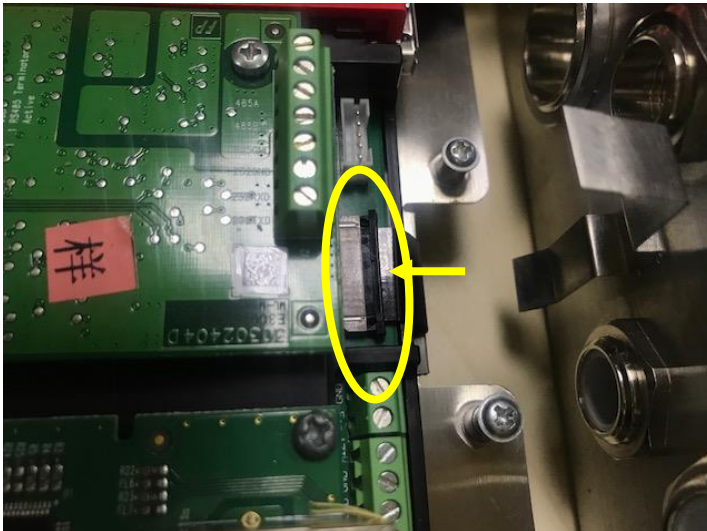
Es besteht die Möglichkeit, dass sich das Tastenkabel von der Unterseite des Terminals löst, wenn es herausziehen wird. In diesem Fall sind folgende Schritte zu folgen, um das Tastenkabel wieder anzubringen:



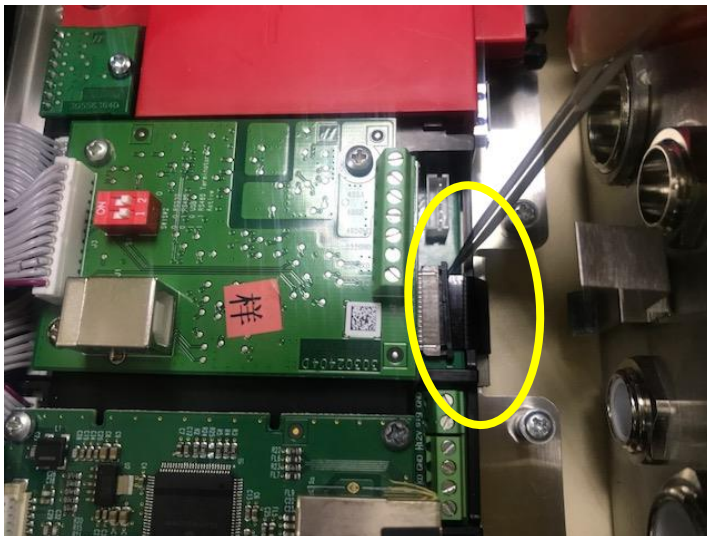
1. Nach Installation der Albi-Speichertafel, führen Sie das Tastenkabel durch den Boden des Messgeräts.



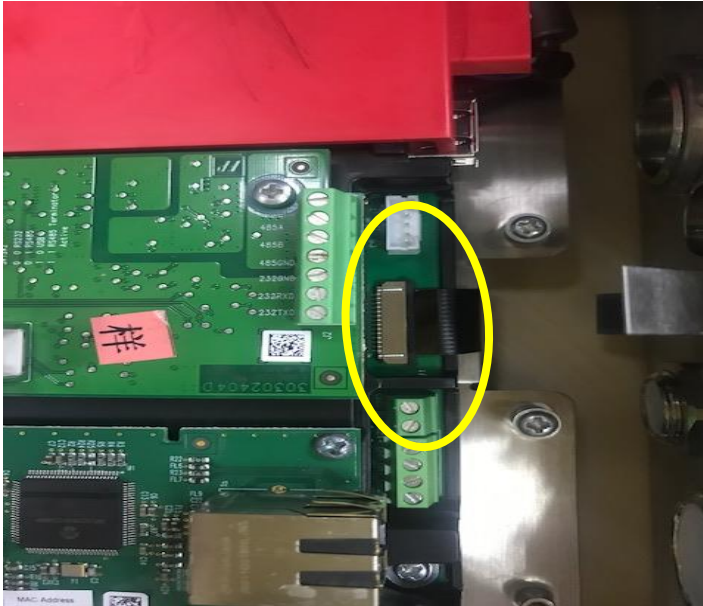
2. Ziehen Sie es unter den FPC-Sockel. Das Tastenkabel weiter unter den FPC-Sockel drücken, so dass das Kabel festsetzt.



3. Eine Pinzette oder andere Werkzeuge benutzen, um beide Seiten des FPC-Sockels einzuziehen.



4. Prüfen Sie, dass der gesamte FPC-Sockel eingeschoben und das Tastenkabel fest daran befestigt ist.



5. Den vorherigen Schritt 7 wiederholen, um den Terminalsockel einzudrücken und alle Schrauben anzuziehen.

4.9 Diskreter E/A (für i-DT61XWE Modell)

Das diskrete E/A-Menü ermöglicht die Konfiguration von 3 Eingängen und 4 Ausgängen. Der diskrete Eingang0 befindet sich an J16 auf der Hauptplatte (siehe Abschnitt **Hauptplatte**, wo er sich befindet), während sich die weiteren diskreten Ein- und Ausgänge auf der optionalen Platine für diskrete E/A befinden.

Menü	Untermenü	Untermenü (im Segment)	Optionen	Optionen (im Segment)
I.O. i.O.	Zurücksetzen	RESET	nein, ja	NO, YES
	TYP	TYPE	GEÖFFNET, GESCHLOSSEN	OPEN, CLOSED
	Diskreter Eingang0	INPUT0	Aus, Nullstellen, Tara, Tara löschen, Drucken, Einheit, Akkumulieren, Start, Zurücksetzen, Start/Stop, Pause/Fortsetzen	OFF, ZERO, TARE, CLRTAR, PRINT, UNIT, ACCUM, START RESET, STAR-SP, PAUSE
	Diskreter Eingang1	INPUT1	Aus, Nullstellen, Tara, Tara löschen, Drucken, Einheit, Akkumulieren, Start, Zurücksetzen, Start/Stop, Pause/Fortsetzen	OFF, ZERO, TARE, CLRTAR, PRINT, UNIT, ACCUM, START RESET, STAR-SP, PAUSE
	Diskreter Eingang2	INPUT2	Aus, Nullstellen, Tara, Tara löschen, Drucken, Einheit, Akkumulieren, Start, Zurücksetzen, Start/Stop, Pause/Fortsetzen	OFF, ZERO, TARE, CLRTAR, PRINT, UNIT, ACCUM, START RESET, STAR-SP, PAUSE
	Diskreter Ausgang1	OUT1	Aus, Überlast, Unterlast, Über, Unter, Akzeptieren, Unter/Über, SP1, SP2, SP3, SP4, Alarm	OFF, OULOAD, UNLOAD, OVER, UNDER, ACCEPT, UN-OV, F.SP1, F.SP2, F.SP3, F.SP4, ALARM
	Diskreter Ausgang2	OUT2	Aus, Überlast, Unterlast, Über, Unter, Akzeptieren, Unter/Über, SP1, SP2, SP3, SP4, Alarm	OFF, OULOAD, UNLOAD, OVER, UNDER, ACCEPT, UN-OV, F.SP1, F.SP2, F.SP3, F.SP5, ALARM
	Diskreter Ausgang3	OUT3	Aus, Überlast, Unterlast, Über, Unter, Akzeptieren, Unter/Über, SP1, SP2, SP3, SP4, Alarm	OFF, OULOAD, UNLOAD, OVER, UNDER, ACCEPT, UN-OV, F.SP1, F.SP2, F.SP3, F.SP5, ALARM
	Diskreter Ausgang4	OUT4	Aus, Überlast, Unterlast, Über, Unter, Akzeptieren, Unter/Über, SP1, SP2, SP3, SP4, Alarm	OFF, OULOAD, UNLOAD, OVER, UNDER, ACCEPT, UN-OV, F.SP1, F.SP2, F.SP3, F.SP5, ALARM
	Ende	End	\	/

4.9.1 E/A-Typ

Legen Sie den Status des Relaisausgangs fest.

OPEN = der Anfangszustand des Relaisausgangs ist normalerweise offen.

CLOSED = der Anfangszustand des Relaisausgangs ist normalerweise geschlossen.

4.9.2 Eingang

Die Funktion des Eingangs E/A ist unten definiert.

OFF	Die Eingangsverbindung ist deaktiviert.
ZER0	Der externe Eingang initiiert eine Null-Funktion.
EAR-E	Der externe Eingang löst eine Tarafunktion aus
CLR-TAR	Der externe Eingang löst eine Clear-Tara-Funktion aus
Pr INE	Der externe Eingang initiiert eine Druckfunktion
UN IE	Der externe Eingang initiiert eine Unit-Funktion
ACCUM	Der externe Eingang initiiert eine Akkumulieren-Funktion
START	Der externe Eingang initiiert eine Startfunktion
RESET	Der externe Eingang löst eine Reset-Funktion aus
START-SP	Der externe Eingang initiiert eine Startfunktion, der zweite externe Eingang initiiert eine Stoppfunktion.
PR-RE	Der externe Eingang initiiert eine Pausenfunktion, der zweite externe Eingang initiiert eine Fortsetzungsfunktion.

4.9.3 Ausgang

OFF	Der Ausgangsanschluss ist deaktiviert.
OVERLOAD	Wenn das Gewicht überlastet ist, führt das Gerät einen Relaisausgang aus.
UNDERLOAD	Wenn das Gewicht unterbelastet ist, führt das Gerät einen Relaisausgang aus.
OVER	Wenn das Gewicht über dem von Ihnen eingestellten Überwert liegt, gibt das Gerät einen Relaisausgang aus.
UNDER	Wenn das Gewicht unter dem von Ihnen eingestellten Unterwert liegt, gibt das Gerät einen Relaisausgang aus.
ACCEPT	Wenn das Gewicht innerhalb des von Ihnen festgelegten akzeptablen Bereichs liegt, führt das Gerät einen Relaisausgang aus
UN-OV	Liegt der Wiegewert unter dem von Ihnen eingestellten Unter- oder Überschreitungswert, führt das Gerät einen Relaisausgang aus
F.SP1	Der Wiegewert ist \geq SP1, das Gerät führt einen Relaisausgang aus
F.SP2	Der Wiegewert ist \geq SP2, das Gerät führt einen Relaisausgang aus
F.SP3	Der Waagewert ist \geq SP3, das Gerät führt einen Relaisausgang aus
F.SP4	Der Wiegewert ist \geq SP4, das Gerät führt einen Relaisausgang aus

4.10 KONFIGURATION DER SPERRTASTE

Dieses Menü **L.O.C.F** dient dazu, den Zugriff auf bestimmte Tasten zu sperren. Wenn Sie für eine Auswahl **ON** wählen, wird der zugehörige Tastendruck ignoriert.

Wenn Sie Alle Tasten sperren wählen, verlieren Sie die Funktion aller Tasten. Zum Entsperren drücken Sie die **Menu**-Taste 30 Sekunden lang, um zu den Einstellungen zu gelangen, um sie zu entsperren.

Gegenstand	Verfügbare Einstellungen (Standardeinstellungen sind fett gekennzeichnet)
Alle Tasten sperren [L.ALL]	AUS, EIN
Sperrtaste [L.OFF]	AUS, EIN
Nulltaste sperren [L.ZER0]	AUS, EIN
Druck-Taste sperren [L.Pr INE]	AUS, EIN
Einheitsschlüssel sperren [L.UN IE]	AUS, EIN
Sperrmodus-Taste [L.ModE]	AUS, EIN
Menü-Taste sperren [L.MENU]	AUS, EIN
Tara-Taste sperren [L.TAR-E]	AUS, EIN
Ziel-Taste sperren [L.TAR-GE]	AUS, EIN
Numerischen Schlüssel sperren [L.NUM]	AUS, EIN
Zurücksetzen	NEIN, JA

Hinweis: Wenn die **Menu** -Taste gesperrt wurde, drücken Sie die **Menu** -Taste 30 Sekunden lang, um die Einstellungen aufzurufen und sie zu entsperren.

4.11 INFORMATION (für i-DT61XWE Modell)

Die Information unterstützt bis zu 400 Datensätze. Die Anwendungsmodi teilen sich eine Bibliothek.

Die Informationen können mit den unten aufgeführten Methoden kopiert werden:

1. Kopieren aller Dateien auf ein USB-Gerät.
2. Verwenden Sie die Software ScaleMate (Version 2.3.0 oder höher), um alle Dateien in der Bibliothek zu lesen. Bitte wenden Sie sich an einen autorisierten Händler, um die Software zu erhalten.

Verzeichnis

Bibliothek	I-DT61XWLIB
------------	-------------

Elementinhalte

Die Bibliotheken verfügen über mehrere Eingaben PN, Name, Tara, Unter, Über, Referenzgewicht, F.SP1, F.SP2, F.SP3 und F.SP4

PN (**PN**): Die Teilenummer des Materials (eindeutig).

Bezeichnung (**NAME**): Der Name des Materials.

Unter (**UNTER**): Der Name des Materials: Die Untergrenze der Prüfung.

Über (**OVER**): Die Obergrenze: Das Über-Limit der Prüfung.

Tara (**TARE**): Die Tara: Das Taragewicht des Materials.

Referenzgewicht (**REF.WGT**): Das Referenzgewicht für das Prozentwägen.

APW (**APW**): the durchschnittliches Stückgewicht für das Zählen.

F.SP1 (**F.SP 1**): das erste Zielgewicht für die Füllung.

F.SP2 (**F.SP2**): das zweite Zielgewicht für die Füllung.

F.SP3 (**F.SP3**): das dritte Zielgewicht für Füllung.

F.SP4 (**F.SP4**): das fürte Zielgewicht für Füllung.

Jeder Waagemodus unterstützt verschiedene Gegenstände. Siehe nachstehende Tabelle:

Gegenstand \ Modus	PN	Name	Unter	Über	Tara	Referenzgewicht	DURCHSCHNITTSGEWICHT	F.SP 1	F.SP 2	F.SP 3	F.SP 4
Wiegen	X	X	X	X	X						
Prozent	X	X	X	X	X	X					
Dynamisch	X	X	X	X	X						
Füllung	X	X			X			X	X	X	X
Zählen	X	X	X	X	X		X				

Neue Informationen erstellen

So erstellen Sie eine neue Bibliothek:

1. Drücken Sie **Menu** lang, bis Sie **C.A.L. SEHEN**. Drücken Sie mehrmals kurz **No** um zu navigieren, bis Sie **L. I.B.** sehen. Bestätigen Sie mit **Yes**.
2. Bestätigen Sie mit **Yes**, wenn Sie **NEU SEHEN**.
3. Das Display zeigt **TYPE**. Bestätigen Sie mit **Yes**, um zu wählen. Drücken Sie kurz **No**, um zwischen Wiegen (**WJE IGH**), Prozent (**PERCENT**), Dynamisch (**DYNAM**) und Füllung (**FILL**). Wenn Sie den gewünschten Typ sehen, bestätigen Sie mit **Yes**, um zu wählen.
4. Die Anzeige zeigt **PN N.** Bestätigen Sie mit **Yes**, um die PN-Nummer einzugeben. Eingabe mit Hilfe der numerischen Tastatur. Bestätigen Sie mit Ja, wenn Sie fertig sind.
5. Die Anzeige zeigt **NAME N.** Bestätigen Sie mit **Yes**, um den Namen einzugeben. Geben Sie den Namen mit der numerischen Tastatur ein. Bestätigen Sie mit **Yes**, wenn Sie fertig sind.

6. Dann zeigt das Display für jeden Modus andere Werte an, wie sie in der vorherigen Tabelle aufgeführt sind. Drücken Sie die **Yes**-Taste, um jeden Wert einzugeben. Geben Sie den Wert über die numerische Tastatur ein. Drücken Sie die **Yes**-Taste, wenn Sie fertig sind..
7. Das Display zeigt **End** an, wenn alle Einstellungen beendet sind. Bestätigen Sie mit **Yes**.
8. Das Display zeigt **SAVE An**. Bestätigen Sie mit **Yes** zum speichern.
9. Das Display zeigt das nächste Menü mit **Exit**. Drücken Sie **Exit** zum beenden.

Hinweis:

Wenn für einige Objekte aus Schritt 5 bis 7 keine Werte eingegeben wurden, kann auf der Schaltfläche **No** gedrückt werden, um zum nächsten Modus zu springen.

Element bearbeiten

Um ein Element zu bearbeiten:

1. Drücken Sie lang **Menu** bis Sie **C.R.L**. Drücken Sie mehrmals kurz **No** um zu navigieren, bis Sie **L. I.b.** sehen. Bestätigen Sie mit **Yes**.
2. Drücken Sie **No** um auszuwählen, bis **Ed It Erscheint**. Bestätigen Sie mit **Yes**.
3. Auf dem Display erscheint **SEARCH**. Bestätigen Sie mit **Yes**.
4. Geben Sie die PN-Nummer für das entsprechende Element ein, den Sie bearbeiten wollen. Benutzen Sie die numerische Tastatur zur Eingabe und bestätigen Sie mit **Yes**, wenn Sie fertig sind.

Wenn Sie die PN-Nummer suchen müssen, geben Sie mindestens eine Nummer der PN dieses Gegenstandes über die numerische Tastatur ein und bestätigen Sie mit Ja. Die erste PN enthält die Nummer, die Sie eingeben, wird angezeigt. Drücken Sie kurz auf die Taste **No**, um zwischen verschiedenen Artikelnummern zu navigieren. Wenn die von Ihnen gewünschte Nummer angezeigt wird, bestätigen Sie mit **Yes**.

Wenn Sie mehr als eine Nummer der PN eingeben, achten Sie, dass die PN aufeinander folgen.

Wenn Sie z.B. ein Element mit PN 76543 suchen wollen, um nur eine Nummer einzugeben, können Sie 7, 6, 5, 4 oder 3 eingeben. Um mehr als eine Nummer einzugeben, können Sie 76, 765, 54, 543 usw. eingeben. Vermeiden Sie die Eingabe unlogischer Zahlen wie 74, 753 usw. Das Ergebnis wird nicht angezeigt.

5. Das Display zeigt die PN-Nummer des zu bearbeitenden Eingaben an. Bestätigen Sie mit **Yes**.
6. Die Anzeige zeigt **TYPE** an.
 - Bestätigen Sie mit **Yes**, wenn Sie ihn bearbeiten müssen. Drücken Sie dann kurz auf die Taste **No** um zwischen Wiegen (**WEIGH**), Prozent (**PERCENT**), Dynamisch (**DYNAMIC**) und Füllung (**FILL**). Wenn Sie den gewünschten Typ sehen, bestätigen Sie mit Ja.
 - Drücken Sie **No** wenn Sie ihn nicht bearbeiten müssen, und gehen Sie zum nächsten Element über.
7. Wiederholen Sie Schritt 6, um alle Eingaben zu bearbeiten, die Sie bearbeiten müssen.
8. Wenn Sie fertig sind, drücken Sie weiter auf **No** bis Sie **End** sehen. Bestätigen Sie mit **Yes**.
9. Auf dem Display erscheint **SAVE**. Bestätigen Sie mit **Yes**, um zu speichern.
10. Das Display zeigt **End** an. Drücken Sie die Exit-Taste zum Beenden.

Rückruf eines Eingabens

Zum Abrufen und Verwenden eines Eingaben im Wiege-, Zähl-, Prozent-, Dynamik- und Füllmodus:

Durch Eingabe:

- Eingabe der PN für den INFORMATIONGegenstand über die numerische Tastatur in diesen Waagemodi. Drücken Sie dann so lange auf die Taste **Lib**, bis Sie die Produktnummer auf der Anzeige sehen. Bestätigen Sie mit **Yes** zur Bestätigung.
- Die Suchfunktion unterstützt auch die Eingabe vom abgekürzten PN. Dazu können Sie mindestens eine Nummer der PN über die numerische Tastatur eingeben und dann die Taste **Lib** lang drücken. Die erste Produktnummer enthält die von Ihnen eingegebene Nummer wird angezeigt. Drücken Sie kurz auf die Taste **No**, um zwischen verschiedenen Produktnummern zu navigieren. Wenn Sie die gewünschte Nummer sehen, bestätigen Sie mit **Yes**.

Wenn Sie z.B. ein Element mit PN 76543 suchen wollen, können Sie 76, 765, 54, 543 usw. eingeben. Bitte vermeiden Sie die Eingabe von unlogischen Zahlen wie 74, 753 usw. Das Ergebnis wird nicht angezeigt.

Durch RFID oder Strichcoder

Wenn die über einen RFID- oder Strichcode eingegebene Produktnummer mit einer Produktnummer in der Bibliothek übereinstimmt, ruft das Terminal die Daten ab.



Wenn die Daten verwendet wird, zeigt ein Pfeil auf dem Bildschirm auf das INFORMATION-Symbol.

Nichtverwendung einer Eingabe

Bei Nichtverwendung einer Eingabe, wenn er sich im Wiege-, Zähl-, Prozent-, dynamischen oder Füllmodus befindet:

1. Wenn Sie in den obigen Modi wiegen, drücken Sie die Taste **Lib** lang. Auf dem Display erscheint die Produktnummer des verwendeten Eingabens.
2. Drücken Sie **CLR**, wenn die Produktnummer angezeigt wird. Auf dem Display wird **CLRL Ib** erscheinen. Bestätigen Sie mit Ja zum Löschen. Drücken Sie die Taste **No**, um zum aktiven Anwendungsmodus zurückzukehren.

4.12 BENUTZER (für i-DT61XWE Modell)

Rufen Sie dieses Menü **U.S.E.r.** auf, um Benutzer hinzuzufügen oder zu bearbeiten. Die maximale Benutzer-Anzahl beträgt 100. Der Datensatz enthält ID und NAME. Die Länge von ID und NAME beträgt etwa 32 Zeichen.

Einen Benutzer hinzufügen

Um einen neuen Benutzer hinzuzufügen:

1. Drücken Sie die **Menu**-Taste lang, bis Sie **CLRL** sehen. Drücken Sie mehrmals kurz **No**, bis Sie **U.S.E.r** sehen. Bestätigen Sie mit **Yes**.
2. Auf dem Display erscheint **NEWJ**. Bestätigen Sie mit **Yes**.
3. Auf dem Display erscheint ID. Bestätigen Sie mit Ja, und geben Sie dann die neue ID über die numerische Tastatur ein. Bestätigen Sie mit Ja, wenn Sie fertig sind.
4. Das Display zeigt **NAME** an. Bestätigen Sie mit **Yes**, und geben Sie dann den neuen Namen über die numerische Tastatur ein. Bestätigen Sie mit Ja, wenn Sie fertig sind.
5. Auf der Anzeige erscheint **Ed**. Bestätigen Sie mit Ja.
6. Das Display zeigt **SAVE** an. Bestätigen Sie mit **Yes**, um zu speichern, und die Anzeige wechselt zum nächsten Menü **Ed It**.

Einen Benutzer bearbeiten

Um einen Benutzer zu bearbeiten:

1. Drücken Sie die **Menu**-Taste lang, bis Sie **CLRL** sehen. Drücken Sie mehrmals kurz die **No**-Taste, bis Sie **U.S.E.r** sehen. Bestätigen Sie mit **Yes**.
2. Auf dem Display erscheint **NEWJ**. Drücken Sie kurz auf die Taste **No**, um **Ed It** zu wählen. Bestätigen Sie mit **Yes**.
3. Auf dem Display erscheint **SEARCH**. Bestätigen Sie mit **Yes**.
4. Geben Sie die Benutzer-ID über die numerische Tastatur ein. Bestätigen Sie mit Ja. Das Display zeigt die ID des Benutzers an. Bestätigen Sie mit **Yes**.

Alternativ können Sie auch eine Benutzer-ID suchen, indem Sie mindestens eine Nummer der ID über die numerische Tastatur eingeben und dann Sie mit **Yes** bestätigen. Die erste Benutzer-ID, die die von Ihnen eingeebene Nummer enthält, wird angezeigt. Drücken Sie kurz die **No**-Taste, um zwischen den verschiedenen IDs zu navigieren. Wenn Sie die gewünschte Nummer sehen, bestätigen Sie mit **Yes**.

Wenn Sie mehr als eine Nummer der ID eingeben, vergewissern Sie sich, dass diese konsequent sind.

Wenn Sie z.B. eine ID 76543 suchen möchten, können Sie, um nur eine Nummer einzugeben, 7, 6, 5, 4 oder 3 eingeben. Um mehr als eine Nummer einzugeben, können Sie 76, 765, 54, 543 usw. eingeben. Bitte vermeiden Sie die Eingabe inkonsistenter Zahlen, wie z.B. 74, 753 usw. Das Ergebnis wird nicht angezeigt.

5. Das Display zeigt **Id** an. Bestätigen Sie mit **Yes** und geben Sie dann die neue ID über die numerische Tastatur ein. Bestätigen Sie mit **Yes**, wenn Sie fertig sind.
6. Das Display zeigt **NAME** an. Bestätigen Sie mit **Yes**, und geben Sie dann den neuen Namen über die numerische Tastatur ein. Bestätigen Sie mit **Yes**, wenn Sie fertig sind.
7. Auf der Anzeige erscheint **Ed**. Bestätigen Sie mit **Yes**.
8. Das Display zeigt **SAVE** an. Bestätigen Sie mit **Yes** zum Speichern.
9. Das Display zeigt **Ed** an. Bestätigen Sie mit **Yes** und das Display zeigt **Ed** für das Menü- Speicher. Bestätigen Sie mit **Yes**, um das Menü zu verlassen.

Einen Benutzer zurückrufen


Zum Abrufen einer Benutzer, wenn sie sich im Waage-, Zähl-, Prozent-, dynamischen oder Füllmodus befindet:
Durch Eingabe:

- Eingabe der Benutzer-ID über die numerische Tastatur in diesen Waagemodi. Drücken Sie dann die **User** Taste so lange, bis Sie die ID auf der Anzeige sehen. Bestätigen Sie mit **Yes** zur Bestätigung.
- Die Suche unterstützt auch die Eingabe einer abgekürzten ID. Dazu können Sie mindestens eine Nummer der ID über die numerische Tastatur eingeben und dann die **User** Taste lang drücken. Die erste Produktnummer enthält die von Ihnen eingegebene Nummer wird angezeigt. Drücken Sie kurz auf die **No**-Taste, um zwischen verschiedenen IDs zu navigieren. Wenn Sie die von Ihnen gewünschte sehen, bestätigen Sie mit **Yes**.

Wenn Sie mehr als eine Nummer der ID eingeben, vergewissern Sie sich, dass sie sich daraus ergeben.
Wenn Sie zum Beispiel eine BENUTZER-ID 76543 suchen, können Sie 76, 765, 54, 543 usw. eingeben. Bitte vermeiden Sie die Eingabe unlogischer Zahlen, wie 74, 753 usw. Das Ergebnis wird nicht angezeigt.

Durch RFID oder Strichcoder

Wenn das über einen RFID- oder Strichcoder eingegebene Benutzer-ID mit einem Benutzer-ID in der Bibliothek übereinstimmt, ruft das Terminal den Benutzer zurück.

Wenn eine Benutzer-ID in Gebrauch ist, zeigt ein Pfeil auf dem Bildschirm auf das Benutzer-Symbol .
Wenn Sie später in der Druckvorlage Benutzer auswählen, wird die Benutzer-ID ausgedruckt.

Einen Benutzer nicht mehr verwenden

Den Benutzer nicht mehr verwenden, wenn sie sich im Wiege-, Prozent-, dynamischen oder Füllmodus befinden:

1. Wenn Sie in den oben genannten Modi wiegen, drücken Sie die **Benutzer**-Taste lang. Auf der Anzeige erscheint die aktuell verwendete Benutzer-ID.
2. Drücken Sie die **CLR**-Taste, wenn Sie die angezeigte ID sehen. Auf dem Display erscheint **CLR 1b**. Bestätigen Sie mit **Yes** zum Löschen. Drücken Sie die **No**-Taste, um zum aktiven Anwendungsmodus zurückzukehren.

4.13 USB (für i-DT61XWE Modell)

Dieses Menü wird angezeigt, wenn ein USB Flash-Laufwerk, RFID, Strichcode-Scanner, Tastatur oder ein Wi-Fi/Bluetooth-Stecker (optional) angeschlossen wird.

Menü	Untermenü	Untermenü (im Segment)	Optionen	Optionen (im Segment)
USB u.5.b	Zurücksetzen	rESEt	Nein, Ja	n0, yE5
	TYP	tYPE	Flash-Laufwerk /RFID /Strichcode-Scanner /Tastatur	d iSt, rF id, bARcod, tEybd
	Export-Menü [Flash-Laufwerk]	E.MENÜ	\	
	Import-Menü [Flash-Laufwerk]	I.MENÜ	\	
	Export-Daten [Flash-Laufwerk]	E.L Ib	\	
	Import-Daten [Flash-Laufwerk]	I.L Ib	\	
	Export-Benutzer [Flash-Laufwerk]	E.USEr	\	
	Import-Benutzer [Flash-Laufwerk]	I.USEr	\	
	Länge [Strichcode]	LENGtH	XXXXXXXX	
	Anfangsziffer [Strichcode]	S.d IG It	XX	
	Ende	End	\	/

4.13.1 USB-Flash-Laufwerk

Die Funktion des USB Flash-Laufwerk-Menüs wird im Folgenden definiert:

E.MENÜ	Menü-Einstellungen in ein USB-Flash-Laufwerk exportieren
I.MENÜ	Import von Menü-Einstellungen aus einem USB-Flash-Laufwerk
E.L Ib	Bibliotheken in ein USB-Flash-Laufwerk exportieren
I.L Ib	Importieren von Bibliotheken aus einem USB-Flash-Laufwerk
E.USEr	Benutzerprofile in ein USB-Flash-Laufwerk exportieren
I.USEr	Importieren von B Benutzerprofilen aus einem USB-Flash-Laufwerk

Hinweis: Die Menü-Einstellungen /Benutzer/Informationen können in ein Flash-Laufwerk exportiert werden. Dieses Flash-Laufwerk kann in ein anderes Terminal eingefügt werden, und die Menü-Einstellungen können in das Terminal importiert werden. Nachdem der Import abgeschlossen ist, startet das Terminal neu. Danach sind die Menükonfigurationen der beiden Terminals gleich.

4.13.2 RFID

Verwenden Sie ein RFID-Lesegerät, um PN (Produktnummer) / Benutzer-ID zu suchen, um die zugehörigen Eingaben oder Benutzer beim Wiegen abzurufen und zu verwenden.

Verwenden Sie ein RFID-Lesegerät zur Eingabe von Zahlen, wenn Sie sich im Eingabemodus befinden.

Da es viele Marken von RFID-Geräten auf dem Markt gibt, testete und bestätigte OHAUS, dass eines der folgenden Geräte von RFIDeas (www.RFIDeas.com) kompatibel ist: RDR-6081AKU-C06.

4.13.3 Strichcode

Verwenden Sie einen Strichcode-Scanner, um PN (Produktnummer) / Benutzer-ID zu suchen, um den zugehörigen Eingaben oder Benutzer beim Wiegen abzurufen und zu verwenden.

Verwenden Sie einen Strichcode-Scanner zur Eingabe von Zahlen, wenn Sie sich im Eingabemodus befinden.

LENGtH	Geben Sie die Länge der vom Strichcode-Scanner gelesenen Zeichenfolge an.
S.d IG It	Geben Sie die Anfangsziffer der vom Strichcode-Scanner gelesenen Zeichenfolge an. Der Strichcode-Scanner reagiert nur, wenn die Startziffer mit Ihrer Einstellung übereinstimmt.

Da es viele Marken von Strichcode-Scannern auf dem Markt gibt, hat OHAUS getestet und bestätigt, dass die folgenden Strichcode-Scanner von Datalogic® kompatibel sind:

QuickScan Serien

4.13.4 Tastatur

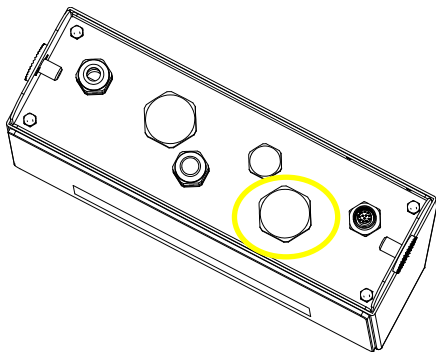
Verwenden Sie eine Tastatur zur Eingabe von Zahlen, wenn Sie sich im Eingabemodus befinden.

4.13.5 Wi-Fi/Bluetooth-Stecker (Optional)

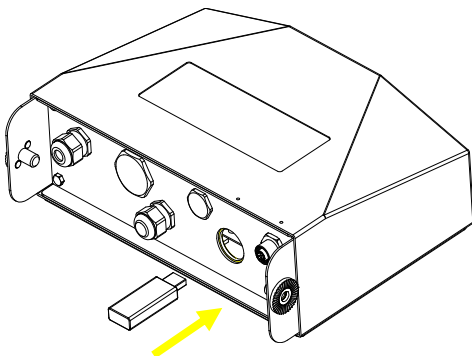
Ein Wi-Fi/Bluetooth-USB-Dongle kann das Terminal dabei unterstützen, über Wi-Fi oder Bluetooth übertragene Daten zu empfangen. Er ist eine Option und Sie können sich an einen autorisierten OHAUS-Händler wenden, um ihn zu erhalten.

4.13.5.1 Installieren eines Wi-Fi/Bluetooth-USB-Dongles

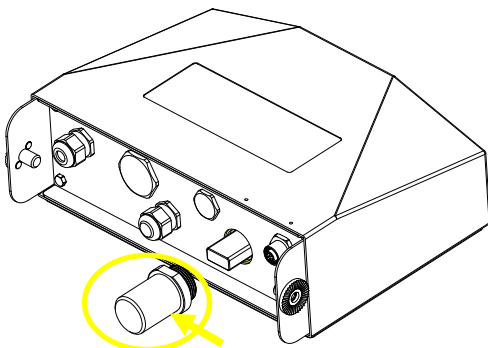
1 Entfernen Sie die Abdeckung M25, die sich unten an der Anzeige befindet.



2 Stecken Sie den Wi-Fi/Bluetooth-USB-Dongle durch das M25-Loch.



3 Schließen Sie die Abdeckung des USB-Dongles.



Wi-Fi/Bluetooth USB-Dongle-Abdeckung

Hinweis: Dieser Versicherungsschutz ist ebenfalls eine Option. Bitte wenden Sie sich an einen autorisierten OHAUS-Händler, um ihn zu erhalten.

4.13.5.2 Konfiguration

Nach dem Einstecken des Dongles wird der Indikator diesen erkennen und entsprechende Gegenstände zum Menü hinzufügen. Der Indikator zeigt die IP-Adresse an, und Sie müssen weitere Parameter über die OHAUS-Software ScaleMate einstellen. Um die Software zu erhalten, wenden Sie sich bitte an einen autorisierten OHAUS-Händler.

Hinweis: Für die Einstellung von Parametern in der ScaleMate-Software sehen Sie sich bitte das Anweisungsvideo der Software über einen autorisierten OHAUS-Händler an.

Drahtlose Verbundug einrichten

Menü	Untermenü	Untermenü (in Segment)	Optionen	Optionen (in Segment)
Wireless WIFI-BLUE	Zurücksetzen	RESET	Nein, ja	NO, YES
	Geben Sie ein.	TYPE	wifi, Bluetooth	WIFI, BLUETOOTH
	IP-Adresse[Wifi]	IP.Addr	XXXXXX-XXXX (169.254.1.1-6060)	/
	Gerätename[bt]	GeräteName	XXXXXX	/
	Pincode[bt]	Pin	XXXXXX	/
	Alt Pirnt CMD	Alt.P	A~Z, P	/
	Alt Tara CMD	Alt.T	A~Z, T	/
	Alt Null CMD	Alt.Z	A~Z, Z	/
	Ende	End	\	/

MAC-Adresse

Die Medium Access Control (MAC)-Adresse des Wi-Fi/Bluetooth ist nicht editierbar.

Anschluss

Der Standardwert des IP-Ports ist 6060.

DHCP

Wenn DHCP auf **ON** gesetzt ist, weist die IP-Freigabe oder der Router automatisch eine IP-Adresse zu. Wenn DHCP auf **OFF** gesetzt ist, müssen Benutzer die IP-Adresse, Subnetzmaske, Gateway, primären DNS und sekundären DNS einrichten. Wenn es keinen DHCP-Server im Netzwerk gibt, wird dieser zum DHCP-Server der Ethernet-Optionsplatte.

Hinweis: Nach der Einrichtung von IP-Adresse, Subnetzmaske, Gateway, primärem DNS und sekundärem DNS müssen Sie die Anzeige neu starten, um die Einstellung zu aktivieren.

IP-Adresse

Die IP lautet standardmäßig 192.168.1.2.

Subnetz-Maske

Die Subnetzmaske ist standardmäßig 255.255.255.0.

Gateway

Gateway ist standardmäßig 192.168.1.1.

Primäre DNS & Sekundäre DNS

Der DNS-Wert wird nicht benötigt, wenn das System mit einem LAN verbunden ist, und er wird vom ISP zugewiesen, wenn er mit dem Internet verbunden ist.

Alternative Eingabe

Alternativ kann für Drucken, Tarieren, Nullstellen die Eingabe 'a' ~ 'z' oder 'A' ~ 'Z' benutzt werden.

Hinweis: Das Untermenü wird nach der Installation des Dongle angezeigt.

Druck-Einstellungen

Für Wi-Fi- und Bluetooth-Druckeinrichtung lesen Sie bitte den Abschnitt Druck-Menü im Teil VERBINDUNG für Details zum Drucken von EINSTELLUNGEN.

Bluetooth-Einstellung

Um Ihr Gerät über Bluetooth mit dem Terminal zu koppeln, nehmen Sie Windows 10 als Beispiel:

1. Klicken Sie im **Start**-Menü auf **EINSTELLUNGEN**.
2. Wählen Sie **Geräte (Bluetooth, Drucker, Maus)** im Popup-Fenster **EINSTELLUNGEN** oder geben Sie Bluetooth in die Suchleiste des Fensters ein, um das Programm **Bluetooth & other devices** zu starten.
3. Klicken Sie auf **Add Bluetooth or other device**.
4. Wählen Sie **Bluetooth** im Popup-Fenster **Add a device**-Fenster.
5. Wählen Sie den Bluetooth-Namen Ihres zu koppelnden Terminals aus, und überprüfen Sie dann den damit angezeigten Pin-Code.
6. Geben Sie den Pincode über die numerische Tastatur auf Ihrem Terminal ein.
7. Wenn **Your device is ready to go** erscheint, bedeutet dies, dass die Verbindung erfolgreich ist.
8. Wenn Sie überprüfen müssen, welche COM (seriellen) Ports das Bluetooth Ihres Computers benutzt, folgen Sie bitte den folgenden Schritten:
 - a) Klicken Sie auf **Bluetooth & other devices** nicht auf **Add Bluetooth or other device**, sondern blättern Sie die Seite herunter und finden Sie **More Bluetooth options** unter **Related Settings**.
 - b) Klicken Sie auf **More Bluetooth options**.
 - c) Wählen Sie **COM Ports** in der oberen Leiste, und Sie sehen die verwendeten COM (seriellen) Anschlüsse angezeigt.

Hinweis: Wenn Sie ein anderes Gerät zum Abgleich mit dem Terminal verwenden, folgen Sie bitte der Bluetooth-Kopplungsmethode des jeweiligen Geräts.

5. RECHTLICHES FÜR DEN HANDEL

Wenn der Indikator im Handel oder in einer gesetzlich kontrollierten Anwendung verwendet wird, muss er in Übereinstimmung mit den örtlichen Vorschriften für Maße und Gewichte aufgestellt, verifiziert und versiegelt werden. Es liegt in der Verantwortung des Käufers, sicherzustellen, dass alle einschlägigen gesetzlichen Anforderungen erfüllt werden.

5.1 EINSTELLUNGEN

Führen Sie vor PRÜFUNG und DICHTUNG die folgenden Schritte durch:

1. Überprüfen Sie, ob die MENÜ-EINSTELLUNGEN den örtlichen Vorschriften für Gewichte und Maße entsprechen.
2. Führen Sie eine Kalibrierung durch, wie im Abschnitt **KALIBRIERUNGSMENÜ** erläutert.
3. Schalten Sie die Anzeige aus.

So schalten Sie den Sicherheitsschalter ein:

1. Trennen Sie den Indikator von der Stromversorgung und **Opening the Housing** wie im Abschnitt Öffnen des Gehäuses im Kapitel **Installation** beschrieben. (Entfernen Sie die Batterien für das Modell i-DT61PW).
2. Stellen Sie die Position des Sicherheitsschalters SW1 auf ON. (Sehen Sie im Abschnitt **Hauptplatte** nach, wo sich SW1 auf der Hauptplatte befindet).
3. Schließen Sie das Gehäuse.
4. Schließen Sie den Strom wieder an und schalten Sie die Anzeige ein. (Setzen Sie die Batterien für das Modell i-DT61PW wieder ein).

5.2 PRÜFUNG

Die lokale Meßbehörde oder der autorisierte Servicevertreter muss das Prüfverfahren durchführen.

5.3 DICHTUNG

Nachdem die Waage überprüft wurde, muss sie versiegelt werden, um den ungewollte Zugang durch Dritte zu verhindern. Siehe nachstehende Abbildungen für Dichtungsmethoden:

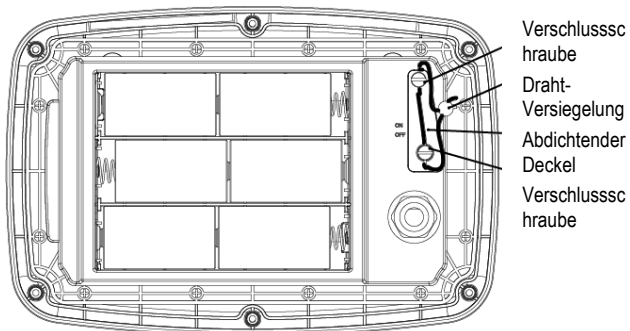


Abbildung 5-1. i-DT61PW Draht-Dichtung

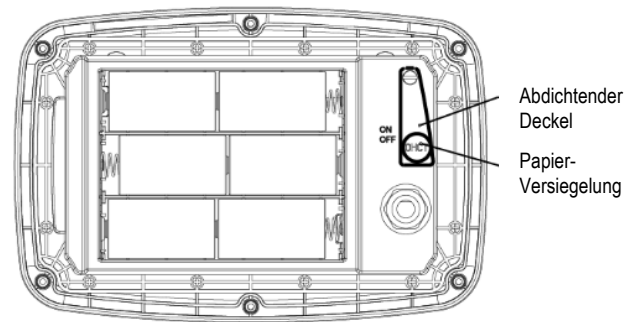


Abbildung 5-2. i-DT61PW Papier-Dichtung

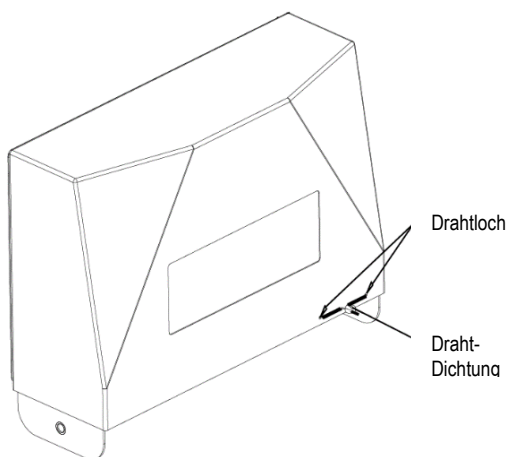


Abbildung 5-3. i-DT61PW Draht-Dichtung

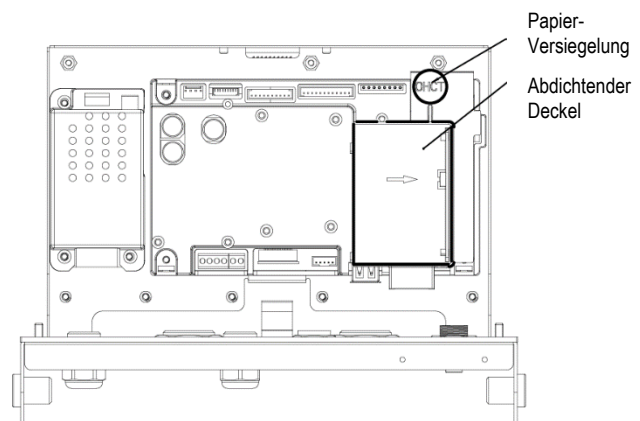


Abbildung 5-4. i-DT61XWE Papier-Dichtung

Wenn das Anzeigergerät i-DT61PW oder i-DT61XWE an einen Sockel der Serie OHAUS Defender 6000 mit dem EasyConnect™ Speicher-Modul am Wägezellenkabel angeschlossen wird, wird das Verbindungskabel durch Software-Paarung versiegelt, es ist keine Hardware-Dichtung des Kabels erforderlich. Sobald der Indikator oder der Sockel durch einen neuen ersetzt wird, erscheint eine Fehlermeldung (**Error 8.9**) im Anzeigefenster des Indikators.

Wenn der Anzeiger i-DT61PW oder i-DT61XWE an einen äußeren Sockel angeschlossen wird, der kein Speicher-Modul enthält, muss die Verbindung zwischen dem Anzeiger und dem Lastaufnehmer mit einer Anschlussabdeckung (P/N: 30538022), einem Dichtungsaufkleber oder einer Drahtplombe abgedichtet werden..

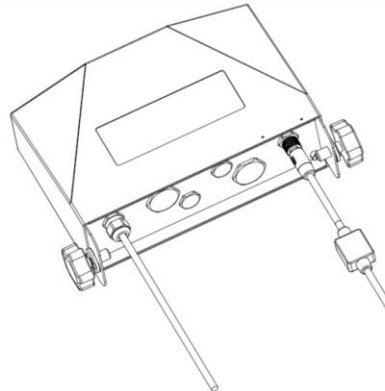


Abbildung 5-5. Anschlusskabel mit Stecker und Speicher-Modul

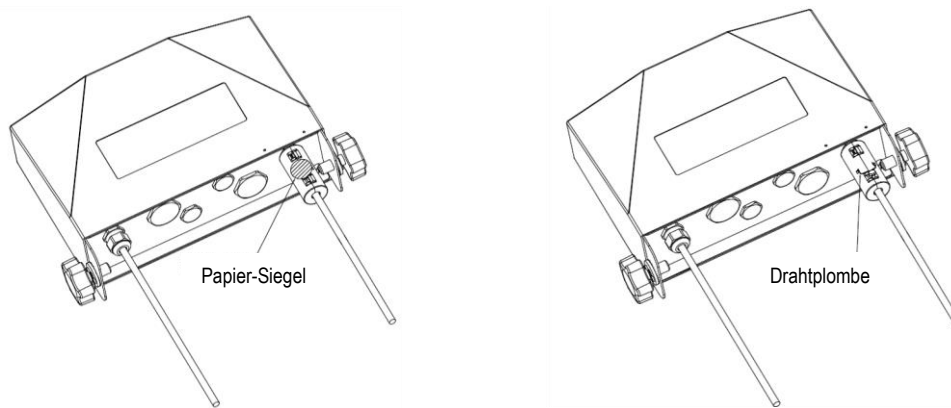


Abbildung 5-6. Anschlusskabel mit Stecker und ohne Speicher-Modul

6. WARTUNG

VORSICHT: TRENNEN SIE DAS GERÄT VOR DER WIEDERINBETRIEBNAHME VON DER STROMVERSORGUNG.

6.1 REINIGUNG



WARNHINWEIS: Stromschlaggefahr. Trennen Sie das Gerät vor der Reinigung von der Stromversorgung.

Stellen Sie sicher, dass keine Flüssigkeit in das Innere des Geräts eindringt..



ACHTUNG: Verwenden Sie keine Lösungsmittel, scharfen Chemikalien, Ammoniak oder scheuernde Reinigungsmittel.

Das Gehäuse kann bei Bedarf mit einem milden Reinigungsmittel angefeuchteten Tuch gereinigt werden.

6.1.1 REINIGUNG für i-DT61PW Modell

- Das Gehäuse kann bei Bedarf mit einem milden Reinigungsmittel angefeuchteten Tuch gereinigt werden.
- Verwenden Sie keine Lösungsmittel, Chemikalien, Alkohol, Ammoniak oder Scheuermittel zur Reinigung des Gehäuses oder der Schalttafel.

6.1.2 REINIGUNG für i-DT61XWE Modell

- Verwenden Sie zugelassene Reiniger für das Edelstahl-Anzeigegehäuse und spülen Sie mit Wasser nach. Gründlich trocknen.
- Verwenden Sie keine Lösungsmittel, Chemikalien, Alkohol, Ammoniak od. Scheuermittel zur Reinigung des Bedienfeldes.

6.2 FEHLERBEHEBUNG

TABELLE 6-1 FEHLERBEHEBUNG

KENNZEICHEN	VERMUTLICHE URSACHE (s)	FEHLERBEHEBUNG
EEP-Fehler	EEPROM-Prüfsummenfehler	Beschädigte EEPROM-Daten
Das Gerät lässt sich nicht einschalten.	Netzkabel nicht eingesteckt oder nicht richtig angeschlossen. Steckdose liefert keinen Strom. Batterie entladen (i-DT61PW). Anderer Fehler.	Überprüfen Sie die Netzkabelverbindungen. Stellen Sie sicher, dass das Netzkabel richtig in die Steckdose eingesteckt ist. Prüfen Sie die Stromquelle. Batterien austauschen (i-DT61PW). Service erforderlich.
Die Waage kann nicht auf Null gesetzt werden oder wird nicht auf Null gesetzt, wenn sie eingeschaltet wird.	Die Belastung der Waage überschreitet die zulässigen Grenzen. Die Last auf der Waage ist nicht stabil. Beschädigung der Wägezelle.	Last auf der Waage entfernen. Warten, bis die Last stabil wird. Wartung erforderlich.
Kann nicht kalibriert werden.	Sperre KALIBRIERUNGSMENÜ auf Ein gesetzt. LFT-Menü auf Ein gesetzt. Falscher Wert für Kalibriermasse.	Sperre KALIBRIERUNGSMENÜ auf Aus stellen. Siehe Abschnitt 3.12 Menüsperrung. Stellen Sie das Menü LFT auf Aus. Korrekte Kalibriermasse verwenden.
Gewicht kann nicht in der gewünschten Wiegeeinheit angezeigt werden.	Einheit nicht auf Ein eingestellt.	Einheit im Einheiten-Menü aktivieren. Weitere Informationen finden Sie im Abschnitt Menü-Einstellungen .
Menü-Einstellungen können nicht geändert werden.	Menü wurde gesperrt.	Setzen Sie das ausgewählte Menü im Menü Sperren auf Aus. Möglicherweise muss der Sperrschalter auf der Leiterplatte auf die Position Aus gestellt werden.
<i>Error 8.1</i>	Der Gewichtswert überschreitet den Grenzwert für Power On Zero.	Last von der Waage entfernen. Waage neu kalibrieren.
<i>Error 8.2</i>	Der Gewichtswert liegt unter dem Grenzwert für Power On Zero.	Last zur Waage hinzufügen. Waage neu kalibrieren.
<i>Error 8.3</i>	Gewichtsanzeige überschreitet die Überlastgrenze.	Last auf der Waage reduzieren.
<i>Error 8.4</i>	Gewichtsmesswert unter der Unterlastgrenze.	Last auf der Waage hinzufügen. Waage neu kalibrieren.
<i>Error 8.6</i>	Gewicht überschreitet sechs Stellen. Überlauf der Anzeige.	Last auf der Waage reduzieren.
<i>Error 8.8</i>	Werkskalibrierungsdaten im SPEICHER-Modul am Ende des Wägezellenkabels sind im Status LFT OFF nicht gültig.	Waage kalibrieren.
<i>Error 8.9</i>	Die Seriennummer des SPEICHER-Moduls kann nicht gelesen werden oder die Seriennummer stimmt nicht mit der des Indikators im Status LFT ON überein.	Brechen Sie das Siegel auf oder ersetzen Sie den ursprünglichen Sockel/Anzeiger.
<i>Error 9.5</i>	Kalibrierungsdaten nicht vorhanden.	Kalibrieren Sie die Waage.
Batterie-Symbol blinkt	Die Batterien sind entladen.	Ersetzen Sie die Batterien (i-DT61PW).
<i>ERR E</i>	Kalibrierwert außerhalb der zulässigen Grenzen	Verwenden Sie das richtige Kalibriergewicht.
<i>NO.5LW</i>	Versuch, das Menü mit der LFT-Einstellung ON und dem Sicherheitsschalter OFF zu verlassen.	Siehe Kapitel RECHTLICHES FÜR DEN HANDEL für Einzelheiten darüber, wie Sie den Sicherheitsschalter auf die Position ON stellen
<i>REF Lwt Err</i>	Referenzgewicht zu klein. Das Gewicht auf der Plattform ist zu klein, um ein gültiges Refere	Verwenden Sie ein größeres Gewicht für die Probe

6.3 SERVICE-INFORMATION

Wenn der Abschnitt FEHLERBEHEBUNG Ihr Problem nicht löst, wenden Sie sich an einen autorisierten OHAUS-Service-Agenten. Für Service-Hilfe in den Vereinigten Staaten rufen Sie die gebührenfreie Nummer 1-800-526-0659 zwischen 8:00 Uhr morgens und 17:00 Uhr abends östlicher Standardzeit an. Ein Produktservice-Spezialist von OHAUS wird Ihnen zur Verfügung stehen. Außerhalb der USA besuchen Sie bitte unsere Website www.ohaus.com, um das OHAUS-Büro in Ihrer Nähe zu finden.

7. TECHNISCHE DATEN

7.1 BESONDERHEITEN

Materialien

I-DT61XWE Gehäuse: Edelstahl 316

I-DT61PW Gehäuse: Polycarbonat (PC)

Schaufenster: Polycarbonat (PC)

Tastatur: Polycarbonat (PC)

Gerät-Merkmale:

Nur Innenanwendung

Höhe: 2000mm

Betriebstemperatur: -10°C bis 40°C

Luftfeuchtigkeit: maximale relative Feuchte 80% für Temperaturen bis 31 °C, linear abnehmend auf 50% relative Feuchte bei 40°C.

Elektrische Versorgung: 100 - 240V~, 0,5A, 50/60Hz (i-DT61XWE); 6 x D alkalische Batterie (i-DT61PW).

Spannungsschwankungen: Netzversorgungsspannungsschwankungen bis zu ±10% der Nennspannung.

Überspannungskategorie II

(Installationskategorie):

Verschmutzungsgrad: 2

Modell	i-DT61PW
Konstruktion	Gehäuse aus Polykarbonat-Kunststoff, Halterung aus Edelstahl 304
Schutz	IP68/IP69k
Maximale angezeigte Auflösung	1:75,000
Maximal genehmigte Auflösung	1:10.000 (EC, OIML & NTEP) Klasse III
Waageeinheiten	Kilogramm, Gramm, Pfund, Unze, Pfund: Unze, Tonne (metrische Tonne)
Modi	Grundwägung, Prozentwägung, Stückzählung mit optimierter DURCHSCHNITTSGEWICHT, Kontrollwägung/Zählung, Dynamisches Wägen
anzeigen	6-stellige 7-Segment-LCD-Anzeige mit weißer Hintergrundbeleuchtung, 45 mm hohe Ziffern
Check-Indikator	3 LED-Farben (rot, grün, gelb)
Tastatur	6 mechanische Funktionstasten
Auto-Zero-Verfolgung	Aus, 0,5 d, 1 d oder 3 d
Wägezellen-Speisespannung	3,3VDC
Wägezellenantrieb	Bis zu 4 x 350 Ohm Wägezellen
Eingangsempfindlichkeit der Wägezelle	Bis zu 3 mV/V
Macht	6 x D alkalische Batterie
Batterie Lebensdauer	1500 Stunden Dauerbetrieb bei ausgeschalteter Hintergrundbeleuchtung
Schnittstelle	Infrarot-USB-VERBINDUNG-Anschluss
Versand-Abmessungen	300 x 265 x 135 mm
Produktabmessungen (mit Halterung)	11,8 x 10,4 x 5,3 in
Ungefähres Nettogewicht	10,4 x 8,9 x 3,3 Zoll / 265 x 225 x 85 mm
Ungefähres Versandgewicht	2,7 kg / 6,0 lb
Betriebstemperaturbereich	3,8 kg / 8,4 lb
Betriebstemperaturbereich	14°F bis 104°F / -10°C bis 40°C

Modell	i-DT61XWE
Konstruktion	Gehäuse aus Edelstahl 316, Halterung aus Edelstahl 316
Schutz	IP68/IP69k
Maximale angezeigte Auflösung	1:75,000
Maximal genehmigte Auflösung	1:10.000 (EC, OIML & NTEP) Klasse III
Wiegeeinheiten	Kilogramm, Gramm, Pfund, Unze, Pfund: Unze
Modi	Basiswägung, Prozentwägung, Kontrollwägung/Prozent, Dynamische Wägung, Füllwägung, Zählen
Anzeigen	6-stellige, weiße 7-Segment-LED, 20 mm hohe Ziffern
Prüfen-Indikator	3 Farben (rot, grün, orange) 8x16-Punkt-Matrix
Tastatur	6 Funktionstasten + 12 alphanumerische kapazitive Tastatur
Auto-Zero-Verfolgung	Aus, 0,5 d, 1 d oder 3 d
Wiegezellen-Speisespannung	5VDC
Wiegezellenantrieb	Bis zu 4 x 350 Ohm Wägezellen
Eingangsempfindlichkeit der Wiegezele	Bis zu 3 mV/V
Stabilisierungszeit	Innerhalb von 2 Sekunden
Strom	100-240 VAC / 50/60 Hz Universal-Netzteil, fest verdrahtet
Schnittstelle	Standard RS232, USB-Host Optionales Ethernet, Wi-Fi/Bluetooth, 2. RS232/RS485/USB, Analoger Ausgang, 2 Eingänge/4 Ausgänge Digitaler E/A
Versand-Abmessungen	300 x 265 x 135 mm 11,8 x 10,4 x 5,3 Zoll
Produktabmessungen (mit Halterung)	11,4 x 9,3 x 3,1 Zoll / 290 x 235 x 80 mm
Ungefähres Nettogewicht	3,2 kg / 7,0 Pfund
Ungefähres Versandgewicht	3,5 kg / 7,7 Pfund
Betriebstemperaturbereich	14°F bis 104°F / -10°C bis 40°C





7.2 TABELLE DER GEO-WERTE

TABELLE 6-1 GEO-CODES

Latitude		Elevation in meters										
		0	325	650	975	1300	1625	1950	2275	2600	2925	3250
		325	650	975	1300	1625	1950	2275	2600	2925	3250	3575
		Elevation in feet										
		0	1060	2130	3200	4260	5330	6400	7460	8530	9600	10660
		1060	2130	3200	4260	5330	6400	7460	8530	9600	10660	11730
		GEO value										
0°00'	5°46'	5	4	4	3	3	2	2	1	1	0	0
5°46'	9°52'	5	5	4	4	3	3	2	2	1	1	0
9°52'	12°44'	6	5	5	4	4	3	3	2	2	1	1
12°44'	15°06'	6	6	5	5	4	4	3	3	2	2	1
15°06'	17°10'	7	6	6	5	5	4	4	3	3	2	2
17°10'	19°02'	7	7	6	6	5	5	4	4	3	3	2
19°02'	20°45'	8	7	7	6	6	5	5	4	4	3	3
20°45'	22°22'	8	8	7	7	6	6	5	5	4	4	3
22°22'	23°54'	9	8	8	7	7	6	6	5	5	4	4
23°54'	25°21'	9	9	8	8	7	7	6	6	5	5	4
25°21'	26°45'	10	9	9	8	8	7	7	6	6	5	5
26°45'	28°06'	10	10	9	9	8	8	7	7	6	6	5
28°06'	29°25'	11	10	10	9	9	8	8	7	7	6	6
29°25'	30°41'	11	11	10	10	9	9	8	8	7	7	6
30°41'	31°56'	12	11	11	10	10	9	9	8	8	7	7
31°56'	33°09'	12	12	11	11	10	10	9	9	8	8	7
33°09'	34°21'	13	12	12	11	11	10	10	9	9	8	8
34°21'	35°31'	13	13	12	12	11	11	10	10	9	9	8
35°31'	36°41'	14	13	13	12	12	11	11	10	10	9	9
36°41'	37°50'	14	14	13	13	12	12	11	11	10	10	9
37°50'	38°58'	15	14	14	13	13	12	12	11	11	10	10
38°58'	40°05'	15	15	14	14	13	13	12	12	11	11	10
40°05'	41°12'	16	15	15	14	14	13	13	12	12	11	11
41°12'	42°19'	16	16	15	15	14	14	13	13	12	12	11
42°19'	43°26'	17	16	16	15	15	14	14	13	13	12	12
43°26'	44°32'	17	17	16	16	15	15	14	14	13	13	12
44°32'	45°38'	18	17	17	16	16	15	15	14	14	13	13
45°38'	46°45'	18	18	17	17	16	16	15	15	14	14	13
46°45'	47°51'	19	18	18	17	17	16	16	15	15	14	14
47°51'	48°58'	19	19	18	18	17	17	16	16	15	15	14
48°58'	50°06'	20	19	19	18	18	17	17	16	16	15	15
50°06'	51°13'	20	20	19	19	18	18	17	17	16	16	15
51°13'	52°22'	21	20	20	19	19	18	18	17	17	16	16
52°22'	53°31'	21	21	20	20	19	19	18	18	17	17	16
53°31'	54°41'	22	21	21	20	20	19	19	18	18	17	17
54°41'	55°52'	22	22	21	21	20	20	19	19	18	18	17
55°52'	57°04'	23	22	22	21	21	20	20	19	19	18	18
57°04'	58°17'	23	23	22	22	21	21	20	20	19	19	18
58°17'	59°32'	24	23	23	22	22	21	21	20	20	19	19
59°32'	60°49'	24	24	23	23	22	22	21	21	20	20	19
60°49'	62°00'	25	24	24	23	23	22	22	21	21	20	20
62°00'	63°30'	25	25	24	24	23	23	22	22	21	21	20
63°30'	64°55'	26	25	25	24	24	23	23	22	22	21	21
64°55'	66°24'	26	26	25	25	24	24	23	23	22	22	21
66°24'	67°57'	27	26	26	25	25	24	24	23	23	22	22
67°57'	69°35'	27	27	26	26	25	25	24	24	23	23	22
69°35'	71°21'	28	27	27	26	26	25	25	24	24	23	23
71°21'	73°16'	28	28	27	27	26	26	25	25	24	24	23
73°16'	75°24'	29	28	28	27	27	26	26	25	25	24	24
75°24'	77°52'	29	29	28	28	27	27	26	26	25	25	24
77°52'	80°56'	30	29	29	28	28	27	27	26	26	25	25
80°56'	85°45'	30	30	29	29	28	28	27	27	26	26	25
85°45'	90°00'	31	30	30	29	29	28	28	27	27	26	26

8. ÜBEREINSTIMMUNG

Die Übereinstimmung mit den folgenden Normen wird durch die entsprechende Kennzeichnung auf dem Produkt angezeigt.

Kennzeichnung	Norm
	Dieses Produkt entspricht den geltenden harmonisierten Normen der EU-Richtlinien 2011/65/EU (RoHS), 2014/30/EU (EMC), 2014/35/EU (LVD) und 2014/31/EU (NAWI). Die EU-Vertrauenserklärung ist online verfügbar unter www.ohaus.com/ce .
	Dieses Produkt entspricht der EU-Richtlinie 2012/19/EU (WEEE) und 2006/66/EG (Batterien). Bitte entsorgen Sie dieses Produkt in Übereinstimmung mit den örtlichen Bestimmungen an der für elektrische und elektronische Geräte angegebenen Sammelstelle. Entsorgungshinweise für Europa finden Sie unter www.ohaus.com/weee .
	EN 61326-1
	UL Std. Nr. 61010-1 CAN/CSA-C22.2 No. 61010-1

ISED Kanada - Standards:

Dieses digitale Gerät der Klasse A entspricht dem kanadischen ICES-003-Standard.

ISO 9001 Registrierung

Das Managementsystem für die Herstellung dieses Produkts ist nach ISO 9001 zertifiziert.

9. ANHÄNGE

9.1 ANHANG A

MT-Standard kontinuierliches Ausgang

Ein Prüfsummenzeichen kann bei kontinuierlicher Ausgabe aktiviert oder deaktiviert werden. Die Daten bestehen aus 17 oder 18 Bytes, wie in der kontinuierlichen Standardausgabe gezeigt.

Nicht-signifikante Gewichtsdaten und Taradatenziffern werden als Leerzeichen übertragen. Der kontinuierliche Ausgabemodus bietet Kompatibilität mit OHAUS-Produkten, die Gewichtsdaten in Echtzeit benötigen und dem kontinuierlichen Standard-Ausgang.

Tabelle 9 1 zeigt das Format für die kontinuierliche Standardausgabe.
Tabelle 9-1.

Nicht-signifikante Gewichtsdaten und Taradatenziffern werden als Leerzeichen übertragen. Der kontinuierliche Ausgabemodus bietet Kompatibilität mit OHAUS-Produkten, die Gewichtsdaten in Echtzeit benötigen und dem kontinuierlichen Standard-Ausgang.

Tabelle 9 1 zeigt das Format für die kontinuierliche Standardausgabe.

Tabelle 9-1: Standard Kontinuierliches Ausgang-Format

	Status ²				Angezeigtes Gewicht						Taragewicht ⁴							
Zeichen	1	2	3	4	5	6	7	8	9	10	11	12	13	14	15	16	17	18
Daten	STX ¹	SB-A	SB-B	SB-C	MSD	-	-	-	-	LSD	MSD	-	-	-	-	LSD	CR ⁵	CHK ⁶

Hinweis zum kontinuierlichen Ausgang-Format:

1. ASCII-Textanfängszeichen (02 hex), wird immer übertragen.
2. Statusbytes A, B und C. Einzelheiten zur Struktur finden Sie in Tabelle 5-2, Tabelle 5-3 und Tabelle 5-4.
3. Angezeigtes Gewicht. Entweder Brutto- oder Nettogewicht. Sechs Stellen, kein Dezimalpunkt oder Vorzeichen. Unwesentliche führende Nullen werden durch Leerzeichen ersetzt.
4. Taragewicht. Sechs Stellen der Taragewichtsdaten. Kein Dezimalpunkt im Feld.
5. ASCII-Wagenrücklauf <CR> Zeichen (0D hex).
6. Prüfsumme, nur übertragen, wenn im Setup aktiviert. Die Prüfsumme wird verwendet, um Fehler bei der Übertragung von Daten zu erkennen. Prüfsumme ist definiert als das 2er-Komplement der sieben niederwertigen Bits der binären Summe aller Zeichen vor dem Prüfsummenzeichen, einschließlich der Zeichen <STX> und <CR>.s.

Tabelle 9-2, Tabelle 9-3, und Tabelle 9-4 Angabe der Status-Bytes für standardmäßiges kontinuierliches Ausgang.

Tabelle 9-2: Status Byte A Bit Definitionen

Bits 2, 1, and 0			
2	1	0	Dezimalpunkt-Position
0	0	0	XXXXX00
0	0	1	XXXXX0
0	1	0	XXXXXX
0	1	1	XXXXX.X
1	0	0	XXXX.XX
1	0	1	XXX.XXX
1	1	0	XX.XXXX
1	1	1	X.XXXXX
Bits 4 und 3			
4	3		Code bauen
0	1		X1
1	0		X2
1	1		X5
Bit 5	Immer= 1		
Bit 6	Immer = 0		

Tabelle 9-3: Status Byte B Bit Definitionen

Status Bits	Funktion
Bit 0	Brutto = 0, Netto = 1
Bit 1	Vorzeichen, Positiv = 0, Negativ = 1
Bit 2	Außerhalb des Bereichs = 1 (Überkapazität oder unter Null)
Bit 3	Bewegung = 1, Stabil = 0
Bit 4	lb = 0, kg = 1 (siehe auch Status-Byte C, Bits 0, 1, 2)
Bit 5	Immer = 1
Bit 6	Null nach dem Einschalten nicht erfasst = 1

Tabelle 9-4: Status Byte C Bit Definitionen

Bits 2, 1, und 0			Gewichtsdefinition
2	1	0	
0	0	0	lb oder kg, ausgewählt durch Status Byte B, Bit 4
0	0	1	Gramm (g)
0	1	0	metrische Tonnen (t)
0	1	1	Unzen (oz)
1	0	0	nicht benutzt
1	0	1	nicht benutzt
1	1	1	Tonnen (Tonne)
1	1	1	keine Einheiten
Bit 3			Druckauftrag = 1
Bit 4			Daten erweitern x 10 = 1, Normal = 0
Bit 5			Immer = 1
Bit 6			Immer = 0

9.2 ANHANG B

MT-SICS-Eingaben

	Eingabe	Funktion
LEVEL 0	@	Zurücksetzen der Waage
	I0	Abfrage aller verfügbaren SICS-Befehle
	I1	Abfrage von SICS LEVEL und SICS-Versionen
	I2	Abfrage von Waagedaten
	I3	Anfrage nach der Version der Waage-Software
	I4	Abfrage der Seriennummer
	S	Stabilen Waagewert senden
	SI	Waagewert sofort senden
	SIR	Waagewert wiederholt senden
	Z	Waage auf Null setzen
	ZI	Sofortige Null-Einstellung
	LEVEL 1	D
DW		Gewichtsanzeige
SR		Stabilen Waagewert senden und wiederholen
T		Tara
TA		Tarawert
TAC		Tara löschen
TI		Sofort tarieren

	Eingabe	Funktion
LEVEL 2	C2	Kalibrieren mit dem externen Justiergewicht
	C3	Kalibrieren mit dem internen Justiergewicht
	I10	Waage-ID abfragen oder einstellen
	I11	Waagetyp anfragen
	P100	Auf dem Drucker ausdrucken
	P101	Stabilen Waagewert ausdrucken
	P102	Aktuellen Waagewert sofort ausdrucken
	SIRU	Waagewert in der aktuellen Einheit sofort senden und wiederholen
	SIU	Waagewert in der aktuellen Einheit sofort senden
	SNR	Stabilen Gewichtswert senden und nach jeder Gewichtsänderung wiederholen
	SNRU	Stabilen Gewichtswert in der aktuellen Einheit senden und nach jeder Gewichtsänderung wiederholen
	SRU	Waagewert in der aktuellen Einheit senden und wiederholen
	ST	Nach dem Drücken der Übernahmetaste senden Sie den stabilen Waagewert
	SU	Stabilen Waagewert in der aktuellen Einheit senden
	LEVEL 3	M01
M02		Stabilitätseinstellung
M03		Autozero-Funktion
M19		Kalibriergewicht senden
M21		Gewichtseinheit anfragen/einstellen
PRN		Ausdruck an jeder Druckerschnittstelle
RST		Neu starten
SFIR		Waagewert sofort senden und schnell wiederholen
SIH		Waagewert sofort in hoher Auflösung senden
SWU		Gewichtseinheit des Schalters
SX		Stabilen Datensatz senden
SXI		Datensatz sofort senden
SXIR		Datensatz sofort senden und wiederholen
U		Gewichtseinheit des Schalters

Indice

1.	INTRODUZIONE	3
1.1.	PRECAUZIONI DI SICUREZZA	3
1.2.	USO PREVISTO	3
1.3.	PANORAMICA DELLE PARTI E DEI CONTROLLI	4
1.4.	SCHEDA MADRE	5
1.5.	FUNZIONI DI CONTROLLO	6
2.	INSTALLAZIONE	9
2.1	DISIMBALLAGGIO	9
2.2	COLLEGAMENTI ESTERNI	9
2.2.1	Base della bilancia con connettore EasyConnect™	9
2.2.2	Ingresso alimentazione al i-DT61PW	9
2.2.3	Alimentazione CA al i-DT61XWE	9
2.3	COLLEGAMENTI INTERNI	9
2.3.1	Apertura della custodia	9
2.3.2	Base della bilancia senza connettore Easy Connect™	11
2.3.3	Cavo di interfaccia di comunicazione verso i-DT61PW	14
2.3.4	Cavo di interfaccia RS232 verso l'i-DT61XWE	15
2.4	STAFFA DI MONTAGGIO	15
3.	FUNZIONAMENTO	16
3.1	ACCENSIONE/SPEGNIMENTO DELLA BILANCIA	16
3.2	MODALITÀ DI PESATURA	16
3.2.1	Ingresso nella modalità e inizio della pesatura	16
3.2.2	Accumulo e statistiche	16
3.2.3	Controllo (Check)	17
3.2.4	Impostazioni dell'applicazione	18
3.3	MODALITÀ DI CONTEGGIO	19
3.3.1	Ingresso nella modalità	19
3.3.2	Stabilire un APW	19
3.3.3	Inizio del conteggio	19
3.3.4	Impostazioni dell'applicazione	19
3.4	MODALITÀ PERCENTUALE	20
3.4.1	Ingresso nella modalità	20
3.4.2	Stabilire un peso di riferimento	20
3.4.3	Inizio della pesatura percentuale	20
3.4.4	Impostazioni dell'applicazione	20
3.5	MODALITÀ DINAMICA	21
3.5.1	Ingresso nella modalità	21
3.5.2	Avvio della pesatura dinamica	21
3.5.3	Impostazioni dell'applicazione	22
3.6	MODALITÀ RIEMPIMENTO	23
3.6.1	Ingresso nella modalità	23
3.6.2	Inizio del riempimento	23
3.6.3	Ripresa e messa in pausa del riempimento	23
3.6.4	Visualizzazione della Schermata con matrice a punti	23
3.6.5	Impostazioni dell'applicazione	24
4.	IMPOSTAZIONI MENU	25
4.1	NAVIGAZIONE DEL MENU	25
4.1.1	Menu utente	25
4.1.2	Tasto di navigazione	26
4.2	MENU DI CALIBRAZIONE	27
4.2.1	Calibrazione iniziale	27
4.2.2	Calibrazione dello zero [2E-0]	27
4.2.3	Calibrazione dell'intervallo [5P97]	27
4.2.4	Calibrazione della linearità [L #7]	28
4.2.5	Regolazione GEO [6E0]	28
4.2.6	Test di calibrazione [L.4E54]	29

4.2.7	<i>End Cal [Fine]</i>	29
4.3	MENU DI IMPOSTAZIONE	30
4.4	MENU LETTURA SCHERMO	34
4.5	MENU UNITÀ	36
4.6	MENU GLP/GMP	36
4.7	COMUNICAZIONE	37
4.7.1	<i>Menu RS232</i>	37
4.7.2	<i>Menu stampa</i>	39
4.7.3	<i>Configurazione RS485</i>	42
4.7.4	<i>Configurazione Ethernet</i>	42
4.7.5	<i>Configurazione analogica</i>	42
4.8	MEMORIA	42
4.8.1	<i>Menu della memoria (per il modello i-DT61PW)</i>	42
4.8.2	<i>Memoria USB (per il modello i-DT61XWE)</i>	42
4.8.3	<i>Memory Alibi (per il modello i-DT61XWE)</i>	43
4.9	I.O DISCRETE (PER IL MODELLO I-DT61XWE)	48
4.9.1	<i>Tipo di I/O</i>	48
4.9.2	<i>Ingresso</i>	49
4.9.3	<i>Uscita</i>	49
4.10	CONFIGURAZIONE DEI TASTI DI BLOCCO	49
4.11	BIBLIOTECA (PER IL MODELLO I-DT61XWE)	50
4.12	UTENTE (PER IL MODELLO I-DT61XWE)	52
4.13	USB (PER IL MODELLO I-DT61XWE)	54
4.13.1	<i>Chiavetta USB</i>	54
4.13.2	<i>RFID</i>	54
4.13.3	<i>Codice a barre</i>	54
4.13.4	<i>Tastiera</i>	55
4.13.5	<i>Dongle Wi-Fi/Bluetooth (opzionale)</i>	55
5.	LEGAL FOR TRADE	58
5.1	IMPOSTAZIONI	58
5.2	VERIFICA	58
5.3	SIGILLATURA	58
6.	MANUTENZIONE	60
6.1	PULIZIA	60
6.1.1	<i>Pulizia per il modello i-DT61PW</i>	60
6.1.2	<i>Pulizia per il modello i-DT61XWE</i>	60
6.2	RISOLUZIONE DEI PROBLEMI	61
6.3	INFORMAZIONI SUL SERVIZIO ASSISTENZA	62
7.	DATI TECNICI	62
7.1	SPECIFICHE	62
7.2	TABELLA DEI VALORI GEOGRAFICI	65
8.	CONFORMITÀ	66
9.	APPENDICE	67
9.1	APPENDICE A	67
9.2	APPENDICE B	69

1. INTRODUZIONE

Questo manuale contiene le istruzioni per l'installazione, il funzionamento e la manutenzione degli indicatori i-DT61PW e i-DT61XWE. Si prega di leggerlo completamente prima dell'installazione e del funzionamento.

1.1. Precauzioni di sicurezza

Definizione dei segnali di avvertimento e dei simboli

Le note di sicurezza sono contrassegnate con parole segnaletiche e simboli di avvertimento. Insieme mostrano problemi relativi alla sicurezza e avvertimenti. L'inosservanza delle note di sicurezza può causare lesioni personali, danni allo strumento, malfunzionamenti e falsi risultati.

AVVERTIMENTO Per una situazione di pericolo con un rischio medio che, se non evitata, può portare a gravi lesioni o alla morte.

CAUTELA Per una situazione di pericolo a basso rischio che, se non evitata, può causare danni al dispositivo o alle cose, perdita di dati, oppure provocare lesioni di lieve-media entità.

ATTENZIONE Per informazioni importanti sul prodotto. Se non evitata, si possono avere danni all'apparecchiatura.

NOTA Per informazioni utili sul prodotto.

Simboli di avvertimento



Pericolo generale



Pericolo di esplosione



Pericolo di scosse elettriche

Precauzioni di sicurezza



CAUTELA: prima di installare, effettuare i collegamenti o eseguire la manutenzione di questa apparecchiatura, leggere attentamente gli avvertimenti relativi alla sicurezza. Il mancato rispetto di questi avvertimenti potrebbe causare lesioni personali e/o danni alle cose. Conservare tutte le istruzioni per riferimenti futuri.

- Prima di collegare l'alimentazione, verificare che il campo di tensione in ingresso dell'adattatore CA e il tipo di spina siano compatibili con l'alimentazione di rete locale.
- Non posizionare l'apparecchiatura in modo tale che sia difficile raggiungere la connessione di alimentazione.
- Collegare il cavo di alimentazione solo ad una presa elettrica con messa a terra e compatibile.
- Assicurarci che il cavo di alimentazione non costituisca un potenziale ostacolo o un pericolo di inciampo.
- Far funzionare l'apparecchiatura solo nelle condizioni ambientali specificate in queste istruzioni.
- L'apparecchiatura è solo per uso interno.
- Non utilizzare l'apparecchiatura in ambienti pericolosi o instabili.
- Non posizionare l'apparecchiatura a testa in giù sulla piattaforma.
- Utilizzare solo accessori e periferiche approvate.
- Durante la pulizia, scollegare l'apparecchiatura dall'alimentazione elettrica.
- L'assistenza deve essere eseguita solo da personale autorizzato.



AVVERTIMENTO: Non lavorare mai in un ambiente a rischio di esplosione! La custodia dello strumento non è a tenuta di gas. (Pericolo di esplosione dovuto alla formazione di scintille, corrosione causata dall'ingresso di gas).



AVVERTIMENTO: All'interno della custodia sussiste il pericolo di scosse elettriche. La custodia deve essere aperta solo da personale autorizzato e qualificato. Prima di aprirla, rimuovere tutti i collegamenti di alimentazione all'unità.

1.2. Uso previsto

Questo strumento è destinato all'uso nell'industria leggera. Deve essere utilizzato solo per la misurazione dei parametri descritti in queste istruzioni d'uso. Qualsiasi altro tipo di utilizzo e funzionamento oltre i limiti delle specifiche tecniche, senza il consenso scritto di OHAUS, è considerato come non previsto. Questo strumento è conforme agli attuali standard industriali e alle norme di sicurezza riconosciute; tuttavia, il suo utilizzo può costituire un pericolo. Se lo strumento non viene utilizzato secondo le presenti istruzioni per l'uso, la garanzia prevista per lo strumento potrebbe essere compromessa.

1.3. Panoramica delle parti e dei controlli

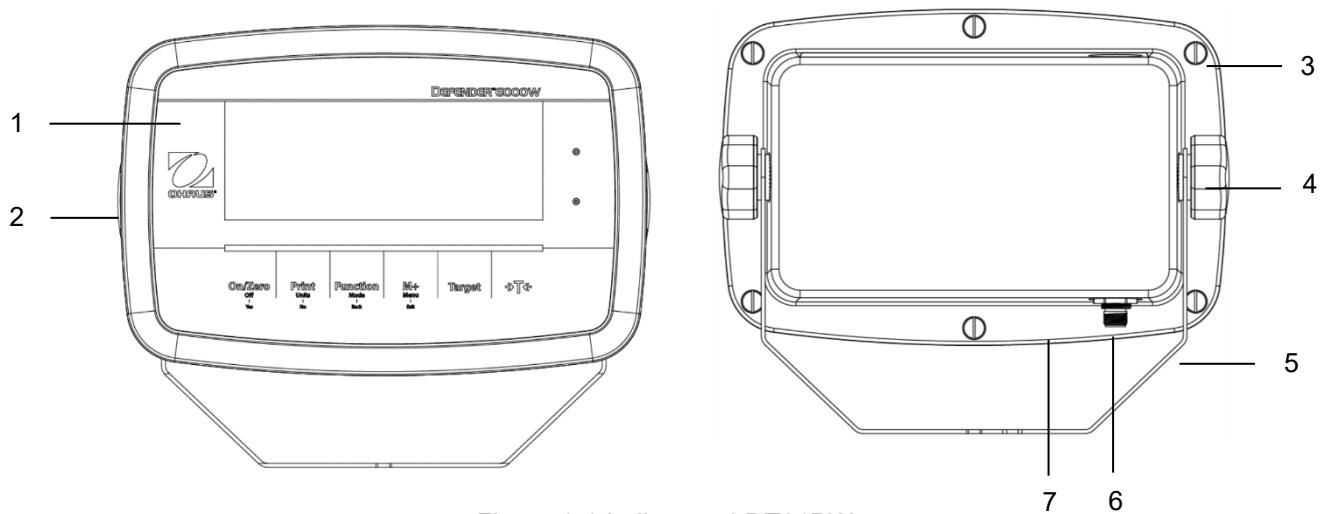


Figura 1-1 Indicatore i-DT61PW

Voce	Descrizione
1	Pannello di controllo
2	Custodia anteriore
3	Viti (6)
4	Manopole di regolazione (2)
5	Staffa di montaggio
6	Connettore per celle di carico
7	Custodia posteriore

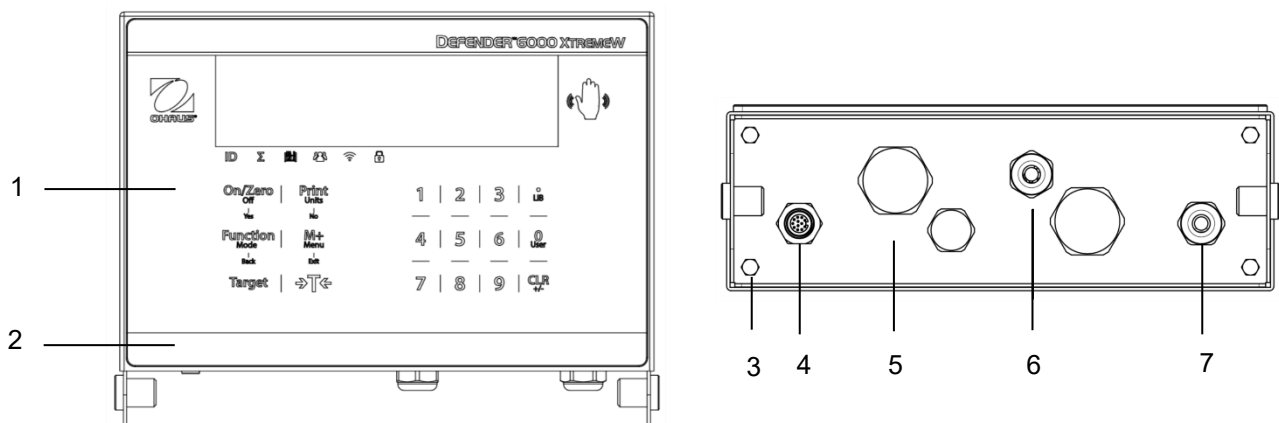
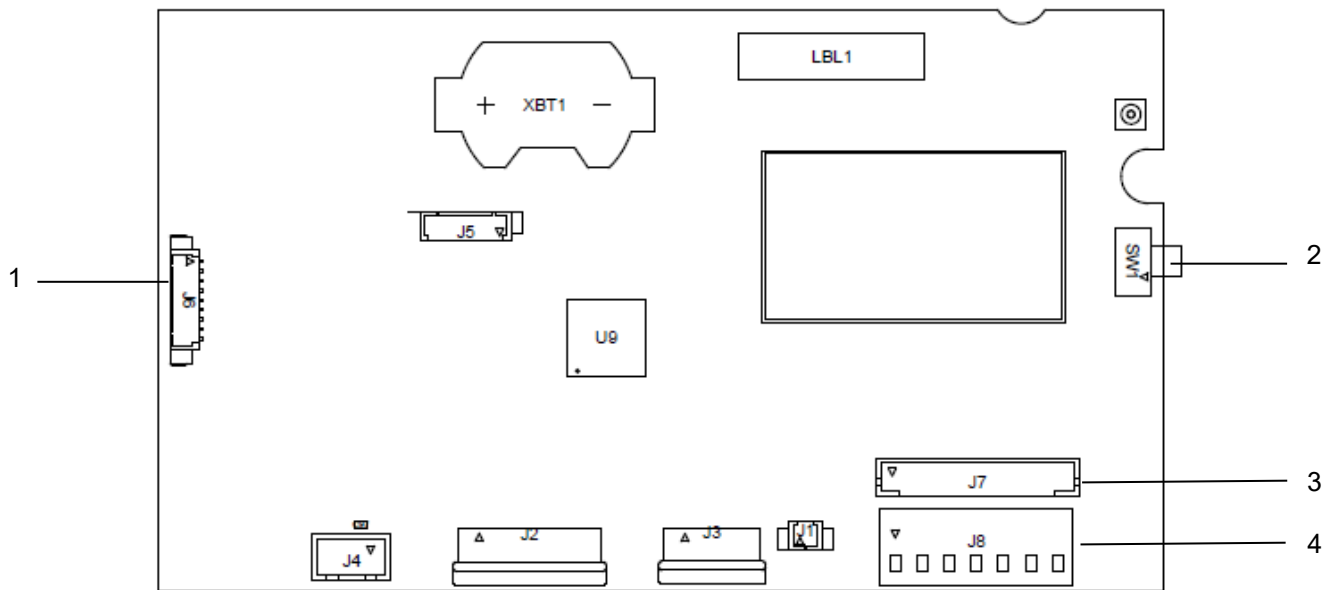


Figura 1-2 Indicatore i-DT61XWE

Voce	Descrizione
1	Pannello di controllo
2	Custodia anteriore
3	Viti (4)
4	Connettore per celle di carico
5	Custodia inferiore
6	Passacavo (opzionale)
7	Cavo di alimentazione

1.4. Scheda madre



.Figura 1-3 i-DT61PW Scheda madre

Voce	Descrizione
1	Connettore di comunicazione IR (J6)
2	Interruttore di sicurezza (SW1)
3	Connettore per celle di carico (J7)
4	Morsettiera per celle di carico (J8)

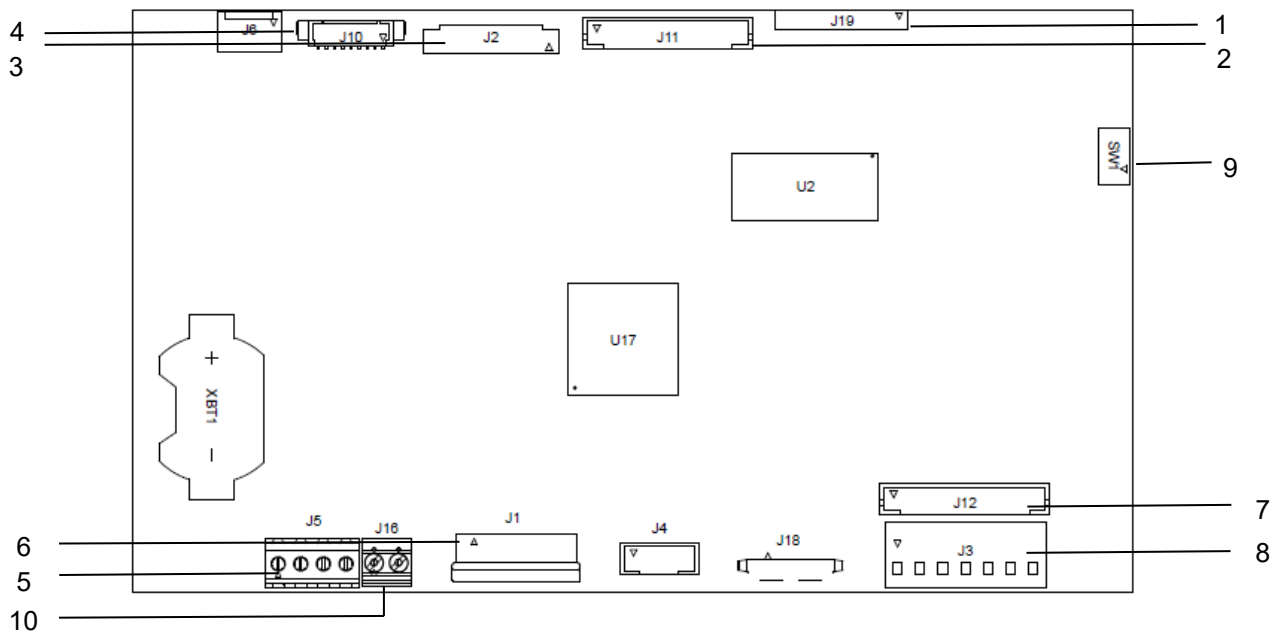


Figura 1-4 i-DT61XWE Scheda madre

Voce	Descrizione	Voce	Descrizione
1	Connettore scheda memoria Alibi (J19)	6	Connettore tastiera (J1)
2	Connettore per dispositivi Discrete IO/Analog/RS232-RS485-USB (J11)	7	Connettore per celle di carico (J12)
3	Connettore per scheda video (J2)	8	Morsettiera per celle di carico (J3)
4	Connettore Ethernet (J10)	9	Connettore interruttore di sicurezza (SW1)
5	Connettore RS232 (J5)	10	Ingresso discreto0 (J16)

1.5. Funzioni di controllo



Pannello di controllo i-DT61PW



Pannello di controllo i-DT61XWE

Tasto	On/Zero Off Yes	Print Units No	Function Mode Back	M+ Menu Exit	Target	→T←
Funzione primaria (Pressione breve)	On/Zero Se il terminale è spento, premere per accendere; Se il terminale è acceso, premere per impostare il punto zero.	Print Invia il valore corrente alle porte COM selezionate se AUTOPRINT è disabilitata.	Function Avvia una modalità applicativa.	M+ Accumula il peso o visualizza le informazioni accumulate senza carico sul piatto.	Target Imposta il valore limite sotto/sopra il valore limite per il Check.	Tare Inserisce/cancella un valore di tara; Quando vengono visualizzati i dati di accumulo, premere per cancellarli.
Funzione secondaria (Pressione lunga)	Off Se il terminale è acceso, premere per spegnere.	Units Cambia l'unità di pesatura.	Mode Permette di cambiare la modalità di applicazione.	Menu Entra nel menu utente.	Target Mostra il valore limite sotto/sopra il valore limite per il Check.	Tare Visualizza il peso della tara.
Funzione del menu (Pressione breve)	Yes Accetta l'impostazione corrente sul display.	No Avanza al menu o alla voce di menu successiva. Rifiuta l'impostazione corrente sul display e passa alla successiva disponibile.	Back Torna alla voce di menu precedente.	Exit Esce dal menu utente. Abortisce la calibrazione in corso.		

Nota:

- Pressione breve: premere meno di 1 secondo.
- Pressione lunga: premere e tenere premuto per più di 2 secondi.

Tastiera numerica (i-DT61XWE)

Funzione primaria (Pressione breve)	1-9 Inserisce valori numerici.	. Inserisce il punto decimale (.).	0 Inserisce i valori numerici 0.	CLR Cancella il valore inserito. Cancella un APW esistente. Quando vengono visualizzati i dati di accumulo, premere per cancellarli.
Funzione secondaria (Pressione lunga)		LIB Cerca le voci della biblioteca con tasti numerici.	User Cerca gli utenti con tasti numeriche.	+/- Commuta tra valore positivo e negativo.

Nota: per il modello i-DT61XWE, premere il tasto e **CLR** insieme per tre secondi per bloccare tutti i pulsanti. L'esecuzione della stessa procedura può sbloccare tutti i pulsanti. Quando tutti i pulsanti sono bloccati, si accende l'icona .

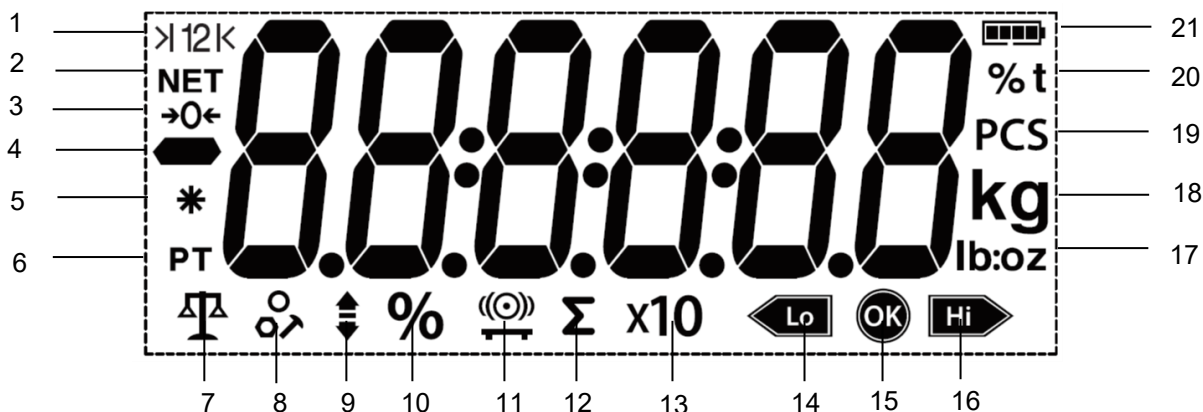


Figura 1-5 Display i-DT61PW

Voce	Descrizione	Voce	Descrizione
1	Simbolo intervallo (non utilizzato)	12	Simbolo di accumulo
2	Simbolo NET	13	Simbolo di estensione della risoluzione (non utilizzato)
3	Simbolo del centro dello zero	14	Controllo del simbolo inferiore di pesatura
4	Simbolo negativo	15	Simbolo accettabile
5	Simbolo di peso stabile	16	Controllo del simbolo di pesatura superiore
6	Tara preimpostata, simboli della tara	17	Libbra, oncia, libbra:simboli oncia
7	Simbolo della modalità di pesatura	18	Simboli del chilogrammo, grammo
8	Simbolo della modalità di conteggio	19	Simbolo dei pezzi
9	Controllo del simbolo della modalità di pesatura	20	Simbolo percentuale, simbolo della tonnellata (non utilizzato)
10	Simbolo della modalità di pesatura percentuale	21	Simbolo della batteria
11	Simbolo della modalità di pesatura dinamica		

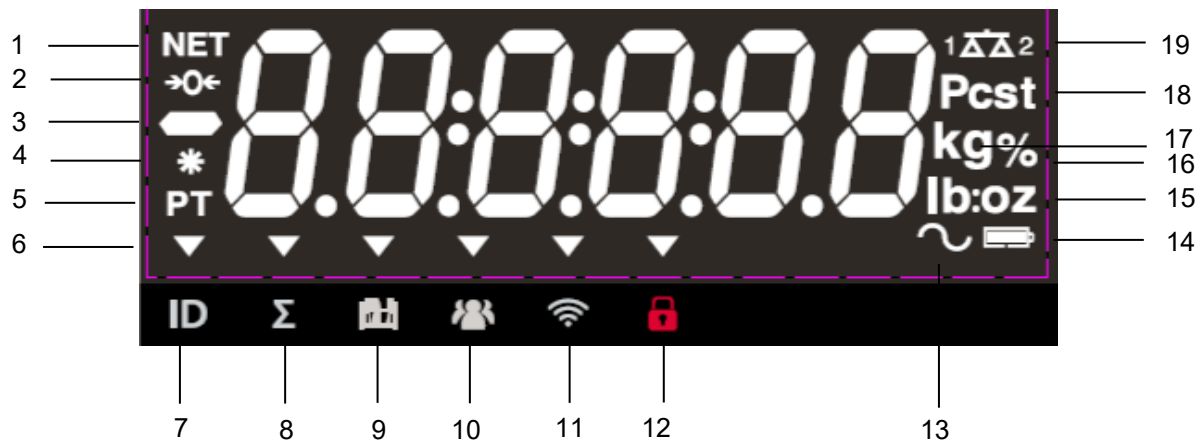


Figura 1-6 Display i-DT61XWE

Voce	Descrizione	Voce	Descrizione
1	Simbolo NET	11	Simbolo Wi-fi
2	Simbolo del centro dello zero	12	Simbolo di blocco
3	Simbolo negativo	13	Simbolo dinamico (tilde)
4	Simbolo di peso stabile	14	Simbolo della batteria (non utilizzato)
5	Tara preimpostata, simboli della tara	15	Libbra, oncia, libbra:simboli oncia
6	Simboli dei puntatori	16	Simbolo percentuale
7	Simbolo identificativo	17	Simboli del chilogrammo, grammo
8	Simbolo di accumulo	18	Simbolo dei pezzi, simbolo della tonnellata (non utilizzato)
9	Simbolo della biblioteca	19	Simbolo della bilancia (non utilizzato)
10	Simbolo dell'utente		

2. INSTALLAZIONE

2.1 Disimballaggio

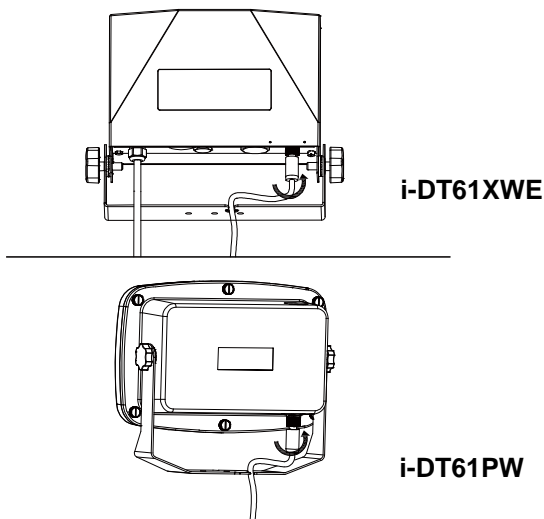
Disimballare i seguenti articoli:

- Indicatore i-DT61PW o i-DT61XWE
- 6 celle di batterie a secco di dimensione D (solo i-DT61PW)
- Staffa di montaggio
- Manopole (2)
- Guida rapida all'installazione
- Manuale delle istruzioni

2.2 Collegamenti esterni

2.2.1 Base della bilancia con connettore EasyConnect™

Per collegare la base della bilancia OHAUS con il connettore EasyConnect™ al terminale, collegare il connettore della base al connettore della cella di carico esterna situato nella parte inferiore del terminale. Quindi ruotare l'anello di bloccaggio del connettore di base in senso orario. Verificare i dettagli nella seguente illustrazione.



2.2.2 Ingresso alimentazione al i-DT61PW

Utilizzare 6 celle di batterie a secco di dimensione D. Durante il funzionamento a batteria, il simbolo della batteria indica lo stato della batteria.



Batteria 5~25% rimanente



Batteria 25~50% rimanente



Batteria 50~75% rimanente



Batteria 75~100% rimanente

2.2.3 Alimentazione CA al i-DT61XWE

Collegare la spina CA ad una presa elettrica.

2.3 Collegamenti interni

Alcuni collegamenti richiedono l'apertura della custodia.

2.3.1 Apertura della custodia



CAUTELA: PERICOLO DI SCOSSE ELETTRICHE. PRIMA DI EFFETTUARE LA MANUTENZIONE O I COLLEGAMENTI INTERNI RIMUOVERE TUTTI I COLLEGAMENTI DI ALIMENTAZIONE ALL'INDICATORE. LA CUSTODIA DEVE ESSERE APERTA SOLO DA PERSONALE AUTORIZZATO E QUALIFICATO, COME AD ESEMPIO UN ELETTRICISTA ESPERTO.

i-DT61PW

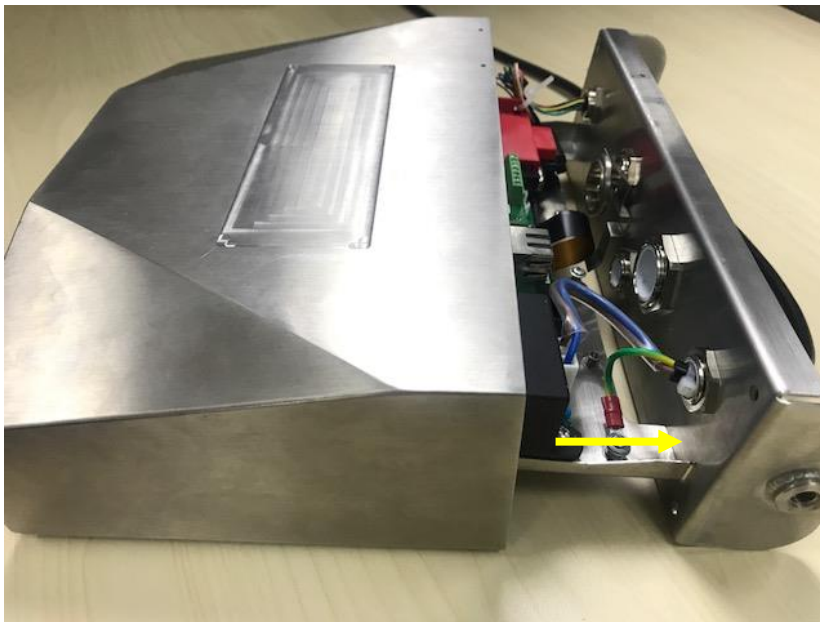
1. Rimuovere le sei viti con testa Phillips dalla custodia posteriore.
2. Rimuovere la custodia anteriore. Fare attenzione a non intralciare i collegamenti interni.
3. Una volta effettuati tutti i collegamenti, rimontare la custodia anteriore.

i-DT61XWE

1. Rimuovere le quattro viti a testa esagonale dalla custodia inferiore.



2. Aprire la custodia tirando con attenzione la custodia inferiore all'indietro.



3. Una volta effettuati tutti i collegamenti, rimontare la custodia inferiore.

Nota: per garantire la tenuta stagna, le viti devono essere serrate con una coppia di serraggio di 2,5 N-m (20-25 in-lb).

2.3.2 Base della bilancia senza connettore Easy Connect™

Per il collegamento delle basi (che non hanno il connettore Easy Connect™ rapido della base Defender) all' i-DT61PW o i-DT61XWE, è disponibile come accessorio un kit pressacavo per celle di carico (P/N 30379716).

Rimozione del connettore della cella di carico e del cablaggio preinstallato.

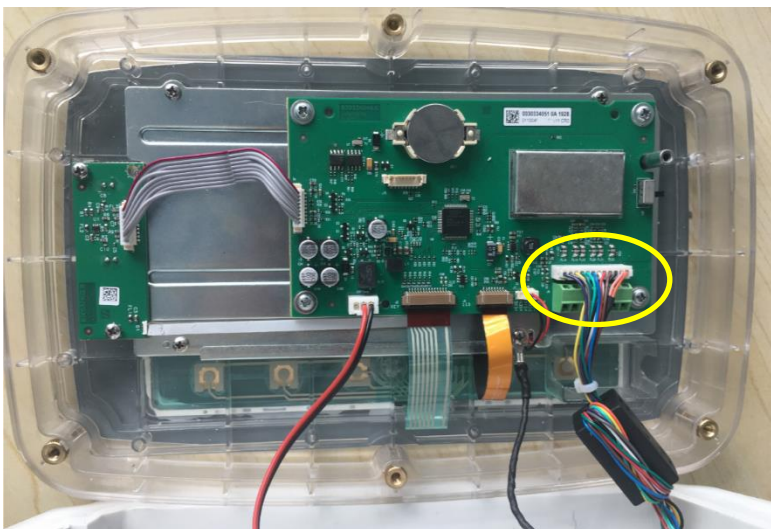
Prima di effettuare i collegamenti, rimuovere il connettore della cella di carico e il cablaggio preinstallato seguendo i passi qui indicati.

i-DT61PW

1. Rimuovere le 6 viti Phillips e aprire la custodia posteriore tirando con cautela la custodia anteriore in avanti.
2. Scollegare i connettori bianchi delle celle di carico dalla custodia principale (due cerchi).



3. Aprire la custodia anteriore rimuovendo le 12 viti Phillips.
4. Scollegare i connettori bianchi delle celle di carico dalla scheda madre PCBA.

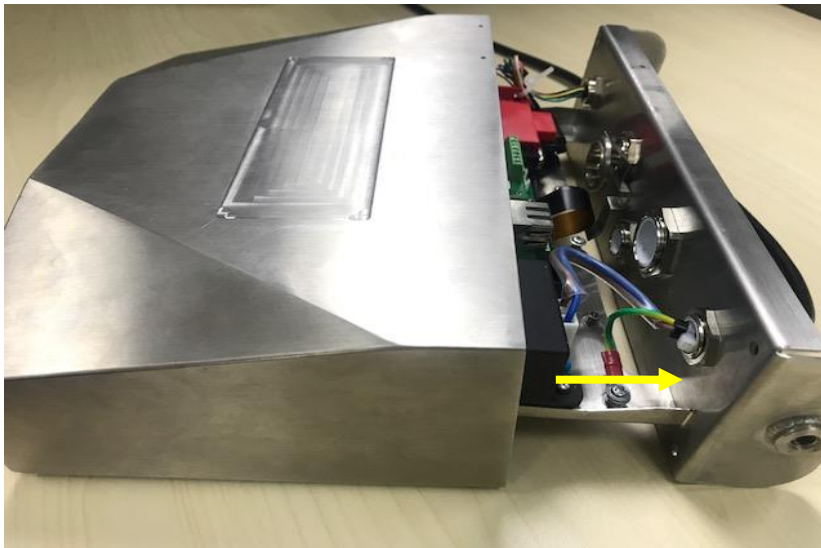


i-DT61XWE

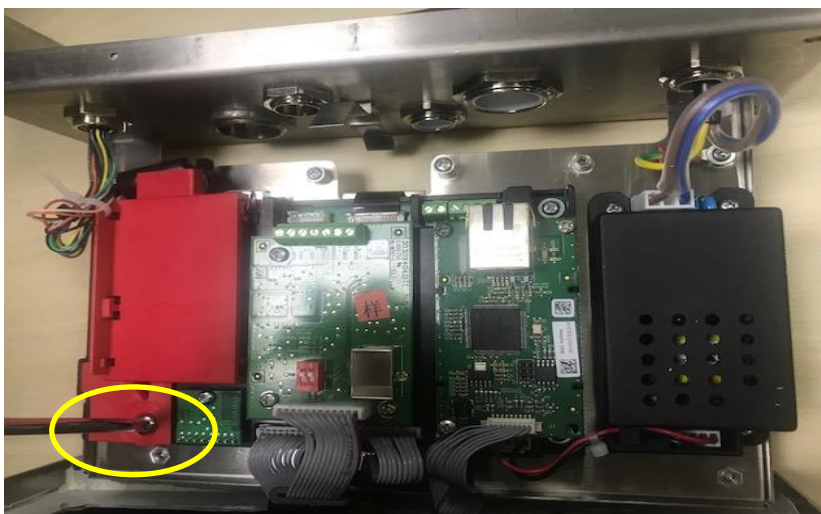
1. Posizionare il terminale verso il basso e svitare le viti contrassegnate nella seguente figura.



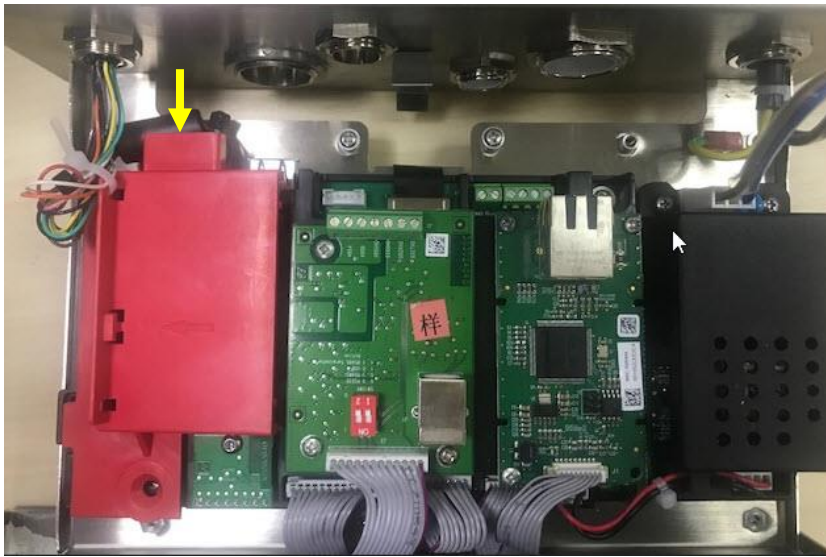
2. Estrarre il fondo del terminale.



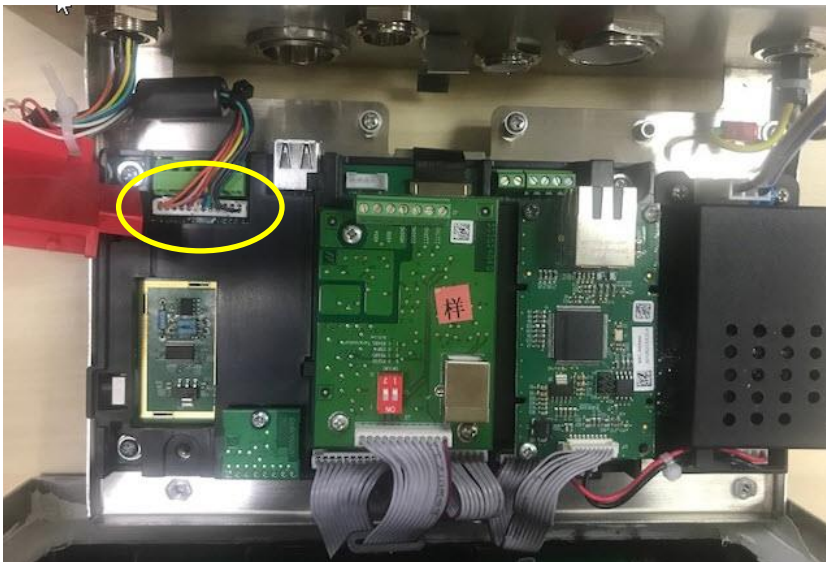
3. Utilizzare un cacciavite per svitare il coperchio di tenuta.



4. Tirare un po' in avanti la parte sporgente del coperchio di tenuta per sbloccarlo.



5. Rimuovere il coperchio di tenuta e quindi scollegare i connettori bianchi delle celle di carico.



Installazione del cavo e dei connettori delle celle di carico

Per rispettare determinati limiti di emissione di rumore elettrico e per proteggere l'i-DT61PW e l'i-DT61XWE da influenze esterne, sul cavo della cella di carico collegato al terminale è necessario installare un nucleo di ferrite. Il nucleo in ferrite è incluso nel terminale.

Per installare la ferrite, è sufficiente far passare il cavo attraverso il centro del nucleo e poi avvolgere il cavo all'esterno del nucleo e far passare di nuovo il cavo attraverso il centro. Il cavo completo o i singoli fili possono essere avvolti attraverso la ferrite. Ciò dovrebbe essere fatto il più vicino possibile all'involucro. Vedere Figura 2-1.



Figura 2.1

Conessioni del cablaggio della scheda madre

Una volta aperto l'involucro dei i-DT61PW e i-DT61XWE, è possibile effettuare i collegamenti alle morsettiere della scheda madre come mostrato in Figura 2-2.

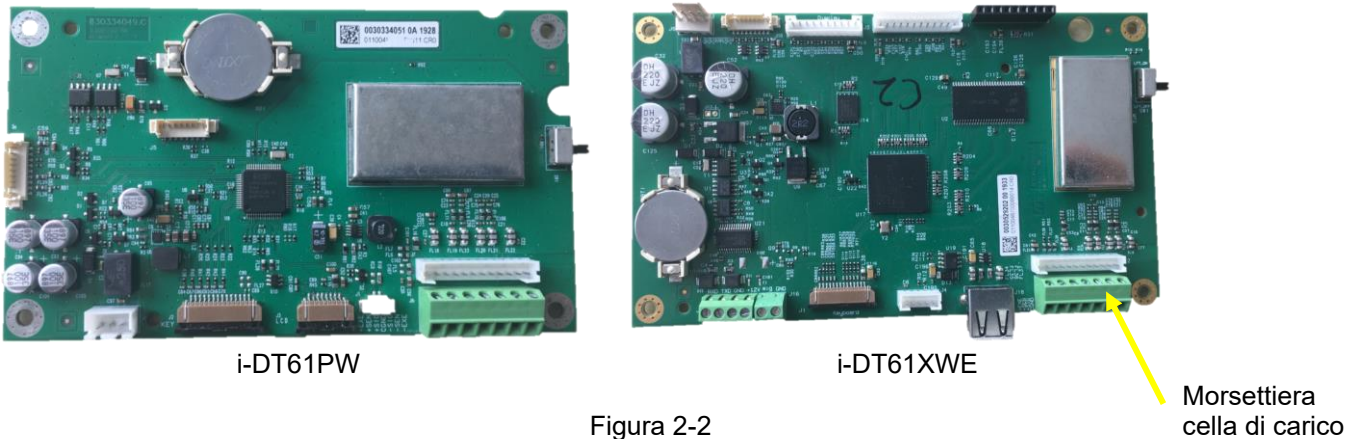
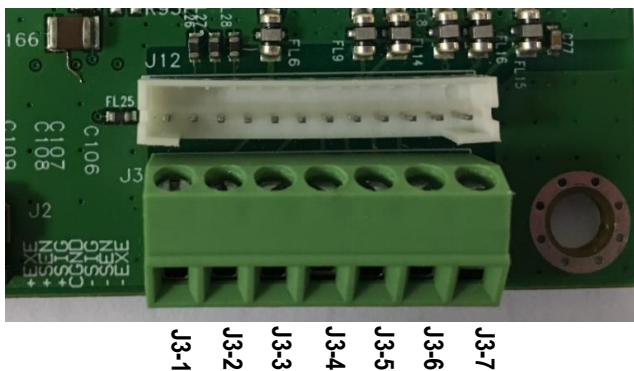


Figura 2-2

Collegamenti dei ponticelli

Gli indicatori i-DT61PW e i-DT61XWE sono progettati per supportare sia le celle di carico a 2mV/V che quelle a 3mV/V dello stesso circuito. Non è richiesto un ponticello di selezione della potenza di uscita della cella di carico.

La Figura 2-3 mostra le definizioni dei terminali per le morsettiere delle celle di carico analogiche. Si noti che quando si usano celle di carico a quattro fili, i ponticelli devono essere posizionati fra i terminali +Excitation e +Sense e fra i terminali -Excitation e -Sense.



Pin	Collegamento
J3-1	+EXC
J3-2	+SEN
J3-3	+SIN
J3-4	GND
J3-5	-SIN
J3-6	-SEN
J3-7	-EXC

Figura 2-3 Collegamenti dei ponticelli

Una volta completato il cablaggio, sostituire le viti della custodia dell'indicatore. Assicurarsi che il pressacavo impermeabile sia adeguatamente serrato.

2.3.3 Cavo di interfaccia di comunicazione verso i-DT61PW

Collegare il cavo di comunicazione IR (P/N: 30572910) al pannello frontale dell'indicatore, assicurandosi che i due fori del modulo del cavo di interfaccia corrispondano ai due bulloni che si trovano nel pannello frontale.

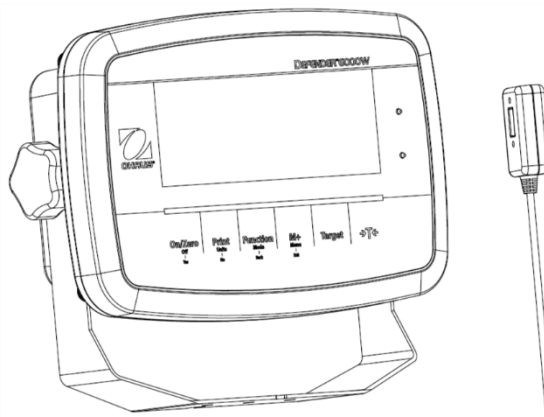


Figura 2-4

2.3.4 Cavo di interfaccia RS232 verso l'i-DT61XWE

Far passare il cavo RS232 opzionale attraverso il pressacavo e fissarlo al connettore RS232 della scheda madre. Serrare il pressacavo per mantenere la tenuta stagna. Si prega di fare riferimento alla Figura 2-7 per la posizione del connettore della porta seriale RXD TXD e GND.

Nota:

- Per informazioni su come aprire la custodia del terminale, consultare la sezione Apertura della Custodia.
- Per i dettagli sulla funzione Discrete Input0, consultare la sezione **Discrete I/O (per i-DT61XWE)** .



Figura 2.5 Passacavo opzionale

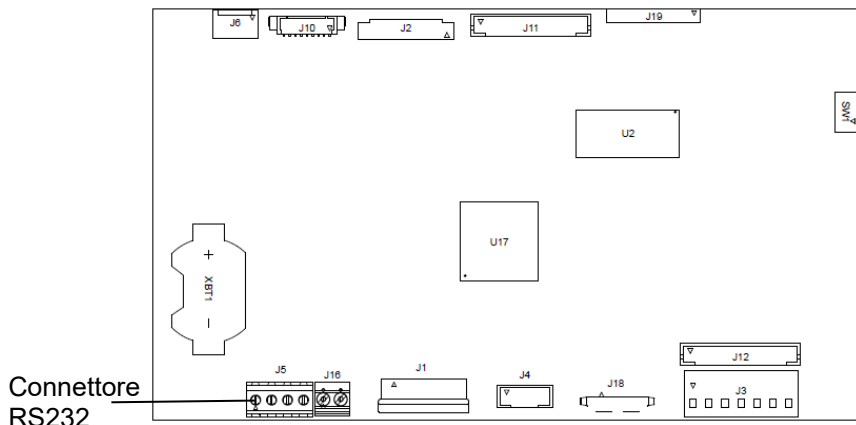


Figure 2-6 RS232 Connettore sulla scheda madre

Ingresso Discreto0



Figura 2.7 Connettore RS232

2.4 Staffa di montaggio

Fissare la staffa ad una parete o ad un tavolo utilizzando gli elementi di fissaggio (non forniti) appropriati al tipo di superficie di montaggio. La staffa può ospitare viti con diametro fino a 6 mm (1/4"). Individuare i fori di montaggio come mostrato in Figura 2-8 e 2-9.

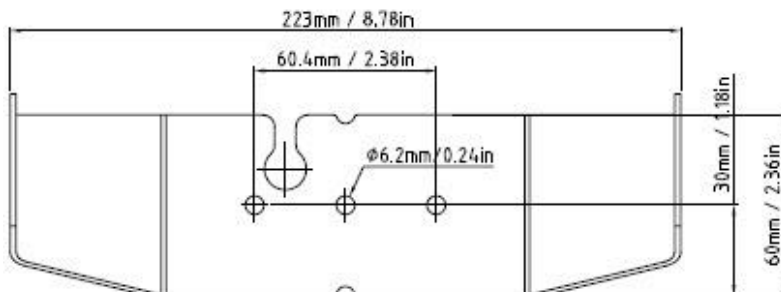


Figura 2.8 Dimensioni staffa di montaggio i-DT61PW

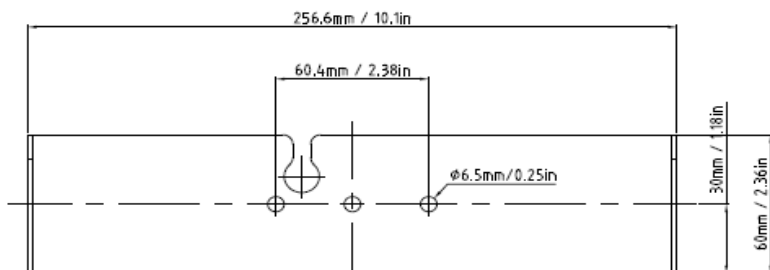


Figura 2.9 Dimensioni staffa di montaggio 9 i-DT61XWE

3. FUNZIONAMENTO

3.1 Accensione/spegnimento della bilancia

Per accendere la bilancia, tenere premuto il tasto **On/Zero Off** per 1 secondo. La bilancia esegue un test di visualizzazione, visualizza momentaneamente la versione del software e poi entra nella modalità di pesatura attiva.


Per spegnere la bilancia, tenere premuto il tasto **On/Zero Off** fino a quando non viene visualizzato **OFF**.

3.2 Modalità di pesatura

Utilizzare questa applicazione per determinare il peso degli articoli nell'unità di misura selezionata. Questa modalità è l'impostazione predefinita di fabbrica.

3.2.1 Ingresso nella modalità e inizio della pesatura

Per entrare nella modalità di pesatura da qualsiasi modalità di applicazione:

1. Tenere premuto il tasto **Mode** fino a quando non viene visualizzato **UJE IGH**.
2. Se necessario, mettere un contenitore vuoto sul piatto e premere il tasto  per la tara.
3. Aggiungere il campione al piatto o al contenitore. Il display mostra il peso del campione.

Nota: si prega di fare riferimento alla sezione **Check** per le modalità di utilizzo del Check in modalità Pesatura.

3.2.2 Accumulo e statistiche

La funzione di accumulo consente la totalizzazione manuale o automatica dei valori visualizzati. I dati statistici (peso totale accumulato, peso min/max, pezzi, percentuale e numero totale di campioni) sono memorizzati per la revisione e la stampa. L'accumulo funziona insieme ad ogni modalità di applicazione ad eccezione del Riempimento, ma i dati di accumulo saranno cancellati quando si passa ad un'altra modalità.

3.2.2.1 Impostazioni

Ci sono quattro opzioni di accumulo:

- Spento(**OFF**): si disabilita la funzione di accumulo.
- Manuale(**MANUAL**): premere il tasto **M+** per fare l'accumulazione manualmente.
- Automatico (**AUTO**): la bilancia effettuerà automaticamente l'accumulo.
- Accettare(**ACCEPT**): la bilancia esegue automaticamente l'accumulo in modalità **Check** quando il peso sul piatto è accettabile tra il valore inferiore e quello superiore impostati.

Per impostare le opzioni di accumulo:

1. Premere a lungo il tasto **Menu** fino a visualizzare **C.A.L.**
2. Premere brevemente una volta il tasto **No**. Quando si vede **S.E.T.U.P.**, premere il tasto **Yes**.
3. Premere brevemente e più volte il tasto **No** per navigare finché non si vede **ACCUM**. Premere il tasto **Yes**.
4. Premere brevemente e più volte il tasto **No** per selezionare l'opzione di accumulo desiderata. Le quattro opzioni sono state introdotte sopra. Quindi, premere il tasto **Yes** per confermare.
5. Premere il tasto **Exit** per uscire.

3.2.2.2 Accumulo

Manuale

Posizionare l'oggetto sulla bilancia e premere il tasto **M+** per aggiungere il peso all'accumulo. Il puntatore Σ continuerà a lampeggiare finché il peso non sarà rimosso e la piattaforma stabile.


Automatico

Posizionare l'oggetto sulla bilancia. Il valore visualizzato viene accumulato automaticamente. Il puntatore Σ continuerà a lampeggiare fino a quando il peso non verrà rimosso e la piattaforma stabile.

Accettare

Posizionare l'oggetto sulla bilancia in modalità di controllo (check). Il valore visualizzato viene accumulato automaticamente quando il peso è accettabile tra il valore inferiore e quello superiore impostati.

3.2.2.3 Visualizzazione e cancellazione dei dati statistici

Una volta liberato il piatto, premere il tasto **M+** per visualizzare il risultato dell'accumulo e delle statistiche. Per cancellare i dati di accumulo, premere il pulsante **CLR** sul terminale i- DT61XWE o il pulsante  sul

terminale, mentre si visualizzano le informazioni statistiche. Quando il display mostra **CLr.ACC** premere il tasto **Yes** per cancellare i dati memorizzati e tornare alla modalità corrente.

Nota:

- L'oggetto deve essere rimosso dal piatto prima di poter accumulare quello successivo.
- Vengono archiviati solo pesi stabili.
- Cambiando modalità i dati di accumulo memorizzati verranno cancellati.
- Quando è attivato Legal for Trade: for NTEP, il peso lordo e netto non possono essere aggiunti allo stesso totale.
- Se il primo peso viene registrato come peso lordo, quelli successivi dovranno essere registrati nello stesso modo. Lo stesso per il peso netto.

3.2.3 Controllo (Check)

Utilizzare questa applicazione per confrontare il peso degli oggetti con una gamma di peso obiettivo. Questa modalità è disponibile per Pesatura, Conteggio, Percentuale e Dinamica.

3.2.3.1 Impostazione dei limiti di controllo

i-DT61PW

1. Per impostare i limiti di controllo, premere il tasto **Target** dalla modalità Pesatura, Conteggio, Percentuale o Dinamica.
2. Il display mostra **UNdEr**.
3. Premere il tasto **Yes** per modificare il valore inferiore.
4. Se è stato memorizzato un valore inferiore precedente, il display lo mostrerà. Per esempio: 1,0 kg.
 - Premere il tasto **Yes** se si desidera utilizzare questo valore. Il display mostra, quindi, **OUEr**.
 - Premere il tasto **No** se non si desidera utilizzare questo valore e passare al punto 6.
5. Se non c'è alcun valore memorizzato, il display visualizza **000000**.
6. Per impostare un nuovo valore inferiore, premere più volte brevemente il tasto **No** fino a quando non appare il numero desiderato. Premere brevemente il tasto **Yes** per accettare il numero e passare alla cifra successiva. Ripetere il processo fino a quando tutte le cifre sono corrette. Premere il tasto **Yes** per accettare il valore. Il display mostra, quindi, **OUEr**.
7. Ripetere i passi/punti da 2 a 6 per impostare il valore superiore.
8. Se i valori impostati non sono validi, il display mostrerà **--nD--** e tornerà indietro per il reset.
9. Se i valori impostati sono validi, il display andrà a controllare la schermata di pesatura.

DT61XWE

1. Per impostare i limiti di controllo, premere il tasto **Target** dalla modalità Pesatura, Conteggio, Percentuale o Dinamica.
2. Il display mostra **UNdEr**.
3. Premere il tasto **Yes** per modificare il valore inferiore.
4. Se è stato memorizzato un valore inferiore precedente, il display lo mostrerà.
 - Premere il tasto **Yes** se si desidera utilizzare questo valore.
 - Premere il tasto **No** se non si desidera utilizzare questo valore o se non si dispone di un valore memorizzato. Inserire quello necessario con il tastierino numerico. Premere il tasto **Yes** per accettare il valore inferiore
5. Il display mostrerà **OUEr**.
6. Ripetere i passi/punti 2 e 3 per impostare il valore superiore.
7. Se i valori impostati non sono validi, il display mostrerà **--nD--** e tornerà indietro per il reset.
8. Se i valori impostati sono validi, il display andrà a controllare la schermata di pesatura.

3.2.3.2 Controllo positivo

Il controllo positivo viene utilizzato per determinare quando il materiale aggiunto alla bilancia è all'interno dell'intervallo target. In questo caso il valore inferiore e superiore devono essere valori positivi. (Il valore superiore deve essere maggiore di quello inferiore.)

Aggiungere materiale alla piattaforma della bilancia fino a quando non si trova all'interno dell'intervallo Accetta (verde).

3.2.3.3 Controllo negativo

Il controllo negativo viene utilizzato per determinare quando il materiale rimosso dalla bilancia si trova all'interno dell'intervallo target. In questo caso i valori inferiori e superiori sono entrambi negativi.

Il valore inferiore deve essere maggiore di quello superiore. (Per esempio: il valore inferiore è -10; il valore superiore è -15).



Posizionare l'oggetto da pesare sulla bilancia e premere il tasto . Rimuovere una parte dell'oggetto fino a quando non rientri nell'intervallo accettabile.

3.2.3.4 Controllo dello Zero

Il controllo dello zero viene utilizzato quando si confrontano i campioni successivi con un campione di riferimento iniziale. In questo caso, il valore inferiore deve essere un valore negativo e il valore superiore deve essere positivo.



Posizionare l'oggetto di riferimento sulla bilancia e premere il tasto . Rimuovere il materiale dalla piattaforma della bilancia finché il display mostra che se si trova all'interno dell'intervallo Accetta (verde).

3.2.3.5 Cancellazione dei limiti di controllo

Premere a lungo il tasto **Target** fino a quando il display mostra i valori inferiore e superiore.



Premere il tasto **CLR** dell'indicatore i-DT61XWE o il tasto dell'indicatore i-DT61PW, il display mostra **CLR.CHR**. Premere il tasto **Yes** per cancellare sia il valore inferiore che quello superiore.

3.2.4 Impostazioni dell'applicazione

L'applicazione può essere personalizzata in base alle preferenze dell'utente.

Per inserire le impostazioni dell'applicazione:

1. Premere a lungo il tasto **Menu** fino a visualizzare **C.R.L**. Premere brevemente più volte il tasto **No** fino a quando non si vede **N.O.d.E**. Premere il tasto **Yes** per accedere alle impostazioni della modalità di applicazione.
2. Premere brevemente più volte il tasto **No** per navigare fino a visualizzare la selezione desiderata.
3. Premere il tasto **Yes** per selezionare.
4. Ripetere più volte i punti 2 e 3 fino a quando non si sono completate tutte le impostazioni.
5. Premere il tasto **Exit** per uscire.

Le configurazioni di pesatura sono definite di seguito (quelle predefinite in grassetto).

Voce	Impostazioni disponibili	Commenti
Pesatura (LJE IGH)	Acceso , spento	Per abilitare la Pesatura

Nota: non è possibile disattivare la Pesatura se ci si trova nella modalità corrente.

3.3 Modalità di conteggio

Utilizzare questa applicazione per contare i campioni di peso uniforme.

3.3.1 Ingresso nella modalità

Per entrare nella modalità:


1. Tenere premuto il tasto **Mode** fino a quando non viene visualizzato **COUNT**.
2. Quando il tasto **Mode** viene rilasciato, il display mostra **CLR.PWJ**.
3. Se è necessario cancellare l'APW memorizzato dell'ultima volta, premere il tasto **Yes**. Poi andare al punto 5.
Nota: se il peso sul piatto è maggiore di 1d, il display mostrerà **CLR.PAN** fino a quando il peso non sarà rimosso dal piatto.
4. Se è necessario richiamare l'APW memorizzato dell'ultima volta e continuare ad utilizzarlo, premere il tasto **No** per iniziare il conteggio.
Nota: se non è stato impostato nessun APW in precedenza, i punti 3 e 4 saranno omessi.

3.3.2 Stabilire un APW

Per stabilire un APW:

1. seguire il punto 4 precedente.
 - **DT61PW:**
Il display mostra la dimensione del campione **Pwt. 10**. Per modificarla, premere più volte brevemente il tasto **No** fino a quando non viene visualizzato il valore desiderato.
Nota: le selezioni di dimensione del campione disponibili sono 5, 10, 20, 50 e 100 (l'impostazione predefinita è 10).
 - **DT61XWE**
Il display lampeggia con la dimensione del campione corrente, come ad esempio 10 Pz. Per modificarla, inserire la nuova dimensione del campione attraverso la tastiera numerica. Non premere il tasto **Yes** fino al completamento del passaggio successivo.
2. Posizionare la quantità di campioni specificata sul piatto e premere il tasto **Yes** per catturare il peso stabile corrente.

Nota:

- Durante il processo di acquisizione, il display mostra **-- -- -- --**. (i-DT61PW)
- Per effettuare la tara, è possibile premere il tasto . A seconda dei casi, si accenderanno il centro dello zero, le icone PT o NET.
- Se l'APW è compreso tra 0,1d e 1d, il display mostra **LD.rEF** per 1,5 secondi. Poi inizierà il conteggio.
- Se l'APW è inferiore a 0,1d, il display mostra **rEF.Err** per 1,5 secondi e poi torna a mostrare ciò che viene visualizzato al punto 1. Per ristabilire un valore APW, si prega di sostituire i campioni sul piatto e premere il tasto **Yes**.

3.3.3 Inizio del conteggio

1. Posizionare le parti sul piatto e leggere il numero. Vengono visualizzati il numero di pezzi e l'icona Pz.
2. Premere il tasto **Function** per visualizzare temporaneamente l'APW. **APWJ** viene visualizzato per 0,5 secondi. Il valore APW viene quindi visualizzato per 1,5 secondi utilizzando l'attuale unità di misura.

Nota: Fare riferimento a **Check** nella sezione **Modalità di pesatura** per sapere come utilizzare il Check nella modalità di conteggio.

3.3.4 Impostazioni dell'applicazione

L'applicazione può essere personalizzata in base alle preferenze dell'utente. Si prega di fare riferimento alla sezione **Impostazioni dell'applicazione** in **Modalità di pesatura** per i dettagli su come inserire le impostazioni dell'applicazione.

Le configurazioni di conteggio sono definite di seguito (per impostazione predefinita in grassetto).

Voce	Impostazioni disponibili	Commenti
Conteggio (COUNT)	Acceso, spento	Per attivare il conteggio
Auto Opt. (A.OPT)	Acceso , spento	Spento: Auto Opt. è spento. Acceso: L'APW sarà ottimizzato automaticamente durante la pesatura del conteggio.

Nota: non è possibile disattivare il conteggio se ci si trova nella modalità corrente.

3.4 Modalità percentuale

Utilizzare questa applicazione per misurare il peso di un campione visualizzato come percentuale di un peso di riferimento prestabilito.

3.4.1 Ingresso nella modalità

Per accedere alla modalità percentuale da qualsiasi modalità di applicazione:


1. Premere e tenere premuto il tasto **Mode** fino a quando viene visualizzato **PERCENT**.
2. Quando il tasto **Mode** viene rilasciato, il display mostra **CLREF** e l'icona %.
3. Se è necessario cancellare il peso di riferimento memorizzato l'ultima volta, premere il tasto **Yes**. Poi andare al punto 5.
Nota: Se il peso acquisito è superiore o uguale a 1d o inferiore o uguale a -1d, il display mostrerà **CLPAN** fino a quando il campione non viene rimosso dal piatto.
4. Se è necessario richiamare il peso di riferimento memorizzato l'ultima volta e continuare ad utilizzarlo, premere il tasto **No** e iniziare la pesatura percentuale.
Nota: se non è stato precedentemente memorizzato alcun peso di riferimento, i punti 3 e 4 saranno omessi.
5. Il display mostra il **PUTREF** e l'icona %.

3.4.2 Stabilire un peso di riferimento

Per stabilire un peso di riferimento:

seguire il punto 5 precedente. Quando si vede **PUTREF** visualizzato sullo schermo, posizionare la quantità di campioni specificata sul piatto e premere il tasto **Yes** per acquisire il peso stabile corrente.

Nota:

- Per effettuare la tara, è possibile premere il tasto . A seconda dei casi, si accenderanno il centro dello zero, le icone PT o NET.
- Per il modello i-DT61PW, durante il processo di acquisizione, il display mostra - - - - -.
- Se durante il processo di acquisizione il peso di riferimento è inferiore a 100d, il display mostrerà **REFERR** per 1,5 secondi e poi tornerà a mostrare **PUTREF**. Per ristabilire un peso di riferimento, si prega di sostituire i campioni sul piatto e premere il tasto **Yes**.

3.4.3 Inizio della pesatura percentuale

1. Posizionare un campione sul piatto e leggere la percentuale. Vengono visualizzati il valore percentuale attuale e l'icona %.
2. Premere il tasto **Function** per visualizzare temporaneamente il peso di riferimento. Viene visualizzato **REFWGT** per 0,5 secondi. Viene successivamente visualizzato per 1,5 secondi il valore del peso di riferimento nell'unità di misura corrente.

Nota: per sapere come utilizzare il Check nella modalità di pesatura percentuale, si prega di fare riferimento a **Check** nella sezione **Modalità di pesatura**.

3.4.4 Impostazioni dell'applicazione

L'applicazione può essere personalizzata in base alle preferenze dell'utente. Si prega di fare riferimento alla sezione **Impostazioni dell'applicazione** in **Modalità di pesatura** per i dettagli su come inserire le impostazioni dell'applicazione.

Le configurazioni di pesatura percentuale sono definite di seguito (valori predefiniti in grassetto).

Voce	Impostazioni disponibili	Commenti
Percentuale (PERCENT)	Acceso , spento	Per attivare la pesatura percentuale

Nota: non è possibile disattivare Percentuale se ci si trova nella modalità corrente.

3.5 Modalità dinamica

Utilizzare questa applicazione per pesare un carico instabile, come un animale in movimento.

3.5.1 Ingresso nella modalità

Per accedere alla modalità di pesatura dinamica da qualsiasi modalità di applicazione:

1. tenere premuto il tasto **Mode** fino a quando non viene visualizzato **⚖**.
2. Il display indica **rEAdY**.

3.5.2 Avvio della pesatura dinamica

1. Per cominciare:
 - Quando il tipo di funzionamento è manuale. Posizionare il carico (maggiore o uguale a 5d) sul piatto e premere il tasto **Function** per avviare il processo di calcolo della media.
 - Quando il tipo di funzionamento è semiautomatico/automatico. Posizionare il carico (maggiore o uguale al peso di partenza) sul piatto, e il terminale inizierà automaticamente il processo di calcolo della media

Nota: Il display deve essere a zero valore lordo o netto prima di posizionare il carico sul piatto.
2. Durante il periodo di calcolo della media, il timer del conto alla rovescia diminuisce con incrementi di un secondo (ad esempio, il tempo medio impostato è di 5s).
- Nota:** se il tempo medio impostato è 0s, il timer del conto alla rovescia non viene visualizzato.
3. Viene effettuata la media delle letture e la stessa mantenute sul display quando il conto alla rovescia è stato completato sia in modalità Conto alla rovescia che in modalità Continua.
- Inoltre, per il modello DT61XWE:
 - il simbolo della tilde lampeggerà indicando che il peso corrente è mantenuto in modalità conto alla rovescia.
 - Il simbolo della tilde lampeggerà indicando che il peso attuale viene calcolato in media in tempo reale in modalità continua.

Nota: se il tempo medio impostato è 0s, verrà visualizzato e mantenuto il primo peso maggiore di 5d.
4. Per azzerare il timer del conto alla rovescia:
 - quando il tipo di operazione è manuale/semiautomatico, premere il tasto **Function** per azzerare il timer del conto alla rovescia quando il conto alla rovescia è in corso. Il display mostra **rEAdY** e inizia nuovamente il conteggio.
 - Quando il tipo di funzionamento è automatico, rimuovere il carico dal piatto, e il peso medio sarà ancora visualizzato fino alla fine del tempo di durata. Successivamente il display mostrerà **rEAdY**, e inizierà a ricontare.

Nota:

 - Per potere azzerare il timer del conto alla rovescia il display **rEAdY** deve essere a valore zero lordo o netto.
 - Per sapere come utilizzare il Check nella modalità di pesatura dinamica, fare riferimento a **Check** nella sezione **Modalità di pesatura**.

3.5.3 Impostazioni dell'applicazione

L'applicazione può essere personalizzata in base alle preferenze dell'utente. Si prega di fare riferimento alla sezione **Impostazioni dell'applicazione** in **Modalità di pesatura** per i dettagli su come inserire le impostazioni dell'applicazione.

Le configurazioni di pesatura dinamica sono definite di seguito (default in grassetto).

Voce	Impostazioni disponibili	Commenti
Modalità dinamica (ጋህገገገ)	Conto alla rovescia (ፎረገገ)/ Continua(ፎረገገ)/ Spento(ፊፊ)	Conto alla rovescia: C'è un conto alla rovescia. Continuo: la media continuerà dopo il conto alla rovescia.
Tipo di funzionamento dinamico (ጋ.ፎ.ገገ)	Manuale (ገገገ)/ Semiautomatico (ፎረገገ ገ)/ Automatico (ፎረገገ)	Manuale: il processo di calcolo della media viene avviato e resettato manualmente. Semiautomatico: il processo di calcolo della media viene avviato automaticamente e resettato manualmente. Automatico: il processo di calcolo della media viene avviato e resettato automaticamente.
Peso di partenza (ፎ.ገገገ)	0 ~ Capacità Peso	La pesatura dinamica inizia quando il carico è più grande del peso di partenza (per le modalità Semi-automatico e Automatico).
Tempo di durata (ጋ.ፎ. ገገገ)	1 ~ 10 s	È il tempo nel quale il display mantiene il risultato della pesatura dinamica dopo che il carico è stato rimosso.
Tempo medio (ገ.ፎ. ገገገ)	0 ~ 30 s	Tempo in secondi. Se il tempo medio è 0, il primo peso stabile (maggiore di 5d o uguale a 5d) sarà il risultato.

Nota: se ci si trova nella modalità corrente non è possibile disattivare Dinamico.

3.6 Modalità riempimento

Utilizzare questa applicazione per riempire un contenitore fino ad un peso target predeterminato.

Nota: la modalità di riempimento è disponibile solo per il modello i-DT61XWE.

3.6.1 Ingresso nella modalità

Per entrare in modalità di riempimento da qualsiasi modalità di applicazione:

1. Premere e tenere premuto il tasto **Mode** fino a quando non viene visualizzato **FILL**.
2. Il peso effettivo viene visualizzato sul display.

3.6.2 Inizio del riempimento

1. Per avviare il processo di riempimento, con la bilancia in stato di arresto o di pausa, premere il tasto **Function**. Sarà abilitata la porta di uscita.
2. Aggiungere del peso sul piatto. Quando viene raggiunto un set point (SP1/SP2/SP3/SP4), la relativa porta di uscita viene disabilitata.
3. Per interrompere il processo di riempimento, con la bilancia in stato di avvio o di pausa, premere il tasto **Function**. La porta di uscita sarà tutta disabilitata.

3.6.3 Ripresa e messa in pausa del riempimento

1. Con la bilancia in stato di pausa, premere il tasto **Target** per riprendere il processo di riempimento. La porta di uscita sarà abilitata o disabilitata in base al valore di carico attuale.
2. Con la bilancia in stato di avvio, premere il tasto **Target** per mettere in pausa il processo di riempimento. La porta di uscita sarà tutta disabilitata e il display sarà "congelato".

3.6.4 Visualizzazione della Schermata con matrice a punti

La schermata con matrice a punti sarà diviso in una o quattro colonne a seconda del numero di set point (SP) validi. Il massimo è di quattro colonne. Ad esempio, se si impostano quattro SP, allora lo schermo sarà diviso in quattro colonne. Inoltre, lo schermo visualizzerà colori diversi a seconda del valore di carico.

Per esempio:

1. si impostano quattro valori SP validi e SP1 è inferiore a SP2, SP2 inferiore a SP3, SP3 inferiore a SP4. Lo schermo a traliccio sarà quindi diviso in quattro colonne.
2. Per iniziare il riempimento, se il primo carico è inferiore a SP1, la prima colonna appare di colore arancione, mentre le altre sono di colore rosso.
3. Se si continua a riempire la seconda volta, e il carico totale è ora maggiore o uguale a SP1 mentre è inferiore a SP2, la prima colonna appare verde, la seconda arancione, e le altre rosse.



4. Dopo di che per riempire la terza volta, se il carico totale è ora maggiore o uguale a SP2 mentre è inferiore a SP3, le prime due colonne appaiono verdi, la terza arancione, e le altre rosse.



5. Per caricare la quarta volta, se il carico totale è ora superiore o uguale a SP3 e inferiore a SP4, le prime tre colonne sono di colore verde e la quarta di colore arancione.



6. Tuttavia, se il carico totale è superiore a SP4, tutte e quattro le colonne diventano rosse e lo strumento si troverà in stato di stop.



3.6.5 Impostazioni dell'applicazione

L'applicazione può essere personalizzata in base alle preferenze dell'utente. Si prega di fare riferimento alla sezione **Impostazioni dell'applicazione** in **Modalità di pesatura** per i dettagli su come inserire le impostazioni dell'applicazione.

Le configurazioni di riempimento sono definite di seguito (default in grassetto)

Voce	Impostazioni disponibili	Commenti
Riempimento (F ILL)	Acceso , Spento	Per attivare la pesatura di riempimento

Nota: non è possibile disattivare il riempimento se si è nella modalità corrente.

4. IMPOSTAZIONI MENU

Il menu utente consente la personalizzazione delle impostazioni della bilancia.

Nota: se sono installate le Opzioni Interfaccia possono essere disponibili ulteriori sotto-menu. Consultare il manuale d'uso dell'interfaccia per le informazioni supplementari di impostazione.

4.1 Navigazione del menu

4.1.1 Menu utente

Per il modello i-DT61PW

C.A.L	S.E.t.U.P	r.E.A.d	l'Q.d.E	U.n. t	G.l'P	A.S.2.3.2	P.r. l.N.t	L.o.c.t	E.n.d
ZE-0	rESEt	rESEt	rESEt	rESEt	rESEt	rESEt	rESEt	rESEt	
SPAN	C.UN It	StAbLE	WdE IGh	kg	d.Fl'gE	bAUd	ASS IGh	L.ALL	
L INE	CAP	ZE-0	COUNt	g	dARtE	PAR ItY	StAbLE	L.OFF	
GEO	GrAd	F ILtEr	A.OPt	lb	t.Fl'gE	StOP	l'QdE	L.ZE-0	
C.t.ESt	P.ZE-0	A2t	PErCtE	oz	t INgE	H.SHAPE	t INgE	L.Pr INt	
End	P.UN It	b.L IGhE	dYNARl	lb;oz	P. Id	ALt.P	C.SUPl	L.UN It	
	A.tArE	S.SAUeR	d.tYPE	End	S. Id	ALt.t	tEPgP	L.l'QdE	
	ACCUMl	A.OFF	d.t INgE		End	ALt.2	End	L.l'gENU	
	t.CNt	P.SAUeR	A.t INgE			End		L.tArE	
	t.NEht	End	End					L.tArGE	
	End							End	

Per il modello i-DT61XWE

C.A.L	S.E.t.U.P	r.E.A.d	l'Q.d.E	U.n. t	G.l'P	A.S.2.3.2	P.r. l.N.t	I.O.	L.o.c.t	L. lb	U.S.E.r	U.S.b	E.n.d
ZE-0	rESEt	rESEt	rESEt	rESEt	rESEt	rESEt	rESEt	rESEt	rESEt	NEW	NEW	rESEt	
SPAN	C.UN It	StAbLE	WdE IGh	kg	d.Fl'gE	bAUd	ASS IGh	tYPE	L.ALL	Ed It	Ed It	tYPE	
L INE	rANGE	ZE-0	PErCtE	g	dARtE	PAR ItY	StAbLE	INPUt	L.OFF	End	End	E.l'gENU	
GEO	CAP 1	F ILtEr	dYNARl	lb	t.Fl'gE	StOP	l'QdE	1	L.ZE-0			l'gENU	
C.t.ESt	GrAd 1	A2t	d.tYPE	oz	t INgE	H.SHAPE	t INgE	INPUt	L.Pr INt			E.L lb	
End	CAP2	L IGhE	S.WdE	lb;oz	P. Id	ALt.P	C.SUPl	2	L.UN It			l.L lb	
	GrAd2	S.SAUeR	d.t INgE	End	S. Id	ALt.t	tEPgP	DUt 1	L.FUNC			E.USER	
	P.ZE-0	A.OFF	A.t INgE		End	ALt.2	End	DUt2	L.l'QdE			l.USER	
	P.UN It	L.tEY	F ILL			End		DUt3	L.l'gENU			LENGtH	
	A.tArE	End	End					DUt4	L.tArE			S.d IG It	
	ACCUMl							End	L.tArGE				
	t.bEEP								End				
	t.CL ICh												
	bP.S IG												
	L.S IGh												
	lr.FUNC												
	lr.RdJ												
	t.CNt												
	t.NEht												
	P.Wd.EN												
	P.Wd												
	End												

Nota:

alcune modalità/unità potrebbero non essere disponibili in tutti i modelli.

Quando LEGAL FOR TRADE è **acceso** (l'interruttore di blocco è nella posizione di blocco), le impostazioni del menu saranno influenzate come segue:

- Il menu di calibrazione (C.A.L.) non è accessibile.

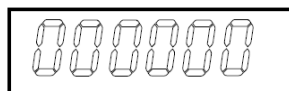
- L'impostazione della gamma di zero è bloccata al 2%.
- L'impostazione della gamma stabile è bloccata a 1d.
- L'impostazione Tracciamento Auto-Zero è bloccata a 0,5d.
- Il filtro e le unità sono bloccati alle impostazioni correnti.
- Solo Stabile è bloccato su **Acceso**.
- Stampa automatica/Continua è disabilitato.
- Lb;l'unità oz è bloccata su Spento.

4.1.2 Tasto di navigazione

- Il tasto **Yes** : consente l'ingresso nel menu visualizzato.
Accetta l'impostazione visualizzata e passa alla voce successiva.
- Il tasto **No** : rifiuta l'ingresso nel menu visualizzato.
Rifiuta il menu visualizzato e passa alla selezione successiva.
- Il tasto **Back**: fa spostare all'indietro attraverso i menu di livello superiore e medio.
Esce da un elenco di voci selezionabili e torna al precedente menu di livello medio.
- Il tasto **Exit** : esce dal menù direttamente alla modalità di pesatura attiva.

Per le voci di menu con impostazioni numeriche come Capacità, l'impostazione corrente viene visualizzata con tutte le cifre che lampeggiano. Per modificare:

1. Premere il tasto **No** per iniziare la modifica.



2. La prima cifra viene visualizzata lampeggiante.



3. Premere il tasto **No** per aumentare la cifra o premere il tasto **Yes** per accettare la cifra e passare alla successiva.



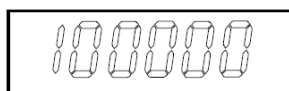
4. Ripetere questa procedura per tutte le cifre.



5. Quando l'ultima cifra è stata impostata, premere il tasto **Yes**.



6. La nuova impostazione viene visualizzata con tutte le cifre lampeggianti. Premere il tasto **Yes** per accettare l'impostazione o premere il tasto **No** per riprendere la modifica.



7. Per terminare la selezione del menu corrente, premere il tasto **Yes** per passare al menu successivo, oppure premere il tasto **No** per tornare alla parte superiore del menu corrente.

Nota: Per il modello i-DT61XWE, il valore numerico può essere immesso direttamente dal tastierino numerico.

4.2 Menu di calibrazione

Entrare in questo menu per eseguire le calibrazioni.

4.2.1 Calibrazione iniziale

Quando la bilancia viene utilizzata per la prima volta, per garantire risultati di pesatura accurati, si raccomanda una calibrazione dello zero e dell'intervallo di misura.

Prima di eseguire la calibrazione, assicurarsi di avere i pesi di calibratura appropriati come indicato nella tabella 4-1. Assicurarsi che l'interruttore LFT/blocco di calibrazione sia impostato sulla posizione sbloccata.

Oppure regolare l'impostazione GEO in base alla propria posizione.

TABELLA 4-1

Massa di calibrazione dell'intervallo richiesta (venduta separatamente)			
Max	Massa*	Max	Massa*
3000 g	3 kg / 5 lb	30000 g	30 kg / 50 lb
6000 g	6 kg / 10 lb	60000 g	60 kg / 100 lb
15000 g	15 kg/25 lb	150000 g	150 kg / 250 lb

Nota:

- Quando l'unità attiva è g o kg, l'unità di calibrazione sarà in kg.
- Quando l'unità attiva è lb, oz o lb:oz, l'unità di calibrazione sarà in lb.
- Per la calibrazione della linearità, la massa di calibrazione è fissa. Il punto medio è sempre la metà della piena capacità.

4.2.2 Calibrazione dello zero [ZE-0]

La calibrazione dello zero utilizza un punto di calibrazione. Il punto di calibrazione dello zero viene stabilito senza peso sulla bilancia. Usare questo metodo di calibrazione per regolare un diverso carico statico senza influenzare la calibrazione dell'intervallo o di linearità.

Procedure di calibrazione:

1. Premere a lungo il tasto **Menu** fino a visualizzare **C.A.L.**. Premere il tasto **Yes**.
2. Il display mostra **ZE-0**. Premere il tasto **Yes**.
3. Il display fa lampeggiare **0** kg e l'unità di calibrazione. Senza peso sul piatto, premere il tasto **Yes** per stabilire il punto zero.
4. Al termine della calibrazione, il display mostra **--C--**, e poi **-DONE-**.

Nota:

Se la calibrazione dello zero è fallita o se dopo 40 secondi la calibrazione non ha ancora avuto successo, viene visualizzato **CALE** per 3 secondi e vengono ripristinati i dati di calibrazione precedenti. La bilancia passa alla modalità di pesatura attiva e visualizza il valore del peso effettivo nell'unità di pesatura corrente.

5. Successivamente il display mostra **SPAN**. Premere il tasto **Exit** per uscire.

4.2.3 Calibrazione dell'intervallo [SPAN]

La calibrazione dell'intervallo utilizza un punto. Il punto di calibrazione dell'intervallo viene stabilito con una massa di calibrazione posta sulla bilancia.

Nota: la calibrazione dell'intervallo deve essere eseguita dopo la calibrazione dello zero.

Procedure di calibrazione:

1. Premere a lungo il tasto **Menu** fino a visualizzare **C.A.L.**. Premere il tasto **Yes**.
2. Premere brevemente il tasto **No** per navigare fino a quando non si visualizza **SPAN**. Premere il tasto **Yes**.
3. Il display lampeggia con il punto di calibrazione e l'unità di calibrazione in base alla capacità e all'unità impostata nel menu capacità. (ad es. **030.000** kg). Se non è necessario modificare il punto di calibrazione, passare al punto 5.
4. Per modificare il punto di calibrazione:
 - i-DT61PW: premere più volte brevemente il tasto **No** finché non appare la cifra desiderata. Premere brevemente il tasto **Yes** per accettare la cifra e passare alla successiva. Ripetere il processo fino a quando tutte le cifre sono corrette. Premere il tasto **Yes** per accettare il punto di calibrazione. Il display lampeggia con il punto di calibrazione impostato.

- i-DT61XWE: inserire il punto di calibrazione con i tasti numerici. (Non premere il tasto **Yes** fino al completamento del punto 5)
5. Posizionare una massa di calibrazione del peso specificato sul piatto e premere il tasto **Yes**.
 6. Al termine della calibrazione, il display mostra **--[]--**, e poi **-DONE-**.
 7. Successivamente il display mostra **L 0**. Premere il tasto **Exit** per uscire.

Nota:

- Se la calibrazione non è riuscita, **CAL E** viene visualizzato per 3 secondi e vengono ripristinati i dati di calibratura precedenti. La bilancia passa alla modalità di pesatura attiva e visualizza il valore del peso effettivo nell'unità di pesatura corrente.
- Se dopo l'attesa di 40s la calibrazione non è ancora riuscita, viene visualizzato **CAL E** per 3 secondi e vengono ripristinati i dati di calibrazione precedenti. La bilancia passa alla modalità di pesatura attiva e visualizza il valore del peso effettivo nell'unità di pesatura corrente.

4.2.4 Calibrazione della linearità [L 0]

La calibrazione della linearità utilizza 3 punti di calibrazione. Il punto di calibrazione completo viene determinato con un peso sulla bilancia. Il punto di calibrazione intermedio viene determinato con un peso pari alla metà del peso di calibrazione completo della bilancia. Il punto di calibrazione dello zero viene determinato senza peso sulla bilancia. I punti di calibrazione completo e intermedio possono essere modificati dall'utente durante la procedura di calibrazione.

Procedure di calibrazione:

1. Premere a lungo il tasto **Menu** fino a visualizzare **C.A.L.** Premere il tasto **Yes**.
2. Premere brevemente più volte il tasto **No** per navigare fino a quando non si visualizza **L 0**. Premere il tasto **Yes**.
3. Il display fa lampeggiare **0** kg e l'unità di calibrazione. Senza peso sul piatto, premere il tasto **Yes** per stabilire il punto zero.
4. Il display mostra **--[]--**, e poi si sposta per lampeggiare con il primo punto di calibrazione e unità di calibrazione in base alla capacità e all'unità impostata nel menu capacità. (Per esempio, **0 15.000** kg). Se non è necessario modificare il punto di calibrazione, passare al punto 6.
5. Per modificare il punto di calibrazione:
 - i-DT61PW: premere più volte brevemente il tasto **No** finché non appare la cifra desiderata. Premere brevemente il tasto **Yes** per accettare la cifra e passare alla successiva. Ripetere il processo fino a quando tutte le cifre sono corrette. Premere il tasto **Yes** per accettare il punto di calibrazione. Il display lampeggia con il punto di calibrazione impostato.
 - i-DT61XWE: inserire il punto di calibrazione con i tasti numerici. (Non premere il tasto **Yes** fino al completamento del punto 6).
6. Posizionare una massa di calibrazione del peso specificato sul piatto e premere il tasto **Yes**.
7. Il display mostra **--[]--**, e poi si sposta a lampeggiare con il secondo punto di calibrazione e l'unità di taratura in base alla capacità e all'unità impostata nel menu capacità. (Ad esempio, **030.000** kg).

Nota:

se dopo aver atteso 40s la calibrazione non è ancora riuscita, viene visualizzato **CAL E** per 3 secondi e vengono ripristinati i dati di calibrazione precedenti. La bilancia passa alla modalità di pesatura attiva e visualizza il valore del peso effettivo nell'unità di pesatura attualmente selezionata.

8. Ripetere i punti 5 e 6.
9. Terminata la calibrazione della linearità, il display mostra **--[]--**, e poi **-DONE-**.
10. Successivamente il display mostra **GEO**. Premere il tasto **Exit** per uscire.

4.2.5 Regolazione GEO [GEO]

Il fattore di regolazione geografica (GEO) viene utilizzato per regolare la calibrazione in base alla posizione corrente. Le impostazioni da 0 a 31 sono disponibili con 12 come impostazione predefinita.

Si prega di fare riferimento alla sezione **Tabella dei valori Geo** nel capitolo dei **Dati tecnici** per determinare il fattore GEO che corrisponde alla propria posizione.

Per impostare il fattore GEO:

1. Premere a lungo il tasto **Menu** fino a visualizzare **C.A.L.** Premere il tasto **Yes**.

2. Premere brevemente più volte il tasto **No** per navigare fino a quando non si vede **GEO**. Premere il tasto **Yes**.
3. Il display lampeggia con il punto Geo (ad esempio, **12**).
4. Premere più volte brevemente il tasto **No** fino a quando non appare il numero GEO desiderato. Premere il tasto **Yes** per terminare l'impostazione.
5. Successivamente il display mostra **CESEt**. Premere il tasto **Exit** per uscire.

4.2.6 Test di calibrazione [CESEt]

Procedure del test di calibrazione:

1. Premere a lungo il tasto **Menu** fino a visualizzare **CAL**. Premere il tasto **Yes**.
2. Premere brevemente più volte il tasto **No** per navigare fino a quando non si visualizza **CESEt**. Premere il tasto **Yes**.
3. Il display lampeggia con **0** e l'unità di calibrazione in base alla capacità e all'unità impostata nel menu capacità. Senza peso sul piatto, premere il tasto **Yes** per stabilire il punto zero.
4. Mentre il punto zero viene registrato, il display mostra **--t--**.
5. Il display lampeggia con il peso di calibrazione e l'unità dell'ultima volta. (Per esempio, **0 15.000** kg).
6. Per modificare il peso di calibrazione di prova:
 - i-DT61PW: premere più volte brevemente il tasto **No** finché non appare la cifra desiderata. Premere brevemente il tasto **Yes** per accettare la cifra e passare alla successiva. Ripetere il processo fino a quando tutte le cifre sono corrette. Premere il tasto **Yes** per accettare il punto di calibrazione.
 - i-DT61XWE: premere i tasti numerici per modificare il peso. (Non premere il tasto **Yes** fino al completamento del punto 7).
7. Posizionare il peso di prova specificato sul piatto e premere il tasto **Yes**.
8. Il display lampeggia segnalando la differenza tra i dati di calibrazione e il peso di prova (test). (Per esempio, **0.0 10** kg). Se il terminale è collegato ad una stampante o ad altri dispositivi, il risultato del Test di Calibrazione potrà essere stampato.
9. Dopo 5 secondi, il test termina e la bilancia torna alla modalità di pesatura attiva con l'indicazione del peso corrente.

4.2.7 End Cal [Fine]

Quando viene visualizzato **End**, premere il tasto **Yes** per uscire da questo menu e passare al sottomenu successivo o premere il tasto **No** per passare alla prima voce di menu del sottomenu.

4.3 Menu di impostazione

Entrare in questo menu **5.E.E.U.P** per impostare i parametri della bilancia. Le impostazioni predefinite sono indicate in **grassetto**.

Per il modello i-DT61PW

Menu	Sottomenu	Sottomenu (nel segmento)	Opzioni	Opzioni (nel segmento)
Impostazione 5.E.E.U.P	Reset	rESEt	no, sì	NO, YES
	Unità di capacità	C.UNIt	kg, lb, t, g	/
	Capacità	CRP	1-999999	/
	Graduazione	GrAd	0.0001~100	/
	Azzeramento bilancia all'accensione	P.ZEr0	Spento, Acceso	OFF, ON
	Unità all'accensione	P.UNIt	Automatico , g, kg, lb, oz, lb:oz, t	AUTO
	Auto Calibrazione	A.LArE	Spento , Acceso, Accetta	OFF, ON, ACCEPT
	Accumulo	ACCUM	Spento , Automatico, Manuale, Accetta	OFF, MANUAL, AUTO, ACCEPT
	Contatore delle transazioni	t.Cnt	Spento, Acceso	OFF, ON
	Prossima transazione	t.NEXT	1-999999	/
	Fine	End	\	/

Per il modello i-DT61XWE

Menu	Sottomenu	Sottomenu(nel segmento)	Opzioni	Opzioni (nel segmento)
Impostazione 5.E.E.U.P	Reset	rESEt	no, sì	NO, SI
	Unità di capacità	C.UNIt	kg, libbre	/
	Intervallo	r.RNGE	Singolo , doppio	SINGLE, DUAL
	> 1 < Capacità	CRP1	1-999999	/
	> 1 <Graduazione	GrAd1	0.0001~100	/
	> 2 < Capacità [Intervallo=Doppio]	CRP2	1-999999	/
	> 2 <Graduazione [Intervallo=Doppio]	GrAd2	0.0001~100	/
	Azzeramento bilancia all'accensione	P.ZEr0	Spento, Acceso	OFF, ON
	Unità all'accensione	P.UNIt	Auto , g, kg, lb, oz, lb:oz	AUTO
	Auto Calibrazione	A.LArE	Spento , Acceso, Accetta	OFF, ON, ACCEPT
	Accumulo	ACCUM	Spento , Automatico, Manuale, Accetta	OFF, MANUAL, AUTO, ACCEPT
	Segnale acustico	t.bEEP	Spento, Acceso	OFF, ON
	Tipo di click	t.CLICK	singolo , doppio	SINGLE, DOUBLE
	Segnale acustico di controllo	bP.SIG	spento , sotto, sopra, accetta, sotto-sopra	OFF, UNDER, OVER, ACCEPT, UN-OV
	Segnale luminoso di controllo	L.SIGN	blocco , barra, segmento	BLOCK, BAR, SEGMENT
Funzione IR	Ir.FUNC	Disp , Zero, Calibrazione,	DISP, ZEr0,	

			Stampa	ÈAR-E, Pr INÈ
	Regolazione IR	Ir.Add	SPENTO, BASSO, ALTO	OFF, LOW, HI
	Contatore delle transazioni	t.CNT	Spento, Acceso	OFF, ON
	Prossima transazione	t.NEXT	1-999999	/
	Abilitazione password	PLWD.EN	Off, On	OFF, ON
	Fine	End	\	

Reset [rESEt]

Si ripristina il menu Setup ai valori predefiniti in fabbrica.

NO = non azzerare

YES = azzerare

Unità di capacità [C.UN t]

Si seleziona l'unità utilizzata per la calibrazione.

t (Tonnellata metrica)

g

kg

lb

Nota: t e g non sono disponibili per il modello i-DT61XWE.

Intervallo [r-RANGE]

Nota: questa impostazione è disponibile solo per il modello i-DT61XWE.

Impostazione del numero di intervalli di pesatura.

Questo terminale può essere configurato per utilizzare l'intervallo singolo o doppio. Ad ogni intervallo può essere assegnata una propria graduazione. Se si seleziona l'intervallo doppio, la graduazione cambia quando il peso raggiunge il secondo intervallo.

Quando si seleziona l'intervallo **Singolo**, sono disponibili i parametri aggiuntivi:

>|1|< Capacità

>|1|< Graduazione

Quando si seleziona l'intervallo **doppio**, il terminale funziona con due intervalli, ciascuno con la propria capacità e graduazione. Oltre ai parametri di capacità Intervallo 1 e di graduazione, sono disponibili i seguenti due parametri:

>|2|< Capacità

>|2|< Graduazione

Capacità [CAP] / Capacità1 [CAP 1]

Si imposta la capacità della bilancia o la capacità della prima bilancia (per il modello i-DT61XWE).

1...999999

Grad [GrAd] / Grad1 [GrAd 1]

Si imposta la leggibilità della bilancia o la leggibilità della prima bilancia per il modello i-DT61XWE da 0,0001 a 100.

0.0001~100

Capacità2 [CAP2]

Si imposta la capacità della seconda bilancia per il modello i-DT61XWE.

Grad2 [GrAd2]

Si imposta la leggibilità della seconda bilancia per il modello i-DT61XWE.

Azzeramento della bilancia all'accensione [P.ZEr0]

Si azzerà la bilancia all'accensione.

OFF = disattivato.

ON = attivato.

Unità all'accensione [P.ON U]

Si imposta l'unità che verrà visualizzata all'accensione.

RUED	= ultima unità in uso quando spenta
kg	= chilogrammi
g	= grammi
lb	= libbre
oz	= once
lb:oz	= libbra once
t	= tonnellata metrica (disponibile solo per modello i-DT61PW)

Auto Calibrazione [A.LAR-E]

Si imposta la funzione di calibrazione automatica.

OFF	= la calibrazione automatica è disabilitata.
ON	= il primo peso lordo stabile è calibrato.
ACCEPT	= i pesi lordi stabili entro i limiti accettabili sono calibrati (in modalità Check)

Accumulo [ACCUM]

Si imposta la funzionalità di accumulo.

OFF	= l'accumulo è disabilitato.
RUED	= esegue l'accumulo automaticamente.
MAN	= esegue l'accumulo manualmente.
ACCEPT	= esegue l'accumulo quando i pesi rientrano nei limiti accettabili (in modalità Check).

Nota: Per i dettagli sull'accumulo, fare riferimento alla sezione **Accumulo e statistiche** nella sezione **Modalità di pesatura**.

Contatore di transazioni [T.CN]

Il contatore delle transazioni è un contatore a sette cifre che traccia il totale delle transazioni. Quando il valore raggiunge 9.999.999, la transazione successiva provoca un roll-over a 0000001.

OFF	= il contatore delle transazioni non aumenterà.
ON	= il contatore delle transazioni aumenterà con la voce di menu aggiuntiva Transazione Successiva disponibile.

Nota: se il contatore delle transazioni è impostato su ACCESO, il numero del conteggio aumenterà quando si preme il tasto **Print**.

Contatore di transazioni successive [T.NEN]

Si imposta il valore della visualizzazione della transazione successiva nel campo Transazione Successiva
1~999999

Segnale Acustico alla pressione di un tasto [T.BEEP]

Si imposta se il segnale acustico è abilitato quando si preme un tasto.

OFF	= nessun suono
ON	= suono

Nota: questa impostazione è disponibile solo per il modello i-DT61XWE.

Tipo di click [T.CL IC]

SINGLE	= un solo clic sul tasto per eseguire l'operazione.
DOUBLE	= doppio clic sul tasto per eseguire l'operazione.

Nota: questa impostazione è disponibile solo per il modello i-DT61XWE.

Segnale acustico [bP.S IG]

Si imposta la condizione per il segnale acustico in modalità Controllo Pesatura.

OFF	= il segnale acustico è disabilitato.
UNDER	= il segnale acustico è attivato quando il peso è inferiore al valore minimo impostato.
OVER	= il segnale acustico è abilitato quando il peso è superiore al valore massimo impostato.

- ACCEPT** = il segnale acustico è attivato quando il peso è all'interno dell'intervallo accettabile impostato.
- ON-OFF** = il segnale acustico viene attivato quando il peso è al di sotto del valore minimo o al di sopra del valore massimo impostato.

Nota: questa impostazione è disponibile solo per il modello i-DT61XWE.

Segnale luminoso di controllo [L.S. ION]

Si imposta la modalità di visualizzazione del display in modalità Check per il peso superiore, inferiore e accettabile.


- BLOCK** = la luce viene mostrata in blocchi.
- BAR** = la luce viene mostrata in barre.
- SEGMENT** = la luce viene mostrata in segmenti.

Nota: questa impostazione è disponibile solo per il modello i-DT61XWE.

Funzione IR [Ir.FUNC]

Si definisce il funzionamento del sensore di radiazione infrarosso.

- ZERO** = la bilancia esegue l'operazione zero che equivale alla pressione del tasto **Zero**.

- CAL** = la bilancia esegue l'operazione di calibrazione che equivale alla pressione del tasto 

- Print** = la bilancia esegue un'operazione di stampa che equivale alla pressione del tasto **Print**.

- DISPLAY** =accende la retroilluminazione.

Muovere la mano davanti all'icona  sul pannello di controllo per eseguire l'operazione impostata.

Nota: questa impostazione è disponibile solo per il modello i-DT61XWE.

Regolazione IR [Ir.ADJ]

Si definisce la distanza di risposta del sensore di radiazione infrarosso.

- OFF** = il sensore IR è disabilitato.
- LOW** = il sensore risponderà entro 50mm/2 pollici.
- HIGH** = il sensore risponderà entro 100mm/4 pollici.

Nota: questa impostazione è disponibile solo per il modello i-DT61XWE.

Abilita password [P.W.D.EN]

Si definisce se è necessaria la password per accedere al menu. Quando è acceso, è necessario inserire la password ogni volta che si entra nel menu.

- OFF** = per disattivare la funzione di password.
- ON** = per abilitare la funzione di password

Password [P.W.D.]

Questo sotto-menu apparirà solo quando il menu Abilita password è selezionato come acceso.

Il display lampeggia con **_**, inserire la nuova password attraverso la tastiera numerica. Premere il tasto **CLR** per modificare gli inserimenti. Al termine, premere il tasto **Yes**.

Fine dell'installazione [END]

Avanzare al menu successivo o tornare all'inizio del menu corrente.

4.4 Menu lettura schermo

Entrare in questo menu per impostare le preferenze dell'utente. Le impostazioni predefinite sono in **grassetto**.

Menu	Sottomenu	Sottomenu (nel segmento)	Opzioni	Opzioni (nel segmento)
Letture schermo (r.E.R.d.)	Reset	rESEt	no, sì	NO , YES
	Stabilità	StABLE	0,5d, 1d , 2d, 5d	0.5d , 1d, 2d, 5d
	Intervallo zero	ZErO	2%, 100%	2 , 100
	Livello del filtro	F ILTEr	Basso, Medio , Alto	LOW Med , HIGH
	Tracciamento automatico dello zero	AZt	Spento, 0,5d , 1d, 3d	OFF , 0.5d, 1d, 3d
	Livello di luminosità (i-DT61XWE)	L IGHt	Basso, Medio , Alto	Med , HIGH, LOW
	Retroilluminazione (i-DT61PW)	b.L IGHt	Spento , Acceso, Automatico	OFF , ON, AUTO
	Schermo	S.SAUEr	Spento, 1min, 2min, 5min (i-DT61PW) Spento, 5min, 10min, 30min (i-DT61XW)	OFF , 1, 2, 5 (i-DT61PW) OFF , 5, 10, 30 (i-DT61XW)
	Spegnimento automatico	A.OFF	Spento , 5min, 10min, 30min	OFF , 5, 10, 30
	P.SAVE (i-DT61PW)	P.SAUEr	ACCESO , SPENTO	ON , OFF
	L.KEY (i-DT61XWE)	L.FEy	Spento , 0.5min, 1min, 1min, 2min, 5min	OFF , 0.5, 1, 2, 5
	Fine	End	\	

Reset [rESEt]

Si azzerà il menu di lettura ai valori predefiniti in fabbrica.

- NO** = nessun azzeramento.
YES = azzeramento

Stabilità [StABLE]

Si imposta la quantità di possibile variazione della lettura prima che il simbolo di stabilità si spenga.

- 0.5d** = 0,5 divisione della bilancia
1d = 1 divisione della bilancia
2d = 2 divisione della bilancia
5d = 5 divisione della bilancia

Zero [ZErO]

Si imposta la percentuale di capacità della bilancia che può essere azzerata.

- 2%** = l'intervallo zero è +/-2%
100% = l'intervallo zero è +/-100%

Filtro [F ILTEr]

Si imposta la quantità di filtraggio del segnale.

- LOW** = tempo di stabilizzazione più veloce con meno stabilità.
Med = tempo di stabilizzazione normale con stabilità normale.
HIGH = tempo di stabilizzazione più lento con maggiore stabilità.

AZT [AZt]

Si imposta la funzionalità di inseguimento automatico dello zero.

- OFF** = disabilitato
0.5d = il display manterrà lo zero fino al superamento di una variazione di 0,5 divisioni al secondo.

- 1d = il display manterrà lo zero fino al superamento di 1 divisione al secondo.
 3d = il display manterrà lo zero fino al superamento di 3 divisione al secondo.

Livello di luminosità [L IGHE]

Si imposta il livello di luminosità del display

- L0L0 = Il livello di luminosità è basso
 P7Ed = il livello di luminosità è medio
 H IGK = il livello di luminosità è alto

Nota: questa impostazione è disponibile solo per il modello i-DT61XWE.

Retroilluminazione [b.L IGHE]

Si imposta la funzionalità di retroilluminazione del display.

- OFF = la retroilluminazione è disabilitata.
 ON = la retroilluminazione è abilitata.
 RWL0 = la retroilluminazione è disabilitata dopo 5 secondi di assenza di attività.

Nota: questa impostazione è disponibile solo per il modello i-DT61PW.

Schermo [SC-EEH]

Si imposta se il salvaschermo sarà abilitato dopo il periodo di tempo selezionato.

Per i-DT61PW:

- OFF = il salvaschermo è disabilitato
 1 = il salvaschermo è abilitato dopo 1 minuto di assenza di attività.
 2 = il salvaschermo è abilitato dopo 2 minuti di assenza di attività.
 5 = il salvaschermo è abilitato dopo 5 minuti di assenza di attività.

Per i-DT61XWE:

- OFF = il salvaschermo è disabilitato
 5 = il salvaschermo è abilitato dopo 5 minuti di assenza di attività.
 10 = il salvaschermo è abilitato dopo 10 minuti di assenza di attività.
 30 = il salvaschermo è abilitato dopo 30 minuti di assenza di attività.

Blocco Tasti [L-LEY]

Si imposta il blocco di tutti i tasti dopo il periodo di tempo selezionato.

- OFF = disabilitato
 0.5 = i tasti sono bloccati dopo 30 secondi di assenza di attività.
 1 = i tasti sono bloccati dopo 1 secondo di assenza di attività.
 2 = i tasti sono bloccati dopo 2 secondi di assenza di attività.
 5 = i tasti sono bloccati dopo 5 secondi di assenza di attività.

Spegnimento automatico [A.OFF]

Si imposta se il display entrerà in modalità sleep dopo il periodo di tempo selezionato.

- OFF = disabilitato
 5 = il display entra in modalità sleep dopo 5 minuti di assenza di attività.
 10 = il display entra in modalità sleep dopo 10 minuti di assenza di attività.
 30 = il display entra in modalità sleep dopo 30 minuti di assenza di attività.

P.SALVA AVE [P.SAJEA]

Si imposta se abilitare o meno la modalità di risparmio energetico dopo che la bilancia è entrata in modalità standby.

- ON = il risparmio energetico è abilitato.
 OFF = il risparmio energetico è disabilitato.

Nota: questa impostazione è disponibile solo per il modello i-DT61PW.

Fine lettura [Ehd]

Si avanza al menu successivo o si torna all'inizio del menu corrente.

4.5 Menu unità

Entrare in questo menu **u.n. 1.7** per attivare le unità desiderate.

Reset

Grammo (g)

Chilogrammo (kg)

Libbra (libbra)

Oncia (oz)

Libbra:Oncia (lb:oz)

Tonnellata (t) (disponibile solo per il modello i-DT61PW)

Fine

Nota:

- Nel rispetto di leggi nazionali, l'indicatore potrebbe non includere alcune delle unità elencate.
- Se l'Interruttore di sicurezza è acceso, le unità sono bloccate alle loro impostazioni correnti.
- Le unità disponibili variano in base al modello e alle normative locali.

4.6 Menu GLP/GMP

Entrare in questo menu per impostare i dati delle Buone Pratiche di Laboratorio (BPL) o delle Buone Pratiche di Fabbricazione (GMP).

Reset [rE5E4]

Se viene selezionato e confermato il Reset, tutti i valori del sottomenu saranno impostati come predefiniti.

Formato dei dati [d.F774]

Si imposta il formato della data.

MGA [7774] = Mese.giorno.anno

GMA [d774] = Giorno.Mese.Anno

AMG [777d] = Anno.Mese.Giorno

Data [dA4E]

Si imposta la data in base al precedente formato di data impostato.

Ad esempio, se si imposta AMG (Anno. Mese. Giorno) per il formato Data e i dati da inserire sono 2020/4/17.

Allora, impostare la data come: 20.04.17 (Anno. Mese. Giorno)

Formato ora [4.F774]

Si imposta il formato dell'ora.

24 ore = formato 24 ore.

12 ore = formato 12 ore.

Ora [4.77E]

Si imposta l'ora.

Formato 24 ore

da 00 a 23 = posizione ora

da 00 a 59 = posizione minuto

Formato 12 ore:

da 00 a 12 = posizione ora

da 00 a 59 = posizione minuto

Per informazioni su come inserire il numero dell'orario, fare riferimento alla seguente sezione ID del progetto per i dettagli.

Nota: per il modello i-DT61XWE non è possibile utilizzare la tastiera numerica per inserire l'ora.

ID del progetto [P. Id]

Si imposta il numero di identificazione del progetto.

Per impostare il numero, premere più volte brevemente il tasto **No** fino a quando non appare il numero desiderato. Premere brevemente il tasto **Yes** per accettare il numero e passare alla cifra successiva. Ripetere il processo fino a quando tutte le cifre sono corrette. Premere il tasto **Yes** per accettare il valore.

Per il modello i-DT61XWE, è possibile inserire l'ID del progetto attraverso la tastiera numerica.

ID bilancia [5. Id]

Si imposta l'identificazione del progetto.

Si prega di fare riferimento alla sezione **ID del progetto** su come impostare il numero.

Per il modello i-DT61XWE, è possibile inserire l'ID della bilancia attraverso la tastiera numerica.

Fine [End]

Si avanza al menu successivo o si torna all'inizio del menu corrente.

4.7 Comunicazione

Entrare in questo menu per definire i metodi di comunicazione esterna e per impostare i parametri di stampa. I dati possono essere inviati a una stampante o a un PC.

Le impostazioni predefinite di fabbrica sono indicate in grassetto.

4.7.1 Menu RS232

Entrare in questo menu per definire i parametri di comunicazione.

Nota: Il secondo RS232 è disponibile solo per il modello i-DT61XWE.

Menu	Sottomenu	Sottomenu (nel segmento)	Opzioni	Opzioni (nel segmento)
RS232 [r. 5.2.3.2] / 2° PORTA SERIALE [2.5.E.r. 1.A]	Velocità di trasmissione	bAUD	300, 600, 1200, 2400, 4800, 9600 , 19200, 38400, 57600	/
	Parità	PARITY	7 Pari, 7 Dispari, 7 Nessuna, 8 Nessuna	7 Even, 7 Odd, 7 NONE, 8 NONE
	Bit di arresto	STOP	1 bit , 2 bit	/
	Handshake	HSHAKE	Nessuna , Xon/Xoff	NONE, ONOFF
	Alt Print CMD	ALT.P	'A' ~ 'Z', P	/
	Alt Tare CMD	ALT.T	'A' ~ 'Z', T	/
	Alt Zero CMD	ALT.Z	'A' ~ 'Z', Z	/
	Reset	rESEt	\	/
End	End	\	/	

Reset [rESEt]

Si ripristina il menu RS232 ai valori predefiniti in fabbrica.

no = nessun azzeramento.

yes = azzeramento

Velocità di trasmissione [bAUD]

Si imposta la velocità di trasmissione (bit al secondo).

300 = 300 bps

600 = 600 bps

1200 = 1200 bps

2400 = 2400 bps

4800 = 4800 bps

9600 = 9600 bps

19200 = 19200 bps

38400 = 38400 bps
 57600 = 57600 bps

Parità [PARITY]

Si impostano i bit di dati e la parità.

7 EVEN = 7 bit di dati, parità pari
 7 ODD = 7 bit di dati, parità dispari
 7 NONE = 7 bit di dati, nessuna parità
 8 NONE = 8 bit di dati, nessuna parità

Bit di arresto [STOP]

Si imposta il numero di bit di arresto.

1 = 1 bit di arresto
 2 = 2 bit di arresto

Handshake [HANDSHAKE]

Si imposta il metodo di controllo del flusso. L'handshaking dell'hardware è disponibile solo per il menu COM1.

NONE = nessun handshaking
 DTR DSR = handshaking del software XACCESO/XSPENTO

Comando di stampa alternata [ALT.P]

Si imposta il carattere di comando alternativo per la Stampa.

Sono disponibili le impostazioni da A (a) a Z (z). L'impostazione predefinita è P.

Comando Calibrazione alternata [ALT.C]

Si imposta il carattere di comando alternativo per la Calibrazione.

Sono disponibili le impostazioni da A(a) a Z(z). L'impostazione predefinita è T.

Comando di Zero alternato [ALT.Z]

Si imposta il carattere di comando alternato per lo Zero.

Sono disponibili le impostazioni da A (a) a Z (z). L'impostazione predefinita è Z.

Fine [End]

Si avanza al menu successivo o si torna all'inizio del menu corrente.

4.7.2 Menu stampa

Entrare in questo menu per impostare i parametri di stampa. Le impostazioni predefinite sono in **grassetto**.

Menu	Sottomenu	Sottomenu (nel segmento)	Opzioni	Opzioni (nel segmento)
Stampa (P.r. 1.0.1.1)/ 2 ^a Stampa(P.r. 1.0.1.2)	Assegnazione	ASS ION	Domanda , Auto On Stable, Auto On Accept, Intervallo (secondi), MT-Continuo, OH-Continuo, SICS	dEPION , ON.StAb, ON.ACCEP, INtEr, OH.CON, S ICS
	Solo Peso stabile solo [Domanda]	StAbLE	Spento , Acceso(LFT Force On)	OFF , ON
	Modalità [Auto On Stable]	MODdE	Carico , carico e zero	LOAD , LOAD:Zr
	Tempo [Intervallo (secondi)]	t IONtE	1~50000	/
	Checksum [MT-Continua]	C.SUMm	Acceso, Spento	ON, OFF
	Modello	tEPmP	Semplice , Personalizzato 1, Personalizzato 2, Personalizzato 3, Personalizzato 4, Personalizzato 5	S IONP , CUS1, CUS2, CUS3, CUS4, CUS5
	Reset	rESEt	\	/
Fine	End	\	/	

Reset [rESEt]

Si ripristina il menu Stampa ai valori predefiniti in fabbrica

- ON = nessun azzeramento.
 YES = azzeramento

Assegnazione [ASS ION]

Domanda [dEPION]

Se si seleziona **Domanda**, viene visualizzato il sottomenu **Solo stabile**.

Impostare i criteri di stampa.

- OFF** = i valori vengono stampati immediatamente, indipendentemente dalla stabilità.
ON = i valori vengono stampati solo quando sono soddisfatti i criteri di stabilità.

Auto On Stable [ON.StAb]

Se si seleziona **Auto On Stable**, viene visualizzato il sottomenu **Modalità**.

Si imposta la modalità di stampa.

- LOAD** = stampa quando il carico visualizzato è stabile.
LOAD:Zr = stampa quando il carico visualizzato e la lettura dello zero sono stabili.

Auto On Accept [ON.ACCEP]

Se si seleziona **Auto On Accept** e la modalità di pesatura è **Check**, i valori vengono stampati quando il peso viene accettato.

ON.ACCEP = la stampa avviene ogni volta che il display rientra nell'intervallo accettabile e i criteri di stabilità sono soddisfatti.

Intervallo [INtEr]

Se si seleziona **Intervallo**, viene visualizzato il sottomenu **Tempo**.

ἰἠἔἘῖ = la stampa avviene nell'intervallo di tempo definito.

L'intervallo di tempo può essere impostato tramite il tastierino numerico.
Sono disponibili impostazioni da 1 a 50000 secondi. Il valore predefinito è 1.
La stampa avviene nell'intervallo di tempo definito.

MT-Continuo [ἰἠἔ.Ἐἠἠ]

Se si seleziona **MT-Continuo**, l'output di stampa sarà nel formato **MT-Continuo**.

ἰἠἔ.Ἐἠἠ = la stampa avviene in modalità continua.

Nota: fare riferimento all'Appendice A per il formato **MT-Continuo**.

Ἐ.ἠἠἠἠ

Spento = disattivato

Acceso = abilitato

OH-Continuo [ἠἠ.Ἐἠἠ]

Se si seleziona **OH-Continuo**, l'output di stampa sarà nel formato **OH-Continuo**.

Nota: fare riferimento all'Appendice A per il formato **OH-Continuo**.

ἠἠ.Ἐἠἠ = la stampa avviene in modalità continua.

SICS [ἠ ἠἘἠ]

ἠἠἠ = disabilita il comando MT-SICS

ἠἠ = abilita il comando MT-SICS

Nota: fare riferimento all'Appendice B per i comandi **SICS**.

Fine stampa [Ἐἠἠ]

Si avanza al menu successivo o si torna all'inizio del menu corrente.

Modello [ἔἘἠἠἠ]

Questo sottomenu viene utilizzato per definire il formato dei dati da inviare ad una stampante o ad un computer.

ἠ ἠἠἠἠ = stampa solo il risultato e l'unità

Ἐἠἠἔ 1 = formato di stampa personalizzato.

Ἐἠἠἔ 2 = formato di stampa personalizzato.

Ἐἠἠἔ 3 = formato di stampa personalizzato.

Ἐἠἠἔ 4 = formato di stampa personalizzato.

Ἐἠἠἔ 5 = formato di stampa personalizzato.

Esempio di modello di stampa:

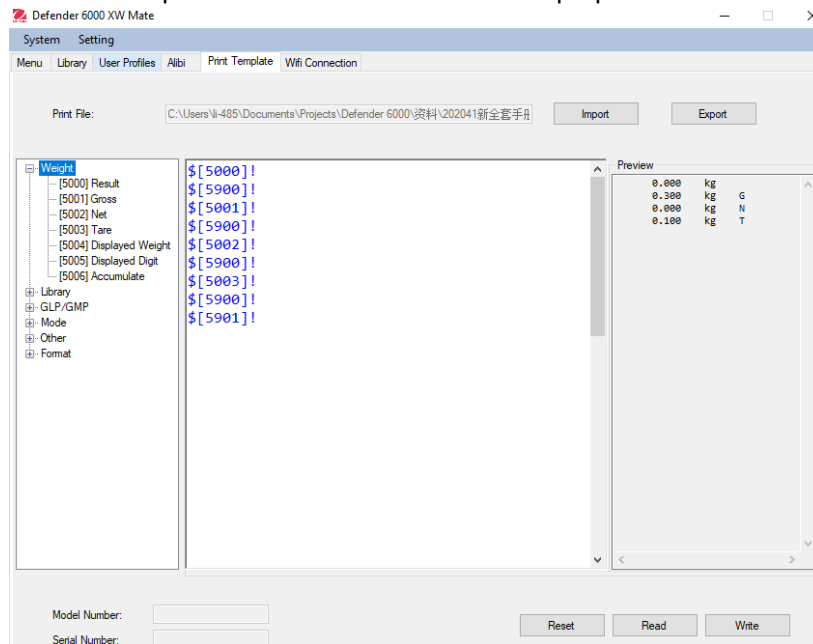
0.000 kg

0,300 kg G

0,000 kg N

0,100 kg T

Per personalizzare il modello di stampa, è necessario andare al software ScaleMate, selezionare **Modello di stampa** sulla barra in alto, e poi fare doppio clic sulle voci nella colonna di sinistra per selezionare quelle che si desidera inserire nel proprio modello di stampa.



In alternativa, è anche possibile inserire le voci nella colonna centrale direttamente per personalizzarli, utilizzando il formato $\$[XXXX]!$. XXXX si riferisce al numero di indice di ogni articolo stampato, si prega di controllare la seguente tabella per il numero di indice di ogni articolo.

Numero indice	Stampa articoli
5000	Risultato
5001	Lordo
5002	Net
5003	Tara
5004	Peso visualizzato
5005	Cifra visualizzata
5006	Accumulato
5100	ID
5101	PN
5102	Nome Lib
5200	Data
5201	Tempo
5202	ID del progetto
5203	ID bilancia
5204	ID utente
5205	ID transazione
5300	Modalità
5301	Informazioni
5302	Target
5400	ID alibi
5401	Stato dell'ingresso
5402	Stato dell'uscita
5403	SN
5900	NewLine
5901	Fine

Nota: per le altre funzioni di ScaleMate, si prega di contattare un rivenditore autorizzato per ottenere le istruzioni del software.

4.7.3 Configurazione RS485

Fare riferimento alla configurazione RS485 nel manuale di *istruzioni dell'interfaccia Defender® 6000 RS232/RS485/USB*.

4.7.4 Configurazione Ethernet

Fare riferimento alla configurazione nel *manuale di istruzioni dell'interfaccia Ethernet Defender® 6000*.

4.7.5 Configurazione analogica

Si prega di fare riferimento alla configurazione analogica nel manuale di istruzioni della configurazione analogica del Defender® 6000.

4.8 Memoria

Il menu Memoria è diverso per i-DT61PW e i-DT61XWE. Si prega di controllare le seguenti sezioni per i dettagli.

4.8.1 Menu della memoria (per il modello i-DT61PW)

Stato [STATUS]

Per attivare o disattivare la funzione di memoria.

OFF = per disabilitare la funzione di memoria.

ON = per abilitare la funzione di memoria. Premere il tasto **Stampa** per salvare i dati di pesatura.

Esporta [EXPORT]

Per esportare i dati di pesatura.

NO = l'esportazione dei dati di pesatura è disabilitata.

YES = l'esportazione dei dati di pesatura è abilitata.

Cancella [DELETE]

Per cancellare i dati di pesatura.

NO = per non cancellare i dati di pesatura

YES = per cancellare i dati di pesatura

4.8.2 Memoria USB (per il modello i-DT61XWE)

La memoria USB viene utilizzata per memorizzare le letture del peso per riferimenti futuri. Collegando una chiavetta USB alla bilancia, le letture del peso possono ora essere memorizzate direttamente sulla chiavetta USB.

Nota: questo menu è visibile solo dopo il riconoscimento di una chiavetta USB.

I dati saranno memorizzati nella flash drive nella seguente posizione:

SYSTEM\DATA

Mensilmente verrà creato un nuovo file (un file txt memorizza i dati di uscita di un mese intero...). Il nome del file txt sarà anno più mese.TXT. Ad esempio, il nome del file txt per il 2020.6 sarà **202006.TXT**.

Per attivare la memoria USB:

1. Dopo aver inserito una chiavetta USB, premere a lungo il tasto **Menu** fino a visualizzare **C.A.L.**
2. Premere brevemente più volte il tasto **No** per navigare fino a quando non si vede **MEM.** Premere il tasto **Yes**.
3. Premere brevemente il tasto **No** per navigare fino a quando non si vede **USB**. Premere il tasto **Yes**.
4. Il display lampeggia con **ON**. Premere il tasto **Yes** per abilitare.
5. Appare il sottomenu Link su **CL (M)**. Premere il tasto **Yes** per abilitare.
6. Successivamente appare il sotto-menu con le selezioni dell' RS232 **(RS232)**, 2° Seriale **(2SER IA)** ed Ethernet **(Ethernet)**. Scegliere quello desiderato e premere il tasto **Yes**.
7. Il display mostra **END**. Premere il tasto **Yes**. Il display mostra il menu successivo. Premere il tasto **Exit** per uscire.

4.8.3 Memory Alibi (per il modello i-DT61XWE)

Nota: questo menu è visibile solo se è stata installata l'opzione hardware della memoria Alibi. Vedere sotto per le istruzioni di installazione.

La memoria Alibi viene utilizzata per memorizzare la storia del peso come riferimento. Ogni record Alibi contiene quanto segue:

- ID
- Peso lordo/netto, peso tara e unità di peso
- Data e ora

Per controllare i record Alibi, è necessario installare il software ScaleMate. Si prega di contattare un rivenditore autorizzato per ottenere il software

Il numero massimo di record è 262112.

Quando la memoria è piena e viene memorizzato un altro record, il primo record viene automaticamente cancellato. A questo punto apparirà un messaggio di avviso che chiede la conferma dell'utente.

4.8.3.1 Abilitazione Alibi

Per abilitare:

8. Dopo aver installato l'hardware, premere a lungo il tasto **Menu** fino a visualizzare **C.R.L.**
9. Premere più volte brevemente il tasto **No** per navigare fino a quando non si vede **ALIBI**. Premere il tasto **Yes**.
10. Premere brevemente il tasto **No** per navigare fino a visualizzare **ALIBI**. Premere il tasto **Si**.
11. Il display lampeggia con **ALIBI**. Premere il tasto **Yes** per attivare l'Alibi.
12. Il display mostra **ALIBI**. Premere il tasto **Yes**. Il display mostra il menu successivo **ALIBI**. Premere il tasto **Exit** per uscire.

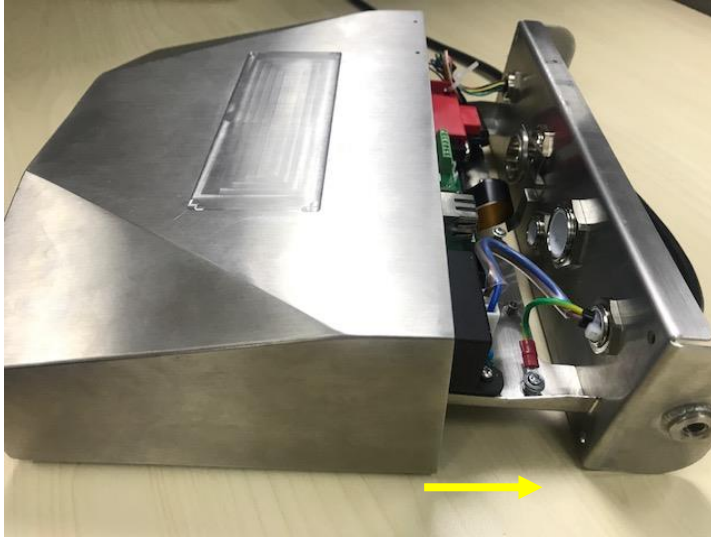
4.8.3.2 Installazione di Alibi

Per installare:

1. Spegner e scollegare il terminale. Scollegare il terminale con un piatto di pesatura se è collegato ad uno di essi.
2. Posizionare il terminale verso il basso e svitare le viti contrassegnate nella seguente grafica.



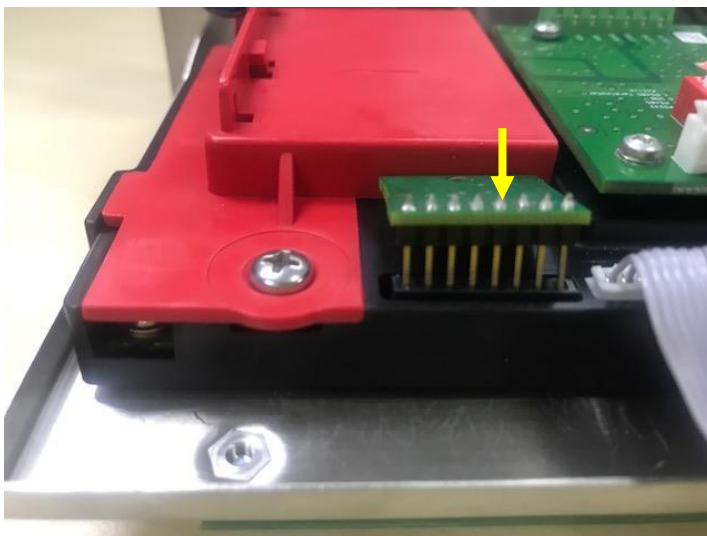
3. Estrarre il fondo del terminale.



4. Estrarre la scheda di memoria Alibi e prepararsi ad installarla nella posizione cerchiata.



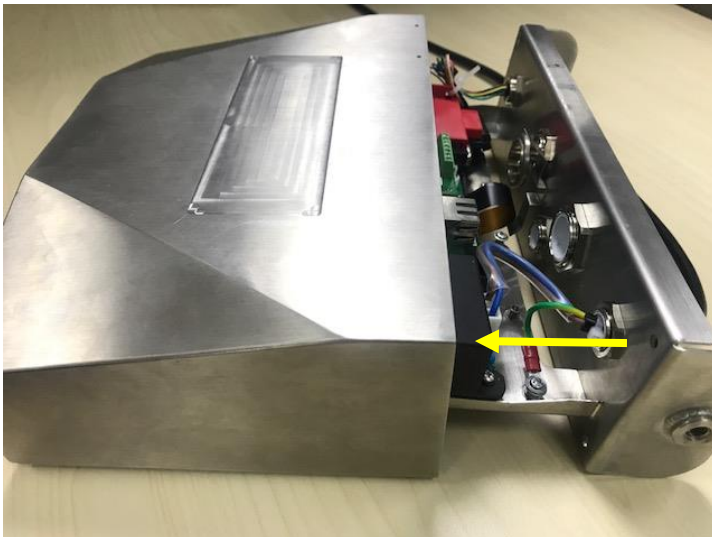
5. Inserire la scheda di memoria Alibi nello slot come indicato di seguito. Si prega di assicurarsi che i perni siano inseriti correttamente.



6. Usare un cacciavite per stringere la vite e assicurarsi che la scheda di memoria Alibi sia installata correttamente.

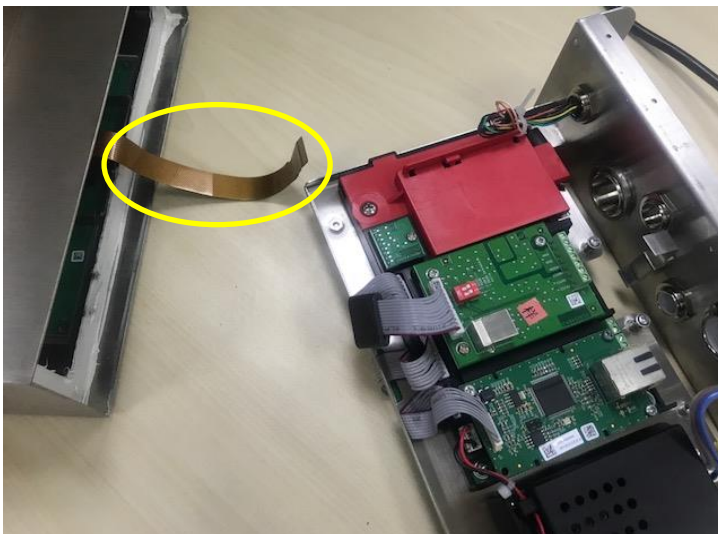


7. Tirare il fondo del terminale e assicurarsi che tutte le viti contrassegnate al punto 2 siano serrate.

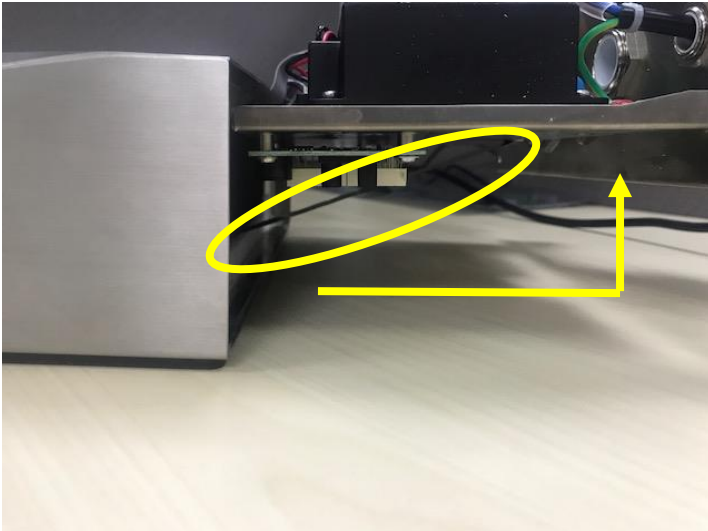


Nota:

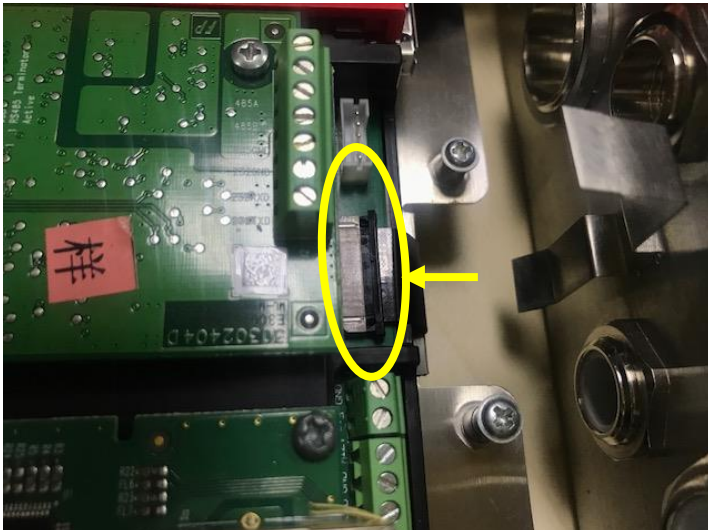
è possibile che il cavo del tasto si stacchi dal fondo del terminale quando lo si estrae. In tal caso, seguire i seguenti passi per riattaccare il cavo del tasto:



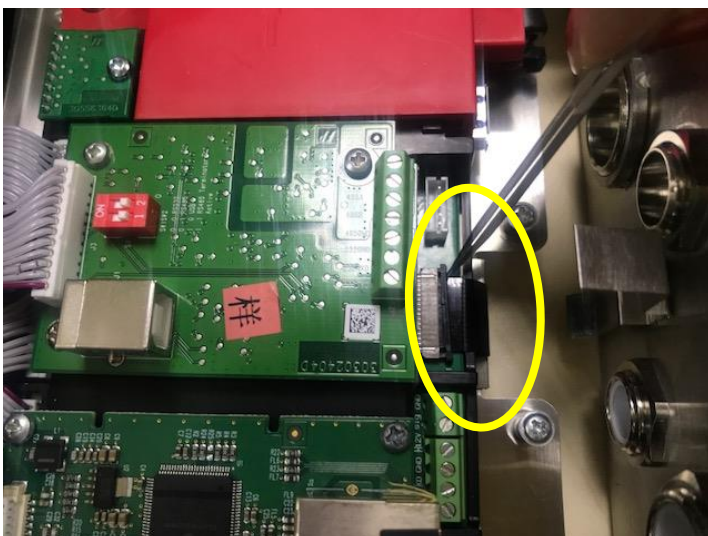
1. una volta terminata l'installazione della scheda di memoria Albi, far passare il cavo del tasto attraverso il fondo del misuratore.



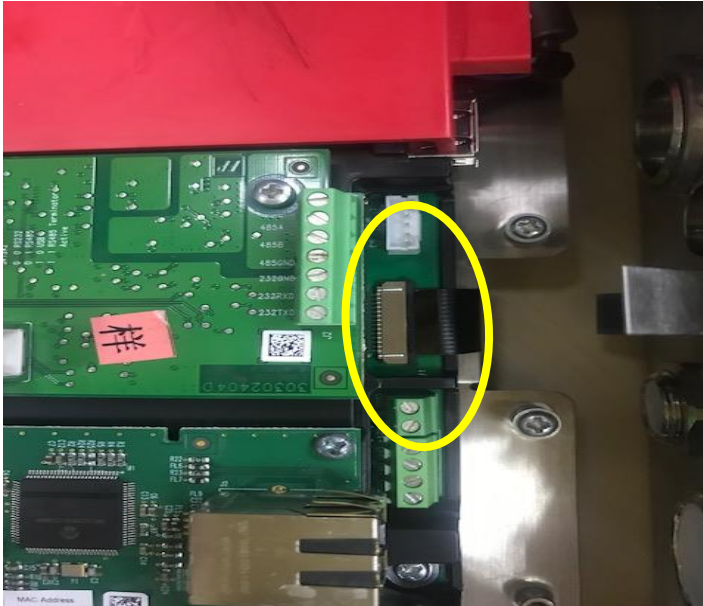
2. E tirarlo sotto la presa FPC. Spingere ulteriormente il cavo del tasto sotto la presa FPC in modo che il cavo sia saldamente fissato.



3. Utilizzare una pinzetta o altri strumenti per tirare il lato destro e sinistro della presa FPC.



4. Assicurarsi che l'intera presa FPC sia inserita e che il cavo del tasto sia fissato saldamente ad essa.



5. Ripetere il precedente passo 7 per premere il fondo del terminale e stringere tutte le viti.

4.9 I.O Discrete (per il modello i-DT61XWE)

Il menu I/O discreto permette la configurazione di 3 ingressi e 4 uscite. L'ingresso discreto0 si trova in corrispondenza di J16 sulla scheda madre (fare riferimento alla sezione **Scheda madre** per sapere dove si trova), mentre altri ingressi e uscite discreti (I.O.Discrete) si trovano sulla scheda opzionale degli I/O discreti.

Menu	Sottomenu	Sottomenu (nel segmento)	Opzioni	Opzioni (nel segmento)
	Reset	RESET	no, sì	NO, YES
	TIPO	TYPE	APERTO, CHIUSO	OPEN, CLOSED
	Ingresso discreto0	INPUT0	Spento, Zero, Calibrazione, Azzeramento calibrazione, Stampa, Unità, Accumulo, Avvio, Reset, Avvio/Arresto, Pausa/Ripresa	OFF, ZERO, EAR-E, CLR.EAR, PRINT, UNIT, ACCUMUL, START RESET, STAR-SP, PA-R-E
	Ingresso discreto1	INPUT1	Spento, Zero, Calibrazione, Azzeramento calibrazione, Stampa, Unità, Accumulo, Avvio, Reset, Avvio/Arresto, Pausa/Ripresa	OFF, ZERO, EAR-E, CLR.EAR, PRINT, UNIT, ACCUMUL, START RESET, STAR-SP, PA-R-E
	Ingresso discreto2	INPUT2	Spento, Zero, Calibrazione, Azzeramento calibrazione, Stampa, Unità, Accumulo, Avvio, Reset, Avvio/Arresto, Pausa/Ripresa	OFF, ZERO, EAR-E, CLR.EAR, PRINT, UNIT, ACCUMUL, START RESET, STAR-SP, PA-R-E
I.O.	Uscita discreta1	OUT1	Spento, Sovraccarico, Sottocarico, Sopra, Sotto, Accetta, Sotto/Sopra, SP1, SP2, SP3, SP4, Allarme	OFF, OULOAD, UNLOAD, OVER, UNDER, ACCEPT, UN-OU, F.SP1, F.SP2, F.SP3, F.SP4, ALARM
I.O.	Uscita discreta2	OUT2	Spento, Sovraccarico, Sottocarico, Sopra, Sotto, Accetta, Sotto/Sopra, SP1, SP2, SP3, SP4, Allarme	OFF, OULOAD, UNLOAD, OVER, UNDER, ACCEPT, UN-OU, F.SP1, F.SP2, F.SP3, F.SP4, ALARM
	Uscita discreta3	OUT3	Spento, Sovraccarico, Sottocarico, Sopra, Sotto, Accetta, Sotto/Sopra, SP1, SP2, SP3, SP4, Allarme	OFF, OULOAD, UNLOAD, OVER, UNDER, ACCEPT, UN-OU, F.SP1, F.SP2, F.SP3, F.SP4, ALARM
	Uscita discreta4	OUT4	Spento, Sovraccarico, Sottocarico, Sopra, Sotto, Accetta, Sotto/Sopra, SP1, SP2, SP3, SP4, Allarme	OFF, OULOAD, UNLOAD, OVER, UNDER, ACCEPT, UN-OU, F.SP1, F.SP2, F.SP3, F.SP4, ALARM
	Fine	End	\	/

4.9.1 Tipo di I/O

Si imposta lo stato dell'uscita a relè.

OPEN = lo stato iniziale dell'uscita a relè è normalmente aperto.

CLOSED = lo stato iniziale dell'uscita a relè è normalmente chiuso.

4.9.2 Ingresso

La funzione dell'I/O di ingresso è definita di seguito.

OFF	Il collegamento in ingresso è disabilitato.
ZERO	L'ingresso esterno avvia una funzione di zero
CALE	L'ingresso esterno avvia una funzione di calibrazione
CLCALE	L'ingresso esterno avvia la funzione Azzeramento calibrazione
PRINT	L'ingresso esterno avvia una funzione di stampa
UNIT	L'ingresso esterno avvia una funzione Unità
ACCUM	L'ingresso esterno avvia una funzione di accumulo
START	L'ingresso esterno avvia una funzione di avvio
RESET	L'ingresso esterno avvia una funzione di Reset
START-SP	L'ingresso esterno avvia una funzione Avvio, il secondo ingresso esterno avvia una funzione Arresto.
PAUSE	L'ingresso esterno avvia una funzione di pausa, il secondo ingresso esterno avvia una funzione di ripresa.

4.9.3 Uscita

OFF	Il collegamento di uscita è disabilitato.
OVERLOAD	Se il peso è sovraccarico, lo strumento esegue un'uscita a relè.
UNDERLOAD	Se il peso è sotto carico, lo strumento esegue un'uscita a relè.
OVER	Se il peso è sopra al valore superiore impostato, lo strumento esegue un'uscita a relè.
UNDER	Se il peso è sotto al valore inferiore impostato, lo strumento esegue un'uscita a relè
ACCEPT	Se il peso è all'interno dell'intervallo accettabile impostato, lo strumento eseguirà un'uscita a relè
UN-OV	Il valore del peso è sotto al valore inferiore o sopra al valore superiore impostato, lo strumento esegue un'uscita a relè
F.SP1	Il valore del peso è \geq SP1, lo strumento eseguirà un'uscita a relè
F.SP2	Il valore del peso è \geq SP2, lo strumento eseguirà un'uscita a relè
F.SP3	Il valore del peso è \geq SP3, lo strumento eseguirà un'uscita a relè
F.SP4	Il valore del peso è \geq SP4, lo strumento eseguirà un'uscita a relè

4.10 Configurazione dei tasti di blocco

Questo menu **L.O.C.F** viene utilizzato per bloccare l'accesso a determinati tasti. Quando si seleziona ATTIVO per una selezione, la pressione del tasto associato verrà ignorata.

Se si seleziona Blocca tutti i tasti, si perde la funzione di tutti i tasti. Per sbloccarla, premere a lungo il tasto **Menu** per 30 secondi per inserire le impostazioni per sbloccarlo.

Voce	Impostazioni disponibili (il grassetto è l'impostazione predefinita)
Blocca tutti i tasti [L.ALL]	NON ATTIVO, ATTIVO
Blocca il tasto Attivo [L.OFF]	NON ATTIVO, ATTIVO
[L.ZERO]	NON ATTIVO, ATTIVO
Blocca tasto Stampa [L.PRINT]	NON ATTIVO, ATTIVO
Blocca tasto Unità [L.UNIT]	NON ATTIVO, ATTIVO
Blocca tasto Modalità [L.MODE]	NON ATTIVO, ATTIVO
Blocca tasto Menu [L.MENU]	NON ATTIVO, ATTIVO
Blocca tasto Calibrazione [L.CALE]	NON ATTIVO, ATTIVO
Blocca tasto Target [L.CALEGE]	NON ATTIVO, ATTIVO
Blocca tastiera numerica [L.NUM]	NON ATTIVO, ATTIVO
Reset	NO, SI

Nota: se il tasto **Menu** è stato bloccato, premere a lungo il tasto **Menu** per 30 secondi per inserire le impostazioni per sbloccarlo.

4.11 Biblioteca (per il modello i-DT61XWE)

La biblioteca supporta fino a 400 record. Le modalità di applicazione condividono una biblioteca.

La Biblioteca può essere clonata con i seguenti metodi:

1. Copiando tutti i file su un dispositivo USB.
2. Utilizzando il software ScaleMate (versione 2.3.0 o superiore) per leggere tutti i file della biblioteca. Si prega di contattare un rivenditore autorizzato per ottenere il software.

Directory

Biblioteca	I-DT61XWLIB
------------	-------------

Voci della biblioteca

Le biblioteche hanno diverse voci PN, Nome, Calibrazione, Sotto, Sopra, Peso di riferimento, F.SP1, F.SP2, F.SP3 e F.SP4

PN(**PN**): Il numero di parte del materiale (unico).

Nome(**NAME**): Il nome del materiale.

Sotto(**Under**): Il limite inferiore del check.

Sopra(**Over**): Il limite superiore del check.

Tara(**TARE**): Il peso tara del materiale.

Peso di riferimento(**REF.Wt**): il peso di riferimento per la pesatura percentuale.

APW(**APW**): il peso medio del pezzo per il Conteggio.

F.SP1(**F.SP 1**): il primo peso target per il riempimento.

F.SP2(**F.SP2**): il secondo peso target per il riempimento.

F.SP3(**F.SP3**): il terzo peso target per il riempimento.

F.SP4(**F.SP4**): il quarto peso target per il riempimento.

Ogni modalità di pesatura supporta voci diverse. Vedere la tabella sottostante:

Voce	PN	Nome	Sotto	Sopra	Tara	Peso di riferimento	APW	F.SP1	F.SP2	F.SP3	F.SP4
Modalità											
Pesatura	X	X	X	X	X						
Percentuale	X	X	X	X	X	X					
Dinamico	X	X	X	X	X						
Riempimento	X	X			X			X	X	X	X
Conteggio	X	X	X	X	X		X				

Creazione la voce di una nuova biblioteca

Per creare una nuova biblioteca:

1. Premere a lungo il tasto **Menu** fino a quando non si vede **C.A.L.**. Premere brevemente più volte il tasto **No** per navigare fino a quando non si vede **L. 1.b.**. Premere il tasto **Yes**.
2. Premere il tasto **Yes** quando si vede **NAME**.
3. Il display mostra **TYPE**. Premere il tasto **Si** per selezionare. Premere brevemente il tasto **No** per selezionare dalla Pesatura (**Wt ICH**), Percentuale (**PERCENT**), Dinamico (**DYNAMIC**) e Riempimento (**FILL**). Quando si visualizza il tipo desiderato, premere il tasto **Yes** per selezionare.
4. Il display mostra **PN**. Premere il tasto **Yes** per inserire il numero PN. Immettere i dati utilizzando la tastiera numerica. Al termine, premere il tasto **Yes**.
5. Il display mostra **NAME**. Premere il tasto **Yes** per inserire il nome. Immettere i dati utilizzando la tastiera numerica. Al termine, premere il tasto **Yes**.
6. Poi il display mostra altri valori come indicato nella tabella precedente per ogni modalità. Premere il tasto **Yes** per inserire ogni valore. Immettere i dati utilizzando la tastiera numerica. Al termine, premere il tasto **Yes**.

7. Il display mostra **END** quando si saranno completate tutte le impostazioni. Premere il tasto **Yes** per confermare.
8. Il display mostra **SAVE**. Premere il tasto **Yes** per salvare.
9. Il display mostra il menu successivo **Ed It**. Premere il tasto **Exit** per uscire.

Nota: se non è necessario immettere valori per alcune voci dal punto 5 al punto 7, è possibile premere il tasto **No** per passare alla voce successiva.

Modifica di una voce della biblioteca

Per modificare una voce della biblioteca:

1. Premere a lungo il tasto **Menu** fino a quando non si vede **C.A.L.** Premere brevemente più volte il tasto **No** per navigare fino a quando non si vede **L. I.b.** Premere il tasto **Yes**.
2. Premere il tasto **No** per selezionare fino a quando non si vede **Ed It**. Premere il tasto **Yes**.
3. Il display mostra **SEARCH**. Premere il tasto **Yes**.
4. Inserite il numero PN per la voce della biblioteca che si vuole modificare. Utilizzare la tastiera numerica per inserire e, al termine, premere il tasto **Yes**.

Se è necessario cercare il numero PN, inserire almeno un numero del PN di quella voce con la tastiera numerica e poi premere il tasto **Yes**. Il primo PN include il numero immesso e verrà visualizzato. Premere brevemente il tasto **No** per navigare tra i diversi numeri di prodotto. Quando si visualizza quello desiderato, premere il tasto **Yes** per confermare.

Se si inserisce più di un numero del PN, assicurarsi che siano consecutivi.

Ad esempio, se si vuole cercare una voce della biblioteca con PN 76543, per inserire un solo numero, si può inserire 7, 6, 5, 4 o 3. Per inserire più di un numero, è possibile inserire 76, 765, 54, 543 ecc. Si prega di evitare di inserire numeri non pertinenti, come 74, 753 ecc. Il risultato non apparirà.

5. Il display mostra il numero PN della voce della biblioteca da modificare. Premere il tasto **Yes** per confermare.
6. Il display mostra **TYPE**.
 - Premere il tasto **Yes** se è necessario modificarlo. Poi premere brevemente il tasto **No** per selezionare dalla Pesatura (**WEIGH**), Percentuale (**PERCENT**), Dinamico (**DYNAMIC**) e Riempimento (**FILL**). Quando si visualizza il tipo desiderato, premere il tasto **Yes**.
 - Premere il tasto **No** se non è necessario modificarlo e passare alla voce successiva.
7. Ripetere il passo 6 per modificare tutte le voci necessarie.
8. Al termine, continuare premendo il tasto **No** fino a quando non si visualizza **END**. Premere il tasto **Yes** per confermare.
9. Il display mostra **SAVE**. Premere il tasto **Yes** per salvare.
10. Il display mostra **END**. Premere il tasto Esci per uscire.

Richiamo di una voce della biblioteca

Per richiamare e utilizzare una voce della biblioteca quando si è in modalità Pesatura, Conteggio, Percentuale, Dinamica e Riempimento:

Mediante un inserimento:

- Immettere il PN per la voce della biblioteca attraverso la tastiera numerica in quelle modalità di pesatura. Premere quindi a lungo il tasto **Lib** fino a visualizzare il numero del prodotto sul display. Premere il tasto **Yes** per confermare.
- La ricerca supporta anche l'inserimento di PN abbreviati. Per far questo, si può inserire almeno un numero del PN attraverso la tastiera numerica e poi premere a lungo il tasto **Lib**. Il primo numero di prodotto include il numero inserito e sarà visualizzato. Premere brevemente il tasto **No** per navigare tra i diversi numeri di prodotto. Quando si visualizza quello desiderato, premere il tasto **Yes** per confermare.

Se si inserisce più di un numero del PN, assicurarsi che siano consecutivi.

Ad esempio, se si desidera cercare un elemento della biblioteca con PN 76543, è possibile inserire 76, 765, 54, 543 ecc. Evitare di inserire numeri non pertinenti, come 74, 753 ecc. Il risultato non apparirà.

Tramite RFID o Barcoder

Quando il numero di prodotto immesso attraverso un RFID o un Barcoder corrisponde ad un numero di prodotto nella biblioteca, il terminale richiamerà il record della biblioteca.



Quando un record della biblioteca è in uso, una freccia sullo schermo punterà l'icona della biblioteca.

Disattivazione di una voce della biblioteca

Per disattivare una voce della biblioteca quando si è in modalità Pesatura, Conteggio, Percentuale, Dinamica o Riempimento:

1. Quando si pesa nelle modalità sopra indicate, premere a lungo il tasto **Lib**. Il display mostra il numero di prodotto della voce della biblioteca in uso.
2. Quando viene visualizzato il numero del prodotto, premere il tasto **CLR**. Il display mostra **CLAL IB**. Premere il tasto **Yes** per cancellare. Premere il tasto **No** per tornare alla modalità di applicazione attiva.

4.12 Utente (per il modello i-DT61XWE)

Entrare in questo menu **U.S.E.r** per aggiungere o modificare gli utenti. Il numero massimo di utenti è 100. Il record contiene ID e NOME. La lunghezza di ID e NOME è di circa 32 caratteri.

Aggiunta di un utente

Per aggiungere un nuovo utente:

1. Premere a lungo il tasto **Menu** fino a quando non si vede **CLAL**. Premere brevemente più volte il tasto **No** fino a quando non si vede **U.S.E.r**. Premere il tasto **Yes**.
2. Il display mostra **NEUJ**. Premere il tasto **Yes**.
3. Il display mostra **ID**. Premere il tasto **Yes**, quindi inserire il nuovo id con la tastiera numerica. Al termine, premere il tasto **Yes**.
4. Il display mostra **NAME**. Premere il tasto **Yes**, quindi inserire il nuovo nome con la tastiera numerica. Al termine, premere il tasto **Yes**.
5. Il display mostra **END**. Premere il tasto **Yes**.
6. Il display mostra **SAVE**. Premere il tasto **Yes** per salvare e il display passa al menu successivo **Ed It**.

Modifica di un utente

Per modificare un utente:

1. Premere a lungo il tasto **Menu** fino a quando non si vede **CLAL**. Premere brevemente più volte il tasto **No** fino a quando non si vede **U.S.E.r**. Premere il tasto **Yes**.
2. Il display mostra **NEUJ**. Premere brevemente il tasto **No** per selezionare **Ed It**. Premere il tasto **Yes**.
3. Il display mostra **SEARCH**. Premere il tasto **Yes**.
4. Inserire l'ID utente con la tastiera numerica. Premere il tasto **Yes**. Il display mostra l'id dell'utente. Premere il tasto **Yes**.

In alternativa, si può anche cercare un id utente inserendo almeno un numero dell'id attraverso la tastiera numerica e poi premere il tasto **Yes**. Il primo id utente include il numero inserito e sarà visualizzato. Premere brevemente il tasto **No** per navigare tra i diversi ID. Quando si visualizza quello desiderato, premere il tasto **Si** per confermare.

Se si inserisce più di un numero dell'id, assicurarsi che siano consecutivi.

Ad esempio, se si vuole cercare un id 76543, per inserire un solo numero, si può inserire 7, 6, 5, 4 o 3. Per inserire più di un numero, è possibile inserire 76, 765, 54, 543 ecc. Si prega di evitare di inserire numeri non consecutivi, come 74, 753 ecc. Il risultato non apparirà.

5. Il display mostra **ID**. Premere il tasto **Yes**, quindi inserire il nuovo id con la tastiera numerica. Al termine, premere il tasto **Yes**.
6. Il display mostra **NAME**. Premere il tasto **Yes**, quindi inserire il nuovo nome con la tastiera numerica. Al termine, premere il tasto **Yes**.
7. Il display mostra **END**. Premere il tasto **Yes**.
8. Il display mostra **SAVE**. Premere il tasto **Yes** per salvare.
9. Il display mostra **END**. Premere il tasto **Yes** e sul display appare la **END** per il menu della memoria. Premere il tasto **Si** per uscire.

Richiamo di un utente

Per richiamare un utente quando è in modalità Pesatura, Conteggio, Percentuale, Dinamica o Riempimento:
Tramite inserimento:


- Immettere l'ID utente con la tastiera numerica in quelle modalità di pesatura. Poi premere a lungo il tasto **User** fino a quando non si vede l'ID sul display. Premere il tasto **Yes** per confermare.
- La ricerca supporta anche l'inserimento di ID abbreviati. Per far questo, è possibile inserire almeno un numero dell'ID con la tastiera numerica e poi premere a lungo il tasto **User**. Il primo numero di prodotto include il numero inserito e sarà visualizzato. Premere brevemente il tasto **No** per navigare tra i diversi ID. Quando si visualizza quello desiderato, premere il tasto **Yes** per confermare.

Se si inserisce più di un numero dell'ID, assicurarsi che siano consecutivi.

Ad esempio, se si vuole cercare un ID utente 76543, è possibile inserire 76, 765, 54, 543 ecc. Si prega di evitare di inserire numeri non consecutivi, come 74, 753 ecc. Il risultato non apparirà.

Tramite RFID o Barcoder

Quando l'ID utente inserito attraverso un RFID o un Barcoder corrisponde ad un ID utente nella biblioteca, il terminale richiamerà l'utente.

Quando un utente è in uso, una freccia sullo schermo punterà l'icona dell'utente . In seguito, quando si seleziona l'utente nel modello di stampa, l'ID dell'utente verrà stampato.

Disattivazione di un utente

Per disattivare un utente quando si è in modalità Pesatura, Percentuale, Dinamica o Riempimento:

1. Quando si pesa nelle modalità sopra indicate, premere a lungo il tasto **User**. Il display mostra l'ID utente attualmente utilizzato.
2. Quando viene visualizzato l'ID, premere il tasto **CLR**. Il display mostra **CLRL Ib**. Premere il tasto **Yes** per cancellare. Premere il tasto **No** per tornare alla modalità di applicazione attiva.

4.13 USB (per il modello i-DT61XWE)

Questo menu viene visualizzato quando si collega una chiavetta USB, un RFID, un lettore di codici a barre, una tastiera o una chiavetta Wi-Fi/Bluetooth (opzionale).

Menu	Sottomenu	Sottomenu (nel segmento)	Opzioni	Opzioni (nel segmento)
USB U.5.b	Reset	rESEt	No, sì	NO, YES
	TIPO	tYPE	Chiavetta USB /RFID /Scanner codici a barre /Tastiera	d ISt, rF id, bAr-cOd, tEybd
	menu di esportazione [Chiavetta USB]	E.MENU	\	
	menu di importazione[Chiavetta USB]	I.MENU	\	
	esportazione lib[Chiavetta USB]	E.L lib	\	
	importazione lib[Chiavetta USB]	I.L lib	\	
	esportazione utente[Chiavetta USB]	E.USER	\	
	importazione utente[Chiavetta USB]	I.USER	\	
	Lunghezza[Codice a barre]	LENGTH	XXXXXXXXXX	
	Cifra iniziale[Codice a barre]	St ID It	XX	
	Fine	End	\	/

4.13.1 Chiavetta USB

La funzione del menu della chiavetta USB è definita qui di seguito:

E.MENU	Esportazione delle impostazioni del menu su una chiavetta USB
I.MENU	Importazione delle impostazioni del menu da una chiavetta USB
E.L lib	Esportazione delle Biblioteche su una chiavetta USB
I.L lib	Importazione delle Biblioteche da una chiavetta USB
E.USER	Esportazione dei profili utente su una chiavetta USB
I.USER	Importazione dei profili utente da una chiavetta USB

Nota: Le impostazioni per Menu/Utente/Biblioteca possono essere esportati su una chiavetta USB. Questa chiavetta può essere inserita in un altro terminale e le impostazioni del menu possono essere importate nel terminale. Al termine dell'importazione, il terminale si riavvierà. A quel punto le configurazioni di menu dei due terminali saranno le stesse.

4.13.2 RFID

Durante la pesatura, per richiamare e utilizzare la relativa voce di biblioteca o utente, utilizzare un lettore RFID per la ricerca del PN (numero di prodotto).

Quando ci si trova in modalità inserimento, per immettere i numeri utilizzare un lettore RFID.

Sul mercato ci sono molte marche di dispositivi RFID; OHAUS ha testato e confermato la compatibilità del dispositivo RFID (www.RFIDeas.com) seguente:

RDR-6081AKU-C06.

4.13.3 Codice a barre

Durante la pesatura, per richiamare e utilizzare la relativa voce di biblioteca o utente e per per cercare un PN (numero di prodotto) o un ID utente, utilizzare uno scanner di codici a barre.

In modalità di inserimento, per immettere i numeri utilizzare uno scanner di codici a barre.

LENGTH	Specificare la lunghezza della stringa letta dal lettore di codici a barre.
5.digit	Specificare la cifra iniziale della stringa letta dal lettore di codici a barre. Il lettore di codici a barre risponde solo quando la cifra iniziale corrisponde all' impostazione effettuata.

Sul mercato ci sono molte marche di scanner di codici a barre; OHAUS ha testato e confermato la compatibilità dei codici a barre prodotti da Datalogic®:
Serie QuickScan

4.13.4 Tastiera

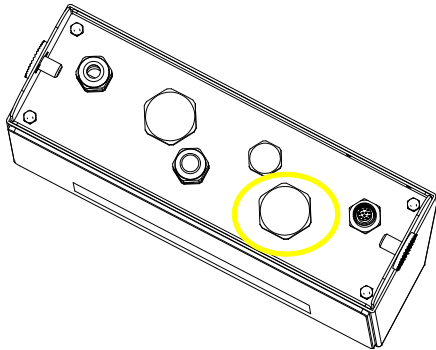
Quando si è in modalità di inserimento, per immettere i numeri utilizzare una tastiera.

4.13.5 Dongle Wi-Fi/Bluetooth (opzionale)

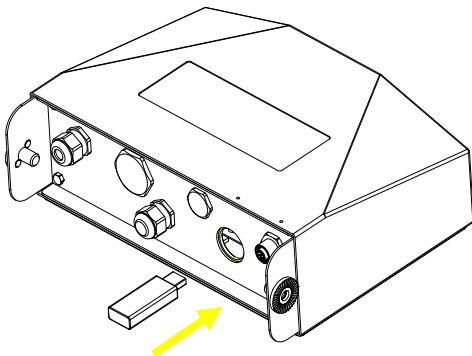
Un dongle USB Wi-Fi/Bluetooth può aiutare il terminale a ricevere i dati trasmessi tramite Wi-Fi o Bluetooth. È opzionale ed è possibile contattare un rivenditore autorizzato OHAUS per ottenerlo.

4.13.5.1 Installazione di un dongle USB Wi-Fi/Bluetooth

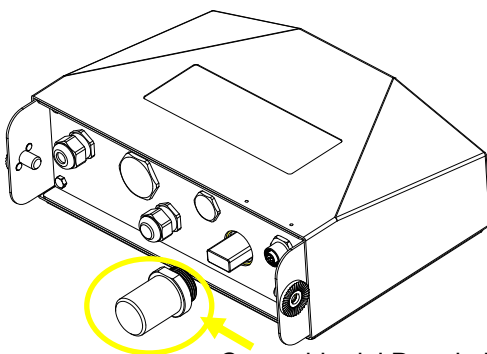
- 1 Rimuovere il coperchio M25 situato nella parte inferiore dell'indicatore.



- 2 Collegare il dongle USB Wi-Fi/Bluetooth attraverso il foro M25.



- 3 Chiudere il coperchio del dongle USB.



Coperchio del Dongle USB Bluetooth/Wi-fi

Nota: Anche il coperchio è opzionale, si prega di contattare un rivenditore autorizzato OHAUS per ottenerla.

4.13.5.2 Configurazione

Dopo aver inserito il dongle, l'indicatore lo riconoscerà e aggiungerà le voci rilevanti al menu. L'indicatore visualizzerà l'indirizzo IP, ed sarà necessario impostare altri parametri attraverso il software ScaleMate OHAUS. Per ottenere il software, contattare un rivenditore autorizzato OHAUS.

Nota: per sapere come impostare i parametri nel software ScaleMate, si prega di controllare il video di istruzioni del software tramite un rivenditore autorizzato OHAUS.

Configurazione wireless

Menu	Sottomenu	Sottomenu (nel segmento)	Opzioni	Opzioni (nel segmento)
Wireless W.I.-B.E	Reset	RESET	No, sì	NO, YES
	Tipo	TYPE	wifi, bluetooth	WiFi, BLUETOOTH
	Indirizzo IP[Wifi]	IP.Addr	XXXXXX-XXXX (169.254.1.1-6060)	/
	Nome del dispositivo[bt]	DEVICE	XXXXXX	/
	Codicepin[bt]	PIN	XXXXXX	/
	Alt Stampa CMD	ALT.P	A~Z, P	/
	Alt Calibrazione CMD	ALT.E	A~Z, T	/
	Alt Zero CMD	ALT.Z	A~Z, Z	/
	Fine	FINE	\	/

Indirizzo MAC

L'indirizzo MAC (Medium Access Control) del Wi-Fi/Bluetooth non è modificabile.

Porta

Il valore predefinito della porta IP è 6060.

DHCP

Se il DHCP è impostato su **ACCESO**, la condivisione IP o il router assegnerà automaticamente l'indirizzo IP. Se il DHCP è impostato su **SPENTO**, gli utenti devono impostare l'indirizzo IP, la Maschera di sottorete, il Gateway, il DNS primario e il DNS secondario. Se non c'è un server DHCP nella rete, il server DHCP della scheda opzionale Ethernet lo diventerà.

Nota: dopo l'impostazione di Indirizzo IP, Maschera di sottorete, Gateway, DNS primario e DNS secondario, riavviare l'indicatore per abilitare l'impostazione.

Indirizzo IP

Per impostazione predefinita l'IP è 192.168.1.2.

Maschera di sottorete

La maschera di sottorete è 255.255.255.255.0 per impostazione predefinita.

Gateway

Per impostazione predefinita il gateway è 192.168.1.1.

DNS primario e DNS secondario

Il valore DNS non è necessario quando il sistema si connette a una LAN, e viene assegnato dall'ISP quando è connesso a Internet.

Comando alternativo

Il comando alternativo di Stampa, Calibrazione, Zero può essere impostato su 'a' ~ 'z' o 'A' ~ 'Z'.

Nota: il sottomenu verrà visualizzato dopo l'installazione del dongle.

Impostazione della stampa

Per l'impostazione della stampa Wi-Fi e Bluetooth, fare riferimento alla sezione **Menu Stampa** nella parte **Comunicazione** per i dettagli sulle impostazioni di stampa.

Configurazione Bluetooth

Per accoppiare il vostro dispositivo con il terminale tramite Bluetooth, prendere come esempio Windows 10:

1. Fare clic su **Impostazioni** nel menu **Avvio**.
2. Selezionare **Dispositivi (Bluetooth, stampanti, mouse)** nella finestra a comparsa **Impostazioni** o digitare Bluetooth nella barra di ricerca della finestra per avviare il programma **Bluetooth e altri dispositivi**.
3. Fare clic su **Aggiungi Bluetooth o altro dispositivo**.
4. Selezionare **Bluetooth** nella finestra di pop up **Aggiungi un dispositivo**.
5. Selezionare il nome Bluetooth del proprio terminale da accoppiare, quindi controllare il codice pin che appare con esso.
6. Inserire il codice pin con la tastiera numerica del proprio terminale.
7. Se sul computer appare **il dispositivo è pronto per l'uso**, la connessione è riuscita.
8. Se si ha bisogno di controllare quali porte COM (seriali) sta utilizzando il Bluetooth del proprio computer, seguire i seguenti passi:
 - a) Nella pagina **Bluetooth e altri dispositivi**, invece di cliccare su **Aggiungi Bluetooth o altri dispositivi**, girare la pagina e trovare **Altre opzioni Bluetooth** sotto **Impostazioni correlate**.
 - b) Fare clic su **Altre opzioni Bluetooth**.
 - c) Selezionare le **porte COM** sulla barra superiore e si vedranno visualizzate le porte COM (seriali) che si stanno utilizzando.

Nota: se si utilizza un altro dispositivo per l'accoppiamento con il terminale, seguire il metodo di accoppiamento Bluetooth del dispositivo specifico.

5. LEGAL FOR TRADE

Quando l'indicatore viene utilizzato in commercio o in un'applicazione controllata per legge, deve essere impostato, verificato e sigillato in conformità con le normative locali sui pesi e le misure. È responsabilità dell'acquirente assicurare che tutti i requisiti legali pertinenti siano soddisfatti.

5.1 Impostazioni

Prima della verifica e della sigillatura, eseguire le seguenti operazioni:

1. Verificare che le impostazioni del menu siano conformi alle normative locali in materia di pesi e misure.
2. Eseguire una calibrazione come spiegato nella sezione **Menu di calibrazione**.
3. Spegnerne l'indicatore.

Per accendere l'interruttore di sicurezza:

1. Scollegare l'alimentazione dall'indicatore e aprire la custodia come spiegato nella sezione **Apertura della custodia** nel capitolo **Installazione**. (Rimuovere le batterie per il modello i-DT61PW).
2. Impostare la posizione dell'interruttore di sicurezza SW1 su ACCESO. (Controllare la sezione della **scheda madre** per sapere dove si trova l'SW1 sulla scheda madre).
3. Chiudere la custodia.
4. Ricollegare l'alimentazione e accendere l'indicatore. (Reinstallare le batterie per il modello i-DT61PW).

5.2 Verifica

La procedura di verifica deve essere eseguita da un funzionario o da un agente di servizio autorizzato.

5.3 Sigillatura

Dopo la verifica della bilancia, essa deve essere sigillata per impedire l'accesso non monitorato alle impostazioni controllate per legge. Per i metodi di tenuta, fare riferimento alle illustrazioni sottostanti.

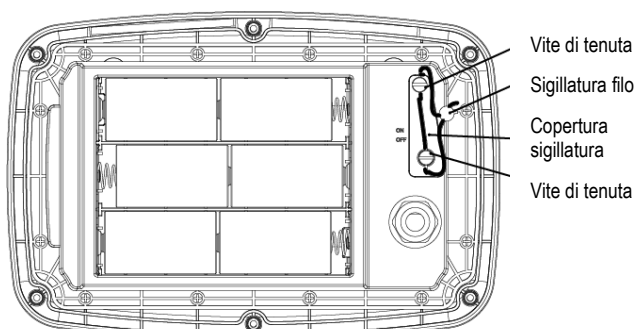


Figura 5-1. i-DT61PW Sigillatura filo

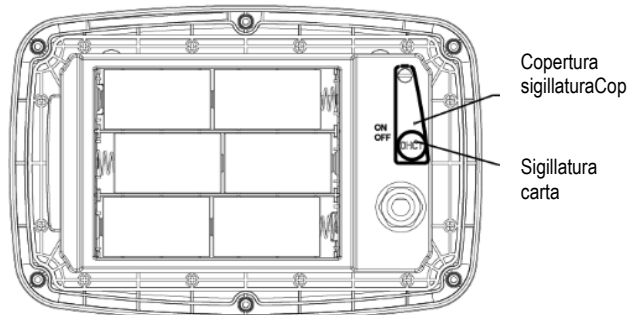


Fig. 5-2. i-DT61PW Sigillatura carta

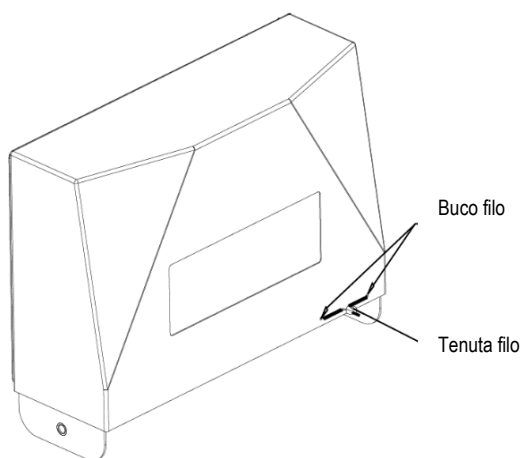


Figura 5-3. i-DT61PW Sigillatura filo

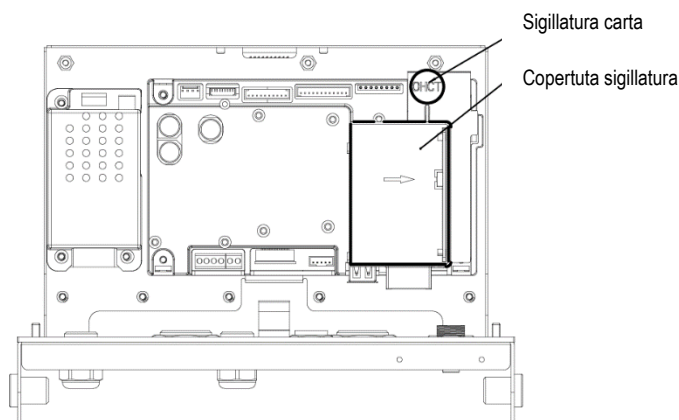


Fig. 5-4. i-DT61XWE Sigillatura carta

Quando l'indicatore i-DT61PW o i-DT61XWE è collegato ad una base OHAUS Defender serie 6000 con una funzione EasyConnect™, possiede un modulo di memoria sul cavo della cella di carico e il cavo di collegamento è sigillato mediante accoppiamento software; in questo caso non è necessaria la sigillatura hardware del cavo. Una volta sostituito l'indicatore o la base con uno/a nuovo/a, nella finestra visualizzata dell'indicatore apparirà un messaggio di errore (**Error 8.9**).

Quando l'indicatore i-DT61PW o i-DT61XWE è collegato ad una base esterna che non include un modulo di memoria, il collegamento tra l'indicatore e il ricevitore di carico deve essere sigillato utilizzando un coperchio del connettore (P/N: 30538022), adesivo di tenuta o sigillo a filo.

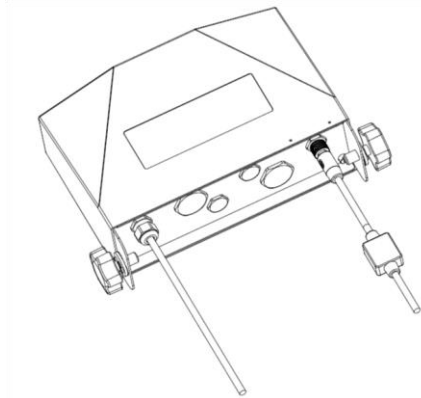


Figura 5-5 Cavo di collegamento con connettore e modulo di memoria

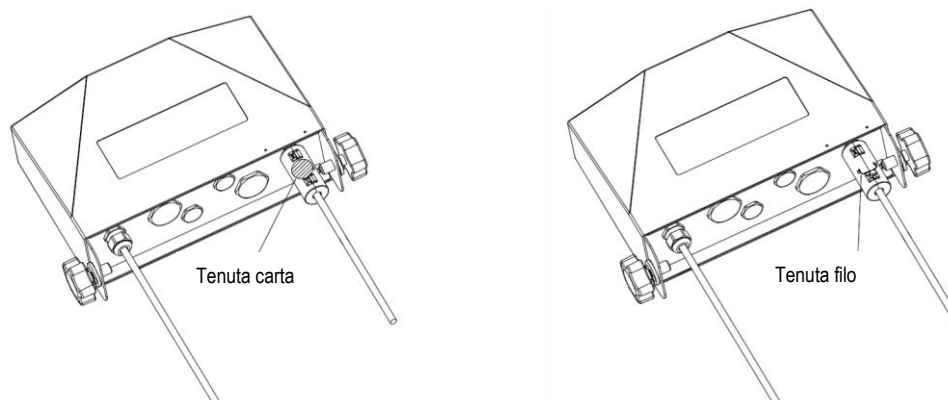


Figura 5-6 Cavo di collegamento con connettore e senza modulo di memoria

6. MANUTENZIONE

CAUTELA: PRIMA DI PROCEDERE ALLA PULIZIA SCOLLEGARE L'UNITÀ DALL'ALIMENTAZIONE .

6.1 Pulizia



AVVERTIMENTO: Pericolo di scosse elettriche. Prima della pulizia, scollegare l'apparecchiatura dall'alimentazione. Assicurarsi che nessun liquido penetri all'interno dello strumento.



Attenzione: Non utilizzare solventi, prodotti chimici aggressivi, ammoniaca o detersivi abrasivi.

La custodia può essere pulita con un panno inumidito con un detergente delicato, se necessario.

6.1.1 Pulizia per il modello i-DT61PW

- La custodia può essere pulita con un panno inumidito con un detergente delicato, se necessario.
- Non utilizzare solventi, prodotti chimici, alcool, ammoniaca o abrasivi per pulire la custodia o il pannello di controllo.

6.1.2 Pulizia per il modello i-DT61XWE

- Per la custodia dell'indicatore in acciaio inossidabile, utilizzare soluzioni detersivi approvate e sciacquare con acqua. Asciugare accuratamente.
- Non utilizzare solventi, prodotti chimici, alcool, ammoniaca o abrasivi per pulire il pannello di controllo.

6.2 Risoluzione dei problemi

TABELLA 6-1 Risoluzione dei problemi

PROBLEMA	PROBABILE CAUSA (s)	SOLUZIONE
Errore EEPROM	EEPROM Errore di checksum	Dati EEPROM corrotti
L'unità non si accende.	Il cavo di alimentazione non è collegato o non è collegato correttamente. La presa di corrente non fornisce elettricità. Batteria scarica (i-DT61PW). Altro guasto.	Controllare i collegamenti del cavo di alimentazione. Assicurarsi che il cavo di alimentazione sia collegato correttamente alla presa di corrente. Controllare la fonte di alimentazione. Sostituire le batterie (i-DT61PW). Assistenza necessaria.
Non si riesce ad azzerare la bilancia, o non si azzerava quando accesa.	Il carico sulla bilancia supera i limiti consentiti. Il carico sulla bilancia non è stabile. Danni alle celle di carico.	Rimuovere il carico sulla bilancia. Attendere che il carico diventi stabile. Assistenza necessaria.
Non si riesce a calibrare.	Il blocco del menu di calibrazione è impostato su Attivo/Acceso. Menu LFT impostato su Attivo. Valore errato per la massa di calibrazione.	Impostare il blocco del menu di calibrazione su Non Attivo/Spento. Fare riferimento alla Sezione 3.12 Blocco del menu. Impostare il menu LFT su Non Attivo/Spento. Utilizzare una massa di calibrazione corretta.
Non è possibile visualizzare il peso nell'unità di pesatura desiderata.	Unità non impostata su Attivo/Acceso.	Abilitare l'unità nel menu Unità. Fare riferimento alla sezione Menu Unità per chiarimenti.
Non è possibile modificare le impostazioni del menu.	Il menu è stato bloccato.	Impostare il menu selezionato su Non Attivo/Spento nel menu di blocco. L'interruttore di blocco sulla scheda elettronica potrebbe dover essere impostato in posizione Non Attivo/spento.
Error 8.1	La lettura del peso supera il limite di Azzeramento all'accensione.	Rimuovere il carico dalla bilancia. Ricalibrare la bilancia.
Error 8.2	Lettura del peso al di sotto del limite di Azzeramento all'accensione.	Aggiungere del carico alla bilancia. Ricalibrare la bilancia.
Error 8.3	La lettura del peso supera il limite di sovraccarico.	Ridurre il carico sulla bilancia.
Error 8.4	Lettura del peso al di sotto del limite di sottocarico.	Aggiungere del carico alla bilancia. Ricalibrare la bilancia.
Error 8.6	Il peso supera le sei cifre. Superamento limite del display.	Ridurre il carico sulla bilancia.
Error 8.8	I dati di calibrazione di fabbrica nel modulo di memoria all'estremità del cavo della cella di carico non sono validi nello stato LFT SPENTO.	Calibrare la bilancia.
Error 8.9	La mancata lettura del numero di serie dal modulo di memoria o il numero di serie non corrisponde a quello dell'indicatore in stato LFT ACCESO.	Rompere il sigillo o sostituire la base/indicatore originale.
Error 9.5	Dati di calibrazione non presenti.	Calibrare la bilancia.
Simbolo della batteria lampeggiante	Le batterie sono scariche.	Sostituire le batterie (i-DT61PW).
ERR E	Valore di calibrazione al di fuori dei limiti consentiti	Utilizzare il peso di calibrazione corretto.
NO.564	Tentativo di uscire dal menu con l'impostazione LFT ACCESO e l'interruttore di sicurezza SPENTO.	Fare riferimenti al capitolo LEGAL FOR TRADE per i dettagli su come impostare l'interruttore di sicurezza in posizione ACCESO.
REF Unit Err	Peso di riferimento troppo piccolo. Il peso sulla piattaforma è troppo piccolo per definire un peso di riferimento valido.	Utilizzare un peso maggiore per il campione.

6.3 Informazioni sul servizio assistenza

Se la sezione di risoluzione dei problemi non risolve il problema, contattare un agente di assistenza autorizzato OHAUS. Per assistenza negli Stati Uniti, chiamare il numero verde 1-800-526-0659 tra le 8:00 AM e le 17:00 Ora Standard Orientale. Uno Specialista del Servizio Assistenza Prodotti OHAUS sarà a disposizione per la dovuta assistenza. Al di fuori degli Stati Uniti, visitare il nostro sito web www.ohaus.com per individuare l'ufficio OHAUS più vicino.

7. DATI TECNICI

7.1 Specifiche

Materiali

I-DT61XWE Custodia: acciaio inossidabile 316

I-DT61PW Custodia: policarbonato (PC)

Vetro del display: policarbonato (PC)

Tastiera: policarbonato (PC)

Valori nominali dell'apparecchiatura:

Solo per uso interno

Altitudine: 2000 m

Temperatura di esercizio: -Da 10°C a 40°C

Umidità: umidità relativa massima 80% per temperature fino a 31 °C che diminuisce linearmente fino al 50% di umidità relativa a 40 °C.

Alimentazione elettrica: 100 - 240V~, 0,5A, 50/60Hz (i-DT61XWE); 6 x D batteria alcalina (i-DT61PW).

Fluttuazioni di tensione: fluttuazioni della tensione di alimentazione di rete fino a ± 10 della tensione nominale.

Categoria di sovratensione (categoria di installazione): II

Grado di inquinamento: 2

Modello	i-DT61PW
Costruzione	Custodia in policarbonato plastico, staffa in acciaio inox 304
Protezione	IP68/IP69k
Massima risoluzione visualizzata	1:75.000
Risoluzione massima approvata	1:10.000 (EC, OIML & NTEP) Classe III
Unità di pesatura	Chilogrammo, grammo, libbra, oncia, libbra: Oncia, tonnellata (tonnellata metrica)
Modalità	Pesatura di base, Pesatura percentuale, Conteggio pezzi con APW ottimizzato, Controllo pesatura/conteggio, Pesatura dinamica
Display	Display LCD a 6 cifre, 7 segmenti con retroilluminazione bianca, 45 mm di altezza
Indicatore di controllo	LED a barre a 3 Colori (rosso, verde, giallo)
Tastiera	6 tasti funzione meccanici
Tracciamento automatico dello zero	Spento, 0,5 d, 1 d o 3 d
Tensione di eccitazione della cella di carico	3.3VCC
Azionamento delle celle di carico	Fino a 4 x 350 ohm
Sensibilità d'ingresso della cella di carico	Fino a 3 mV/V
Potenza	batteria alcalina 6 x D
Durata della batteria	1500 ore di utilizzo continuo con retroilluminazione spenta
Interfaccia	Porta di comunicazione USB a infrarossi
Dimensioni di spedizione	300 x 265 x 135 mm 11,8 x 10,4 x 5,3 pollici
Dimensioni del prodotto (con staffa)	10,4 x 8,9 x 3,3 pollici / 265 x 225 x 85 mm
Peso netto approssimativo	2,7 kg / 6,0 lb
Peso di spedizione approssimativo	3,8 kg / 8,4 lb
Intervallo della temperatura di esercizio	Da 14°F a 104°F / da -10°C a 40°C

Modello	i-DT61XWE
Costruzione	Custodia in acciaio inox 316, staffa in acciaio inox 316
Protezione	IP68/IP69k
Massima risoluzione visualizzata	1:75.000
Risoluzione massima approvata	1:10.000 (EC, OIML & NTEP) Classe III
Unità di pesatura	Chilogrammo, grammo, libbra, oncia, libbra: Oncia
Modalità	Pesatura di base, Pesatura percentuale, Pesatura di controllo/percentuale, Pesatura dinamica, Pesatura di riempimento, Conteggio
Display	LED bianco a 6 cifre, 7 segmenti a 7 segmenti, 20 mm di altezza
Indicatore di controllo	3 colori (rosso, verde, arancione) 8x16 a matrice di punti
Tastiera	6 tasti funzione + 12 tasti alfanumerici capacitivi
Tracciamento automatico dello zero	Spento, 0,5 d, 1 d o 3 d
Tensione di eccitazione della cella di carico	5VDC
Azionamento delle celle di carico	Fino a 4 x 350 ohm
Sensibilità d'ingresso della cella di carico	Fino a 3 mV/V
Tempo di stabilizzazione	Entro 2 secondi
Potenza	Alimentazione universale 100-240 VAC / 50/60 Hz, cablata
Interfaccia	Standard RS232, Host USB Ethernet opzionale, WiFi/Bluetooth, 2ª RS232/RS485/USB, uscita analogica, 2 In/4 Out I/O discrete
Dimensioni di spedizione	300 x 265 x 135 mm 11,8 x 10,4 x 5,3 pollici
Dimensioni del prodotto (con staffa)	11,4 x 9,3 x 3,1 pollici / 290 x 235 x 80 mm
Peso netto approssimativo	3,2 kg / 7,0 lb
Peso di spedizione approssimativo	3,5 kg / 7,7 lb
Intervallo della temperatura di esercizio	Da 14°F a 104°F / da -10°C a 40°C





7.2 Tabella dei valori Geografici

TABELLA 6-1 CODICI GEOGRAFICI

		Elevation in meters										
		0	325	650	975	1300	1625	1950	2275	2600	2925	3250
		325	650	975	1300	1625	1950	2275	2600	2925	3250	3575
		Elevation in feet										
		0	1060	2130	3200	4260	5330	6400	7460	8530	9600	10660
		1060	2130	3200	4260	5330	6400	7460	8530	9600	10660	11730
Latitude		GEO value										
0°00'	5°46'	5	4	4	3	3	2	2	1	1	0	0
5°46'	9°52'	5	5	4	4	3	3	2	2	1	1	0
9°52'	12°44'	6	5	5	4	4	3	3	2	2	1	1
12°44'	15°06'	6	6	5	5	4	4	3	3	2	2	1
15°06'	17°10'	7	6	6	5	5	4	4	3	3	2	2
17°10'	19°02'	7	7	6	6	5	5	4	4	3	3	2
19°02'	20°45'	8	7	7	6	6	5	5	4	4	3	3
20°45'	22°22'	8	8	7	7	6	6	5	5	4	4	3
22°22'	23°54'	9	8	8	7	7	6	6	5	5	4	4
23°54'	25°21'	9	9	8	8	7	7	6	6	5	5	4
25°21'	26°45'	10	9	9	8	8	7	7	6	6	5	5
26°45'	28°06'	10	10	9	9	8	8	7	7	6	6	5
28°06'	29°25'	11	10	10	9	9	8	8	7	7	6	6
29°25'	30°41'	11	11	10	10	9	9	8	8	7	7	6
30°41'	31°56'	12	11	11	10	10	9	9	8	8	7	7
31°56'	33°09'	12	12	11	11	10	10	9	9	8	8	7
33°09'	34°21'	13	12	12	11	11	10	10	9	9	8	8
34°21'	35°31'	13	13	12	12	11	11	10	10	9	9	8
35°31'	36°41'	14	13	13	12	12	11	11	10	10	9	9
36°41'	37°50'	14	14	13	13	12	12	11	11	10	10	9
37°50'	38°58'	15	14	14	13	13	12	12	11	11	10	10
38°58'	40°05'	15	15	14	14	13	13	12	12	11	11	10
40°05'	41°12'	16	15	15	14	14	13	13	12	12	11	11
41°12'	42°19'	16	16	15	15	14	14	13	13	12	12	11
42°19'	43°26'	17	16	16	15	15	14	14	13	13	12	12
43°26'	44°32'	17	17	16	16	15	15	14	14	13	13	12
44°32'	45°38'	18	17	17	16	16	15	15	14	14	13	13
45°38'	46°45'	18	18	17	17	16	16	15	15	14	14	13
46°45'	47°51'	19	18	18	17	17	16	16	15	15	14	14
47°51'	48°58'	19	19	18	18	17	17	16	16	15	15	14
48°58'	50°06'	20	19	19	18	18	17	17	16	16	15	15
50°06'	51°13'	20	20	19	19	18	18	17	17	16	16	15
51°13'	52°22'	21	20	20	19	19	18	18	17	17	16	16
52°22'	53°31'	21	21	20	20	19	19	18	18	17	17	16
53°31'	54°41'	22	21	21	20	20	19	19	18	18	17	17
54°41'	55°52'	22	22	21	21	20	20	19	19	18	18	17
55°52'	57°04'	23	22	22	21	21	20	20	19	19	18	18
57°04'	58°17'	23	23	22	22	21	21	20	20	19	19	18
58°17'	59°32'	24	23	23	22	22	21	21	20	20	19	19
59°32'	60°49'	24	24	23	23	22	22	21	21	20	20	19
60°49'	62°09'	25	24	24	23	23	22	22	21	21	20	20
62°09'	63°30'	25	25	24	24	23	23	22	22	21	21	20
63°30'	64°55'	26	25	25	24	24	23	23	22	22	21	21
64°55'	66°24'	26	26	25	25	24	24	23	23	22	22	21
66°24'	67°57'	27	26	26	25	25	24	24	23	23	22	22
67°57'	69°35'	27	27	26	26	25	25	24	24	23	23	22
69°35'	71°21'	28	27	27	26	26	25	25	24	24	23	23
71°21'	73°16'	28	28	27	27	26	26	25	25	24	24	23
73°16'	75°24'	29	28	28	27	27	26	26	25	25	24	24
75°24'	77°52'	29	29	28	28	27	27	26	26	25	25	24
77°52'	80°56'	30	29	29	28	28	27	27	26	26	25	25
80°56'	85°45'	30	30	29	29	28	28	27	27	26	26	25
85°45'	90°00'	31	30	30	29	29	28	28	27	27	26	26

8. CONFORMITÀ

La conformità alle seguenti norme è indicata dal marchio corrispondente sul prodotto.

Marchio	Norma
	Questo prodotto è conforme alle norme armonizzate applicabili delle direttive UE 2011/65/UE (RoHS), 2014/30/UE (EMC), 2014/35/UE (LVD) e 2014/31/UE (NAWI). La dichiarazione di conformità UE è disponibile online all'indirizzo www.ohaus.com/ce .
	Questo prodotto è conforme alla Direttiva UE 2012/19/UE (RAEE) e 2006/66/CE (Batterie). Si prega di smaltire questo prodotto in conformità con le normative locali presso il punto di raccolta specificato per le apparecchiature elettriche ed elettroniche. Per istruzioni sullo smaltimento in Europa, consultare il sito www.ohaus.com/weee .
	EN 61326-1
	UL Std. No. 61010-1 CAN/CSA-C22.2 No. 61010-1

Dichiarazione di conformità ISED Canada:

Questo apparecchio digitale di classe A è conforme alla normativa canadese ICES-003.

Registrazione ISO 9001

Il sistema di gestione che regola la produzione di questo prodotto è certificato ISO 9001.

9. APPENDICE

9.1 Appendice A

Uscita continua MT Standard

Un carattere di checksum può essere abilitato o disabilitato con uscita continua. I dati sono costituiti da 17 o 18 byte come mostrato in l'uscita continua standard.

Tabella 9-1.

I dati di peso non significativi e i dati di tara vengono trasmessi sotto forma di spazi. La modalità di uscita continua fornisce la compatibilità con i prodotti OHAUS che richiedono dati di peso in tempo reale. l'uscita continua standard.

Tabella 9-1 mostra il formato per l'uscita continua standard.

Tabella 9-1: Formato Uscita continua standard

Carattere	Stato ²			Peso indicato ³						Peso Tara ⁴								
	1	2	3	4	5	6	7	8	9	10	11	12	13	14	15	16	17	18
Dati	STX	A	B	C	MSD	-	-	-	-	LSD	MSD	-	-	-	-	LSD		CHK6

Nota sul formato di uscita continuo:

1. ASCII Inizio del carattere di testo (02 hex), sempre trasmesso.
2. Byte di stato A, B e C. Fare riferimento alla Tabella 5-2, alla Tabella 5-3 e alla Tabella 5-4 per i dettagli della struttura.
3. Peso visualizzato. Peso lordo o netto. Sei cifre, nessun punto o segno decimale. Gli zeri iniziali insignificanti sono sostituiti da spazi.
4. Peso tara. Sei cifre di dati per il peso tara. Nessun punto decimale nel campo.
5. Carattere <CR> ASCII Carriage Return (0D hex).
6. Checksum, trasmesso solo se abilitato nella configurazione. Il Checksum viene utilizzato per rilevare gli errori nella trasmissione dei dati. Il checksum è definito come il complemento del 2 dei sette bit di basso ordine della somma binaria di tutti i caratteri che precedono il carattere del checksum, inclusi i caratteri <STX> e <CR>.

La Tabella 9-2, la Tabella 9-3 e la Tabella 9-4 mostrano i dettagli dei bit di stato per l'uscita continua standard.

Tabella 9-2: Byte di stato A Definizioni del bit

Bit 2, 1 e 0			
2	1	0	Posizione del punto decimale
0	0	0	XXXXX00
0	0	1	XXXXX0
0	1	0	XXXXXX
0	1	1	XXXXX.X
1	0	0	XXXX.XX
1	0	1	XXX.XXX
1	1	0	XX.XXXX
1	1	1	X.XXXXX
Bit 4 e 3			
4		3	Codice di costruzione
0		1	X1
1		0	X2
1		1	X5
Bit 5			Sempre = 1
Bit 6			Sempre = 0

Tabella 9-3: Byte di stato B Definizioni del bit

Bit di stato	Funzione
Bit 0	Lordo = 0, netto = 1
Bit 1	Segno, positivo = 0, negativo = 1
Bit 2	Fuori campo = 1 (Sopra capacità o sotto zero)
Bit 3	Movimento = 1, stabile = 0
Bit 4	lb = 0, kg = 1 (vedi anche Byte di stato C, bit 0, 1, 2)
Bit 5	Sempre = 1
Bit 6	Zero Non catturato dopo l'accensione = 1

Tabella 9-4: Byte di stato C Definizione del bit

Bit 2, 1 e 0			Descrizione peso
2	1	0	
0	0	0	lb o kg, selezionato dal Byte di stato B, bit 4
0	0	1	grammi (g)
0	1	0	tonnellate metriche (t)
0	1	1	once (oz)
1	0	0	non utilizzato
1	0	1	non utilizzato
1	1	1	tonnellate (ton)
1	1	1	nessuna unità
Bit 3			Richiesta di stampa = 1
Bit 4			Espandere i dati x 10 = 1, Normale = 0
Bit 5			Sempre = 1
Bit 6			Sempre = 0

9.2 Appendice B

Comandi MT-SICS

	Comando	Funzione
LIVELLO 0	@	Azzerare la bilancia
	I0	Richiesta di tutti i comandi SICS disponibili
	I1	Richiesta di informazioni sul livello SICS e sulle versioni SICS
	I2	Richiesta di dati della bilancia
	I3	Richiesta della versione del software della bilancia
	I4	Richiesta del numero di serie
	S	Invio del valore di peso stabile
	SI	Invio immediato del valore del peso
	SIR	Invio ripetuto del valore del peso
	Z	Azzeramento della bilancia
	ZI	Azzeramento immediato
LIVELLO 1	D	Scrittura del testo sul display
	DW	Visualizzazione del peso
	RS	Invio e ripetizione del valore di peso stabile
	T	Tara
	TA	Valore della tara
	TAC	Azzeramento tara
	TI	Tara immediata

	Comando	Funzione
LIVELLO 2	C2	Calibrazione con il peso di calibrazione esterno
	C3	Calibrazione con il peso di calibrazione interno
	I10	Richiesta o impostazione ID della bilancia
	I11	Richiesta del tipo di bilancia
	P100	Stampa sulla stampante
	P101	Stampa del valore di peso stabile
	P102	Stampa immediata del valore del peso attuale
	SIRU	Invio immediato del valore del peso nell'unità corrente e ripetizione
	SIU	Invio immediato del valore del peso nell'unità di misura corrente
	SNR	Invio del valore di peso stabile e ripetizione dopo ogni cambio di peso
	SNRU	Invio del valore di peso stabile nell'unità di misura corrente e ripetizione dopo ogni cambio di peso
	SRU	Invio del valore del peso nell'unità corrente e ripetizione
	ST	Dopo aver premuto il tasto Trasferisci, invio del valore di peso stabile
	SU	Invio del valore di peso stabile nell'unità di misura corrente
LIVELLO 3	M01	Modalità di pesatura
	M02	Impostazione della stabilità
	M03	Funzione zero automatico
	M19	Invio del peso di calibrazione
	M21	Richiesta/impostazione dell'unità di peso
	PRN	Stampa su ogni interfaccia della stampante
	RST	Riavvio
	SFIR	Invio immediato del valore del peso e ripetizione rapida
	SIH	Invio immediato del valore del peso in alta risoluzione
	SWU	Cambio dell'unità di peso
	SX	Invio dei record di dati stabili
	SXI	Invio immediato del record di dati
	SXIR	Invio immediato del record di dati e ripetizione
	U	Cambio dell'unità di peso



Ohaus Corporation
7 Campus Drive
Suite 310
Parsippany, NJ 07054 USA
Tel: +1 973 377 9000
Fax: +1 973 944 7177

With offices worldwide / Con oficinas en todo el mundo / Avec des bureaux partout dans le monde / Mit Büros weltweit / Con uffici in tutto il mondo
www.ohaus.com



P/N 30572892A © 2020 Ohaus Corporation, all rights reserved / todos los derechos reservados / tous droits réservés / alle Rechte vorbehalten / tutti i diritti riservati