



2 Block Dry Block Heaters



Versatile Block Heaters Designed for Everyday Use with Accessories for Every Application

Versatile Dry Block Heaters are ideal for applications that require temperature stability. Close tube-to-block contact enables maximum heat retention, resulting in efficient heating. Digital models offer exceptional temperature uniformity and stability for repeatable results, while non-digital models are an economical choice. All units hold optional interchangeable modular blocks with over 40 choices. Blocks are easy to use, no tools required.

Standard Features:

- **Delivering Exceptional Temperature Stability and Uniformity**
Three models to customize your application. All models offer exceptional temperature uniformity with outstanding temperature stability.
- **Heated Lid Model Reduces Condensation on Lids to Maintain Sample Integrity**
A second heater in the lid helps minimize condensation to maintain sample integrity, providing reliable, repeatable results. Easily monitor settings with independent displays for temperature and time.
- **Calibrate to an External Temperature Device with Temperature Calibration Mode**
Digital models with user calibration feature allows you to match the Block Heater's display to your known external temperature standard which improves the temperature accuracy of the system.

2 Block Dry Block Heaters

Model	HB2AL	HB2DG	HB2DGH
Control	Non-Digital	Digital	Digital
Temperature Range	Low Ambient + 5 °C – 100 °C, High 75 °C – 150 °C	Ambient + 5 °C – 100 °C	
Stability @ 37 °C	± 1.5 °C	± 0.1 °C	
Uniformity @ 37 °C	± 0.1°C		
Heat Up Time to 100 °C	≤ 16 min		≤ 30 min
Temperature Calibration	NA	•	
Number of Blocks	2		
Overshoot Protection	NA	10 °C above set point	
Working Environment	64 ° F – 91 °F, 20% – 80% relative humidity, non-condensing / 18 °C – 33 °C, 20% – 80% relative humidity, non-condensing		
Power	120V, 1.75A, 50/60Hz		120V, 3A, 50/60Hz
Power Consumption	210 W		400 W
Dimensions (W x L x H)	8 x 15.4 x 3.5 in. / 203 x 391 x 89 mm		8 x 15.4 x 7 in. / 203 x 391 x 178 mm
Net Weight	6.2 lb / 2.8 kg		6.8 lb / 3.1 kg

Other Standard Features and Equipment

Touchpad control and audible alarm (digital models), painted steel housing, digital models include support rod holder with locking knob, detachable 3-wire cord and plug (included)

Compliance

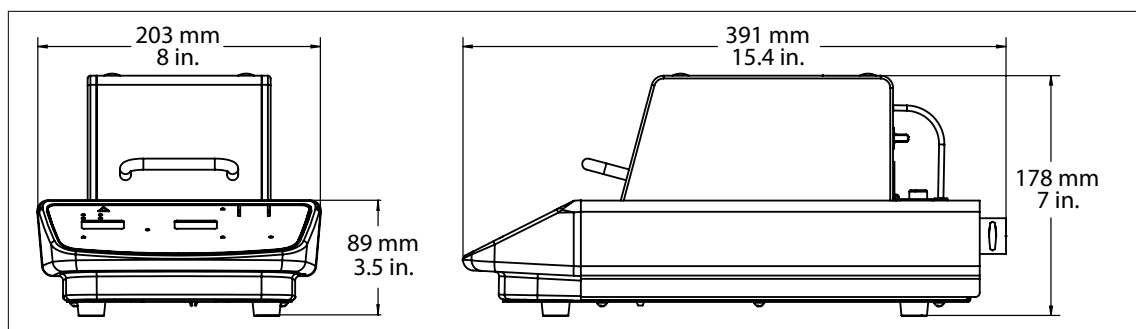
- **Product Safety:** CAN/CSA C22.2 61010-1, CAN/CSA C22.2 61010-2-010, CAN/CSA C22.2 61010-2-051, UL 61010-1
- **Electromagnetic Compatibility:** ICES-003 Class A, FCC Part 15 Class A
- **Compliance Marks:** TÜV SÜD

Accessories

Module Block 10 mm Test Tube, 24 Wells	30400151	Module Block 15 mL Conical Centrifuge, 12 Wells ...	30400172
Module Block 12/13 mm, 20 Wells	30400152	Sand Bath, 2 Block Unit	30400174
Module Block 15/16 mm, 12 Wells	30400153	Sand, 0.5 kg (1 lb) Bag	30400177
Module Block 20 mm Test Tube, 8 Wells	30400154	Stainless Steel Shot, 0.5 kg (lb)	30400178
Module Block 25 mm Test Tube, 6 Wells	30400155	Cover Low-Temperature 2 Block*	30400179
Module Block Combo - Test Tube Combination Block:		Module Block For Vials 12 mm, 20 Wells	30400182
6 mm, 12/13 mm, 25 mm	30400156	Module Block For Vials 15 mm, 20 Wells	30400183
Module Block 0.5 mL Microtaper, 30 Wells	30400157	Module Block For Vials 17 mm, 12 Wells	30400184
Module Block 6 mm Test Tube, 30 Wells	30400158	Module Block For Vials 19 mm, 12 Wells	30400185
Module Block 1.5 mL Microtaper, 20 Wells	30400159	Module Block For Vials 21 mm, 9 Wells	30400186
Module Block Solid	30400160	Module Block For Vials 23 mm, 8 Wells	30400187
Module Block Cuvette - 12 Cuvet, 2 Wells	30400161	Module Block For Vials 25 mm, 8 Wells	30400188
Module Block 11.5/1.5 mL Microcentrifuge, 20 Wells		Module Block For Vials 28 mm, 6 Wells	30400189
.....	30400162	Module Block For Vials 16 mm, 15 Wells	30400190
Module Block 250 Microliter/6 mm, 30 Wells	30400163	Module Block, 2.0 mL Tube, 20 Wells	30400191
Module Block Titer Plate	30400164	Module Block, 2.0 mL Corning Tube, 20 Wells	30400192
Module Block 12/13 mm, 16 Wells	30400165	Module Block Combo - Centrifuge Tube Configuration:	
Module Block Solid Double	30400166	50 mL-2 Wells, 15 mL-3 Wells, 1.5 mL-4 Wells	30400193
Module Block 35 mm Test Tube, 4 Wells	30400167	Module Block Combo - Micro Tube Combination:	
Module Block 50 mL Conical Centrifuge, 5 Wells ...	30400168	2 mL-5 Wells, 1.5 mL-10 Wells, 0.5 mL-6 Wells	30400194
Module Block 0.2 mL Micro, 80 Wells	30400169	Module Block 17/18 mm, 12 Wells	30400195
Module Block 0.2 mL Micro, 64 Wells	30400170	Stainless Steel Probe Kit**	30400246
Module Block 0.2 mL 96 Hole Double Block	30400171		

*NA for HB2DGH **NA for HB2AL

Dimensions



80775613 20181218 © Copyright OHAUS Corporation

OHAUS CORPORATION

7 Campus Drive
Suite 310
Parsippany, NJ 07054 USA

Tel: 800.672.7722
973.377.9000
Fax: 973.944.7177

www.ohaus.com

The management system governing the manufacture of this product is ISO 9001:2015 certified.

