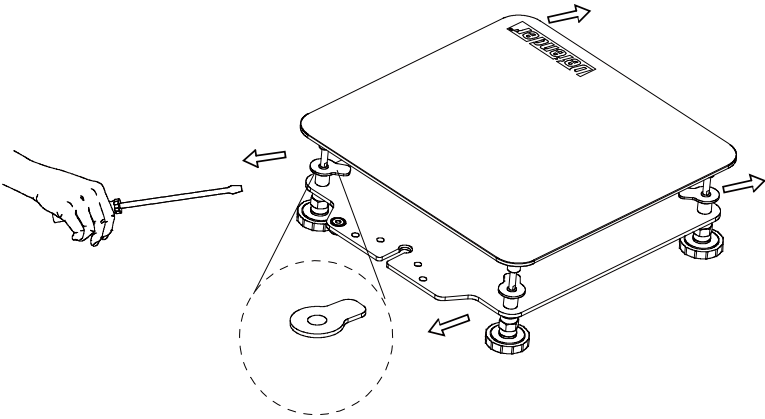


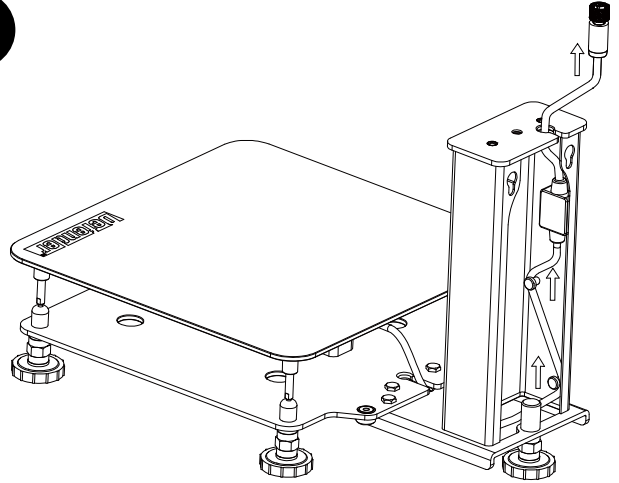


COLUMN MOUNT INSTRUCTION

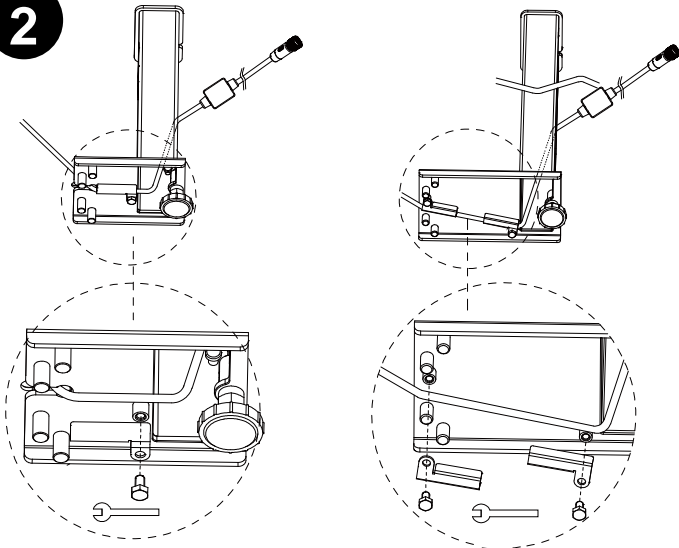
1



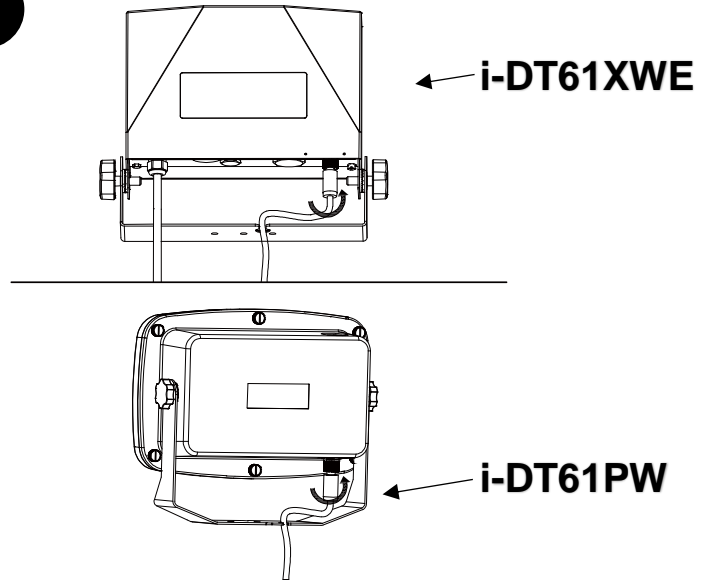
4



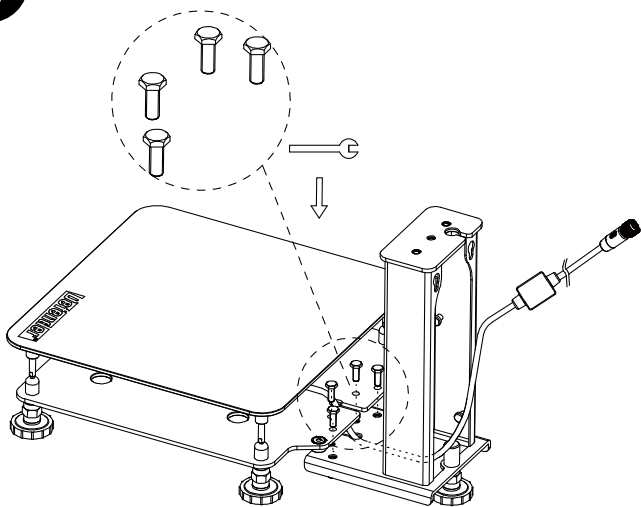
2



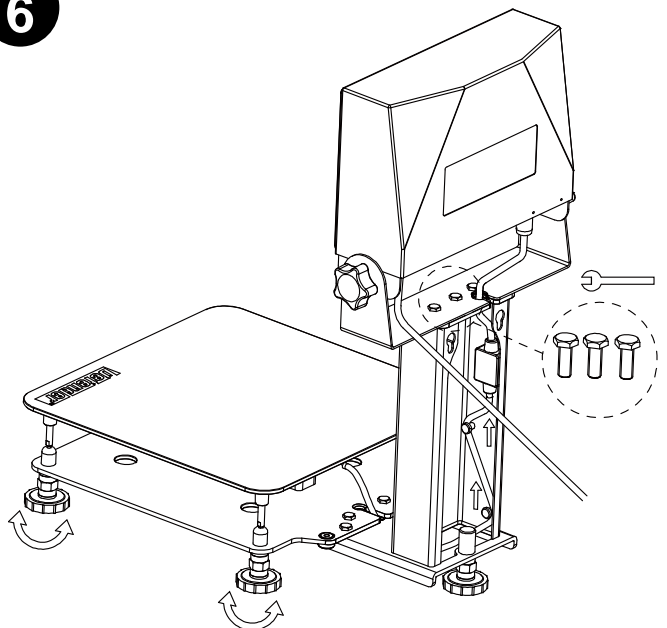
5



3

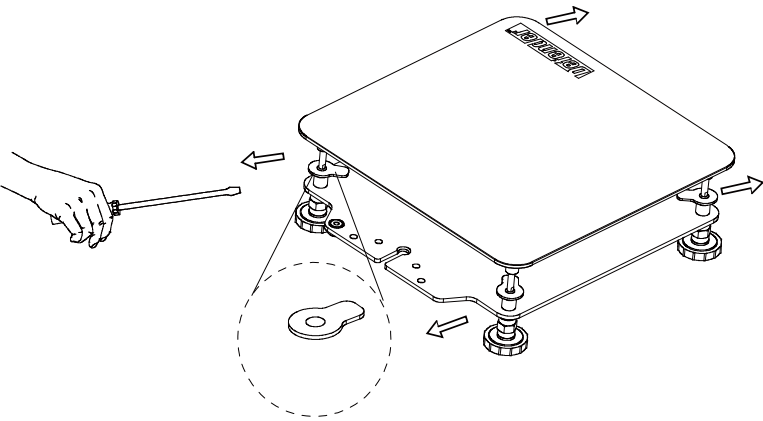


6

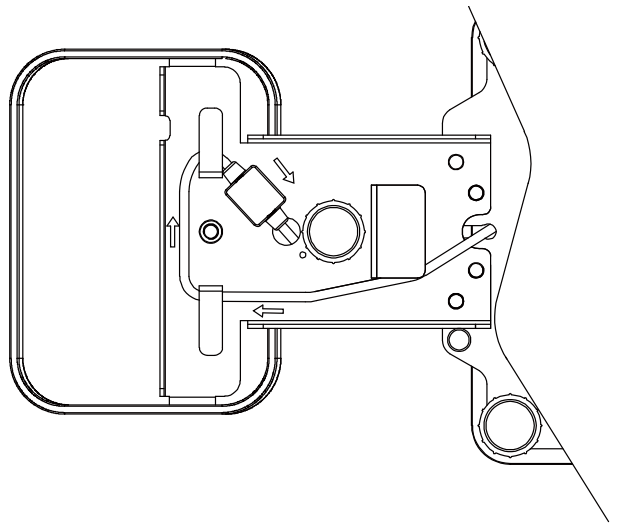


FRONT MOUNT INSTRUCTION

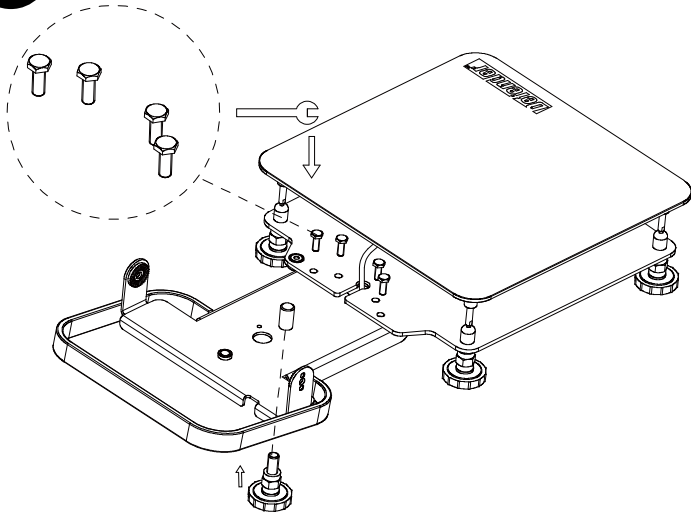
1



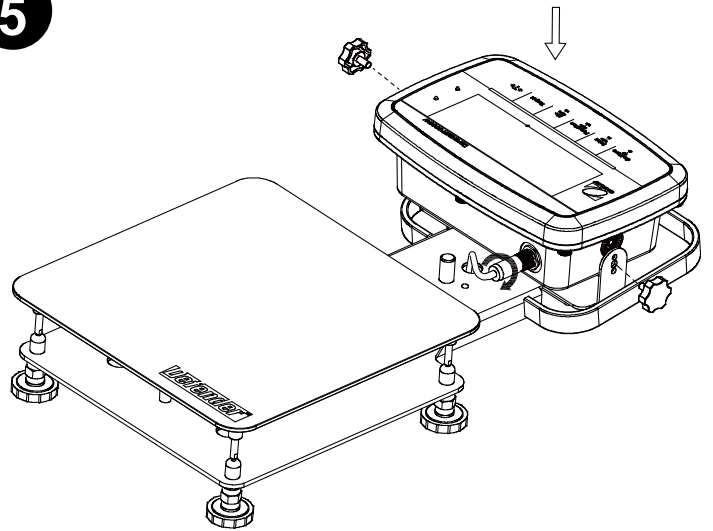
4



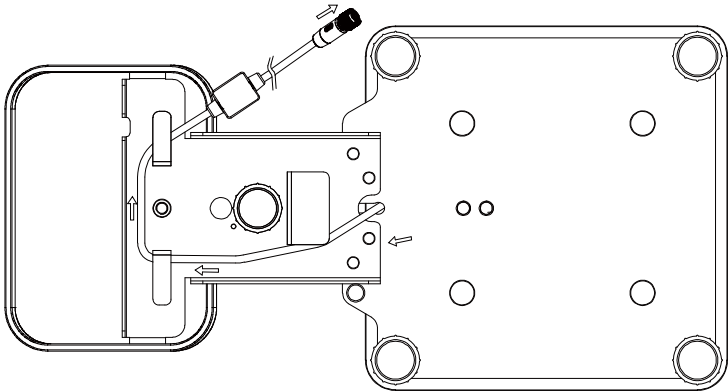
2



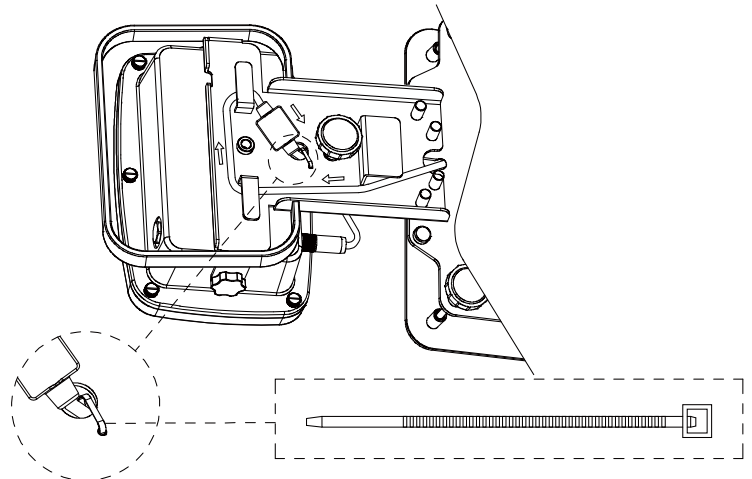
5



3



6



* 3 0 6 3 0 3 3 3 *

P/N 30630333 A ©Ohaus Corporation 2020, all rights reserved.

Printed in China