



Instruction Manual  
Incubating Shaker Rocking, ISRK04HDG  
Incubating Shaker Waving, ISWV02HDG

EN - English	.....	1
FR - Français	.....	9
ES - Español	.....	18
IT - Italiano	.....	27
DE - Deutsch	.....	36
PT - Português	.....	45
NL - Nederlands	.....	54
NO - Norsk	.....	58
DA - Dansk	.....	62
SV - Svenska	.....	66
FI - Suomi	.....	70
HU - Magyar	.....	74
PL - Polski	.....	78
CZ - Czech	.....	82
KR - Korean	.....	86



## TABLE OF CONTENTS

---

Package Contents	1
Service Information	1
Installation	2
Maintenance & Servicing	2
Intended Use	2
Environmental Conditions	2
Safety Instructions	3
Standards & Regulations	3
Incubating Control Panel	4
Incubating Rocker Specifications	5
Incubating Waver Specifications	5
Incubating Rocker/Waver Operating Instructions	6-7
Troubleshooting	8

### PACKAGE CONTENTS

---

Incubating Rocker or Incubating Waver  
Power Cord  
Instruction Manual

### SERVICE INFORMATION

---

If the troubleshooting section does not resolve or describe your problem, contact your authorized OHAUS service agent. For service assistance or technical support in the United States call toll-free 1-800-672-7722 ext. 7852 between 8:00 AM and 5:00 PM EST. An OHAUS product service specialist will be available to provide assistance. Outside the USA, please visit our web site, [www.ohaus.com](http://www.ohaus.com) to locate the Ohaus office nearest you.

Serial Number: \_\_\_\_\_

Date of Purchase: \_\_\_\_\_

Supplier: \_\_\_\_\_

## INSTALLATION

---

Upon receiving your Ohaus Rocker/Waver, check to ensure that no damage has occurred in shipment. It is important that any damage that occurred in transport is detected at the time of unpacking. If you do find such damage the carrier must be notified immediately.

After unpacking, place the Rocker/Waver on a level bench or table, away from explosive vapors. Ensure that the surface on which the unit is placed will withstand typical heat produced by the unit and place the unit a minimum of six (6) inches from vertical surfaces. Always place the unit on a sturdy work surface.

The Rocker/Waver is supplied with a power cord that is inserted into the IEC connector on the back of the unit first, then it can be plugged into a properly grounded outlet. The 120V unit plugs into a 120 volt, 50/60 Hz source. The 230V unit plugs into a 230 volt, 50/60 Hz source.

## MAINTENANCE & SERVICING

---

The Rocker/Waver is built for long, trouble-free, dependable service. No lubrication or other technical user maintenance is required. However at least every three (3) months you should:

- Unplug the unit.
- Remove any accumulated dirt from the base and tray.
- Check all accessible items to make sure they are properly tightened.

The unit should be given the care normally required for any electrical appliance. Avoid wetting or unnecessary exposure to fumes. Spills should be removed promptly. **DO NOT** use a cleaning agent or solvent on the front panel or lid which is abrasive or harmful to plastics, nor one which is flammable. Always ensure the power is disconnected from the unit prior to any cleaning. If the unit ever requires service, contact your Ohaus representative.

## INTENDED USE

---

These Rockers and Wavers are intended for general laboratory use.

## ENVIRONMENTAL CONDITIONS - INCUBATING ROCKERS AND WAVERS

---

**Operating Conditions:** Indoor use only.

Temperature:	5 to 40°C (41 to 104°F)
Humidity:	80% relative humidity, non-condensing
Altitude:	0 to 6,562 ft (2000 M) above sea level

**Non-Operating Storage:**

Temperature:	-20 to 65°C (-4 to 149°F)
Humidity:	maximum 80% relative humidity, non-condensing

Installation Category II and Pollution Degree 2 in accordance with IEC 664.

## EQUIPMENT DISPOSAL

---



This equipment must not be disposed of with unsorted waste. It is your responsibility to correctly dispose of the equipment at life-cycle-end by handing it over to an authorized facility for separate collection and recycling. It is also your responsibility to decontaminate the equipment in case of biological, chemical and/or radiological contamination, so as to protect the persons involved in the disposal and recycling of the equipment from health hazards.

For more information about where you can drop off your waste of equipment, please contact your local dealer from whom you originally purchased this equipment. By doing so, you will help to conserve natural and environmental resources and you will ensure that your equipment is recycled in a manner that protects human health.

## SAFETY INSTRUCTIONS

Please read the entire instruction manual before operating the Ohaus Rockers/Wavers.



**WARNING! DO NOT** use the Ohaus Rockers/Wavers in a hazardous atmosphere or with hazardous materials for which the unit was not designed. Also, the user should be aware that the protection provided by the equipment may be impaired if used with accessories not provided or recommended by the manufacturer, or used in a manner not specified by the manufacturer.

Always lift unit by the housing, **never** by the tray or lid. Always operate unit on a level surface for best performance and maximum safety.



**CAUTION!** To avoid electrical shock, completely cut off power to the unit by disconnecting the power cord from the unit or unplugging from the wall outlet. Disconnect unit from the power supply prior to maintenance and servicing.

Spills should be removed promptly. **DO NOT** immerse the unit for cleaning. **DO NOT** operate the unit if it shows signs of electrical or mechanical damage.







**CAUTION! (Incubating Units Only)** The caution hot indicator light warns that the temperature of the top plate is above 40°C. The light will illuminate and remain lit when the temperature of the top plate reaches approximately 40°C. When the heat is turned off, the caution hot indicator light will stay lit until the temperature of the top plate is less than 40°C.



Earth Ground - Protective Conductor Terminal  
Alternating Current

## STANDARDS & REGULATIONS

Compliance to the following standards and regulations is indicated by the corresponding mark on the product.

Mark	Standards and Regulations
	OHAUS Corporation declares that the SHRK, ISRK, ISWV series shakers comply with directives 2011/63/EU, 2014/30/EU, 2014/35/EU and standards EN 50581, EN 61010-1, EN 61010-2-051, EN 61326-1. The full text of the EU declaration of conformity is available at the following internet address: <a href="http://www.ohaus.com/ce">www.ohaus.com/ce</a> .
	This product complies with directive 2012/19/EU. Please dispose of this product in accordance with local regulations at the collecting point specified for electrical and electronic equipment. For disposal instructions in Europe, refer to <a href="http://www.ohaus.com/weee">www.ohaus.com/weee</a> .
	EN 61326-1
	CAN/CSA C22.2 61010-1, CAN/CSA C22.2 61010-2-051 UL 61010-1, UL 61010-2-051

### Global Notice

Warning: This is a Class A product. In a domestic environment this product may cause radio interference in which case the user may be required to take adequate measures.

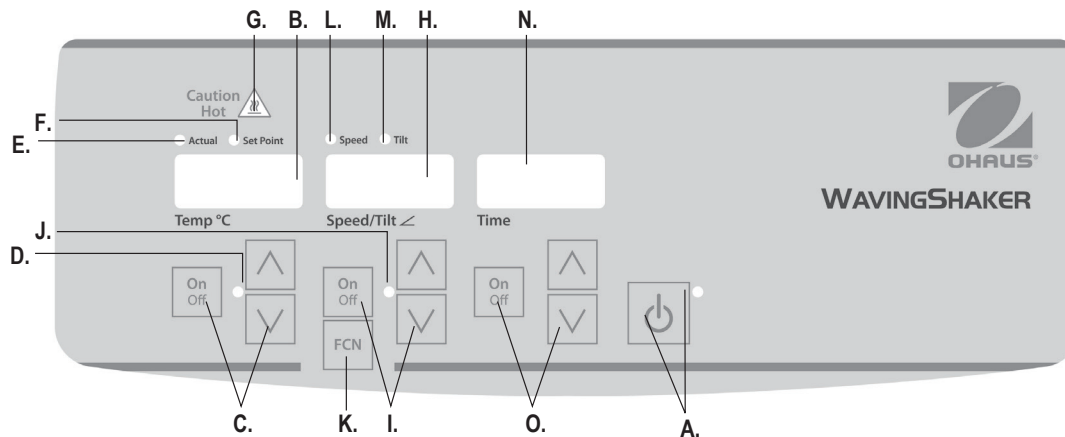
### Canada Notice

This Class A digital apparatus complies with Canadian ICES-003.

### FCC Notice

NOTE: This equipment has been tested and found to comply with the limits for a Class A digital device, pursuant to Part 15 of the FCC Rules. These limits are designed to provide reasonable protection against harmful interference when the equipment is operated in a commercial environment. This equipment generates, uses, and can radiate radio frequency energy and, if not installed and used in accordance with the instruction manual, may cause harmful interference to radio communications. Operation of this equipment in a residential area is likely to cause harmful interference in which case the user will be required to correct the interference at his own expense.

Changes or modifications not expressly approved by Ohaus Corporation could void the user's authority to operate the equipment.



## INCUBATING ROCKER/WAVER CONTROL PANEL

The front panel of the Incubating Rocker/Waver contains all the controls and displays needed to operate the unit.

- A. Standby button/standby indicator light:** The standby indicator light will illuminate when the unit is plugged in. The unit will be in standby mode. Press the standby button to activate the temperature, speed/tilt and time functions. The standby indicator light will shut off and the temperature, speed/tilt and time displays will illuminate. Press the standby button again and the unit will once again be in standby mode.
- B. Temperature display:** Displays the actual/set-point temperatures in conjunction with the actual/set-point indicator lights. **C.** Up/down arrows for set-point control. On/off button starts/stops the heat function. **D.** The heat indicator light will be illuminated when the unit is heating.
- E. Actual indicator light:** Illuminates when the temperature displayed is the actual temperature of the air in the chamber.
- F. Set-point indicator light:** Illuminates when the set-point temperature is displayed.

- G. Caution hot indicator light:** Illuminates when the air temperature of the chamber is above 40°C (104°F).
- H. Speed/tilt display:** Displays the speed and tilt of the unit. **I.** Up/down arrows for set-point control. On/off button starts/stops the rocking/waving function. **J.** The speed/tilt indicator light will be illuminated when the unit is rocking/waving.
- K. Function button:** Press to choose the function you are setting: speed or tilt.
- L. Speed indicator light:** Illuminates when the speed is displayed.
- M. Tilt indicator light:** Illuminates when the tilt angle is displayed.
- N. Time display:** Displays accumulated time (continuous mode) or how much time is remaining (timed mode). **O.** Up/down arrows for set-point control. On/off button starts/stops the time function. The display range is from 0 to 9999 minutes in one (1) second increments. The display will indicate minutes and seconds until the timer reaches 99 minutes and 59 seconds (99:59), then the display will automatically display minutes up to 9999.

## INCUBATING ROCKER SPECIFICATIONS

---

<b>Overall dimensions (L x W x H):</b>	16.5 x 10.1 x 10.8" (41.9 x 25.7 x 27.4cm)
<b>Interior dimensions (L x W H):</b>	10.75 x 7.75 x 3.8" (27.3 x 19.7 x 9.7cm)
<b>Tray dimensions (L x W):</b>	10 x 7.5" (25.4 x 19.1cm)
<b>Electrical (50/60 Hz):</b>	120 volts AC, 3.74 amps, 420 watts 230 volts AC, 1.87 amps, 420 watts
<b>Fuses:</b>	5mm x 20mm, 5 amp quick acting
<b>Temperature range:</b>	ambient +5° to 65°C
<b>Temperature uniformity:</b>	+/-0,5°C at 37°C
<b>Speed range:</b>	1 to 50rpm*
<b>Speed accuracy:</b>	±1rpm
<b>Tilt angle:</b>	0 to 15°*
<b>Weight capacity:</b>	10 lb (4.5 kg)**
<b>Timer:</b>	digital, 1 second to 9999 minutes (increased in 1 second increments)
<b>Controls:</b>	see page 4
<b>Tray material:</b>	aluminum
<b>Ship weight:</b>	13.5lbs (6.1 kg)

\* Maximum speed/tilt angle may vary with heavy or unbalanced loads.

\*\* Centered on tray.

## INCUBATING WAVER SPECIFICATIONS

---

<b>Overall dimensions (L x W x H):</b>	16.5 x 10.1 x 10.8" (41.9 x 25.7 x 27.4cm)
<b>Interior dimensions (L x W H):</b>	10.75 x 7.75 x 3.4" (27.3 x 19.7 x 8.6cm)
<b>Tray dimensions (L x W):</b>	9.25 x 7.25" (23.5 x 18.4cm)
<b>Electrical (50/60 Hz):</b>	120 volts AC, 3.74 amps, 420 watts 230 volts AC, 1.87 amps, 420 watts
<b>Fuses:</b>	5mm x 20mm, 5 amp quick acting
<b>Temperature range:</b>	ambient +5° to 65°C
<b>Temperature uniformity:</b>	+/-0,5°C at 37°C
<b>Speed range:</b>	1 to 30rpm*
<b>Speed accuracy:</b>	±1rpm
<b>Tilt angle:</b>	0 to 20°*
<b>Weight capacity:</b>	5 lb (2.3 kg)**
<b>Timer:</b>	digital, 1 second to 9999 minutes (increased in 1 second increments)
<b>Controls:</b>	see page 4
<b>Tray material:</b>	aluminum
<b>Ship weight:</b>	14.5lbs (6.6kg)

\* Maximum speed/tilt angle may vary with heavy or unbalanced loads.

\*\* Centered on tray.

## INCUBATING ROCKER/WAVER OPERATING INSTRUCTIONS

The Ohaus Incubating Rocker/Wavers are used to prepare samples for testing. These units have been designed for the temperature, speed/tilt and time functions to work independently of one another. The temperature and speed/tilt can be re-set without re-setting the timer, and the timer can be stopped and started without interrupting the heating or rocking/waving functions.

### 1. Getting ready:

- a. Plug the power cord into a properly grounded outlet. The standby indicator light will illuminate, verifying power to the unit. Manually move the platform tray to a near horizontal "home" position before powering unit.
- b. Press the standby button to move the unit from standby mode. The standby indicator light will shut off and the temperature, speed/tilt and time displays will illuminate and display the previously used settings.



### 2. Set temperature:

- a. Press the up/down arrows below the temperature display until you reach the desired temperature. When you release the arrow button, the display will blink off and then on indicating the new set temperature has been accepted.
- b. Press the on/off button to start the heating function. The indicator light below the temperature display will illuminate to indicate the heating function is in use. You will hear five (5) audible beeps that indicate set temperature has been reached.
- c. Set-point temperature adjustments can be made without interrupting heating using the up/down arrows below the temperature display. After the change has been made and you release the button, the display will blink off and then on indicating the new set temperature has been accepted.
- d. To stop heating, press the on/off button below the temperature display, the heat indicator light will turn off.

### Caution Hot Indicator:

The caution hot indicator light warns that the temperature of the air in the chamber is above 40°C. The light will illuminate and remain on when the temperature of the air in the chamber reaches approximately 40°C. When the heat is turned off, the caution hot indicator light will stay illuminated until the temperature of the air in the chamber is less than 40°C.



### 3. Setting tilt: Electronic tilt enables the user to adjust the angle of tray movement while the unit is rocking/waving or while the unit is stopped.

- a. Press the function button below the speed/tilt display until the tilt indicator light illuminates. You are now ready to set the tilt angle.
- b. Press the up/down arrows below the speed/tilt display until you reach the desired angle. When you release the arrow button, the display will blink off and then on indicating the new set angle has been accepted. The unit will complete one rotation at the previously set angle, then smoothly change to the newly programmed angle. The tilt indicator light will flash until the transition to the new tilt angle is complete.

### 4. Setting speed:

- a. Press the function button below the speed/tilt display until the speed indicator light illuminates. You are now ready to set the speed.
- b. Press the up/down arrows below the speed/tilt display until you reach the desired speed. When you release the arrow button, the display will blink off and then on indicating the new set speed has been accepted.
- c. Press the on/off button to start the rocking/waving function. The indicator light below the speed/tilt display will flash until the transition to the set speed is complete, then the light will stay illuminated indicating the rocking/waving function is in use.

## INCUBATING ROCKER/WAVER OPERATING INSTRUCTIONS (CONT'D)

- d. To stop rocking/waving function, press the on/off button below the speed/tilt display. The unit will complete one full rotation then stop in the horizontal "home" position. The speed indicator light will flash until the rotation is complete. When the cycle is complete, the unit will automatically move to standby mode and the standby indicator light will illuminate.

### OPERATING TIPS

When the unit is running at slow speeds or high angles, making large changes to the tilt angle or speed may take several minutes to complete. The quickest way to make large changes to the speed or tilt angle is to stop the unit, change the speed or tilt angle, then restart by pressing the on/off button below the speed/tilt display.

5. **Setting time to zero (0:00) and continuous mode:** Accumulated time.
  - a. Press and hold the on/off button below the time display. After three (3) seconds, the display will indicate the previous set time.
  - b. Simultaneously press both the up and down arrows, the display will indicate zero (0:00). The unit time is now set to zero (0:00) minutes. Alternately, you can use the up/down arrows to get to zero (0:00).
  - c. Press the on/off button below the time display. The display will indicate the accumulated time. The up/down arrows will become inactive. To stop timer, press the on/off button again. **IMPORTANT:** This will **NOT** interrupt the rocking/waving function. Press the on/off button below the speed/tilt display to interrupt the rocking/waving function.
  - d. To re-set, press and hold the on/off button below the time display. After three (3) seconds, the display will indicate the previous set time, which was zero (0:00).
6. **Setting timed mode:** Programmed time.
  - a. Press the up/down arrows below the time display until you reach the desired time.

- b. Start this function by pressing the on/off button below the time display. The unit will run for the selected time, the up/down arrows will become inactive while the timer is running. The unit will stop rocking/waving when time display reaches zero (0:00). Four (4) audible beeps will indicate the time down function is complete. The time display will default back to the set time. To repeat for the same time, simply depress the on/off button again.
- c. To interrupt an automatic timing cycle before it is completed, press the on/off button below the time display. The time display will flash off and on to indicate the time function is on "hold". **IMPORTANT:** This will **NOT** interrupt the rocking/waving function. Press the on/off button below the speed/tilt display to interrupt the rocking/waving function. Restart the timer by pressing the on/off button below the time display, unit will continue counting down to zero (0:00). When the display reaches zero (0:00), you will hear the four (4) audible beeps that indicate the time down function is complete and the rocking/waving function will cease.

### 7. Turning unit off:

- a. To turn unit off, press the standby button. The temperature, speed/tilt and time displays will be blank, the standby indicator light will illuminate. The Incubating Rocker/Waver should be kept in standby mode when not in use. To completely cut off power to the unit, disconnect the power cord from the unit or un-plug from the wall outlet.

### OPERATING TIPS

Built-in memory maintains the last used temperature, speed/tilt and time settings during a power interruption.

A built-in program will shut power off to the motor if the platform tray is prevented from rocking/waving, or the unit is overloaded beyond it's recommended weight capacity.



## TROUBLESHOOTING

During operation, any rattling or ticking sounds may indicate a loose screw on the platform tray, tray attachment or accessory. All accessories should be sufficiently tightened in place before starting the unit.

Error	Cause of Error	How to Fix
E1	RTD open or temperature over 100°C (212°F) for an Incubating Unit	This error cannot be fixed by the end user. Unplug the unit and please contact your Ohaus representative for repair.
E2	RTD shorted or temperature below 0°C (32°F) for an Incubating Unit	This error cannot be fixed by the end user. Unplug the unit and please contact your Ohaus representative for repair.
E3	Mechanical obstruction Ceased motor Drive belt broken	<p>Press the standby button to clear this error. If the E03 error persists, along with grinding, knocking or rubbing noises, un-plug the unit and contact your Ohaus representative for repairs.</p> <p>In the event of an errant E03 error, such as someone inadvertently touching the platform tray while the unit is running, the unit will automatically go to the horizontal "home" position and restart.</p> <p>In the event of an obstruction left under the tray, which would cause the unit to continually restart, the unit will attempt to auto home and restart four (4) times and then stop running, displaying an E03 error. This error can be cleared by the user by pressing the standby button.</p>
E4	Maximum load exceeded	Press the standby button to clear this error. Be sure the load is within the maximum load specification before restarting the unit. If problem persists, unplug the unit and please contact your Ohaus representative for repair.



Manuel d'instructions

Agitateur de basculement d'incubation, ISRK04HDG

Agitateur d'incubation, ISWV02HDG

EN - English	.....	1
FR - Français	.....	9
ES - Español	.....	18
IT - Italiano	.....	27
DE - Deutsch	.....	36
PT - Português	.....	45
NL - Nederlands	.....	54
NO - Norsk	.....	58
DA - Dansk	.....	62
SV - Svenska	.....	66
FI - Suomi	.....	70
HU - Magyar	.....	74
PL - Polski	.....	78
CZ - Czech	.....	82
KR - Korean	.....	86



## TABLE DES MATIÈRES

Contenu de l'emballage	10
Des informations de service	10
Installation	11
Maintenance et réparation	11
Utilisation prévue	11
Conditions ambiantes	11
Consignes de sécurité	12
Normes et réglementations	12
Panneau de commande de l'incubateur	13
Spécifications de l'agitateur incubateur basculant	14
Spécifications de l'agitateur incubateur oscillant	14
Consignes d'utilisation de l'agitateur incubateur basculant / oscillant	15-16
Dépannage	17

### CONTENU DE L'EMBALLAGE

---

Agitateur de basculement d'incubation ou Agitateur d'incubation  
 Cordon d'alimentation  
 Manuel d'utilisation

### DES INFORMATIONS DE SERVICE

---

Si la section de dépannage ne permet pas de résoudre ou ne décrit pas le problème, contacter l'agent d'entretien agréé OHAUS. Pour un service d'assistance ou une prise en charge technique aux États-Unis, composer le numéro gratuit 1-800-672-7722, poste 7852 entre 8h00 et 17h00 (GMT - 5). Un spécialiste du service produit OHAUS est disponible pour apporter son aide. En dehors des États-Unis, bien vouloir se rendre sur notre site web, [www.ohaus.com](http://www.ohaus.com) pour rechercher la filiale OHAUS la plus proche.

Numéro de série: \_\_\_\_\_

Date d'achat: \_\_\_\_\_

Fournisseur: \_\_\_\_\_

## INSTALLATION

Dès réception de l'agitateur basculant/oscillant Ohaus, veuillez vous assurer qu'il n'a pas été endommagé pendant le transport. Il est important que tout dommage résultant du transport soit détecté lors du déballage. En cas de dommage, informez-en immédiatement le transporteur.

Après le déballage, placez l'agitateur basculant/oscillant sur un plan de travail ou une table de niveau, à l'écart de toute vapeur explosive. Assurez-vous que la surface de pose de l'appareil résiste à la chaleur habituellement générée par ce dernier et placez-le à une distance minimale de quinze (15) centimètres de toute surface verticale. Installez toujours l'appareil sur un plan de travail stable.

Un cordon d'alimentation est fourni avec l'agitateur basculant/oscillant. Celui-ci doit d'abord être inséré dans le connecteur IEC situé au dos de l'appareil, avant de le brancher à une prise correctement mise à la terre. L'appareil de 120 V ne peut être connecté qu'à une source d'alimentation de 120 volts, 50/60 Hz. L'appareil de 230 V ne peut être connecté qu'à une source d'alimentation de 230 volts, 50/60 Hz.

## MAINTENANCE ET RÉPARATION

L'agitateur basculant / oscillant a été conçu pour fonctionner longtemps de façon efficace et sans problème. Aucun graissage ni aucun autre entretien n'est requis de la part de l'utilisateur, si ce n'est de maintenir les surfaces de l'appareil propres. Vous devez effectuer les opérations suivantes au moins trois (3) mois :

- Débrancher l'unité.
- Retirer tous les débris accumulés au niveau de la base et du bac.
- Vérifier tous les éléments accessibles afin de s'assurer qu'ils sont correctement serrés.

L'appareil doit recevoir les soins normalement requis pour tout appareil électrique. L'unité doit être manipulée avec le même soin que tout autre appareil électrique. Évitez de la mouiller ou de l'exposer inutilement à des émanations. Tout liquide renversé doit être immédiatement essuyé et éliminé. Pour nettoyer le panneau frontal, n'utilisez jamais de nettoyeurs ou solvants ayant une action abrasive ou pouvant endommager les matières plastiques, ni aucun produit inflammable.

Assurez-vous toujours que l'appareil est hors tension avant de procéder à toute opération de nettoyage. Si l'unité nécessite une réparation, veuillez contacter votre représentant Ohaus.

## UTILISATION PRÉVUE

Les agitateurs basculants et oscillants sont prévus pour un usage général en laboratoire.

## CONDITIONS AMBIANTES

### Conditions de fonctionnement: Utilisation à l'intérieur uniquement

Températures:	De 5 à 40 °C (41 à 104°F)
Humidité:	80 % HR, sans condensation
Altitude:	De 0 à 6,562 ft (2000 M) au-dessus du niveau de la mer

### Stockage hors fonctionnement:

Températures:	De -20 à 65 °C (-4 à 149°F)
Humidité:	Maximum 80 % HR, sans condensation

Installation de catégorie II et degré de pollution 2 conformément à la norme CEI 664.

## ÉLIMINATION DU MATÉRIEL



Cet appareil ne doit pas être éliminé avec des déchets non triés. Il vous incombe d'éliminer l'unité de façon appropriée à la fin de son cycle de vie en la confiant à une entreprise agréée spécialisée dans la collecte de déchets triés et le recyclage. Il est également de votre responsabilité de décontaminer l'unité en cas de contamination biologique, chimique et / ou radiologique, afin de protéger de tout risque sanitaire les personnes impliquées dans l'élimination et le recyclage de l'unité.

Pour de plus amples informations sur les sites de collecte et d'élimination d'équipements mis au rebut, veuillez contacter le distributeur local auprès duquel vous avez acheté l'unité. Ce faisant, vous contribuerez à la conservation des ressources naturelles et environnementales, tout en vous assurant que l'unité est recyclée dans des conditions qui préservent la santé humaine.

## CONSIGNES DE SÉCURITÉ

Veuillez lire attentivement le mode d'emploi de l'appareil avant d'utiliser l'agitateur basculant / oscillant.



**AVERTISSEMENT! N'UTILISEZ JAMAIS** l'agitateur basculant / oscillant dans une atmosphère dangereuse ni avec aucune matière dangereuse pour laquelle l'unité n'a pas été conçue. L'utilisateur doit également garder à l'esprit que la protection de l'équipement peut être compromise s'il est utilisé avec des accessoires non fournis ni recommandés par le fabricant ou s'il est employé d'une manière non spécifiée par le fabricant.

Utilisez toujours l'unité sur une surface plane pour obtenir les meilleures performances avec un maximum de sécurité.

**NE SOULEVEZ JAMAIS** l'unité en l'empoignant par le plateau de la plateforme ou le couvercle.



**MISE EN GARDE!** Pour éviter tout risque de choc électrique, mettez l'unité complètement hors tension en débranchant le cordon d'alimentation de l'unité ou en retirant la fiche de la prise murale. Déconnectez l'unité de l'alimentation électrique avant toute opération de maintenance ou de réparation. **NE PLONGEZ JAMAIS** l'unité dans un liquide pour procéder à son nettoyage. **N'UTILISEZ JAMAIS** l'unité si elle présente un quelconque endommagement au niveau électrique ou mécanique.



**ATTENTION!** (Unités d'incubation uniquement) Ce voyant indicateur vous avertit que la température de la plaque du haut dépasse 40°C. La lumière brillera et restera allumée lorsque la température de la plaque du haut atteint environ 40°C. Lorsque la chaleur est éteinte, ce voyant restera allumé jusqu'à ce que la température de la plaque du haut soit inférieure à 40°C.







Prise de terre – Borne du conducteur de protection



Courant alternatif

## NORMES ET RÉGLEMENTATIONS

La conformité aux normes et réglementations suivantes est indiquée par la marque correspondante sur le produit.

Marque	Normes et réglementations
	OHAUS Corporation déclare que le Série SHRK, ISRK, ISWV agitateur est conforme aux directives 2011/63/UE, 2014/30/UE, 2014/35/UE et aux normes EN 50581, EN 61010-1, EN 61010-2-051, EN 61326-1. Le texte complet de la déclaration UE de conformité est disponible à l'adresse internet suivante: <a href="http://www.ohaus.com/ce">www.ohaus.com/ce</a> .
	Ce produit est conforme à la directive 2012/19/UE. Veuillez jeter ce produit conformément à la réglementation locale au point de collecte spécifié pour les équipements électriques et électroniques. Pour obtenir des instructions d'élimination en Europe, consultez <a href="http://www.ohaus.com/weee">www.ohaus.com/weee</a> .
	EN 61326-1
	CAN/CSA C22.2 61010-1, CAN/CSA C22.2 61010-2-051 UL 61010-1, UL 61010-2-051

Avis Global

Avertissement: Il s'agit d'un produit de classe A. Dans un environnement domestique, ce produit peut causer des interférences radio, auquel cas l'utilisateur peut être amené à prendre des mesures adéquates.

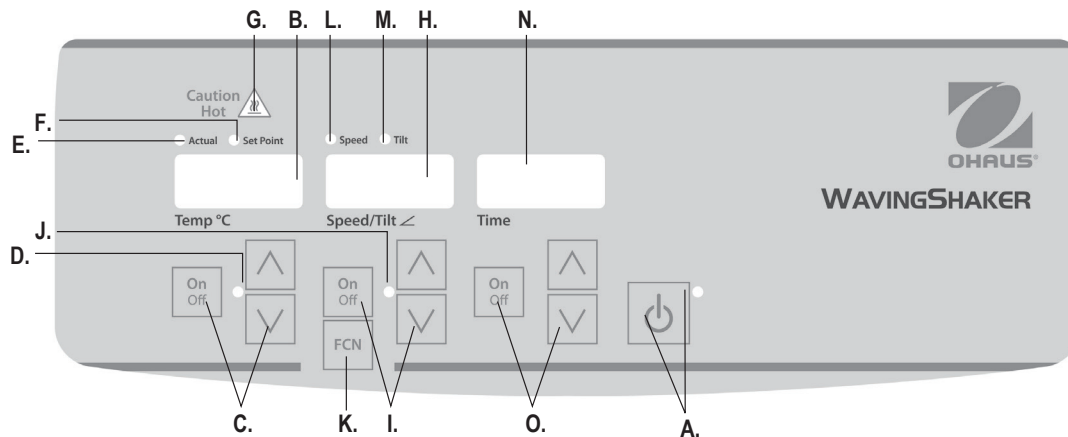
Canada Avis

Cet appareil numérique de classe A est conforme à la norme ICES-003 du Canada.

Avis de la FCC

REMARQUE: Cet équipement a été testé et déclaré conforme aux limites d'un appareil numérique de classe A, conformément à la partie 15 des règles de la FCC. Ces limites sont conçues pour fournir une protection raisonnable contre les interférences nuisibles lorsque l'équipement est utilisé dans un environnement commercial. Cet équipement génère, utilise et peut émettre de l'énergie radiofréquence et, s'il n'est pas installé et utilisé conformément au manuel d'instructions, peut causer des interférences nuisibles aux communications radio. Le fonctionnement de cet équipement dans une zone résidentielle est susceptible de causer des interférences nuisibles, auquel cas l'utilisateur devra corriger l'interférence à ses propres frais.

Les modifications ou modifications non expressément approuvées par Ohaus Corporation peuvent annuler l'autorisation de l'utilisateur d'utiliser l'équipement.



## PANNEAU DE COMMANDE DE L'AGITATEUR INCUBATEUR BASCULANT/OSCILLANT

Le panneau frontal de l'agitateur incubateur basculant/oscillant réunit toutes les commandes et tous les affichages nécessaires au fonctionnement de l'appareil.

- A. Touche/voyant Veille:** Le voyant Veille s'allume lorsque l'unité est branchée. L'unité passe alors en mode Veille. Appuyez sur la touche Veille pour activer les fonctions de température, de vitesse / d'inclinaison et de minuterie. Le voyant Veille s'éteint alors et les écrans d'affichage de la température, de la vitesse / d'inclinaison et de la minuterie s'allument. Il suffit d'appuyer une nouvelle fois sur la touche Veille pour basculer à nouveau l'unité en mode Veille.
- B. Affichage de la température:** L'écran affiche la température réelle / réglée parallèlement au voyant réel / réglé. **C.** Les flèches de déplacement vers le haut / bas permettent de contrôler le point de réglage, alors que la touche Marche / Arrêt permet d'activer / de désactiver la fonction de chauffage. **D.** Le voyant de chauffage reste allumé lors du chauffage de l'unité.
- E. Voyant de la température réelle:** Ce voyant s'allume lorsque la température affichée correspond à la température réelle de l'air dans l'enceinte.
- F. Voyant de la température réglée:** Ce voyant s'allume lorsque la température réglée est affichée.
- G. Voyant avertisseur de température élevée:** Ce voyant s'allume lorsque la température de l'air de l'enceinte est supérieure à 40 °C (104 °F).

- H. Affichage de la vitesse/l'inclinaison:** Cet écran affiche la vitesse et l'inclinaison de l'unité.
- I.** Les flèches de déplacement vers le haut/bas permettent de contrôler le point de réglage, alors que la touche Marche/Arrêt permet d'activer / de désactiver la fonction de basculement/d'oscillation. **J.** Le voyant de la vitesse/l'inclinaison reste allumé lors du basculement/de l'oscillation de l'unité.
- K. Touche de fonction:** Appuyez sur cette touche pour sélectionner la fonction de paramétrage souhaitée : vitesse ou inclinaison.
- L. Voyant de la vitesse:** Ce voyant s'allume lorsque la vitesse est affichée.
- M. Voyant de l'inclinaison:** Ce voyant s'allume lorsque l'angle d'inclinaison est affiché.
- N. Affichage de la minuterie:** Cet écran affiche le temps accumulé (mode continu) ou le temps restant (mode programmé). **O.** Les flèches de déplacement vers le haut / bas permettent de contrôler le point de réglage, alors que la touche Marche/Arrêt permet d'activer/de désactiver la fonction de minuterie. La plage d'affichage s'étend de 0 à 9 999 minutes par incréments d'une (1) seconde. L'écran affiche les minutes et les secondes jusqu'à ce que la minuterie atteigne 99 minutes et 59 secondes (99:59). Dépassé ce stade, il affichera automatiquement les minutes jusqu'à 9 999.

**SPÉCIFICATIONS DE L'AGITATEUR INCUBATEUR BASCULANT**

<b>Dimensions de l'unité (L x l. x H.):</b>	16,5 x 10,1 x 10,8" (41,9 x 25,7 x 27,4cm)
<b>Dimensions internes (L x l.):</b>	10,75 x 7,75 x 3,8" (27,3 x 19,7 x 9,7cm)
<b>Dimensions du plateau (L x P):</b>	10 x 7,5" (25,4 x 19,1cm)
<b>Alimentation électrique (50/60 Hz):</b>	120 volts AC, 3,74 ampères, 420 watts 230 volts AC, 1,87 ampères, 420 watts
<b>Fusibles:</b>	5 mm x 20 mm, 5 A, à action rapide
<b>Plage de température:</b>	Température ambiante de +5° à 65°C
<b>Uniformité de la température:</b>	± 0,5 °C à 37 °C
<b>Plage de vitesse:</b>	De 1 à 50 tr/min*
<b>Précision de la vitesse:</b>	± 1 tr/min
<b>Angle d'inclinaison:</b>	De 0 à 15°*
<b>Capacité de charge:</b>	10 lb (4,5 kg)**
<b>Minuterie:</b>	Digitale, de 1 seconde à 9 999 minutes (par incréments de 1 seconde)
<b>Commandes:</b>	Voir page 13
<b>Matériau du plateau:</b>	aluminium
<b>Poids d'expédition:</b>	13,5lbs (6,1 kg)

\* La vitesse maximale/l'angle d'inclinaison maximal peut varier avec des charges lourdes ou mal équilibrées.

\*\* Charge centrée sur le plateau.

**SPÉCIFICATIONS DE L'AGITATEUR INCUBATEUR OSCILLANT**

<b>Dimensions de l'unité (L x l. x H.):</b>	16,5 x 10,1 x 10,8" (41,9 x 25,7 x 27,4cm)
<b>Dimensions internes (L x l.):</b>	10,75 x 7,75 x 3,4" (27,3 x 19,7 x 8,6cm)
<b>Dimensions du plateau (L x P):</b>	9,25 x 7,25" (23,5 x 18,4cm)
<b>Alimentation électrique (50/60 Hz):</b>	120 volts AC, 3,74 ampères, 420 watts 230 volts AC, 1,87 ampères, 420 watts
<b>Fusibles:</b>	5 mm x 20 mm, 5 A, à action rapide
<b>Plage de température:</b>	Température ambiante de +5° à 65°C
<b>Uniformité de la température:</b>	± 0,5 °C à 37 °C
<b>Plage de vitesse:</b>	De 1 à 30 tr/min*
<b>Précision de la vitesse:</b>	± 1 tr/min
<b>Angle d'inclinaison:</b>	De 0 à 20°*
<b>Capacité de charge:</b>	5 lb (2,3 kg)**
<b>Minuterie:</b>	Digitale, de 1 seconde à 9 999 minutes (par incréments de 1 seconde)
<b>Commandes:</b>	Voir page 13
<b>Matériau du plateau:</b>	aluminium
<b>Poids d'expédition:</b>	14,5lbs (6,6kg)

\* La vitesse maximale/l'angle d'inclinaison maximal peut varier avec des charges lourdes ou mal équilibrées.

\*\* Charge centrée sur le plateau.

## CONSIGNES D'UTILISATION DE L'AGITATEUR INCUBATEUR BASCULANT/OSCILLANT

Les agitateurs incubateurs basculants/oscillants Ohaus sont utilisés pour préparer des échantillons à des fins d'essai. Ces unités ont été conçues pour une utilisation indépendante des fonctions de température, de vitesse/d'inclinaison et de minuterie. Ainsi, la température et la vitesse/l'inclinaison peuvent être réinitialisées sans que la minuterie soit remise à zéro et cette dernière peut être arrêtée et démarrée sans que les fonctions de basculement/d'oscillation soient interrompues.

### 1. Préparation:

- a. Insérez la fiche du cordon d'alimentation dans une prise correctement mise à la terre. Le voyant Veille s'allumera alors pour indiquer que l'unité est sous tension. Placez manuellement le plateau de la plateforme dans une position initiale la plus horizontale possible avant de mettre l'unité en marche.
- b. Appuyez sur la touche Veille pour faire sortir l'unité du mode Veille. Le voyant Veille s'éteindra alors et les écrans d'affichage de la température, de la vitesse/l'inclinaison et de la minuterie s'allumeront en rappelant les paramètres utilisés précédemment.

### 2. Réglage de la température:

- a. Appuyez sur les touches de déplacement vers le haut/bas sous l'écran de la température jusqu'à obtention de la température souhaitée. Lorsque vous relâchez la touche fléchée, l'écran se met à clignoter pour indiquer que la nouvelle température paramétrée est acceptée.
- b. Appuyez sur la touche Marche/Arrêt pour activer la fonction de chauffage. Le voyant situé sous l'écran de la température s'allumera pour indiquer que la fonction de chauffage est activée. Vous entendrez cinq (5) bips sonores lorsque la température paramétrée est atteinte.
- c. Les ajustements de la température du point de réglage peuvent être effectués à l'aide des touches de déplacement vers le haut/bas situées sous l'écran de la température, sans interrompre le processus de chauffage. Lorsque vous relâchez la touche après que le changement ait été effectué, l'écran se met à clignoter pour indiquer que la nouvelle température paramétrée est acceptée.
- d. Pour interrompre le processus de chauffage, il vous suffit d'appuyer sur le bouton Marche/Arrêt sous l'écran de la température. Dans ce cas, le voyant de chauffage s'éteindra.

### Voyant avertisseur de température élevée:

Le voyant avertisseur de température élevée avise que la température de l'air dans l'enceinte est supérieure à 40 °C. Le voyant s'allumera et restera allumé jusqu'à ce que la température de l'air dans l'enceinte atteigne environ 40 °C. Lorsque le chauffage est arrêté, ce voyant restera allumé jusqu'à ce que la température de l'air dans l'enceinte soit descendue sous 40 °C.



3. **Réglage de l'inclinaison:** L'inclinaison électronique permet à l'utilisateur d'ajuster l'angle de mouvement du plateau alors que l'unité bascule/oscille ou est à l'arrêt.
  - a. Appuyez sur la touche de fonction située sous l'écran de la vitesse/l'inclinaison jusqu'à ce que le voyant d'inclinaison s'allume. Vous pouvez à présent régler l'angle d'inclinaison.
  - b. Appuyez sur les touches de déplacement vers le haut/bas sous l'écran de la vitesse/l'inclinaison jusqu'à obtention de l'angle souhaité. Lorsque vous relâchez la touche fléchée, l'écran se met à clignoter pour indiquer que le nouvel angle paramétré est accepté. L'unité effectuera alors une rotation complète en suivant l'angle réglé précédemment, puis passera doucement au nouvel angle programmé. Le voyant d'inclinaison clignotera jusqu'à ce que la transition vers le nouvel angle d'inclinaison soit terminée.
4. **Réglage de la vitesse:**
  - a. Appuyez sur la touche de fonction située sous l'écran de la vitesse/l'inclinaison jusqu'à ce que le voyant de vitesse s'allume. Vous pouvez à présent régler la vitesse.
  - b. Appuyez sur les touches de déplacement vers le haut/bas sous l'écran de la vitesse/l'inclinaison jusqu'à obtention de la vitesse souhaitée. Lorsque vous relâchez la touche fléchée, l'écran se met à clignoter pour indiquer que la nouvelle vitesse paramétrée est acceptée.
  - c. Appuyez sur la touche Marche/Arrêt pour activer la fonction de basculement/d'oscillation. Le voyant situé sous l'écran de la vitesse/l'inclinaison clignotera jusqu'à ce que la transition vers la vitesse paramétrée soit terminée. Le voyant restera ensuite allumé pour indiquer que la fonction de basculement/d'oscillation est activée.
  - d. Pour désactiver la fonction de basculement/d'oscillation, il vous suffit d'appuyer sur la touche Marche/Arrêt sous l'écran de la vitesse/l'inclinaison. L'unité effectuera une rotation complète avant de s'arrêter sur la position initiale horizontale. Le voyant de la vitesse clignotera jusqu'à ce que la rotation soit terminée. Au terme du cycle, l'unité basculera automatiquement en mode Veille. Dans ce cas, le voyant Veille s'allumera.



## CONSIGNES D'UTILISATION DE L'AGITATEUR INCUBATEUR BASCULANT/OSCILLANT (SUITE)

### CONSEILS D'UTILISATION

Lorsque l'unité fonctionne à de faibles vitesses ou avec de grands angles, toute modification importante de l'angle d'inclinaison ou de la vitesse peut prendre plusieurs minutes pour que la transition soit complète. Le moyen le plus rapide pour apporter d'importantes modifications à la vitesse ou l'angle d'inclinaison consiste à arrêter l'unité, à changer la vitesse ou l'angle d'inclinaison, puis à redémarrer l'unité en appuyant sur la touche Marche/Arrêt sous l'écran de la vitesse/l'inclinaison.

5. **Remise à zéro de la minuterie (0:00) et paramétrage du mode continu:** temps accumulé
  - a. Appuyez sur la touche Marche/Arrêt sous l'écran de la minuterie et maintenez-la enfoncée. Après trois (3) secondes, l'écran affichera le temps paramétré précédemment.
  - b. Appuyez ensuite simultanément sur les deux touches de déplacement vers le haut et vers le bas pour remettre le compteur à zéro (0:00). La minuterie de l'unité est maintenant réglée sur zéro (0:00) minute. Vous pouvez également utiliser les touches de déplacement vers le haut/bas pour remettre la minuterie à zéro (0:00).
  - c. Appuyez sur la touche Marche/Arrêt sous l'écran de la minuterie. Celui-ci affichera le temps accumulé. Les touches de déplacement vers le haut/bas seront alors inactivées. Pour arrêter la minuterie, il vous suffit d'appuyer à nouveau sur la touche Marche/Arrêt. **IMPORTANT:** Cette opération **N'INTERROMPRA PAS** la fonction de basculement/d'oscillation. Pour arrêter celle-ci, il faut appuyer sur la touche Marche/Arrêt sous l'écran de la vitesse/l'inclinaison.
  - d. Pour réinitialiser la minuterie, appuyez sur la touche Marche/Arrêt sous l'écran de la minuterie et maintenez-la enfoncée. Après trois (3) secondes, l'écran affichera le temps précédemment programmé, soit zéro (0:00).
6. **Paramétrage du mode programmé:** temps programmé
  - a. Appuyez sur les touches de déplacement vers le haut/bas sous l'écran de la minuterie jusqu'à obtention de la durée souhaitée.
  - b. Lancez cette fonction en appuyant sur la touche Marche/Arrêt sous l'écran de la minuterie. L'unité fonctionnera alors pendant la durée sélectionnée et les touches de déplacement vers le haut/bas seront inactives tant que la minuterie est en marche. L'unité suspendra le basculement/l'oscillation lorsque l'écran de la minuterie arrive à zéro (0:00). Vous entendrez alors quatre (4) bips sonores qui indiquent que le temps programmé est écoulé. L'écran de la minuterie affichera par défaut le temps paramétré. Pour répéter une opération de la même durée, il suffit d'appuyer à nouveau sur la touche Marche/Arrêt.

- c. Pour interrompre un cycle de durée automatique avant la fin, il convient d'appuyer sur la touche Marche/Arrêt sous l'écran de la minuterie. L'écran de la minuterie clignotera pour indiquer que la fonction chronométrique a été suspendue. **IMPORTANT:** Cette opération **N'INTERROMPRA PAS** la fonction de basculement/d'oscillation. Pour arrêter celle-ci, il faut appuyer sur la touche Marche/Arrêt sous l'écran de la vitesse/l'inclinaison. Redémarrez la minuterie en appuyant sur la touche Marche/Arrêt sous l'écran de la minuterie, et l'unité reprendra le compte à rebours jusqu'à zéro (0:00). Lorsque l'écran affiche zéro (0:00), vous entendrez quatre (4) bips sonores indiquant que le temps programmé est écoulé et que la fonction de basculement/d'oscillation va s'arrêter.

### 7. Mise hors service de l'unité:

- a. Pour éteindre l'unité, appuyez sur la touche Veille. Les écrans de la température, du basculement/de l'oscillation et de la minuterie n'afficheront plus rien et le voyant Veille s'allumera. Lorsqu'il n'est pas utilisé, l'agitateur incubateur basculant/oscillant doit être maintenu en mode Veille. Pour couper l'alimentation de l'unité, il vous suffit de débrancher le cordon d'alimentation de l'unité ou de retirer la fiche de la prise murale.

### CONSEILS D'UTILISATION

La mémoire interne conserve les derniers paramètres de la température, de la vitesse/l'inclinaison et de la minuterie pendant une coupure de courant.

Un programme intégré arrêtera le moteur si un obstacle empêche le plateau de la plateforme d'effectuer les opérations de basculement/d'oscillation ou si l'unité est chargée au-delà de sa capacité de charge recommandée.

## DÉPANNAGE

Tout bruit de cliquetis pendant le fonctionnement peut être l'indice d'une vis desserrée au niveau du plateau de la plateforme, du dispositif d'assujettissement du plateau ou d'un accessoire. Tous les accessoires doivent être correctement placés et fixés avant la mise en service de l'unité.

Erreur	Cause de l'erreur	Solution
E1	DTR ouvert ou température supérieure à 100 °C dans l'unité d'incubation	Cette erreur ne peut être résolue par l'utilisateur final. Débranchez l'unité et contactez votre représentant Ohaus pour la réparation.
E2	DTR court-circuité ou température inférieure à 0 °C dans l'unité d'incubation	Cette erreur ne peut être résolue par l'utilisateur final. Débranchez l'unité et contactez votre représentant Ohaus pour la réparation.
E3	Obstruction mécanique Arrêt du moteur Rupture de la courroie d'entraînement	Appuyez sur la touche Veille pour effacer ce message d'erreur. Si l'erreur E3 persiste et va de pair avec un bruit de grincement, de cognement ou de frottement, débranchez l'unité et contactez votre représentant Ohaus pour la réparation.  Dans l'éventualité d'une erreur E3 accidentelle, telle qu'une situation où une personne touche par inadvertance le plateau de la plateforme alors que l'unité est en fonctionnement, celle-ci se mettra automatiquement dans la position horizontale initiale avant de redémarrer.  Dans le cas d'un objet entravant le mouvement du plateau, ce qui entraînerait un redémarrage répété de l'unité, celle-ci essaiera automatiquement de revenir en position initiale et redémarrera quatre (4) fois avant de s'arrêter complètement en affichant un message d'erreur E3. Il suffit alors à l'utilisateur d'effacer cette erreur en appuyant sur le bouton Veille.
E4	Dépassement de la charge maximale	Appuyez sur la touche Veille pour effacer ce message d'erreur. Assurez-vous que la charge soit comprise dans la plage de charge maximale avant de redémarrer l'unité. Si le problème persiste, débranchez l'unité et contactez votre représentant Ohaus pour la réparation.



Manual de instrucciones  
Agitador Incubador basculante, ISRK04HDG  
Agitador Incubador de vaivén, ISWV02HDG

EN - English	.....	1
FR - Français	.....	9
ES - Español	.....	18
IT - Italiano	.....	27
DE - Deutsch	.....	36
PT - Português	.....	45
NL - Nederlands	.....	54
NO - Norsk	.....	58
DA - Dansk	.....	62
SV - Svenska	.....	66
FI - Suomi	.....	70
HU - Magyar	.....	74
PL - Polski	.....	78
CZ - Czech	.....	82
KR - Korean	.....	86

## ÍNDICE

Contenidos del paquete	. . . . .	19
Servicio de información	. . . . .	19
Instalación	. . . . .	20
Mantenimiento y servicio	. . . . .	20
Uso previsto	. . . . .	20
Condiciones ambientales	. . . . .	20
Instrucciones de seguridad	. . . . .	21
Estándares y normativas	. . . . .	21
Panel de control de incubación	. . . . .	22
Especificaciones de oscilación de incubación.	. . . . .	23
Especificaciones de vibración de incubación.	. . . . .	23
Instrucciones de funcionamiento de oscilación/vibración de incubación.	. . . . .	24-25
Resolución de problemas	. . . . .	26

### CONTENIDOS DEL PAQUETE

Agitador Incubador basculante o Agitador Incubador de vaivén  
 Cable de electricidad  
 Manual de instrucciones

### SERVICIO DE INFORMACIÓN

Si el apartado de resolución de problemas no le resulta útil para resolver un problema, puede ponerse en contacto con su agente autorizado OHAUS. Para servicio o soporte técnico en los Estados Unidos puede llamar al servicio de atención al cliente al número gratuito :1-800-672-7722 ext. 7852 entre las 8:00 AM y las 5:00 PM EST. Un especialista en los productos OHAUS se hallará disponible para brindarle la asistencia técnica necesaria. Si reside fuera de la Estados Unidos, por favor, visite nuestra web :[www.ohaus.com](http://www.ohaus.com) o localice las oficinas de OHAUS más cercanas.

Número de serie: \_\_\_\_\_

Fecha de compra: \_\_\_\_\_

Proveedor: \_\_\_\_\_

## INSTALACIÓN

Cuando reciba el oscilador/vibrador Ohaus, compruebe que no haya sufrido daños durante el transporte. Es importante que cualquier daño que la unidad haya sufrido durante el transporte sea detectado al momento de desempacarla. Si encontrara algún daño, deberá notificarlo de inmediato a la empresa transportista.

Cuando haya terminado de desempacar la unidad, coloque el oscilador/vibrador sobre una repisa o una mesa de trabajo nivelada, alejado de vapores explosivos. Cerciórese de que la superficie sobre la que coloca la unidad esté en condiciones de soportar el calor normal producido por esta unidad y colóquela a una distancia mínima de seis (6) pulgadas de las superficies verticales. Siempre coloque la unidad sobre una superficie de trabajo sólida y resistente.

Para conectar el oscilador/vibrador a un tomacorriente con conexión a tierra, primero hay que insertar el cable de alimentación en el conector IEC que se encuentra en la parte posterior de la unidad. La unidad de 120 V debe conectarse a un suministro de 120 V y 50/60 Hz. La unidad de 230 V debe conectarse a un suministro de 230 V y 50/60 Hz.

## MANTENIMIENTO Y SERVICIO

El oscilador/vibrador está fabricado para proporcionar un servicio prolongado, confiable y sin problemas. No requiere ningún tipo de lubricación u otro tipo de mantenimiento técnico por parte del usuario. Sin embargo, al menos cada tres (3) meses, deberá:

- Desenchufar la unidad.
- Eliminar la suciedad acumulada en la base y la bandeja.
- Comprobar todos los elementos accesibles para asegurarse de que estén ajustados correctamente.

El único mantenimiento que necesita por parte del usuario es que conserve las superficies limpias. La unidad requiere el mismo tipo de cuidados que cualquier otro tipo de aparato eléctrico. Evite el derrame de líquidos y la exposición innecesaria a vapores. Los derrames deben limpiarse inmediatamente. No utilice agentes de limpieza ni solventes abrasivos, inflamables o que dañen el plástico

del panel frontal. Cerciórese siempre de desconectar la alimentación eléctrica de la unidad antes de proceder a cualquier tipo de limpieza. Si la unidad requiere mantenimiento, póngase en contacto con el representante local de Ohaus.

## USO PREVISTO

Los osciladores y vibradores están indicados para uso general de laboratorio.

## CONDICIONES AMBIENTALES

**Condiciones de operación:** Uso exclusivo en interiores.

Temperatura:	5 a 40 °C (41 a 104 °F)
Humedad:	80% de humedad relativa, no condensante
Altitud:	0 a 6,562 ft (2000 M) sobre el nivel del mar

**Condiciones de almacenamiento:**

Temperatura:	-20 a 65 °C (-4 to 149°F)
Humedad:	80 % de humedad relativa máxima, no condensante

Instalación de Categoría II y Grado de contaminación 2 según la norma IEC 664.

## ELIMINACIÓN DEL EQUIPO

Este equipo no debe ser desechado con desperdicios no clasificados. Usted es responsable de desechar correctamente la unidad al final de su vida útil, llevándolo a un establecimiento autorizado para recolección y reciclaje diferenciado. Además usted es responsable de descontaminarlo en caso que esté contaminado con agentes biológicos, químicos y/o radiológicos, para proteger a las personas involucradas en la disposición y reciclaje de equipos contra peligros a la salud.



Si desea obtener más información en cuanto a dónde entregar su equipo desechado, póngase en contacto con su distribuidor local donde lo compró originalmente. Al cerciorarse de que su equipo es reciclado de forma tal que proteja la salud humana, usted contribuye a la conservación de los recursos naturales y ambientales.

## INSTRUCCIONES DE SEGURIDAD

Lea el manual de instrucciones en su totalidad antes de comenzar a utilizar el oscilador/vibrador.



**¡ADVERTENCIA!** NO utilice el oscilador/vibrador en atmósferas peligrosas o con materiales peligrosos para los que no fue diseñado. Además, el usuario debe tener en cuenta que la protección que proporciona la unidad podría verse afectada si se utiliza con accesorios que no hayan sido suministrados o recomendados por el fabricante o bien al utilizarlos de un modo distinto al especificado por el fabricante.

Para lograr un mejor rendimiento y obtener la máxima seguridad, utilice siempre la unidad sobre una superficie nivelada.

**NO** eleve la plataforma por la bandeja o la tapa de la plataforma.

**¡PRECAUCIÓN!** Para evitar descargas eléctricas desconecte completamente el suministro de energía eléctrica al equipo, retirando el cable de alimentación eléctrica del mismo o bien desenchufándolo del tomacorriente de la pared. Antes de realizar operaciones de mantenimiento y reparación en la unidad desconecte el suministro eléctrico. **NO** sumerja la unidad para limpiarla. **NO** opere la unidad si presenta señales de desperfectos eléctricos o mecánicos.



**¡ATENCIÓN!** (Solo Unidades de incubación) El indicador luminoso de superficie caliente advierte que la temperatura de la placa superior está por encima de 40 °C. La luz se encenderá y permanecerá encendida cuando la temperatura de la placa superior alcance aproximadamente 40 °C. Al desactivar la operación de calor, el indicador luminoso de superficie caliente permanecerá encendido hasta que la temperatura de la placa superior baje de 40 °C.







Terminal conductor con protector y puesta a tierra



Corriente alterna

## ESTÁNDARES Y REGULACIONES

La conformidad a los estándares y regulaciones siguientes es indicada por la marca correspondiente en el producto.

Marca	Estándares y regulaciones
	OHAUS Corporation declara que el Serie SHRK, ISRK, ISWV agitadores cumple con las directivas 2011/63/UE, 2014/30/UE, 2014/35/UE y las normas EN 50581, EN 61010-1, EN 61010-2-051, EN 61326-1. El texto completo de la declaración de conformidad de la UE está disponible en la dirección Internet siguiente: <a href="http://www.ohaus.com/ce">www.ohaus.com/ce</a> .
	Este producto cumple con la directiva 2012/19/UE. Elimine este producto, según las disposiciones locales, mediante el sistema de recogida selectiva de aparatos eléctricos y electrónicos. Para obtener instrucciones de eliminación en Europa, consulte <a href="http://www.ohaus.com/weee">www.ohaus.com/weee</a> .
	EN 61326-1
	CAN/CSA C22.2 61010-1, CAN/CSA C22.2 61010-2-051 UL 61010-1, UL 61010-2-051

Aviso Global

Advertencia: Este es un producto de Clase A. En un entorno doméstico, este producto puede causar interferencias de radio, en cuyo caso el usuario puede ser obligado a tomar las medidas adecuadas.

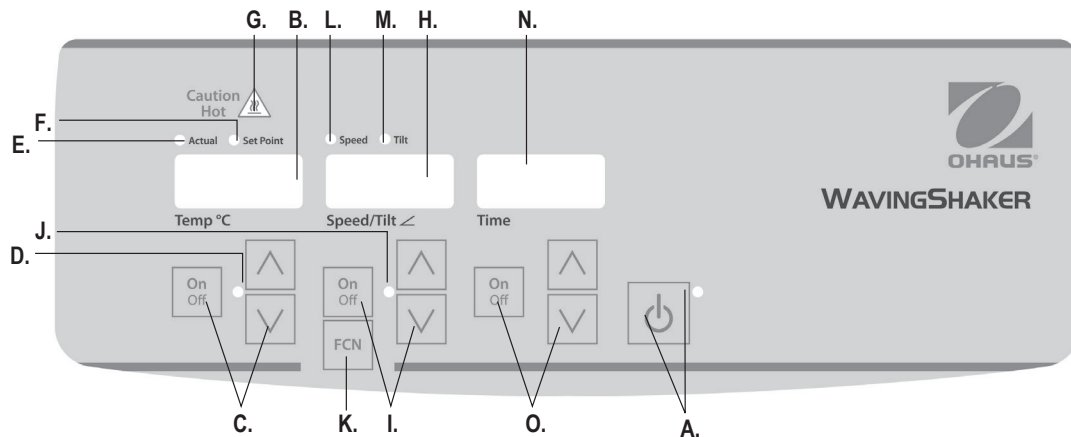
Canadá Aviso

Este aparato digital de Clase A cumple con la norma canadiense ICES-003.

Aviso de la FCC

NOTA: Este equipo ha sido probado y cumple con los límites para un dispositivo digital de Clase A, de acuerdo con la Parte 15 de las Reglas de la FCC. Estos límites están diseñados para proporcionar una protección razonable contra interferencias dañinas cuando el equipo se opera en un entorno comercial. Este equipo genera, utiliza y puede irradiar energía de radiofrecuencia y, si no se instala y utiliza de acuerdo con el manual de instrucciones, puede causar interferencia perjudicial a las comunicaciones de radio. El funcionamiento de este equipo en una zona residencial es probable que cause interferencia perjudicial en cuyo caso el usuario deberá corregir la interferencia a su propio costo.

Los cambios o modificaciones no aprobados expresamente por Ohaus Corporation pueden anular la autoridad del usuario para operar el equipo.



## PANEL DE CONTROL DEL OSCILADOR/VIBRADOR DE INCUBACIÓN

El panel frontal del oscilador/vibrador de incubación contiene todos los controles y pantallas necesarios para operar la unidad.

- A. Botón / indicador luminoso de espera:** La luz del botón de espera se enciende cuando se enchufa la unidad, la que permanece en modo de espera. Presione el botón de reserva activa para iniciar las funciones de temperatura, de velocidad/inclinación y de tiempo. El indicador luminoso del modo de espera se apagará y las pantallas de temperatura, de velocidad/inclinación y de tiempo se iluminarán. Presione una vez más el botón de espera y la unidad estará nuevamente en el modo de espera.
- B. Pantalla de temperatura:** Muestra las temperaturas reales/punto de ajuste junto con los indicadores luminosos reales/punto de ajuste. **C.** Flechas arriba/abajo para control del punto de ajuste. El botón de encendido/apagado inicia/detiene la función de calentamiento. **D.** El indicador luminoso de calor se enciende cuando la unidad está calentando.
- E. Indicador luminoso real:** Se enciende cuando la temperatura que aparece en la pantalla es la temperatura real del aire en la cámara.
- F. Luz indicadora punto de ajuste:** Se enciende cuando la temperatura del punto de ajuste aparece en la pantalla.

- G. Indicador luminoso de calor:** Se enciende cuando la temperatura del aire de la cámara supera los 40 °C (104 °F).
- H. Pantalla de velocidad/inclinación:** Muestra la velocidad y la inclinación de la unidad. **I.** Flechas arriba/abajo para control del punto de ajuste. El botón de encendido/apagado inicia/detiene la función de oscilación/vibración. **J.** El indicador luminoso de velocidad/inclinación se enciende cuando la unidad está oscilando/vibrando.
- K. Botón de función:** Presione para elegir la función que está eligiendo: velocidad o inclinación.
- L. Indicador luminoso de velocidad:** Se ilumina al mostrar la velocidad.
- M. Indicador luminoso de inclinación:** Se ilumina al mostrar el ángulo de inclinación.
- N. Pantalla de tiempo:** Indica el tiempo acumulado (modo continuo) o el tiempo restante (modo cronometrado). **O.** Flechas arriba/abajo para control del punto de ajuste. El botón de encendido/apagado inicia/detiene la función de tiempo. El rango de visualización es de 0 a 9999 minutos con incrementos de un (1) segundo. En la pantalla van a aparecer los minutos y segundos hasta que el temporizador llegue a 99 minutos y 59 segundos (99:59) y después presenta automáticamente minutos, hasta 9999.

**ESPECIFICACIONES DE OSCILACIÓN DE INCUBACIÓN.**

<b>Dimensiones generales (L x A x A):</b>	16,5 x 10,1 x 10,8" (41,9 x 25,7 x 27,4cm)
<b>Dimensiones interiores (L x A):</b>	10,75 x 7,75 x 3,8" (27,3 x 19,7 x 9,7cm)
<b>Dimensiones de la bandeja (L x A):</b>	10 x 7,5" (25,4 x 19,1cm)
<b>Fuente de alimentación (50/60 Hz):</b>	120 voltios AC, 3,74 amperios, 420 vatios 230 voltios AC, 1,87 amperios, 420 vatios
<b>Fusibles:</b>	5 mm x 20 mm, 5 amp acc. rápida
<b>Rango de temperatura:</b>	ambiente +5° a 65 °C
<b>Uniformidad de temperatura:</b>	+/-0,5 °C a 37 °C
<b>Rango de la velocidad:</b>	1 a 50 rpm*
<b>Exactitud de la velocidad:</b>	± 1rpm
<b>Ángulo de inclinación:</b>	0 a 15°*
<b>Capacidad de peso:</b>	10 lb (4,5 kg)**
<b>Temporizador:</b>	digital, 1 segundo a 9999 minutos (con incrementos de 1 segundo)
<b>Controles:</b>	vea la página 22
<b>Material de la bandeja:</b>	aluminio
<b>Peso de embarque:</b>	13,5lbs (6,1 kg)

\* La velocidad/el ángulo de inclinación máximos pueden variar en caso de cargas pesadas o no equilibradas.

\*\* Centrado en la bandeja.

**ESPECIFICACIONES DE VIBRACIÓN DE INCUBACIÓN.**

<b>Dimensiones generales (L x A x A):</b>	16,5 x 10,1 x 10,8" (41,9 x 25,7 x 27,4cm)
<b>Dimensiones interiores (L x A):</b>	10,75 x 7,75 x 3,4" (27,3 x 19,7 x 8,6cm)
<b>Dimensiones de la bandeja (L x A):</b>	9,25 x 7,25" (23,5 x 18,4cm)
<b>Fuente de alimentación (50/60 Hz):</b>	120 voltios AC, 3,74 amperios, 420 vatios 230 voltios AC, 1,87 amperios, 420 vatios
<b>Fusibles:</b>	5 mm x 20 mm, 5 amp acción rápida
<b>Rango de temperatura:</b>	ambiente +5° a 65 °C
<b>Uniformidad de temperatura:</b>	+/-0,5 °C a 37 °C
<b>Rango de velocidad:</b>	1 a 30 rpm*
<b>Exactitud de la velocidad:</b>	± 1rpm
<b>Ángulo de inclinación:</b>	0 a 20°*
<b>Capacidad de peso:</b>	5 lb (2,3 kg)**
<b>Temporizador:</b>	digital, 1 segundo a 9999 minutos (con incrementos de 1 segundo)
<b>Controles:</b>	vea la página 22
<b>Material de la bandeja:</b>	aluminio
<b>Peso de embarque:</b>	14,5lbs (6,6kg)

\* La velocidad/el ángulo de inclinación máximos pueden variar en caso de cargas pesadas o no equilibradas.

\*\* Centrado en la bandeja.



## INSTRUCCIONES DE OPERACIÓN DE OSCILACIÓN/VIBRACIÓN DE INCUBACIÓN

Los osciladores/vibradores Ohaus se usan para preparar muestras para realizar pruebas. Estas unidades se diseñaron para que las funciones de temperatura, de velocidad/inclinación y de temporización funcionen independientemente. La temperatura y la velocidad/inclinación pueden restablecerse sin restablecer el temporizador, y el temporizador puede detenerse e iniciarse sin interrumpir el calentamiento ni las funciones de oscilación/vibración.

### 1. Preparación:

- Enchufe el cable de alimentación en un tomacorriente con conexión a tierra. La luz del botón de espera se enciende para verificar el suministro eléctrico que va a la unidad. Manualmente, mueva la bandeja de la plataforma a una posición casi horizontal antes de energizar la unidad.
- Presione el botón de espera para sacar la unidad del modo de espera. El indicador luminoso del modo de espera se apaga. Las pantallas de temperatura, de velocidad/inclinación y de tiempo se iluminan y muestran los valores anteriores.

### 2. Ajuste de temperatura:

- Presione las flechas arriba/abajo debajo de la pantalla de temperatura hasta llegar a la velocidad deseada. Cuando se suelta la flecha, la unidad parpadea y después queda encendida, indicando que el nuevo punto de ajuste de la temperatura fue aceptado.
- Presione el botón de encendido/apagado para iniciar la función de calentamiento. El indicador luminoso que se encuentra debajo de la pantalla de temperatura se enciende para indicar que la función de calentamiento está funcionando. Cinco (5) señales sonoras indican que se ha alcanzado la temperatura del punto de ajuste.
- Se puede ajustar la temperatura del punto de ajuste sin interrumpir el calentamiento, usando las flechas arriba/abajo que se encuentran debajo de la pantalla de tiempo. Después de realizar el cambio y cuando se suelta la flecha, la unidad parpadea y después queda encendida, indicando que el nuevo punto de ajuste de la temperatura fue aceptado.
- Para detener el calentamiento, presione el botón de encendido/apagado debajo de la pantalla de tiempo; el indicador luminoso de calor se apaga.

### Indicador luminoso de calor:

El indicador luminoso de calor advierte que la temperatura del aire en la cámara es superior a 40 °C. La luz se enciende y queda encendida cuando la temperatura del aire en la cámara llega a unos 40 °C. Al apagar el calor, el indicador luminoso de calor queda encendido hasta que la temperatura del aire en la cámara desciende a menos de 40 °C.



- Ajuste de la inclinación:** La inclinación electrónica le permite al usuario ajustar el ángulo del movimiento de la bandeja mientras la unidad está oscilando/vibrando o cuando la unidad está detenida.
  - Presione el botón de función debajo de la pantalla de velocidad/inclinación hasta que el indicador luminoso de inclinación se encienda. Ahora está preparado para establecer el ángulo de inclinación.
  - Presione las flechas arriba/abajo debajo de la pantalla de velocidad/inclinación hasta llegar al ángulo deseado. Cuando se suelta el botón de la flecha, la unidad parpadea y después queda encendida, indicando que el nuevo punto de ajuste del ángulo fue aceptado. La unidad completa una rotación en el anterior punto de ajuste del ángulo y luego, suavemente, cambia al nuevo ángulo programado. El indicador luminoso de inclinación permanece parpadeando hasta que la transición hasta el nuevo ángulo de inclinación haya finalizado.
- Ajuste de la velocidad:**
  - Presione el botón de función debajo de la pantalla de velocidad/inclinación hasta que el indicador luminoso de velocidad se encienda. Ahora está preparado para establecer la velocidad.
  - Presione las flechas arriba/abajo debajo de la pantalla de velocidad/inclinación hasta llegar a la velocidad deseada. Cuando se suelta la flecha, la unidad parpadea y después queda encendida, indicando que el nuevo punto de ajuste de la velocidad fue aceptado.
  - Presione el botón de encendido/apagado para iniciar la función de oscilación/vibración. El indicador luminoso debajo de la pantalla de velocidad/inclinación permanece parpadeando hasta que la transición hasta la velocidad establecida haya finalizado; entonces, el indicador luminoso queda encendido, indicando que la función de oscilación/vibración está en uso.
  - Para detener la función de oscilación/vibración, presione el botón de encendido/apagado que se encuentra debajo de la pantalla de velocidad/inclinación. La unidad realizará una rotación completa y luego se detendrá en la posición horizontal "inicial". El indicador luminoso de velocidad permanecerá parpadeando hasta que la rotación haya finalizado. Cuando el ciclo está completo, la unidad pasa automáticamente a modo de espera y se enciende el indicador luminoso de espera.

## INSTRUCCIONES DE OPERACIÓN DE OSCILACIÓN/VIBRACIÓN DE INCUBACIÓN (CONT.)

### CONSEJOS PARA LA OPERACIÓN

Cuando la unidad está operando a velocidades lentas o a ángulos grandes, realizar cambios importantes al ángulo de inclinación o a la velocidad puede llevar varios minutos. La manera más rápida de hacer cambios importantes a la velocidad o al ángulo de inclinación es detener la unidad, cambiar la velocidad o el ángulo de inclinación y luego reiniciarla presionando el botón de encendido/apagado que se encuentra debajo de la pantalla de velocidad/inclinación.

5. **Ajuste del tiempo a cero (0) y modo continuo:** Tiempo acumulado.
  - a. Presione y mantenga presionado el botón de encendido/apagado que se encuentra debajo de la pantalla de tiempo. Después de tres (3) segundos, en la pantalla aparece el tiempo configurado anteriormente
  - b. Cuando se presionan al mismo tiempo las flechas arriba y abajo, en la pantalla aparece cero (0:00). El tiempo de la unidad está ahora configurado a cero (0:00) minutos. Usted puede usar las flechas arriba/abajo alternadamente para ir a cero (0:00).
  - c. Presione el botón de encendido/apagado que se encuentra debajo de la pantalla de tiempo. En la pantalla aparece el tiempo acumulado. Las flechas arriba/abajo van a quedar desactivadas. Para detener el temporizador, presione el botón de encendido/apagado de nuevo. **IMPORTANTE:** Esto NO interrumpe la función de oscilación/vibración. Para interrumpir la función de oscilación/vibración, presione el botón de encendido/apagado debajo de la pantalla de velocidad/inclinación.
  - d. Para restablecer, presione y mantenga presionado el botón de encendido/apagado que se encuentra debajo de la pantalla de tiempo. Después de tres (3) segundos, en la pantalla aparece el tiempo configurado anteriormente, que era cero (0:00).
6. **Ajuste del modo temporizado:** Tiempo programado.
  - a. Presione las flechas arriba/abajo debajo de la pantalla de tiempo hasta llegar al tiempo deseado.
  - b. Comience esta función presionando el botón de encendido/apagado que se encuentra debajo de la pantalla de tiempo. La unidad va a funcionar durante el tiempo seleccionado. Las flechas arriba/abajo van a quedar desactivadas mientras el temporizador está funcionando. La unidad dejará de oscilar/vibrar cuando la pantalla de tiempo llegue a cero (0:00). Cuatro (4) señales sonoras indican que la función de temporización ha finalizado. En la pantalla de tiempo aparece el punto de ajuste de tiempo por defecto. Lo único que hay que hacer para repetir la función para el mismo tiempo es presionar de nuevo el botón de encendido/apagado.

- c. Para interrumpir un ciclo de temporización automático antes de que finalice, presione el botón de encendido/apagado que se encuentra debajo de la pantalla de tiempo. La pantalla de tiempo permanece parpadeando para indicar que la función está "en espera". **IMPORTANTE:** Esto **NO** interrumpe la función de oscilación/vibración. Para interrumpir la función de oscilación/vibración, presione el botón de encendido/apagado debajo de la pantalla de velocidad/inclinación. Restablezca el temporizador presionando el botón de encendido/apagado que se encuentra debajo de la pantalla de tiempo. La unidad seguirá el conteo hasta cero (0:00). Cuando la pantalla indica cero (0:00), la unidad emite cuatro (4) señales sonoras que indican que la función de temporización ha finalizado y la función de oscilación/vibración cesará.

### 7. Para apagar la unidad:

- a. To turn unit off, press the standby button. The temperature, speed/tilt and time displays will be blank, the standby indicator light will illuminate. The Incubating Rocker/Waver should be kept in standby mode when not in use. To completely cut off power to the unit, disconnect the power cord from the unit or un-plug from the wall outlet.

### CONSEJOS PARA LA OPERACIÓN

La memoria incorporada mantiene los últimos puntos de ajuste utilizados de temperatura, de velocidad/inclinación y de tiempo durante una interrupción del suministro eléctrico.

Un programa incorporado corta el suministro de energía al motor si la bandeja de la plataforma no puede oscilar/vibrar o si la unidad tiene una carga superior a la capacidad de peso recomendada.

## RESOLUCIÓN DE PROBLEMAS

Durante el funcionamiento, cualquier sonido a tableteo o tictac puede indicar que hay un tornillo flojo en la bandeja, en el acoplamiento de la bandeja o en un accesorio. Todos los accesorios deben estar bien ajustados en su lugar antes de encender la unidad.

Problema	Causa	Solución
E1	RTD abierta o temperatura superior a 100 °C en una unidad de incubación	Este error no puede solucionarlo el usuario final. Desenchufe la unidad y contacte con su representante de Ohaus para repararla.
E2	RTD en cortocircuito o temperatura inferior a 0 °C en una unidad de incubación	Este error no puede solucionarlo el usuario final. Desenchufe la unidad y contacte con su representante de Ohaus para repararla.
E3	Obstrucción mecánica Motor detenido Correa de transmisión rota	<p>Para borrar este error, presione el botón de espera. Si el error E3 persiste junto con chirridos o ruidos de golpes o de roce, desenchufe la unidad y contacte con su representante de Ohaus para repararla.</p> <p>En caso de un error E3 por descuido, como por ejemplo, que alguien involuntariamente toque la bandeja de la plataforma mientras la unidad está en funcionamiento, la unidad automáticamente vuelve a la posición horizontal “inicial” y se reinicia.</p> <p>En caso de que haya una obstrucción debajo de la bandeja que provocaría que la unidad se reinicie constantemente, la unidad intenta volver automáticamente a la posición inicial y se reinicia cuatro (4) veces. Luego, deja de funcionar y aparece en la pantalla un error E3. Para borrar este error, presione el botón de espera.</p>
E4	Carga máxima excedida	<p>Para borrar este error, presione el botón de espera. Asegúrese de que la carga está dentro de la especificación de carga máxima antes de reiniciar la unidad.</p> <p>Si persiste el problema, desenchufe la unidad y contacte con su representante de Ohaus para repararla.</p>



Manuale di istruzioni

Agitatore di incubazione a bilanciere, ISRK04HDG

Agitatore di incubazione a ondulazione, ISWV02HDG

EN - English	.....	1
FR - Français	.....	9
ES - Español	.....	18
IT - Italiano	.....	27
DE - Deutsch	.....	36
PT - Português	.....	45
NL - Nederlands	.....	54
NO - Norsk	.....	58
DA - Dansk	.....	62
SV - Svenska	.....	66
FI - Suomi	.....	70
HU - Magyar	.....	74
PL - Polski	.....	78
CZ - Czech	.....	82
KR - Korean	.....	86



## INDICE

Contenuto della confezione	28
Informazioni di servizio	28
Installazione	29
Manutenzione e Assistenza tecnica	29
Uso previsto	29
Condizioni ambientali	29
Istruzioni di sicurezza	30
Norme e regolamenti	30
Pannello di controllo per l'incubazione	31
Specifiche dell'agitatore basculante per incubazione	32
Specifiche del generatore di onde per incubazione	32
Istruzioni per l'uso dell'agitatore basculante/del generatore di onde per incubazione	33-34
Risoluzione dei problemi	35

### CONTENUTO DELLA CONFEZIONE

---

Agitatore di incubazione a bilanciante o Agitatore di incubazione a ondulazione  
 Cavo di alimentazione rimovibile  
 Manuale di istruzioni

### INFORMAZIONI DI SERVIZIO

---

Se la Sezione Risoluzione dei Problemi non solve o descrive il vostro problema, contattare il vostro agente di servizio autorizzato OHAUS. Per assistenza di servizio o appoggio tecnico negli Stati Uniti telefonare con chiamata a carico del destinatario il numero 1-800-672-7722 est. 7852 tra le 08:00 AM and e le 05:00 PM EST. Un addetto specialista al servizio dei prodotti OHAUS sarà disponibile per darvi assistenza. Al di fuori degli USA, si prega di visitare il nostro sito web [www.ohaus.com](http://www.ohaus.com) per localizzare l'Ufficio OHAUS più vicino a Voi.

Numero di serie: \_\_\_\_\_

Data di acquisto: \_\_\_\_\_

Fornitore: \_\_\_\_\_

## INSTALLAZIONE

Dopo il ricevimento dell'agitatore basculante/del generatore di onde Ohaus, controllare per assicurarsi che non si siano verificati danni durante la spedizione. È importante che gli eventuali danni verificatisi durante il trasporto vengano individuate al momento del disimballaggio. Se si riscontra un danno, occorre comunicarlo immediatamente al trasportatore.

Dopo averlo disimballato, posizionare l'agitatore basculante/il generatore di onde su un banco o un tavolo di lavoro in piano, lontano da vapori esplosivi. Assicurarsi che la superficie su cui viene posta l'unità resista al calore tipicamente prodotto dall'unità e collocare l'unità ad almeno sei (6) pollici di distanza dalle superfici verticali. Collocare sempre l'unità su una superficie di lavoro resistente.

L'agitatore basculante/il generatore di onde viene fornito con un cavo di alimentazione inserito nel connettore IEC sul retro dell'unità, che può essere collegato in seguito a una presa con collegamento a massa. La spina dell'unità a 120 V può essere inserita in una presa di rete a 120 V e 50/60 Hz. La spina dell'unità a 230 V può essere inserita in una presa di rete a 230 V e 50/60 Hz.

## MANUTENZIONE E ASSISTENZA TECNICA

L'Agitatore basculante/il Generatore di onde è costruito per un servizio prolungato e affidabile. Non è richiesta lubrificazione né altra manutenzione tecnica da parte dell'utente. Almeno ogni tre (3) mesi si dovrà in ogni caso:

- Disconnettere l'apparecchio.
- Rimuovere eventuale sporco accumulato dalla base e dal piatto.
- Controllare tutte le parti accessibili e assicurarsi che siano correttamente serrate.

L'unica manutenzione che si richiede all'utente è la pulizia delle superfici. L'unità deve essere trattata con la normale attenzione dedicata a qualunque apparecchio elettrico. Evitare di bagnare l'unità o di esporla inutilmente a esalazioni. Rimuovere prontamente il liquido eventualmente versato. Non utilizzare sul pannello frontale un detergente o un solvente infiammabile, abrasivo o dannoso per le materie plastiche. Prima della pulizia, accertarsi sempre che l'unità sia scollegata dalla

corrente. Se occorre sottoporre l'unità ad assistenza tecnica, mettersi in contatto con il rappresentante Ohaus di fiducia.

## USO PREVISTO

Gli agitatori e i generatori di onde sono progettati per uso generico di laboratorio.

## CONDIZIONI AMBIENTALI

**Condizioni operative:** Solo per uso interno.

Temperatura:	Da 5 a 40°C (41 a 104°F)
Umidità:	80% di umidità relativa, senza condensa
Altitudine:	Da 0 a 6,562 ft (2000 M) sopra il livello del mare

**Magazzinaggio in condizioni non operative:**

Temperatura:	Da -20 a 65°C (-4 to 149°F)
Umidità:	fino all'80% di umidità relativa, senza condensa

Installazione di Categoria II e Grado di Inquinamento 2 a norma IEC 664.

## SMALTIMENTO DELL'APPARECCHIATURA



Questa apparecchiatura non deve essere smaltita con i rifiuti indifferenziati. L'utente è responsabile di smaltire correttamente l'apparecchiatura al termine del suo ciclo di vita consegnandola a una struttura autorizzata per la raccolta differenziata e il riciclaggio. L'utente è inoltre responsabile di decontaminare l'apparecchiatura in caso di contaminazione biologica, chimica e/o radiologica, in modo da proteggere le persone coinvolte nello smaltimento e nel riciclaggio dell'apparecchiatura da rischi per la salute.

Per ulteriori informazioni relative ai punti di smaltimento dei prodotti di scarto dell'apparecchiatura, si prega di mettersi in contatto con il rivenditore autorizzato dell'area in cui è stata acquistata l'apparecchiatura in origine. In questo modo si contribuisce alla conservazione delle risorse naturali e ambientali e si fa in modo che l'apparecchiatura sia riciclata in modo da proteggere la salute delle persone.

## ISTRUZIONI DI SICUREZZA

Si prega di leggere il manuale di istruzioni per intero prima di azionare l'Agitatore basculante/il Generatore di onde.



**A VERTENZA! NON** utilizzare l'Agitatore basculante/il Generatore di onde in un'atmosfera pericolosa o con materiali pericolosi per cui l'unità non è stata progettata. Inoltre, l'utente deve essere consapevole che la protezione provvista dall'apparecchiatura può essere ridotta se essa viene utilizzata con accessori non forniti o consigliati dal fabbricante, o in modo non specificato dal fabbricante.

Azionare sempre l'unità su una superficie di lavoro piana per ottenere le migliori prestazioni e la massima sicurezza.

**NON** sollevare l'unità sollevandola dal vassoio della piattaforma o dal coperchio.



**ATTENZIONE!** Per evitare le scosse elettriche, scollegare l'unità dalla corrente staccando il cavo di alimentazione dall'unità o dalla presa di rete. Scollegare l'unità dalla corrente prima della manutenzione o dell'assistenza tecnica. **NON** immergere l'unità per la pulizia. **NON** azionare l'unità se mostra segni di danni elettrici o meccanici.



**ATTENZIONE!** (Solo apparecchi per incubazione) La spia di avviso di temperatura segnala che la temperatura della piastra superiore eccede 40 °C. La spia si accende e rimane accesa se la temperatura della piastra superiore arriva a circa 40 °C. Con riscaldamento disattivato la spia di avviso di temperatura rimane accesa finché la temperatura della piastra superiore scende sotto 40 °C.







Collegamento a massa – Morsetto conduttore di protezione



Corrente alternata

## NORME E REGOLAMENTI

La conformità agli norme e regolamenti seguenti viene indicata dalla presenza del marchio corrispondente sul prodotto.

Marchio	Norme e regolamenti
	OHAUS Corporation dichiara che il SHRK, ISRK, ISVV serie agitatori conforme alle direttive 2011/63/UE, 2014/30/UE, 2014/35/UE e le norme EN 50581, EN 61010-1, EN 61010-2-051, EN 61326-1. Il testo completo della dichiarazione di conformità UE è disponibile al seguente indirizzo Internet: <a href="http://www.ohaus.com/ce">www.ohaus.com/ce</a> .
	Questo prodotto è conforme alla direttiva 2012/19/UE. Si prega di smaltire questo prodotto in conformità alla normativa vigente presso il punto di raccolta indicato per le apparecchiature elettriche ed elettroniche. Per le norme di smaltimento vigenti in Europa, fare riferimento a <a href="http://www.ohaus.com/weee">www.ohaus.com/weee</a> .
	EN 61326-1
	CAN/CSA C22.2 61010-1, CAN/CSA C22.2 61010-2-051 UL 61010-1, UL 61010-2-051

### Avviso globale

Attenzione: Questo è un prodotto di classe A. In un ambiente domestico, questo prodotto può causare interferenze za della radio, nel qual caso l'utente è tenuto a prendere misure adeguate.

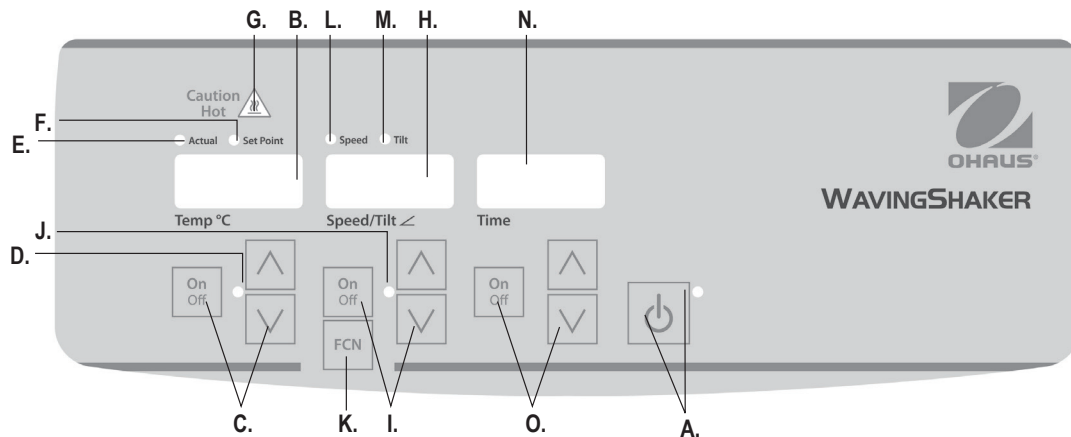
### Canada Avviso

Questo apparecchio digitale di classe A è conforme alla norma canadese ICES-003.

### Avviso FCC

NOTA: Questo apparecchio è stato testato ed è risultato conforme ai limiti per una classe di dispositivi digitali, ai sensi dell'articolo 15 delle norme FCC. Questi limiti sono progettati per fornire una protezione ragionevole contro le interferenze dannose quando l'apparecchiatura viene utilizzata in un ambiente commerciale. Questa apparecchiatura genera, utilizza e può emettere energia a radiofrequenza e, se non installato e utilizzato in conformità con il manuale di istruzioni, può causare interferenze dannose alle comunicazioni radio. Il funzionamento di questa apparecchiatura in un'area residenziale può causare interferenze dannose, nel qual caso l'utente è tenuto a correggere l'interferenza a proprie spese.

Cambiamenti o modifiche non espressamente approvate da Ohaus Corporation potrebbero invalidare il diritto dell'utente ad utilizzare l'apparecchiatura.



## PANELLO DI CONTROLLO DELL'AGITATORE BASCULANTE/DEL GENERATORE DI ONDE PER INCUBAZIONE

Il pannello frontale dell'Agitatore basculante/del Generatore di onde per incubazione contiene tutti i comandi e i display necessari per azionare l'unità.

- A. Pulsante di standby / Indicatore luminoso di standby:** L'indicatore luminoso di standby si illumina quando l'unità è collegata all'alimentazione. L'unità è in modalità di standby. Premere il pulsante di standby per attivare le funzioni di temperatura, velocità/inclinazione e durata. L'indicatore luminoso di standby si spegne e gli indicatori della temperatura, della velocità/dell'inclinazione e del tempo si illuminano. Premendo nuovamente il pulsante di standby l'unità ritorna nella modalità di standby.
- B. Display della temperatura:** Mostra la temperatura attuale/di riferimento unitamente agli indicatori luminosi del valore attuale/di riferimento. **C.** Le frecce in alto/in basso permettono di impostare il valore di riferimento. Il pulsante on/off permette di avviare/arrestare la funzione di riscaldamento. **D.** L'indicatore luminoso di temperature si illumina quando l'unità riscalda.
- E. Indicatore luminoso reale:** Si illumina quando la temperatura mostrata è la temperatura effettiva dell'aria all'interno della camera.
- F. Indicatore luminoso del valore di riferimento:** si illumina quando viene mostrata la temperatura di riferimento.

- G. Indicatore luminoso di avvertimento temperatura elevata:** Si illumina quando la temperatura dell'aria all'interno della camera supera 40°C (104°F).
- H. Display della velocità/dell'inclinazione:** Visualizza la velocità e l'inclinazione dell'unità. **I.** Le frecce in alto/in basso permettono di impostare il valore di riferimento. Il pulsante on/off permette di avviare/arrestare la funzione basculante/di rotazione. **J.** L'indicatore luminoso della velocità/dell'inclinazione si illumina quando l'unità compie un movimento basculante/rotatorio.
- K. Pulsante di funzionamento:** Premere questo pulsante per selezionare la funzione che si desidera regolare: la velocità o l'inclinazione.
- L. Indicatore luminoso della velocità:** Si illumina quando viene visualizzata la velocità.
- M. Indicatore luminoso dell'inclinazione:** Si illumina quando viene visualizzata l'inclinazione.
- N. Display del tempo:** Mostra il tempo trascorso (modalità continua) o il tempo rimanente (modalità temporizzata). **O.** Le frecce in alto/in basso permettono di impostare il valore di riferimento. Il pulsante on/off permette di avviare/arrestare la funzione tempo. L'arco di valori visualizzato va da 0 a 9999 minuti in incrementi di un (1) secondo. Il display indica i minuti e i secondi fino a quando il timer non raggiunge 99 minuti e 59 secondi (99:59), quindi il display mostra automaticamente i minuti fino a 9999.



**SPECIFICHE DELL'AGITATORE BASCULANTE PER INCUBAZIONE**

<b>Dim. generali (Lu x La x H):</b>	16,5 x 10,1 x 10,8" (41,9 x 25,7 x 27,4cm)
<b>Dimensioni interne (Lu x La):</b>	10,75 x 7,75 x 3,8" (27,3 x 19,7 x 9,7cm)
<b>Dimensioni del piatto (Lu x La):</b>	10 x 7,5" (25,4 x 19,1cm)
<b>Impianto elettrico (50/60 Hz):</b>	120 volt AC, 3,74 ampere, 420 watt 230 volt AC, 1,87 ampere, 420 watt
<b>Fusibili:</b>	5 mm x 20 mm, 5 amp ad azione rapida
<b>Arco di temperatura:</b>	ambiente da +5° a 65°C
<b>Uniformità di temperatura:</b>	+/-0,5°C a 37°C
<b>Arco di velocità:</b>	1 a 50 giri/min.*
<b>Precisione di velocità:</b>	±1 giro/min.
<b>Angolo di inclinazione:</b>	0 a 15°*
<b>Capacità di pesatura:</b>	10 lb (4,5 kg)**
<b>Timer:</b>	digitale, da 1 secondo a 9999 minuti (a incrementi di 1 secondo)
<b>Comandi:</b>	vedere a pagina 31
<b>Materiale del vassoio:</b>	alluminio
<b>Peso di spedizione:</b>	13,5lbs (6,1 kg)

\* La velocità massima/l'angolo di inclinazione massimo possono variare in presenza di carichi pesanti o sbilanciati.

\*\* Centrato sul vassoio.

**SPECIFICHE DEL GENERATORE DI ONDE PER INCUBAZIONE**

<b>Dim. generali (Lu x La x H):</b>	16,5 x 10,1 x 10,8" (41,9 x 25,7 x 27,4cm)
<b>Dimensioni interne (Lu x La):</b>	10,75 x 7,75 x 3,4" (27,3 x 19,7 x 8,6cm)
<b>Dimensioni del piatto (Lu x La):</b>	9,25 x 7,25" (23,5 x 18,4cm)
<b>Impianto elettrico (50/60 Hz):</b>	120 volt AC, 3,74 ampere, 420 watt 230 volt AC, 1,87 ampere, 420 watt
<b>Fusibili:</b>	5 mm x 20 mm, 5 amp ad azione rapida
<b>Arco di temperatura:</b>	ambiente da +5° a 65°C
<b>Uniformità di temperatura:</b>	+/-0,5°C a 37°C
<b>Arco di velocità:</b>	1 a 30 giri/min.*
<b>Precisione di velocità:</b>	±1 giro/min.
<b>Angolo di inclinazione:</b>	0 a 20°*
<b>Capacità di pesatura:</b>	5 lb (2,3 kg)**
<b>Timer:</b>	digitale, da 1 secondo a 9999 minuti (a incrementi di 1 secondo)
<b>Comandi:</b>	vedere a pagina 31
<b>Materiale del vassoio:</b>	alluminio
<b>Peso di spedizione:</b>	14,5lbs (6,6kg)

\* La velocità massima/l'angolo di inclinazione massimo possono variare in presenza di carichi pesanti o sbilanciati.

\*\* Centrato sul vassoio.

## ISTRUZIONI PER L'USO DELL'AGITATORE BASCULANTE/DEL GENERATORE DI ONDE PER INCUBAZIONE

Gli Agitatori basculanti/Generatori di onde per incubazione Ohaus vengono utilizzati per preparare i campioni per le analisi. Queste unità sono state progettate in modo che le funzioni di temperatura, velocità/inclinazione e temporizzazione possano funzionare in modo indipendente. La temperatura e la velocità/l'inclinazione possono essere reimpostati senza azzerare il timer, che può essere avviato e arrestato senza interrompere il riscaldamento o il movimento basculante/rotatorio.

### 1. Preparazione:

- Inserire il cavo di alimentazione in una presa collegata a massa. L'indicatore luminoso di standby si illumina, per verificare che l'unità sia alimentata. Spostare manualmente il vassoio della piattaforma in una posizione di riposo quasi orizzontale prima di attivare l'unità.
- Premere il pulsante di standby per uscire dalla modalità di standby. L'indicatore luminoso di standby si spegne e gli indicatori della temperatura, della velocità/dell'inclinazione e del tempo si illuminano e mostrano i valori utilizzati in precedenza.

### 2. Impostazione della temperatura:

- Premere le frecce in alto/in basso sotto il display della temperatura fino a ottenere la temperatura desiderata. Quando si rilascia il pulsante con le frecce, il display lampeggia per indicare che la temperatura impostata è stata accettata.
- Premere il pulsante on/off per avviare la funzione di riscaldamento. L'indicatore luminoso sotto il display della temperatura si illumina per indicare che la funzione di riscaldamento è attiva. Vengono emessi cinque (5) segnali acustici per indicare che la temperatura impostata è stata raggiunta.
- Le regolazioni della temperatura di riferimento possono essere effettuate senza interrompere il riscaldamento utilizzando le frecce in alto/in basso sotto il display della temperatura. Quando si rilascia il pulsante dopo avere effettuato la modifica, il display lampeggia per indicare che la nuova temperatura impostata è stata accettata.
- Per arrestare il riscaldamento, premere il pulsante on/off sotto il display della temperatura; l'indicatore luminoso si spegne.

### Indicatore di Attenzione temperatura elevata:

L'indicatore luminoso di Attenzione temperatura elevata avverte quando la temperatura all'interno della camera supera 40°C. La spia si illumina e rimane accesa quando la temperatura dell'aria all'interno della camera raggiunge circa 40°C. Quando il riscaldamento viene disattivato, l'indicatore luminoso di attenzione temperatura elevata rimane acceso fino a quando la temperatura dell'aria all'interno della camera scende al di sotto di 40°C.



3. **Impostazione dell'inclinazione:** La funzione di inclinazione elettronica permette all'utente di regolare l'angolazione del movimento del vassoio quando l'unità compie un movimento basculante/rotatorio o quando è ferma.

- Premere il pulsante funzione sotto il display di velocità/inclinazione fino a quando l'indicatore luminoso dell'inclinazione non si illumina. Ora è possibile impostare l'angolo di inclinazione.
- Premere le frecce in alto/in basso sotto il display di velocità/inclinazione fino a ottenere l'angolo desiderato. Quando si rilascia il pulsante con le frecce, il display lampeggia per indicare che l'angolo appena impostato è stato accettato. L'unità completa una rotazione all'angolazione impostata in precedenza, quindi passa gradualmente al nuovo angolo programmato. L'indicatore di inclinazione lampeggia fino al completamento della transizione al nuovo angolo di inclinazione.

### 4. Impostazione della velocità:

- Premere il pulsante funzione sotto il display di velocità/inclinazione fino a quando l'indicatore luminoso della velocità non si illumina. Ora è possibile impostare la velocità.
- Premere le frecce in alto/in basso sotto il display di velocità/inclinazione fino a ottenere la velocità desiderata. Quando si rilascia il pulsante con le frecce, il display lampeggia per indicare che la velocità impostata è stata accettata.
- Premere il pulsante on/off per avviare il movimento basculante/rotatorio. L'indicatore luminoso sotto il display di velocità/inclinazione lampeggia fino a quando la transizione alla velocità impostata non è stata completata; a questo punto la luce rimane accesa per indicare che il movimento basculante/rotatorio è attivo.
- Per arrestare il movimento basculante/rotatorio, premere il pulsante on/off sotto il display di velocità/inclinazione. L'unità completa una rotazione quindi si arresta nella posizione di riposo orizzontale. L'indicatore di velocità lampeggia fino al completamento della rotazione. Quando il ciclo è completo, l'unità commuta automaticamente alla modalità di standby, e l'indicatore luminoso di standby si illumina.

### CONSIGLI DI AZIONAMENTO

Quando l'unità funziona a bassa velocità o a un'angolazione elevata, potrebbero essere necessari vari minuti per introdurre modifiche importanti dell'inclinazione o della velocità. Il modo più rapido per effettuare importanti modifiche della velocità o dell'inclinazione è arrestare l'unità, modificare la velocità o l'inclinazione, quindi riavviare l'unità premendo il pulsante on/off sotto il display di velocità/inclinazione.

## ISTRUZIONI OPERATIVE DELL'AGITATORE BASCULANTE/GENERATORE DI ONDE (CONTINUAZIONE)

- d. Per arrestare il movimento basculante/rotatorio, premere il pulsante on/off sotto il display di velocità/inclinazione. L'unità completa una rotazione quindi si arresta nella posizione di riposo orizzontale. L'indicatore di velocità lampeggia fino al completamento della rotazione. Quando il ciclo è completo, l'unità commuta automaticamente alla modalità di standby, e l'indicatore luminoso di standby si illumina.

### CONSIGLI DI AZIONAMENTO

Quando l'unità funziona a bassa velocità o a un'angolazione elevata, potrebbero essere necessari vari minuti per introdurre modifiche importanti dell'inclinazione o della velocità. Il modo più rapido per effettuare importanti modifiche della velocità o dell'inclinazione è arrestare l'unità, modificare la velocità o l'inclinazione, quindi riavviare l'unità premendo il pulsante on/off sotto il display di velocità/inclinazione.

5. **Azzeramento del tempo (0:00) e modalità continua:** tempo trascorso.
- Tenere premuto il pulsante on/off sotto il display del tempo. Dopo tre (3) secondi, il display indica il tempo impostato in precedenza.
  - Premere simultaneamente entrambe le frecce in alto e in basso; il display indica zero (0:00). Il tempo dell'unità è fissato a zero (0:00) minuti. In alternativa, si possono utilizzare le frecce in alto/in basso per arrivare a zero (0:00).
  - Premere il pulsante on/off sotto il display del tempo. Il display indica il tempo trascorso. Le frecce in alto/in basso vengono disattivate. Per arrestare il timer, premere nuovamente il pulsante on/off. **IMPORTANTE:** Questo **NON** interrompe il movimento basculante/rotatorio. Premere il pulsante on/off sotto il display di velocità/inclinazione per interrompere la funzione basculante/di generazione di onde.
  - Per azzerare, tenere premuto il pulsante on/off sotto il display del tempo. Dopo tre (3) secondi, il display indica il tempo impostato in precedenza, che era zero (0:00).
6. **Impostazione della modalità temporizzata:** Tempo programmato.
- Premere le frecce in alto/in basso sotto il display del tempo fino a ottenere il tempo desiderato.

- Avviare questa funzione premendo il pulsante on/off sotto il display del tempo. L'unità funziona per il tempo impostato; quando il timer è in funzione, le frecce in alto/in basso si disattivano. L'unità arresta il movimento basculante/rotatorio quando il display del tempo raggiunge il valore zero (0:00). Quattro (4) segnali acustici indicano che la funzione di conto alla rovescia è terminata. Il display del tempo ritorna al tempo impostato. Per ripetere lo stesso tempo è sufficiente rilasciare il pulsante on/off.
- Per interrompere il ciclo di temporizzazione automatico prima che sia completo, premere il pulsante on/off sotto il display del tempo. Il display del tempo lampeggia per indicare che la funzione di temporizzazione è in attesa. **IMPORTANTE:** Questo **NON** interrompe il movimento basculante/rotatorio. Premere il pulsante on/off sotto il display di velocità/inclinazione per interrompere la funzione basculante/di generazione di onde. Riavviare il timer premendo il pulsante on/off sotto il display del tempo; l'unità continua il conto alla rovescia fino a zero (0:00). Quando il display raggiunge lo zero (0:00), l'unità emette i quattro (4) segnali acustici, a indicare che la funzione di conto alla rovescia è completa, e il movimento basculante/rotatorio si arresta.

### 7. Spegnimento dell'unità:

- Per spegnere l'unità, premere il pulsante di standby. Il display della temperatura, della velocità/dell'inclinazione e del tempo sono vuoti, e l'indicatore luminoso di standby si illumina. Quando non è in uso, l'Agitatore basculante/il Generatore di onde deve rimanere nella modalità di standby. Scollegare completamente l'unità dalla corrente staccando il cavo di alimentazione dall'unità o dalla presa di rete.

### CONSIGLI DI AZIONAMENTO

La memoria integrata memorizza i valori di temperatura, velocità/inclinazione e tempo utilizzati l'ultima volta e le impostazioni di temporizzazione in caso di interruzione dell'alimentazione.

Un programma integrato stacca l'alimentazione dal motore quando il vassoio della piattaforma non può compiere un movimento basculante/rotatorio, o se l'unità è sovraccarica ed è stato superato il peso massimo raccomandato.

## RISOLUZIONE DEI PROBLEMI

Durante il funzionamento, gli eventuali ticchettii o vibrazioni possono indicare una vite allentata sul vassoio della piattaforma, il fissaggio del vassoio o un accessorio. Prima di avviare l'unità, serrare in misura sufficiente tutti gli accessori.

Errore	Causa	Soluzione
E1	RTD aperto o temperatura superiore a 100°C per un'unità di incubazione	Questo errore non può essere eliminato dall'utente. Scollegare l'unità e mettersi in contatto con il rappresentante Ohaus per la riparazione.
E2	RTD in cortocircuito o temperatura inferiore a 0° per un'unità di incubazione	Questo errore non può essere eliminato dall'utente. Scollegare l'unità e mettersi in contatto con il rappresentante Ohaus per la riparazione.
E3	Ostruzione meccanica Motore arrestato Cinghia di trasmissione spezzata	Premere il pulsante di standby per eliminare questo errore. Se l'errore E3 persiste e l'unità emette rumori di attrito, battito o sfregamento, scollegarla e mettersi in contatto con il rappresentante Ohaus per le riparazioni. In caso di errore E3 fortuito, come qualcuno che ha toccato inavvertitamente il vassoio della piattaforma mentre l'unità è in funzione, l'unità torna automaticamente nella posizione di riposo orizzontale e si riavvia. In presenza di un'ostruzione sotto il vassoio che provoca il riavvio continuo dell'unità, essa cerca di tornare automaticamente nella posizione di riposo e di riavviarsi per quattro (4) volte, quindi si arresta e indica l'errore E3. Questo errore può essere eliminato dall'utente premendo il pulsante di standby.
E4	Superamento del carico massimo	Premere il pulsante di standby per eliminare questo errore. Prima di riavviare l'unità, accertarsi che il carico rientri nella specifica di carico massimo. Se il problema persiste, scollegare l'unità e mettersi in contatto con il rappresentante Ohaus per la riparazione.



## Bedienungsanleitung

Incubating Shaker Rocking, ISRK04HDG

Incubating Shaker Waving, ISWV02HDG

EN - English	.....	1
FR - Français	.....	9
ES - Español	.....	18
IT - Italiano	.....	27
DE - Deutsch	.....	36
PT - Português	.....	45
NL - Nederlands	.....	54
NO - Norsk	.....	58
DA - Dansk	.....	62
SV - Svenska	.....	66
FI - Suomi	.....	70
HU - Magyar	.....	74
PL - Polski	.....	78
CZ - Czech	.....	82
KR - Korean	.....	86

## INHALTSVERZEICHNIS

Packungsinhalt	37
Service Information	37
Aufstellung	38
Wartung und Reparatur	38
Verwendungszweck	38
Umweltbedingungen	38
Sicherheitshinweise	39
Normen und Vorschriften	39
Inkubator-Bedienfeld	40
Inkubator/Schüttler-Spezifikationen	41
Inkubator/Wippschüttler-Spezifikationen	41
Inkubator/Schüttler/Wippschüttler Betriebsanweisungen	42-43
Störungssuche	44

### PACKUNGSINHALT

---

Incubating Shaker Rocking oder Incubating Shaker Waving  
 Abnehmbares Netzkabel  
 Bedienungshandbuch

### SERVICE INFORMATION

---

Wenn der Abschnitt zur Fehlerbehebung Ihr Problem nicht löst oder beschreibt, kontaktieren Sie Ihren autorisierten OHAUS Service-Agent. Für Hilfe oder um den technischen Support in den USA zu erreichen, rufen Sie von 8.00 bis 17.00 Uhr EST. gebührenfrei 1-800-672-7722 ext. 7852 an. Ein OHAUS Produktservice-Spezialist wird Ihnen zur Verfügung stehen, um Hilfe zu leisten. Außerhalb der USA besuchen Sie bitte unsere Website, [www.ohaus.com](http://www.ohaus.com), um eine OHAUS Niederlassung in Ihrer Nähe zu finden.

Seriennummer: \_\_\_\_\_

Datum des Kaufs: \_\_\_\_\_

Lieferant: \_\_\_\_\_

## AUFSTELLUNG

Prüfen Sie Ihr Ohaus Heizblockthermostat oder Ohaus Kühlblockthermostat nach Erhalt bitte sofort auf etwaige Transportschäden. Es ist wichtig, jedwede, während des Transports erfolgten Schäden zum Zeitpunkt des Auspackens zu erfassen. Falls Sie solche Schäden erkennen, ist das Transportunternehmen sofort davon in Kenntnis zu setzen.

Nach dem Auspacken den Schüttler/Wippschüttler auf einem ebenen Untergrund (Bank oder Tisch) fern von explosiven Dämpfen abstellen. Vergewissern Sie sich, dass die Oberfläche, auf der Sie das Gerät platzieren, für die vom Gerät produzierte Wärme hitzebeständig ist, und stellen Sie das Gerät mindestens 15 cm vertikalen Oberflächen entfernt auf. Das Gerät immer auf eine stabilen Arbeitsfläche abstellen.

Der Schüttler/Wippschüttler wird mit einem Netzkabel geliefert, das erst in den IEC-Anschluss an der Rückseite des Geräts und danach in eine vorschriftsmäßig geerdete Steckdose eingesteckt wird. Die 120 V-Einheit wird mit einer Stromquelle von 120 Volt, 50/60 Hz verbunden. Die 230 V-Einheit wird mit einer Stromquelle von 230 Volt, 50/60 Hz verbunden.

## WARTUNG UND REPARATUR

Der Schüttler/Wippschüttler ist sind auf einen langen, störungsfreien und zuverlässigen Einsatz ausgerichtet. Schmierung oder andere Wartungsarbeiten seitens des Betreibers sind nicht notwendig außer der regelmäßigen Reinigung der Geräteoberfläche. Dennoch sollten Sie zumindest alle (3) Monate:

- Die Einheit ausstecken.
- Jeden Schmutz, der sich angesammelt hat, von der Basis oder dem Tablett entfernen.
- Alle zugänglichen Objekte prüfen, um sicherzustellen, dass sie korrekt angezogen sind.

Das Gerät sollte wie jedes Elektrogerät behandelt werden. Vermeiden Sie Feuchtigkeit oder unnötige Rauchbelastung. Vergossene Flüssigkeiten sollten sofort aufgenommen werden. Verwenden Sie zur Säuberung der Frontseite

keine scheuernden, entzündlichen oder plastikschädigenden Reinigungs- oder Lösungsmittel. Vergewissern Sie sich grundsätzlich vor dem Reinigen des Geräts, dass die Netzverbindung getrennt ist. Sollte das Gerät der Wartung bedürfen, setzen Sie sich bitte mit Ihrem Ohaus-Vertreter in Verbindung.

## VERWENDUNGS ZWECK

Der Schüttler/Wippschüttler ist für den allgemeinen Laborgebrauch bestimmt.

## UMGEBUNGSBEDINGUNGEN

**Betriebsbedingungen:** Für die Verwendung im Freien nicht geeignet.

Temperatur:	5 bis 40°C (41 bis 104°F)
Feuchtigkeit:	80 % relative Luftfeuchtigkeit, nicht kondensierend
Höhe:	0 bis 6.562 ft (2000 M) über dem Meeresspiegel

**Lagerung im Ruhezustand:**

Temperatur:	-20 bis 65°C (-4 bis 149°F)
Feuchtigkeit:	bis 80 % relative Luftfeuchtigkeit, nicht

Installationskategorie II und Verschmutzungsgrad 2 gemäß IEC 664



## GERÄTEENTSORGUNG

Dieses Gerät muss als Sondermüll entsorgt werden. Der Betreiber ist dafür verantwortlich, das Gerät am Ende seines Lebenszyklus vorschriftsmäßig bei einer befugten Recycling-Stelle zu entsorgen. Außerdem ist das Gerät im Fall von Kontakt mit biologischen, chemischen und/oder radioaktiven Stoffen zum Schutz der an der Entsorgung und Wiederverwertung des Geräts

beteiligten Personen zu dekontaminieren.

Informationen über Entsorgungs- und Recycling-Stellen erhalten Sie bei Ihrem Händler, von dem Sie das Gerät ursprünglich bezogen haben. Mit der vorschriftsmäßigen Entsorgung Ihrer Geräte leisten Sie Ihren Beitrag zum Umweltschutz und stellen sicher, dass das Gerät dem Gesundheitsschutz entsprechend recycelt wird.

## SICHERHEITSAUWEISUNGEN

Lesen Sie vor der Inbetriebnahme des Schüttlers/Wippschüttlers bitte das gesamte Bedienungshandbuch durch.



**WARNUNG! VERWENDEN SIE** den Schüttler/Wippschüttler NICHT in Gefahrenzonen oder mit Gefahrstoffen, für welche das Gerät nicht konzipiert wurde. Zudem sollte sich der Bediener darüber im Klaren sein, dass die vom Gerät geleistete Schutzfunktion beeinträchtigt werden kann, wenn das vom Hersteller mitgelieferte oder empfohlene Zubehör nicht verwendet wird oder das Zubehör in einer nicht vom Hersteller angegebenen Weise verwendet wird.

Für optimalen Betrieb und ein Höchstmaß an Sicherheit muss das Gerät grundsätzlich auf einem ebenen Untergrund betrieben werden.

**NICHT** das Gerät an der Platte oder dem Deckel anheben.

**VORSICHT!** Zur Vermeidung von Elektroschocks ist die Stromzufuhr zum Gerät durch Abziehen des Netzkabels vom Gerät oder von der Stromquelle vollständig zu unterbrechen. Vor der Wartung und Reparatur muss die Stromzufuhr zum Gerät unterbrochen werden. **NIEMALS** das Gerät zu Reinigungszwecken in Flüssigkeiten eintauchen. **NIEMALS** das Gerät in Betrieb nehmen, wenn Anzeichen von elektrischen oder mechanischen Schäden erkennbar sind



**ACHTUNG** (Nur die Inkubationseinheit) Die Warnblinkleuchte warnt, dass die Temperatur der Oberplatte über 40°C liegt. Das Licht leuchtet auf und leuchtet weiter, wenn die Temperatur der Oberplatte etwa 40°C erreicht. Wenn die Hitze ausgeschaltet wird, leuchtet die Warnblinkleuchte weiter bis die Temperatur der Oberplatte unter 40°C fällt.







Erdung - Schutzleiter Abschluss



Wechselstrom

## NORMEN UND VORSCHRIFTEN

Die Einhaltung der folgenden Normen und Vorschriften ist durch die entsprechende Markierung am Produkt gekennzeichnet.

Markierung	Normen und Vorschriften
	OHAUS Corporation erklärt, dass die SHRK, ISRK, ISWV-serie Schüttler den Richtlinien 2011/63/EU 2014/30/EU 2014/35/EU und den Normen EN 50581, EN 61010-1, EN 61010-2-051, EN 61326-1 entsprechen. Der vollständige Text der EU-Konformitätserklärung ist unter der folgenden Internetadresse verfügbar: <a href="http://www.ohaus.com/ce">www.ohaus.com/ce</a> .
	Dieses Produkt entspricht der Richtlinie 2012/19/EU. Entsorgen Sie das Produkt gemäß den lokalen Bestimmungen in einer angegebenen Sammelstelle für elektrische und elektronische Geräte. Hinweise zur Entsorgung in Europa finden Sie unter <a href="http://www.ohaus.com/weee">www.ohaus.com/weee</a> .
	EN 61326-1
	CAN/CSA C22.2 61010-1, CAN/CSA C22.2 61010-2-051 UL 61010-1, UL 61010-2-051

Globale Mitteilung

Warnung: Dies ist ein Produkt der Klasse A. In einer häuslichen Umgebung kann dieses Produkt Funkstörungen verursachen. In diesem Fall kann der Benutzer entsprechende Maßnahmen ergreifen.

Kanada Hinweis

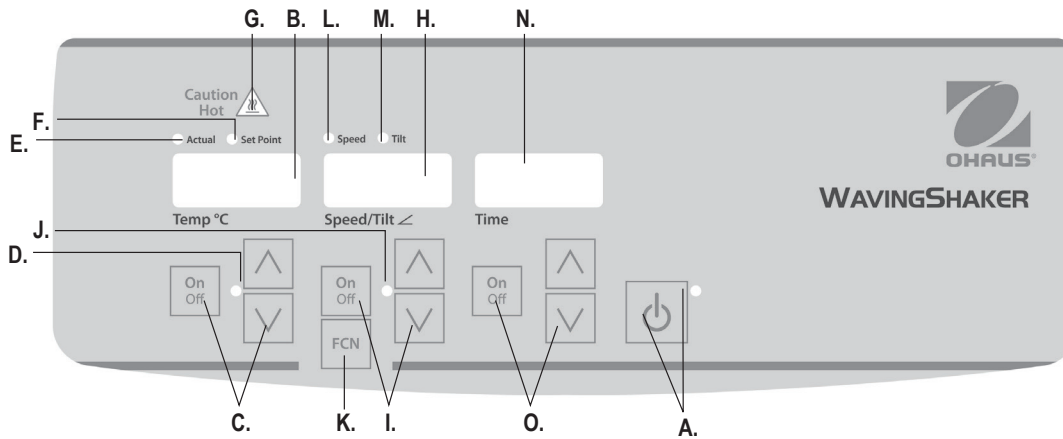
Dieses digitale Gerät der Klasse A entspricht dem kanadischen ICES-003.

FCC Hinweis

**HINWEIS:** Dieses Gerät wurde getestet und entspricht den Grenzwerten für ein digitales Gerät der Klasse A gemäß Teil 15 der FCC-Bestimmungen. Diese Grenzwerte sollen einen vernünftigen Schutz gegen schädliche Störungen bieten, wenn das Gerät in einer gewerblichen Umgebung betrieben wird. Dieses Gerät erzeugt und verwendet Hochfrequenzenergie und kann diese ausstrahlen, und wenn es nicht in Übereinstimmung mit der Bedienungsanleitung installiert und verwendet wird, kann es zu schädlichen Störungen der Funkkommunikation kommen. Der Betrieb dieses Gerätes in einem Wohngebiet kann schädliche Störungen verursachen, in welchem Fall der Benutzer die Störungen auf eigene Kosten beheben muss.

Änderungen oder Modifikationen, die nicht ausdrücklich von der Ohaus Corporation genehmigt wurden, können zum Erlöschen der Betriebserlaubnis des Benutzers führen.





## INKUBATOR SCHÜTTLER/WIPPSCHÜTTLER BEDIENFELD

Auf der Frontplatte des Inkubators/Schüttlers/Wippschüttlers befinden sich alle für den Betrieb des Geräts erforderlichen Regler und Anzeiger.

- A. Bereitschaftstaste/Bereitschaftsanzeigeleuchte:** Die Bereitschaftsanzeigeleuchte leuchtet, wenn das Gerät eingesteckt ist. Das Gerät ist dann im Bereitschaftsmodus. Drücken Sie die Bereitschaftstaste, um die Temperatur-, Geschwindigkeits-/Neigungs- und Zeitfunktionen zu aktivieren. Die Bereitschaftsanzeigeleuchte erlischt, und die Anzeige für Temperatur, Geschwindigkeit/Neigung und Zeit erstrahlt. Drücken Sie die Bereitschaftstaste erneut, und das Gerät geht wieder in den Bereitschaftsmodus.
- B. Temperaturanzeige:** Zeigt die aktuelle/Solltemperatur in Verbindung mit den Anzeigeleuchten für den aktuelle/Sollwert an. **C.** Auf-/Ab-Pfeile für die Sollwertsteuerung. AN/AUS startet/stoppt das Heizfunktion. **D.** Die Heiz Anzeigeleuchte erstrahlt, während das Gerät heizt.
- E. Aktuelle Wertanzeige:** Erstrahlt, wenn die angezeigte Temperatur der aktuellen Lufttemperatur in der Kammer entspricht.
- F. Sollwertanzeigeleuchte:** Erstrahlt, wenn der Solltemperatur angezeigt wird.
- G. Achtung-heiß-Warnleuchte:** Erstrahlt, wenn die Lufttemperatur in der Kammer über 40 °C liegt.

- H. Geschwindigkeits-/Neigungsanzeige:** Zeigt die Geschwindigkeit und Neigung des Geräts an. **I.** Auf-/Ab-Pfeile für die Sollwertsteuerung. AN/AUS startet/stoppt das Schütteln/Wippschütteln. **J.** Die Geschwindigkeits-/Neigungsanzeigeleuchte erstrahlt, während das Gerät schüttelt/wippschüttelt.
- K. Funktionstaste:** Zum Wahl der Funktion drücken, die Sie einstellen möchten: Geschwindigkeit oder Neigung.
- L. Geschwindigkeitsanzeigeleuchte:** Erstrahlt, wenn die Geschwindigkeit angezeigt wird.
- M. Geschwindigkeitsanzeigeleuchte:** Erstrahlt, wenn der Neigungswinkel angezeigt wird.
- N. Zeitanzeige:** Zeigt die abgelaufene Zeit (Dauerbetrieb) oder die verbleibende Zeit an (Timer-Modus). **O.** Auf-/Ab-Pfeile für die Sollwertsteuerung. AN/AUS startet/stoppt das Zeitfunktion. Die Anzeige geht von 0 bis 9999 Minuten in Schritten von einer (1) Sekunde. Die Anzeige zeigt Minuten und Sekunden an, bis der Timer 99 Minuten und 59 Sekunden erreicht (99:59) und wechselt dann automatisch auf Minutenanzeige bis 9999 Minuten.

**INKUBATOR/SCHÜTTLER SPEZIFIKATIONEN**

<b>Gesamtabmessungen (L x B x H):</b>	16,5 x 10,1 x 10,8" (41,9 x 25,7 x 27,4cm)
<b>Innenausmaße (L x B):</b>	10,75 x 7,75 x 3,8" (27,3 x 19,7 x 9,7cm)
<b>Tablettausmaße (L x B):</b>	10 x 7,5" (25,4 x 19,1cm)
<b>Elektrisch (50/60 Hz):</b>	120 Volt AC, 3,74 A, 420 Watt 230 Volt AC, 1,87 A, 420 Watt
<b>Sicherungen:</b>	5 mm x 20 mm, 5 Amp schnellauslösend
<b>Temperaturbereich:</b>	Raumtemperatur +5 bis 65 °C
<b>Temperaturgleichförmigkeit:</b>	+/-0,5 °C bei 37 °C
<b>Geschwindigkeitsbereich:</b>	1 bis 50 U/min*
<b>Geschwindigkeitsgenauigkeit:</b>	±1 U/min
<b>Neigungsbereich:</b>	0 bis 15°*
<b>Nutzlast:</b>	10 lb (4,5 kg)**
<b>Timer:</b>	digital, 1 sec bis 999 min (in Schritten von 1 sec)
<b>Steuerelemente:</b>	siehe Seite 40
<b>Behältermaterial:</b>	Aluminium
<b>Versandgewicht:</b>	13,5lbs (6,1 kg)

\* Höchstgeschwindigkeit/Neigungswinkel können bei schwerer oder unwuchtiger Beladung abweichen.

\*\* auf Platte zentriert.

**INKUBATOR/WIPPSCHÜTTLER SPEZIFIKATIONEN**

<b>Gesamtabmessungen (L x B x H):</b>	16,5 x 10,1 x 10,8" (41,9 x 25,7 x 27,4cm)
<b>Innenausmaße (L x B):</b>	10,75 x 7,75 x 3,4" (27,3 x 19,7 x 8,6cm)
<b>Tablettausmaße (L x B):</b>	9,25 x 7,25" (23,5 x 18,4cm)
<b>Elektrisch (50/60 Hz):</b>	120 Volt AC, 3,74 A, 420 Watt 230 Volt AC, 1,87 A, 420 Watt
<b>Sicherungen:</b>	5 mm x 20 mm, 5 Amp schnellauslösend
<b>Temperaturbereich:</b>	Raumtemperatur +5 bis 65 °C
<b>Temperaturgleichförmigkeit:</b>	+/-0,5 °C bei 37 °C
<b>Geschwindigkeitsbereich:</b>	1 bis 30 U/min*
<b>Geschwindigkeitsgenauigkeit:</b>	±1 U/min
<b>Neigungsbereich:</b>	0 bis 20°*
<b>Nutzlast:</b>	2,3kg**
<b>Timer:</b>	digital, 1 sec bis 999 min (in Schritten von 1 sec)
<b>Steuerelemente:</b>	siehe Seite 40
<b>Behältermaterial:</b>	Aluminium
<b>Versandgewicht:</b>	14,5lbs (6,6kg)

\* Höchstgeschwindigkeit/Neigungswinkel können bei schwerer oder unwuchtiger Beladung abweichen.

\*\* auf Platte zentriert.

## INKUBATOR/SCHÜTTLER/WIPPSCHÜTTLER BETRIEBSANWEISUNGEN

Ohaus Inkubatoren/Schüttler/Wippschüttler werden zur Vorbereitung von Proben zum Testen verwendet. Diese Geräte wurden so entwickelt, dass Temperatur-, Geschwindigkeits-/Neigungs- und Zeiteinstellungen unabhängig voneinander funktionieren. Temperatur und Geschwindigkeit/Neigung können ohne Neueinstellung des Timers verändert werden, und der Timer lässt sich ohne Unterbrechen der Heiz- oder Schüttel/Wippschüttelfunktion stoppen und starten.

### 1. Erste Schritte:

- a. Verbinden Sie das Stromkabel mit einer ordnungsgemäß geerdeten Steckdose. Die Bereitschaftsanzeigeleuchte erstrahlt und zeigt an, dass das Gerät unter Spannung steht. Bewegen Sie die Platte manuell in eine beinahe horizontale Ausgangsposition, bevor Sie das Gerät einschalten.
- b. Drücken Sie die Bereitschaftstaste, um das Gerät aus dem Bereitschaftsmodus zu holen. Die Bereitschaftsanzeigeleuchte erlischt, und die Anzeige für Temperatur, Geschwindigkeit/Neigung und Zeit erstrahlt und zeigt die zuletzt verwendeten Einstellungen an.

### 2. Temperatureinstellung:

- a. Drücken Sie die Auf-/Ab-Pfeile unter der Temperaturanzeige, bis die gewünschte Temperatur erreicht ist. Beim Loslassen der Pfeiltasten blinkt die Anzeige, um anzuzeigen, dass die neue Temperatur angenommen wurde.
- b. Drücken Sie AN/AUS, um das Heizen zu starten. Die Anzeigeleuchte unter der Temperaturanzeige erstrahlt und zeigt damit an, dass die Heizfunktion verwendet wird. Sie hören fünf (5) Piepser, die anzeigen, dass die eingestellte Temperatur erreicht wurde.
- c. Einstellungen der Solltemperatur lassen sich ohne Unterbrechen des Heizens durch Drücken Auf- und Ab-Pfeile unter der Temperaturanzeige vornehmen. Nach Änderung und beim Loslassen der Pfeiltasten blinkt die Anzeige, um anzuzeigen, dass die neue Solltemperatur angenommen wurde.
- d. Stoppen können Sie das Heizen durch Drücken von AN/AUS unter der Temperaturanzeige, die Heizanzeigeleuchte erlischt.

### Achtung-heiß-Warnleuchte:

Diese Anzeigeleuchte warnt davor, dass die Lufttemperatur in der Kammer über 40 °C liegt. Die Leuchte leuchtet dauerhaft, wenn die Lufttemperatur in der Kammer beinahe 40 °C erreicht. Sobald das Heizen unterbrochen wird, leuchtet die Warnleuchte weiter, bis die Lufttemperatur in der Kammer unter 40 °C fällt.



3. **Neigungseinstellung:** Die elektronische Neigungseinstellung erlaubt es dem Nutzer, den Winkel der Plattenbewegung einzustellen, während das Gerät schüttelt/wippschüttelt oder während es ruht.

- a. Drücken Sie Funktionstaste unter der Geschwindigkeits-/Neigungsanzeige, bis die Neigungsanzeigeleuchte erstrahlt. Jetzt können Sie den Neigungswinkel einstellen.
- b. Drücken Sie die Auf-/Ab-Pfeile unter der Geschwindigkeits-/Neigungsanzeige, bis der gewünschte Winkel erreicht ist. Beim Loslassen der Pfeiltasten blinkt die Anzeige, um anzuzeigen, dass der neue Winkel angenommen wurde. Das Gerät führt dann eine Umdrehung im zuvor eingestellten Winkel durch und wechselt dann sanft in den neu programmierten Winkel. Die Neigungsanzeigeleuchte blinkt, bis der Übergang in den neuen Neigungswinkel abgeschlossen ist.

4. **Geschwindigkeitseinstellung:**

- a. Drücken Sie Funktionstaste unter der Geschwindigkeits-/Neigungsanzeige, bis die Neigungsanzeigeleuchte erstrahlt. Jetzt können Sie die Geschwindigkeit einstellen.
- b. Drücken Sie die Auf-/Ab-Pfeile unter der Geschwindigkeits-/Neigungsanzeige, bis die gewünschte Geschwindigkeit erreicht ist. Beim Loslassen der Pfeiltasten blinkt die Anzeige, um anzuzeigen, dass die neue Geschwindigkeit angenommen wurde.
- c. Drücken Sie AN/AUS, um das Schütteln zu starten. Die Anzeigeleuchte unter der Geschwindigkeits-/Neigungsanzeige blinkt, bis der Übergang auf die eingestellte Geschwindigkeit vollendet ist, dann leuchtet die Anzeigeleuchte weiter und zeigt damit an, dass die Schüttel-/Wippschüttelfunktion verwendet wird.
- d. Zum Stoppen des Schüttelns/Wippschüttelns drücken Sie AN/AUS unter der Geschwindigkeits-/Neigungsanzeige. Das Gerät führt eine volle Umdrehung aus und bleibt dann in der horizontalen Ausgangsposition stehen. Die Geschwindigkeitsanzeigeleuchte blinkt, bis die Umdrehung vollendet ist. Sobald der Zyklus vollendet ist, begibt sich das Gerät automatisch in den Bereitschaftsmodus, und die Bereitschaftsanzeigeleuchte erstrahlt.

## INKUBATOR/SCHÜTTLER/WIPPSCHÜTTLER BETRIEBSANLEITUNGEN (FORTS.)

### TIPPS ZUM BETRIEB

Wenn das Gerät mit geringer Geschwindigkeit oder in einem hohen Winkel läuft, können große Änderungen am Neigungswinkel oder der Geschwindigkeit mehrere Minuten zum Abschluss benötigen. Der schnellste Weg zur Vornahme großer Änderungen an Geschwindigkeit oder Neigungswinkel ist das Gerät zu stoppen, die Änderung vorzunehmen und dann das Gerät durch Drücken von AN/AUS unter der Anzeige neu zu starten.

5. **Einstellen der Zeit auf Null (00:00) und Dauerbetrieb:** Verstrichene Zeit.
  - a. Drücken und halten Sie AN/AUS unter der Anzeige. Nach drei (3) Sekunden zeigt die Anzeige die zuvor eingestellte Zeit an.
  - b. Drücken Sie gleichzeitig die Auf- und Ab-Pfeile, und die Anzeige zeigt Null (00:00) an. Die Zeit des Geräts ist jetzt auf null Minuten (00:00) eingestellt. Alternativ können Sie auf die Auf- und Ab-Pfeile zum Einstellen auf Null (00:00) verwenden.
  - c. Drücken und halten Sie AN/AUS unter der Zeitanzeige. Die Anzeige zeigt die verstrichene Zeit an. Die Auf- und Ab-Pfeile werden inaktiv. Zum Stoppen des Timers drücken Sie erneut AN/AUS. **WICHTIG:** Dies unterbricht **NICHT** das Schütteln/Wippschütteln. Drücken Sie AN/AUS unter der Geschwindigkeits-/Neigungsanzeige zum Unterbrechen des Schüttelns/Wippschüttelns.
  - d. Zum Zurücksetzen drücken und halten Sie AN/AUS unter der Zeitanzeige. Nach drei (3) Sekunden zeigt die Anzeige die zuvor eingestellte Zeit an (0:00).
6. **Einstellen des Timer-Modus:** Programmierte Zeit.
  - a. Drücken Sie die Auf-/Ab-Pfeile unter der Zeitanzeige, bis die gewünschte Zeit erreicht ist.
  - b. Starten Sie diese Funktion durch Drücken von AN/AUS unter der Zeitanzeige. Das Gerät läuft während der gewählten Zeit, die Auf- und Ab-Pfeile werden inaktiv, während der Timer läuft. Das Gerät stoppt das Schütteln/Wippschütteln, sobald die Zeit Null (00:00) erreicht. Vier (4) Piepser ertönen und zeigen an, dass die Countdown-Funktion beendet ist. Die Zeitanzeige kehrt standardmäßig auf die eingestellte Zeit zurück. Um die gleiche Zeit zu wiederholen, drücken Sie einfach erneut AN/AUS.
  - c. Zum Unterbrechen des automatischen Timer-Modus drücken Sie vor dem Zyklusende AN/AUS unter der Zeitanzeige. Die Zeitanzeige blinkt und zeigt damit

an, dass die Zeitfunktion auf "Pause" steht. **WICHTIG:** Dies unterbricht **NICHT** das Schütteln/Wippschütteln. Drücken Sie AN/AUS unter der Geschwindigkeits-/Neigungsanzeige zum Unterbrechen des Schüttelns/Wippschüttelns. Starten Sie den Timer neu durch Drücken von AN/AUS unter der Zeitanzeige, das Gerät zählt weiter auf Null (00:00). Sobald die Anzeige Null (00:00) erreicht, hören Sie vier (4) Piepser, die anzeigen, dass die Zeitfunktion beendet ist; das Schütteln/Wippschütteln stoppt.

### 7. Ausschalten des Geräts:

- a. Zum Ausschalten des Geräts drücken Sie die Bereitschaftstaste. Die Anzeige für Geschwindigkeit/Neigung und Zeit erlöschen, die Bereitschaftsanzeigeleuchte erstrahlt. Der Schüttler/Wippschüttler verbleibt im Bereitschaftsmodus, wenn er nicht verwendet wird. Um die Stromzufuhr zum Gerät vollständig zu unterbrechen, trennen Sie das Stromkabel vom Gerät oder ziehen den Stecker aus der Steckdose.

### TIPPS ZUM BETRIEB

Der eingebaute Speicher hält die zuletzt verwendete Temperatur, Geschwindigkeit/Neigung und Zeit bei Unterbrechung der Stromzufuhr vor.

Ein eingebautes Programm schaltet die Stromzufuhr zum Motor aus, wenn die Platte beim Schütteln/Wippschütteln behindert wird oder das Gerät über seine zulässige Nutzlast belastet wird.

## STÖRUNGSSUCHE

Während des Betriebs kann jedes Klappern oder Klickern auf eine lose Schraube an der Wipplatte, ihrer Befestigung oder am Zubehör hinweisen. Alle Zubehöerteile sollten vor dem Starten des Geräts ausreichend fest montiert sein.

Fehler	Fehlerursache	Wie Fix
E1	Widerstandsthermometer offen oder Temperatur über 100 °C für einen Inkubator.	Dieser Fehler kann nicht von einem Endnutzer behoben werden. Das Gerät vom Stromnetz trennen und sich bitte an Ihren Ohaus-Vertreter wenden.
E2	Widerstandsthermometer kurzgeschlossen oder Temperatur unter 0°C für einen Inkubator.	Dieser Fehler kann nicht von einem Endnutzer behoben werden. Das Gerät vom Stromnetz trennen und sich bitte an Ihren Ohaus-Vertreter wenden.
E3	Mechanisches Hindernis blockiert Motor Antriebsriemen kaputt	Drücken Sie die Bereitschaftstaste zum Löschen dieses Fehlers. Falls der Fehler E3 weiterhin neben reibenden, knackenden oder schrubbernde Geräuschen besteht, trennen Sie das Gerät vom Stromnetz und wenden sich bitte an Ihren Ohaus-Vertreter.  Im Falle eines E3-Fehlalarms (wenn z.B. jemand versehentlich die Wipplatte berührt, während das Gerät läuft), geht das Gerät automatisch in die horizontale Ausgangsposition und startet neu.  Sollte sich ein Hindernis unter der Platte befinden, was zu einem ständigen Neustart des Geräts führen würde, versucht das Gerät automatisch in die Ausgangsposition zu gehen und startet vier (4) Mal neu und bleibt dann stehen (Fehleranzeige: E3). Dieser Fehler lässt sich durch den Nutzer durch Drücken der Bereitschaftstaste beheben.
E4	Höchstlast überschritten	Drücken Sie die Bereitschaftstaste zum Löschen dieses Fehlers. Vergewissern Sie sich, dass die Last innerhalb der zulässigen Grenzen liegt, bevor Sie das Gerät starten. Falls das Problem weiterhin besteht, das Gerät vom Stromnetz trennen und sich bitte an Ihren Ohaus-Vertreter wenden.



Manual de Instrução

Agitador de balanço de incubação, ISRK04HDG

Agitador de ondulação de incubação, ISWV02HDG

EN - English	.....	1
FR - Français	.....	9
ES - Español	.....	18
IT - Italiano	.....	27
DE - Deutsch	.....	36
PT - Português	.....	45
NL - Nederlands	.....	54
NO - Norsk	.....	58
DA - Dansk	.....	62
SV - Svenska	.....	66
FI - Suomi	.....	70
HU - Magyar	.....	74
PL - Polski	.....	78
CZ - Czech	.....	82
KR - Korean	.....	86



## ÍNDICE

Conteúdo da Caixa	46
Serviço de informação	46
Instalação	47
Manutenção e Serviço	47
Finalidade de Uso	47
Condições Ambientais	47
Instruções de Segurança	48
Padrões e Regulamentos	48
Painel de Controlo da Incubadora	49
Espec. Agitadores Basc. Incubadores.	50
Espec. Onduladores Incubadores	50
Instruções Op. Agit. Basc. Incub./Ond.	51-52
Solução de problemas	53

### CONTEÚDO DA CAIXA

---

Agitador de balanço de incubação ou Agitador de ondulação de incubação  
 Cabo de alimentação  
 Manual de Instruções

### SERVIÇO DE INFORMAÇÃO

---

Se a seção de solução de problemas não resolver ou descrever o problema, entre em contato com o agente de serviço autorizado OHAUS. Para assistência técnica ou suporte técnico nos Estados Unidos, ligue gratuitamente para 1-800-672-7722 ext. 7852 entre 8:00 AM e 5:00 PM EST. Um especialista do serviço de produtos da OHAUS estará disponível para prestar assistência. Fora dos EUA, visite nosso site, [www.ohaus.com](http://www.ohaus.com) para localizar o escritório OHAUS mais próximo de você.

Número de Série: \_\_\_\_\_

Data de Compra: \_\_\_\_\_

Fornecedor: \_\_\_\_\_

## INSTALAÇÃO

Ao receber o Agitador Basculante/Ondulador da Ohaus certifique-se de que não ocorreu nenhum dano durante o envio. É importante que qualquer dano que tenha ocorrido durante o transporte seja detetado durante o desembalamento. Se encontrar algum dano, a transportadora deve ser notificada imediatamente.

Após o desembalamento, coloque o Agitador Basculante/Ondulador numa superfície de trabalho distante de vapores explosivos. Assegure-se de que a superfície onde o equipamento funcionará resiste ao calor típico produzido pelo equipamento e coloque o equipamento no mínimo a 15,24 cm de distância de superfícies verticais. Coloque sempre o equipamento numa área firme para funcionamento.

O Agitador Basculante/Ondulador vem acompanhado de um cabo de alimentação para ser ligado, em primeiro lugar, ao adaptador IEC na parte traseira do equipamento; de seguida deve ser ligado à corrente elétrica que possua um fio terra apropriado. O equipamento de 120V é ligado a 120 volts, fonte de 50/60 Hz. O equipamento de 230V é ligado a 230 volts, fonte de 50/60 Hz.

## MANUTENÇÃO E SERVIÇO

O Agitador Basculante/Ondulador foi construído para um serviço duradouro, fiável e sem problemas. Não é necessária qualquer lubrificação ou outra manutenção técnica para operação. No entanto, pelo menos a cada três (3) meses, deve:

- Desligar a unidade.
- Remover qualquer sujidade acumulada a partir da base e bandeja.
- Verifique todos os itens acessíveis para se certificar de que estão devidamente apertados.

Não necessita de manutenção, exceto manter a superfície limpa. O equipamento deve receber os cuidados normais necessários como qualquer equipamento elétrico. Evite molhar ou expor desnecessariamente a fumos. Eventuais derrames devem ser limpos imediatamente. Não use produtos de limpeza ou solventes no painel dianteiro que sejam abrasivos, inflamáveis ou provoquem danos no plástico. Assegure-se sempre de que o cabo de

alimentação está desligado do equipamento antes de limpá-lo. Se o equipamento precisar de manutenção ou serviço contate o representante da Ohaus.

## FINALIDADE DE USO

Estes Agitadores Basculantes e Onduladores destinam-se a um uso geral em laboratório.

## CONDIÇÕES AMBIENTAIS

**Condições Operacionais:** usar apenas em locais fechados.

Temperatura:	5 a 40°C (41 to 104°F)
Humidade:	80% de hum. relativa, não condens.
Altitude:	0 a 6,562 ft (2000 M) acima do nível do mar

### Armazenamento:

Temperatura:	-20 a 65°C (-4 to 149°F)
Humidade:	máximo 80% de hum. relativa, não condensável

Categoria de Instalação II e Grau de Poluição 2 de acordo com a IEC 664.

## ELIMINAÇÃO DE EQUIPAMENTO

Esse equipamento não poder ser colocado em lixo que não seja separado. É sua responsabilidade de entregar esse equipamento para uma companhia autorizada de separação e reciclagem de lixo para que seja corretamente destruído ou reciclado. É também sua responsabilidade descontaminar o equipamento em caso de qualquer contaminação biológica, química e/ou radiológica, a fim de proteger as pessoas envolvidas na eliminação e reciclagem do equipamento contra riscos de saúde.



Para mais informações sobre onde você pode entregar o seu equipamento para ser eliminado, por favor entre em contato com representante local onde você originalmente comprou o seu equipamento. Ao fazer assim, você estará ajudando a conservar recursos naturais e ambientais e você assegurará que seu equipamento será reciclado de forma que protege a saúde humana.



## INSTRUÇÕES DE SEGURANÇA

Leia o manual de instruções antes de utilizar o Agitador Basculante/Ondulador.



**AVISO! NÃO** use o Agitador Basculante/Ondulador num ambiente perigoso ou com materiais perigosos para os quais o equipamento não foi programado. O utilizador também deve estar consciente de que a proteção fornecida pelo equipamento pode estar comprometida se for utilizado com acessórios não fornecidos ou recomendados pelo fabricante, ou se for utilizado de alguma forma não especificada pelo fabricante.

Utilize sempre o equipamento numa superfície plana para obter o melhor desempenho e máxima segurança.

**NÃO** levante o equipamento pela bandeja de plataforma ou tampa.



**CUIDADO!** Para evitar choques elétricos, assegure-se de que não há qualquer corrente elétrica no equipamento, desligando o cabo de alimentação da eletricidade. Desligue o equipamento da energia elétrica antes de fazer a manutenção e serviço. **NÃO** coloque o aparelho dentro de água para proceder à sua limpeza. **NÃO** utilize o equipamento se tiver sinais aparentes de problemas elétricos ou mecânicos.



**ATENÇÃO!** (Apenas unidades de incubação) A luz indicadora de atenção devido a calor adverte quando a temperatura da placa superior é superior a 40 °C. A luz acende-se e permanece acesa quando a temperatura da placa superior atinge aproximadamente 40 °C. Quando o calor é desligado, a luz indicadora de atenção devido a calor permanece acesa até que a temperatura da placa superior seja inferior a 40 °C.







Fio Terra - Terminal Condutor Protetor



Corrente Alternada

## NORMAS E REGULAMENTOS

A conformidade com as seguintes normas e regulamentos está indicada pela marca correspondente no produto.

Marca	Normas e regulamentos
	A OHAUS Corporation declara que o Série SHRK, ISRK, ISWV agitadores cumpre as directivas 2011/63/EU, 2014/30/EU, 2014/35/EU e as normas EN 50581, EN 61010-1, EN 61010-2-051, EN 61326-1. O texto integral da declaração de conformidade está disponível no seguinte endereço de Internet: <a href="http://www.ohaus.com/ce">www.ohaus.com/ce</a> .
	Este produto cumpre com a Diretiva 2012/19/EU. Elimine este produto de acordo com os regulamentos locais no ponto de recolha especificado para o equipamento elétrico e eletrónico. Para instruções de eliminação na Europa, consulte <a href="http://www.ohaus.com/weee">www.ohaus.com/weee</a> .
	EN 61326-1
	CAN/CSA C22.2 61010-1, CAN/CSA C22.2 61010-2-051 UL 61010-1, UL 61010-2-051

Aviso Global

Aviso: Este é um produto de Classe A. Em um ambiente doméstico, este produto pode causar interferência de rádio, caso em que o usuário pode ser obrigado a tomar medidas adequadas.

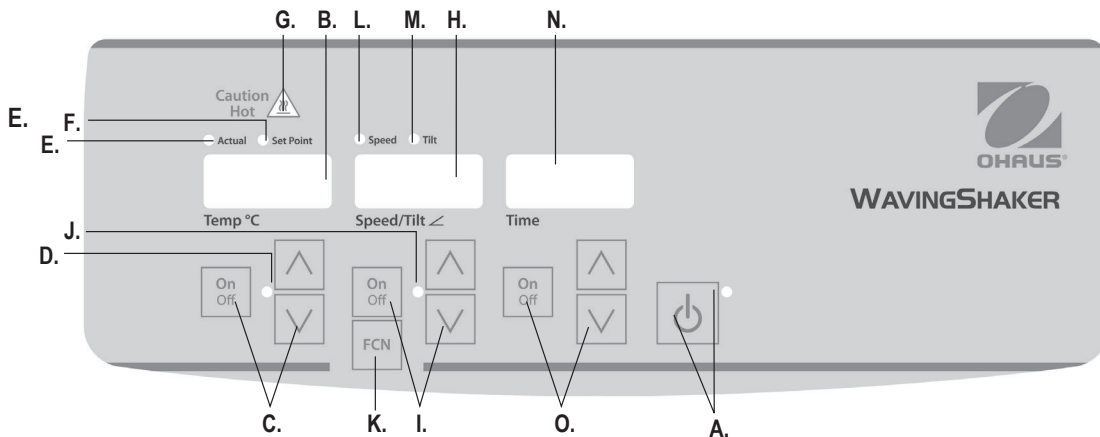
Canadá Aviso

Este aparelho digital Classe A está em conformidade com a norma canadense ICES-003.

Aviso da FCC

NOTA: Este equipamento foi testado e está em conformidade com os limites para um dispositivo digital de Classe A, de acordo com a Parte 15 das Regras da FCC. Esses limites são projetados para fornecer proteção razoável contra interferência prejudicial quando o equipamento é operado em um ambiente comercial. Este equipamento gera, usa e pode irradiar energia de frequência de rádio e, se não for instalado e usado de acordo com o manual de instruções, pode causar interferência prejudicial às comunicações de rádio. A operação deste equipamento em uma área residencial é susceptível de causar interferência prejudicial, caso em que o usuário será obrigado a corrigir a interferência por conta própria.

Alterações ou modificações não expressamente aprovadas pela Ohaus Corporation podem anular a autoridade do usuário para operar o equipamento.



## PAINEL DE CONTROLO DO AGITADOR BASCULANTE INCUBADOR/ONDULADOR

O painel dianteiro do Agitador Basculante Incubador/Ondulador contém todos os controlos e indicadores necessários para a operação do equipamento.

- A. Botão de espera/luz indicadora de espera:** a luz indicadora de espera acende quando o equipamento está ligado. O equipamento estará no modo de espera. Pressione o botão de espera para ativar a temperatura, velocidade/inclinação e as funções de tempo. A luz indicadora de espera apagar-se-á e a temperatura, o indicador de velocidade/inclinação e o indicador de tempo acender-se-ão. Pressione o botão de espera e o equipamento ficará novamente no modo de espera.
- B. Indicador de temperatura:** exibe as temperaturas atuais/ajustadas juntamente com as luzes indicadoras atuais/ajustadas. **C.** Setas cima/baixo para o controlo do ponto ajustado. O botão de ligar/desligar inicia/para a função de aquecimento. **D.** A luz indicadora de aquecimento ficará acesa quando o equipamento estiver a aquecer.
- E. Luz indicadora atual:** acende-se quando a temperatura exibida é a temperatura atual do ar na câmara.
- F. Luz indicadora ajustada:** acende-se quando a temperatura do ponto ajustado é exibida.
- G. Luz avisadora de calor:** acende-se quando a temperatura do ar da câmara está acima

dos 40 °C (104 °F).

- H. Indicador de velocidade/inclinação:** exibe a velocidade e inclinação do equipamento.
- I.** Setas cima/baixo para o controlo do ponto ajustado. O botão de ligar/desligar inicia/para a função basculante/onduladora. **J.** A luz indicadora de velocidade/inclinação ficará acesa quando o equipamento estiver a bascular/ondular.
- K. Botão de funções:** pressione para escolher a função que irá definir: velocidade ou inclinação.
- L. Luz indicadora de velocidade:** acende-se quando a velocidade é exibida.
- M. Luz indicadora de inclinação:** acende-se quando o ângulo de inclinação é exibido.
- N. Indicador de tempo:** exibe o tempo acumulado (modo contínuo) ou o tempo restante (modo temporizado). **O.** Setas cima/baixo para o controlo do ponto ajustado. O botão de ligar/desligar inicia/para a função de tempo. O indicador varia de 0 a 9999 minutos em aumentos de um (1) segundo. O indicador exibirá os minutos e segundos até que o temporizador alcance 99 minutos e 59 segundos (99:59), de seguida o indicador exibirá automaticamente os minutos até 9999.

**ESPECIFICAÇÕES DOS AGITADORES BASCULANTES INCUBADORES**

<b>Dimensões gerais (C x L x A):</b>	16,5 x 10,1 x 10,8" (41,9 x 25,7 x 27,4cm)
<b>Dimensões interiores (C x L):</b>	10,75 x 7,75 x 3,8" (27,3 x 19,7 x 9,7cm)
<b>Dimensões da bandeja (C x L):</b>	10 x 7,5" (25,4 x 19,1cm)
<b>Parte elétrica (50/60 Hz):</b>	120 volts AC, 3,74 ampères, 420 watts 230 volts AC, 1,87 ampères, 420 watts
<b>Fusíveis:</b>	5 mm x 20 mm, 5 Amp ação rápida
<b>Varição de temperatura:</b>	ambiente +5° a 65°C
<b>Uniformidade de temperatura:</b>	+/-0,5°C a 37°C
<b>Gama de velocidades:</b>	1 a 50 rpm*
<b>Precisão de velocidade:</b>	±1 rpm
<b>Ângulo de inclinação:</b>	0 a 15°*
<b>Capacidade de peso:</b>	10 lb (4,5 kg)**
<b>Temporizador:</b>	digital, 1 segundo a 9999 minutos (em aumentos de 1 segundo)
<b>Controlos:</b>	consulte a página 49
<b>Material da bandeja:</b>	alumínio
<b>Peso com embalagem:</b>	13,5lbs (6,1 kg)

\* A velocidade máxima/ângulo de inclinação pode variar com cargas pesadas ou não equilibradas.

\*\* Centrado na bandeja.

**ESPECIFICAÇÕES DOS ONDULADORES INCUBADORES**

<b>Dimensões gerais (C x L x A):</b>	16,5 x 10,1 x 10,8" (41,9 x 25,7 x 27,4cm)
<b>Dimensões interiores (C x L):</b>	10,75 x 7,75 x 3,4" (27,3 x 19,7 x 8,6cm)
<b>Dimensões da bandeja (C x L):</b>	9,25 x 7,25" (23,5 x 18,4cm)
<b>Parte elétrica (50/60 Hz):</b>	120 volts AC, 3,74 ampères, 420 watts 230 volts AC, 1,87 ampères, 420 watts
<b>Fusíveis:</b>	5 mm x 20 mm, 5 Amp ação rápida
<b>Varição de temperatura:</b>	ambiente +5° a 65°C
<b>Uniformidade de temperatura:</b>	+/-0,5°C a 37°C
<b>Gama de velocidades:</b>	1 a 30 rpm*
<b>Precisão de velocidade:</b>	±1 rpm
<b>Ângulo de inclinação:</b>	0 a 20°*
<b>Capacidade de peso:</b>	5 lb (2,3 kg)**
<b>Temporizador:</b>	digital, 1 segundo a 9999 minutos (em aumentos de 1 segundo)
<b>Controlos:</b>	consulte a página 49
<b>Material da bandeja:</b>	alumínio
<b>Peso com embalagem:</b>	14,5lbs (6,6kg)

\* A velocidade máxima/ângulo de inclinação pode variar com cargas pesadas ou não equilibradas.

\*\* Centrado na bandeja.

## INSTRUÇÕES DE OPERAÇÃO DOS AGITADORES BASCULANTES INCUBADORES/ONDULADORES

Os Agitadores Basculantes Incubadores/Onduladores da Ohaus são usados para preparar amostras para testagem. Estes equipamentos foram concebidos para que as funções de temperatura, velocidade/inclinação e tempo funcionem independentemente. A temperatura e velocidade/inclinação podem ser reajustadas sem reajustar o temporizador e este pode parar e iniciar sem interromper as funções de aquecimento ou basculantes/onduladoras.

### 1. Preparação:

- Ligue o cabo de alimentação numa saída com ligação à terra. A luz indicadora de espera acender-se-á, verificando a energia no equipamento. Mova manualmente a bandeja da plataforma para uma posição "inicial" horizontal próxima antes de utilizar o equipamento.
- Pressione o botão de espera para sair do modo de espera. A luz indicadora de espera apagar-se-á e a temperatura, o indicador de velocidade/inclinação e o indicador de tempo acender-se-ão e exibirão os ajustes usados anteriormente.



### 2. Ajuste da temperatura:

- Pressione as setas cima/baixo em baixo do indicador de temperatura até alcançar a temperatura pretendida. Quando soltar o botão direcional, o indicador ficará intermitente, informando que a nova temperatura ajustada foi aceite.
- Pressione o botão de ligar/desligar para iniciar a função de aquecimento. A luz indicadora em baixo do indicador de temperatura acender-se-á para indicar que a função de aquecimento está a ser usada. Ouvirá cinco (5) sinais sonoros que indicarão que a temperatura ajustada foi alcançada.
- Os ajustes de temperatura podem ser realizados sem interromper o aquecimento usando as setas cima/baixo em baixo do indicador de temperatura. Depois de a mudança ser realizada e soltar o botão o indicador ficará intermitente, informando que a nova temperatura ajustada foi aceite.
- Para parar o aquecimento pressione o botão de ligar/desligar em baixo do indicador de temperatura; a luz indicadora de aquecimento desligar-se-á.

### Luz avisadora de calor:

A luz avisadora de calor informa que a temperatura do ar na câmara está acima dos 40 °C. A luz irá acender-se e permanecerá acesa quando a temperatura do ar na câmara chegar aproximadamente aos 40 °C. Quando o aquecimento for desligado, a luz avisadora de calor

CAUTION  
HOT TOP



permanecerá acesa até que a temperatura do ar na câmara seja inferior a 40 °C.

- Ajuste da inclinação:** a inclinação eletrónica permite que o utilizador ajuste o ângulo do movimento da bandeja enquanto o equipamento está a bascular/ondular ou enquanto o equipamento está parado.
  - Pressione o botão de funções em baixo do indicador de velocidade/inclinação até que a luz indicadora de inclinação se acenda. Agora pode ajustar o ângulo de inclinação.
  - Pressione as setas cima/baixo em baixo do indicador de velocidade/inclinação até alcançar o ângulo pretendido. Quando soltar o botão direcional, o indicador ficará intermitente, informando que o novo ângulo ajustado foi aceite. O equipamento realizará uma rotação no ângulo ajustado anteriormente e de seguida mudará lentamente para o novo ângulo programado. A luz indicadora de inclinação piscará até que a transição para o novo ângulo de inclinação esteja concluída.
- Ajuste da velocidade:**
  - Pressione o botão de funções em baixo do indicador de velocidade/inclinação até que a luz indicadora de velocidade se acenda. Agora pode ajustar a velocidade.
  - Pressione as setas cima/baixo em baixo do indicador de velocidade/inclinação até alcançar a velocidade pretendida. Quando soltar o botão direcional, o indicador ficará intermitente, informando que a nova velocidade ajustada foi aceite.
  - Pressione o botão de ligar/desligar para iniciar a função basculante/onduladora. A luz indicadora em baixo do indicador de velocidade/inclinação piscará até que a transição para a velocidade ajustada esteja concluída, aí a luz ficará acesa indicando que a função basculante/onduladora está a ser usada.
  - Para parar a função basculante/onduladora pressione o botão de ligar/desligar em baixo do indicador de velocidade/inclinação. O equipamento realizará uma rotação completa, aí parará na posição "inicial" horizontal. A luz indicadora de velocidade piscará até que a rotação esteja concluída. Quando o ciclo estiver concluído o equipamento moverá automaticamente para o modo de espera e a luz indicadora de espera acender-se-á.

## INSTRUÇÕES DE OPERAÇÃO DOS AGITADORES BASCULANTES INCUBADORES/ONDULADORES (CONT.)

### INDICAÇÕES DE OPERAÇÃO

Quando o equipamento estiver a trabalhar a baixa velocidade ou ângulos elevados, a realização de grandes alterações ao ângulo de inclinação ou velocidade pode demorar alguns minutos. A forma mais rápida de realizar grandes alterações na velocidade ou ângulo de inclinação é parar o equipamento, mudar a velocidade ou o ângulo de inclinação e de seguida reiniciar pressionando o botão de ligar/desligar em baixo do indicador de velocidade/inclinação.

5. **Ajuste do tempo para zero (0:00) e modo contínuo:** tempo acumulado.
  - a. Pressione e mantenha premido o botão de ligar/desligar em baixo do indicador de tempo. Depois de três (3) segundos o indicador informará o tempo ajustado anteriormente.
  - b. Pressione simultaneamente as setas cima e baixo; o indicador exibirá a informação de zero (0:00). O tempo do equipamento está agora ajustado para zero (0:00) minutos. Também pode usar as setas cima/baixo para exibir “zero” (0:00).
  - c. Pressione o botão de ligar/desligar em baixo do indicador de tempo. O indicador exibirá o tempo acumulado. As setas cima/baixo ficarão inativas. Para parar o temporizador pressione novamente o botão de ligar/desligar. **IMPORTANTE:** isto **NÃO** interromperá a função basculante/onduladora. Pressione o botão de ligar/desligar em baixo do indicador de velocidade/inclinação para interromper a função basculante/onduladora.
  - d. Para reajustar pressione e mantenha premido o botão de ligar/desligar em baixo do indicador de tempo. Após três (3) segundos o indicador exibirá o tempo ajustado anteriormente, que era zero (0:00).
6. **Ajuste do modo temporizado:** tempo programado.
  - a. Pressione as setas cima/baixo em baixo do indicador de tempo até alcançar o tempo pretendido.
  - b. Inicie esta função pressionando o botão de ligar/desligar em baixo do indicador de tempo. O equipamento funcionará durante o tempo selecionado; as setas cima/baixo ficarão inativas enquanto o temporizador estiver a funcionar. O equipamento deixará de bascular/ondular quando o indicador de tempo chegar ao zero (0:00). Quatro (4) avisos sonoros indicarão que a função de contagem decrescente está concluída. O indicador de tempo voltará ao tempo ajustado por defeito. Para repetir o processo volte a tocar no botão de ligar/desligar.

- c. Para interromper um ciclo de tempo automático antes de estar concluído pressione o botão de ligar/desligar em baixo do indicador de tempo. O indicador de tempo ficará intermitente, informando que a função de tempo está em “espera”. **IMPORTANTE:** isto **NÃO** interromperá a função basculante/onduladora. Pressione o botão de ligar/desligar em baixo do indicador de velocidade/inclinação para interromper a função basculante/onduladora. Reinicie o temporizador pressionando o botão de ligar/desligar em baixo do indicador de tempo. O equipamento continuará a realizar a contagem decrescente até zero (0:00). Quando o indicador chegar ao zero (0:00) ouvirá os quatro (4) sinais sonoros que indicarão que a função de contagem decrescente está concluída e a função basculante/onduladora parará.

### 7. Desligação do equipamento:

- a. Para desligar o equipamento pressione o botão de espera. Os indicadores de temperatura, velocidade/inclinação e tempo ficarão em branco, a luz indicadora de espera acender-se-á. O Agitador Basculante Incubador/Ondulador deve ser mantido no modo de espera quando não está a ser usado. Assegure-se de que não há qualquer corrente elétrica no equipamento, desligando o cabo de alimentação da eletricidade.

### INDICAÇÕES DE OPERAÇÃO

A memória incorporada guarda os últimos ajustes de temperatura, velocidade/inclinação e tempo usados durante uma interrupção de energia.

Um programa incorporado desligará a energia do motor se a bandeja de plataforma ficar impedida de bascular/ondular ou o equipamento ficar sobrecarregado além da respetiva capacidade de peso recomendada.

## RESOLUÇÃO DE PROBLEMAS

Durante o funcionamento, quaisquer sons de chocalho ou tiquetaque podem ser sinal de um parafuso solto na bandeja de plataforma, encaixe da bandeja ou acessórios. Todos os acessórios devem estar bem apertados no lugar antes de acionar o equipamento.

Erro	Causa do erro	Resolução
E1	RTD aberta ou temperatura acima dos 100 °C para um equipamento incubador-for an Incubating Unit	Este erro não pode ser resolvido pelo utilizador final. Desligue o equipamento e entre em contacto com o representante da Ohaus para proceder à reparação.
E2	RTD curto-circuitada ou temperatura abaixo dos 0 °C para um equipamento incubador	Este erro não pode ser resolvido pelo utilizador final. Desligue o equipamento e entre em contacto com o representante da Ohaus para proceder à reparação.
E3	Obstrução mecânica Motor parado Transmissão por correia partida	Pressione o botão de espera para eliminar este erro. Se o erro E3 persistir, juntamente com ruídos de moagem, choque ou fricção, desligue o equipamento e entre em contacto com o representante da Ohaus para proceder à reparação.  No caso de um erro E3 accidental (por ex.: alguém tocar inadvertidamente na bandeja de plataforma enquanto o equipamento está a funcionar), o equipamento irá automaticamente para a posição “inicial” horizontal e reiniciará.  No caso de uma obstrução em baixo da bandeja, que faria o equipamento reiniciar continuamente, o equipamento tentará voltar automaticamente ao início e reiniciar quatro (4) vezes e depois parar, exibindo um erro E3. Este erro pode ser eliminado pelo utilizador ao pressionar o botão de espera.
E4	Carga máxima ultrapassada	Pressione o botão de espera para eliminar este erro. Certifique-se de que a carga se encontra na especificação de carga máxima antes de reiniciar o equipamento. Se o problema persistir, desligue o equipamento e entre em contacto com o representante da Ohaus para proceder à reparação.



Gebruiksaanwijzing  
Schommelende schudincubator, ISRK04HDG  
Zwaaierende schudincubator, ISWV02HDG

EN - English	.....	1
FR - Français	.....	9
ES - Español	.....	18
IT - Italiano	.....	27
DE - Deutsch	.....	36
PT - Português	.....	45
NL - Nederlands	.....	54
NO - Norsk	.....	58
DA - Dansk	.....	62
SV - Svenska	.....	66
FI - Suomi	.....	70
HU - Magyar	.....	74
PL - Polski	.....	78
CZ - Czech	.....	82
KR - Korean	.....	86

## VEILIGHEIDS INSTRUCTIES

Lees, voor het in gebruik nemen van de Schommelaar/Schudder a.u.b. de volledige gebruiksaanwijzing door.



**WAARSCHUWING!** Gebruik de Schommelaar/Schudder **NIET** in een onveilige omgeving, en werk **NIET** met onveilige stoffen die niet geschikt en ontworpen zijn voor dit apparaat. Ook moet de gebruiker zich ervan bewust zijn dat de bescherming geboden door de apparatuur aangetast kan worden indien deze wordt gebruikt met accessoires die niet door de fabrikant zijn verstrekt of aanbevolen, of wordt gebruikt op een manier die niet door de fabrikant omschreven wordt.

Gebruik het apparaat altijd op een vlakke ondergrond (waterpas) voor de best mogelijke uitvoering en maximale veiligheid.

**TIL** het apparaat **NIET** op aan het plaatoppervlak of het deksel.

**WAARSCHUWING!** ! Haal de stekker uit het stopcontact om een elektrische schok te vermijden. Sluit voordat er onderhoud of service aan het apparaat plaats vindt de stroom uit. Dompel het apparaat voor het reinigen **NIET** onder in water. Gebruik het apparaat **NIET** als het tekenen van elektrische of mechanische schade vertoont.



**VOORZICHTIG!** (alleen incubatieapparaten) Het waarschuwinglampje voor hete temperaturen geeft aan dat de temperatuur van de bovenplaat hoger is dan 40 °C. Het lampje licht op en blijft branden als de temperatuur van de bovenplaat ongeveer 40 °C bereikt. Als het verwarmen wordt uitgeschakeld, blijft het waarschuwinglampje branden tot de temperatuur van de bovenplaat lager is dan 40 °C.




Geaard - Beschermd gebruikers werkstation



Wisselstroom

## NORMEN EN VOORSCHRIFTEN

Naleving van de volgende normen en voorschriften wordt aangegeven door de corresponderende markering op het product.

Mark	Normen en voorschriften
	OHAUS Corporation verklaart dat de SHRK, ISRK, ISWV-serie Schudapparaat voldoen aan de richtlijnen 2011/63/EU, 2014/30/EU, 2014/35/EU en de normen EN 50581, EN 61010-1, EN 61010-2-051, EN 61326-1. De volledige tekst van de EU-conformiteitsverklaring kan worden geraadpleegd op het volgende internetadres: <a href="http://www.ohaus.com/ce">www.ohaus.com/ce</a> .
	Dit product voldoet aan de richtlijn 2012/19/EU. Gooi dit product in overeenstemming met de plaatselijke regelgeving op het verzamelpunt opgegeven voor elektrische en elektronische apparatuur. Voor de afvalverwerking in Europa, zie <a href="http://www.ohaus.com/weee">www.ohaus.com/weee</a> .
	EN 61326-1
	CAN/CSA C22.2 61010-1, CAN/CSA C22.2 61010-2-051 UL 61010-1, UL 61010-2-051

Global Kennisgeving

Waarschuwing: Dit is een klasse A product. In een huiselijke omgeving kan dit product radio-interferentie, in welk geval de gebruiker kan worden verplicht om passende maatregelen te nemen.

Canada Kennisgeving

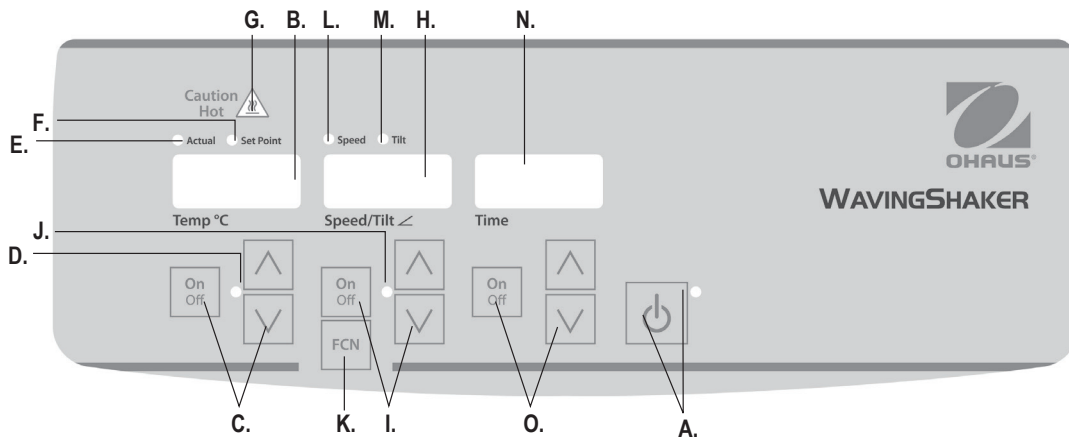
Dit Klasse A digitale apparaat voldoet aan de Canadese ICES-003.

FCC-kennisgeving

OPMERKING: Deze apparatuur is getest en voldoet aan de limieten voor een klasse A digitaal apparaat, conform Deel 15 van de FCC-regels. Deze beperkingen zijn bedoeld om een redelijke bescherming te bieden tegen schadelijke interferentie wanneer de apparatuur wordt gebruikt in een commerciële milieu. Dit apparaat genereert, gebruikt en kan radiofrequentie-energie uitstralen en kan, indien niet geïnstalleerd en gebruikt in overeenstemming met de instructies, schadelijke storing aan radiocommunicatie veroorzaken. Gebruik van deze apparatuur in een woonwijk zal waarschijnlijk schadelijke storing, in welk geval de gebruiker verplicht om de storing op eigen kosten te verhelpen.

Wijzigingen die niet uitdrukkelijk door Ohaus Corporation zijn goedgekeurd, kunnen de bevoegdheid van de gebruiker om het apparaat te gebruiken.





## BEDIENINGSPANEEL INCUBATIE SCHOMMELAAR/SCHUDDER

Het voorpaneel van de Incubatie Schommelaar/Schudder bevat alle bedieningselementen en displays die nodig zijn om het apparaat te bedienen.

- A. Standby-knop/standby-indicatielampje:** het standby-lampje zal oplichten als de eenheid wordt aangesloten op de netspanning. De eenheid zal in de standby-stand staan. Druk op de standby-knop om de temperatuur, snelheid/helling en tijd functies te activeren. Het standby-indicatielampje zal uitgaan en de temperatuur, snelheid/helling en tijd displays zullen oplichten. Druk nogmaals op de standby-knop en het apparaat zal teruggaan naar de standby-stand.
- B. Temperatuur display:** toont de werkelijke/ingestelde temperatuur in combinatie met de werkelijke/ingestelde indicatielampjes. **C.** Op/nee pijltjes voor ingestelde temperatuur controle. Aan/uit knop start/stopt de warmte functie. **D.** Het hitte indicatielampje zal oplichten wanneer het apparaat heet wordt.
- E. Werkelijke/actuele temperatuur indicatielampje:** brandt als de temperatuur die wordt weergegeven de werkelijke temperatuur van de lucht in de kamer is.
- F. Ingestelde temperatuur indicatielampje:** brandt als de ingestelde temperatuur wordt weergegeven.

- G. Hittewaarschuwing indicatielampje:** brandt als de temperatuur van de lucht van de kamer 40°C (104°F) overschrijdt.
- H. Snelheid/helling display:** de snelheid en helling van het apparaat worden weergegeven. **I.** Op/nee pijltjes voor ingestelde temperatuur controle. Aan/uit knop start/stopt de functie schommelen/schudden. **J.** Het snelheid/helling indicatielampje zal oplichten wanneer het apparaat schommelt/schudt.
- K. Functieknop:** druk hierop om de functie te kiezen die u wilt instellen: snelheid of helling.
- L. Snelheid indicatielampje:** brandt als de snelheid wordt weergegeven.
- M. Helling indicatielampje:** brandt als de hellingshoek wordt weergegeven.
- N. Tijd display:** Toont de opgetelde tijd (continue stand) of overgebleven tijd (tijd stand). **O.** Op/nee pijltjes voor ingestelde temperatuur controle. Aan/uit knop start/stopt de functie tijd. Het bereik van de weergave is van 0 tot 9999 minuten in stappen van één (1) seconde. Het display geeft minuten en seconden aan tot de timer 99 minuten en 59 seconden (99:59) bereikt, daarna toont de display automatisch minuten tot 9999.

## PROBLEEMOPLOSSER

Ratelende of tikkende geluiden als de apparatuur in gebruik is kunnen duiden op een losse schroef op de platformplaat of een hulpstuk of accessoire van de plaat. Alle accessoires moeten goed vastgezet worden voordat het apparaat wordt opgestart.

Fout	Oorzaak	Oplossing
E1	RTD open of temperatuur voor een incubatie-unit boven 100°C	Deze fout kan niet worden gerepareerd door de eindgebruiker. Koppel het apparaat los en neem contact op met uw Ohaus vertegenwoordiger voor reparatie.
E2	RTD kortgesloten of temperatuur onder 0°C voor een incubatie-unit	Deze fout kan niet worden gerepareerd door de eindgebruiker. Koppel het apparaat los en neem contact op met uw Ohaus vertegenwoordiger voor reparatie.
E3	Stopgezette motor door mechanische obstructie Aandrijfriem gebroken	<p>Press the standby button to clear this error. If the E3 error persists, along with grinding, knocking or rubbing noises, Druk op de standby-knop om deze fout te herstellen. Als fout E3 zich blijft voordoen, samen met slijp-, klop- of schuurgeluiden, ontkoppel het apparaat en neem contact op met uw Ohaus vertegenwoordiger voor reparatie.</p> <p>In geval van een onbedoelde E3 fout, zoals iemand die per ongeluk de platformplaat aanraakt terwijl het apparaat in bedrijf is, zal de unit automatisch naar de horizontale "home" stand gaan en opnieuw opstarten.</p> <p>In geval van een obstructie onder de plaat, die ertoe zou leiden dat het apparaat doorlopend opnieuw wordt opgestart, probeert het apparaat automatisch terug te gaan naar "home" en vier (4) keer starten en weer stoppen, en een E3 fout by pressing the standby button.</p>
E4	Maximale belasting overschreden	<p>Druk op de standby-knop om deze fout te herstellen. Zorg ervoor dat de belasting binnen de maximale belasting-specificatie valt voordat u de eenheid opnieuw start.</p> <p>Als het probleem zich blijft voordoen, koppel het apparaat los en neem contact op met uw Ohaus vertegenwoordiger voor.</p>



Bruksanvisning  
Inkubator Shaker Rocker, ISRK04HDG  
Inkubator Shaker Waving, ISWW02HDG

EN - English	.....	1
FR - Français	.....	9
ES - Español	.....	18
IT - Italiano	.....	27
DE - Deutsch	.....	36
PT - Português	.....	45
NL - Nederlands	.....	54
NO - Norsk	.....	58
DA - Dansk	.....	62
SV - Svenska	.....	66
FI - Suomi	.....	70
HU - Magyar	.....	74
PL - Polski	.....	78
CZ - Czech	.....	82
KR - Korean	.....	86



## SIKKERHETSINSTRUKSJONER

Vennligst les hele instruksjonsmanualen før risteren/bølgeinnretningen benyttes.



**ADVARSEL! IKKE** bruk risteren/bølgeinnretningen i farlige omgivelser eller sammen med farlige materialer som ikke er beregnet for enheten. Brukeren må også være oppmerksom på at beskyttelsen som utstyret tilbyr kan bli svekket dersom den brukes med tilbehør som ikke er levert eller anbefalt av produsenten, eller hvis den brukes på en måte som ikke er spesifisert av produsenten.

Bruk alltid enheten på en flat overflate for best ytelse og maksimal sikkerhet.

**IKKE** løft enheten ved å holde i plattformbrettet eller lokket.



**FORSIKTIG!** Koble strømforsyningen fra enheten fullstendig ved å trekke ut ledningen fra enheten eller stikkkontakten i veggen for å unngå elektrisk støt. Koble enheten fra strømforsyningen før vedlikehold og reparasjoner.

**IKKE** senk enheten under vann ved rengjøringen. **IKKE** bruk enheten hvis den viser tegn til elektrisk eller mekanisk skade.



**ADVARSEL!** (Kun inkubatorenheter) Indikatorlyset for varmeadvarsel varsler at temperaturen på topp-platen er over 40°C. Lyset vil tennes og forbli tent når temperaturen på topp-platen når omtrentlig 40°C. Når varmen er skrudd av, vil indikatorlyset for varmeadvarsel forbli tent inntil temperaturen til topp-platen er mindre enn 40°C.







Jording - Beskyttende lederterminal



Vekselstrøm

## STANDARDE OG FORSKRIFTER

Samsvar av følgende standarder og forskrifter er angitt med tilsvarende merket på produktet.

Merking	Standarder og forskrifter
	OHAUS Corporation erklærer at SHRK, ISRK, ISWV-serien risteapparater i samsvar med direktivene 2011/63/EU 2014/30/EU 2014/35/EU og standardene EN 50581, EN 61010-1, EN 61010-2-051, EN 61326-1. Den fullstendige teksten i EU-erklæring er tilgjengelig på følgende internettadresse: <a href="http://www.ohaus.com/ce">www.ohaus.com/ce</a> .
	Dette produktet er i samsvar med direktiv 2012/19/EU. Vennligst kast dette produktet i henhold til lokale regler på samlepunkt spesifisert for elektrisk og elektronisk utstyr. For deponering i Europa, se <a href="http://www.ohaus.com/weee">www.ohaus.com/weee</a> .
	EN 61326-1
	CAN/CSA C22.2 61010-1, CAN/CSA C22.2 61010-2-051 UL 61010-1, UL 61010-2-051

### Global Notice

Advarsel: Dette er et klasse A-produkt. I et hjemmemiljø kan dette produktet forårsake radioforstyrrelse i så fall må brukeren ta nødvendige tiltak.

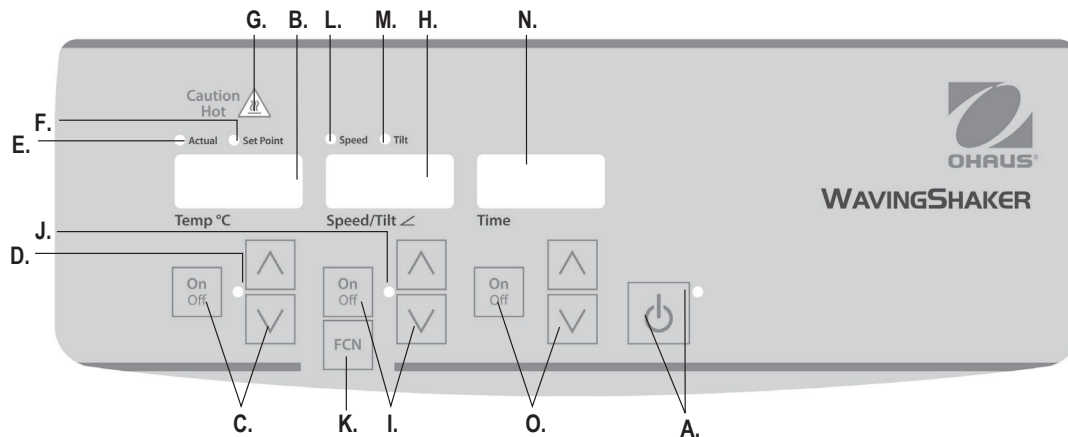
### Canada Notice

Dette klasse A digitale apparatet er i samsvar med den kanadiske ICES-003.

### FCC merknad

MERK: Dette utstyret er testet og funnet i samsvar med grensene for en klasse A digital enhet i henhold til del 15 av FCC-reglene. Disse grensene er utformet for å gi rimelig beskyttelse mot skadelig interferens når utstyret brukes i et kommersielt miljø. Dette utstyret genererer, bruker og kan utstråle radiofrekvensenergi, og hvis det ikke installeres og brukes i henhold til bruksanvisningen, kan det forårsake skadelig interferens på radiokommunikasjon. Bruk av dette utstyret i et boligområde vil sannsynligvis forårsake skadelig interferens i så fall vil brukeren bli bedt om å korrigere interferensen på egen bekostning.

Endringer eller modifikasjoner som ikke er uttrykkelig godkjent av Ohaus Corporation, kan frata brukeren retten til å bruke utstyret.



## RUGENDE VIPPE/BØLGEINNRETNING - KONTROLLPANEL

Frontpanelet til vippe/bølgeinnretning inneholder alle kontroller og displayer som er nødvendige for å betjene enheten.

- A. Standby-knapp/standby-indikatorlampe:** Standby-indikatorlampen lyser når enheten er koblet til strøm. Enheten forblir i standby-modus. Trykk på standby-knappen for å starte temperatur, hastighet/helling- og tidsfunksjonene. Standby-indikatorlampen slukker, og temperatur-, hastighet/hellingsdisplayet og tidsdisplayet lyser. Trykk på standby-knappen igjen og enheten går tilbake til standby-modus igjen.
- B. Temperaturdisplay:** Viser den faktiske/innstilte temperaturen i forbindelse med indikatorlampene for faktisk/innstilt temperatur. **C.** Opp-/nedpiler for innstilling av verdier. På-/av-knappen starter/stopper varmefunksjonen. **D.** Indikatorlampen for varme lyser opp når enheten oppvarmes.
- E. Faktisk indikatorlampe:** Lyser når temperaturen som vises er den faktiske temperaturen til luften i kammeret.
- F. Indikatorlampe for innstillingsverdi:** Lyser når den innstilte temperaturen vises.

- G. Forsiktig, varm indikatorlampe:** Lyser når lufttemperaturen i kammeret er over 40°C (104°F).
- H. Hastighet/hellingsdisplay:** Viser enhetens hastighet og helling. **I.** Opp-/nedpiler for innstilling av verdier. På-/av-knappen starter/stopper vippe/bølge-funksjonen. **J.** Indikatorlampen for hastighet/helling lyser opp når enheten vipper/bølger.
- K. Funksjonsknapp:** Trykk for å velge funksjonen du stiller inn: hastighet eller helling.
- L. Indikatorlampe for hastighet:** Lyser når hastigheten vises.
- M. Indikatorlampe for helling:** Lyser når hellingsvinkelen vises.
- N. Tidsdisplay:** Viser akkumulert tid (kontinuerlig modus) eller hvor mye tid som gjenstår (tidsbestemt modus). **O.** Opp-/nedpiler for innstilling av verdier. På-/av-knappen starter/stopper tidsfunksjonen. Displayområdet er fra 0 til 9999 minutter i trinn på ett (1) sekund. Displayet viser minutter og sekunder til timeren når 99 minutter og 59 sekunder (99:59), så viser det automatisk minutter opptil 9999.

## FEILSØKING

Enhver raslende eller tikkende lyd under drift kan indikere en løs skrue på plattformbrettet, brettets vedlegg eller tilbehør. Alt tilbehør bør være på sin plass og strammet tilstrekkelig før enheten startes.

Feil	Feilårsak	Hvordan reparere
E1	RTD åpen eller temperatur over 100°C for en rugende enhet.	Denne feilen kan ikke fikses av sluttbruker. Trekk ut strømkabelen til enheten og vennligst ta kontakt med din Ohaus-representant for reparasjon.
E2	RTD forkortet eller temperatur under 0°C hos en rugende enhet	Denne feilen kan ikke fikses av sluttbruker. Trekk ut strømkabelen til enheten og vennligst ta kontakt med din Ohaus-representant for reparasjon.
E3	Mekanisk hindring Avsluttet motor Drivreim ødelagt	Trykk på standby-knappen for å fjerne denne feilen. Dersom E3-feilen vedvarer, sammen med knusende, bankende eller gnissende støy, frakobles enheten. Ta kontakt med din Ohaus-representant med tanke på reparasjoner. Dersom det er snakk om en vandrende E3-feil, slik som når noen utilsiktet berører plattformbrettet mens enheten er på, så vil enheten automatisk gå til den horisontale "hjem"-posisjonen og starte på ny. Dersom det forekommer en hindring til venstre under brettet, noe som vil føre til at enheten starter på ny hele tiden, så vil enheten forsøke å gå hjem automatisk og starte på nytt fire (4) ganger, og så slutte å gå. Viser en E3-feil. Denne feilen kan fjernes av brukeren ved å trykke på standby-knappen.
E4	Maksimumslast overskredet	Trykk på standby-knappen for å fjerne denne feilen. Sørg for at lasten er innenfor spesifisert maksimumslast før enheten startes på ny. Dersom problemet vedvarer, trekk ut strømkabelen til enheten og vennligst ta kontakt med din Ohaus-representant for reparasjon.



## Brugsanvisning

Inkuberende shaker, rokkende ISRK04HDG

Inkuberende shaker, vuggende, ISWV02HDG

EN - English	.....	1
FR - Français	.....	9
ES - Español	.....	18
IT - Italiano	.....	27
DE - Deutsch	.....	36
PT - Português	.....	45
NL - Nederlands	.....	54
NO - Norsk	.....	58
DA - Dansk	.....	62
SV - Svenska	.....	66
FI - Suomi	.....	70
HU - Magyar	.....	74
PL - Polski	.....	78
CZ - Czech	.....	82
KR - Korean	.....	86

## SIKKERHEDSFORSKRIFTER

Læs venligst hele brugsanvisningen inden rysteapparatet tages i brug.



**ADVARSEL!** Brug IKKE rysteapparatet i en farlig omgivelse eller med farlige materialer, som apparatet ikke er designet til. Brugeren bør også være opmærksom på, at de sikkerhedsforanstaltninger, som apparatet er udstyret med, kan forringes, hvis der anvendes tilbehør, der ikke er leveret eller anbefalet af fabrikanten, eller hvis det anvendes på en anden måde end fabrikanten har angivet.

Brug kun apparatet på en plan overflade for at sikre den bedste ydeevne og den maksimale sikkerhed.

**LØFT IKKE** enheden i platformsbakken eller låget.



**FORSIGTIG!** For at undgå elektrisk stød skal strømmen afbrydes ved at frakoble ledningen fra apparatet eller trække stikket ud af stikkontakten. Afbryd strømforsyningen til apparatet inden der foretages vedligeholdelse eller service. Nedsænk **IKKE** apparatet i vand ved rengøring. Anvend **IKKE** apparatet, hvis det viser tegn på elektrisk eller mekanisk beskadigelse.



**ADVARSEL!** (Kun inkubationsenheder) Advarselslyset blinker for at fortælle at temperaturen på toppladen er over 40 °C. Lyset tændes og forbliver tændt, når temperaturen på toppladen når ca. 40 °C. Når varmen slukkes, blinker advarselslysblinklyset, indtil temperaturen på toppladen falder til under 40 °C







Jordklemme - til beskyttelsesledere



Vekselstrøm

## STANDARDS OG REGLER

Overensstemmelse med følgende standarder og regler er angivet med det tilsvarende mærke på produktet.

Mærke	Standarder og regler
	OHAUS Corporation erklærer, at SHRK, ISRK, ISWV serie rystere overholde direktiverne 2011/63/EU, 2014/30/EU, 2014/35/EU og standarderne EN 50581, EN 61010-1, EN 61010-2-051, EN 61326-1. EU-overensstemmelseserklæringens fulde tekst kan findes på følgende internetadresse: <a href="http://www.ohaus.com/ce">www.ohaus.com/ce</a> .
	Dette produkt er i overensstemmelse med EU-direktiv 2012/19/EU. Bortskaf dette produkt i overensstemmelse med lokale regler på samlingspunktet angivet for elektrisk og elektronisk udstyr. For instruktioner bortskaffelse i Europa, se <a href="http://www.ohaus.com/weee">www.ohaus.com/weee</a> .
	EN 61326-1
	CAN/CSA C22.2 61010-1, CAN/CSA C22.2 61010-2-051 UL 61010-1, UL 61010-2-051

Global Notice

Advarsel: Dette er et klasse A-produkt. I private hjem kan dette produkt forårsage radio forstyrrelse i hvilket tilfælde brugeren kan være nødvendigt at træffe passende foranstaltninger.

Canada Notice

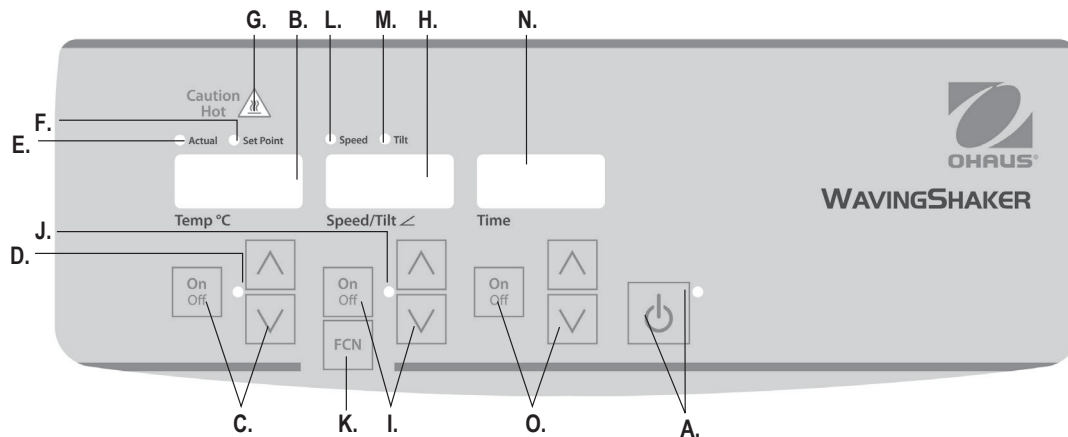
Dette klasse A digitale apparat overholder den canadiske ICES-003.

Notice FCC

**BEMÆRK:** Dette udstyr er blevet testet og fundet i overensstemmelse med grænserne for en Klasse A digital enhed i henhold til afsnit 15 i FCC-reglerne. Disse grænser er designet til at give en rimelig beskyttelse mod skadelig interferens, når udstyret betjenes i et kommercielt miljø. Dette udstyr genererer, bruger og kan udstråle radiofrekvensenergi, og hvis det ikke installeres og bruges i overensstemmelse med brugsanvisningen, forårsager skadelig interferens med radio-kommunikation. Brug af dette udstyr i et boligområde vil sandsynligvis forårsage skadelig interferens, i hvilket tilfælde brugeren vil være forpligtet til at afhjælpe interferensen for egen regning.

Ændringer eller modifikationer, der ikke udtrykkeligt er godkendt af Ohaus Corporation, kan ophæve brugerens ret til at betjene udstyret.





## BETJENINGSPANEL TIL APPARATET

Frontpanelet på apparatet er udstyret med alle knapper og displays, der er nødvendige for at betjene ddt.

**A. Standby-knap/standby-indikator:** Standby-indikatoren tændes, når apparatet tilsluttes strøm. Apparatet vil være i standby-tilstand. Tryk på standbyknappen for at starte hastigheds-/vippe- og tidsfunktionerne. Standby-indikatoren vil slukke og hastigheds/hældnings-displayet og tids-displayet tændes. Tryk på standby-knappen igen for at skifte tilbage til standby-tilstand.

**B. Temperatur-display:** Viser den aktuelt indstillede temperatur sammen med den faktiske/indstillede indikator. **C.** Op/ned-pile til temperaturindstilling. Tænd/sluk-knap starter/stopper opvarmningsfunktionen. **D.** Varmeindikatoren lyser, når enheden opvarmes.

**E. Aktuell indikator:** Tænder, når den viste temperatur er den faktiske lufttemperatur i kammeret.

**F. Indikator for indstillet temperatur:** Tænder, når den indstillede temperatur vises på displayet.

**G. Advarselsindikator for varme:** Tændes, når lufttemperaturen i kammeret er over 40° C (104° F).

**H. Hastigheds/hældnings-display:** Viser apparatets hastighed og hældning. **I.** Op/ned-pile for indstillingsværdier. Tænd/sluk-knap starter/stopper vugge/bølge-funktionen. **J.** Hastigheds/hældningsindikatoren tændes, når apparet vugger/bølger.

**K. Funktionsknap:** Tryk for at vælge den funktion, du indstiller: hastighed eller hældning.

**L. Hastighedsindikator:** Tændes, når hastigheden vises.

**M. Hældningsindikator:** Tændes, når hældningsvinklen vises.

**N. Timer:** Viser akkumuleret tid (kontinuerlig funktion) eller resterende tid (tidsindstillet funktion). **O.** Op/ned-pile for indstillingsværdier. Tænd/sluk-knap starter/stopper vugge/bølge-funktion. Display-intervallet går fra 0-9999 minutter i intervaller på ét (1) sekund. Displayet viser minutter og sekunder, indtil timeren når 99 minutter og 59 sekunder (99:59), hvorefter displayet automatisk viser minutter op til 9999.

## PROBLEMLØSNING

Under brug kan enhver raslende eller tikkende lyd indikere en løs skrue på platformsbakken, bakke onteringer eller tilbehørsdele. Alle tilbehørsdele skal være strammet tilstrækkeligt, før apparatet startes.

Fejl	Årsag	Løsning
E1	RTD er åben eller temperaturen over 100 °C i et inkubationsapparat	Denne fejl kan ikke afhjælpes af slutbrugeren. Frakobl apparatet og kontakt din Ohaus-repræsentant for reparation.
E2	RTD er afkortet eller temperaturen under 0° i et inkubationsapparat	Denne fejl kan ikke afhjælpes af slutbrugeren. Frakobl apparatet og kontakt din Ohaus-repræsentant for reparation.
E3	Mekanisk blokering Motorstop Drivrem knækket	Tryk på standby-knappen for at afhjælpe denne fejl. Hvis E3-fejlen fortsætter sammen med skærende, bankende eller gnidende lyde, skal du frakoble apparatet og kontakte din Ohaus-repræsentant for reparation.  I tilfælde af en uforsætning E3-fejl, såsom at en person uforvarende rører ved platformsbakken, mens apparatet kører, vil apparatet automatisk køre til den horisontale "start"-position og genstarte.  Hvis der sidder en blokering under bakken, hvilket ville få apparatet konstant at genstarte, vil apparatet forsøge at køre til startpositionen og genstarte fire (4) gange og derefter stoppe kørslen og vise en E3-fejl. Denne fejl kan afhjælpes af brugeren ved at trykke på standby-knappen.
E4	Maksimal belastning overskredet	Tryk på standby-knappen for at slette denne fejl. Sørg for, at belastningen er under den maksimale belastningsspecifikation, før du genstarter apparatet.  Hvis problemet fortsætter, skal du frakoble apparatet og kontakte din Ohaus-repræsentant for reparation.



## Bruksanvisning

Inkuberings skak-blandare, ISRK04HDG

Inkuberings skak-blandare, ISWV02HDG

EN - English	.....	1
FR - Français	.....	9
ES - Español	.....	18
IT - Italiano	.....	27
DE - Deutsch	.....	36
PT - Português	.....	45
NL - Nederlands	.....	54
NO - Norsk	.....	58
DA - Dansk	.....	62
SV - Svenska	.....	66
FI - Suomi	.....	70
HU - Magyar	.....	74
PL - Polski	.....	78
CZ - Czech	.....	82
KR - Korean	.....	86

## SÄKERHETSINSTRUKTIONER

Läs hela instruktionshandboken innan du börjar använda Rocker/Waver enheten.



**VARNING! ANVÄND INTE** "Omskakare/Pendlare" i farliga miljöer eller tillsammans med farliga material för vilka enheten inte är designad. Användaren bör också vara medveten om att skyddet, som utrustningen är försett med, kan försämrats om enheten används tillsammans med tillbehör, som inte levererats eller rekommenderats av tillverkaren, eller den används på ett sätt som inte har angivits av tillverkaren.

Använd alltid enheten på ett jämnt underlag för att få bästa prestanda och maximum säkerhet.

**LYFT INTE** enheten i själva insatsen eller i locket.



**FÖRSIKTIGHET!** För att undvika elektriska stötar stäng av enheten helt genom att dra ur nätsladden i enheten eller i vägguttaget. Dra ur nätsladden innan underhållsarbete eller service påbörjas på enheten. **SÄNK INTE NED** enheten i vätskor för rengöring. **ANVÄND INTE** enheten om den visar tecken på elektriska skador eller mekaniska skador



**FÖRSIKTIGHET!** (Inkuberings enheter endast) Försiktighets värmeindikatorlampa varnar för att temperaturen hos den övre plattan är över 40 °C. Ljuset tänds och förblir tänd när temperaturen på den övre plattan når ca 40 °C.







Jordning - Skyddsledarklämmor



Växelström

## STANDARDS OCH FÖRESKRIFTER

Överensstämmelse med följande standarder och föreskrifter anges med motsvarande markering på produkten.

Märke	Standarder och föreskrifter
	OHAUS Corporation förklarar att SHRK, ISRK, ISWV-serien skakbord överensstämmer med direktiven 2011/63/EU, 2014/30/EU, 2014/35/EU och de standarder EN 50581, EN 61010-1, EN 61010-2-051, EN 61326-1. Den fullständiga texten till EU-försäkran om överensstämmelse finns på följande webbadress: <a href="http://www.ohaus.com/ce">www.ohaus.com/ce</a> .
	Denna produkt överensstämmer med EU Direktiv 2012/19/EU. Vänligen kassera denna produkt i enlighet med lokala föreskrifter vid uppsamlingspunkten angiven för elektrisk och elektronisk utrustning. För kasserings instruktioner i Europa referera till <a href="http://www.ohaus.com/weee">www.ohaus.com/weee</a> .
	EN 61326-1
	CAN/CSA C22.2 61010-1, CAN/CSA C22.2 61010-2-051 UL 61010-1, UL 61010-2-051

global Observera

Varning: Detta är en klass A-produkt. I hemmiljö kan denna produkt orsaka radio störningar i vilket fall användaren kan behöva vidta lämpliga åtgärder.

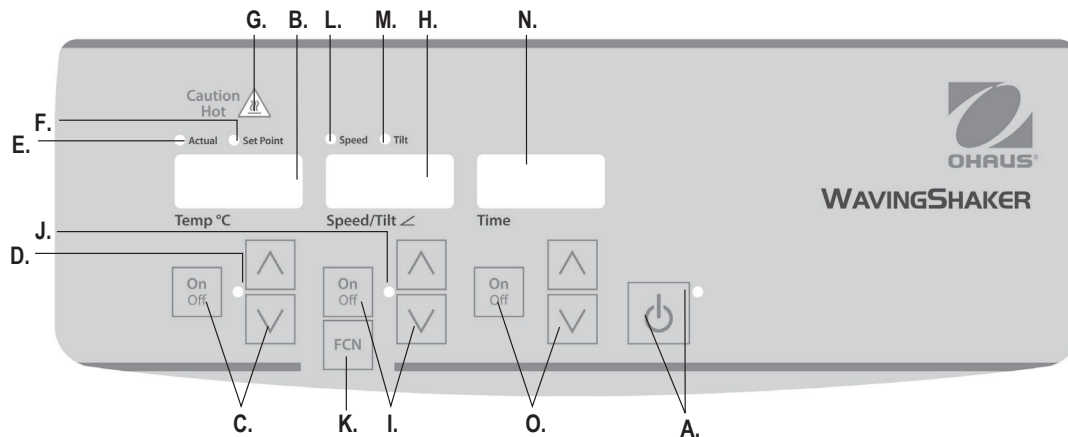
Kanada Observera

Denna klass A digitala apparat överensstämmer med kanadensiska ICES-003.

FCC-meddelande

OBS: Denna utrustning har testats och befunnits uppfylla gränserna för en klass A digital enhet, i enlighet med del 15 av FCC-reglerna. Dessa gränser är utformade för att ge rimligt skydd mot skadliga störningar när utrustningen används i en kommersiell miljö. Denna utrustning genererar, använder och kan utstråla radiofrekvent energi och om den inte installeras och används i enlighet med bruksanvisningen, kan den orsaka störningar på radiokommunikation. Användning av denna utrustning i ett bostadsområde kommer sannolikt att orsaka störningar i vilket fall användaren kommer att krävas för att korrigera störningen på egen bekostnad.

Ändringar eller modifieringar som inte uttryckligen har godkänts av Ohaus Corporation kan upphäva användarens rätt att använda utrustningen.



## MANÖVERPANEL INCUBATING ROCKER/WAVER

Frontpanelen på Incubating Rocker/Waver enheten innehåller alla reglagen och displayer som behövs för att använda enheten.

**A. Standby knapp/standby indikatorlampa:** Standby indikatorlampan tänds när enheten kopplas in. Enheten befinner sig då i standby läge. Tryck på standby knappen för att aktivera hastighet/lutning och tidsfunktionerna. Standby indikatorlampan slöcknar och hastighet/lutnings displayen och tidsdisplayen tänds. Tryck på standby knappen igen och enheten återgår i standby läge.

**B. Temperaturdisplay:** Visar aktuell/börvärdestemperaturer samtidigt som indikatorlampan tänds. **C.** Upp/ned pilarna för inställning av börvärde. På/Av knappen startar/stänger av uppvärmningsfunktionen. **D.** Indikatorlampan lyser när uppvärmningen är påslagen.

**E. Indikatorlampa för aktuell temperatur:** Lyser när temperaturen som visas är den verkliga lufttemperaturen i kammaren.

**F. Indikatorlampa för börvärde:** Tänds när börvärdestemperaturen visas.

**G. Indikatorlampa varnar för hög värme:** Tänds när lufttemperaturen i kammaren når över 40°C.

**H. Hastighet/lutnings display:** Visar enhetens hastighet och lutning. **I.** Upp/ned pilarna för inställning av börvärde. På/Av knappen startar/stänger av funktionen för skakning/vågrörelse. **J.** Indikatorlampan för skakning/lutning tänds när enheten utför skakning/vågrörelse.

**K. Funktionsknapp:** Tryck för att välja funktion som du ställer in: Hastighet eller lutning med.

**L. Indikatorlampa för hastighet:** Tänds när hastigheten visas.

**M. Indikatorlampa för hastighet:** Tänds när lutningsvinkeln visas.

**N. Tiddisplay:** Visar ackumulerad tid (kontinuerligt läge) eller hur mycket tid som återstår (tidsinställt läge). **O.** Upp/ned pilarna för inställning av börvärde. På/Av knappen startar/stänger av tidsfunktionen. Displayens intervaller är från 0 till 9999 minuter i steg om en (1) sekund. Displayen anger minuter och sekunder tills timern når 99 minuter och 59 sekunder (99,59) då displayen övergår till att automatiskt visa minuter upp till 9999.

## FELSÖKNING

Om skramlande eller tickande ljud hörs under användning kan detta indikera lös skruv i plattformsskålen, skålnätfästningen eller i tillbehör. Alla tillbehör bör vara ordentligt åtdragna på plats innan enheten startas upp.

Fel	Felorsak	Hur man åtgärdar
E1	RTD är öppen eller så överstiger temperaturen 100°C för en inkubationseenhet	<p>Detta fel kan inte åtgärdas av slutanvändaren. Koppla ifrån enheten från nätspänning och kontakta din Ohaus representant för reparation.</p>
E2	RTD är öppen eller så överstiger temperaturen 100°C för en inkubationseenhet.	<p>Detta fel kan inte åtgärdas av slutanvändaren. Koppla ifrån enheten från nätspänning och kontakta din Ohaus representant för reparation.</p>
E3	<p>Motorn stannat p g a Mekanisk obstruktion Drivremmen har gått sönder</p>	<p>Tryck ned standby knappen och åtgärda fel. Om E3 felet kvarstår tillsammans med ett slipande, knackande eller gnidande ljud, koppla ifrån nätspänningen och kontakta din Ohaus representant för reparation.</p> <p>Vid ett E3 fel som beror på att någon oavsiktligt har rört vid plattformsskålen då enheten är i gång kommer den automatiskt att gå till det horisontella utgångsläget och starta på nytt.</p> <p>Om ett föremål har lämnats kvar under skålen, som orsakar enheten att kontinuerligt starta på nytt, kommer den att försöka återgå till utgångsläget fyra (4) gånger och sedan stänga av och visa fel E3. Detta fel kan tas bort genom att användaren trycker på standby knappen</p>
E4	Maximal belastning har överskridits	<p>Tryck ned standby knappen och åtgärda detta fel. Kontrollera att belastningen är inom specificerad belastning innan enheten startas på nytt.</p> <p>Om problemet kvarstår, koppla ifrån enheten från nätspänning och kontakta din Ohaus representant för reparation.</p>



Käyttöohje

Keinuva inkubointiravistin, ISRK04HDG

Heiluva inkubointiravistin, ISWV02HDG

EN - English	.....	1
FR - Français	.....	9
ES - Español	.....	18
IT - Italiano	.....	27
DE - Deutsch	.....	36
PT - Português	.....	45
NL - Nederlands	.....	54
NO - Norsk	.....	58
DA - Dansk	.....	62
SV - Svenska	.....	66
FI - Suomi	.....	70
HU - Magyar	.....	74
PL - Polski	.....	78
CZ - Czech	.....	82
KR - Korean	.....	86



## TURVALLISUUSOHJEET

Lue koko ohjekirja ennen laitteen käyttöä..



**VAROITUS!** Älä käytä laitetta vaarallisissa ympäristöissä tai vaarallisten materiaalien kanssa, joille laitetta ei ole suunniteltu. Käyttäjän tulee myös huomata, että laitteiston tarjoama suojaus saattaa vikaantua, jos sitä käytetään lisälaitteilla, jotka eivät ole valmistajan tarjoamia tai suosittelemia, tai jos laitetta käytetään laitteen valmistajan ohjeiden vastaisesti.

Käytä laitetta tasaisella pinnalla saadaksesi parhaan suorituskyvyn ja maksimoidaksesi turvallisuuden.

**ÄLÄ** nosta laitetta alustasta tai kannesta.



**HUOMAUTUS!** Vältäaksesi sähköiskun vaaran, sammuta laitteen virta kokonaan irrottamalla virtajohto laitteesta tai irrota laite pistorasiasta. Irrota laite virtalähteestä ennen ylläpitotoimia ja huoltoa. **ÄLÄ** upota laitetta veteen puhdistamista varten. **ÄLÄ** käytä laitetta jos siinä vaikuttaa olevan sähköisiä tai mekaanisia vikoja.



**HUOMIO!** (Vain inkubointiyksiköt) Kuumasta varoitettava merkkivalo varoittaa, että ylälevyn lämpötila on yli 40 °C. Valo syttyy ja jää palamaan, kun ylälevyn lämpötila saavuttaa noin 40 °C lämpötilan. Kun lämpö on sammutettu, kuumasta varoitettava merkkivalo palaa, kunnes ylälevyn lämpötila laskee alle 40 °C.







Suojamaa - rasialiitin



Vaihtovirta

## STANDARDIEN JA MÄÄRÄYSTEN

Noudattaminen seuraavien standardien ja määräysten osoitetaan vastaava merkintä tuotteeseen.

Merkki	Standardien ja määräysten
	OHAUS Corporation vakuuttaa, että SHRK, ISRK, ISWV sarja sekoittajat noudatettava direktiivien 2011/63/EU 2014/30/EU 2014/35/EU ja standardien EN 50581, EN 61010-1, EN 61010-2-051, EN 61326-1. EU-vaatimustenmukaisuusvakuutuksen täysimittainen teksti on saatavilla seuraavassa internetosoitteessa: <a href="http://www.ohaus.com/ce">www.ohaus.com/ce</a> .
	Tämä tuote täyttää direktiivin 2012/19/EU. Hävitä tuote paikallisten määräysten mukaisesti on keruupisteeseen määritelty sähkö- ja elektroniikkalaitteissa. Hävitysohjeet Euroopassa, katso <a href="http://www.ohaus.com/weee">www.ohaus.com/weee</a> .
	EN 61326-1
	CAN/CSA C22.2 61010-1, CAN/CSA C22.2 61010-2-051 UL 61010-1, UL 61010-2-051

Global Notice

Varoitus: Tämä on luokan A tuote. Kotikäytössä tämä tuote saattaa häiritä radiolaitteita jolloin käyttäjä voi ryhtyä tarvittaviin toimenpiteisiin.

Kanadassa Huomio

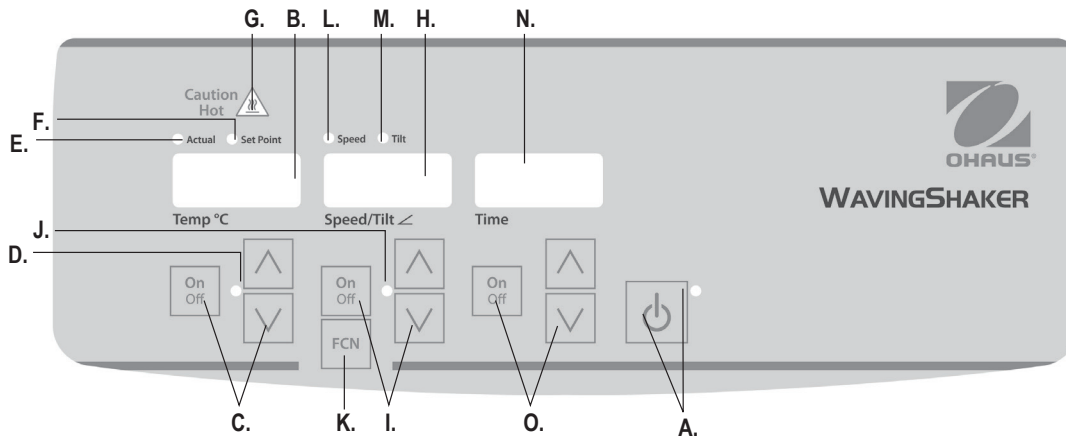
Tämä luokan A digitaalinen laite on kanadalaisen ICES-003.

FCC

**HUOMAUTUS:** Tämä laite on testattu ja todettu noudattavan luokan A digitaalisille laitteille kohdan 15 FCC Rules. Nämä rajat on suunniteltu antamaan kohtuullinen suojia haitallisia häiriöitä vastaan, kun laitetta käytetään kaupallisessa ympäristössä. Tämä laite tuottaa, käyttää ja voi säteillä radiotaajuuksia energiaa ja jos sitä ei asenneta ja käytetä ohjeiden mukaisesti manuaalinen, se voi aiheuttaa häiriöitä radioliikenteelle. Tämän laitteen käyttö asuinalueella aiheuttaa todennäköisesti haitallisia häiriöitä, jolloin käyttäjän on korjattava häiriö omalla kustannuksellaan.

Laitteen muuttaminen ei ole nimennomaisesti hyväksynyt Ohaus Corporation voivat mitätöidä käyttäjän oikeuden käyttää laitetta.





## LAITTEEN HALLINTAPANEELI

Laitteen etupaneelissa ovat kaikki ohjaimet ja näytöt laitteen käyttöä varten.

**A. Valmiustilan painiketta/valmiustilan merkkivalo:** valmiustilan merkkivalo syttyy kun laite on kytketty. Laite on valmiustilassa, aina valmiustilan painiketta aktivoitaksesi lämpötilan, nopeuden/kallistuksen ja aikatoiminnot. Valmiustilan merkkivalo sammuu, ja lämpötila, nopeus/kallistus- ja aikänäyttö syttyy. Paina valmiustilan painiketta uudestaan ja laite menee uudestaan valmiustilaan.

**B. Lämpötilänäyttö:** Näyttää todellisen/asetusarvon lämpötilat yhteydessä todellisen/asetuskohdan merkkivalojen kanssa. **C.** Nuolet ylös/alas todellisen/asetusarvon hallinta. On/off -painike käynnistää/pysäyttää lämmitystoiminnon. **D.** Lämmityksen merkkivalo syttyy, kun laitetta lämmitetään.

**E. Todellinen merkkivalo:** Syttyy kun näytetty lämpötila on kammiossa olevan lämpötilan todellinen lämpötila.

**F. Merkkivalo:** Syttyy kun asetettu lämpötila näytetään.

**G. Varoitus kuuma-** Syttyy, kun kammion ilman lämpötila on yli 40°C.

**H. Nopeus/kallistuksen näyttö:** Näyttää laitteen nopeuden ja kallistuksen. **I.** Nuolet ylös/alas asetuskohdan hallinnalle. On/off-painike käynnistää/pysäyttää heilunta-toiminnon. **J.** Nopeuden/kallistuksen merkkivalo syttyy, kun laite keino.

**K. Toimintopainike:** Paina valitaksesi toiminnon, jota aseta nopeus tai kallistus.

**L. Nopeuden merkkivalo:** Syttyy kun nopeus näytetään.

**M. Kallistuksen merkkivalo:** Syttyy kun kallistuskulma näytetään.

**N. Aikanäyttö:** Näyttää kuluneen ajan (jatkuva tila) tai paljonko aikaa on jäljellä (ajoitettu tila). **O.** Nuolet ylös/alas asetuskohdan hallinnalle. On/off-painike käynnistää/pysäyttää aikatoiminnon. Näyttöalue on 0 - 9999 minuuttia sekunnin (1) välein. Näytössä ovat minuutit ja sekunnit siihen asti, kunnes aika on sekunnin välein. Näyttö osoittaa minuutit ja sekunnit, kunnes ajastin on 99 minuuttia ja 59 sekuntia (99:59), sitten näyttö näyttää automaattisesti minuutit 9999 asti.

## VIANETSINTÄ

Kaikki naputtavat äänet käytön aikana voivat tarkoittaa, että alustatarjottimessa on irrallinen ruuvi, tarjottimen lisäosa tai –varuste. Kaikki lisälaitteet tulee kiristää riittävästi paikoilleen ennen laitteen käynnistystä.

Virhe	Syy	Ratkaisu
E1	RTD auki tai lämpötila yli 100°C inkubointilaitteelle	Käyttäjä ei voi korjata tätä virhettä. Irrota laite ja ota yhteyttä Ohaus-edustajaan korjauksen järjestämiseksi.
E2	RTD oikosulussa tai lämpötila alle 0°C inkubointilaitteelle	Käyttäjä ei voi korjata tätä virhettä. Irrota laite ja laite ja ota yhteyttä Ohaus-edustajaan korjauksen järjestämiseksi.
E3	Mekaaninen este Pysähtynyt moottori Ajohihna poikki	Paina valmiustilan painiketta poistaaksesi tämän virheen. Jos E3-virhe jatkuu, tai laite naputtaa tai hankaa, irrota laite ja ota yhteyttä Ohaus-edustajaan korjauksen järjestämiseksi E3-virheen sattuessa, kuten jos joku koskettaa alustatarjotinta laitteen ollessa käynnissä, laite siirtyy automaattisesti vaakatasossa olevaan "alku"-asetukseen ja käynnistyy uudelleen Jos tarjottimen alle on jäänyt este, joka voi aiheuttaa laitteen jatkuvan uudelleen käynnistymisen, laite yrittää mennä aloitustilaan ja käynnistyä uudelleen neljä (4) kertaa, pysähtyy sitten ja näyttää E3-virheilmoituksen. Virhe voidaan poistaa painamalla valmiustilan painiketta.
E4	Maksimikuorma ylitetty	Paina valmiustilan painiketta poistaaksesi tämän virheen. Varmista, että kuorma on maksimikuormamäärityksen sisällä ennen laitteen uudelleen käynnistystä. Jos ongelma jatkuu, irrota laite ja ota yhteyttä Ohaus-edustajaan korjauksen järjestämiseksi.



Használati utasítás

Rázó inkubátor – billentő, ISRK04HDG

Rázó inkubátor – hullámoztató, ISWV02HDG

EN - English	.....	1
FR - Français	.....	9
ES - Español	.....	18
IT - Italiano	.....	27
DE - Deutsch	.....	36
PT - Português	.....	45
NL - Nederlands	.....	54
NO - Norsk	.....	58
DA - Dansk	.....	62
SV - Svenska	.....	66
FI - Suomi	.....	70
HU - Magyar	.....	74
PL - Polski	.....	78
CZ - Czech	.....	82
KR - Korean	.....	86

## BIZTONSÁGI UTASÍTÁSOK

Kérjük, olvassa el a teljes használati útmutatót a rázógép/hullámmozgásos rotátor működtetése előtt.



**FIGYELEM! NE** használja a rázógépet/hullámmozgásos rotátort veszélyes környezetben, vagy olyan veszélyes anyagokkal, amelyek nem felelnek meg a készülék rendeltetésének. Továbbá a felhasználónak tisztában kell lennie azzal is, hogy a készülék biztonságosságát befolyásolhatja, a nem a gyártó által rendelkezésre bocsátott vagy az általa nem javasolt tartozékok használata, vagy ha az alkalmazás nem a gyártó előírásai szerint történik.

A legjobb teljesítmény és a maximális biztonság érdekében az egységet mindig vízszintes felületen működtesse.

Az egységet **NE** a platformtálcánál vagy a fedélnél fogva emelje.

**VIGYÁZAT!** Az áramütés elkerülése érdekében, teljesen szüntesse meg az egység energiaellátását, ehhez válassza le a tápkábelt az egységről vagy húzza ki a fali konnektorból. Karbantartási vagy szervizelési munkák végzése előtt válassza le a készüléket az elektromos hálózatról. Tisztításhoz az egységet **NE** merítse vízbe. **NE** működtesse az egységet, ha azon elektronikus vagy mechanikus sérülésekre utaló jelek láthatók.



**FIGYELEM!** (csak inkubátoregységekre vonatkozik) A „figyelem: forró” jelzőfény arra figyelmeztet, hogy a felső lap hőmérséklete 40°C felett van. Amikor a felső lap hőmérséklete eléri a kb. 40°C-ot, a jelzőfény bekapcsol és folyamatosan világít. A hevítés kikapcsolásakor a „figyelem: forró” jelzőfény egészen addig világít, amíg a felső lap hőmérséklete 40°C alá nem csökken.







Földelt – védővezető csatlakozó



Váltakozó áram

## SZABVÁNYOK ÉS SZABÁLYOZÁSOK

Megfelelés az alábbi szabványoknak és szabályozások jelzi a megfelelő jelet a terméken.

Jelölés	Szabványok és szabályozások
	OHAUS Corporation igazolja, hogy a SHRK, ISRK, ISWW sorozat rázógépek megfelelnek az irányelvek 2011/63/EU, 2014/30/EU, 2014/35/EU és a szabványok EN 50581, EN 61010-1, EN 61010-2-051, EN 61326-1. Az EU-megfelelőségi nyilatkozat teljes szövege elérhető a következő internetes címen: <a href="http://www.ohaus.com/ce">www.ohaus.com/ce</a> .
	Ez a termék megfelel a 2012/19/EU irányelv. Kérjük, hogy ezt a terméket a helyi előírásoknak megfelelően a kijelölt gyűjtőhelyen az elektromos és elektronikus berendezések. Az ártalmatlanításra vonatkozó utasításokat Európában, lásd <a href="http://www.ohaus.com/weee">www.ohaus.com/weee</a> .
	EN 61326-1
	CAN/CSA C22.2 61010-1, CAN/CSA C22.2 61010-2-051 UL 61010-1, UL 61010-2-051

globális közlemény

Figyelem: Ez egy A osztályú termék. Otthoni környezetben a termék okozhat rádiófrekvenciás interferenciát, amely esetben a felhasználónak meg kell tennie a megfelelő intézkedéseket.

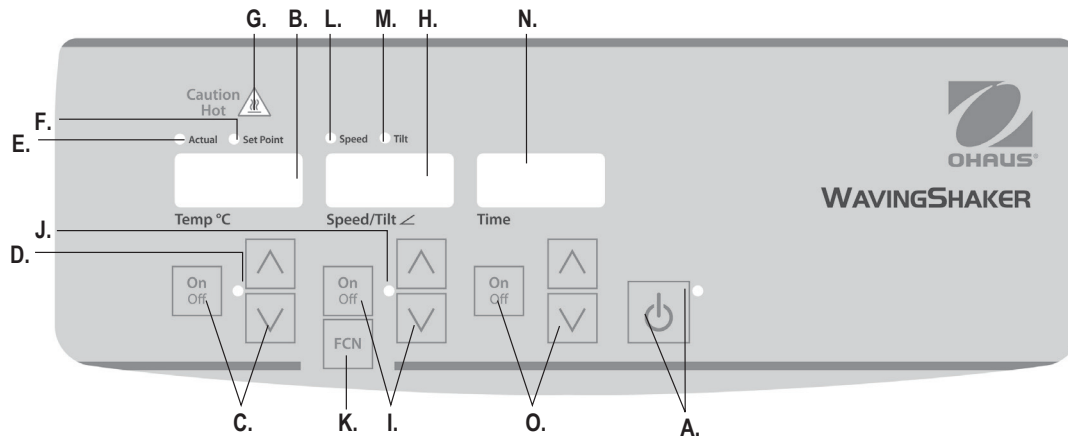
Kanada közlemény

Ez az A osztályú digitális berendezés megfelel a kanadai ICES-003 szabványnak.

FCC-nyilatkozat

Megjegyzés: Ez a berendezés a vizsgálata során köteles betartani az A osztályú digitális eszközökre 15. része szerint az FCC szabályok. Ezeket a határértékeket úgy tervezték, hogy megfelelő védelmet nyújtsanak a káros interferencia ellen, ha a berendezést üzemeltetni kereskedelmi környezetben. Ez a berendezés generál, használ és sugározhat rádió frekvenciás energiát, és ha nincs telepítve, és megfelelően használják fel a használati utasítás, káros interferenciát okozhat a rádió kommunikációban. A berendezés működtetése lakott területen valószínűleg káros interferenciát okoz, amely esetben a felhasználónak kell elhárítani az interferenciát a saját költségén.

Változtatások vagy módosítások által nem kifejezetten jóváhagyott Ohaus Corporation érvénytelenítheti a felhasználó jogosultságát a berendezés működtetésére.



## INKUBÁTOROS RÁZÓGÉP/HULLÁMZOZGÁSOS ROTÁTOR VEZÉRLŐPANELE

Az inkubátoros rázógépet/hullámmozgásos rotátort előlapján található az egység működtetéséhez szükséges összes vezérlő és kijelző.

**A. Standby (készület) gomb/készület jelzőfény:** A készület jelzőfény világítani kezd, ha az egység csatlakozója be van dugva. Az egység ekkor készületi üzemmódban van. A sebesség/döntés és idő funkciók bekapcsolásához nyomja meg a standby (készület) gombot. A standby (készület) jelzőfény kialszik és a hőmérséklet, sebesség/döntés és az idő kijelzők világítani kezdenek. Ha újra megnyomja a standby gombot, a készülék ismét készületi üzemmódba kerül.

**B. Hőmérséklet kijelző:** Kijelzi a tényleges/ beállított hőmérsékleteket, a tényleges/beállított értékek jelzőfényeivel együtt. **C. Fel/le nyílak** a megadott értékek beállításához. A be/ki nyomógomb beindítja/ leállítja a fűtési funkciót. **D. A fűtés jelzőfény** kigyullad, ha az egység fűtést végez.

**E. Aktuális hőmérséklet jelzőfény:** Kigyullad, ha a megjelenített hőmérséklet a kamra aktuális hőmérsékletét jelzi ki.

**F. Beállított érték jelzőfény:** Kigyullad, ha a beállított hőmérsékleti érték kerül kijelzésre.

**G. Forró kamrára figyelmeztető fény:** Kigyullad, ha a kamra hőmérséklete 40°C (104°F) fölött van.

**H. Sebesség/döntés kijelző:** Kijelzi az egység sebességét és döntésszögét. **I. Fel/le nyílak** a megadott értékek beállításához. A be/ki nyomógomb elindítja/eállítja a rázó/hullámmozgásos rotáló funkciót **J. A sebesség/döntés jelzőfény** kigyullad, ha az egység rázást/hullámmozgásos rotálást végez.

**K. Funkciógomb:** A gomb megnyomásával válassza ki a beállítandó funkciót: sebesség vagy döntés.

**L. Sebesség jelzőfény:** Kigyullad, ha a sebesség kerül kijelzésre.

**M. Döntés jelzőfény:** Kigyullad, ha a döntésszög kerül kijelzésre.

**N. Idő kijelző:** Kijelzi az eltelt időt (folyamatos üzemmód) vagy a még hátralévő időt (időzítési üzemmód). **O. Fel/le nyílak** a megadott értékek beállításához. Be/ki nyomógomb elindítja/ leállítja az időzítő funkciót. A kijelzési tartomány 0 és 9999 másodperc között van, egy (1) másodperces növekménnyel. A kijelző percek és másodpercek jelenít meg, amíg az időzítő el nem éri a 99 perc és 59 másodperc (99:59) pontot, ezt követően a kijelző automatikusan percek fog megjeleníteni a 9999 értékig.

## HIBAELHÁRÍTÁS

Működtetés közben bármely zörgő vagy ketyegő hang kilazult csavart jelezhet a platform tálcán, a tálca csatlakozón vagy a tartozékon. Az egység elindítása előtt minden tartozékot megfelelő módon kell rögzíteni.

Hiba	Hiba oka	Megoldás
E1	RTD nyitva vagy a hőmérséklet 100°C fölé van az inkubátoros egység esetében	A végfelhasználó nem tudja elhárítani ezt a hibát. Húzza ki az egységet a csatlakozóból és lépjen kapcsolatba a Ohaus képviselőjével a javítás ügyében.
E2	RTD rövidre zárva vagy a hőmérséklet 0 alatt van az inkubátoros egység esetében	A végfelhasználó nem tudja elhárítani ezt a hibát. Húzza ki az egységet a csatlakozóból és lépjen kapcsolatba a Ohaus képviselőjével a javítás ügyében.
E3	Mechanikai akadály Nem működik a motor Elszakadt az ékszíj	Nyomja meg a készenlét gombot a hiba törléséhez. Ha az E3-as probléma továbbra is fennáll, és csiszoláshoz, kopogáshoz vagy súrlódáshoz hasonló zajokat is hall, húzza ki az egységet a csatlakozóból és lépjen kapcsolatba a Ohaus képviselőjével a javítás ügyében.  Hibásan jelentkező E3-as hiba esetén, például ha valaki az egység működése közben véletlenül megérinti a platform-tálcát, az egység automatikusan visszatér a vízszintes „home” (kiindulási) helyzetéhez és újraindul.  Ha a tálca alatt akadály maradt, amely miatt az egység állandóan újraindul, akkor az egység négy (4) alkalommal tesz kísérletet a „home” (kiindulási) helyzethez való visszatérésre majd a leállásra és az E3-as hiba kijelzésére. Ezt a hibát a felhasználó a készenlét gomb megnyomásával
E4	Maximális terhelés túllépve	Nyomja meg a készenlét gombot a hiba törléséhez. Az egység újraindítása előtt ellenőrizze, hogy a terhelés a maximális terhelési előíráson belül van-e. Ha a probléma továbbra is fennáll, húzza ki az egységet a csatlakozóból és lépjen kapcsolatba a Ohaus képviselőjével a javítás ügyében.



Instrukcja obsługi

Wytrząsarka kołyskowa z inkubatorem, ISRK04HDG

Wytrząsarka falująca z inkubatorem, ISWV02HDG

EN - English	.....	1
FR - Français	.....	9
ES - Español	.....	18
IT - Italiano	.....	27
DE - Deutsch	.....	36
PT - Português	.....	45
NL - Nederlands	.....	54
NO - Norsk	.....	58
DA - Dansk	.....	62
SV - Svenska	.....	66
FI - Suomi	.....	70
HU - Magyar	.....	74
PL - Polski	.....	78
CZ - Czech	.....	82
KR - Korean	.....	86



## ZALECENIA BEZPIECZEŃSTWA

Przed przystąpieniem do obsługi laboratoryjnych wstrząsarek kołyskowych/wahliwych prosimy uważnie przeczytać całą instrukcję obsługi.



**OSTRZEŻENIE!** Laboratoryjnych wstrząsarek kołyskowych/wahliwych **NIE WOLNO** stosować w atmosferze niebezpiecznej ani nie wolno w urządzeniach tych stosować materiałów niebezpiecznych, do wstrząsania których nie są one przeznaczone. Należy także mieć świadomość faktu, że ochrona zapewniana przez urządzenie może ulec pogorszeniu w przypadku, jeżeli urządzenie to będzie stosowane wraz z akcesoriami, które nie są dostarczane lub zalecane do stosowania przez producenta urządzenia lub jeżeli urządzenie to będzie stosowane w sposób nie wyspecyfikowany przez producenta.

W celu zapewnienia jak najlepszej jakości pracy oraz najwyższego poziomu bezpieczeństwa, urządzenie to należy w czasie użytkowania zawsze ustawiać na wypoziomowanej powierzchni.

**NIE** wolno podnosić urządzenia za platformę tacki lub za pokrywę.

**OSTROŻNIE!** W celu uniknięcia porażenia elektrycznego należy całkowicie odciąć napięcie zasilania poprzez odłączenie elektrycznego kabla zasilającego od urządzenia lub poprzez wyjęcie wtyczki z gniazdka ściennego. Przed przystąpieniem do wykonywania czynności konserwacyjnych lub serwisowych należy wpierr odłączyć urządzenie od zasilania elektrycznego. Urządzenia **NIE WOLNO** zanurzać w celu czyszczenia w żadnej cieczy. Jeżeli urządzenie będzie wykazywać jakiegokolwiek oznaki uszkodzenia mechanicznego lub elektrycznego **NIE WOLNO** dalej z niego korzystać.



**UWAGA!** (Wyłącznie jednostki inkubujące) Kontrolka ostrzegawcza informuje o tym, że temperatura płyty górnej przekroczyła 40°C. Kontrolka zaświeci się na stałe, gdy temperatura płyty górnej osiągnie około 40°C. Po wyłączeniu ciepła, kontrolka ostrzegawcza pozostanie włączona do momentu, aż temperatura płyty górnej spadnie poniżej 40°C.







Zacisk uziemiający – zacisk przewodu ochronnego



Prąd zmienny

## NORMY I PRZEPISY

Wymienione niżej oznaczenia wskazują na zgodność urządzenia z wymienionymi normami i przepisy.

Znak	Normy i przepisy
	OHAUS Corporation deklaruje, że Seria SHRK, ISRK, ISWW wstrząsarki zgodne z dyrektywami 2011/63/UE, 2014/30/UE, 2014/35/UE oraz normy EN 50581, EN 61010-1, EN 61010-2-051, EN 61326-1. Pełny tekst deklaracji zgodności UE jest dostępny pod następującym adresem internetowym: <a href="http://www.ohaus.com/ce">www.ohaus.com/ce</a> .
	Ten produkt spełnia wymagania dyrektywy 2012/19/UE. Prosimy o przekazywanie użytego sprzętu zgodnie z lokalnymi przepisami do punktów zbierających zużyty sprzęt elektryczny i elektroniczny. Informacje dotyczące utylizacji zużytego sprzętu elektrycznego i elektronicznego w Europie znajdują się na stronie internetowej <a href="http://www.ohaus.com/weee">www.ohaus.com/weee</a> .
	EN 61326-1
	CAN/CSA C22.2 61010-1, CAN/CSA C22.2 61010-2-051 UL 61010-1, UL 61010-2-051

Globalny Wskazówki

Ostrzeżenie: Jest to produkt klasy A. W środowisku domowym produkt ten może powodować zakłócenia radiowe, w którym to przypadku użytkownik może być zmuszony do podjęcia odpowiednich działań.

kanada Wskazówki

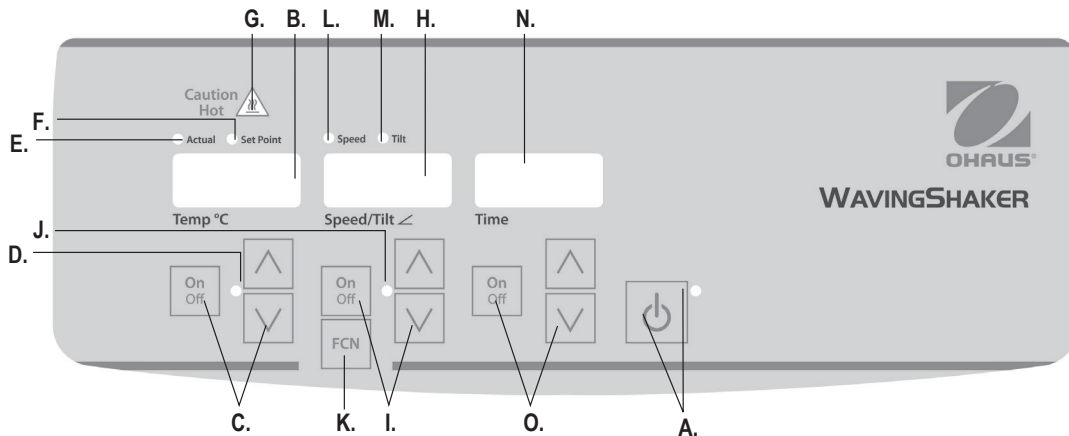
To urządzenie cyfrowe klasy A jest zgodne z kanadyjską normą ICES-003.

FCC

**UWAGA:** To urządzenie zostało przetestowane i uznane za zgodne z ograniczeniami dla urządzeń cyfrowych klasy A, zgodnie z częścią 15 przepisów FCC. Ograniczenia te mają na celu zapewnienie odpowiedniej ochrony przed szkodliwymi zakłóceniami, gdy sprzęt jest eksploatowany w środowisku komercyjnym. Urządzenie to generuje, wykorzystuje i może emitować energię o częstotliwości radiowej, a jeśli nie jest zainstalowane i używane zgodnie z instrukcją, może powodować zakłócenia w łączności radiowej. Działanie tego sprzętu w obszarze mieszkalnym może spowodować szkodliwe zakłócenia, w którym to przypadku użytkownik będzie zobowiązany do skorygowania zakłóceń na własny koszt.

Zmiany lub modyfikacje, które nie zostały wyraźnie zatwierdzone przez Ohaus Corporation mogą unieważnić prawo użytkownika do korzystania z urządzenia.





## PULPIT STERUJĄCY INKUBACYJNEJ WYTRZĄSARKI KOŁYSKOWEJ/WAHLIWEJ

Panel przedni wytrząsarki kołyskowej/wahliwej zawiera wszystkie funkcje regulacyjne oraz wyświetlacz niezbędny do obsługi urządzenia.

- A. Przycisk czuwania/kontrolka czuwania:** Po podłączeniu wtyczki urządzenia do sieci zapala się kontrolka czuwania. Urządzenie w tym momencie znajduje się w trybie czuwania. W celu uaktywnienia funkcji regulacji temperatury, prędkości i czasu należy nacisnąć przycisk czuwania (standby). W tym momencie zgaśnięcie kontrolki czuwania i zapali się podświetlenie wyświetlacza temperatury, prędkości i czasu. Aby przywrócić ustawienie urządzenie w stan czuwania, należy przycisk czuwania nacisnąć ponownie.
- B. Wyświetlacz temperatury:** Wyświetla temperaturę rzeczywistą/zadaną w połączeniu ze wskazaniami kontrolki temperatury rzeczywistej/zadanej. C. Strzałki w górę / w dół umożliwiają nastawę wartości zadanych. Przycisk on/off (wł./wyt.) uruchomienia/zatrzymania funkcji grzejnej. D. W czasie, gdy urządzenie wykonuje ruch kołyszający/wahliwy, kontrolka obrotów/przechyłu jest zapalona.
- E. Kontrolka temperatury rzeczywistej:** Zapala się w momencie, gdy temperatura wyświetlana jest temperaturą rzeczywistą powietrza w komorze.
- F. Kontrolka temperatury zadanej:** Zapala się w momencie, gdy wyświetlana jest temperatura zadana.

- G. Kontrolka ostrzegająca przed wysoką temperaturą:** Zapalenie się kontrolki ostrzega przed wysoką temperaturą powietrza w komorze, przekraczającą 40°C (104°F).
- H. Wyświetlacz obrotów:** Wyświetla obroty robocze urządzenia. I. Strzałki w górę / w dół umożliwiają regulację wartości zadanych. Przycisk on/off (wł./wyt.) uruchamia/zatrzymuje funkcję kołysania/wahań. J. W czasie, gdy urządzenie wykonuje ruch kołyszający/wahliwy, zapalona jest kontrolka obrotów/przechyłu.
- K. Przycisk funkcjny:** Należy nacisnąć w celu wyboru żądanej funkcji: obrotów lub przechylenia.
- L. Kontrolka obrotów:** Zapala się w momencie, gdy wyświetlana są obroty.
- M. Kontrolka przechyłu:** Zapala się w momencie, gdy wyświetlany jest kąt przechyłu.
- N. Wyświetlacz czasu:** Wyświetla czas sumacyjny (w trybie pracy ciągłej) lub wskazanie informujące ile czasu pozostało (tryb sterowania czasowego). O. Strzałki w górę / w dół umożliwiają regulację wartości zadanych. Przycisk on/off (wł./wyt.) uruchamia/zatrzymuje funkcję sterowania czasowego. Zakres wyświetlanych wskazań waha się od 0 do 9999 minut w jednosekundowych (1 s) przyrostach. Wyświetlacz wskazuje minuty i sekundy do momentu, aż sterownik czasowy osiągnie wartość 99 minut i 59 sekund (99:59), następnie przechodzi on w sposób automatyczny na wyświetlanie pełnych minut, aż do osiągnięcia stanu 9999.

## ROZWIĄZYWANIE PROBLEMÓW

Wszelkie pojawiające się w czasie pracy urządzenia odgłosy uderzeń lub grzechotania mogą świadczyć o obecności poluzowanych śrub tacki platformy, zamocowania tacki lub akcesoriów. Przed uruchomieniem urządzenia wszystkie akcesoria powinny być odpowiednio mocno umocowane na swoich miejscach.

Usterka	Przyczyna usterki	Sposób rozwiązania problemu
E1	Przerwa w obwodzie czujnika RTD lub temperatura urządzenia inkubacyjnego powyżej 100°C.	Ta usterka nie może zostać usunięta przez użytkownika końcowego. W takim przypadku należy wyjąć wtyczkę z gniazdka sieciowego i w celu dokonania naprawy prosimy skontaktować się z lokalnym przedstawicielem firmy Ohaus.
E2	Zwarcie w obwodzie czujnika RTD lub temperatura urządzenia inkubacyjnego poniżej 0°C.	Ta usterka nie może zostać usunięta przez użytkownika końcowego. W takim przypadku należy wyjąć wtyczkę z gniazdka sieciowego i w celu dokonania naprawy prosimy skontaktować się z lokalnym przedstawicielem firmy Ohaus.
E3	Znaczne opory mechaniczne Ustanie pracy silnika Zerwany pasek napędowy	W celu wykasowania kodu usterki należy nacisnąć przycisk czuwania (standby). Jeżeli kod usterki E3 będzie się utrzymywał nadal, przy czym urządzenie będzie emitować zgrzyty, uderzenia lub dźwięki ocierania, wówczas należy wyjąć wtyczkę z gniazdka sieciowego i w celu dokonania naprawy skontaktować się z lokalnym przedstawicielem firmy Ohaus. W przypadku, gdy kod usterki E3 zostanie wygenerowany przypadkowo, np. przez niezamierzone dotknięcie platformy tacki w czasie pracy urządzenia, urządzenie w sposób automatyczny powróci do poziomej pozycji „początkowej” i nastąpi restart. W przypadku obecności ciała obcego pod tacką, które powodować będzie ciągłe restartowanie urządzenia, wytrząsarka (4) czterokrotnie spróbuje powrócić w sposób automatyczny do pozycji początkowej i zrestartować się, a następnie wyłączy się, wyświetlając kod usterki E3. Użytkownik może wyzerować ten kod usterki naciskając przycisk czuwania (stanby).
E4	Przekroczenie obciążenia maksymalnego.	W celu wykasowania kodu usterki należy nacisnąć przycisk czuwania (standby). Przed zrestartowaniem urządzenia należy upewnić się, że obciążenie mieści się w określonych w specyfikacji, granicach dopuszczalnych obciążeń maksymalnych. W takim przypadku należy wyjąć wtyczkę z gniazdka sieciowego i w celu dokonania naprawy skontaktować się z lokalnym przedstawicielem firmy Ohaus.



Návod k obsluze

Inkubační kolébací třepačka, ISRK04HDG

Inkubační vlnící se třepačka, ISWV02HDG

EN - English	.....	1
FR - Français	.....	9
ES - Español	.....	18
IT - Italiano	.....	27
DE - Deutsch	.....	36
PT - Português	.....	45
NL - Nederlands	.....	54
NO - Norsk	.....	58
DA - Dansk	.....	62
SV - Svenska	.....	66
FI - Suomi	.....	70
HU - Magyar	.....	74
PL - Polski	.....	78
CZ - Czech	.....	82
KR - Korean	.....	86



## BEZPEČNOSTNÍ POKYNY

Před použitím kolébací/vlnicí se třepačky Ohaus si přečtěte celý návod k obsluze, prosím.



**VAROVÁNÍ! NEPOUŽÍVEJTE** inkubační mini třepačku/třepačku s mikro deskou Ohaus v nebezpečné atmosféře nebo s nebezpečnými materiály, pro které nebylo zařízení navrženo. Uživatel si musí být rovněž vědom toho, že ochrana poskytovaná zařízením může být narušena v případě použití s příslušenstvím nedodaným nebo nedoporučeným výrobcem nebo v případě použití způsobem, který nebyl výrobcem specifikován.

Zařízení vždy uchopte za kryt, ne za zásobník nebo víko. Zařízení vždy používejte na rovném povrchu, abyste zajistili co nejlepší výkonnost a maximální bezpečnost.



**UPOZORNĚNÍ!** Abyste předešli úrazu elektrickým proudem, napájení zařízení přerušete odpojením napájecího kabelu ze zástrčky. Zařízení od napájení odpojte ještě, než provedete údržbu a servis.

Rozlitou kapalinu je třeba okamžitě odstranit. Zařízení při čištění NEPONORUJTE do vody.

Zařízení NEPOUŽÍVEJTE, pokud prokazuje známky elektrického nebo mechanického poškození.



**UPOZORNĚNÍ! (Pouze inkubační jednotky)** Ukazatel upozorňuje na to, že teplota plotýnky je nad 40°C. Kontrolka se rozsvítí a zůstane svítit, jakmile teplota dosáhne zhruba 40°C. Jakmile je ohřev vypnutý, kontrola zůstane rozsvícená, dokud teplota neklesne pod 40°C.







Uzemnění – Ochranný terminál vodiče



Střídavý proud

## STANDARDSY A SMĚRNICE

Soulad s následujícími normami a směrnicemi je označen odpovídající značkou na produktu.

Značka	Standardsy a směrnice
	OHAUS Corporation prohlašuje, že série třepaček SHRK, ISRK, ISWV splňuje směrnice 2011/63/EU, 2014/30/EU, 2014/35/EU a normy EN 50581, EN 61010-1, EN 61010-2-051, EN 61326-1. Úplný text směrnice EU o souladu je k dispozici na následující adrese: <a href="http://www.ohaus.com/ce">www.ohaus.com/ce</a> .
	Tento produkt je v souladu se zněním směrnice 2012/19/EU. Tento produkt zlikvidujte v souladu s místními předpisy na sběrném místě určeném pro sběr elektrického a elektronického zařízení. Pokyny k likvidaci v Evropě naleznete na <a href="http://www.ohaus.com/weee">www.ohaus.com/weee</a> .
	EN 61326-1
	CAN/CSA C22.2 61010-1, CAN/CSA C22.2 61010-2-051 UL 61010-1, UL 61010-2-051

Globální oznámení

Varování: Toto je výrobek třídy A. V domácím prostředí může tento produkt způsobovat rušení rádiových frekvencí, a v takovém případě je třeba použít odpovídající opatření.

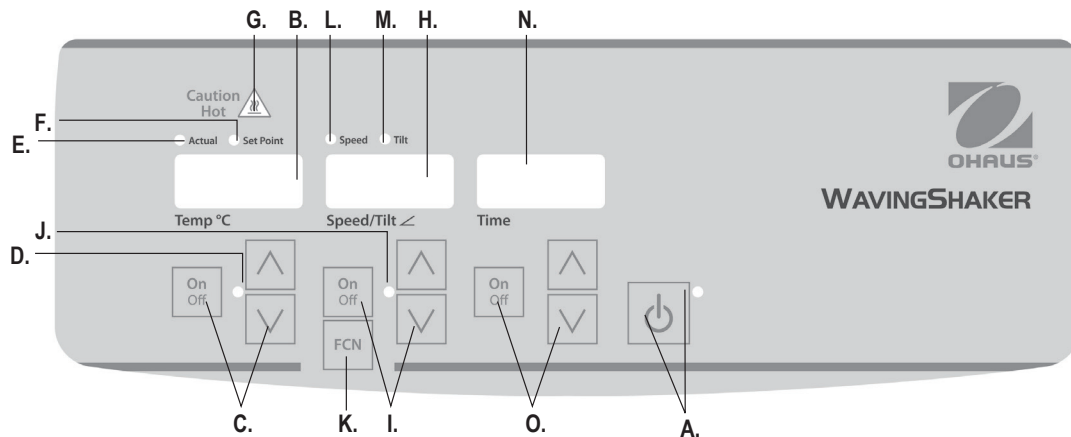
Kanada – upozornění

Tento digitální přístroj třídy A je ve shodě s kanadskou vyhláškou ICES-003.

Oznámení FCC

POZNÁMKA: Toto zařízení bylo testováno a vyhovuje limitům pro digitální zařízení třídy A, podle části 15 Pravidel FCC. Tato omezení poskytují přiměřenou ochranu před škodlivým rušením, je-li systém používán v komerčním prostředí. Tento systém vytváří, využívá a může vyzařovat energie na rádiových frekvencích a není-li nainstalováno a používáno v souladu s pokyny, může způsobit škodlivé rušení rádiových komunikací. Provoz tohoto zařízení v obytných oblastech může způsobit škodlivé interference, v takovém případě bude uživatel nucen opravit interference na své vlastní náklady.

Změny nebo úpravy tohoto zařízení, které nebyly výslovně schváleny stranou odpovídající za soulad, mohou vést ke ztrátě oprávnění uživatele k provozování zařízení.



## INKUBAČNÍ/KYVADLOVÁ TŘEPAČKA – OVLÁDACÍ PANEĽ

Přední panel třepačky obsahuje ovládací prvky a displeje nutné k provozu zařízení.

- A. Tlačítko pohotovostního režimu/kontrolka pohotovostního režimu:** Kontrolka pohotovostního režimu se rozsvítí, jakmile dojde k zapojení zařízení. Zařízení bude v pohotovostním režimu. Stisknutím tlačítka pohotovostního režimu spustíte funkce teplota, rychlost a čas. Kontrolka pohotovostního režimu zhasne a rozsvítí se displej teploty, rychlosti a času. Tlačítko pohotovostního režimu stiskněte znovu a zařízení se znovu spustí v pohotovostním režimu.
- B. Displej teploty:** Kontrolky aktuální/nastavené teploty zobrazí aktuální/nastavenou teplotu. C. Tlačítka nahoru/dolů k nastavení hodnoty. Tlačítko Zap./Vyp. spouští/zastavuje funkci ohřevu. D. Kontrolka ukazatele ohřevu se rozsvítí, pokud se zařízení ohřívá.
- E. Aktuální kontrolka:** Rozsvítí se, když zobrazená teplota dosáhne skutečné teploty vzduchu v komoře.
- F. Kontrolka nastavené hodnoty:** Rozsvítí se, když se zobrazí nastavená teplota.
- G. Kontrolka upozornění na vysokou teplotu:** Rozsvítí se, když teplota vzduchu v komoře dosáhne nad 40 °C (104 °F).

- H. Displej – Rychlost/Sklon:** Zobrazí rychlost a úhel sklonu zařízení. I. Tlačítka nahoru/dolů k nastavení hodnoty. Tlačítko Zap./Vyp. spouští/zastavuje funkci kývání/vlnění. J. Kontrolka ukazatele rychlosti/úhlu sklonu se rozsvítí, pokud se zařízení třepe/kýve.
- K. Funkční tlačítko:** Stisknutím vyberte funkci, kterou chcete nastavit: rychlost nebo sklon.
- L. Kontrolka ukazatele rychlosti:** Rozsvítí se, když se zobrazí rychlost.
- M. Kontrolka sklonu:** Rozsvítí se, když se zobrazí úhel sklonu.
- N. Displej – Čas:** Zobrazí celkový čas (průběžný režim) nebo to, kolik času zbývá (načasovaný režim). O. Tlačítka nahoru/dolů k nastavení hodnoty. Tlačítko Zap./Vyp. spouští/zastavuje funkci časovače. Rozsah displeje je 0 až 9999 minut, v krocích po jedné (1) sekundě. Na displeji se zobrazí minuty a sekundy, dokud časovač nedosáhne 99 minut a 59 sekund (99:59), potom se na displeji zobrazí pouze minuty, až do 9999 minut.

## ODSTRAŇOVÁNÍ PROBLÉMŮ

Během provozu může cvakání naznačovat uvolněný šrouby na základně, v zásobníku nebo příslušenství. Než zařízení spustíte, je třeba, abyste veškeré příslušenství dostatečně utáhli.

Chyba	Příčina závady	Oprava
E1	RTD otevřený nebo teplota inkubační jednotky nad 100 °C (212 °F)	Opravu této závady nemůže provést koncový uživatel. Zařízení vypněte a o opravu požádejte zástupce Ohaus.
E2	Zkrat RTD nebo teplota inkubační jednotky pod 0 °C (32 °F)	Opravu této závady nemůže provést koncový uživatel. Zařízení vypněte a o opravu požádejte zástupce Ohaus.
E3	Mechanická překážka Zastavený motor Rozbitý hnací pás	<p>Tuto chybu vymažte stisknutím tlačítka pohotovostního režimu. Pokud chyba E03 přetrvává, a ozývají se podivné zvuky, zařízení odpojte a kontaktujte zástupce Ohaus a požádejte ho o opravu.</p> <p>V případě chyby E03, kdy se někdo omylem dotkl platformy v době spuštění zařízení, zařízení automaticky přejde do horizontální „domácí“ polohy a restartuje se.</p> <p>V případě překážek pod zásobníkem, které způsobují průběžný restart zařízení, se zařízení pokusí provést restart čtyřikrát (4x), potom přestane fungovat a zobrazí chybu E03. Tuto chybu lze vymazat stisknutím tlačítka pohotovostního režimu.</p>
E4	Bylo překročeno maximální zatížení.	Tuto chybu vymažte stisknutím tlačítka pohotovostního režimu. Než zařízení restartujete, ujistěte se, že zatížení je v rozmezí maximální kapacity zatížení. Pokud problém přetrvává, zařízení odpojte a kontaktujte zástupce společnosti Ohaus a domluvte se na opravě.



사용설명서

인큐베이터 셰이커 락커, ISRK04HDG

인큐베이터 셰이커 웨이브, ISWV02HDG

EN - English	.....	1
FR - Français	.....	9
ES - Español	.....	18
IT - Italiano	.....	27
DE - Deutsch	.....	36
PT - Português	.....	45
NL - Nederlands	.....	54
NO - Norsk	.....	58
DA - Dansk	.....	62
SV - Svenska	.....	66
FI - Suomi	.....	70
HU - Magyar	.....	74
PL - Polski	.....	78
CZ - Czech	.....	82
KR - Korean	.....	86



## 목차

내용물	87
서비스 정보	87
설치법	88
관리 및 서비스	88
사용 목적	88
환경 조건	88
안전 지시서	89
기준 및 규정	89
인큐베이터 컨트롤 패널	90
인큐베이터 락커 사양	91
인큐베이터 웨이브 사양	91
인큐베이터 락커/웨이브 작동법	92-93
문제해결	94

## 내용물

인큐베이터 락커 또는 인큐베이터 웨이브  
전원 코드  
사용 설명서

## 서비스 정보

I문제 해결 섹션에서 해결되지 않거나 설명되지 않은 문제는 공인된 오후우스 서비스 담당자에게 문의하십시오. 미국에서 서비스 또는 기술 지원을 받으려면 오전 8시부터 오후 5시까지 수신자 부담 번호 1-800-672-7722 및 내선 번호 7852로 전화하십시오. 오후우스S 제품 서비스 전문가가 지원을 제공할 것입니다. 미국 이외의 지역에서는 당사의 웹 사이트를 ([www.ohaus.com](http://www.ohaus.com)) 방문하여 가장 가까운 오후우스 사무소를 찾으십시오.

일련번호: \_\_\_\_\_

구매일: \_\_\_\_\_

공급자: \_\_\_\_\_



## 설치 법

오하우스 락커/웨이브를 받은 즉시 배송 중에 파손된 부분이 있는지를 확인하십시오. 배송 중에 일어난 물품 파손은 포장을 풀 때 확인하는 것이 중요합니다. 만일 물건이 훼손되었다면 즉시 배송업체에 알려야 합니다.

포장을 푼 후 락커/웨이브를 폭발성 있는 증기에서 멀리 떨어진 평평한 벤치 또는 테이블에 놓으십시오. 기계가 놓여있는 표면은 기계에 의해 일반적으로 발생하는 열을 반드시 견딜 수 있어야 하고 기계를 수직 표면에서 육(6)인치 떨어진 곳에 놓아야 합니다. 기계는 언제나 튼튼한 작업대에 놓아야 합니다.

락커/웨이브는 전원코드가 함께 제공 되는데 이는 먼저 기계의 뒤에 있는 IEC 커넥터에 연결한 후 올바르게 접지된 전원 콘센트에 꽂아야 합니다. 230V 기계는 230 볼트, 50/60Hz 소스에 연결됩니다.

## 관리 및 서비스

락커/웨이브는 오랫동안 고장이 없는 신뢰할 수 있는 서비스를 위해 제작되었습니다. 윤활유 주유 또는 기타 기술적인 사용자 유지 보수가 필요하지 않습니다. 하지만 세(3)달에 한 번씩은 다음을 행하십시오:

- 기계의 전원코드를 분리하십시오.
- 베이스 또는 트레이에 쌓인 이물질 제거하십시오.
- 모든 접근 가능한 부분들이 제대로 조여져 있는지 확인하십시오.

이 기계는 모든 일반적인 전기기계에 요구되는 정도의 주의를 요합니다. 기계가 젖거나 불필요한 연기에 노출되지 않도록 하십시오. 액체를 쏟았을 경우 바로 닦아내십시오. 플라스틱에 해롭거나 연마성 또는 가연성의 세제나 용액을 정면 패널 또는 뚜껑에 사용하지 마십시오. 기계를 청소할 시에는 전원이 연결되어 있지 않음을 항상 확인하십시오. 기계 서비스가 필요할 시에는 오하우스 담당자에게 연락하십시오.

## 사용 목적

본 락커 및 웨이버는 일반 실험실에서의 사용을 위한 것입니다.

## 환경조건-아날로그

작동조건: 실내에서만 사용하십시오.

온도:	5 에서 40°C (41 에서 104°F)
습도:	상대습도80%, 비응축식
고도:	해발 0 에서 6,562 ft (2000 M)

비작동시 보관:

온도:	-20 에서65°C (-4 에서 149°F)
습도:	최고 상대습도80%, 비응축식

IEC 664에 따라 설치 범주II 및 오염도 2등급.

## 안전 지시서

오하우스 락커/웨이버를 작동하기 전에 사용 설명서 전체를 읽으십시오.



주의! 오하우스 인큐베이터 미니/마이크로 플레이트 세이커를 위험한 환경에서 사용하거나 기계가 사용하도록 설계되지 않은 위험한 물질에 사용을 금하십시오. 또한, 사용자는 기계를 제조자에 의해 공급되지 않은 부품 또는 제조자가 권하지 않는 부품과 함께 사용하면 기계에 제공되는 보호 장치가 제대로 작동하지 않을 수 있음을 인지해야 합니다.

기계는 항상 트레이 또는 뚜껑이 아닌 하우징으로 들어 올려야 합니다. 최고 성능 및 최고 안전을 위해서는 기계를 언제나 평평한 표면에 작동해야 합니다.



경고! 전기 쇼크를 방지하기 위해서는 전기 콘센트에서 코드를 빼거나 기계에 연결된 전기코드를 분리해 기계에 공급되는 전력을 완전히 끊으십시오. 관리 또는 서비스 이전에 기계의 전력공급을 차단하십시오.

액체를 흘렸을 경우 즉시 닦아내십시오. 기계를 닦기 위해 물에 담그지 마십시오. 전기 또는 기계적인 훼손이 있을 경우 기계를 작동하지 마십시오.



경고! (인큐베이터 기계에만 해당됨) 고온 경고 지시등은 상부 판의 온도가 40°C 이상임을 알리는 것입니다. 상부 판의 온도가 약 40°C에 이를 때 등이 켜지고 그 상태가 유지됩니다. 가열 기능이 꺼졌을 때는 상부 판의 온도가 40°C 이하로 떨어질 때까지 고온 지시등이 켜진 상태를 유지합니다.







접지- 보호 컨택터 단자



교류

## 기준 및 규정

다음의 표준 및 규정에 대한 준수는 제품의 해당 마크로 표시됩니다.

기호	기준 및 규정
	오하우스 코퍼레이션은 SHRK, ISRK, ISWV 시리즈의 세이커가 지침 2011/63/EU, 2014/30/EU, 2014/35/EU 및 기준 EN 50581, EN 61010-1, EN 61010-2-051, EN 61326-1을 따르고 있음을 선언합니다. 유럽 자기적합선언의 전체 내용은 다음의 인터넷주소에서 확인할 수 있습니다: <a href="http://www.ohaus.com/ce">www.ohaus.com/ce</a> .
	본 제품은 지침 2012/19/EU 을 따릅니다. 본 제품을 지역 규정에 따라 특정 전기 또는 전자기계 수집소에 폐기하십시오. 유럽 내에서의 폐기 지침은 <a href="http://www.ohaus.com/weee">www.ohaus.com/weee</a> 을 참고하십시오.
	EN 61326-1
	CAN/CSA C22.2 61010-1, CAN/CSA C22.2 61010-2-051 UL 61010-1, UL 61010-2-051

전세계 공지 사항

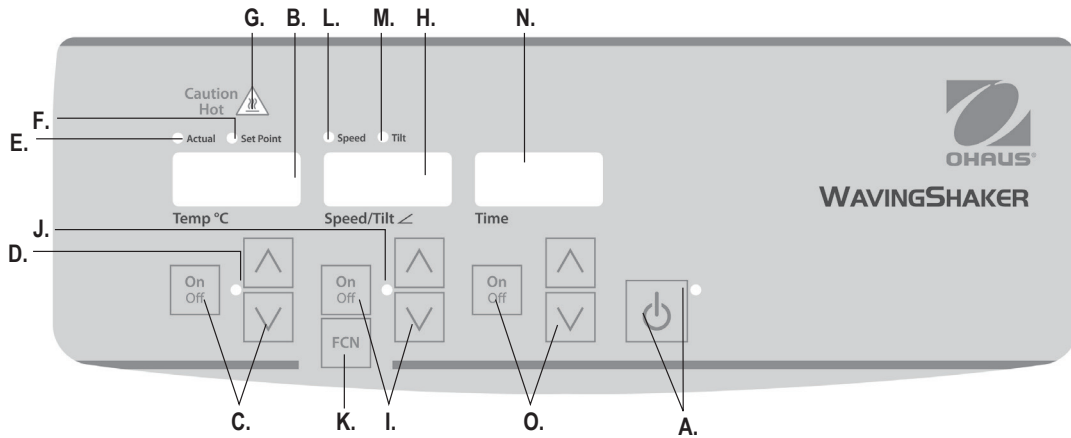
경고: 본 제품은 A등급 제품입니다. 주거환경에서 본 제품은 무선 간섭을 일으킬 수 있으므로 사용자는 적절한 조치를 취해야 합니다.

캐나다 공지 사항

본 A등급 디지털 기구는 캐나다 ICES-003에 따릅니다.

FCC 공지 사항

유의: 이 장치는 테스트를 통해, FCC 규정 제 15 조에 의거, A 등급 디지털 장치에 대한 제한을 준수하는 것으로 판명되었습니다. 이 제한은 상업적 환경에서 장치를 작동 할 때 유해한 간섭으로부터 합리적인 보호를 제공하는 것을 목적으로 합니다. 이 장치는 무선 주파수 에너지를 생성, 사용 및 방출 할 수 있으며 사용 설명서에 따라 설치 및 사용하지 않을 경우 무선 통신에 유해한 간섭을 유발할 수 있습니다. 주거 지역에서 이 장치를 작동하면 유해한 간섭이 발생할 가능성이 있으며, 이 경우 사용자는 자신의 부담으로 간섭을 해결해야 합니다. 오하우스가 명시적으로 승인하지 않은 변경이나 개조 시, 사용자의 장치 운전 권한이 무효화될 수 있습니다.



## 인큐베이터 락커/웨이브 컨트롤 패널

인큐베이터 락커/웨이브의 정면 패널에는 기계를 작동하기 위한 모든 컨트롤 및 디스플레이가 있습니다.

- A. 대기 버튼/대기 지시등: 기계의 전원을 연결하면 대기 지시등이 켜집니다. 대기 버튼을 누르면 온도, 스피드/틸트 및 시간 기능이 작동됩니다. 대기 지시등이 꺼지고 온도, 스피드/틸트 및 시간 디스플레이가 켜집니다. 대기 버튼을 다시 한 번 누르면 기계가 다시 대기 모드에 들어갑니다.
- B. 온도 디스플레이: 실제/설정 값 온도 지시등과 함께 실제/설정 값 온도를 표시합니다. C. 설정 값 조절을 위한 위/아래 화살표. 켜짐/꺼짐 버튼은 가열 기능을 시작/정지시킵니다. D. 가열 지시등은 기계가 가열될 때 켜집니다.
- E. 실제 지시등: 챔버 내의 공기의 실제 기온이 나타난 온도와 같을 때 켜집니다.
- F. 설정 값 지시등: 설정 값 온도가 나타날 때 켜집니다.
- G. 고온 경고 지시등: 챔버 내의 공기의 온도가 40°C (104°F) 이상일 때 켜집니다.

- H. 스피드/틸트 디스플레이: 기계의 스피드 및 틸트를 나타냅니다. I. 설정 값 조절을 위한 위/아래 화살표. 켜짐/꺼짐 버튼은 락커/웨이브 기능을 시작/정지시킵니다. J. 스피드/틸트 지시등은 기계의 락커/웨이브 기능이 작동하고 있을 때 켜집니다.
- K. 기능 버튼: 스피드 또는 틸트 중에 설정하고자 하는 기능을 선택할 때 누르십시오.
- L. 스피드 지시등: 속도가 나타날 때 지시등이 켜집니다.
- M. 틸트 지시등: 틸트 경사각이 나타날 때 켜집니다.
- N. 시간 디스플레이: 누적된 시간을 표시하거나 (연속 모드) 또는 남아있는 시간이 얼마인지 표시합니다 (시한 모드). O. 설정 값 조절을 위한 위/아래 화살표. 켜짐/꺼짐 버튼은 시간 기능을 시작/정지시킵니다. 디스플레이 범위는 0에서 9999분으로 일 (1)초씩 증가합니다. 디스플레이는 타이머가 99분 59초 (99:59)에 도달할 때까지 분과 초로 표시되고 그 후 자동으로 9999까지는 분으로 나타냅니다.

## 인큐베이터 락커 사양

총 규격 (L x W x H):	16.5 x 10.1 x 10.8" (41.9 x 25.7 x 27.4cm)
내부 규격 (L x W x H):	10.75 x 7.75 x 3.8" (27.3 x 19.7 x 9.7cm)
트레이 규격 (L x W):	10 x 7.5" (25.4 x 19.1cm)
전기 (50/60 Hz):	120 volts AC, 3.74 amps, 420 watts 230 volts AC, 1.87 amps, 420 watts
퓨즈:	5mm x 20mm, 5 amp 고성능
온도 범위:	주변보다 +5° 에서 65°C
온도 균일도:	37°C 에서 +/-0,5°C
속도 범위:	1 에서 50rpm*
속도 정확도:	±1rpm
틸트 경사각:	0 에서 15°*
중량 적재량:	10 lb (4.5 kg)**
타이머:	디지털, 1초에서 9999분 (1초씩 증가)
컨트롤:	90 페이지 참고
트레이 소재:	알루미늄
적재량:	13.5lbs (6.1 kg)

\* 최고 스피드/틸트 경사각은 무겁거나 불균형한 로드에서 따라 달라질 수 있습니다.

\*\* 트레이의 중심에 놓여졌을 경우.

## 인큐베이터 웨이버 사양

총 규격 (L x W x H):	16.5 x 10.1 x 10.8" (41.9 x 25.7 x 27.4cm)
내부 규격 (L x W x H):	10.75 x 7.75 x 3.4" (27.3 x 19.7 x 8.6cm)
트레이 규격 (L x W):	9.25 x 7.25" (23.5 x 18.4cm)
전기 (50/60 Hz):	120 volts AC, 3.74 amps, 420 watts 230 volts AC, 1.87 amps, 420 watts
퓨즈:	5mm x 20mm, 5 amp 고성능
온도 범위:	주변보다 +5° 에서 65°C
온도 균일도:	37°C 에서 +/-0,5°C
속도 범위:	1 에서 30rpm*
속도 정확도:	±1rpm
틸트 경사각:	0 에서 20°*
중량 적재량:	5 lb (2.3 kg)**
타이머:	디지털, 1초에서 9999분 (1초씩 증가)
컨트롤:	90 페이지 참고
트레이 소재:	알루미늄
적재량:	14.5lbs (6.6kg)

\* 최고 스피드/틸트 경사각은 무겁거나 불균형한 로드에서 따라 달라질 수 있습니다.

\*\* 트레이의 중심에 놓여졌을 경우.

## 인큐베이터 락커/웨이브 작동법

오하우스 인큐베이터 락커/웨이브는 실험을 위해 사용되는 샘플을 준비하기 위한 것입니다. 이 기계들은 온도, 스피드/틸트 및 시간 기능들이 각각 독립적으로 작동하도록 설계되었습니다. 온도 및 스피드/틸트는 타이머를 재설정하지 않고도 재설정 할 수 있고 타이머는 가열 또는 락커/웨이브 기능을 중단시키지 않고 시작 및 정지시킬 수 있다.

### 1. 준비하기:

- 올바르게 접지된 콘센트에 전원코드를 꽂으십시오. 대기 지시등이 켜지고 기계에 전원이 들어왔음을 확인할 수 있습니다. 손으로 플랫폼 트레이를 가까운 수평의 "홈" 위치로 이동시킨 후 기계의 전원을 켜십시오.
- 기계를 대기모드에서 전환시키기 위해서는 대기 버튼을 누르십시오. 대기 지시등이 꺼지고 온도, 스피드/틸트 및 시간 디스플레이가 켜지고 이 전에 사용된 설정 값이 나타납니다.



### 온도 설정:

- 온도 디스플레이 아래에 있는 위/아래 화살표를 눌러 원하는 온도를 설정하십시오. 누르고 있던 화살표 버튼에서 손을 떼면 디스플레이가 꺼졌다가 켜지면서 새로운 온도 설정이 되었음을 나타냅니다.
- 가열 기능의 켜짐/꺼짐 버튼을 누르십시오. 온도 디스플레이 아래에 있는 지시등이 켜지고 가열 기능이 사용되고 있음을 나타냅니다. 설정 온도에 도달하면 다섯 (5)번의 빠른 소리가 납니다.
- 설정 값 온도는 가열상태를 중단시키지 않고 온도 디스플레이 아래에 있는 위/아래 화살표를 사용하여 조정할 수 있습니다. 변경 후 버튼을 누르고 있던 손을 떼면 디스플레이가 꺼졌다가 켜지면서 새로운 온도 설정이 되었음을 나타냅니다.
- 가열 기능을 멈추기 위해서는 온도 디스플레이 아래에 있는 켜짐/꺼짐 버튼을 누르면 가열 지시등이 꺼집니다.

### 고온 경고 지시등:

고온 경고 지시등은 챔버 내의 공기 온도가 40°C일 때를 경고하기 위한 것입니다. 챔버 내의 공기 온도가 약40°C가 되면 등에 불이 들어오고 켜진 상태를 유지합니다. 가열기능이 꺼지면 챔버 내의 공기 온도가40°C 이하로 내려갈 때까지 고온 경고 지시등이 켜진 상태를 유지합니다.



- 틸트 설정하기: 전자적 틸트는 기계가 흔들리고 있거나 또는 멈출 때 트레이 움직임의 경사각을 사용자가 조절할 수 있도록 해줍니다.
  - 틸트 지시등에 불이 들어올 때 까지 스피드/틸트 디스플레이 아래에 있는 기능 버튼을 누르십시오. 이제 틸트 경사각을 설정할 준비가 되었습니다.
  - 원하는 경사각에 도달할 때 까지 스피드/틸트 디스플레이 아래에 있는 위/아래 화살표를 누르십시오. 누르고 있던 화살표 버튼에서 손을 떼면 디스플레이가 꺼졌다가 켜지면서 새로운 경사각이 설정 되었음을 나타냅니다. 기계는 이 전 설정 경사각으로 한 회 회전한 후 자연스럽게 새로 설정된 경사각으로 변경합니다. 새 틸트 경사각으로의 변경이 완료될 때까지 틸트 지시등이 반짝거립니다.
- 속도 설정하기:
  - 스피드 지시등에 불이 들어올 때까지 스피드/틸트 디스플레이 아래에 있는 기능 버튼을 누르십시오. 이제 스피드를 설정할 준비가 되었습니다.
  - 원하는 속도가 나타날 때 까지 스피드/틸트 디스플레이 아래에 있는 위/아래 화살표를 누르십시오. 누르고 있던 화살표 버튼에서 손을 떼면 디스플레이가 꺼졌다가 켜지면서 새로운 속도가 설정 되었음을 나타냅니다.
  - 락커/웨이브 기능을 시작하기 위해서는 켜짐/꺼짐 버튼을 누르십시오. 설정된 속도로 변경될 때까지 스피드/틸트 디스플레이 아래에 있는 지시등이 반짝거리다가 락커/웨이브 기능이 사용되고 있음을 나타내도록 지시등이 켜진 상태를 유지하게 됩니다.

## 인큐베이터 락커/웨이브 사용 설명서 (이어서)

- d. 락커/웨이브 기능을 정지시키기 위해서는 스피드/틸트 디스플레이 아래에 있는 켜짐/꺼짐 버튼을 누르십시오. 기계는 한 회의 회전을 완료한 후 수평의 “흠” 위치에서 멈추게 됩니다. 회전이 완료될 때까지 스피드 지시등이 반짝이게 됩니다. 사이클이 완료되면 기계는 자동으로 대기 모드로 이동하고 대기 지시등에 불이 들어옵니다.

### 작동법 팁

기계가 느린 속도 또는 높은 경사각의 상태에서 작동할 때는 틸트 경사각 또는 속도에 큰 변화를 주면 설정이 완료될 때까지 몇 분이 소요될 수 있습니다. 속도 또는 틸트 경사각에 큰 변화를 주기 위한 가장 빠른 방법은 기계를 정지시킨 후 속도 또는 틸트 경사각을 변경한 후 스피드/틸트 디스플레이 아래에 있는 켜짐/꺼짐 버튼을 눌러 재시작 하는 것입니다.

5. 시간을 제로 (0:00) 및 지속 모드로 설정하기: 누적 시간.
- 시간 디스플레이 아래에 있는 켜짐/꺼짐 버튼을 길게 누르십시오. 상(3) 초 후 디스플레이에는 이 전 설정 시간이 표시될 것입니다.
  - 동시에 위와 아래 화살표를 누르면 디스플레이에 제로(0:00)가 나타납니다. 이제 기계 시간이 제로(0:00)분으로 설정된 것입니다. 대안으로 위/아래 화살표를 사용하여 제로 (0:00)가 되도록 할 수도 있습니다.
  - 시간 디스플레이 아래에 있는 켜짐/꺼짐 버튼을 누르십시오. 디스플레이에는 누적 시간이 나타납니다. 위/아래 화살표는 비활성화됩니다. 중요: 이 것이 락커/웨이브 기능을 중단시키지는 않습니다. 락커/웨이브 기능을 중단시키기 위해서는 스피드/틸트 디스플레이 아래에 있는 켜짐/꺼짐 버튼을 누르십시오.
  - 재설정 하기 위해서는 시간 디스플레이 아래에 있는 켜짐/꺼짐 버튼을 길게 누르십시오. 상(3)초 후 디스플레이에는 제로 (0:00)로 설정되어 있던 이 전 설정 시간이 나타납니다.
6. 시한 모드 설정하기: 설정된 시간.
- 시간 디스플레이 아래에 있는 위/아래 화살표를 눌러 원하는 시간을 설정하십시오.

- 시간 디스플레이 아래에 있는 켜짐/꺼짐 버튼을 눌러 이 기능을 시작하십시오. 기계는 선택된 시간 동안 작동하며 타이머가 작동하는 동안에는 위/아래 화살표가 비활성화됩니다. 시간 디스플레이가 제로 (0:00)에 도달하면 락커/웨이브 기능이 멈춥니다. 네 (4)번의 삐 소리가 이 시한 기능이 완료되었음을 알립니다. 시간 디스플레이는 설정된 시간으로 다시 돌아가게 됩니다. 동일한 시간을 반복하기 위해서는 켜짐/꺼짐 버튼을 한 번 누르십시오.
- 자동 시간 사이클이 완료되기 전에 중단시키기 위해서는 시간 디스플레이 아래에 있는 켜짐/꺼짐 버튼을 누르십시오. 시간 디스플레이가 반짝거리면서 시간 기능이 “정지”되었음을 나타냅니다. 중요: 이 것이 락커/웨이브 기능을 중단시키지는 않습니다. 락커/웨이브 기능을 중단시키기 위해서는 스피드/틸트 디스플레이 아래에 있는 켜짐/꺼짐 버튼을 누르십시오. 시간 디스플레이 아래에 있는 켜짐/꺼짐 버튼을 눌러 타이머를 재시작 하면 기계는 계속해서 제로 (0:00)가 될 때까지 카운트다운을 하게 됩니다. 디스플레이가 제로 (0:00)에 도달하면 시한 기능이 완료되었음을 알리는 네(4)번의 삐 소리가 날 것이고 락커/웨이브 기능이 멈추게 됩니다.

### 7. 기계 끄는 법:

- 기계를 끄려면 대기 버튼을 누르십시오. 온도, 스피드/틸트 및 시간 디스플레이는 꺼지고 대기 지시등에 불이 들어오게 됩니다. 인큐베이터 락커/웨이브를 사용하지 않을 때에는 대기모드를 유지해야 합니다. 기계로 흐르는 전력을 완전히 끊기 위해서는 전원코드를 기계에서 분리시키거나 벽의 콘센트에서 전원코드를 분리시키십시오.

### 작동 정보

전원공급의 중단 시에는 내장된 메모리가 가장 최근에 사용된 온도, 스피드/틸트 및 시간설정을 유지합니다.

플랫폼 트레이가 락커/웨이브 기능을 하지 못하게 된다거나 또는 기계가 권장되는 총량 적재량이 초과되었을 경우에는 내장된 프로그램이 모터로 공급되는 전력을 끊습니다.

## 문제해결

작동 중에 나는 달가닥 소리 또는 딱딱거리는 소리는 플랫폼 트레이, 트레이 부착물 또는 부품에 풀린 나사가 있음을 의미하는 것일 수도 있습니다. 기계를 가동 시키기 전에는 모든 부품이 충분히 조여져 있어야 합니다.

오류	오류의 원인	고치는 방법
E1	RTD 가 열려있거나 인큐베이터 기계의 온도가 100°C (212°F) 이상일 경우	이 오류는 사용자가 고칠 수 없는 것입니다. 기계의 전원코드를 빼고 수리를 위해 오후 하우스 대리점에 연락하십시오.
E2	RTD 단락 또는 인큐베이터 기계의 온도가 0°C (32°F) 이하일 경우	이 오류는 사용자가 고칠 수 없는 것입니다. 기계의 전원코드를 빼고 수리를 위해 오후 하우스 대리점에 연락하십시오.
E3	기계적 방해 정지된 모터 끊어진 드라이브 벨트	오류를 제거하기 위해 대기 버튼을 누르십시오. E03 오류가 지속되고 삐걱거리는 소리, 달각거리는 소리 또는 끌리는 소리가 나면 기계의 전원코드를 빼고 수리를 위해 오후 하우스 대리점에 연락하십시오. 기계가 작동하는 동안 부주의하게 플랫폼 트레이를 건드리는 등의 잘못된 E03오류의 경우에는 기계가 자동으로 수평적 “흠” 위치로 이동하고 재시작 하게 됩니다. 트레이 아래에 작동을 방해하는 방해물이 있어 기계가 지속적으로 재시작 되는 경우에는 기계가 자동 흠 및 재시작을 네(4)번 행한 후 작동을 멈추고 E03오류를 표시할 것입니다. 이 오류는 사용자가 대기 버튼을 눌러 해제할 수 있습니다.
E4	최대 적재 초과	대기 버튼을 눌러 오류를 해제하십시오. 기계를 재시작 하기 전에 중량이 최대 적재량 사양 이내에 있음을 확인하십시오. 문제가 지속되면 기계의 전원코드를 빼고 수리를 위해 오후 하우스 대리점에 연락하십시오.



Ohaus Corporation  
7 Campus Drive  
Suite 310  
Parsippany, NJ 07054 USA  
Tel: +1 (973) 377-9000  
Fax: +1 (973) 944-7177

With offices worldwide.  
[www.ohaus.com](http://www.ohaus.com)



SAP P/N: 30391127

P/N: 715306-00

© 2017 OHAUS Corporation, all rights reserved