



Microplate Vortex Mixers



The Ideal Solution for Dependable Vortex Mixing of Microplates

OHAUS Microplate Vortex Mixers are perfect for mixing microplates throughout the speed range. All models are designed for continuous-duty use in the lab. Digital models offer a timer and exact speed control for applications that demand repeatable results and non-digital variable speed models are an economical alternative. The high-speed and small orbit of these mixers make them optimal for effectively mixing microplates.

Standard Features:

- Safe to mix at high speeds - the innovative locking design of the microplate accessories allows these mixers to safely operate throughout the entire speed range.
- These mixers utilize a high quality German-manufactured motor allowing for reliable, continuous-duty operation at any speed.
- Robust digital and non-digital models offer effective speed control from low rpm for gentle shaking to high-speed mixing for vigorous vortexing of samples.

Microplate Vortex Mixers

| Model | VXMPAL | VXMPDG |
|------------------------|---|---------|
| Control | Analog | Digital |
| Speed Range | On Mode, 300 rpm – 2500 rpm, Touch Mode, 300 rpm – 3500 rpm | |
| Orbit | 0.1 in. / 3.5 mm | |
| Duty Rating | Continuous | |
| Capacity | 2 microplates | |
| Working Environment | 39 °F – 104 °F, 20% – 85% RH*, non-condensing / 4 °C – 40 °C, 20% – 85% RH*, non-condensing | |
| Power | 120V, 0.25A, 50/60Hz | |
| Power Consumption | 30 W | |
| Dimensions (W × L × H) | 5.4 × 10.5 × 4.5 in. / 137 × 266 × 114 mm | |
| Net Weight | 11.7 lb / 5.3 kg | |

*Relative Humidity

Other Standard Features and Equipment

Detachable 3-wire cord and plug (included), single microplate adapter and cup head (included)

Compliance

- **Product Safety:** CAN/CSA C22.2 61010-1, CAN/CSA C22.2 61010-2-051, UL 61010-1
- **Electromagnetic Compatibility:** ICES-003 Class A, FCC Part 15 Class A
- **Compliance Marks:** TÜV SÜD

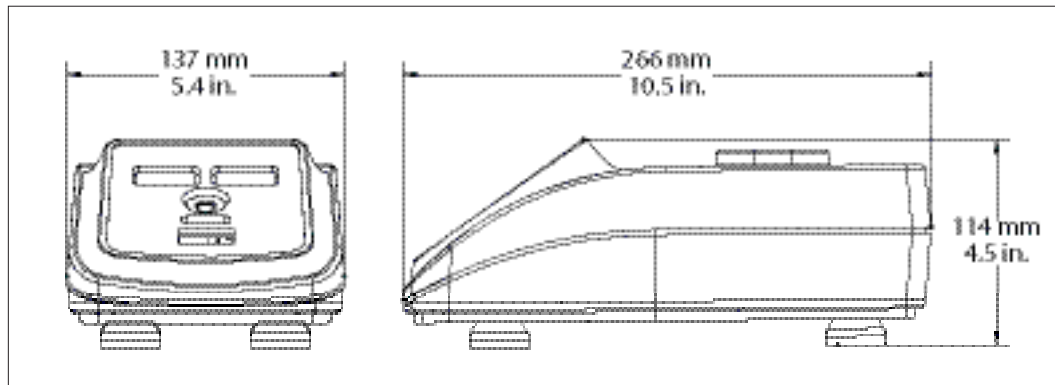
Accessories

Cup Head, VXHD and VXMP Vortex Mixers30400210

Double Microplate Holder30400213

Single Microplate Holder30400215

Dimensions



OHAUS CORPORATION

7 Campus Drive
Suite 310
Parsippany, NJ 07054 USA

Tel: 800.672.7722

973.377.9000

Fax: 973.944.7177

www.ohaus.com

*The management system
governing the manufacture
of this product is
ISO 9001:2015 certified.*

